



US00D915480S

(12) **United States Design Patent** (10) **Patent No.:** **US D915,480 S**
Fiala (45) **Date of Patent:** **** Apr. 6, 2021**

(54) **ROBOT WELDING CELL** 4,639,574 A * 1/1987 Arnoldt B23K 37/0217
 219/125.1
 (71) Applicant: **ABB Schweiz AG**, Baden (CH) 6,772,932 B1 * 8/2004 Halstead B23K 37/0235
 219/125.1
 (72) Inventor: **Rostislav Fiala**, Ostrava (CZ) D602,057 S * 10/2009 Osicki D15/144
 D631,074 S * 1/2011 Peters D15/144
 D822,083 S * 7/2018 De Padova D15/144
 (73) Assignee: **ABB Schweiz AG**, Baden (CH) 2002/0079300 A1 * 6/2002 Baum B08B 3/04
 219/125.1
 (**) Term: **15 Years** 2006/0108342 A1 * 5/2006 Samodell B23K 9/323
 219/125.1
 (21) Appl. No.: **29/707,650** 2007/0235433 A1 * 10/2007 Osicki B23K 9/173
 219/125.1
 (22) Filed: **Sep. 30, 2019** 2013/0119039 A1 * 5/2013 Osicki B25J 21/00
 219/136

(30) **Foreign Application Priority Data**
 Sep. 27, 2019 (EM) 006934956
 (51) **LOC (13) Cl.** **15-09**
 (52) **U.S. Cl.**
 USPC **D15/144**; D15/122
 (58) **Field of Classification Search**
 USPC D15/122, 144, 144.1, 144.2, 199
 CPC B23K 9/12; B23K 9/287; B23K 37/0443;
 B23K 37/0461; B23K 37/0235; B23K
 37/047
 See application file for complete search history.

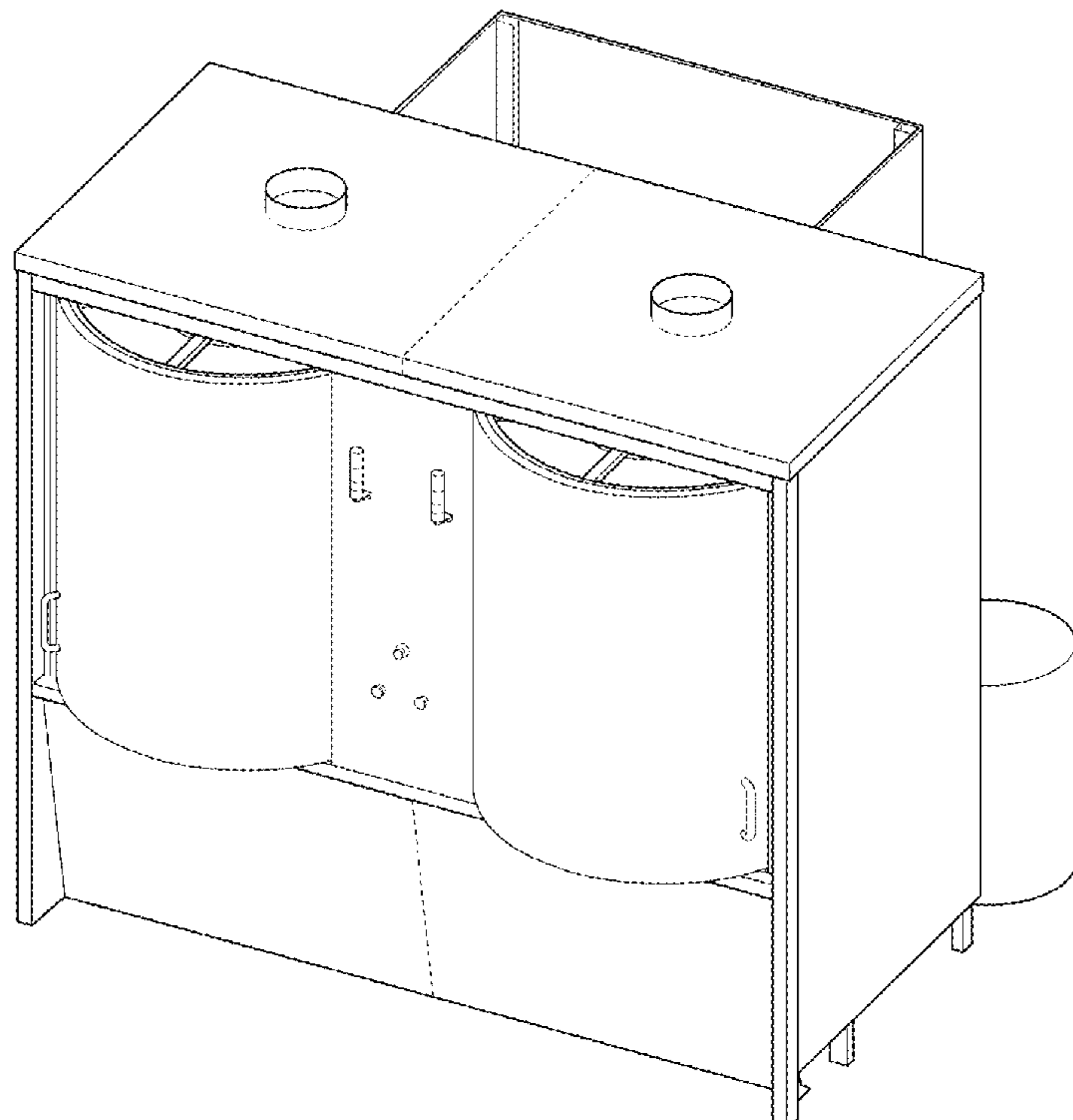
(56) **References Cited**
 U.S. PATENT DOCUMENTS
 3,578,934 A * 5/1971 Beauvais B23K 11/008
 219/56
 D275,292 S * 8/1984 Bouman D15/144
 D275,293 S * 8/1984 Bouman D15/144
 D280,329 S * 8/1985 Bouman D15/144

* cited by examiner
 Primary Examiner — Patricia A Palasik
 (74) Attorney, Agent, or Firm — Whitmyer IP Group LLC

(57) **CLAIM**
 The ornamental design for a robot welding cell, as shown and described.

DESCRIPTION
 FIG. 1 is a front isometric view of a robot welding cell in accordance with the new design;
 FIG. 2 is a rear isometric view thereof;
 FIG. 3 is a left-side elevational view thereof;
 FIG. 4 is a right-side elevational view thereof;
 FIG. 5 is a front elevational view thereof; and,
 FIG. 6 is a top plan view thereof.
 The broken lines showing portions of the robot welding cell form no part of the claimed design.

1 Claim, 6 Drawing Sheets



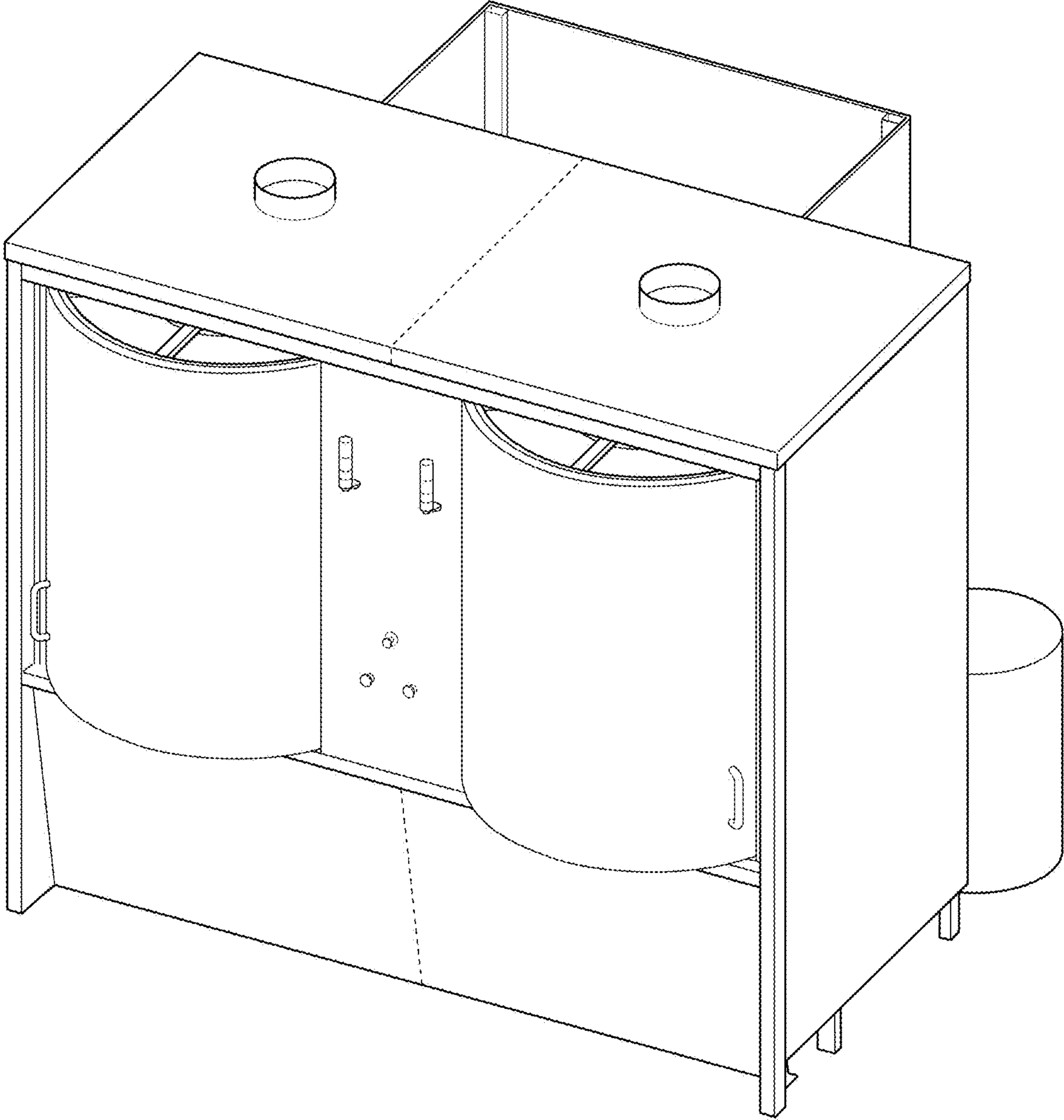


Fig. 1

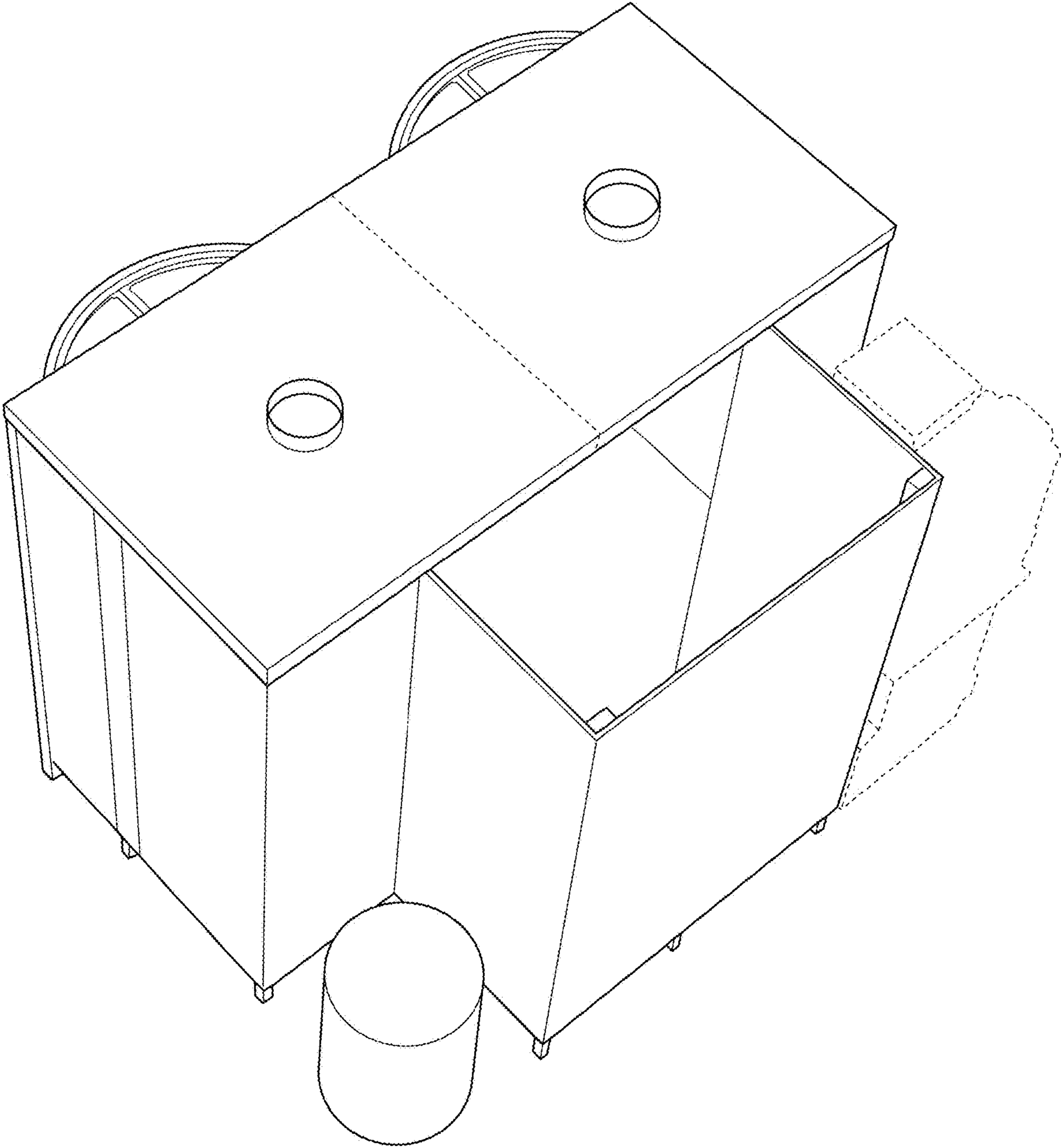


Fig. 2

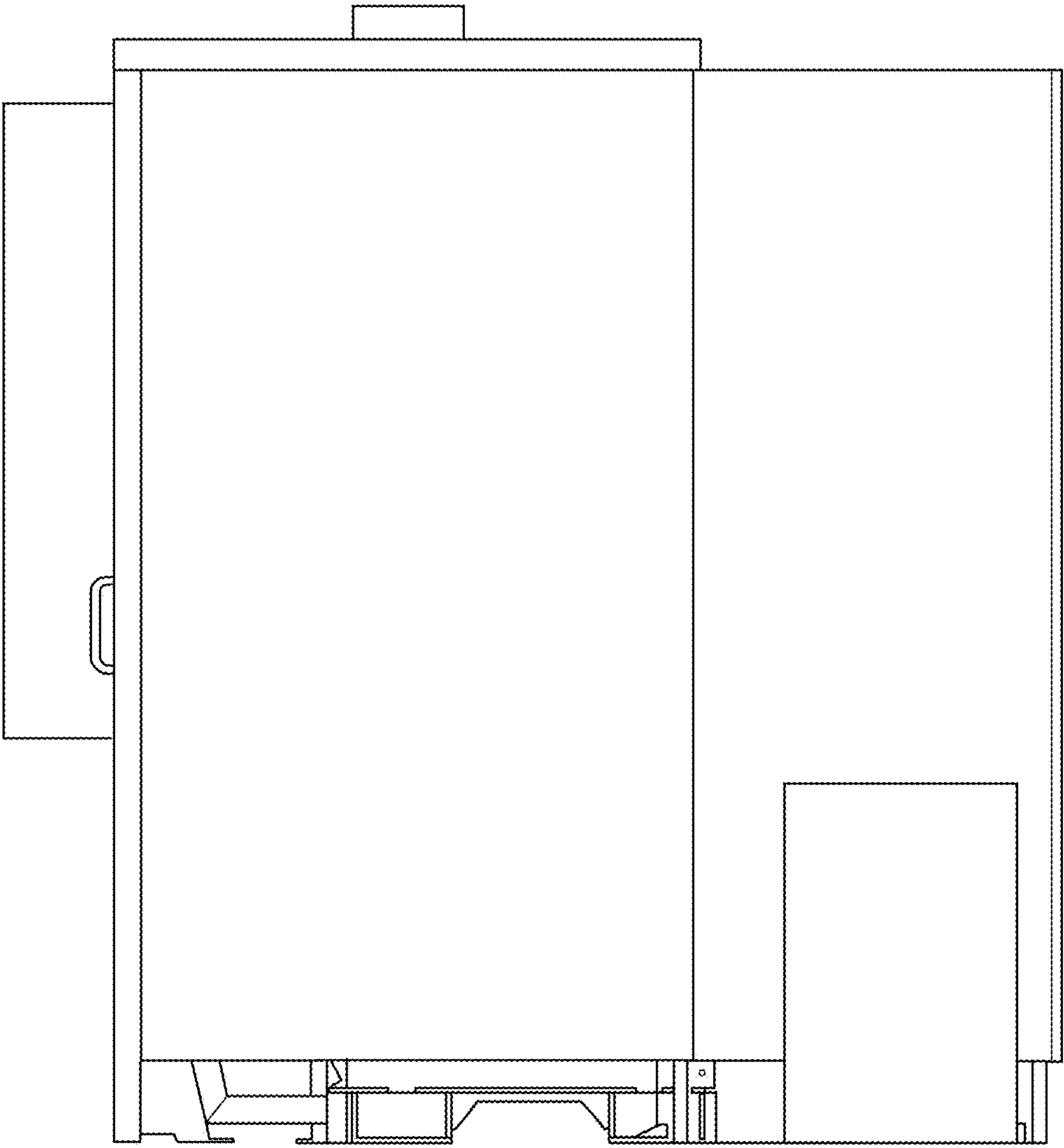


Fig. 3

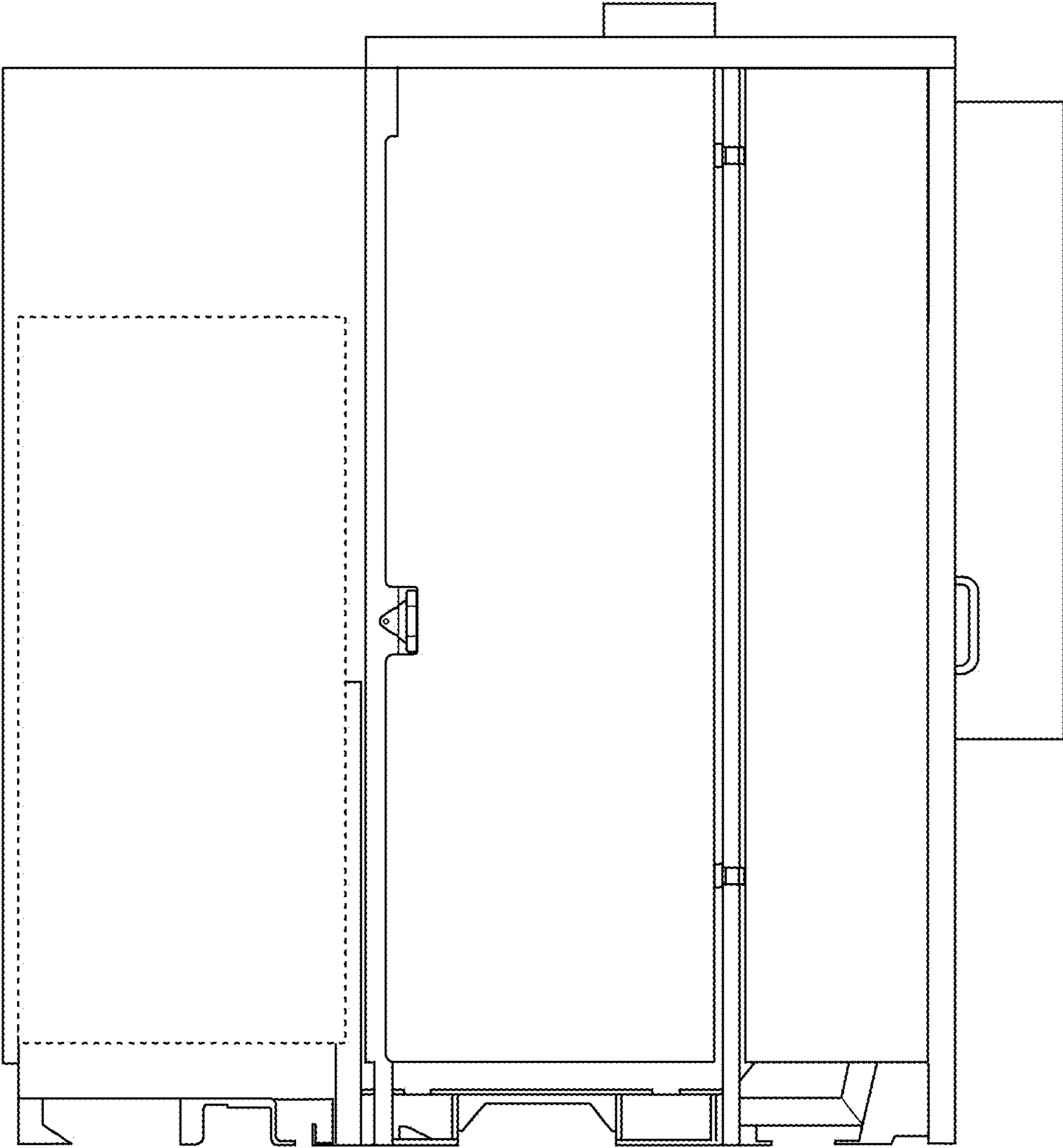


Fig. 4

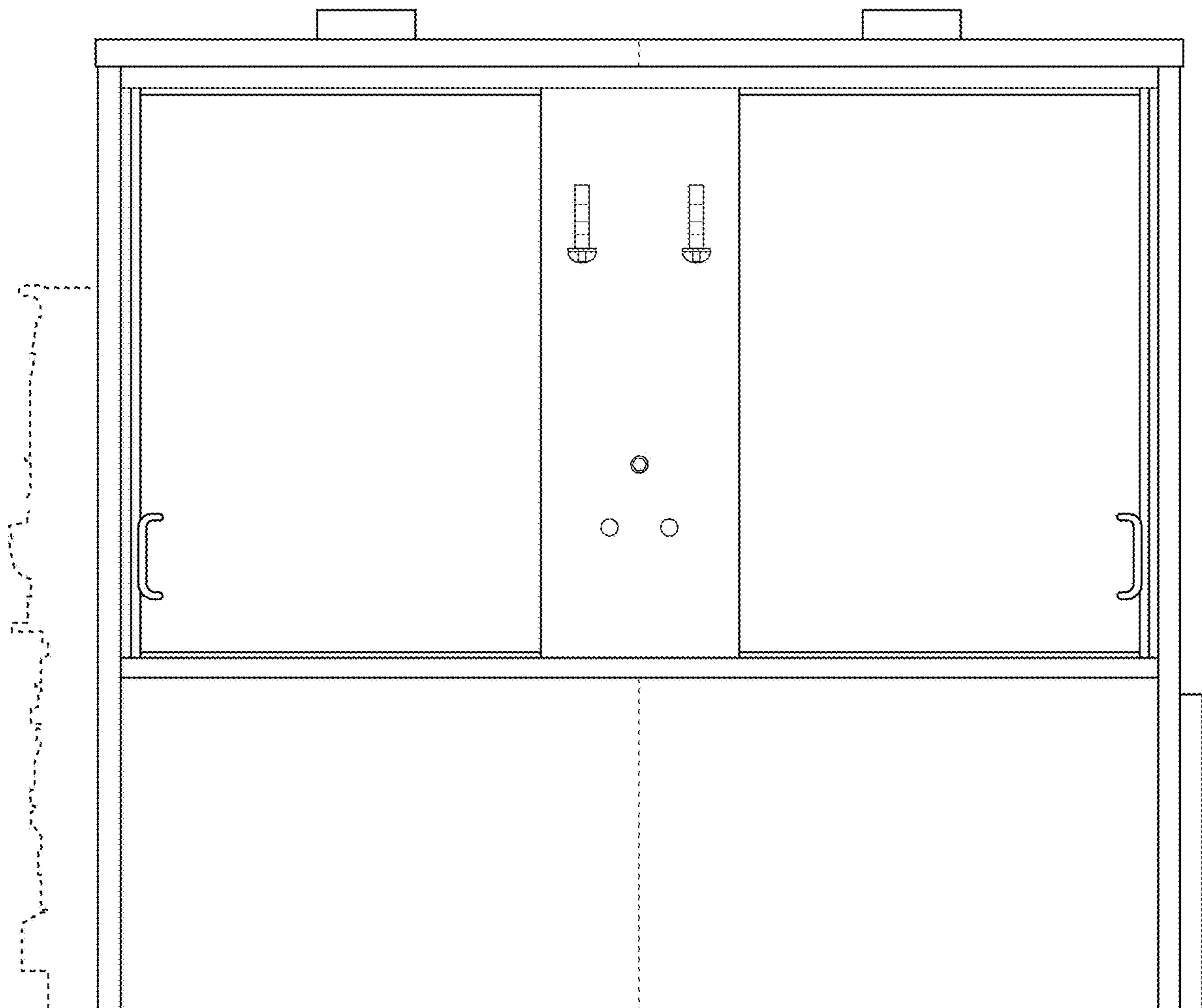


Fig. 5

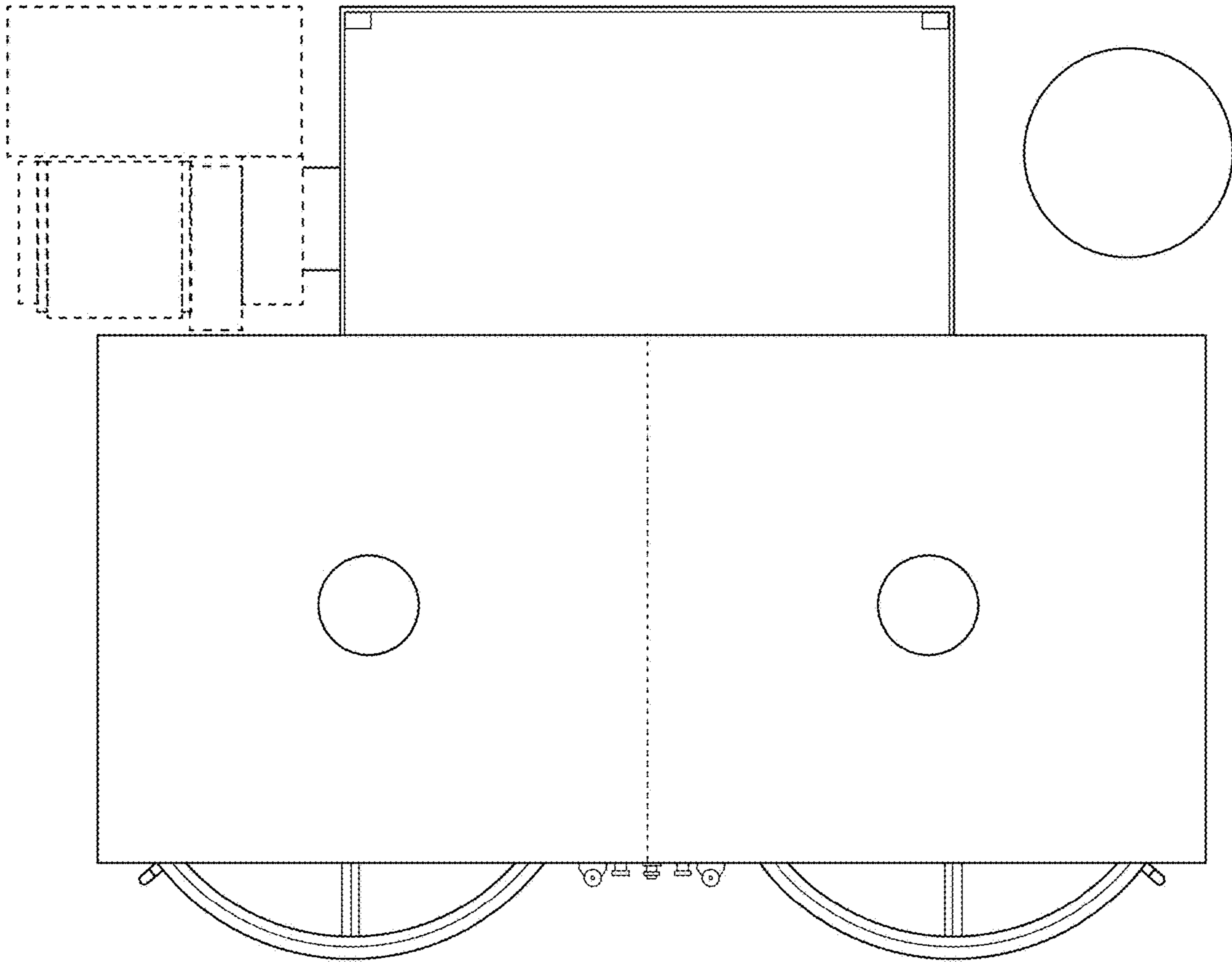


Fig. 6