



US00D915478S

(12) **United States Design Patent** (10) **Patent No.:** **US D915,478 S**
De Geyter (45) **Date of Patent:** **** Apr. 6, 2021**

(54) **MOULD FOR UNIT DOSE POUCH**
(71) Applicant: **The Procter & Gamble Company,**
Cincinnati, OH (US)
(72) Inventor: **Raf Gustaaf Alfons De Geyter,**
Herk-de-Stad (BE)
(73) Assignee: **The Procter & Gamble Company,**
Cincinnati, OH (US)

D881,465 S * 4/2020 Huang D28/8.1
D885,930 S * 6/2020 Witzke D9/705
D896,660 S * 9/2020 Hatton D9/707
D897,216 S * 9/2020 Cho D9/707
D897,217 S * 9/2020 Cho D9/707
D897,218 S * 9/2020 Cho D9/707
D897,860 S * 10/2020 Hatton D9/707
D898,584 S * 10/2020 Mowbray D9/707

(**) Term: **15 Years**

FOREIGN PATENT DOCUMENTS
EP 005233053-001 4/2018
EP 005247582002 4/2019
EP 0052475820001 4/2019
(Continued)

(21) Appl. No.: **29/710,231**

(22) Filed: **Oct. 22, 2019**

(51) **LOC (13) Cl.** **15-09**

(52) **U.S. Cl.**
USPC **D15/136; D28/8.1**

(58) **Field of Classification Search**
USPC D9/425; D15/90, 135-137; D28/8.1, 8.2
CPC C11D 17/041; C11D 17/0052
See application file for complete search history.

OTHER PUBLICATIONS

U.S. Appl. No. 29/710,227, filed Oct. 22, 2019, Raf Gustaaf Alfons De Geyter.
(Continued)

(56) **References Cited**

U.S. PATENT DOCUMENTS

D397,703 S * 9/1998 Williamson D15/136
D426,838 S * 6/2000 Antos D15/136
D599,056 S * 8/2009 Schwartz D28/8.1
D656,668 S * 3/2012 Stone D28/8.1
D732,735 S * 6/2015 Nixon D28/8.1
D744,162 S * 11/2015 Sunder D28/8.1
D760,599 S * 7/2016 Jayakaran D9/732
D821,645 S * 6/2018 Nelemans D28/8.1
D825,847 S * 8/2018 Wissmann D28/8.1
D829,984 S * 10/2018 Gerhards D28/8.1
D832,508 S * 10/2018 Johnson D28/8.1
D838,038 S * 1/2019 Tarnowsky D28/8.1
D844,450 S * 4/2019 Witzke D9/705
D877,215 S * 3/2020 Brandt Sanz D15/136
D880,767 S * 4/2020 Bellomi D28/8.1

Primary Examiner — Michael C Stout
Assistant Examiner — Fritzgerald L Butac
(74) *Attorney, Agent, or Firm* — Gregory S. Darley-Emerson

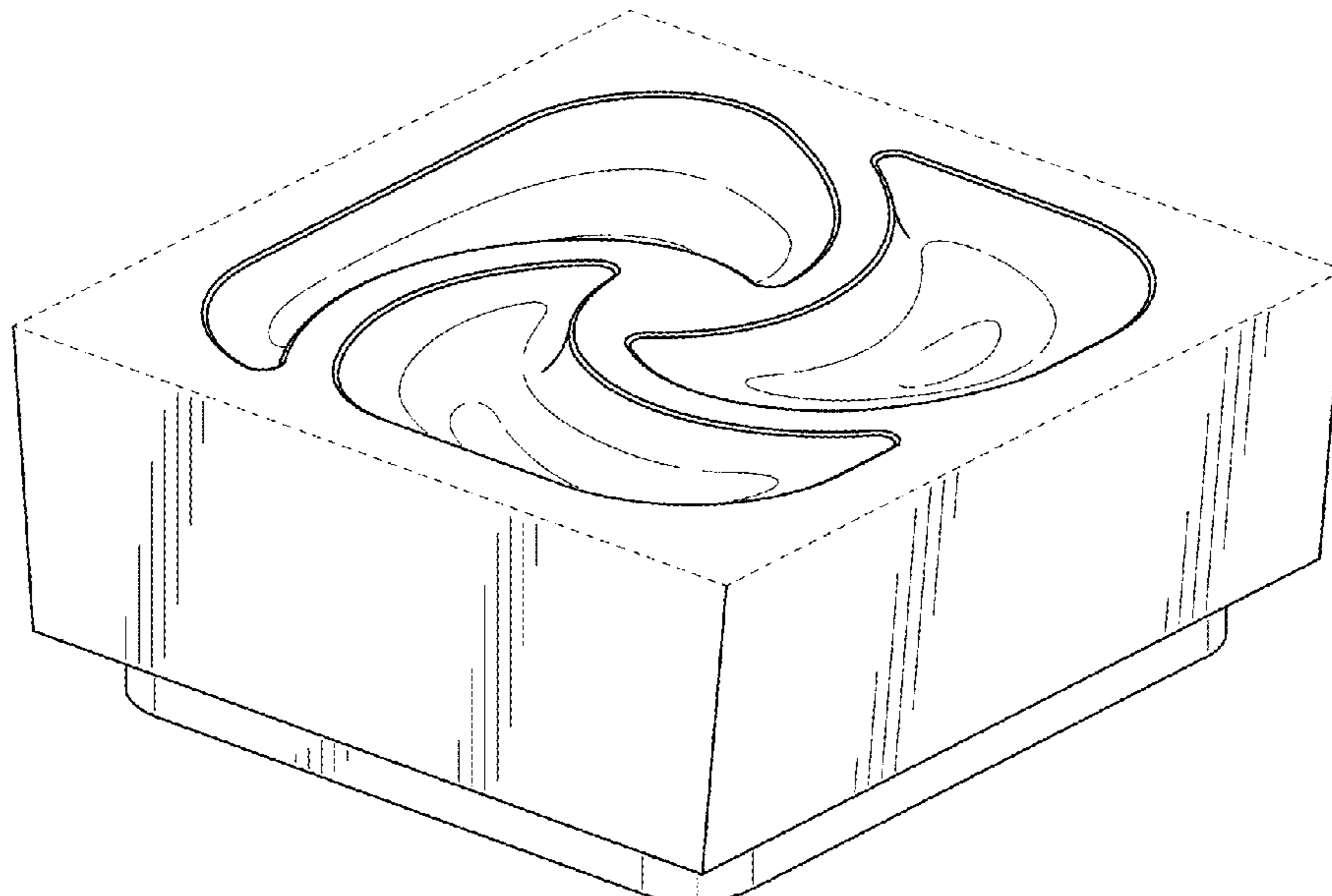
(57) **CLAIM**

The ornamental design for a mould for unit dose pouch, as shown and described.

DESCRIPTION

FIG. 1 is a perspective view of a mould for unit dose pouch;
FIG. 2 is a front view thereof;
FIG. 3 is a rear view thereof;
FIG. 4 is a left side view thereof;
FIG. 5 is a right side view thereof;
FIG. 6 is a top plan view thereof; and,
FIG. 7 is a bottom view thereof.

1 Claim, 5 Drawing Sheets



(56)

References Cited

FOREIGN PATENT DOCUMENTS

EP	003619717	5/2019
EP	003619717-0012	5/2019
KR	3009939250005	2/2019
KR	3009939250006	2/2019

OTHER PUBLICATIONS

Factsheet for Cascade Platinum Press Release published on or before Feb. 2013, 2 pages.

* cited by examiner

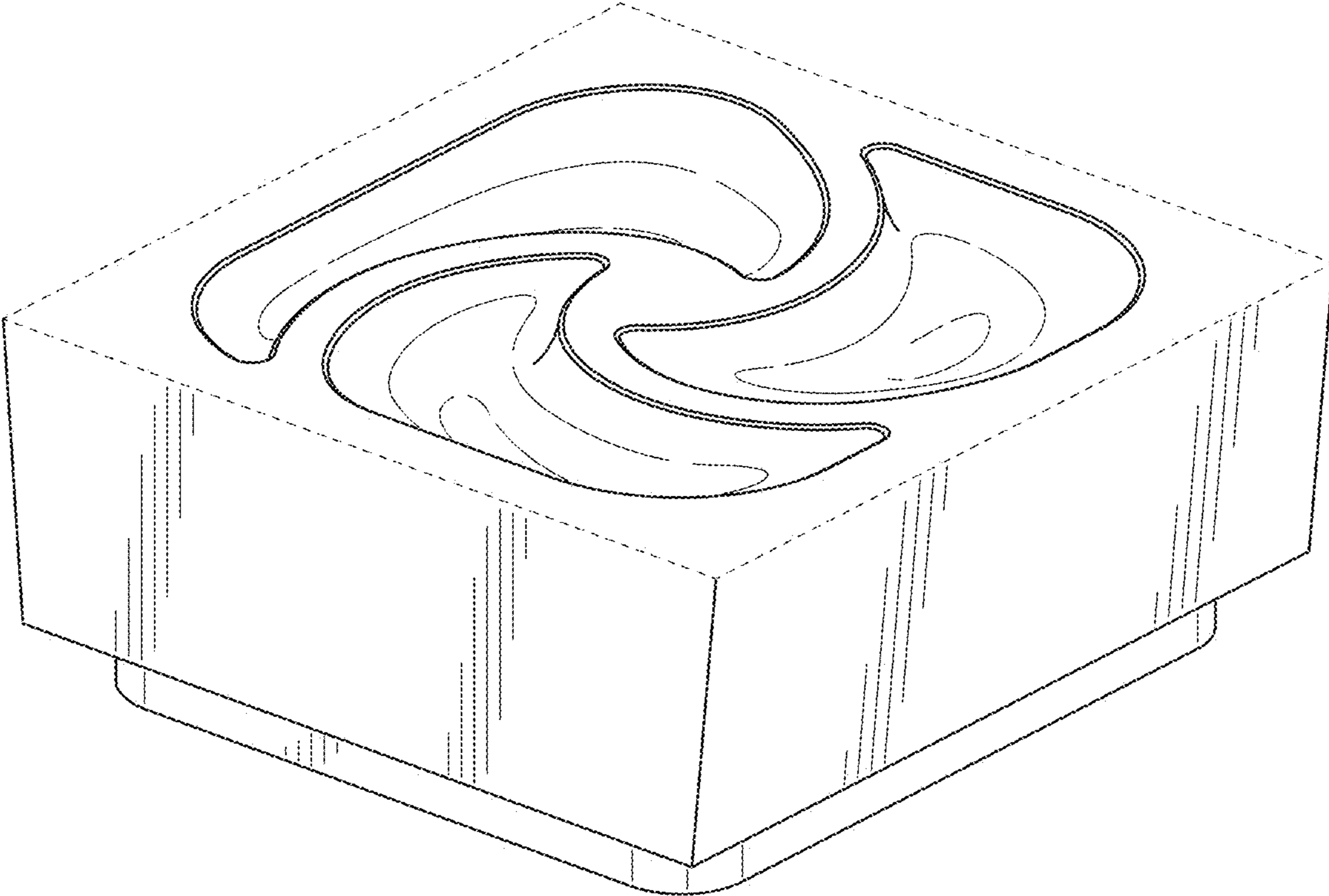


Fig. 1

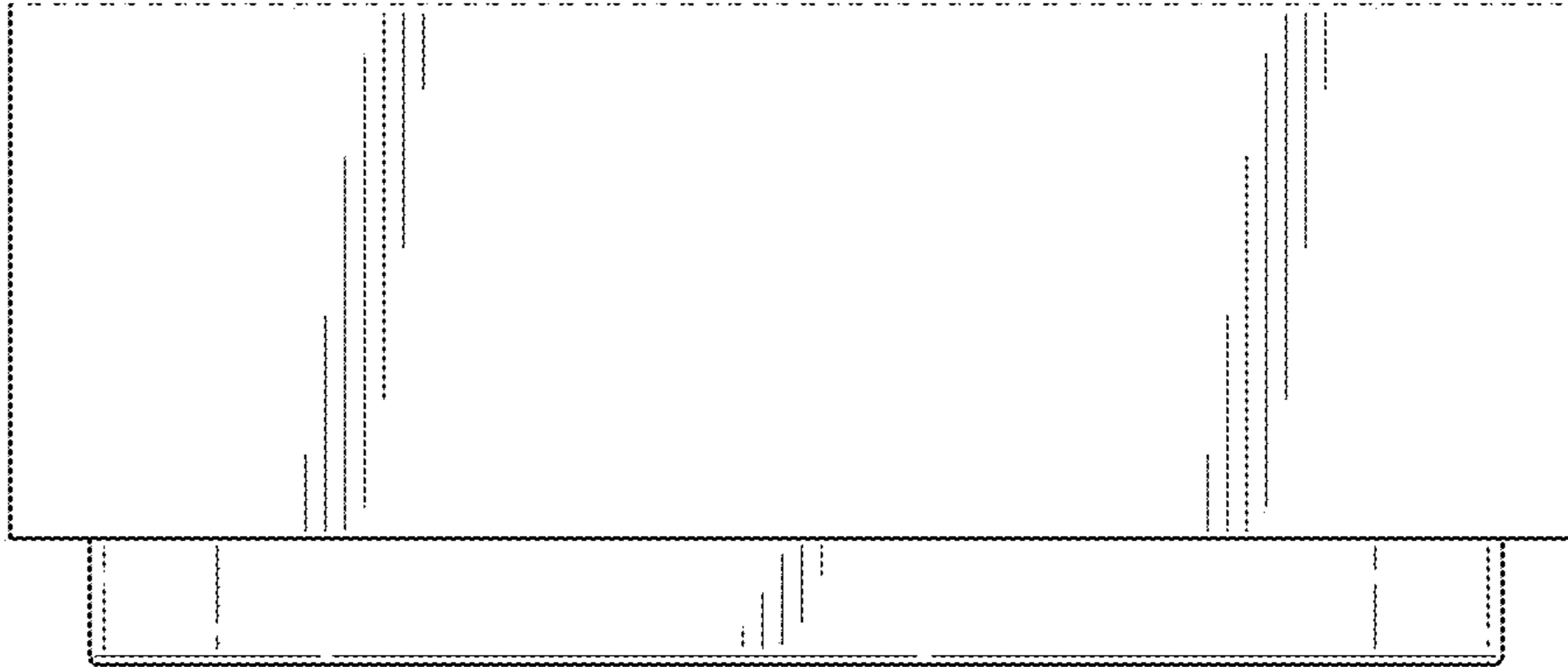


Fig. 2

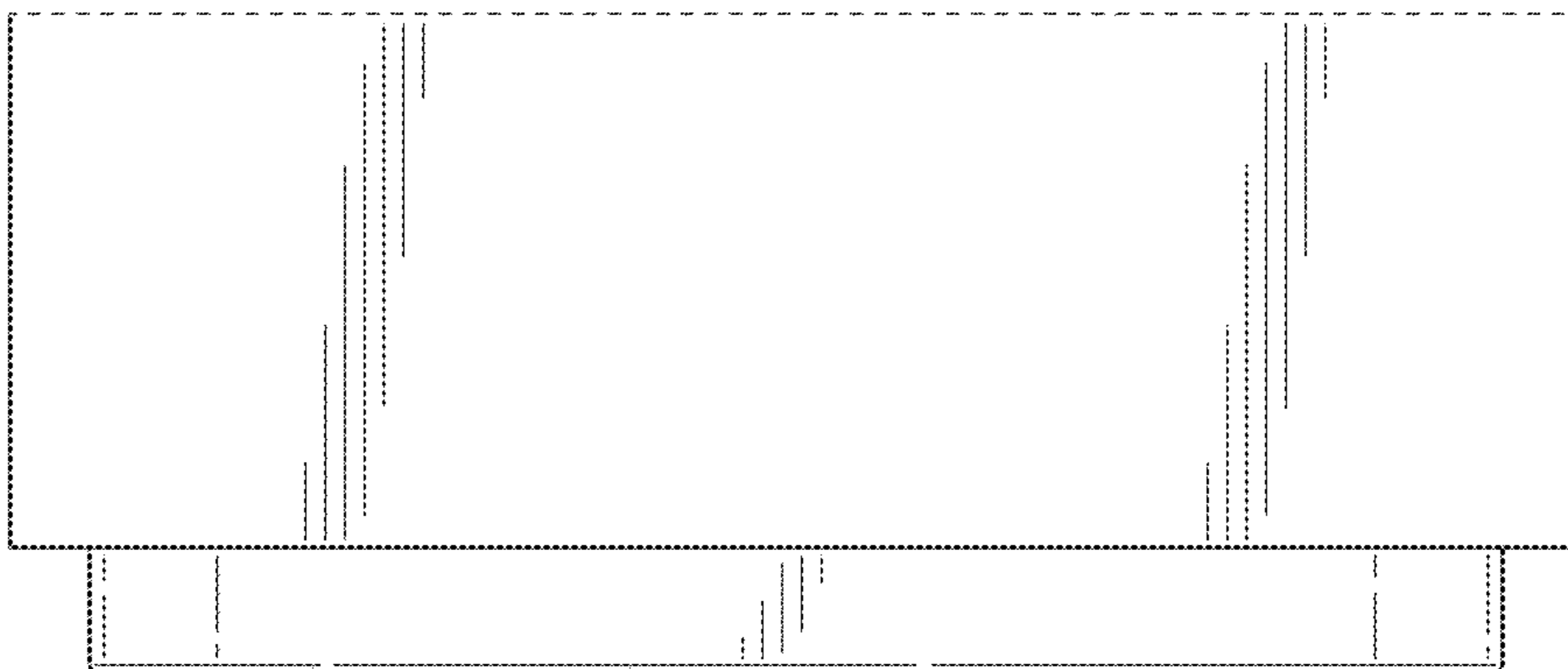


Fig. 3

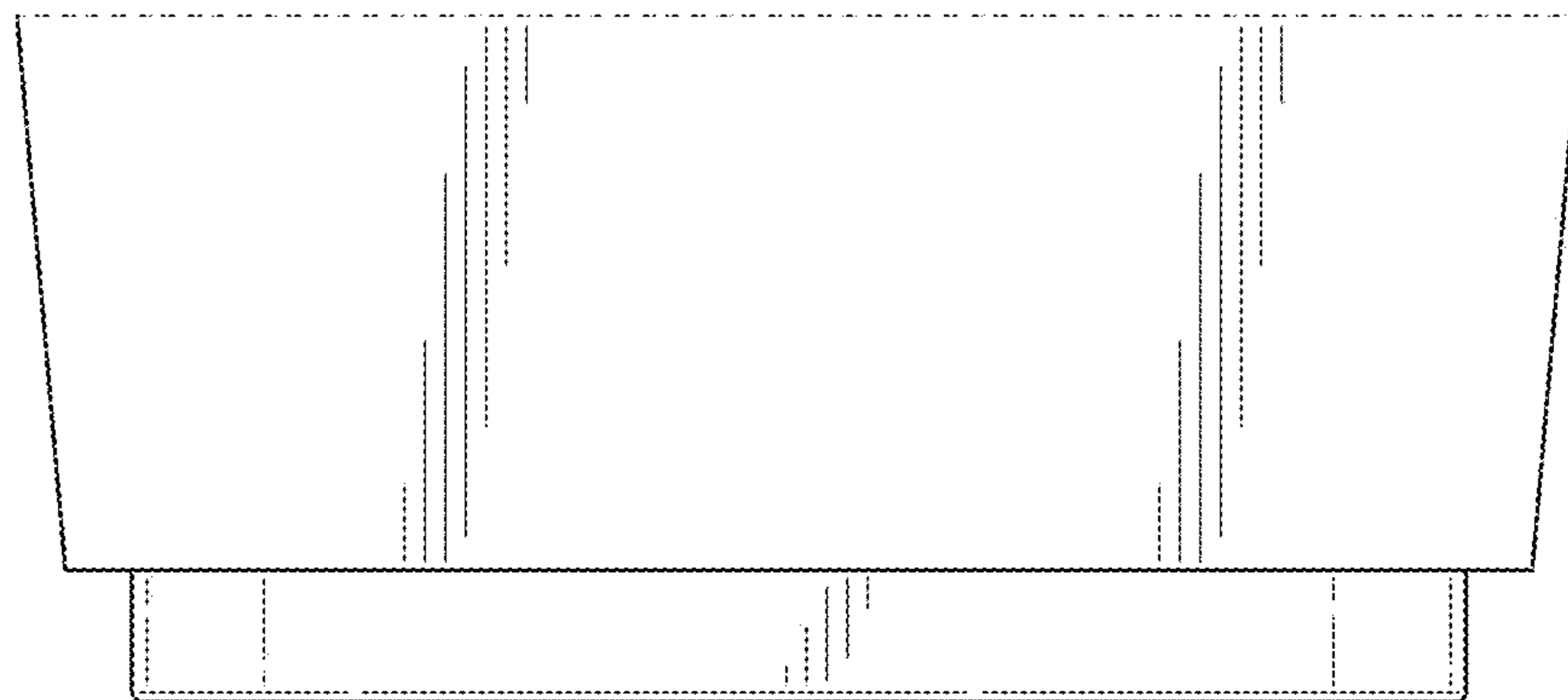


Fig. 4

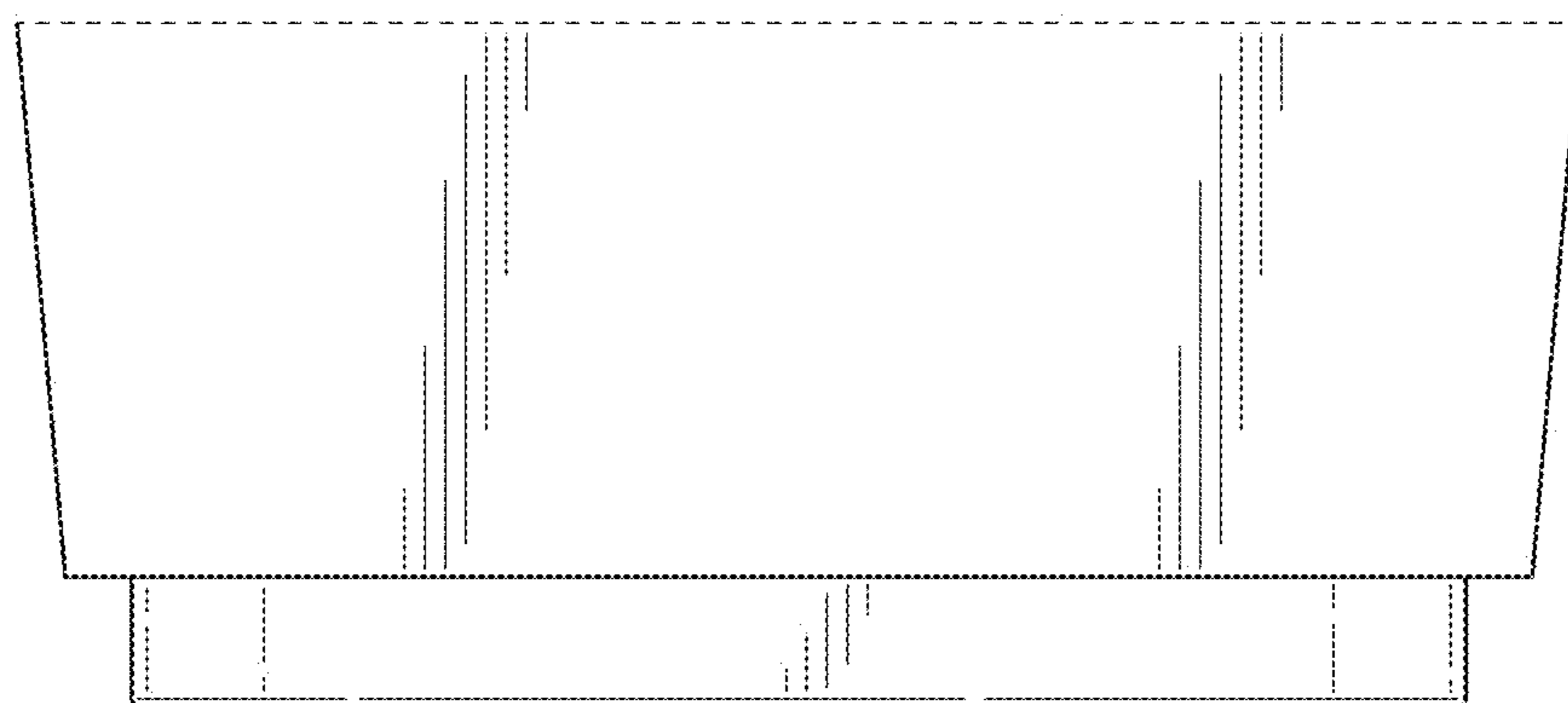


Fig. 5

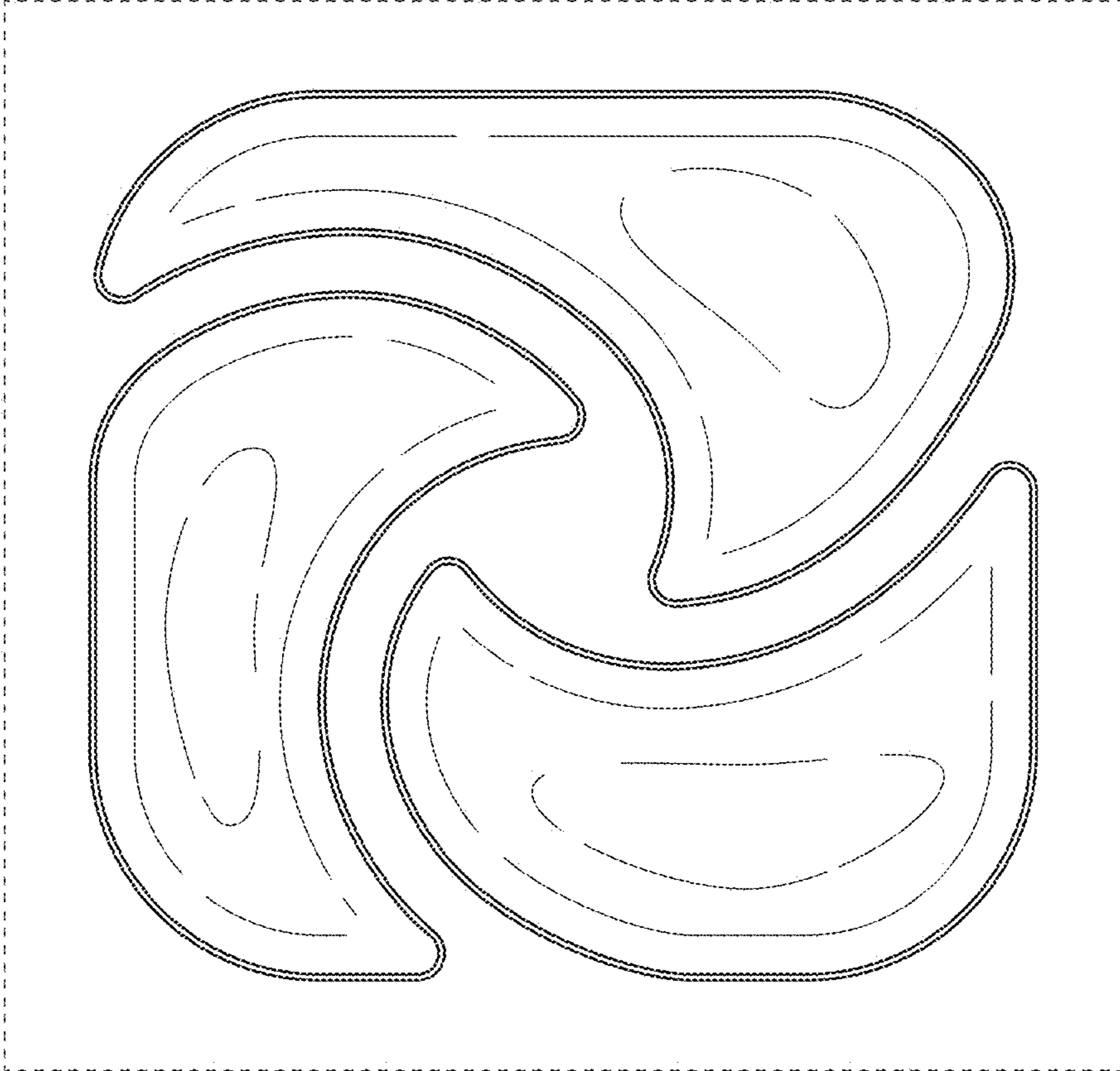


Fig. 6

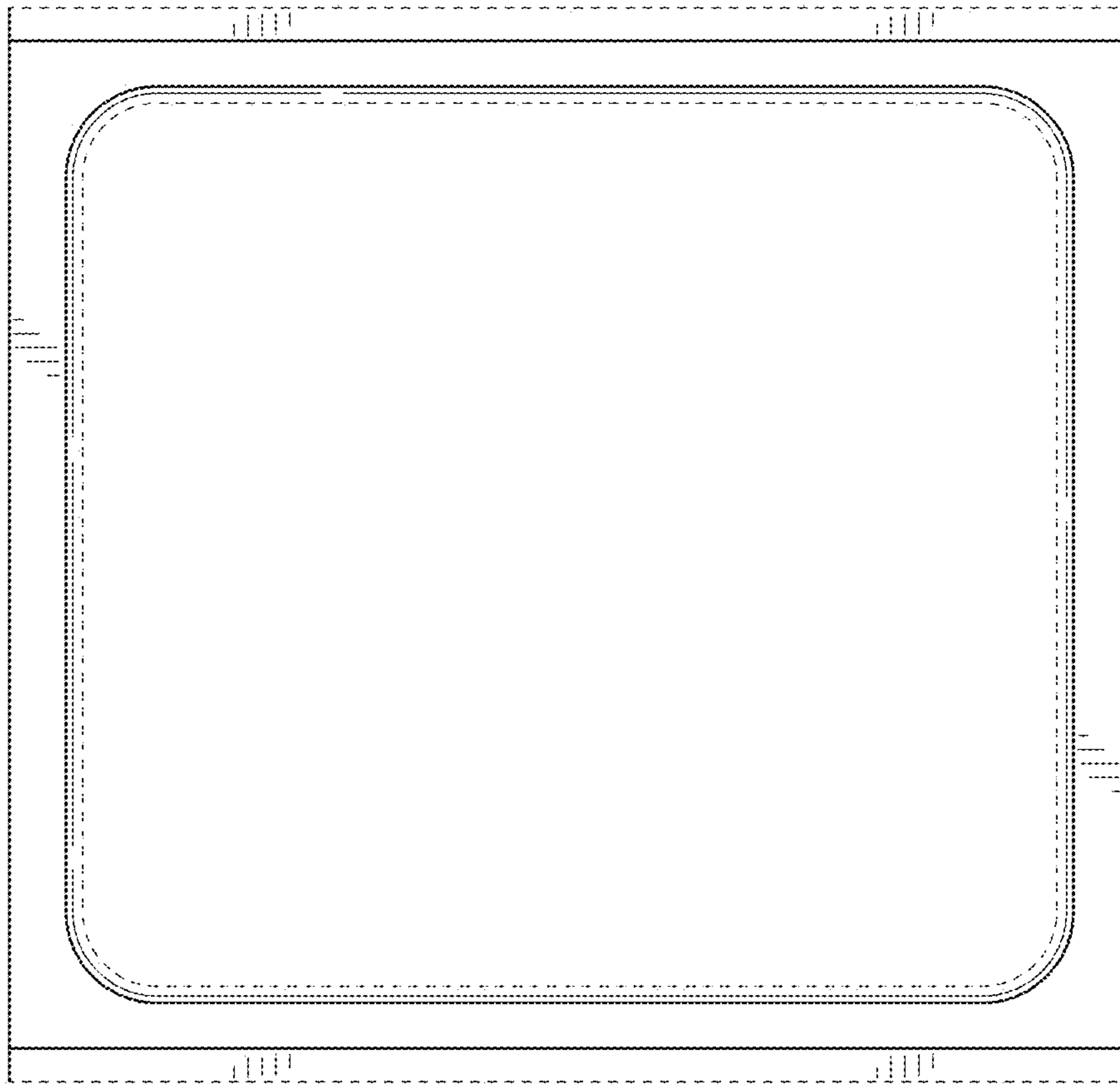


Fig. 7