



US00D915477S

(12) **United States Design Patent**  
**Sbabo**

(10) **Patent No.:** **US D915,477 S**  
(45) **Date of Patent:** **\*\* Apr. 6, 2021**

(54) **3-D PRINTER**

(71) Applicant: **SISMA S.p.A.**, Piovene Rocchette (IT)

(72) Inventor: **Alessandro Sbabo**, Schio (IT)

(73) Assignee: **SISMA S.P.A.**, Piovene Rocchette (IT)

(\*\*) Term: **15 Years**

(21) Appl. No.: **29/695,470**

(22) Filed: **Jun. 19, 2019**

(30) **Foreign Application Priority Data**

Mar. 14, 2019 (EM) ..... 006308615

(51) **LOC (13) Cl.** ..... **15-09**

(52) **U.S. Cl.**  
USPC ..... **D15/122**

(58) **Field of Classification Search**

USPC ..... D15/122, 135; D7/323, 346; D18/53,  
D18/39; D24/163, 219

CPC ..... B29C 64/20; B29C 64/25; B29C 64/118;  
B29C 64/255; B29C 64/336; B29C  
64/386; B29C 64/209; B33Y 30/00;  
B33Y 10/00; B33Y 99/00

See application file for complete search history.

(56) **References Cited**

**U.S. PATENT DOCUMENTS**

D244,200 S \* 5/1977 Ramos ..... D23/369  
D293,366 S \* 12/1987 O'Neil, Jr. .... D23/366  
D597,192 S \* 7/2009 Drucker ..... D23/366  
D722,108 S \* 2/2015 Reches ..... D18/50  
D776,174 S \* 1/2017 Summit ..... D15/122  
D819,821 S \* 6/2018 Yamanaka ..... D24/163  
D828,530 S \* 9/2018 Brandenburg ..... D23/366  
D871,463 S \* 12/2019 Cao ..... D15/122  
D879,850 S \* 3/2020 Wolf ..... D15/199

D886,167 S \* 6/2020 Wang ..... D15/122  
D892,875 S \* 8/2020 Medalsy ..... D15/122  
2010/0096489 A1\* 4/2010 Taatjes ..... B29C 64/106  
242/520

(Continued)

**OTHER PUBLICATIONS**

SISMA, Everes Zero, (published Jun. 2019), SISMA brochure from website, URL:<<https://www.3d.sisma.com/3d-resina-everes-uno?lang=en>> (Year: 2019).\*

(Continued)

*Primary Examiner* — Sheryl Lane

*Assistant Examiner* — Mark T. Philipps

(74) *Attorney, Agent, or Firm* — Knobbe, Martens, Olson & Bear, LLP

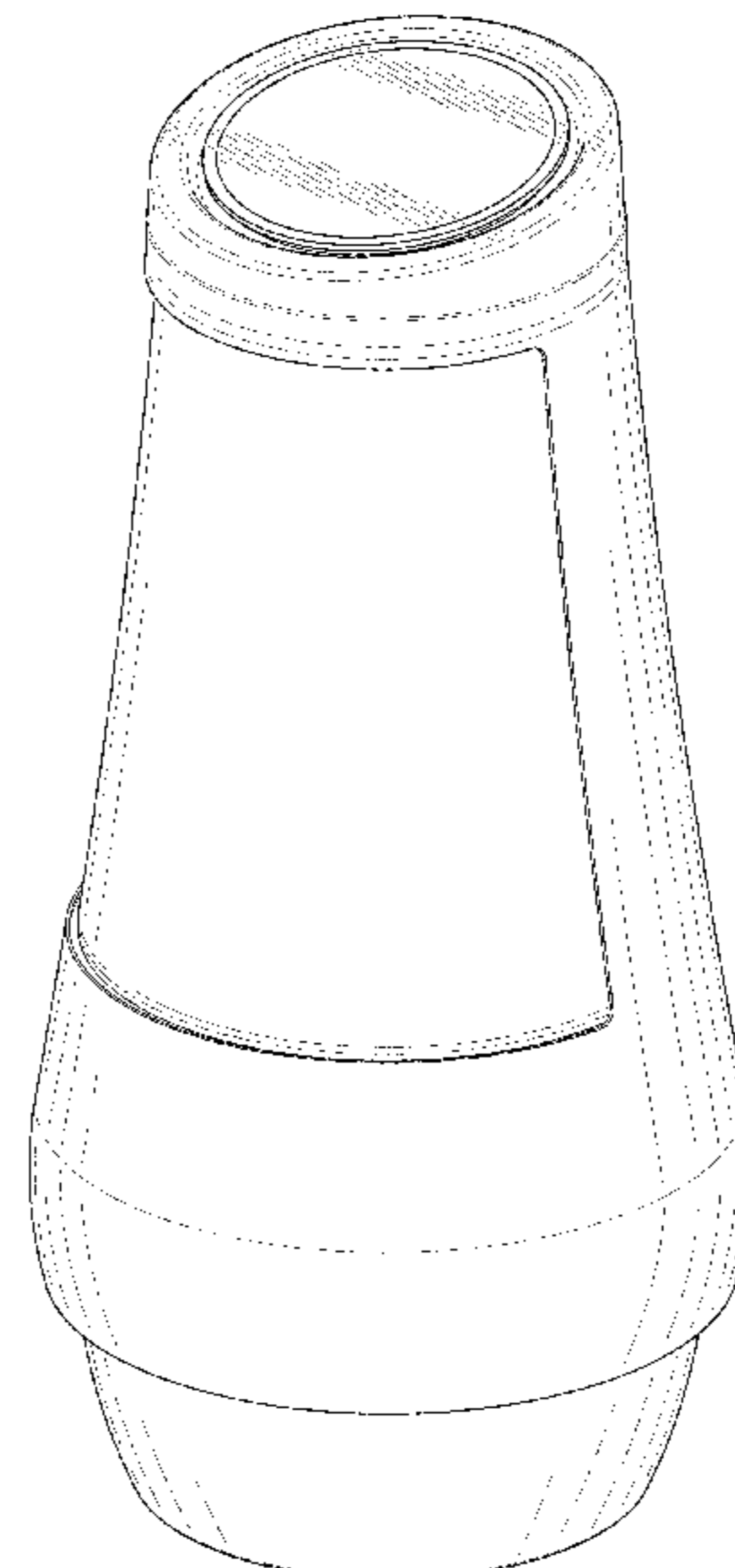
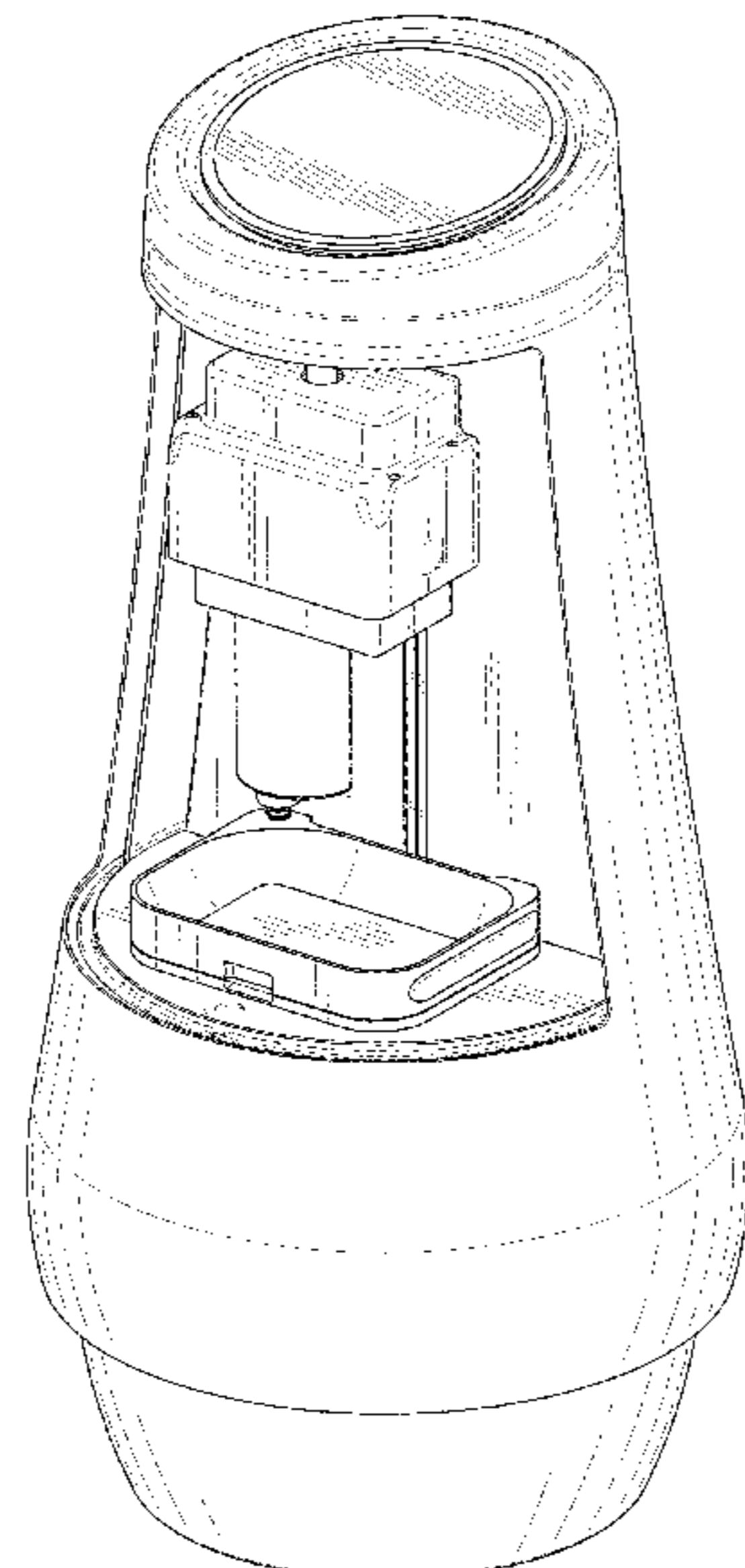
(57) **CLAIM**

The ornamental design for a 3-D printer, as shown and described.

**DESCRIPTION**

FIG. 1 is a perspective view of a 3-D printer with a front doorway open, showing my new design;  
FIG. 2 is a front view thereof;  
FIG. 3 is a rear view thereof;  
FIG. 4 is a left side view thereof;  
FIG. 5 is a right side view thereof;  
FIG. 6 is a top view thereof;  
FIG. 7 is a bottom view thereof;  
FIG. 8 is a perspective view of the 3-D printer with the front doorway closed;  
FIG. 9 is a front view thereof;  
FIG. 10 is a rear view thereof;  
FIG. 11 is a left side view thereof;  
FIG. 12 is a right side view thereof;  
FIG. 13 is a top view thereof; and,  
FIG. 14 is a bottom view thereof.  
The broken lines in the views illustrate portions of the 3-D printer that form no part of the claimed design.

**1 Claim, 14 Drawing Sheets**



(56)

**References Cited**

U.S. PATENT DOCUMENTS

2014/0085620 A1\* 3/2014 Lobovsky ..... B33Y 40/00  
355/72  
2015/0283763 A1\* 10/2015 Chi ..... B29C 64/386  
700/119  
2016/0136893 A1\* 5/2016 Chang ..... B29C 64/209  
425/150  
2016/0193784 A1\* 7/2016 Tadin ..... B29C 64/25  
425/375  
2018/0354196 A1\* 12/2018 Wu ..... B33Y 50/02  
2020/0307070 A1\* 10/2020 Swanson ..... B29C 64/336

OTHER PUBLICATIONS

FlashForge, Adventurer 3 Lite FDM 3D Printer, (firstavailable Jan. 14, 2019), Amazon.com, URL:<<https://www.amazon.com/FlashForge-Adventurer-Lite-FDM-Printer/dp/B07TYRGWSQ>> (Year: 2019).\*

\* cited by examiner

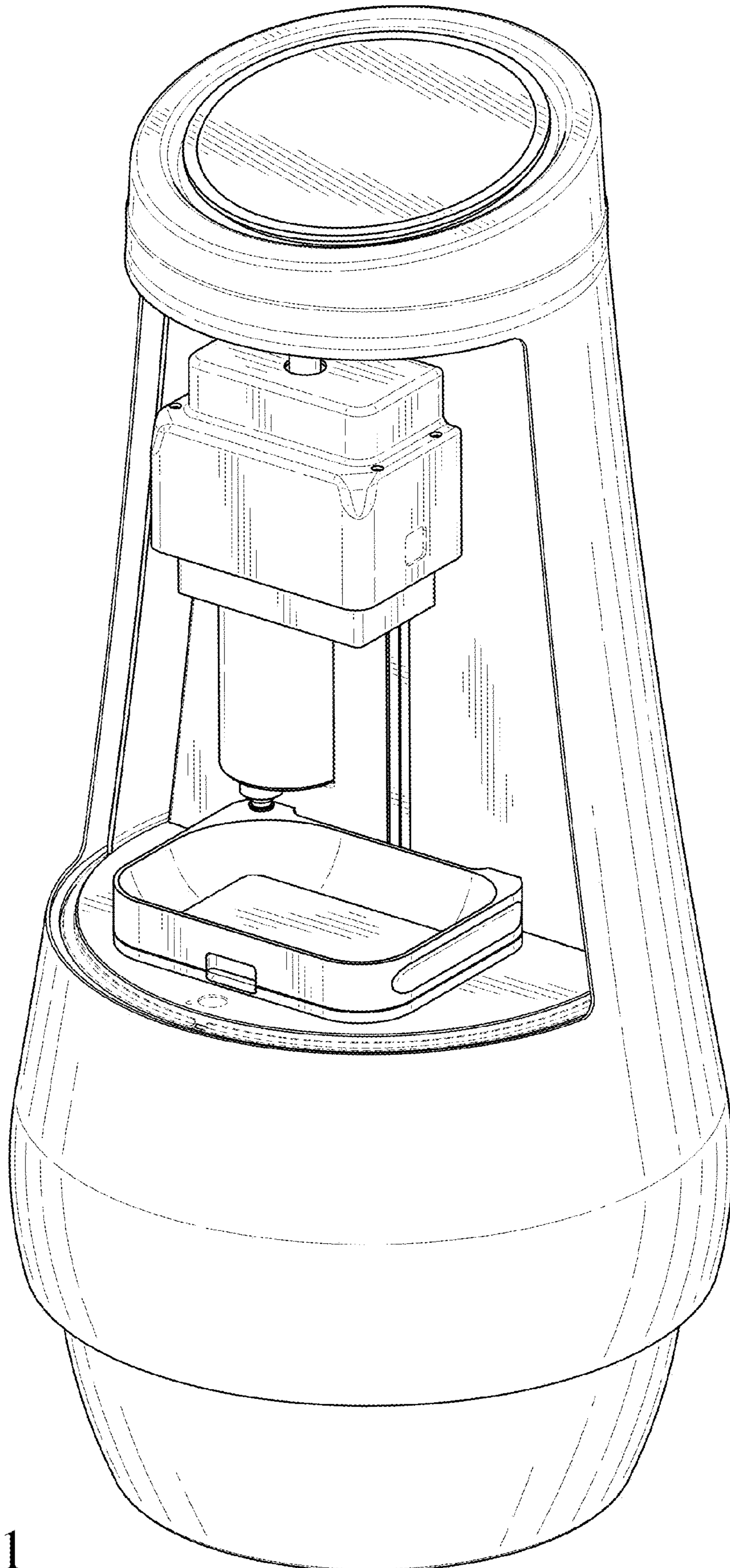


FIG. 1

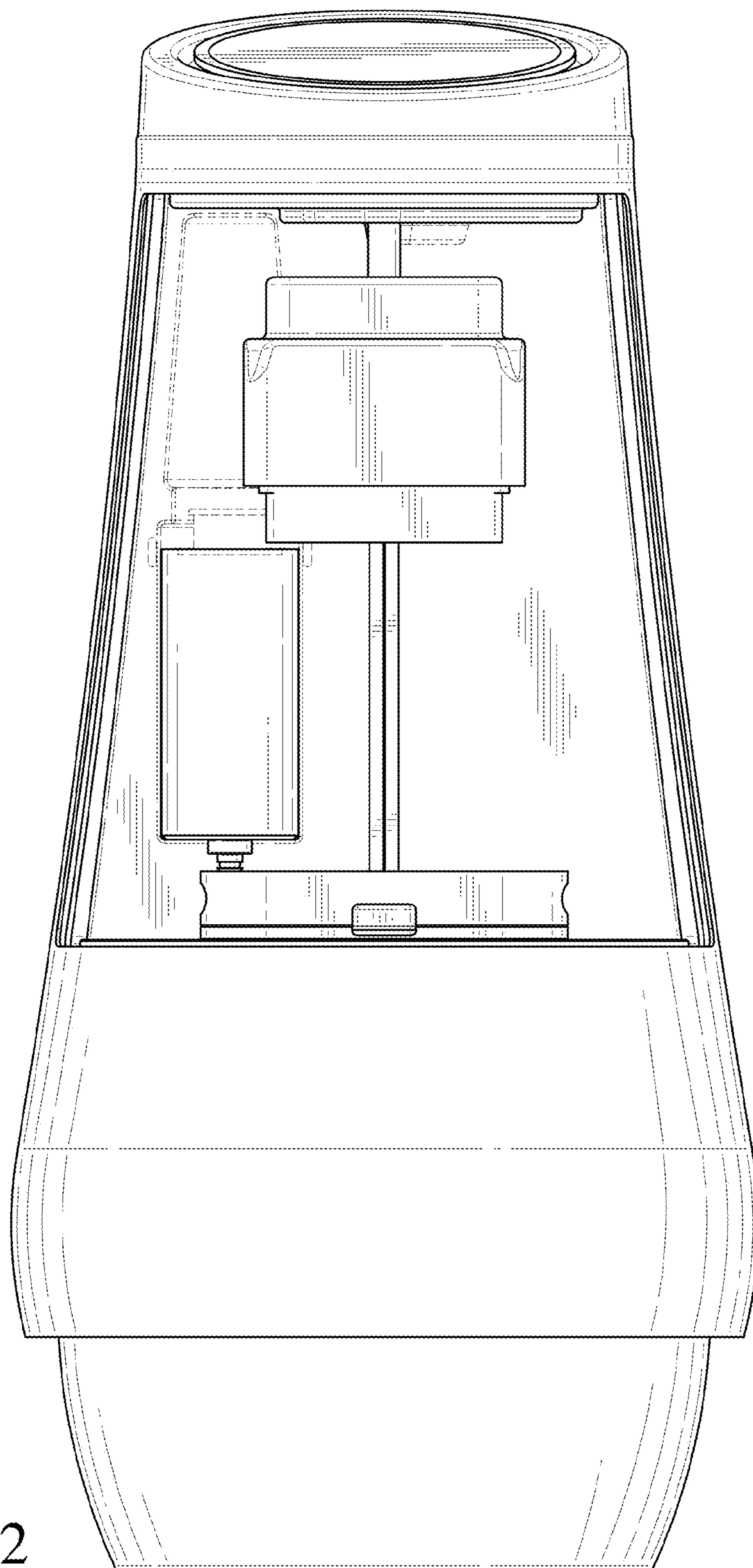


FIG. 2

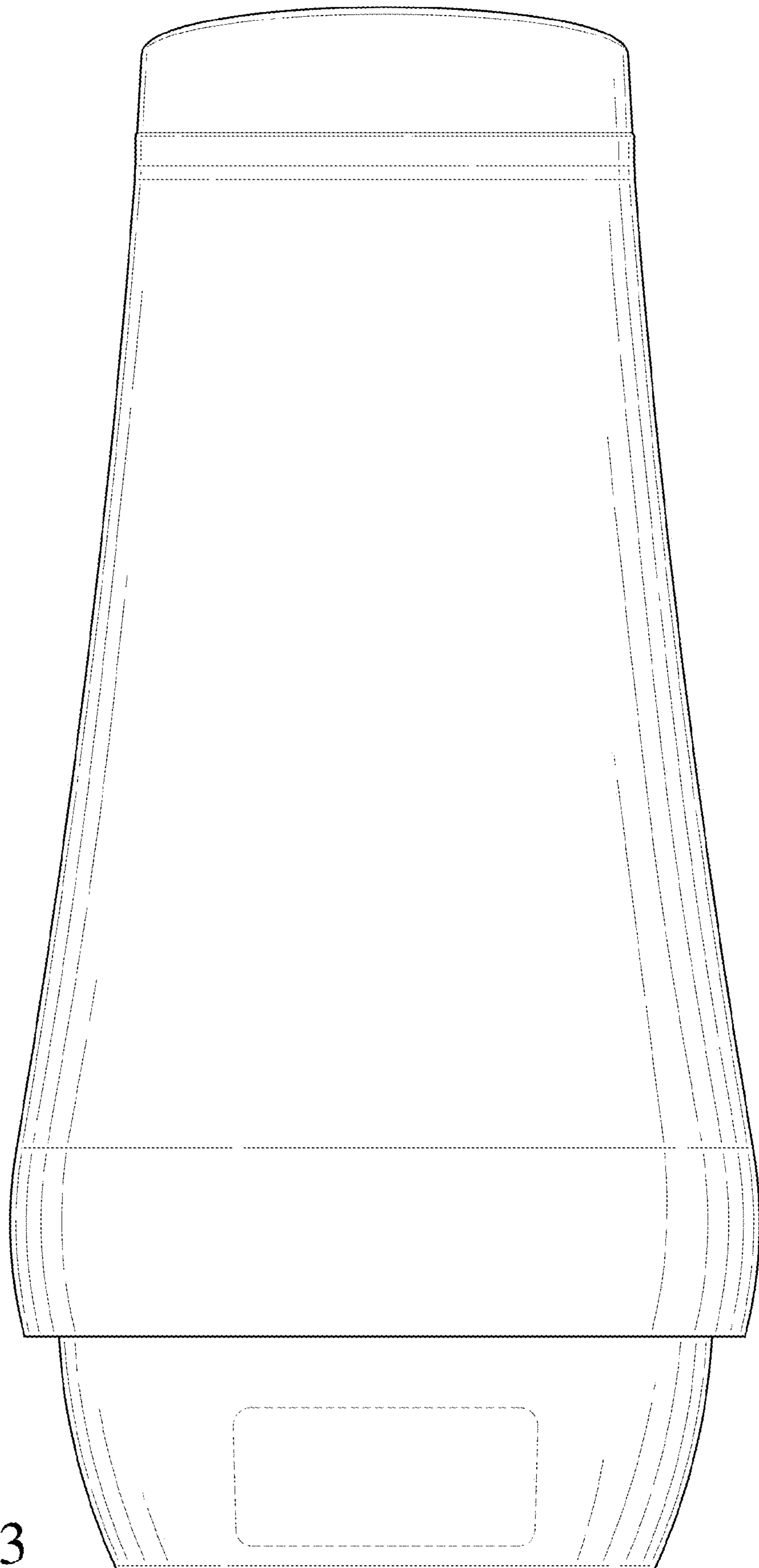


FIG. 3

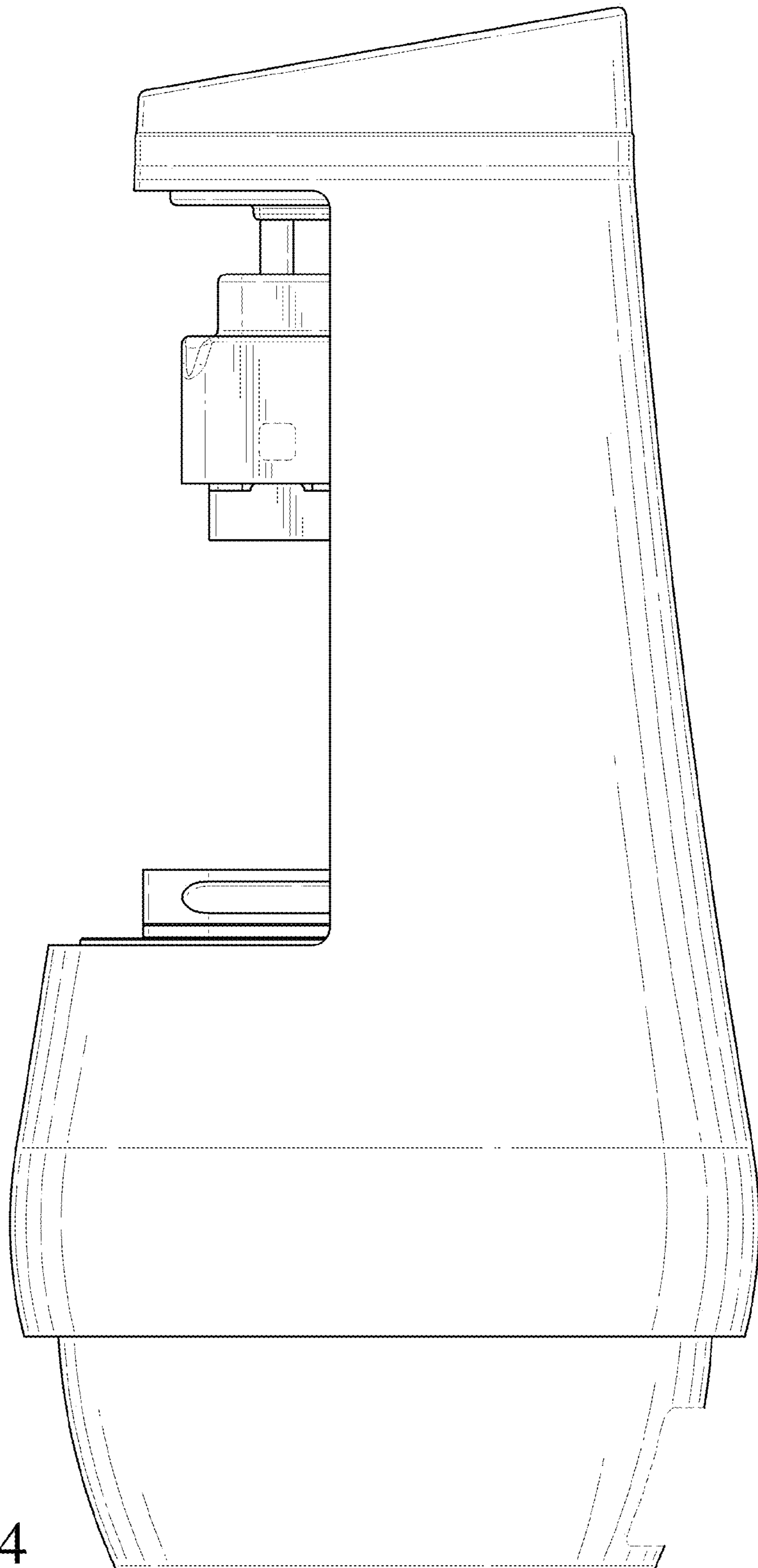


FIG. 4

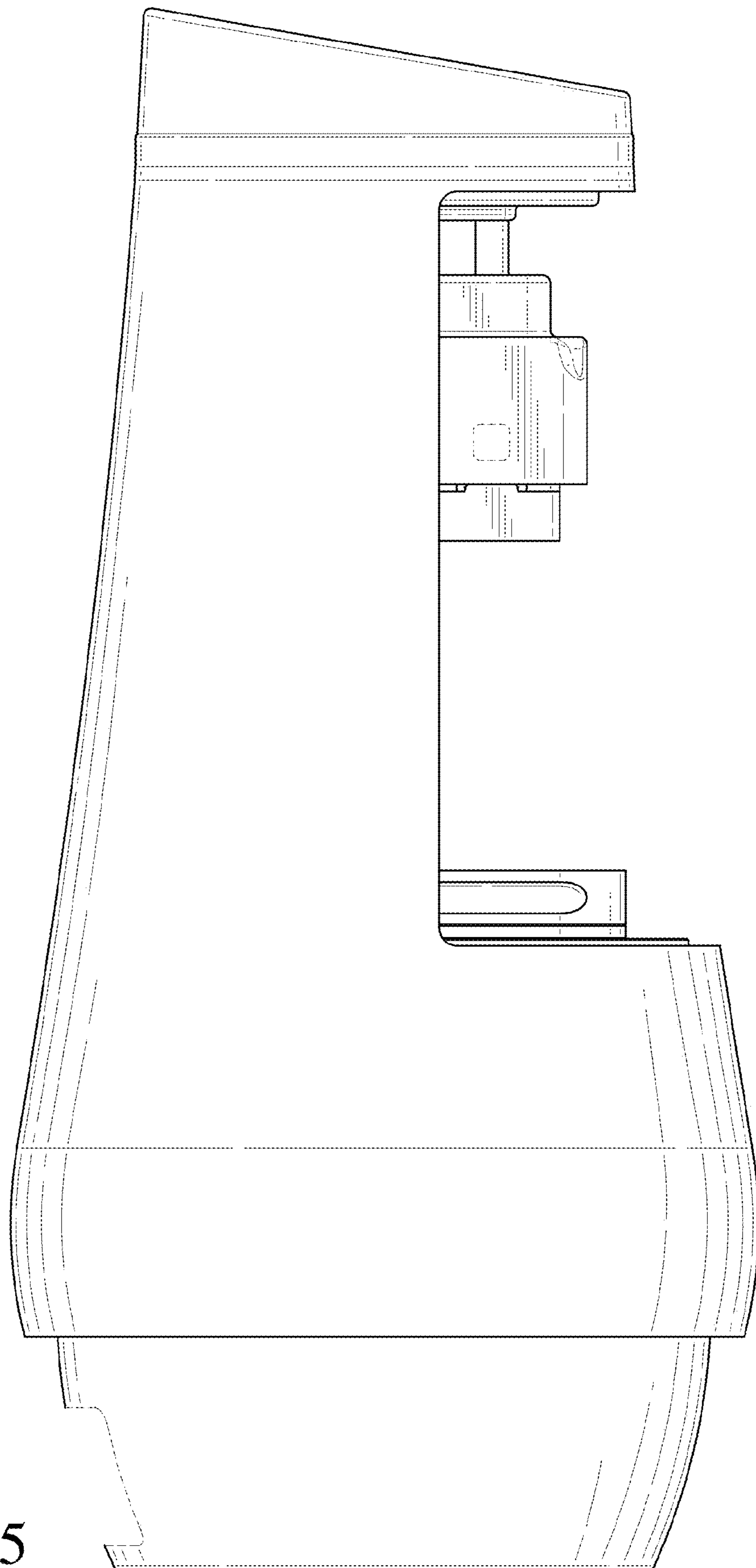


FIG. 5

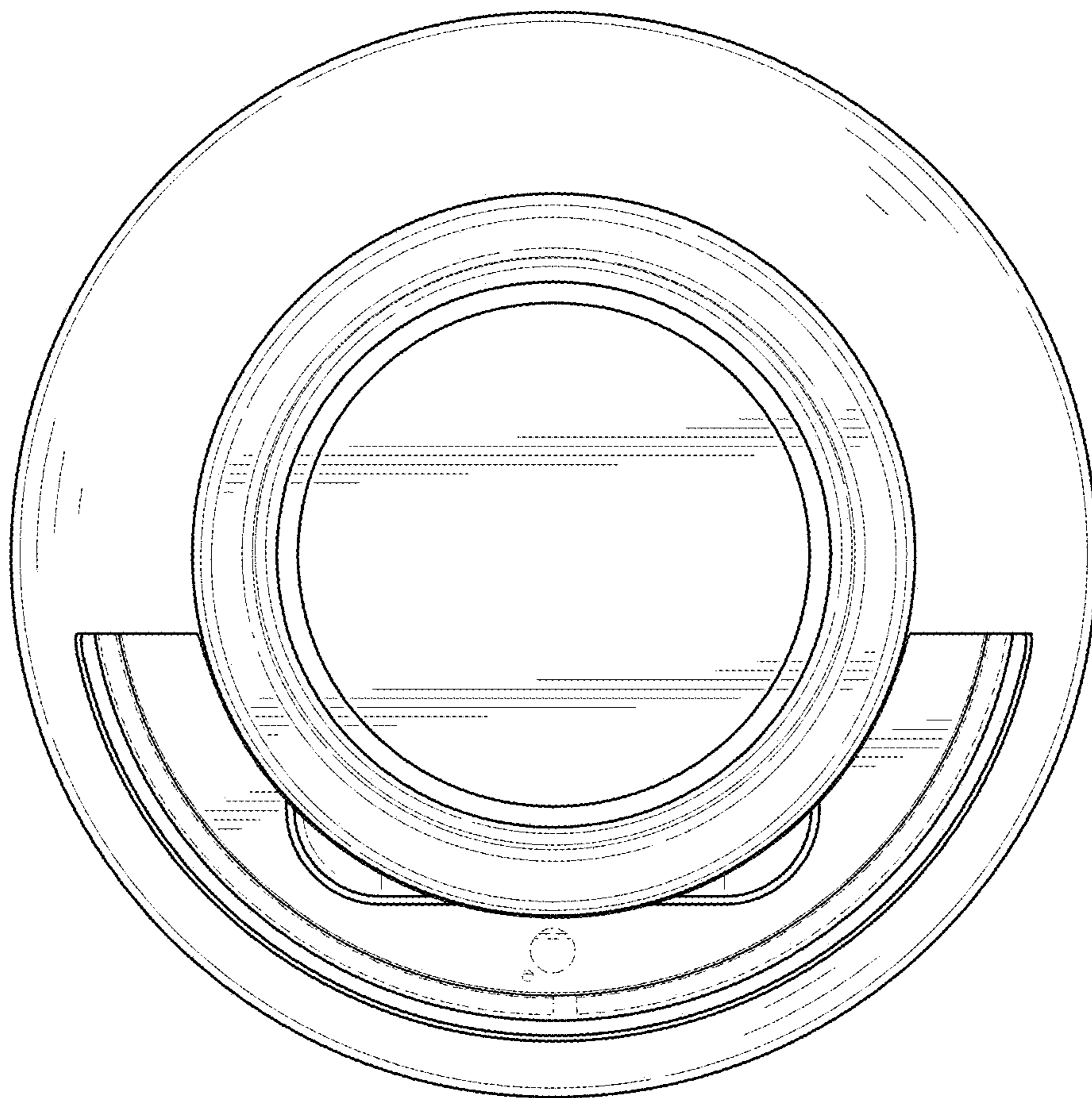


FIG. 6



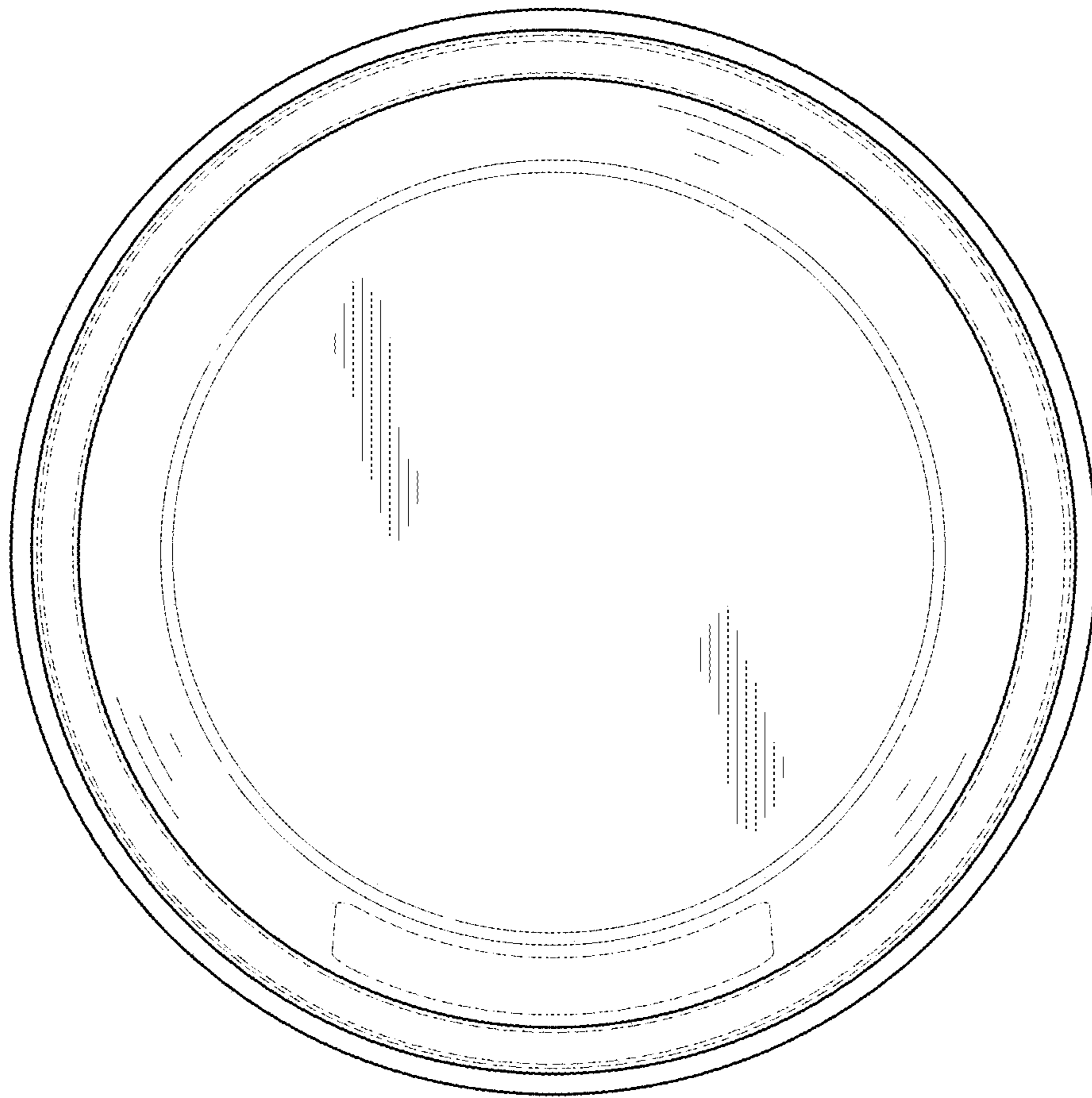


FIG. 7

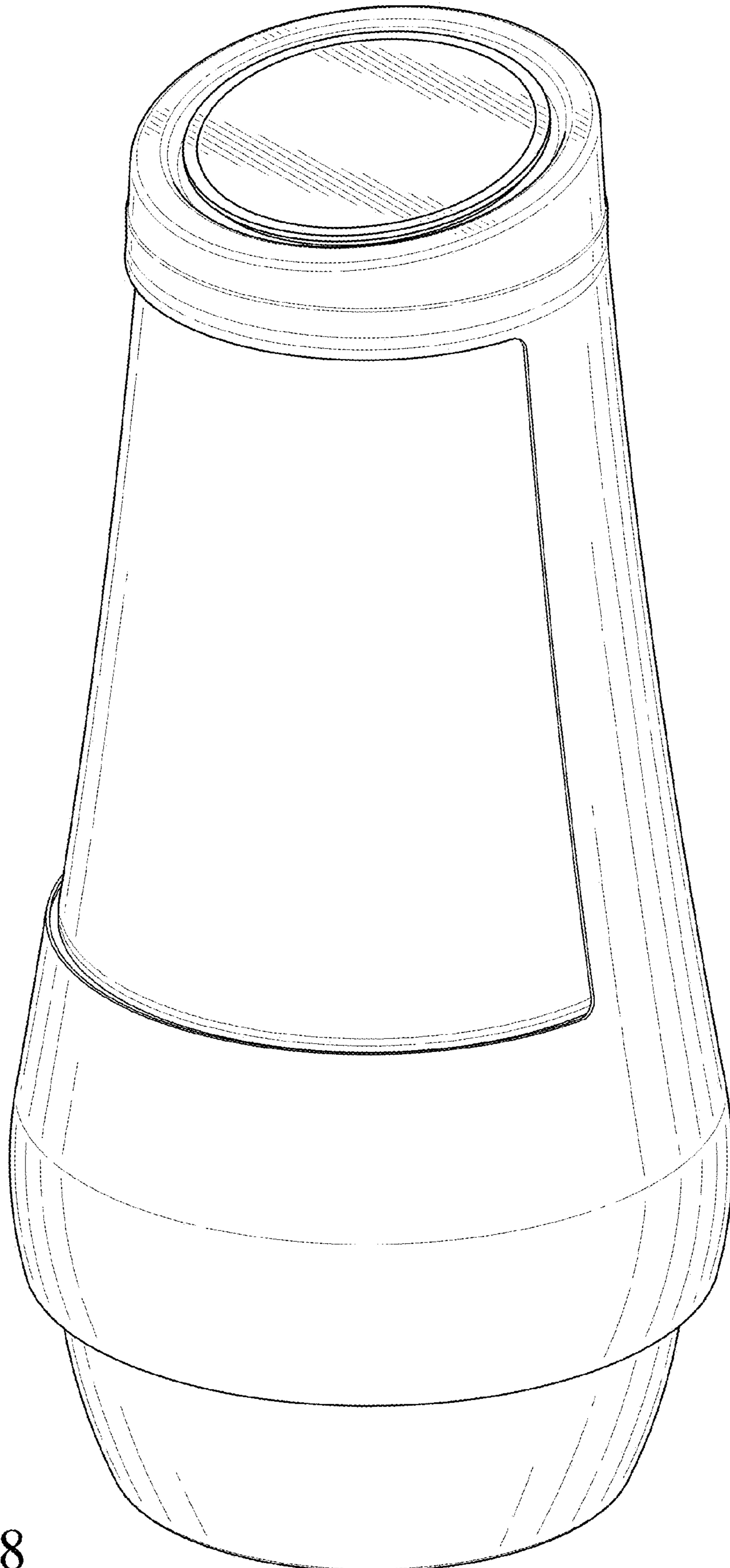


FIG. 8

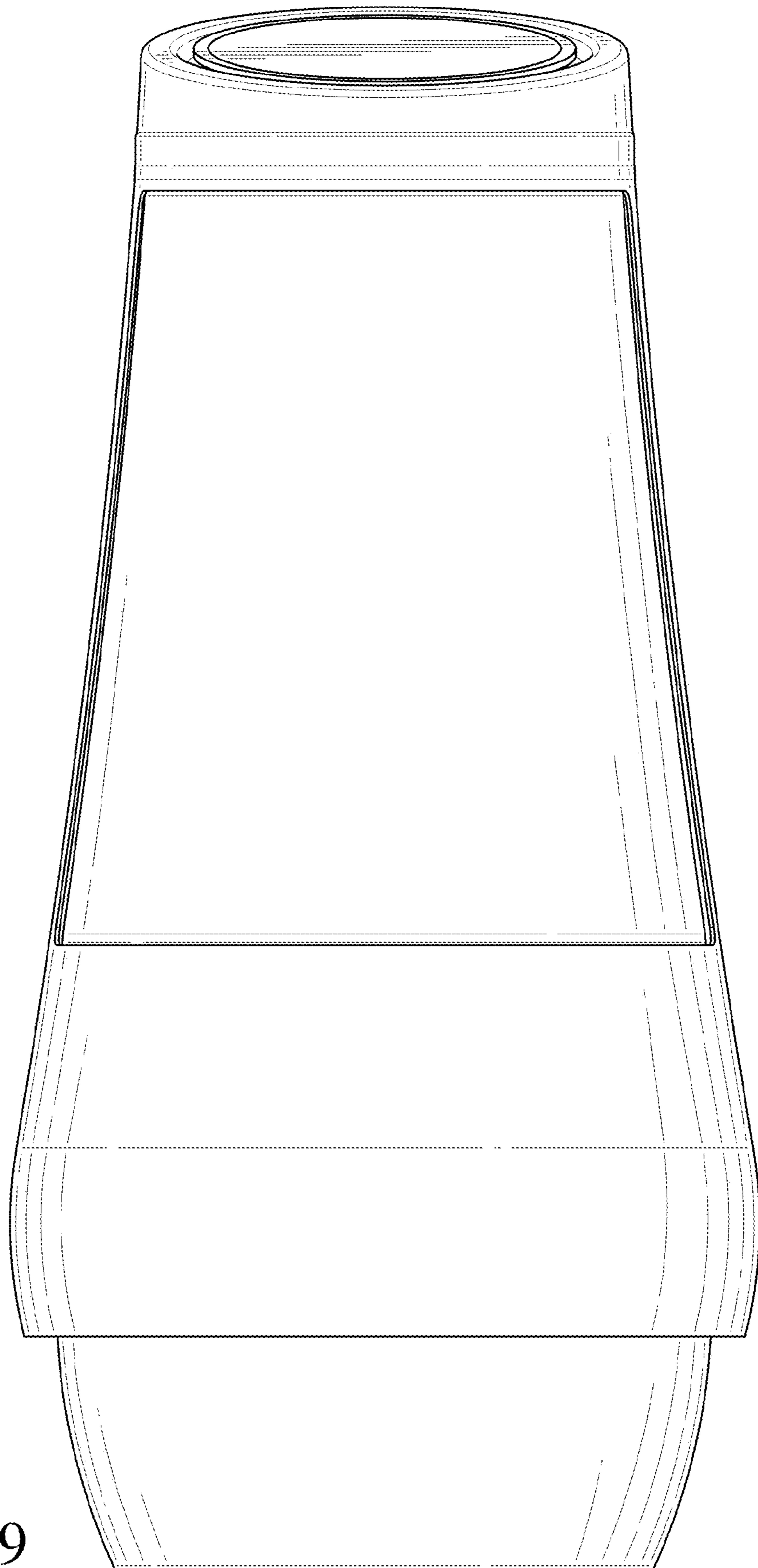


FIG. 9

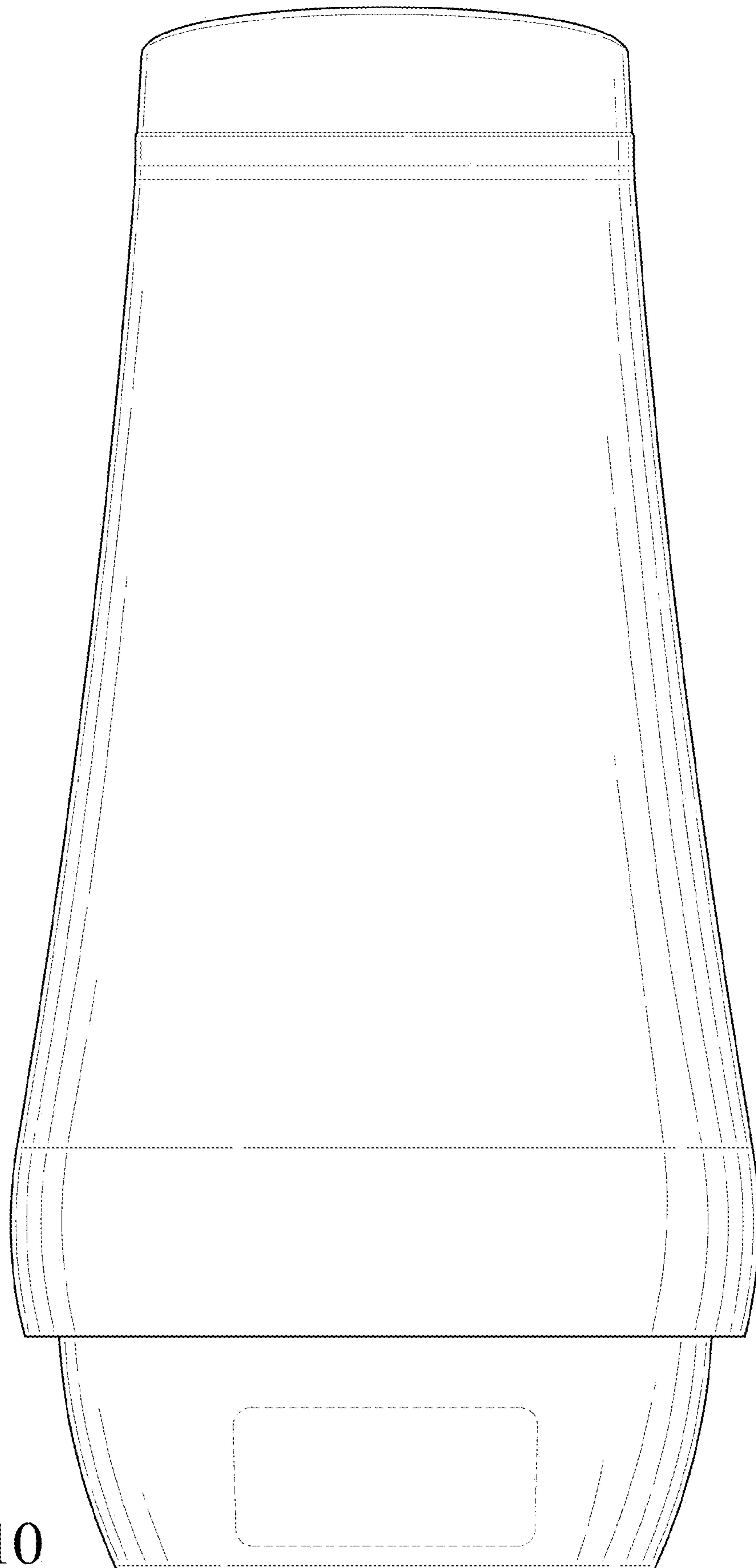


FIG. 10

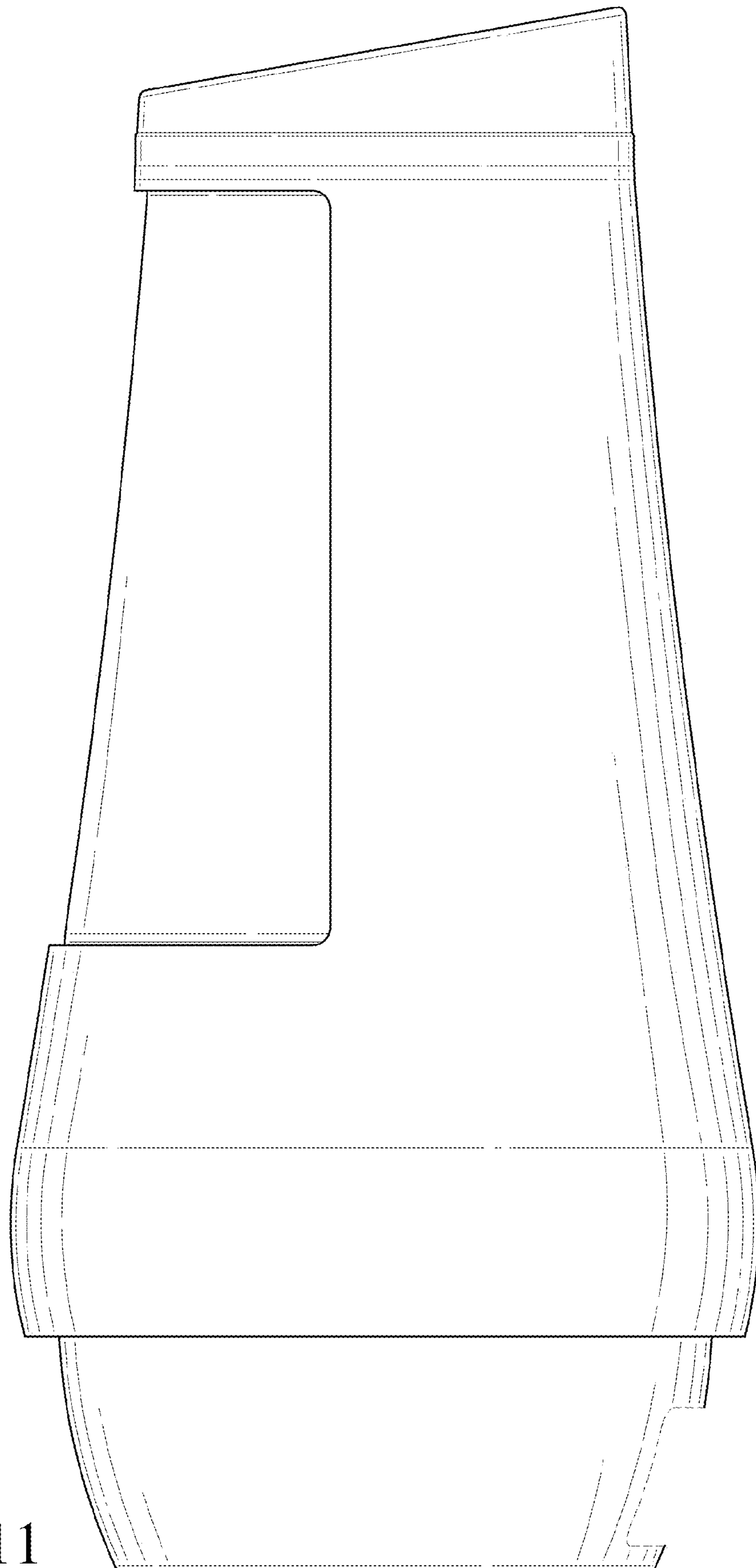


FIG. 11

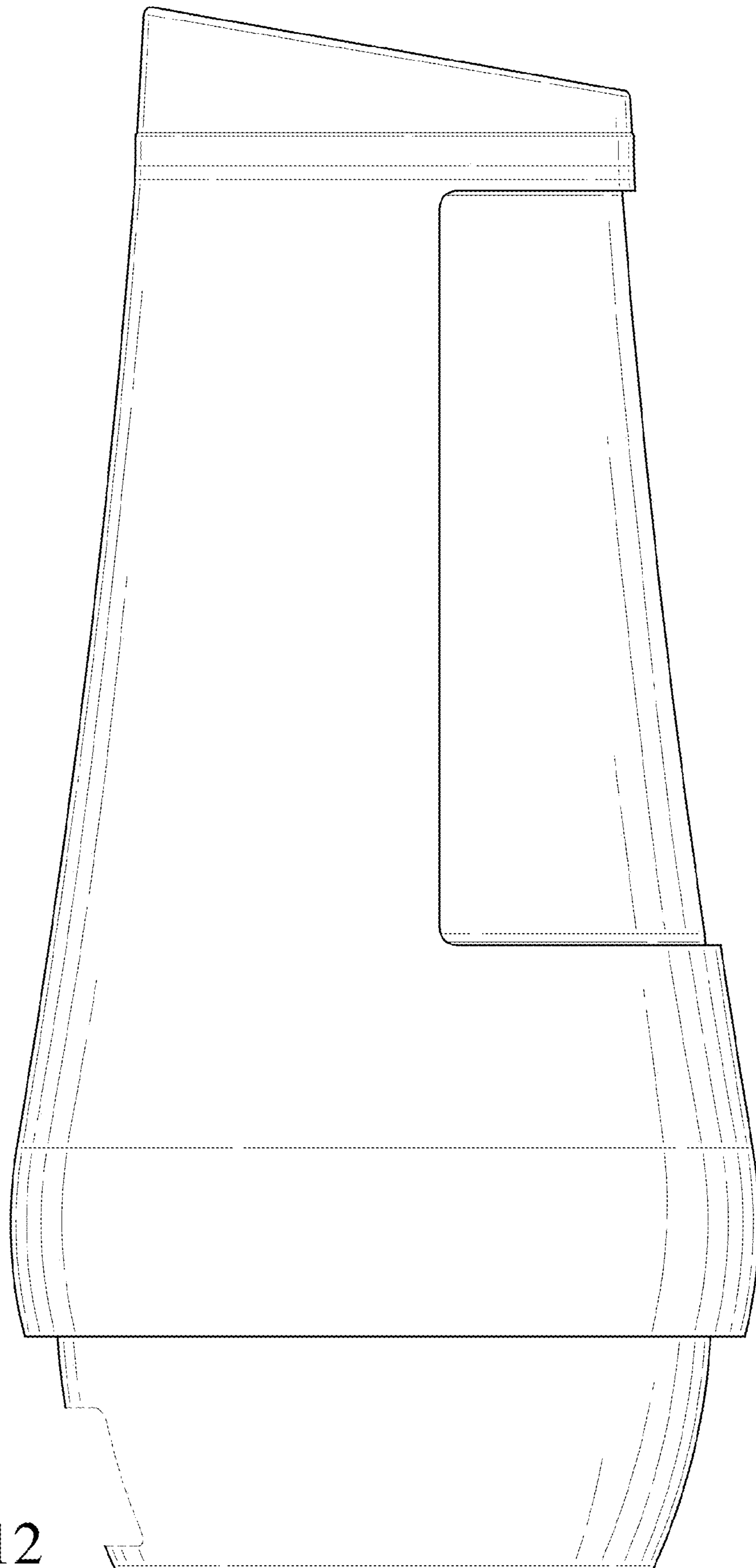


FIG. 12

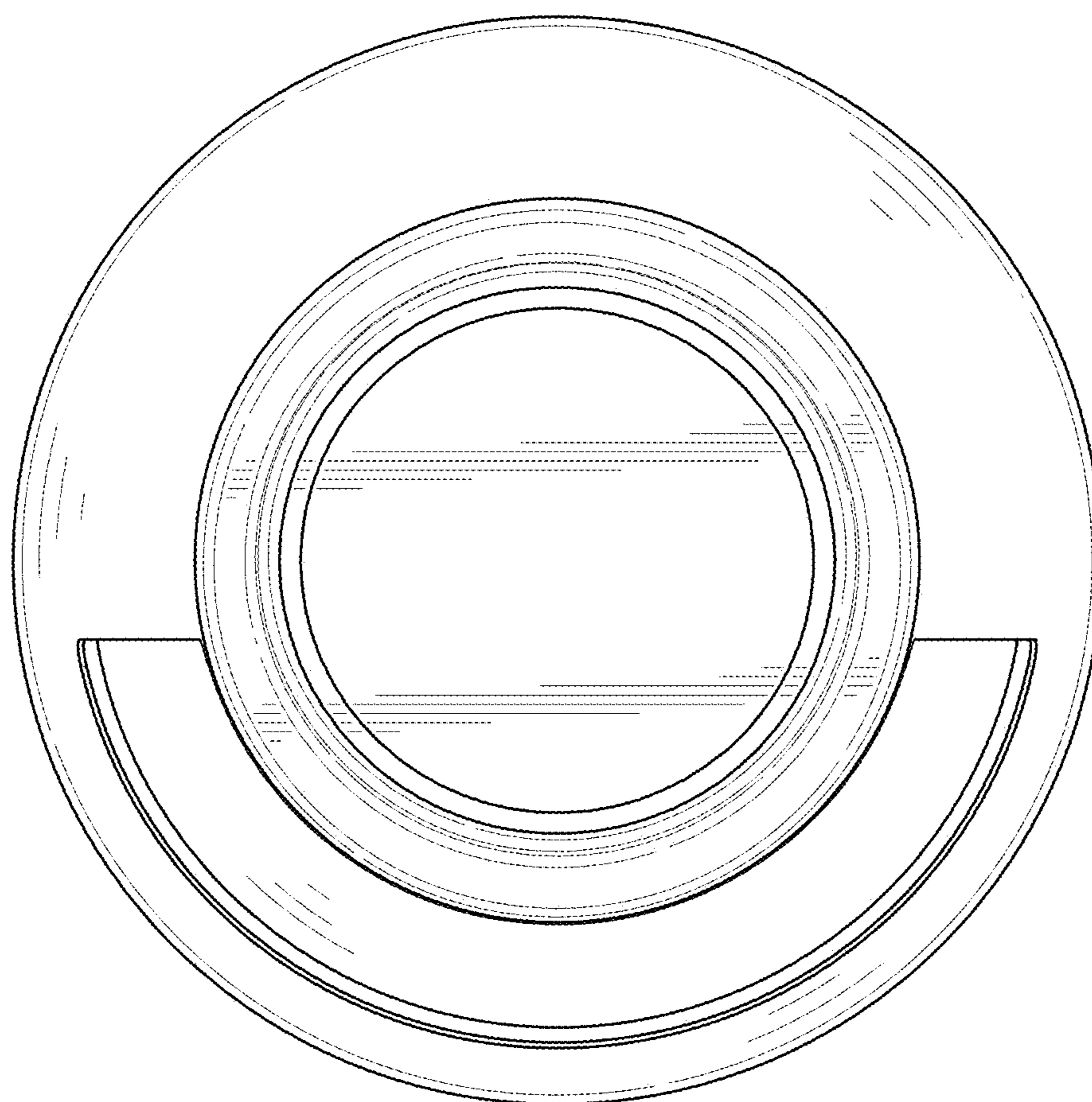


FIG. 13

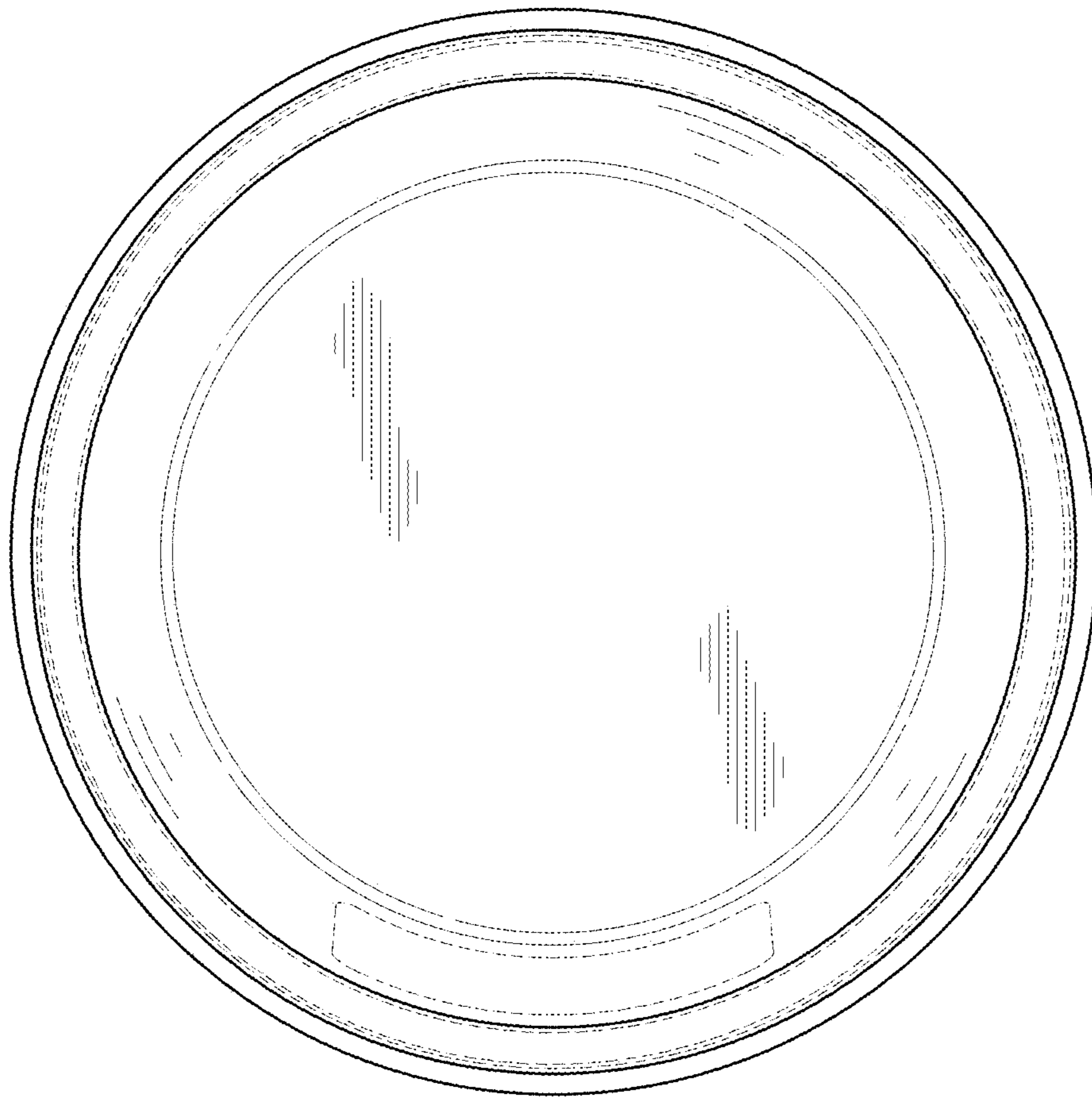


FIG. 14