



US00D915475S

(12) **United States Design Patent**
Wu

(10) **Patent No.:** **US D915,475 S**

(45) **Date of Patent:** **** Apr. 6, 2021**

(54) **ICE MOLD**

(71) Applicant: **Xiu Wu**, Shenzhen (CN)

(72) Inventor: **Xiu Wu**, Shenzhen (CN)

(**) Term: **15 Years**

(21) Appl. No.: **29/762,578**

(22) Filed: **Dec. 17, 2020**

(51) **LOC (13) Cl.** **15-07**

(52) **U.S. Cl.**
USPC **D15/90**

(58) **Field of Classification Search**
USPC D7/300, 368, 387, 603, 605, 669, 672;
D15/79-91
CPC F25C 2400/10; F25C 5/005; F25C 1/10;
F25C 2305/022; F25C 2600/04; F25C
2700/14; F25C 5/06; F25C 5/182; F25C
1/08; F25C 1/24; F25C 2400/14; F25C
2500/02; A47J 43/00; A47J 43/20; A47J
9/00; A47J 9/007
See application file for complete search history.

(56) **References Cited**

U.S. PATENT DOCUMENTS

2,182,454	A	*	12/1939	Sherman	F25C 1/24 62/345
2,243,363	A	*	5/1941	Thomas	A23G 9/221 249/120
2,591,261	A	*	4/1952	Holahan	F25C 1/24 249/92
3,590,728	A	*	7/1971	Stanley	A47J 43/20 99/439
D346,552	S	*	5/1994	Krupa	D9/757
D513,019	S		12/2005	Lion et al.		
D651,038	S	*	12/2011	Henry	D7/357
D661,541	S	*	6/2012	Braden	D7/359
D673,432	S	*	1/2013	Augis	D7/672
D680,818	S	*	4/2013	Augis	D7/672
D720,783	S		1/2015	Yang et al.		
D731,264	S	*	6/2015	Frank	D7/672

D781,932	S	*	3/2017	Yoshikawa	D15/80
D782,334	S	*	3/2017	Bishop	D9/757
D803,904	S	*	11/2017	Frank	D15/90
D807,932	S	*	1/2018	Frank	D15/90

(Continued)

FOREIGN PATENT DOCUMENTS

EM 007991906-0002 * 6/2020

OTHER PUBLICATIONS

Varwaneo, Round Ice Cube Mold, (first available Jul. 26, 2020), Amazon.com, URL:<<https://www.amazon.com/VARWANEOWhiskey-Silicone-Updated-Cocktails/dp/B08DMKKGZZ>> (Year: 2020).*

(Continued)

Primary Examiner — Sheryl Lane
Assistant Examiner — Mark T. Philipps
(74) *Attorney, Agent, or Firm* — W&K IP

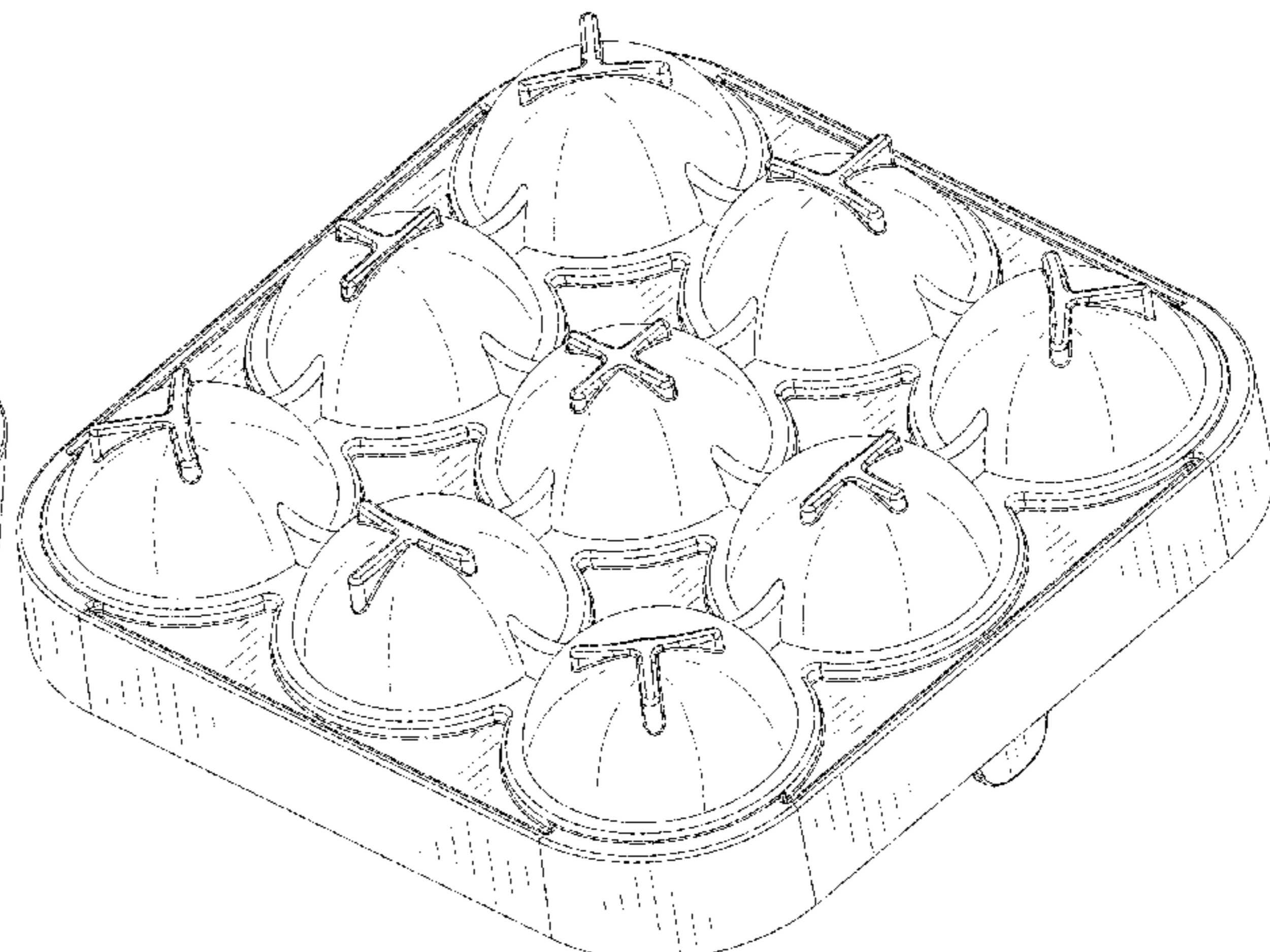
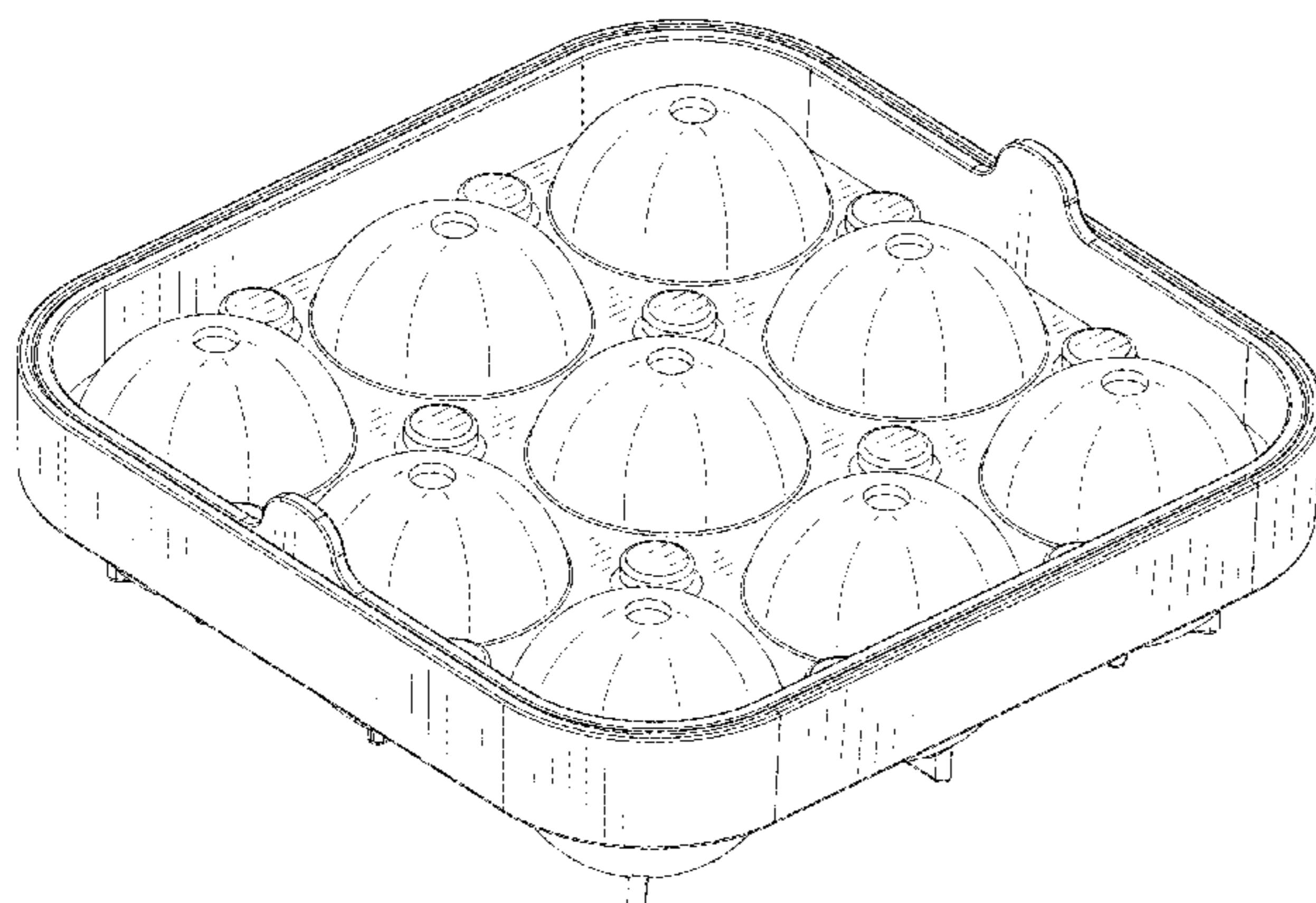
(57) **CLAIM**

The ornamental design for an ice mold, as shown and described.

DESCRIPTION

FIG. 1 is a perspective view of an ice mold showing my design;
FIG. 2 is a front elevation view thereof;
FIG. 3 is a back elevation view thereof;
FIG. 4 is a left side view thereof;
FIG. 5 is a right side view thereof;
FIG. 6 is a top plan view thereof;
FIG. 7 is a bottom plan view thereof;
FIG. 8 is another perspective view thereof; and,
FIG. 9 is an exploded view thereof.
The dashed or broken lines shown in the drawings depict portions of the ice mold in which the design is embodied that form no part of the claimed design.

1 Claim, 9 Drawing Sheets



(56)

References Cited

U.S. PATENT DOCUMENTS

D847,222 S * 4/2019 Todirca D15/90
D852,237 S * 6/2019 Helton D15/90
D857,766 S * 8/2019 Tseng D15/90
D877,213 S * 3/2020 Lord D15/90
D880,541 S * 4/2020 Murphy D15/89
D899,470 S * 10/2020 Liu D15/90
2004/0036004 A1 * 2/2004 De Groote A47J 43/20
249/155
2004/0094043 A1 * 5/2004 Morgan A21C 11/00
99/426
2011/0123699 A1 * 5/2011 Beltran A47J 43/20
426/513
2016/0356536 A1 * 12/2016 Baumbach F25C 1/24
2019/0014811 A1 * 1/2019 Vanneste A23L 19/135
2020/0018535 A1 * 1/2020 Leal F25C 5/18

OTHER PUBLICATIONS

The Brothers Tod, Premium Ice/Cake Ball Maker, Whiskey Ice Mold, 9 Spherical Balls Ice Tray, (first available Jul. 6, 2016), Amazon.com, URL:<<https://www.amazon.com/Premium-Quality-Spherical-Securing-Preventing/dp/B01HP1D8LO>> (Year: 2016).*

The North Pole Ice Ball Maker, The North Pole Ice Ball Maker Mold ((4) 2inch), (Fist available Jun. 10, 2015), Amazon.com, URL:< <https://www.amazon.com/North-Pole-Ice-Ball-Maker/dp/B00ZDG80EU>> (Year: 2015).*

* cited by examiner

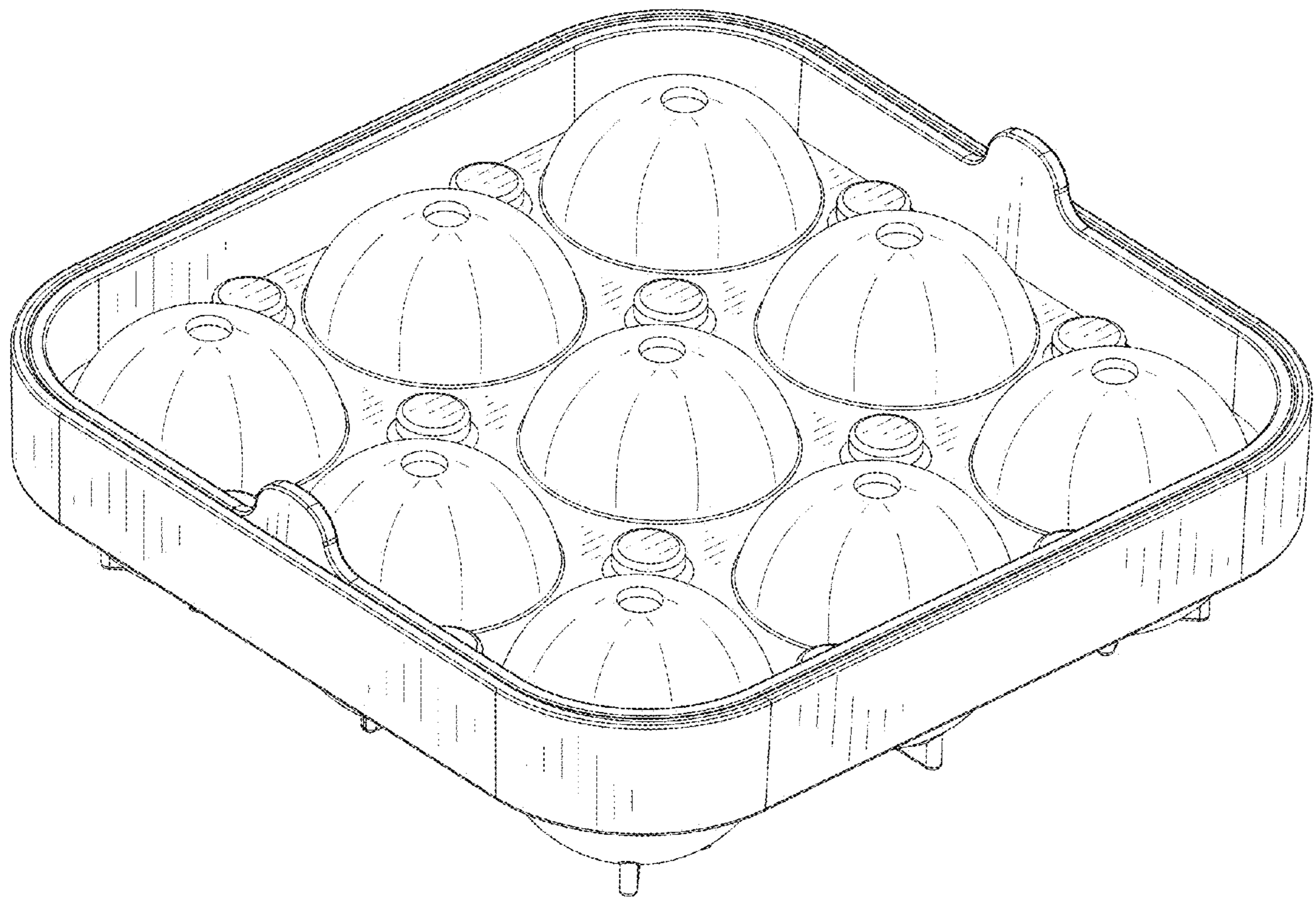


FIG.1

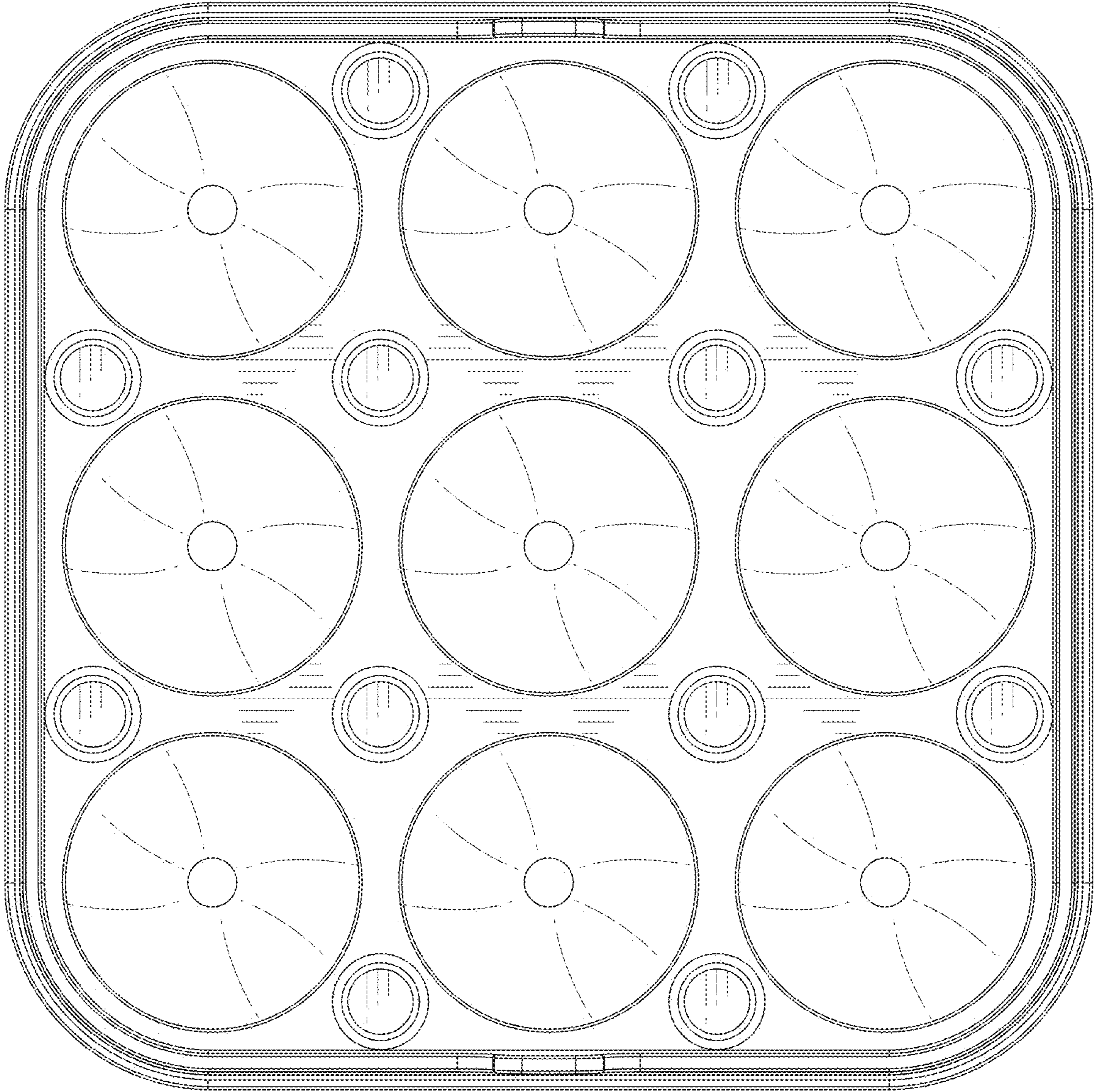


FIG.2

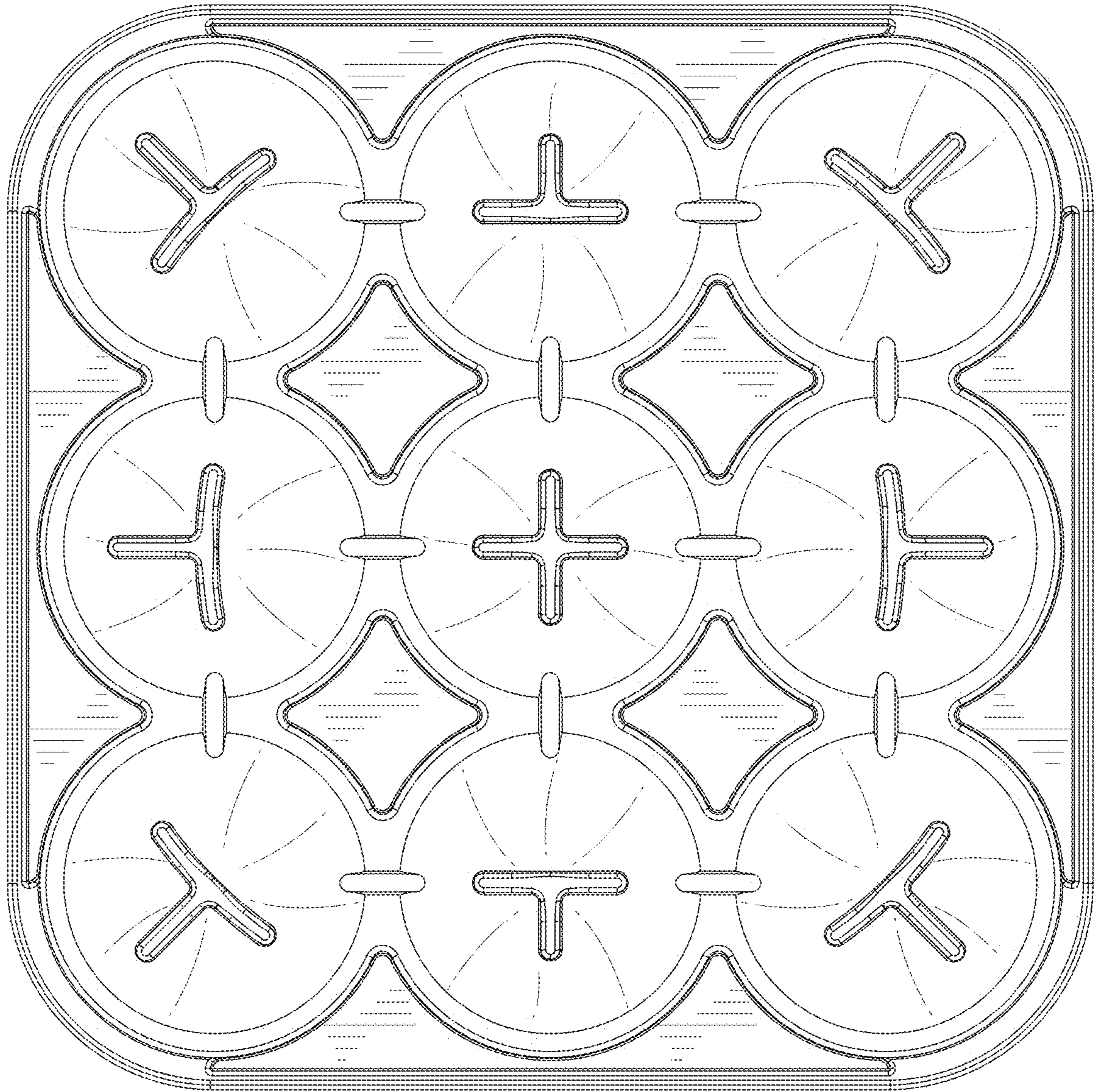


FIG.3

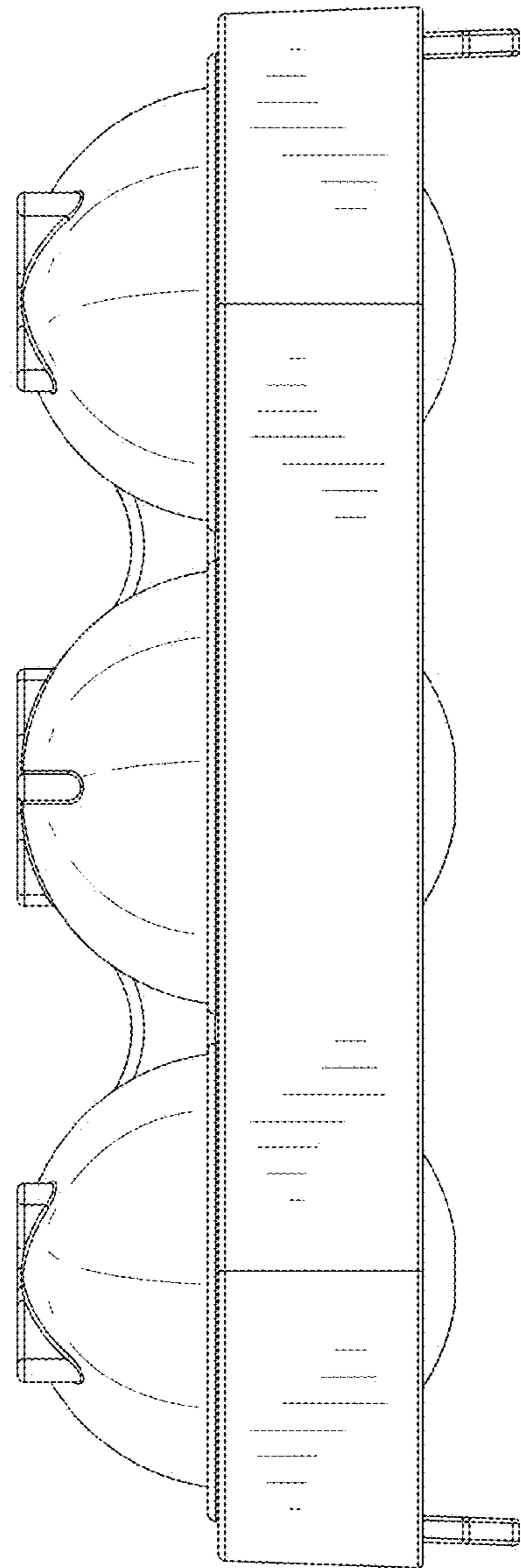


FIG.4

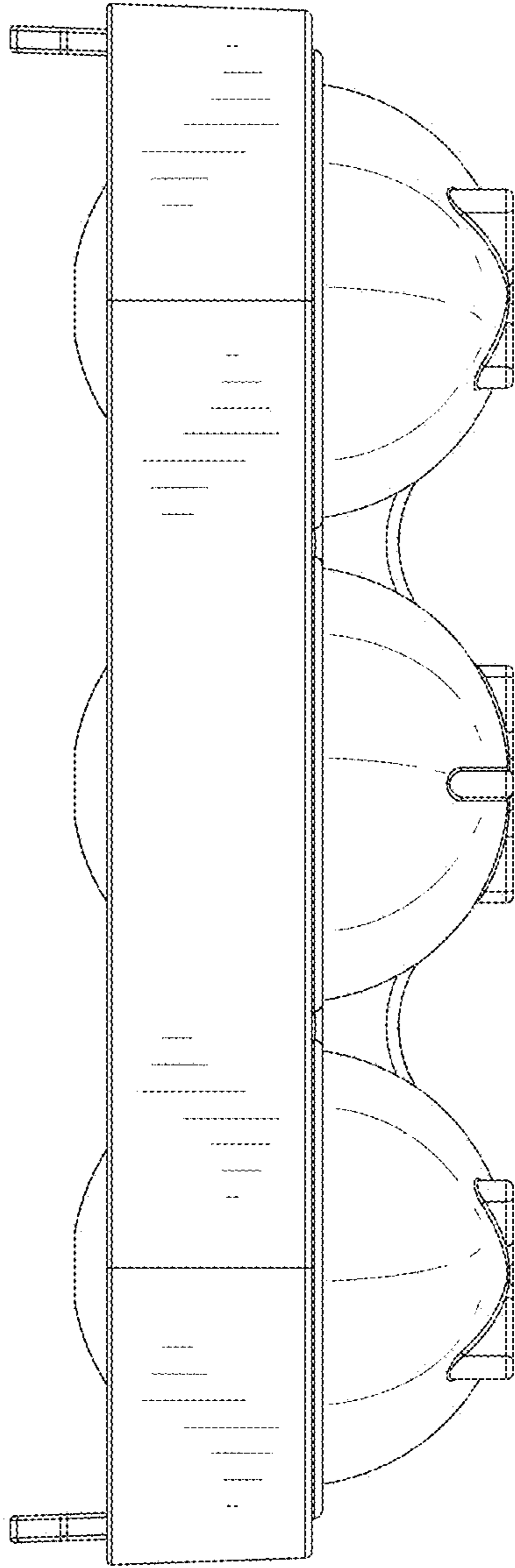


FIG.5

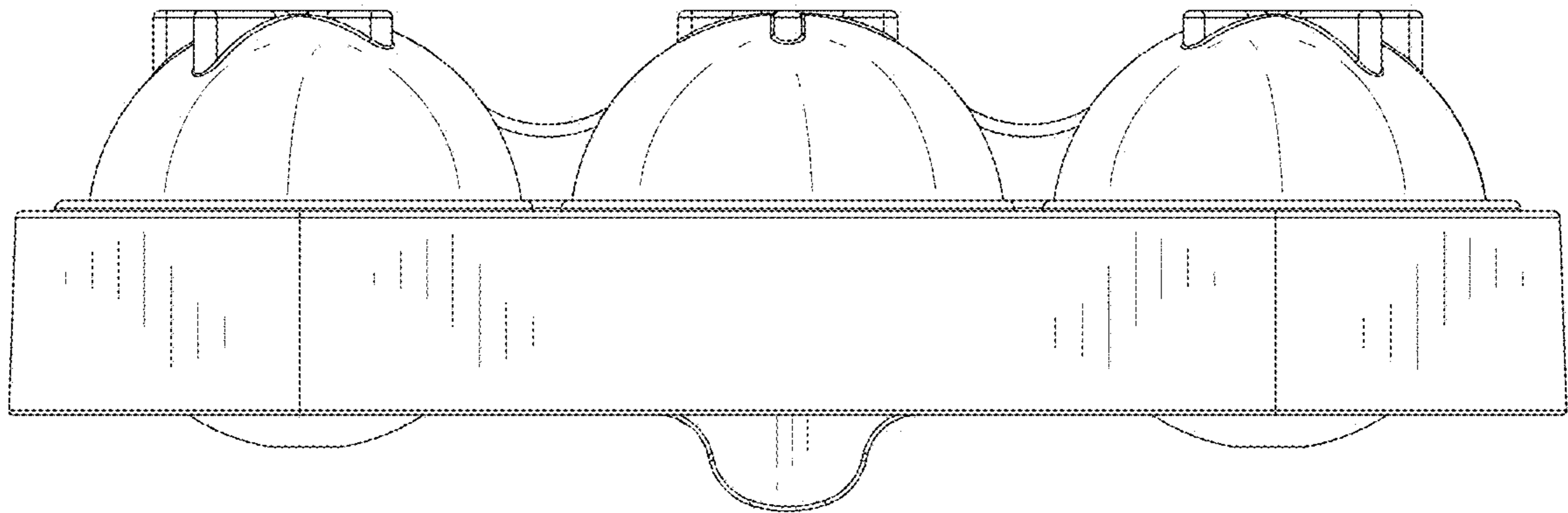


FIG.6

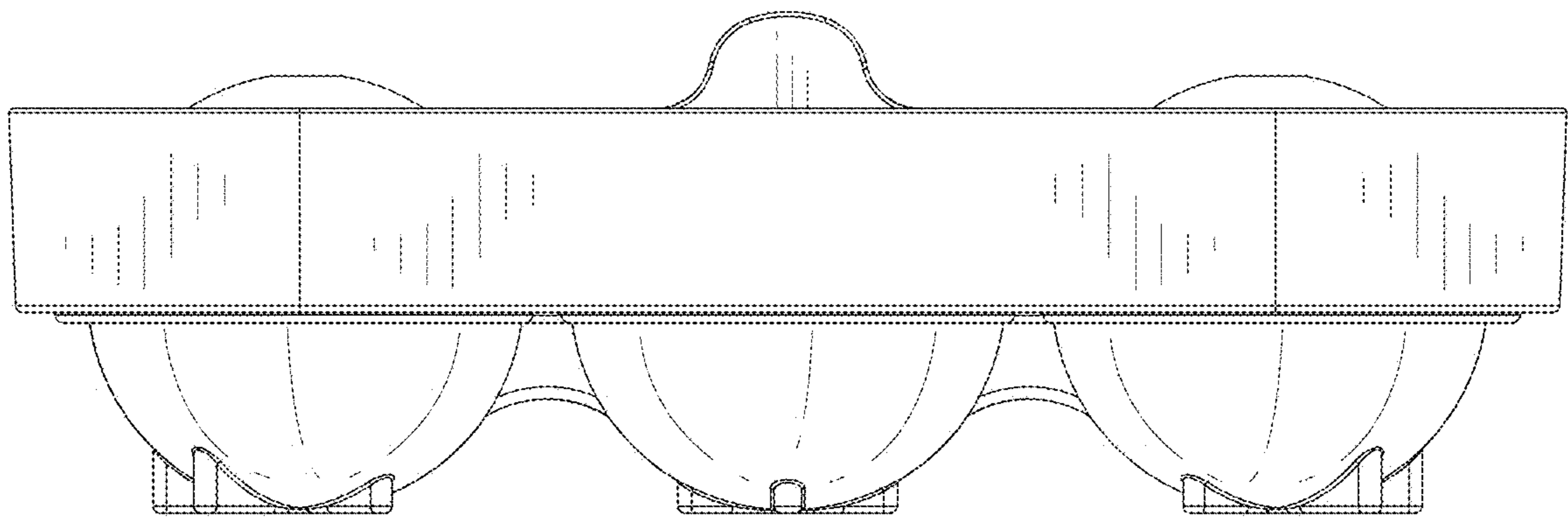


FIG.7

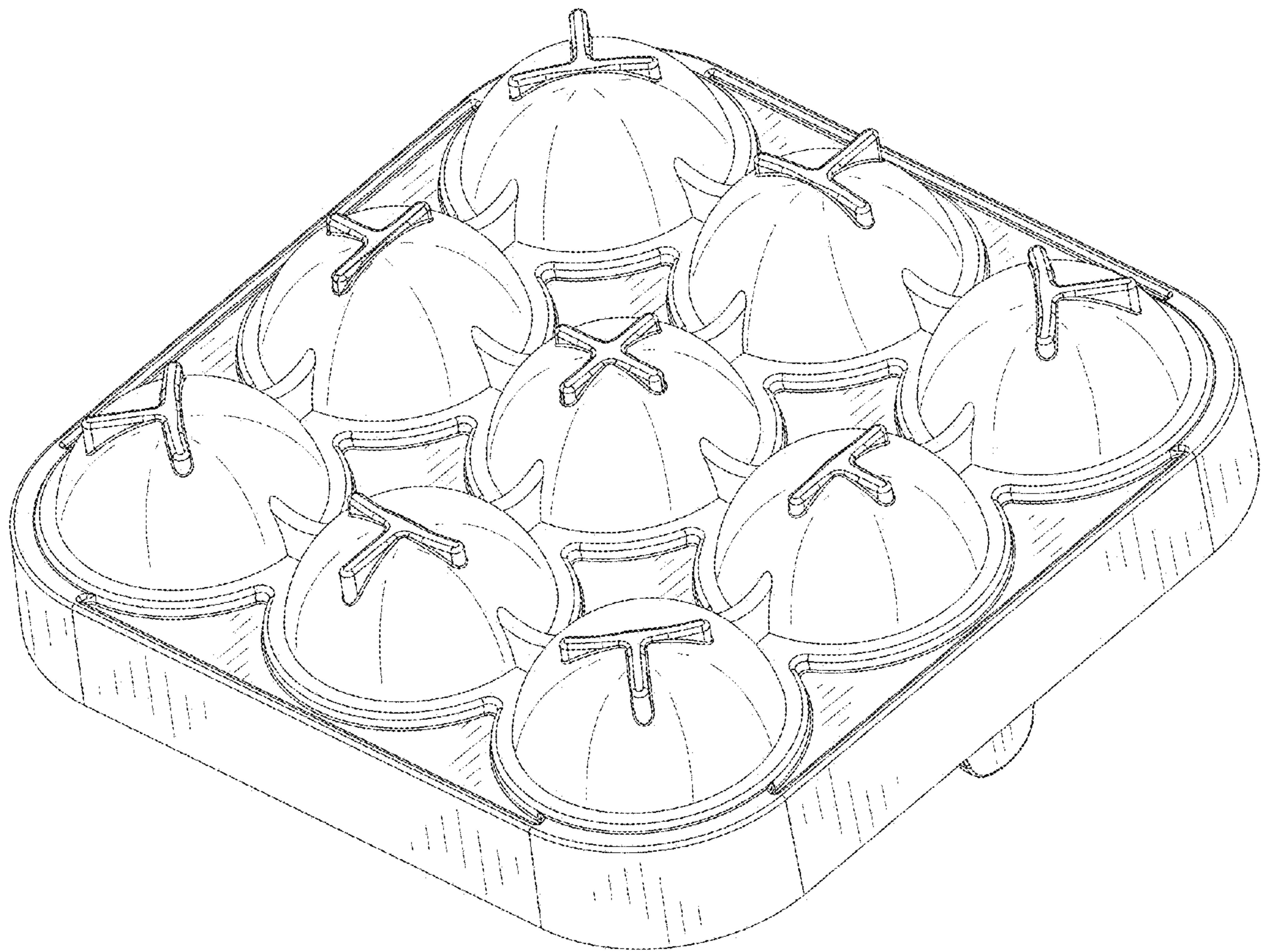


FIG.8

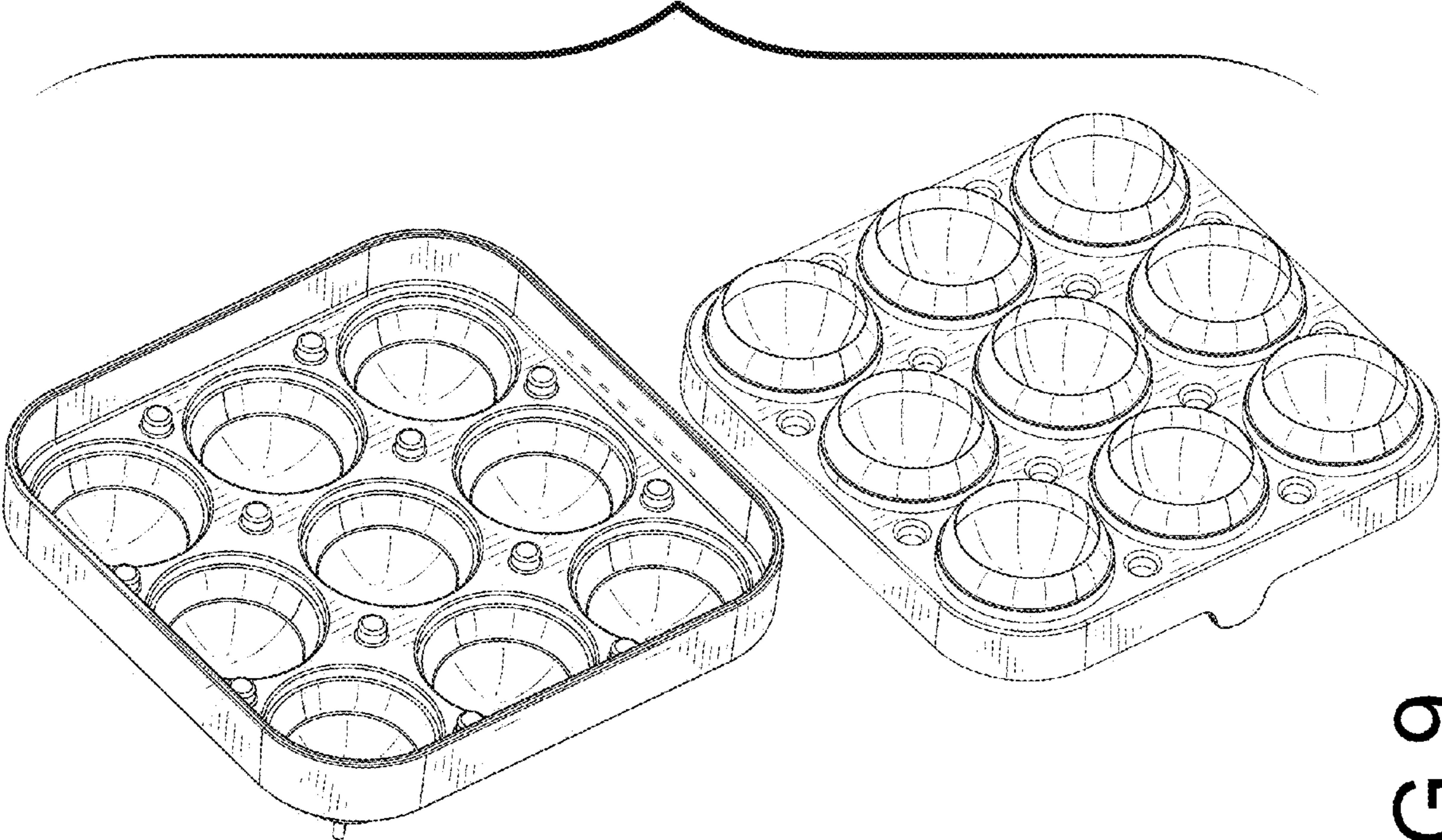


FIG. 9