



US00D915473S

(12) **United States Design Patent** (10) **Patent No.:** **US D915,473 S**
Hagner et al. (45) **Date of Patent:** **** Apr. 6, 2021**

(54) **OPERATOR STATION FOR WORK VEHICLE**

(56)

References Cited

(71) Applicant: **Deere & Company**, Moline, IL (US)

U.S. PATENT DOCUMENTS

(72) Inventors: **Thorsten Hagner**, Ilvesheim (DE);
Benjamin Jordan, Ankeny, IA (US);
Aaron Ritter, Milan, IL (US);
Benjamin J. Mueller, Bettendorf, IA (US);
Michael R. Gratton, Asbury, IA (US);
Sebastian Himpel, Mannheim (DE);
Eric Keen, Manhattan, KS (US);
Michael Thompson, Clayton, IN (US);
Mark DePoorter, Coal Valley, IL (US);
Felix Nagelin, Malibu, CA (US);
Nathan R. Demski, Durango, IA (US);
Dean Arden Boyce, Waterloo, IA (US);
Pradipkumar J. Tanpure, Bettendorf, IA (US)

D288,206 S	2/1987	Moscovitch	
D297,142 S	8/1988	Funabashi et al.	
D348,678 S	7/1994	Budde	
D353,704 S	12/1994	Bhambra	
D398,616 S	9/1998	Kwak et al.	
D416,266 S	11/1999	Del Torchio	
D424,580 S	5/2000	Moehle et al.	
D430,579 S	9/2000	Westendorf et al.	
D522,425 S	6/2006	Beigel et al.	
D528,134 S	9/2006	Vandendriessche et al.	
D531,646 S	11/2006	McCarren, Jr. et al.	
D531,647 S	* 11/2006	Stender	D15/30
D533,569 S	12/2006	Mursch	
D541,825 S	* 5/2007	Pettersson	D15/30
D541,826 S	5/2007	Brush et al.	
D561,205 S	* 2/2008	Pettersson	D15/30
D568,905 S	5/2008	Heusinger et al.	
D570,378 S	6/2008	Heusinger et al.	
D571,378 S	6/2008	Bernard et al.	
D579,028 S	* 10/2008	VanDeVeer	D15/30
D603,881 S	11/2009	Tamplain, III et al.	
D605,207 S	* 12/2009	Menges	D15/30
D613,224 S	4/2010	Beigel et al.	
D614,205 S	4/2010	Kuwae et al.	
D625,741 S	10/2010	Seidel et al.	
D628,599 S	12/2010	Major	
D629,017 S	12/2010	Major	
D632,704 S	2/2011	Seidel et al.	
D636,000 S	4/2011	Kim et al.	
D650,816 S	12/2011	Koponen et al.	
D659,722 S	5/2012	Blind et al.	
D660,879 S	5/2012	Laugerette	
D660,881 S	* 5/2012	Bohme	D15/30
D667,851 S	* 9/2012	Warr	D15/30
D668,693 S	10/2012	Ringer	
D670,744 S	11/2012	Ewringmann	
D670,745 S	* 11/2012	Warr	D15/30
D671,566 S	* 11/2012	Fang	D15/30
D674,410 S	1/2013	Blind et al.	
D674,820 S	1/2013	Budde	
D674,821 S	1/2013	Budde	
D676,463 S	2/2013	Ewringmann et al.	
D687,868 S	* 8/2013	Watson	D15/30
D720,370 S	* 12/2014	Carter	D15/30
D721,742 S	1/2015	Lee et al.	
D721,994 S	2/2015	Graber et al.	
D728,631 S	5/2015	Richard et al.	
D734,781 S	7/2015	Schnering et al.	
D736,270 S	8/2015	Jackson et al.	

(73) Assignee: **DEERE & COMPANY**, Moline, IL (US)

(**) Term: **15 Years**

(21) Appl. No.: **29/647,298**

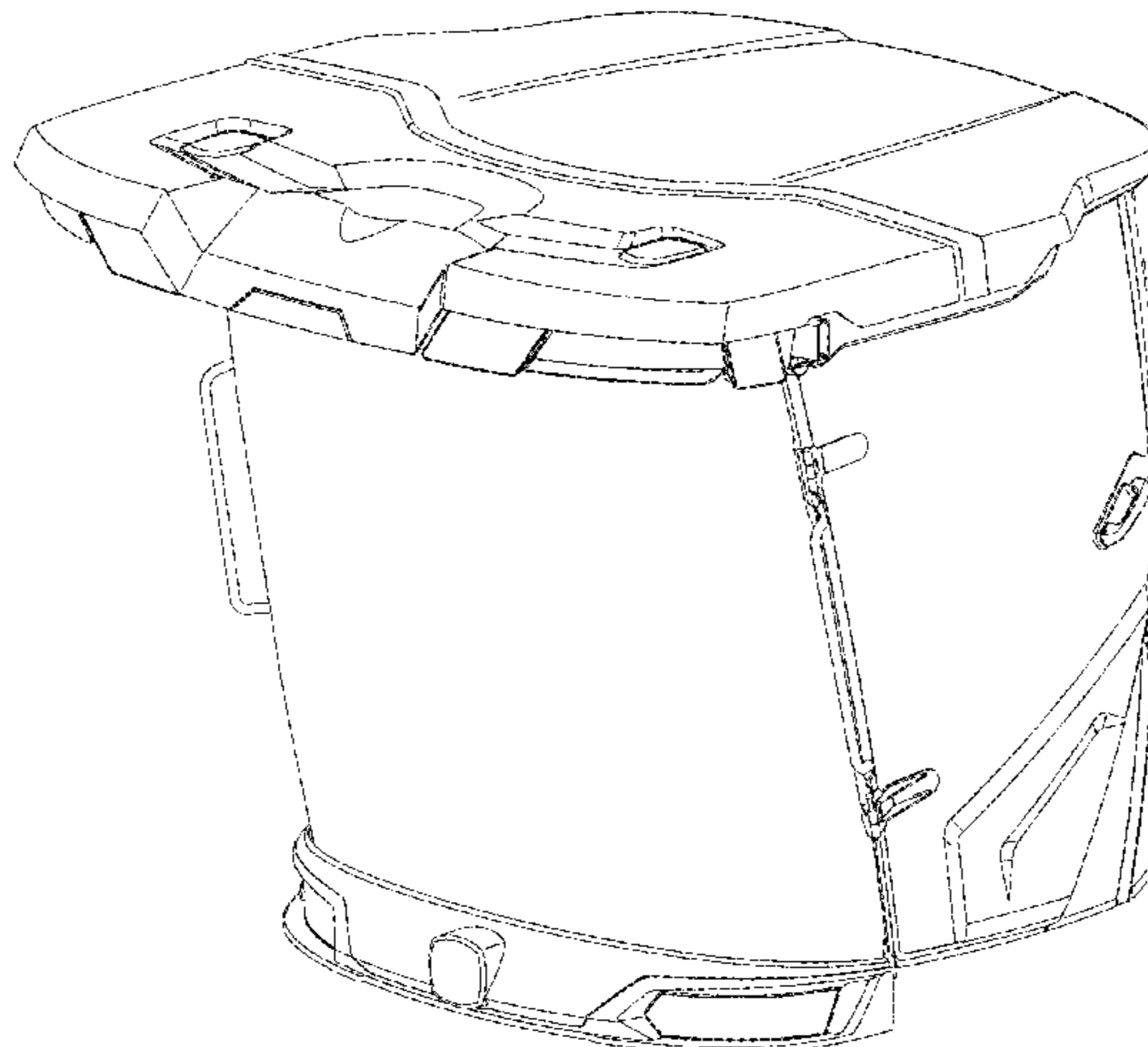
(22) Filed: **May 11, 2018**

(51) **LOC (13) Cl.** **15-03**

(52) **U.S. Cl.**
USPC **D15/30**

(58) **Field of Classification Search**
USPC D15/10, 22-26, 28, 30; 180/89.1, 89.12, 180/89.13, 900, 9.1, 9.2, 9.62; 37/379; 414/694, 699, 722-724, 660, 685, 698, 414/719, 743
CPC E02F 3/32; E02F 3/76; E02F 3/40; E02F 3/325; E02F 3/352; E02F 3/384; E02F 3/425; E02F 3/437; E02F 3/627; E02F 3/964; E02F 9/163; E02F 9/0858; E02F 9/0875; E02F 9/2045; E02F 9/006; E02F 9/0808; E02F 9/0833; E02F 9/2004; E02F 9/207; E02F 9/2091; E02F 9/2246; E02F 9/2292

See application file for complete search history.



D749,148 S	*	2/2016	Darekar	D15/30
D749,149 S	*	2/2016	McAdam	D15/30
D751,611 S		3/2016	Smith et al.	
D774,111 S		12/2016	Underhill et al.	
D775,244 S		12/2016	Hart et al.	
D777,805 S		1/2017	Steinhardt et al.	
D780,231 S		2/2017	Saari et al.	
D780,232 S		2/2017	Saari et al.	
D780,233 S		2/2017	Saari et al.	
D780,235 S		2/2017	Kim	
D784,425 S		4/2017	Cooksey et al.	
D786,945 S		5/2017	Smith et al.	
D871,462 S	*	12/2019	Svitek	D15/30
D874,524 S	*	2/2020	Iwata	D15/30
D877,209 S	*	3/2020	Winkel	D15/30

OTHER PUBLICATIONS

50 HP Blue Sonalika DI 47 Rx Tractor, retrieved from Internet <<https://www.indiamart.com/proddetail/sonalika-di-47-rx-tractor-19114279955.html>> Jun. 26, 2019, 5 pages.

CASE Farmall A Series Tractors Brochure, 2011, 7 pages.

CASE Farmall C Tractors Brochure, 2013, 16 pages.

CASE Farmall U Tractors Brochure 11-13, 2013, 12 pages.

CASE Maxxum Series Tractors Brochure, 2012, 24 pages.

CASE Steiger Tractor Brochure, 2014, 32 pages.

Challenger MT 465 B Tractor Decals, retrieved from Internet <<https://equipment-decals.myshopify.com/products/phallenger-mt-465-b-tractor-decals>> Jun. 26, 2019, 5 pages.

Deutz 5 series brochure, publicly available before May 2015, 24 pages.

Deutz 308 8514 34-1 Series 7 Agroton, publicly available before May 2015, 28 pages.

Deutz-Fahr, Deutz Agroclimber F-V—Tractors Crawlers, retrieved from internet <<http://www.deutz-fahr.com/en-US/products/tractors/722-agroclimber-f-v>> May 19, 2015, 5 pages.

Deutz Agrofarm-g brochure, publicly available before May 2015, 11 pages.

Deutz-Fahr, Deutz Agrolux 65-75—Tractors Open field, retrieved from internet <<http://www.deutz-fahr.com/en-US/products/tractors/835-agrolux-65-75>> May 19, 2015, 4 pages.

Deutz-Fahr, Deutz Agrolux 310-320-410—Tractors Open field, retrieved from internet <<http://www.deutz-fahr.com/en-US/products/tractors/864-agrolux-310-320-410>> May 19, 2015, 4 pages.

AGCO, Fendt 200Vario, publicly available before May 2015, 17 pages.

John Deere Pedal Tractor Decals Tractors, retrieved from internet <<http://todayview.co/ideas/>> Jun. 26, 2019, 3 pages.

Mahindra JIVO 245, retrieved from internet <<https://tractorsinfo.com/mahindra-jivo-245-di-4wd-mini-tractor-price-list/>> Jun. 26, 2019, 9 pages.

Mahindra Tractor JIVO 245 DI, retrieved from internet <<https://www.tractorjunction.com/product/370/mahindra-tractor-ivo-245-di>> Jun. 26, 2019, 5 pages.

Solis 75N Traktor Schlepper Kein New Holland, retrieved from internet <<https://www.mascus.com/agriculture/used-tractors/solis-75n-traktor-schlepper-kein-new-h>> Jun. 26, 2019, 3 pages.

Tractor Decals, retrieved from Internet <<https://www.indiamart.com/proddetail/tractor-decals-10179545988.html>>, Jun. 29, 2019, 4 pages.

Mahindra targets 50% share in domestic tractor market with Trakstar brand, retrieved from Internet <<https://www.moneycontrol.com/news/technology/auto/mahindra-targets-50-share-in-domestic-tractor-market-with-trakstar-brand-2645381.html>> Jun. 27, 2019, 6 pages.

Hagner et al., Operator Station for Work Vehicle, unpublished design U.S. Appl. No. 29/647,298, filed May 11, 2018, 101 pages.

Big 4, available at least as early as May 2015, 1 page.

Cub Cadet, available at least as early as May 2015, 1 page.

Massey Ferguson, available at least as early as May 2015, 1 page.

International Harvester, available at least as early as May 2015, 1 page.

Deutz-Fahr (7250 TTV Warrior), available at least as early as May 2015, 4 pages.

Deere & Co., Deere 8R-8RT Series, 2015, 6 pages.

AGCO, Fendt 900 Series, 2012, 28 pages.

CASE Magnum 180-380 Brochure, 2014, 28 pages.

AGCO, Fendt 300Vario, available at least as early as May 2015, 23 pages.

AGCO, Fendt 500Vario, available at least as early as May 2015, 25 pages.

AGCO, Fendt 700 series brochure, 2012, 32 pages.

AGCO, Fendt 800 Vario, 2014, 4 pages.

AGCO, Fendt X Concept Tractors, retrieved from <<http://www.fendt.com/us/2466.asp>> May 18, 2015, 3 pages.

CASE Puma Series Brochure, 2011, 28 pages.

Deutz-Fahr 6 Series, available at least as early as May 2015, 32 pages.

Deere Flared Fenders, available at least as early as May 2015, 1 page.

Deere Reverse Decal, available at least as early as May 2015, 1 page.

Agritechnica 2017—Gold and Silver, <https://www.agritechnica.com/en/innovation-award/gold-and-silver/>, accessed Feb/ 5, 2017, 18 pages.

* cited by examiner

Primary Examiner — Mark A Goodwin
(74) *Attorney, Agent, or Firm* — Klintworth & Rozenblat IP LLP; Steven J. Wietrzny

(57) CLAIM

The ornamental design for an operator station for work vehicle, as shown and described.

DESCRIPTION

FIG. 1 is a front, first side perspective view of an operator station for work vehicle according to one embodiment of our new design;

FIG. 2 is a front elevation view thereof;

FIG. 3 is a rear elevation view thereof;

FIG. 4 is a first side elevation view thereof;

FIG. 5 is a second elevation view thereof;

FIG. 6 is a top plan view thereof;

FIG. 7 is a front, first side perspective view of an operator station for work vehicle as in the FIG. 1 embodiment, shown with surface shading;

FIG. 8 is a front elevation view thereof;

FIG. 9 is a rear elevation view thereof;

FIG. 10 is a first side elevation view thereof;

FIG. 11 is a second elevation view thereof;

FIG. 12 is a top plan view thereof;

FIG. 13 is a front, first side perspective view of an operator station for work vehicle as in the embodiment of FIG. 1, shown without surface shading and with example work vehicle environment in dashed line;

FIG. 14 is a front elevation view thereof;

FIG. 15 is a rear elevation view thereof;

FIG. 16 is a first side elevation view thereof;

FIG. 17 is a second elevation view thereof;

FIG. 18 is a top plan view thereof;

FIG. 19 is a front, first side perspective view of an operator station for work vehicle as in the embodiment of FIG. 1, shown with surface shading and example work vehicle environment in dashed line;

FIG. 20 is a front elevation view thereof;

FIG. 21 is a rear elevation view thereof;

FIG. 22 is a first side elevation view thereof;

FIG. 23 is a second elevation view thereof;

FIG. 24 is a top plan view thereof;

FIG. 25 is a front, first side perspective view of an operator station for work vehicle according to another embodiment of our new design;

FIG. 26 is a front elevation view thereof;

FIG. 27 is a rear elevation view thereof;

FIG. 28 is a first side elevation view thereof;

FIG. 29 is a second elevation view thereof;

FIG. 30 is a top plan view thereof;

FIG. 31 is a front, first side perspective view of an operator station for work vehicle as in the FIG. 25 embodiment, shown with surface shading;

FIG. 32 is a front elevation view thereof;

FIG. 33 is a rear elevation view thereof;

FIG. 34 is a first side elevation view thereof;

FIG. 35 is a second elevation view thereof;

FIG. 36 is a top plan view thereof;

FIG. 37 is a front, first side perspective view of an operator station for work vehicle as in the embodiment of FIG. 25,

shown without surface shading and with example work vehicle environment in dashed line;

FIG. 38 is a front elevation view thereof;

FIG. 39 is a rear elevation view thereof;

FIG. 40 is a first side elevation view thereof;

FIG. 41 is a second elevation view thereof;

FIG. 42 is a top plan view thereof;

FIG. 43 is a front, first side perspective view of an operator station for work vehicle as in the embodiment of FIG. 25, shown with surface shading and example work vehicle environment in dashed line;

FIG. 44 is a front elevation view thereof;

FIG. 45 is a rear elevation view thereof;

FIG. 46 is a first side elevation view thereof;

FIG. 47 is a second elevation view thereof; and,

FIG. 48 is a top plan view thereof.

The broken lines illustrate environmental structure that forms no part of the claimed design.

1 Claim, 48 Drawing Sheets

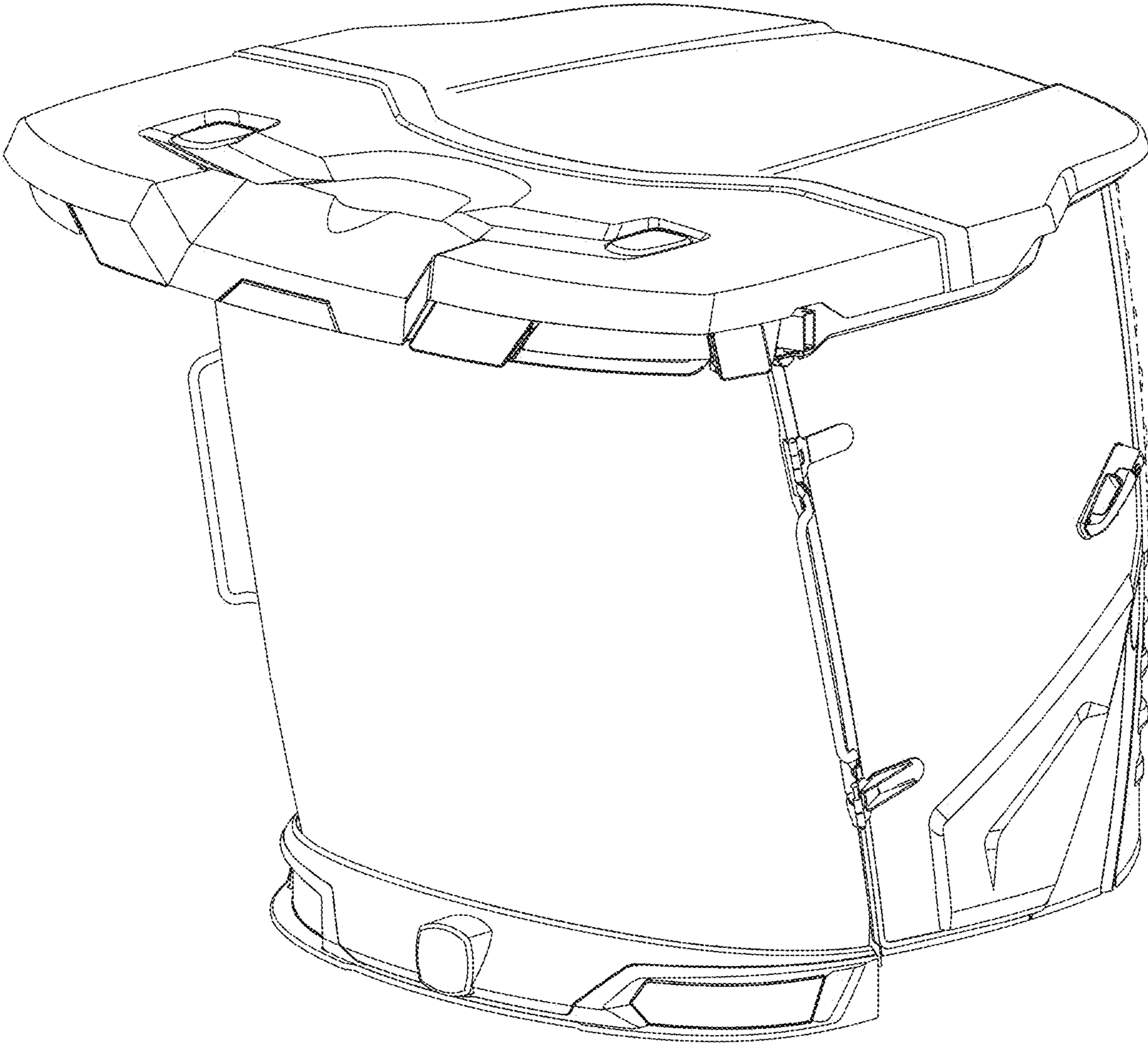


FIG. 1

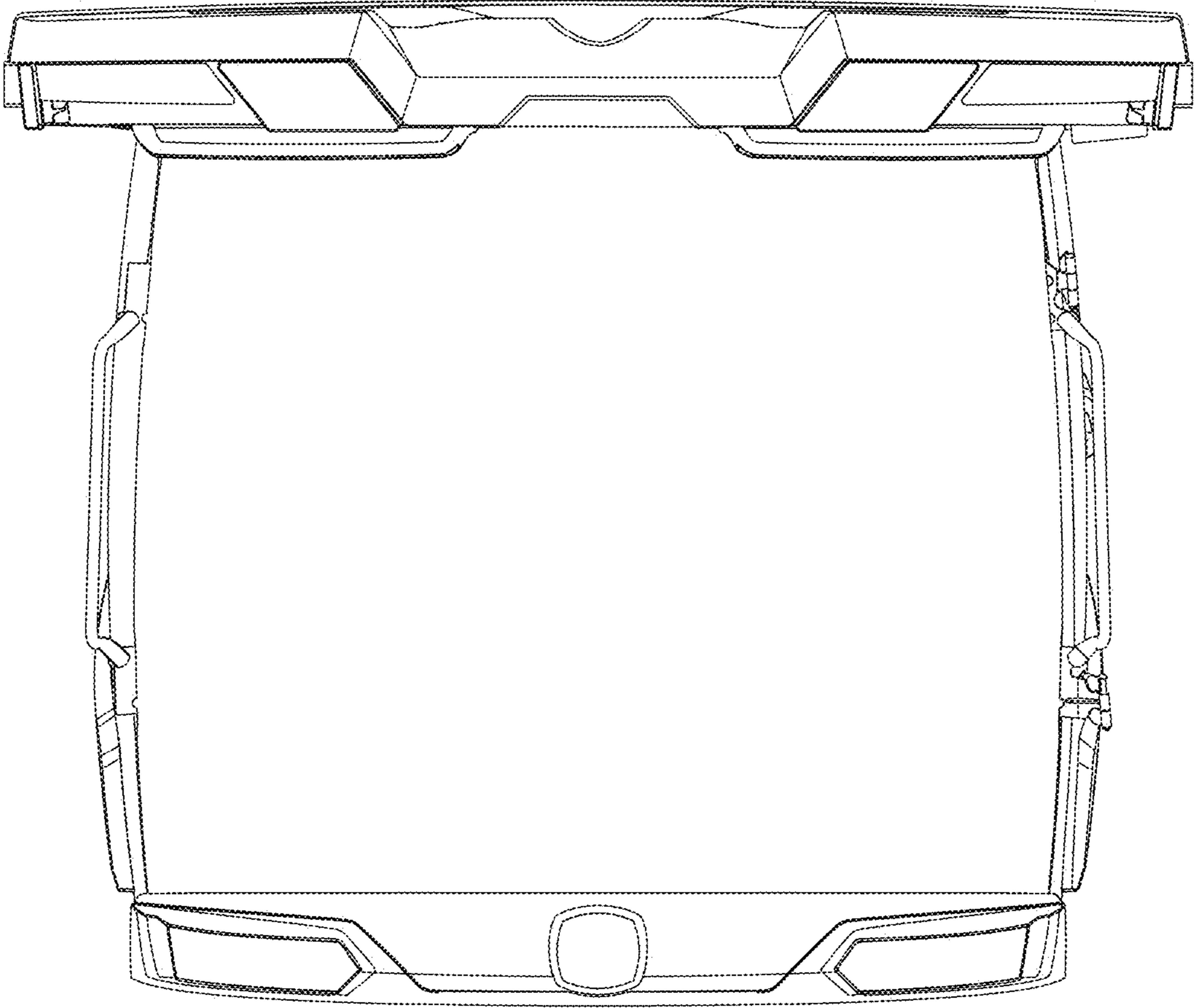


FIG. 2

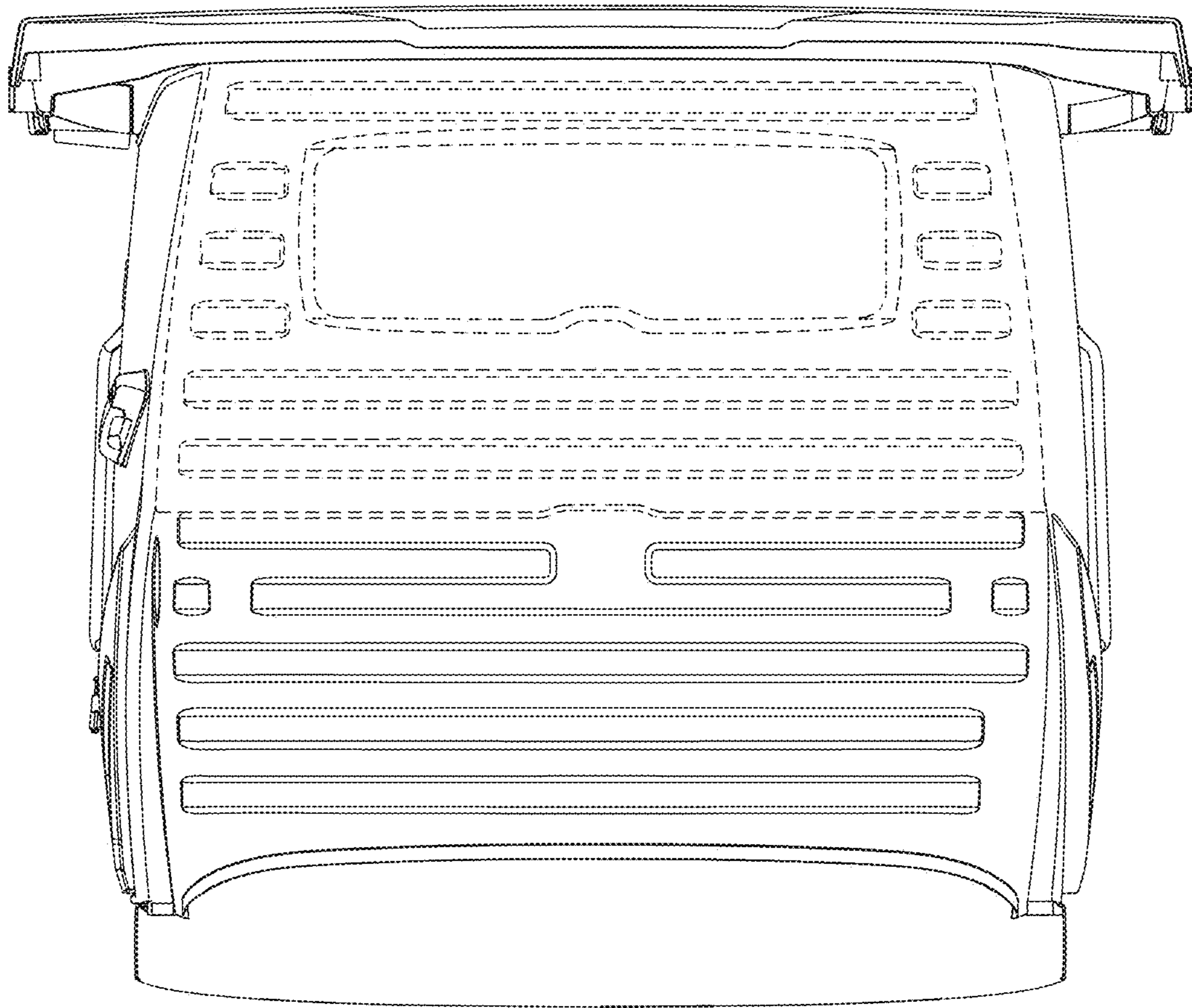


FIG. 3

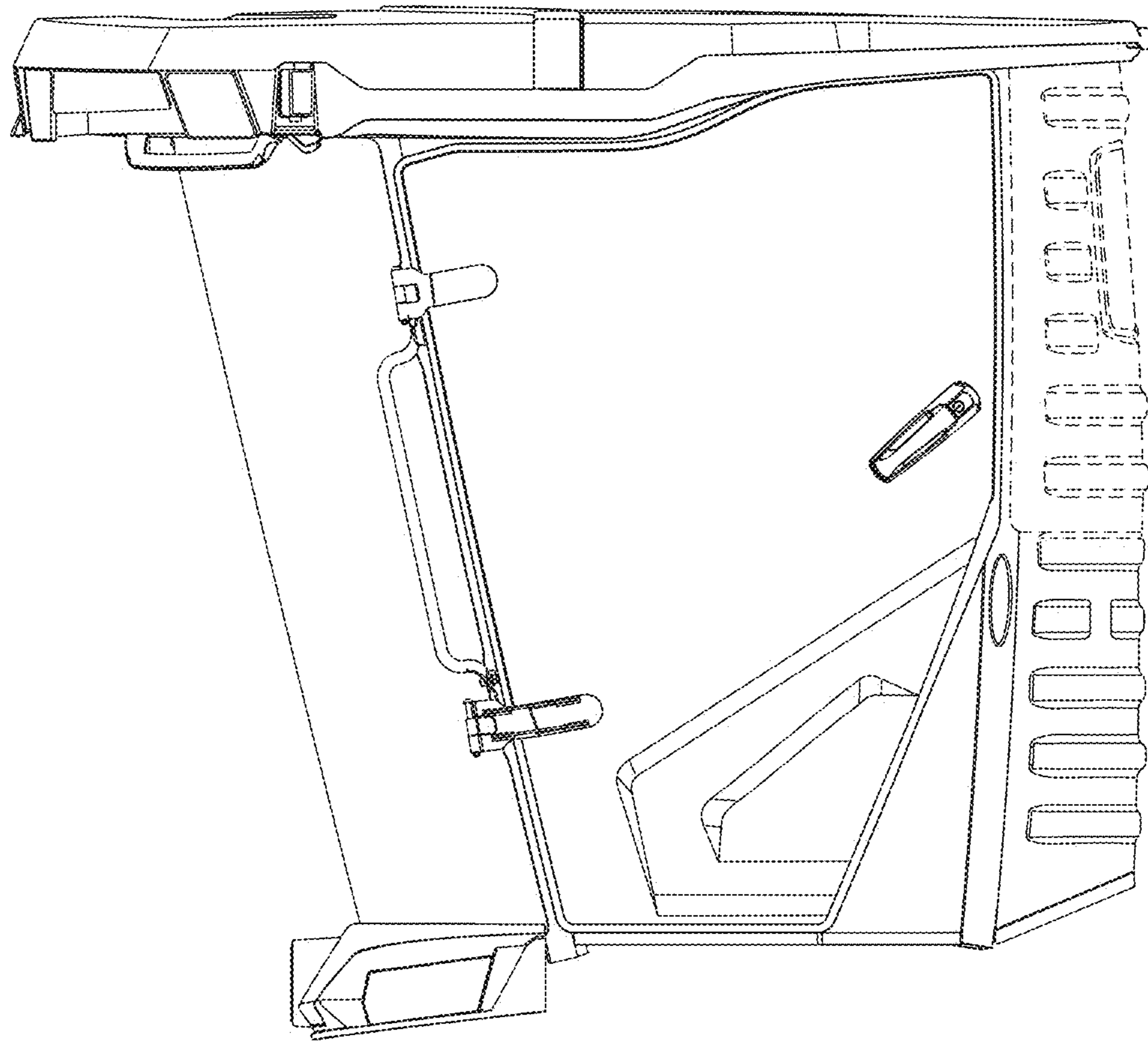


FIG. 4

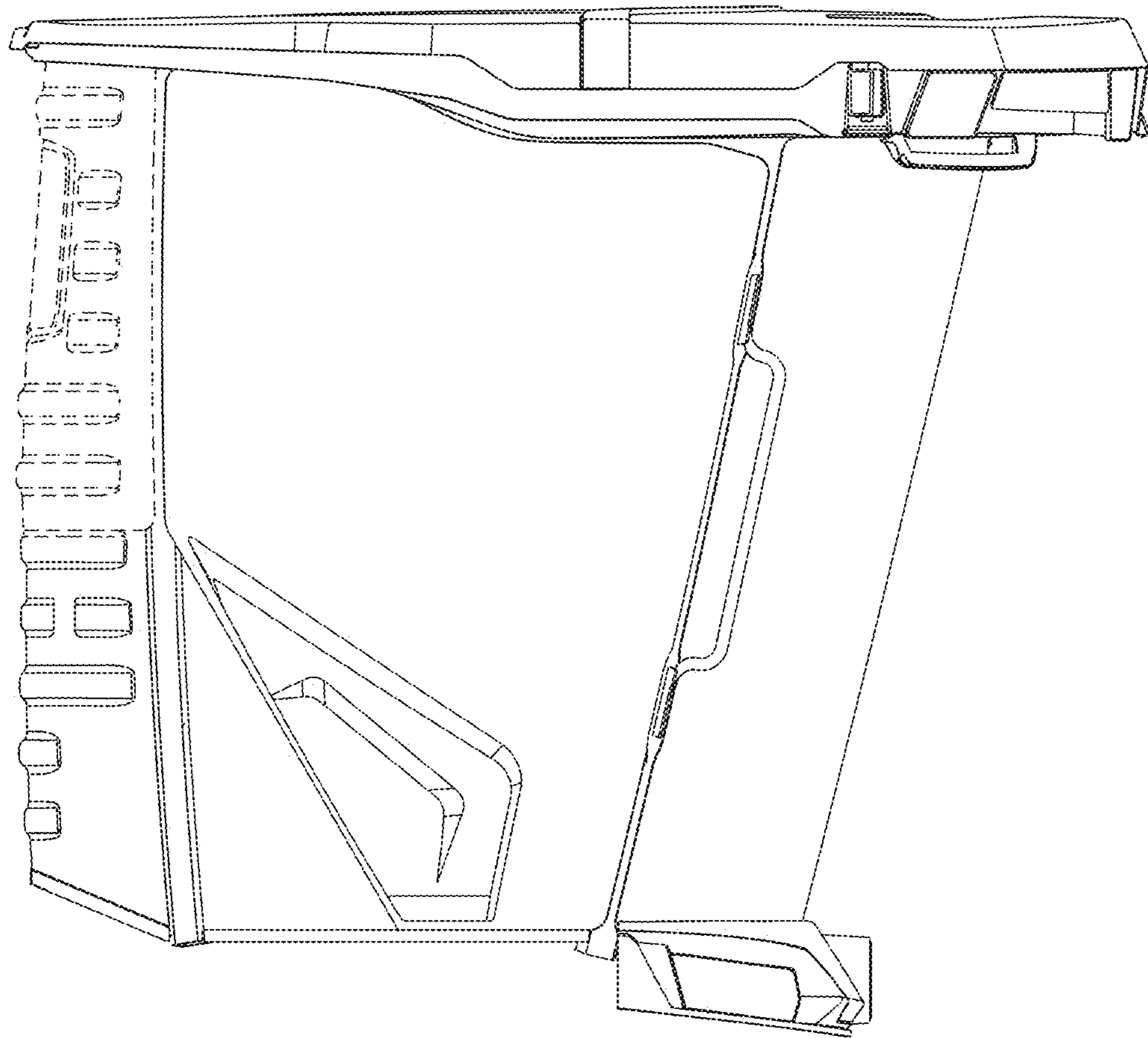


FIG. 5

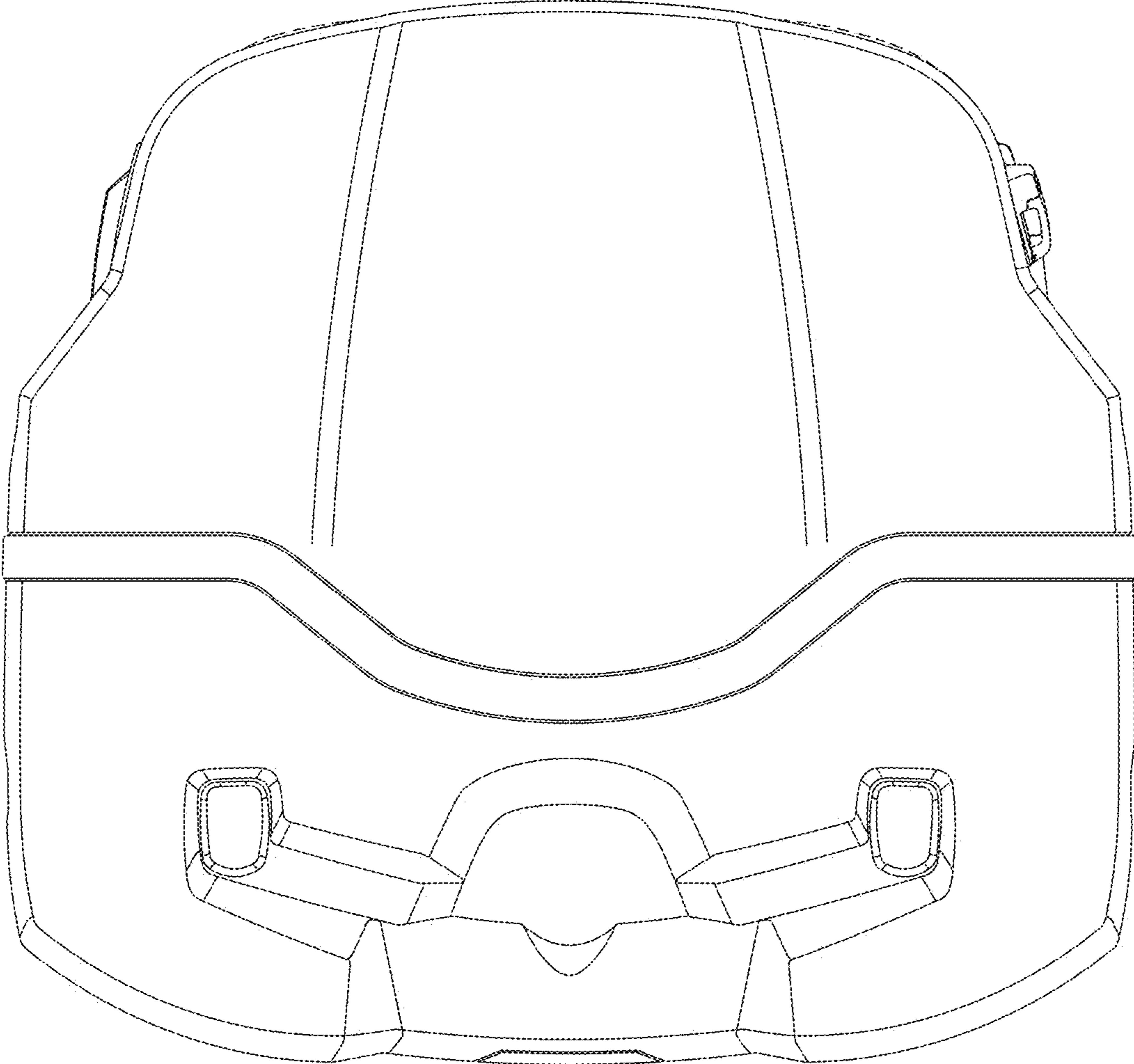


FIG. 6

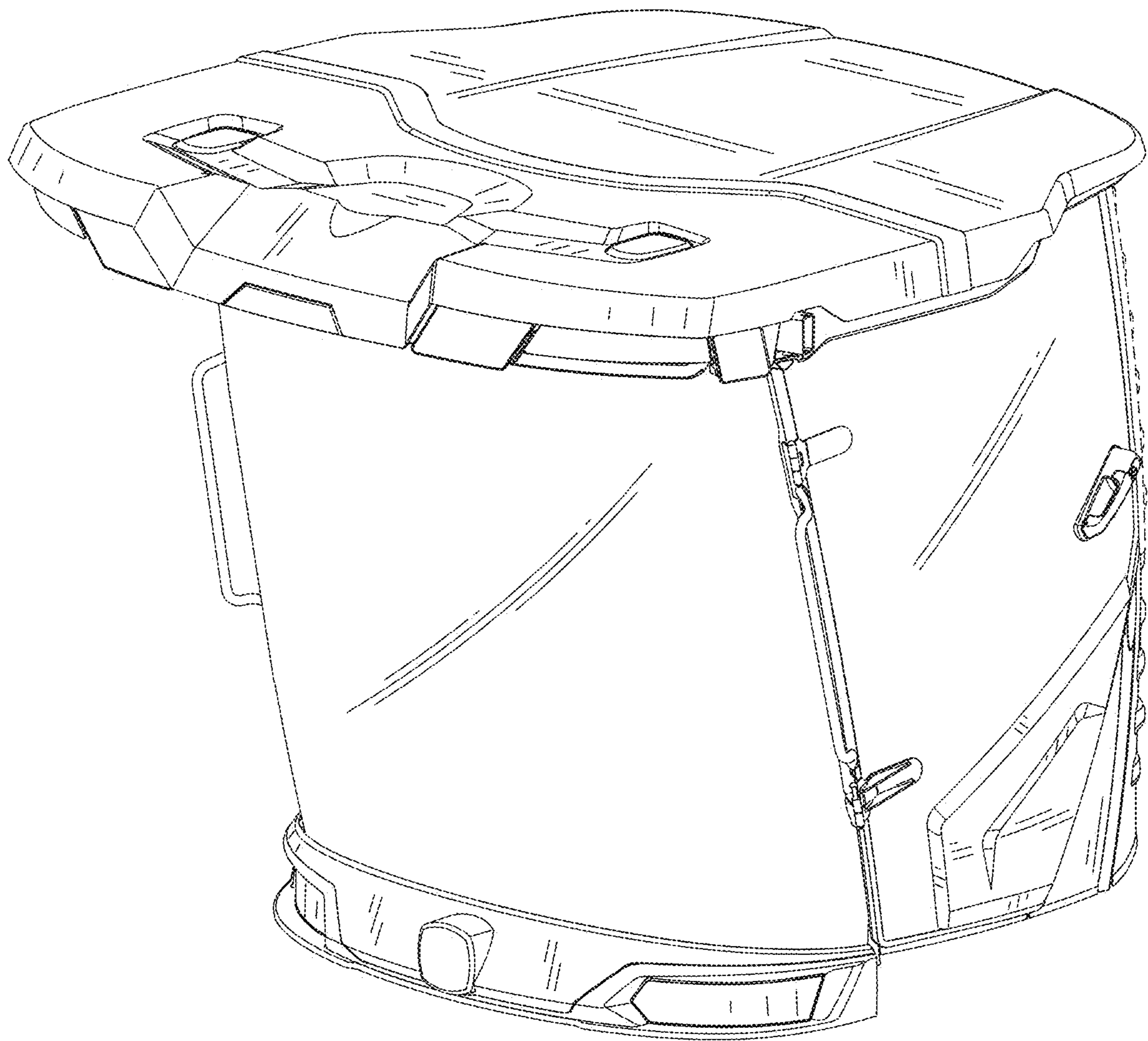


FIG. 7

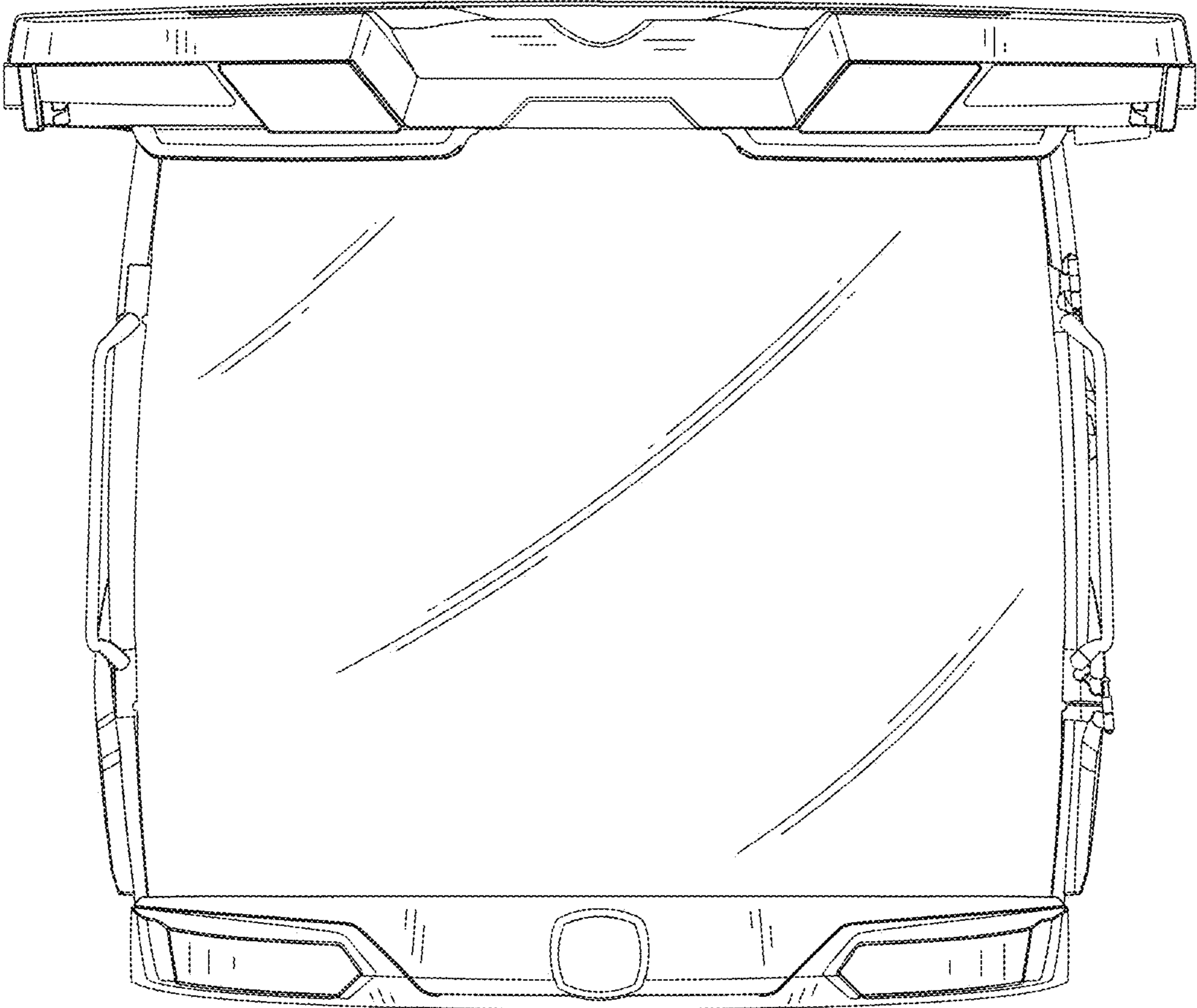


FIG. 8

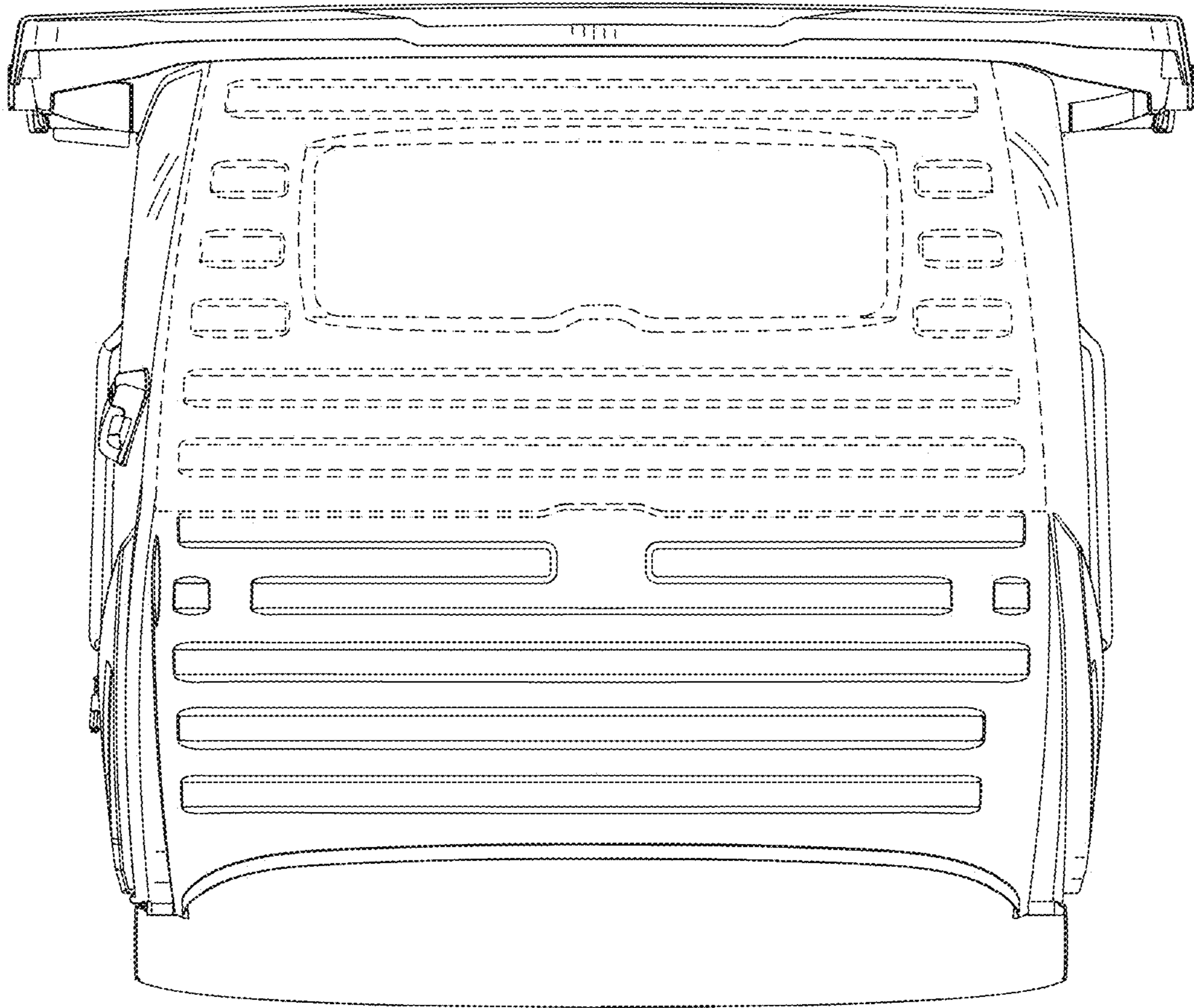


FIG. 9

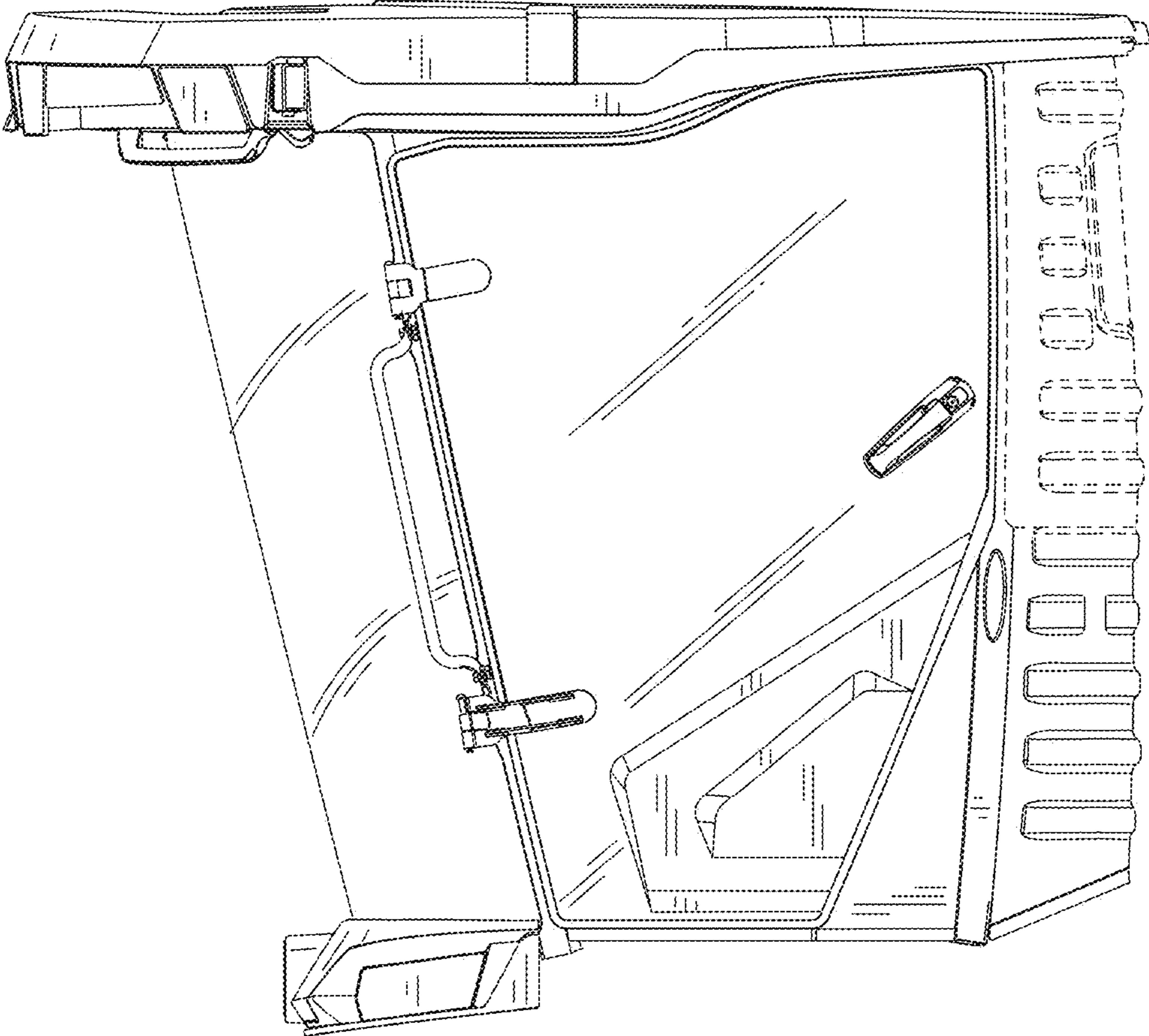


FIG. 10

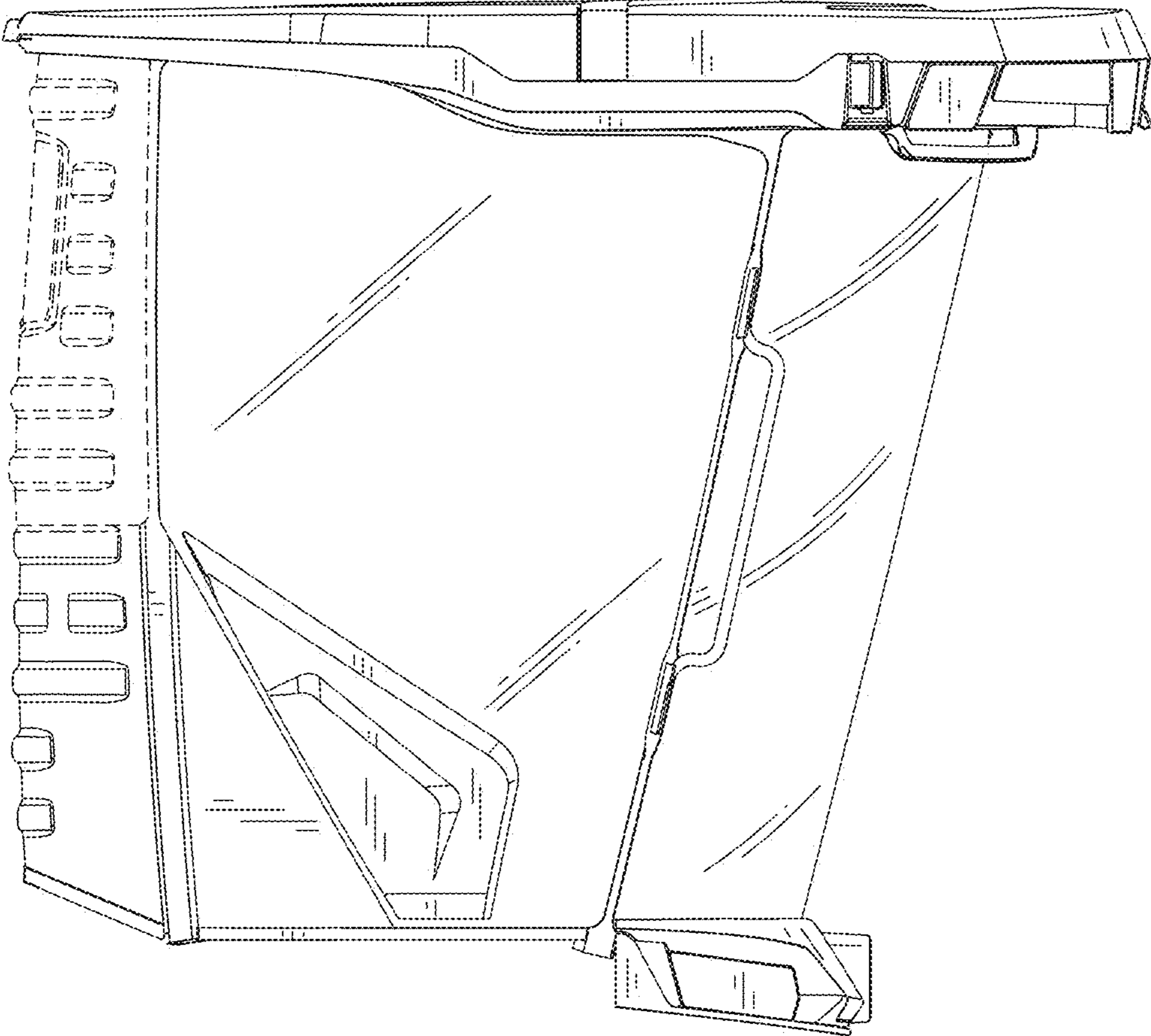


FIG. 11

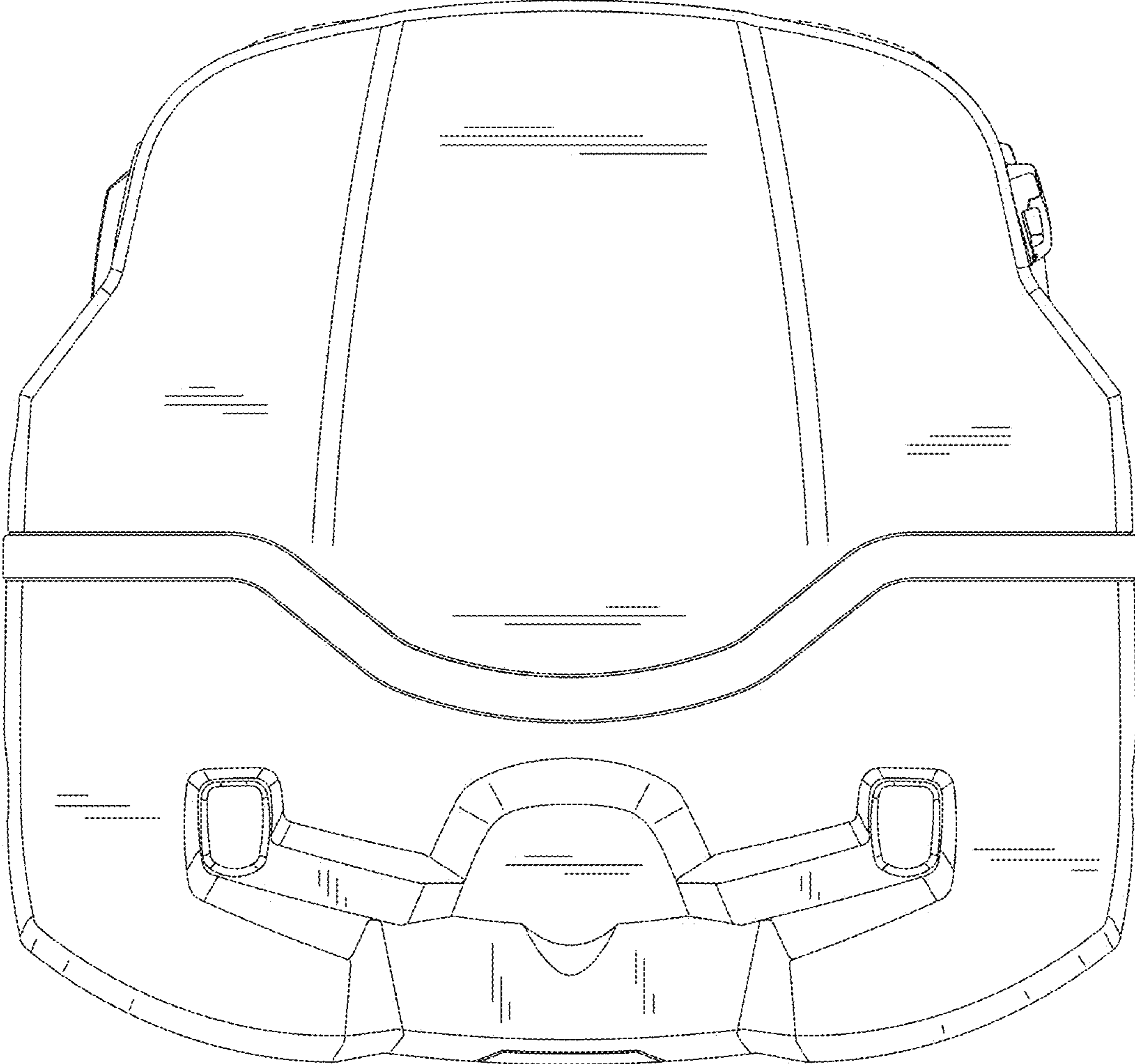


FIG. 12

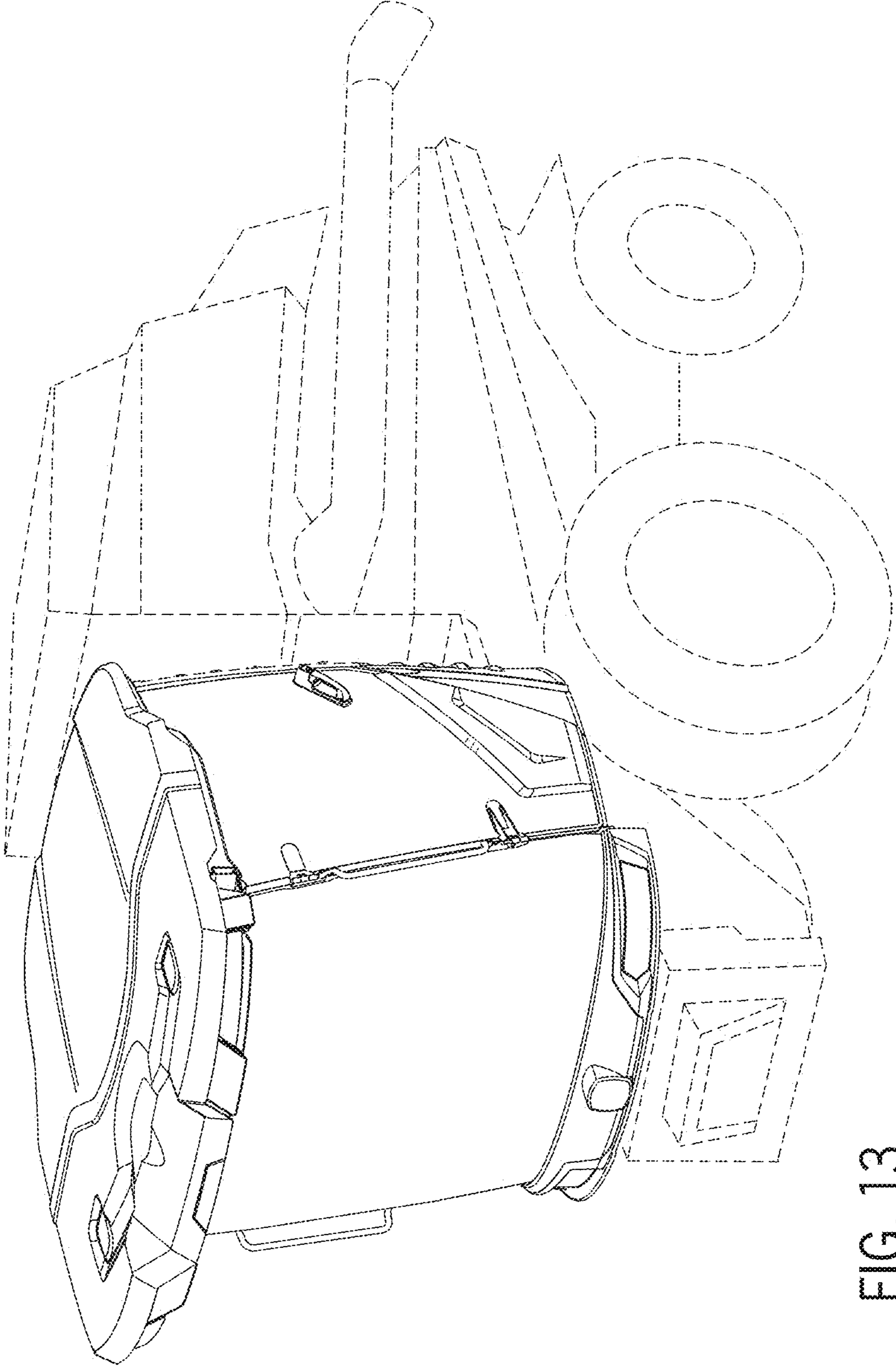


FIG. 13

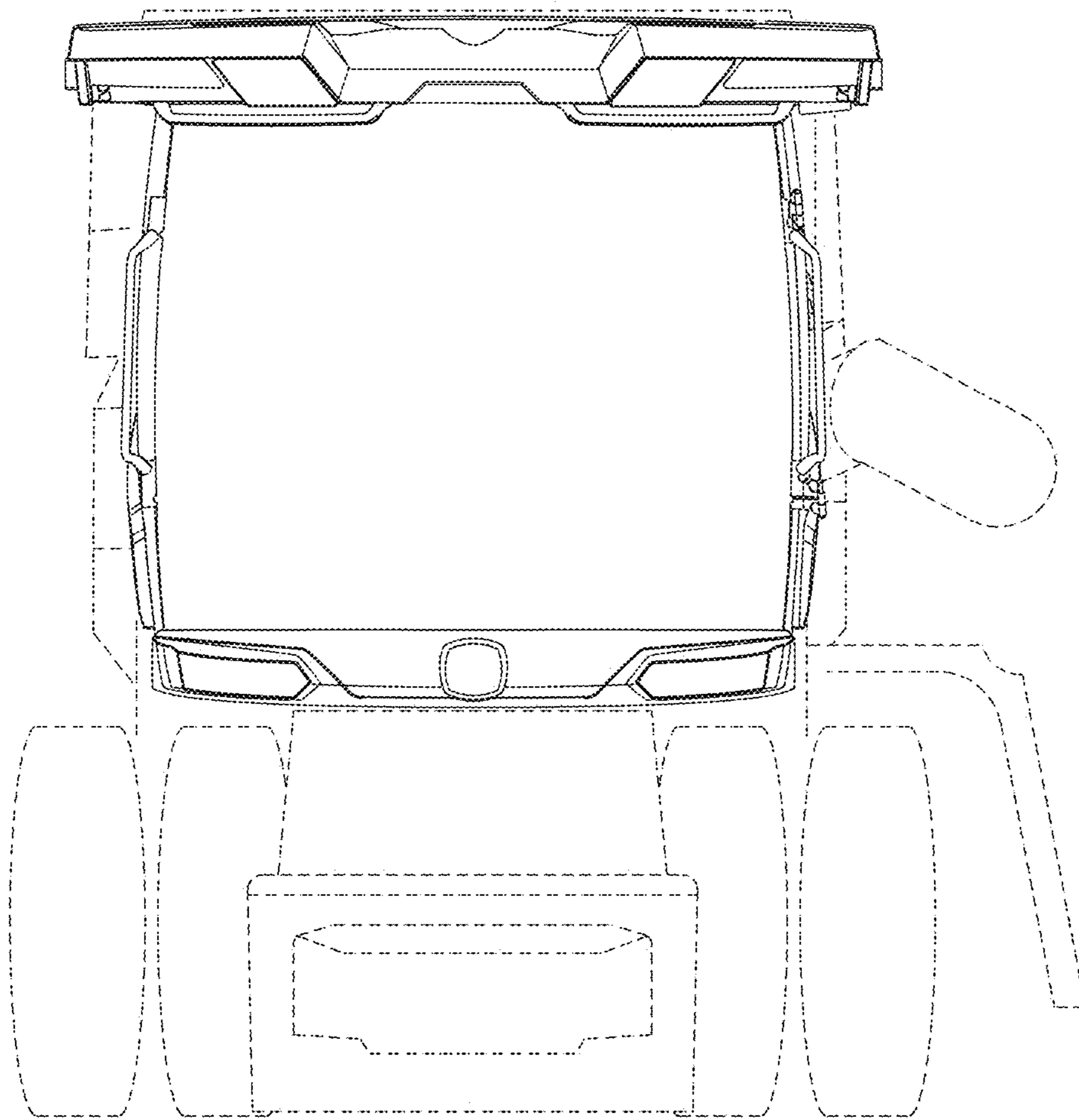


FIG. 14

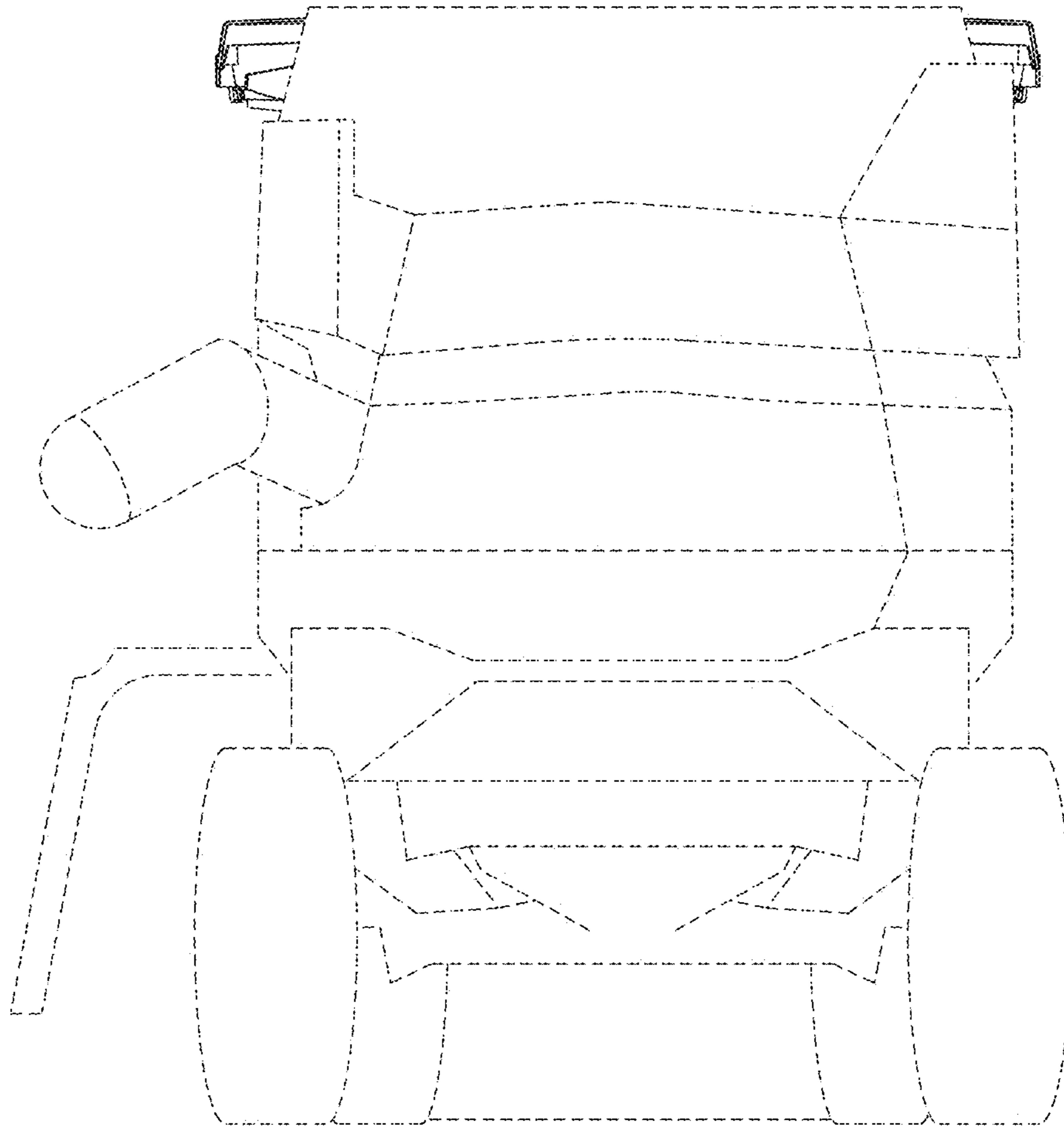


FIG. 15

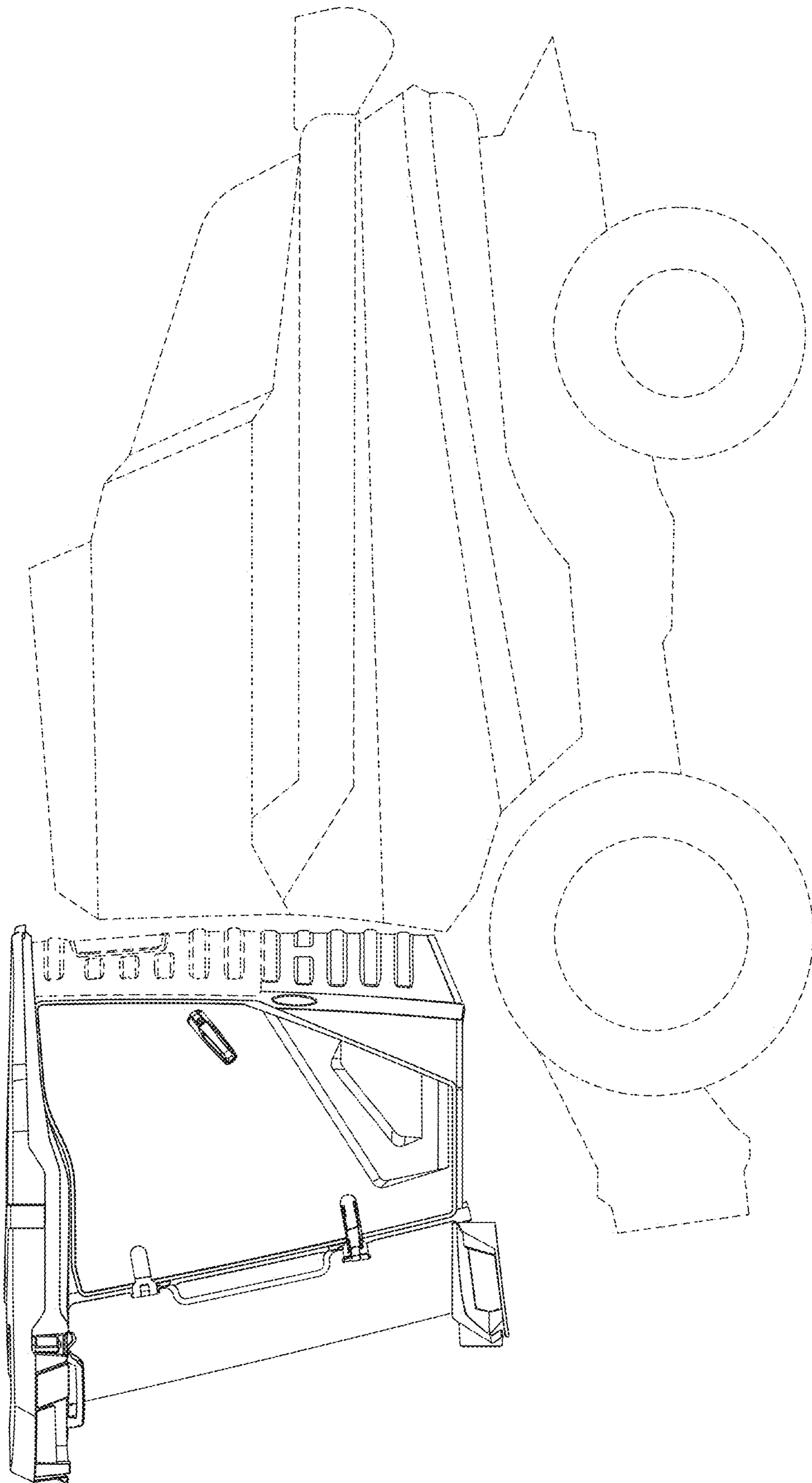


FIG. 16

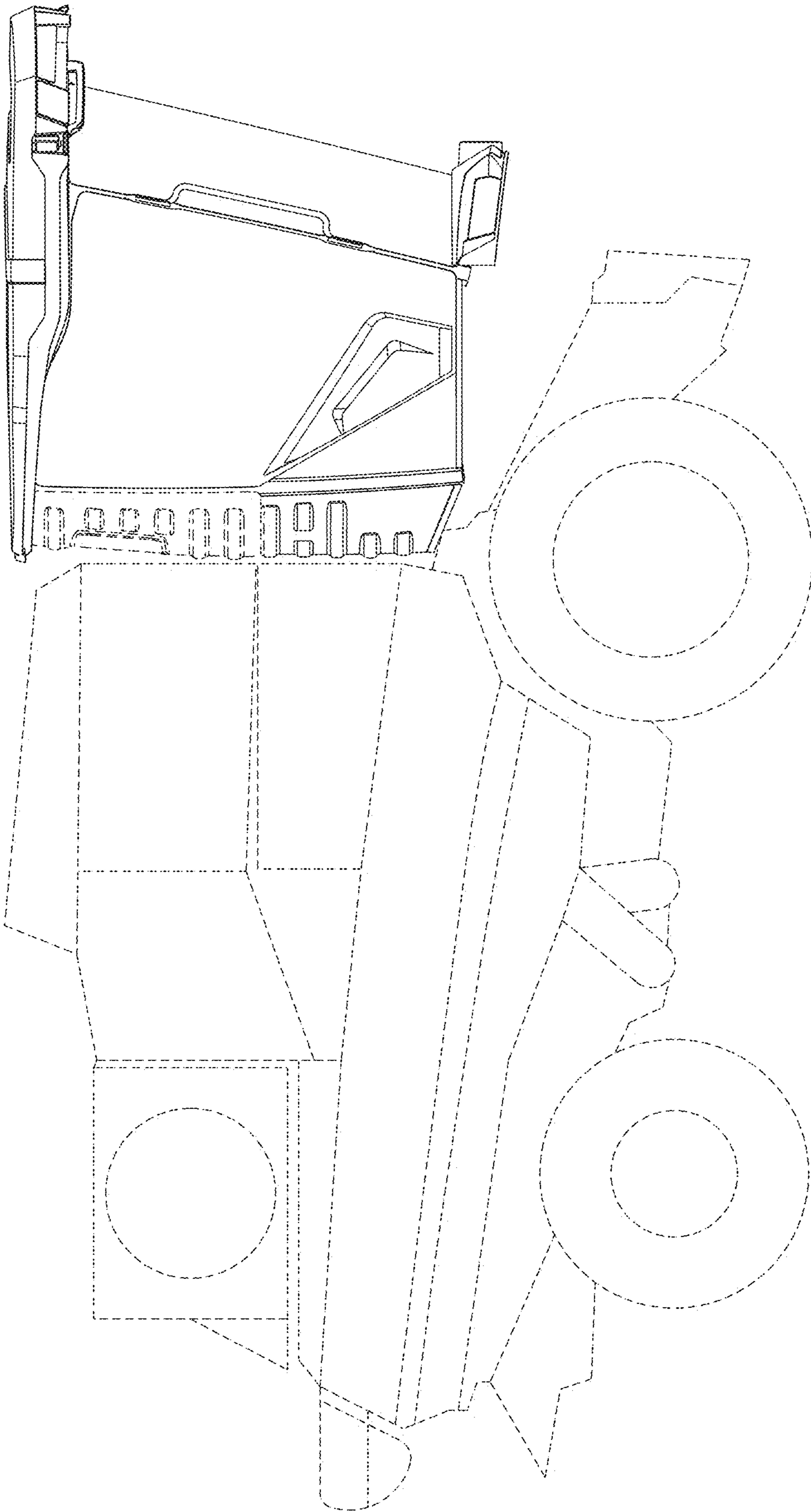
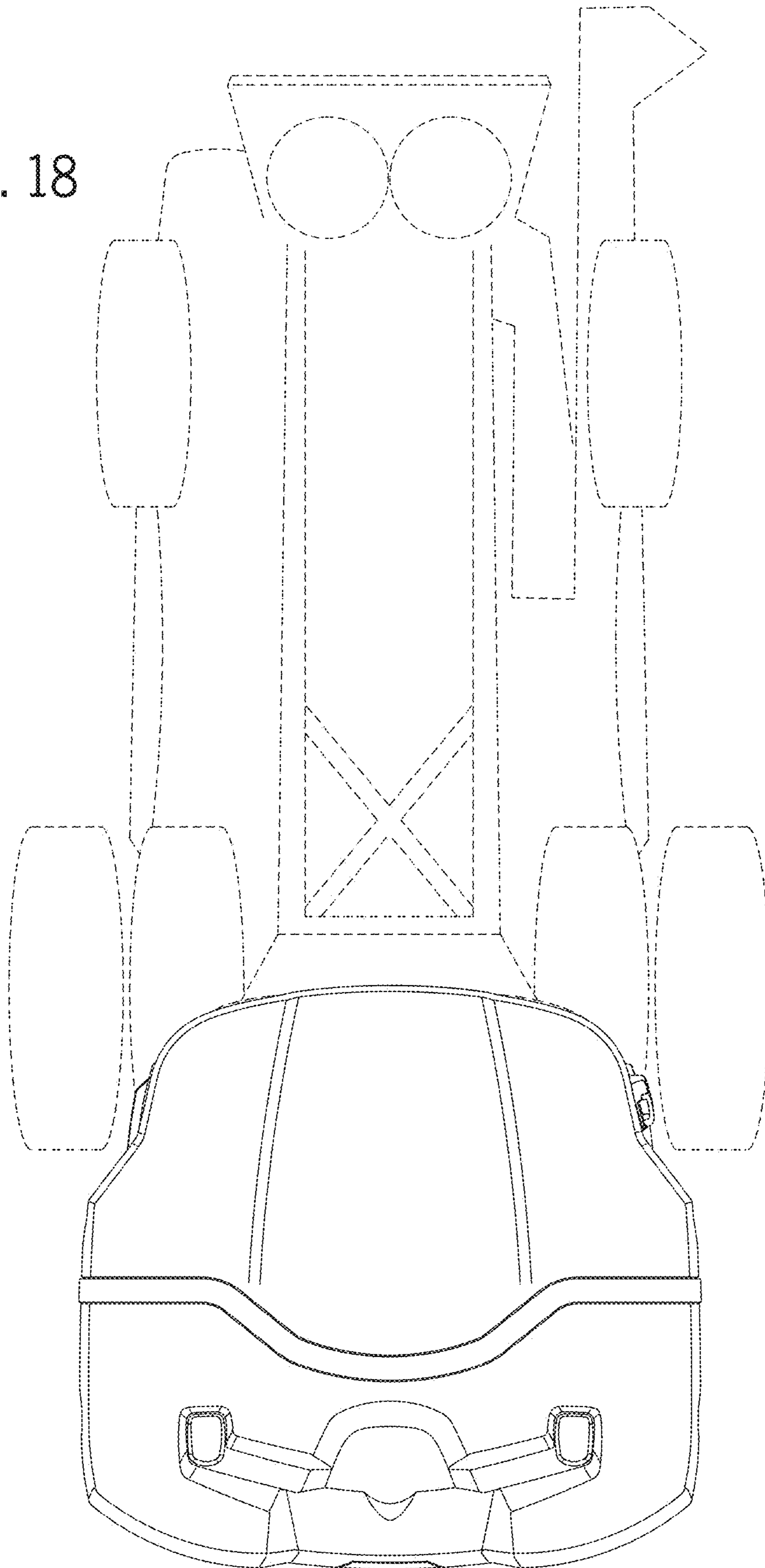


FIG. 17

FIG. 18



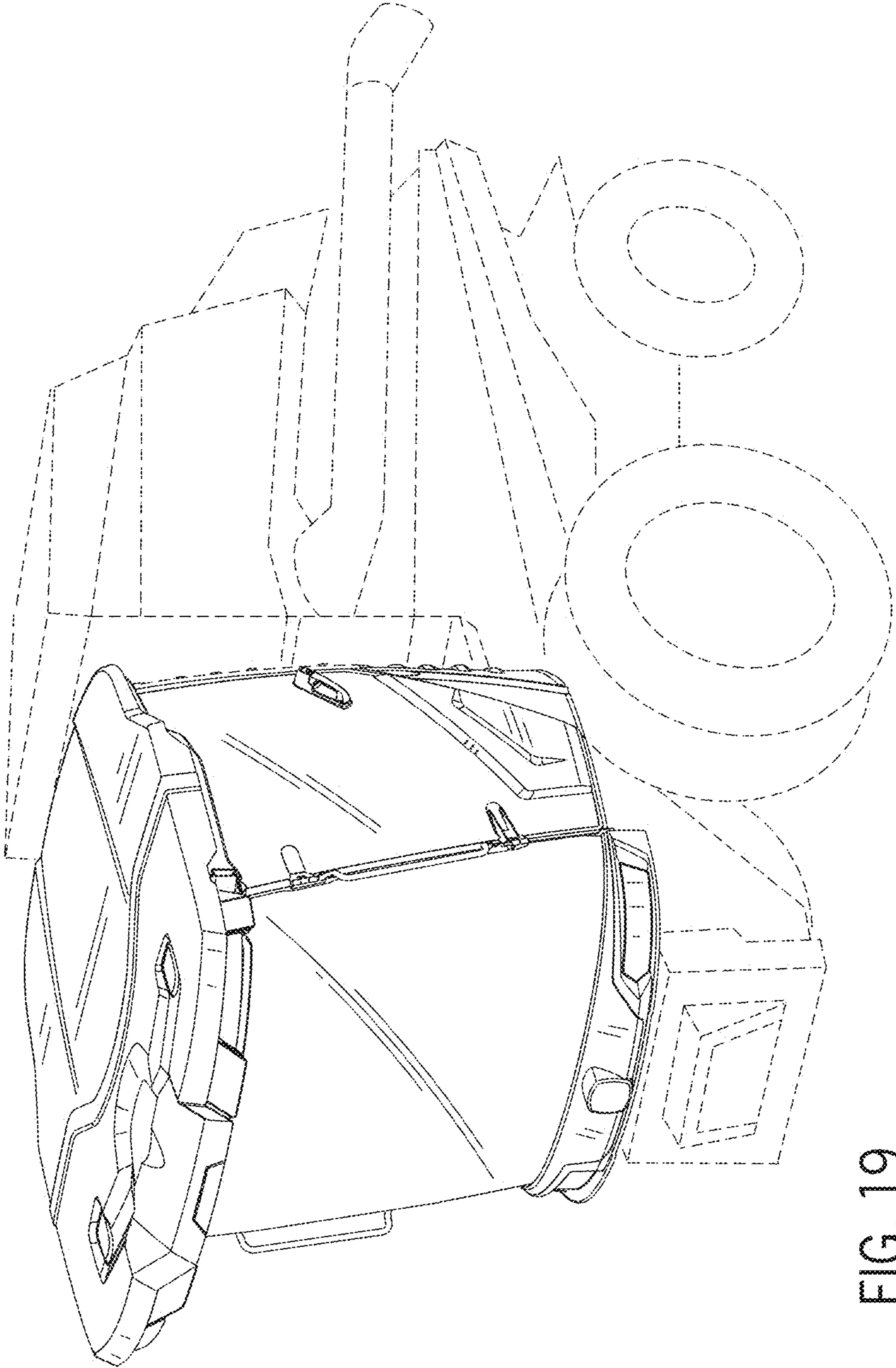


FIG. 19

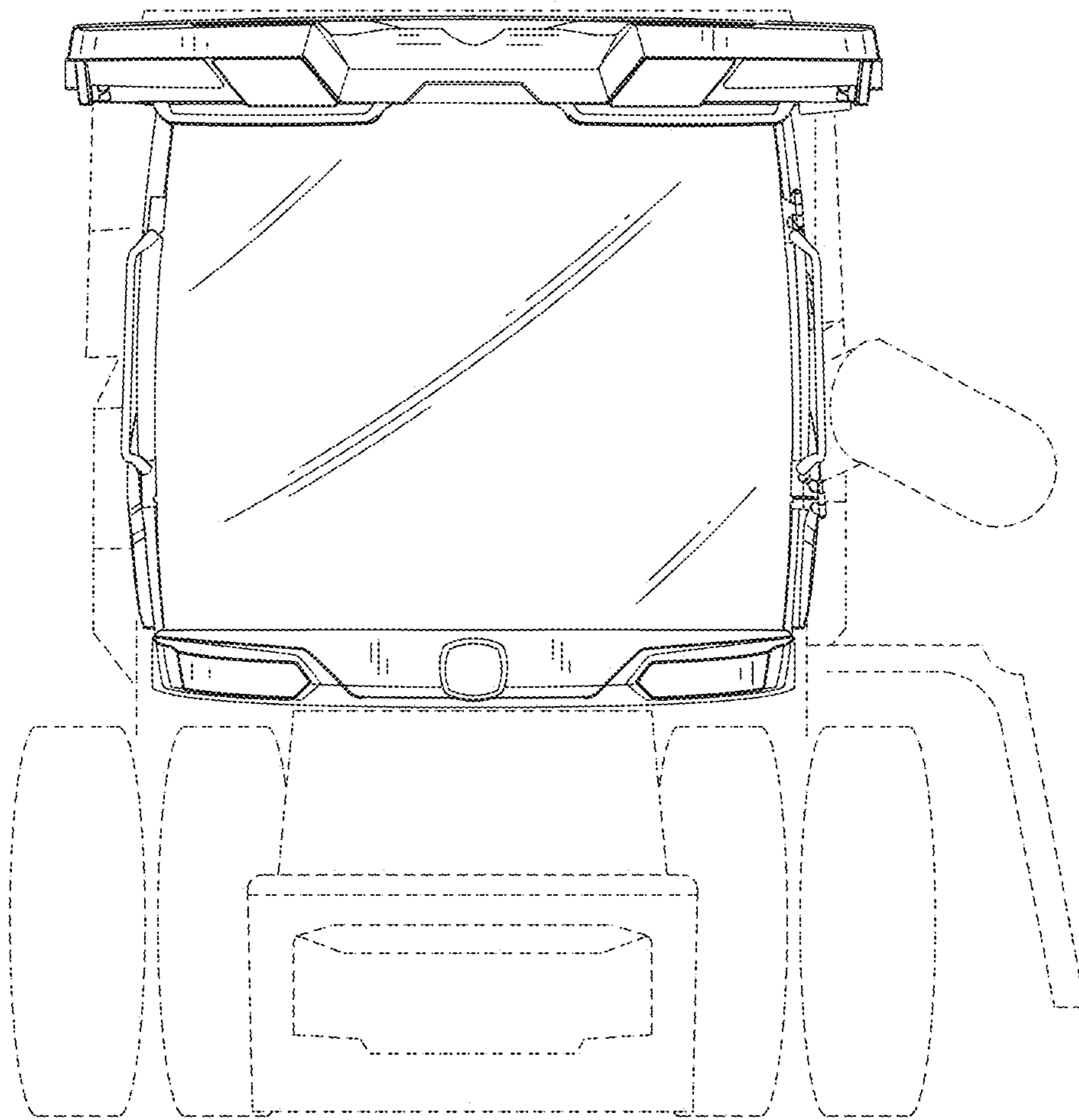


FIG. 20

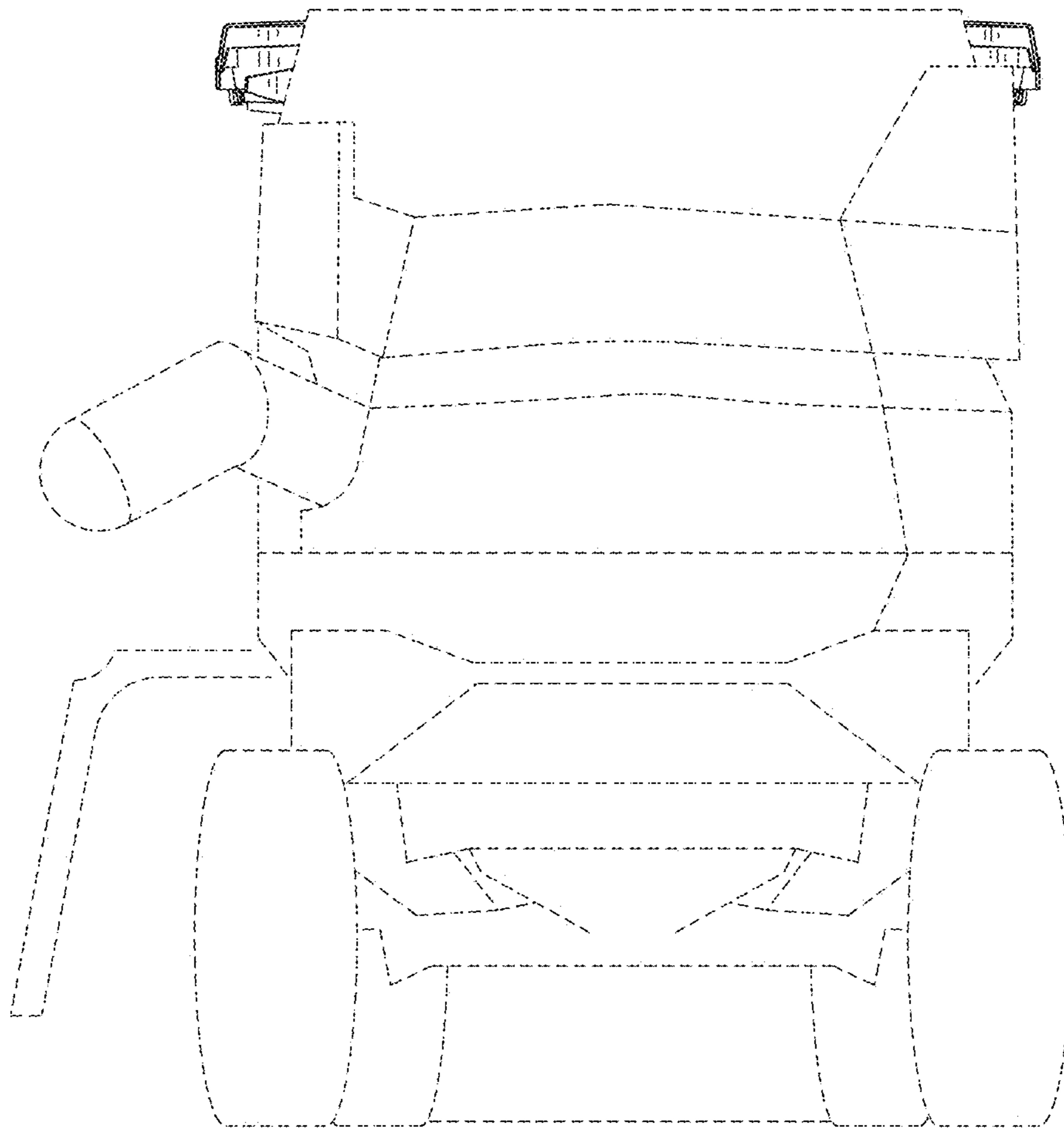


FIG. 21

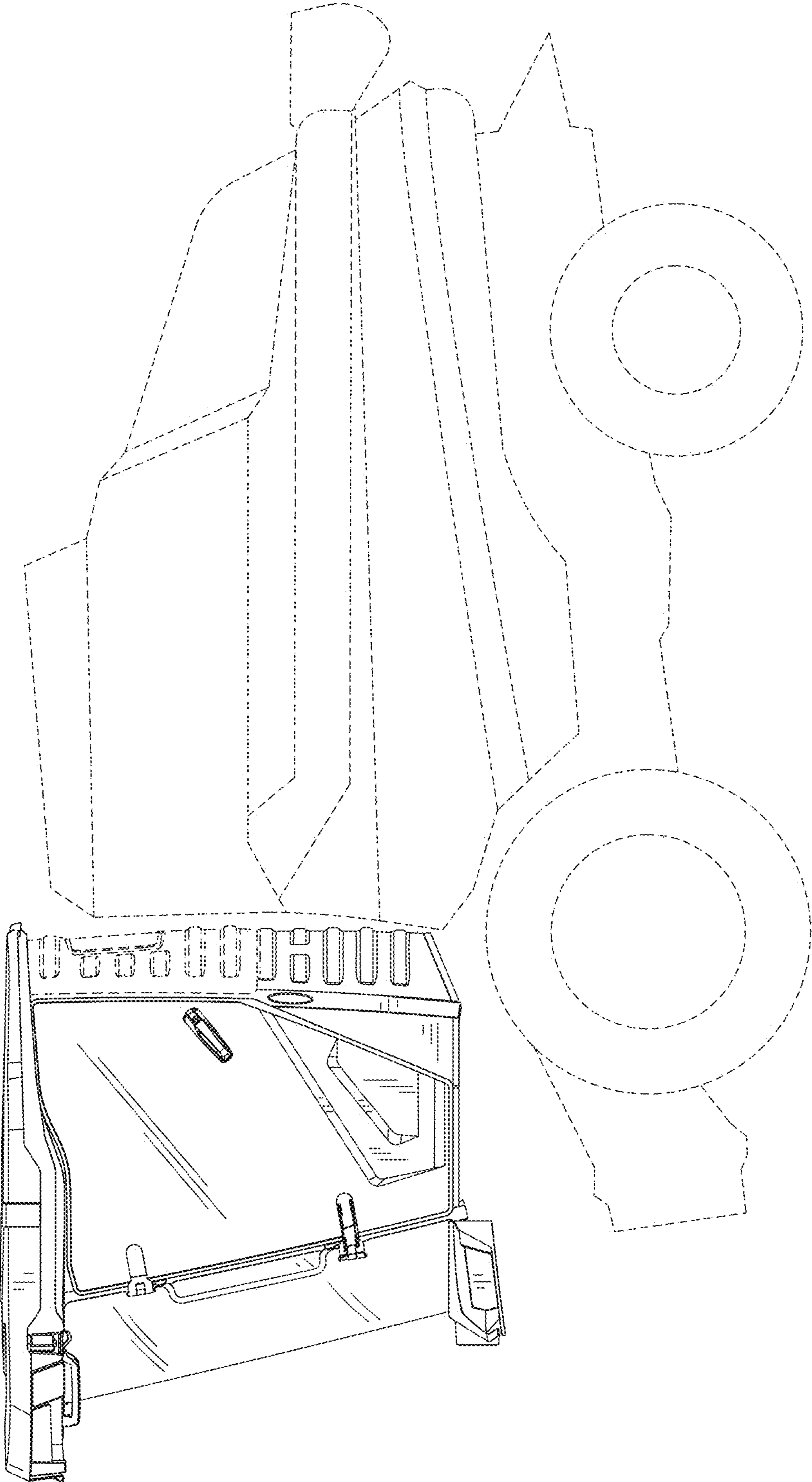


FIG. 22

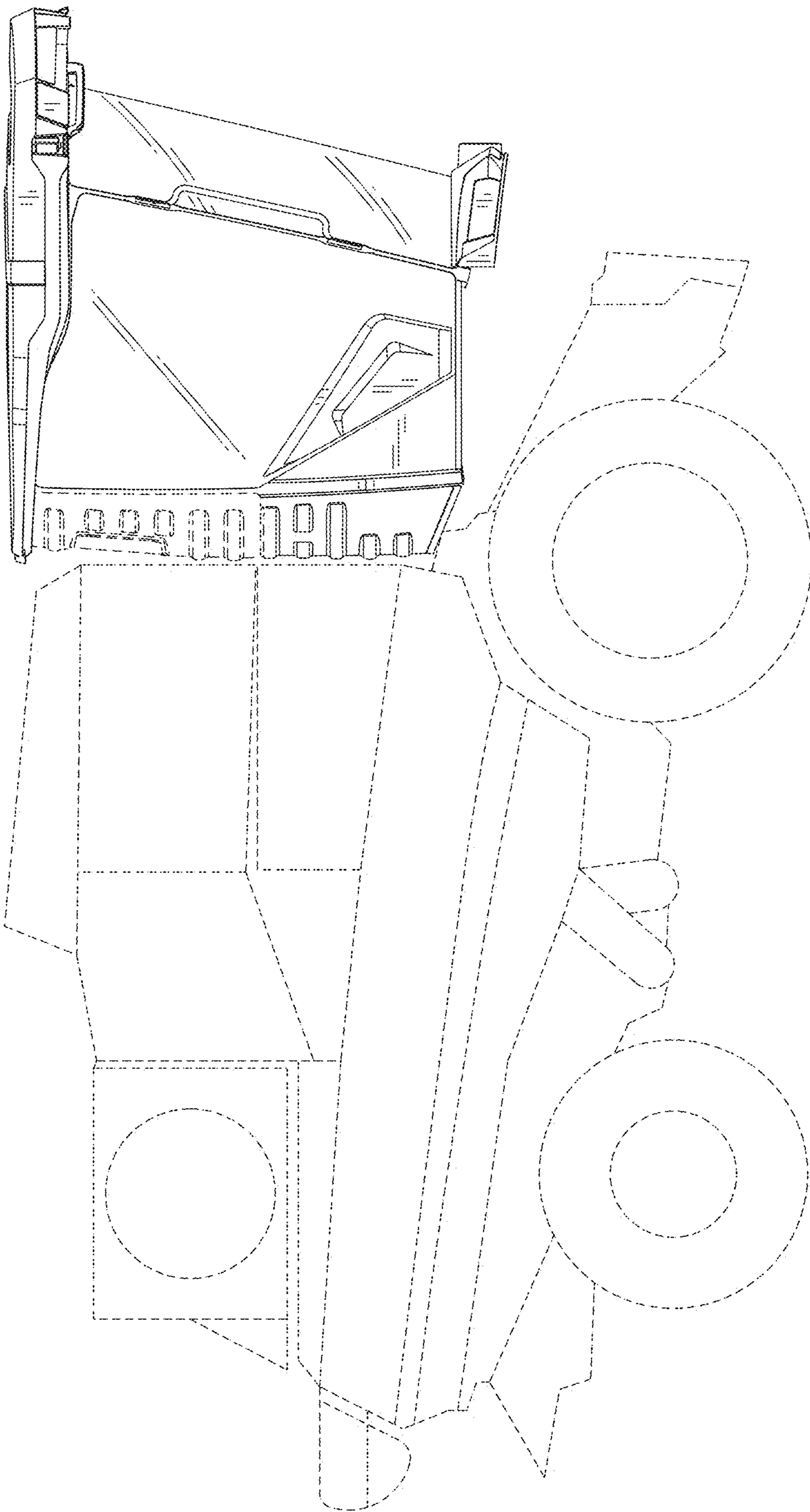
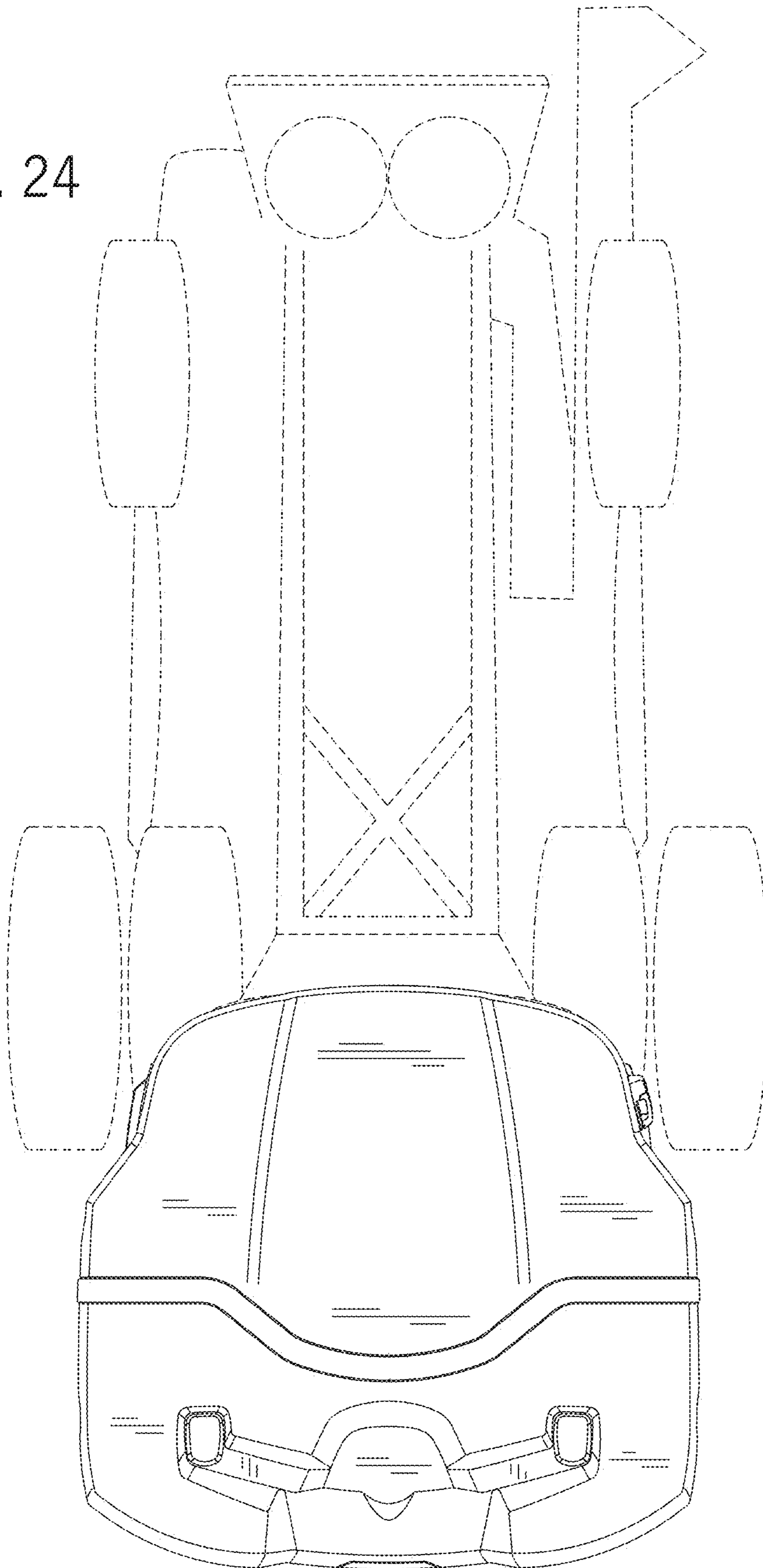


FIG. 23

FIG. 24



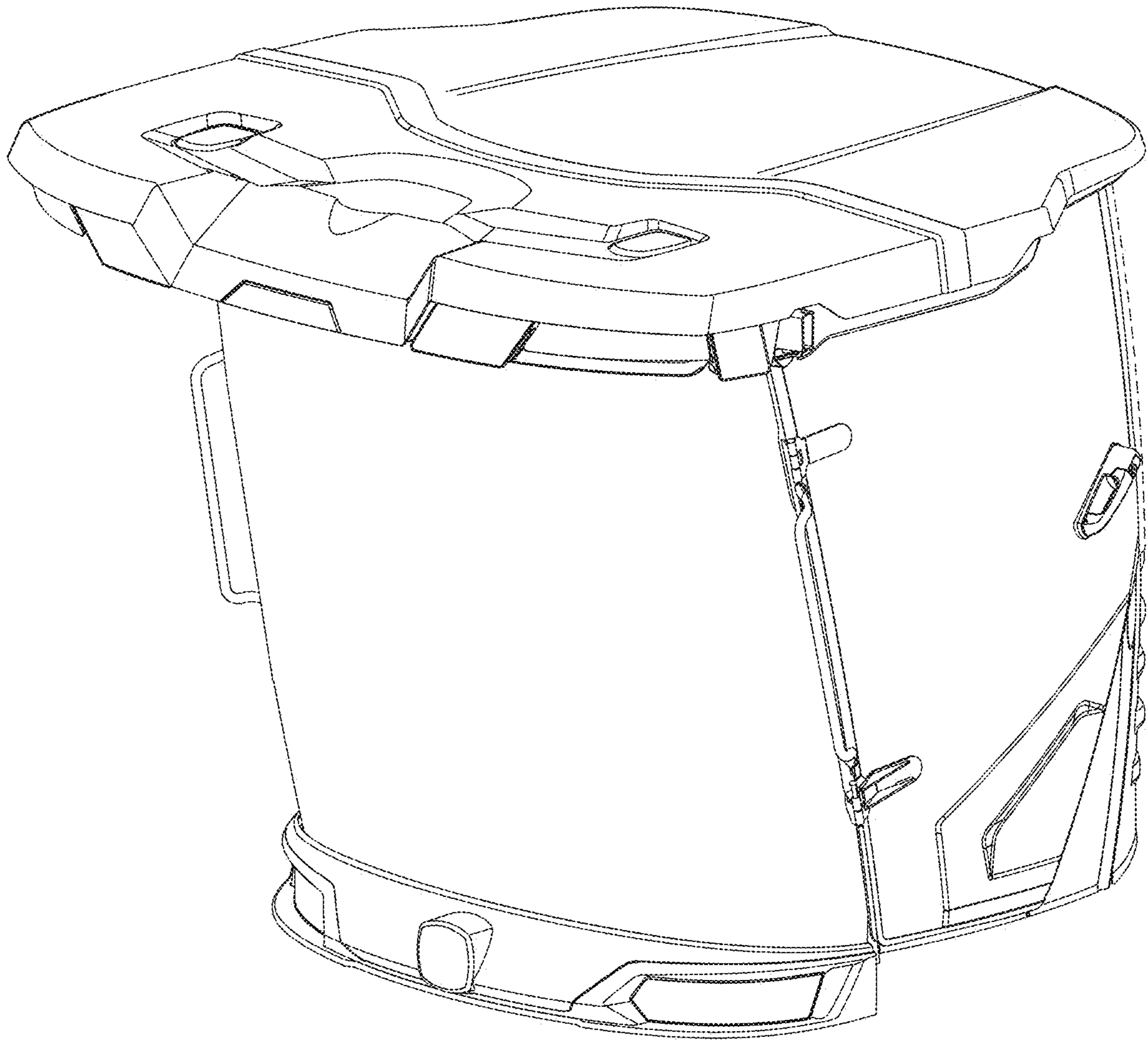


FIG. 25

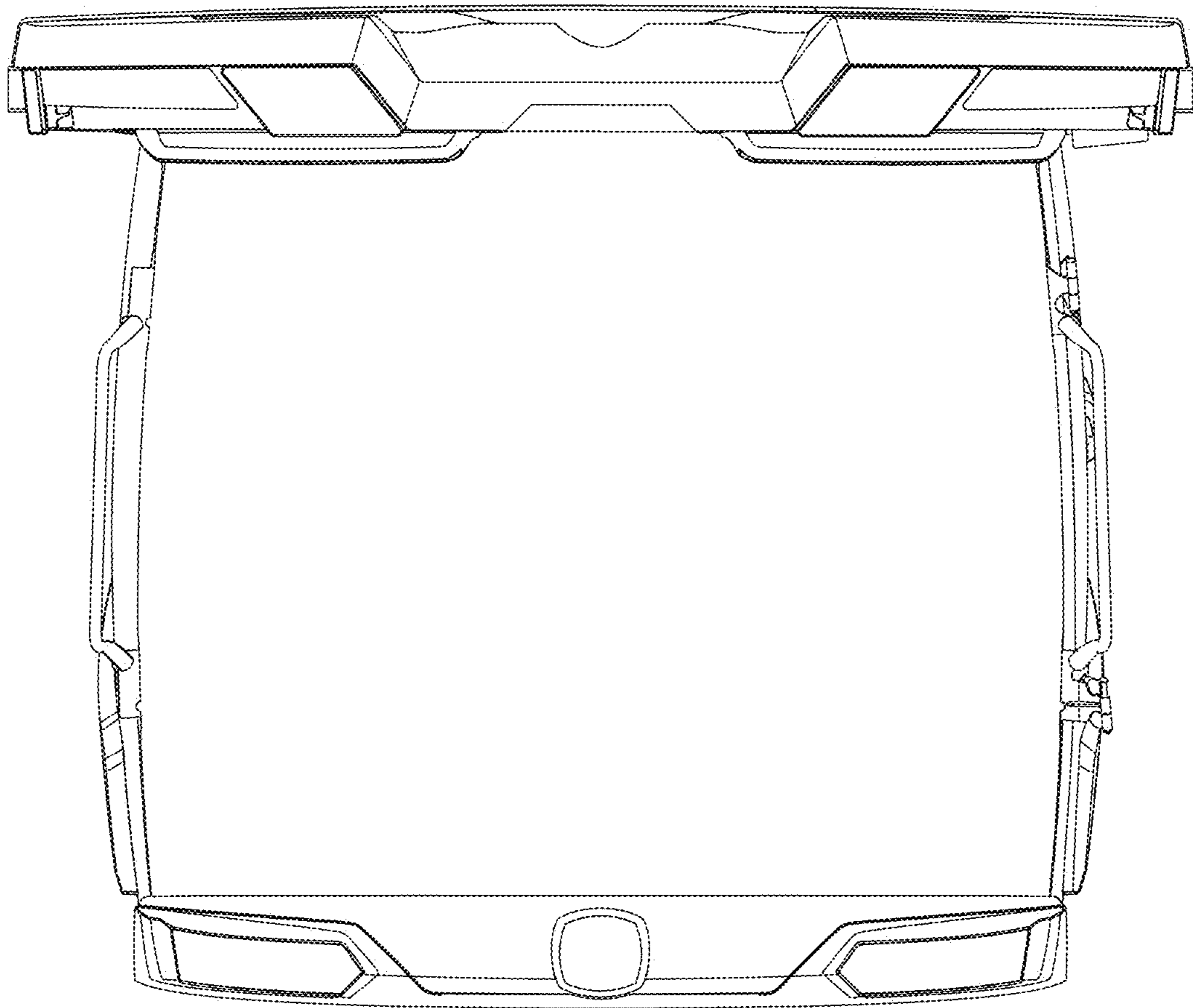


FIG. 26

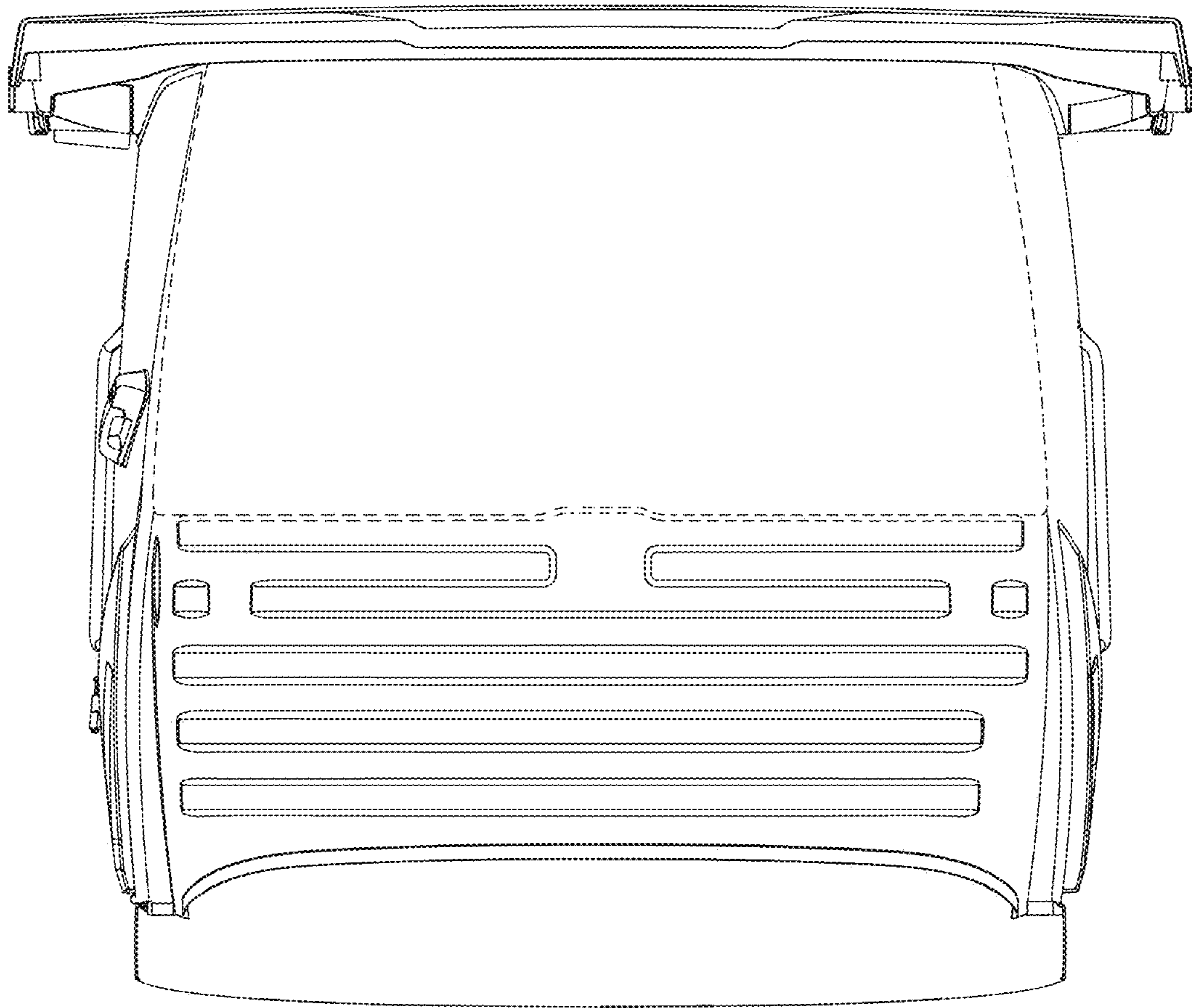


FIG. 27

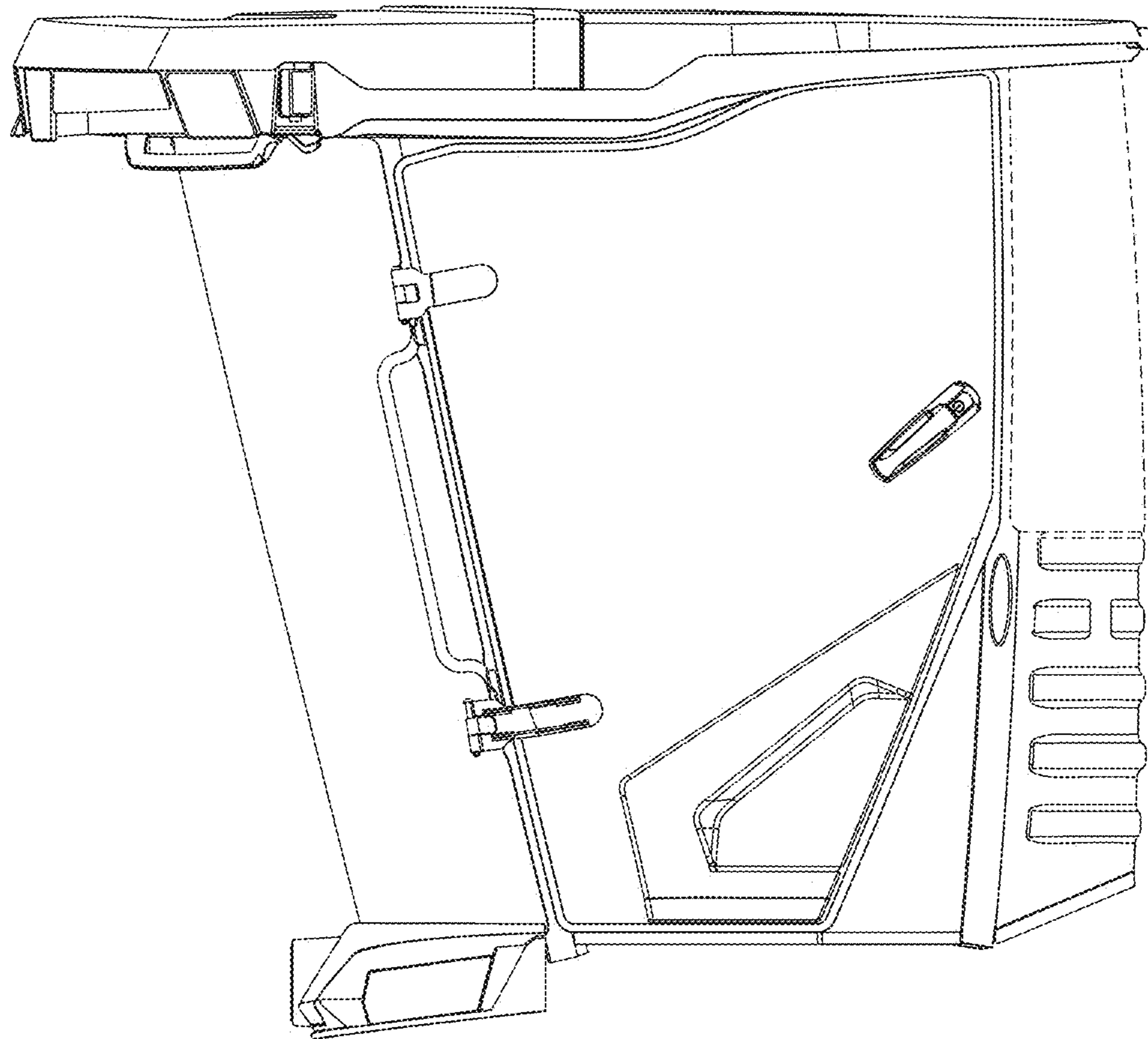


FIG. 28

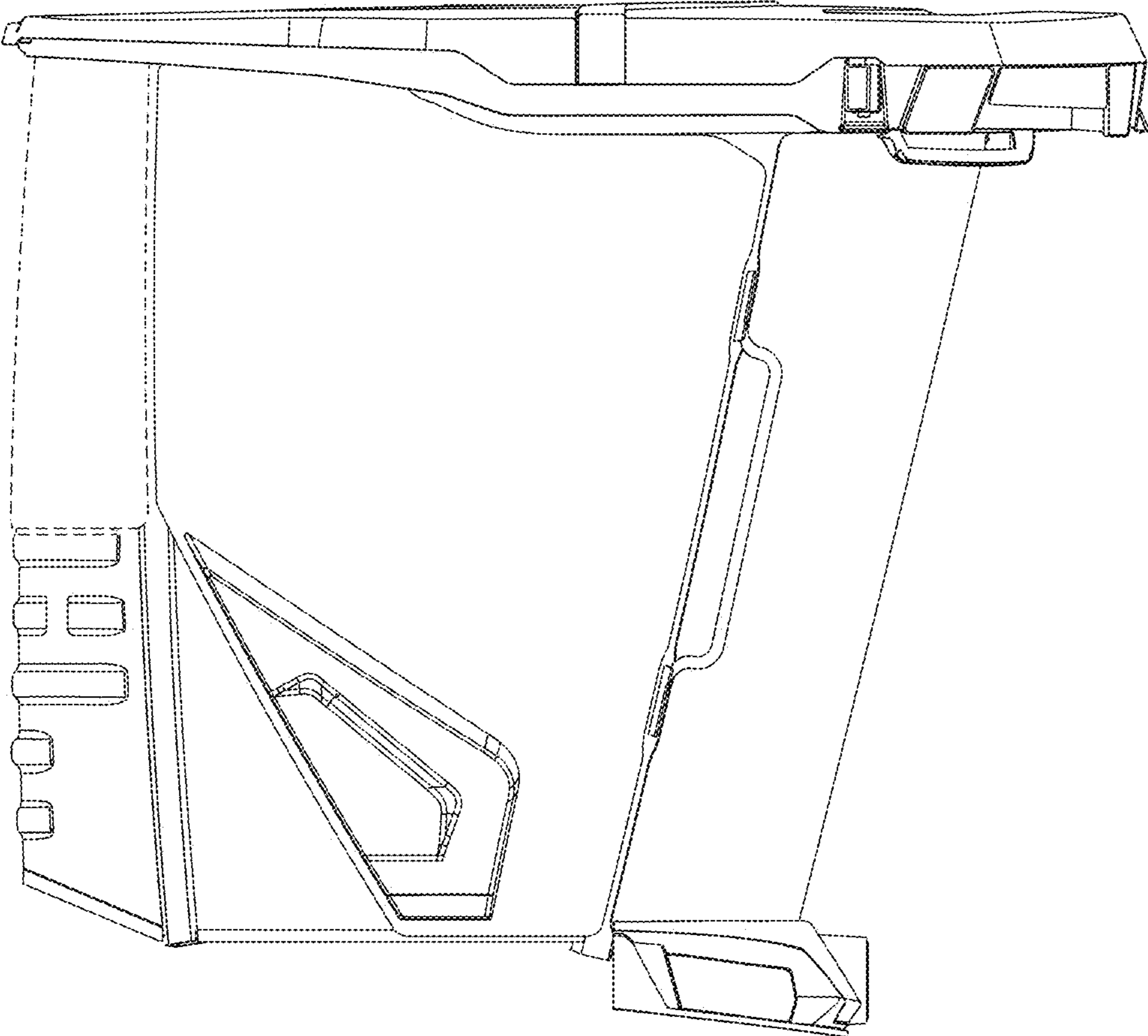


FIG. 29

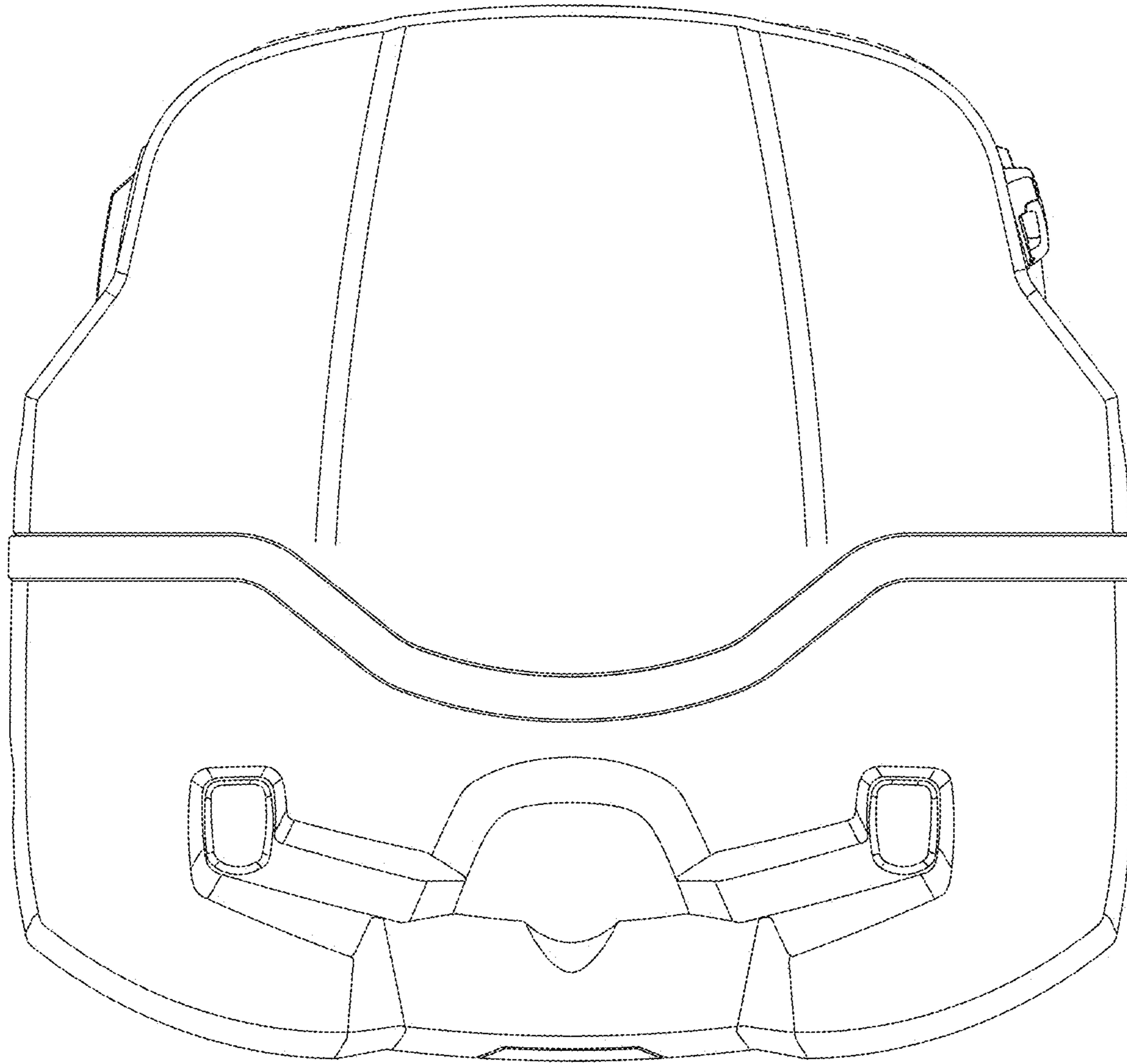


FIG. 30

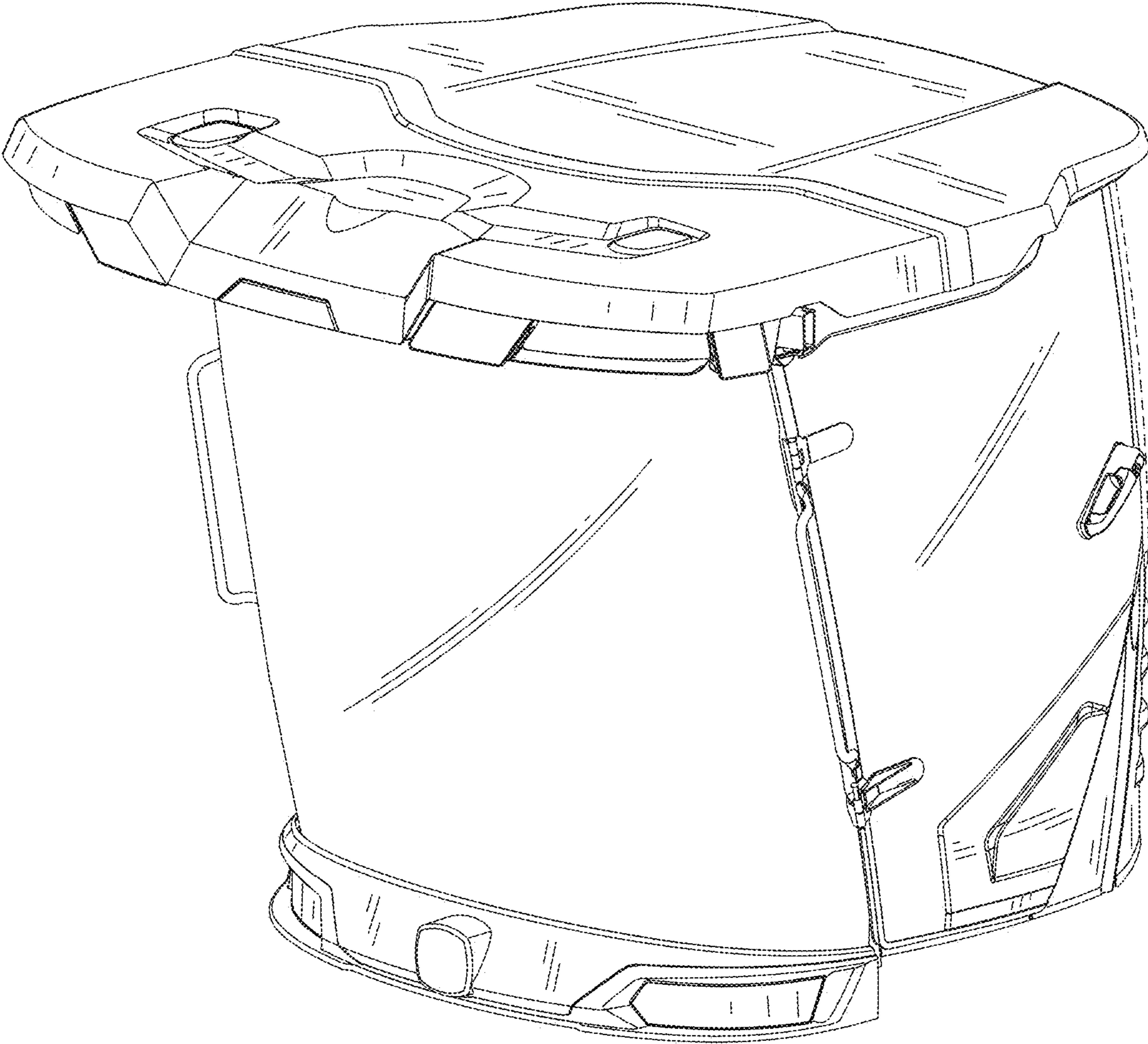


FIG. 31

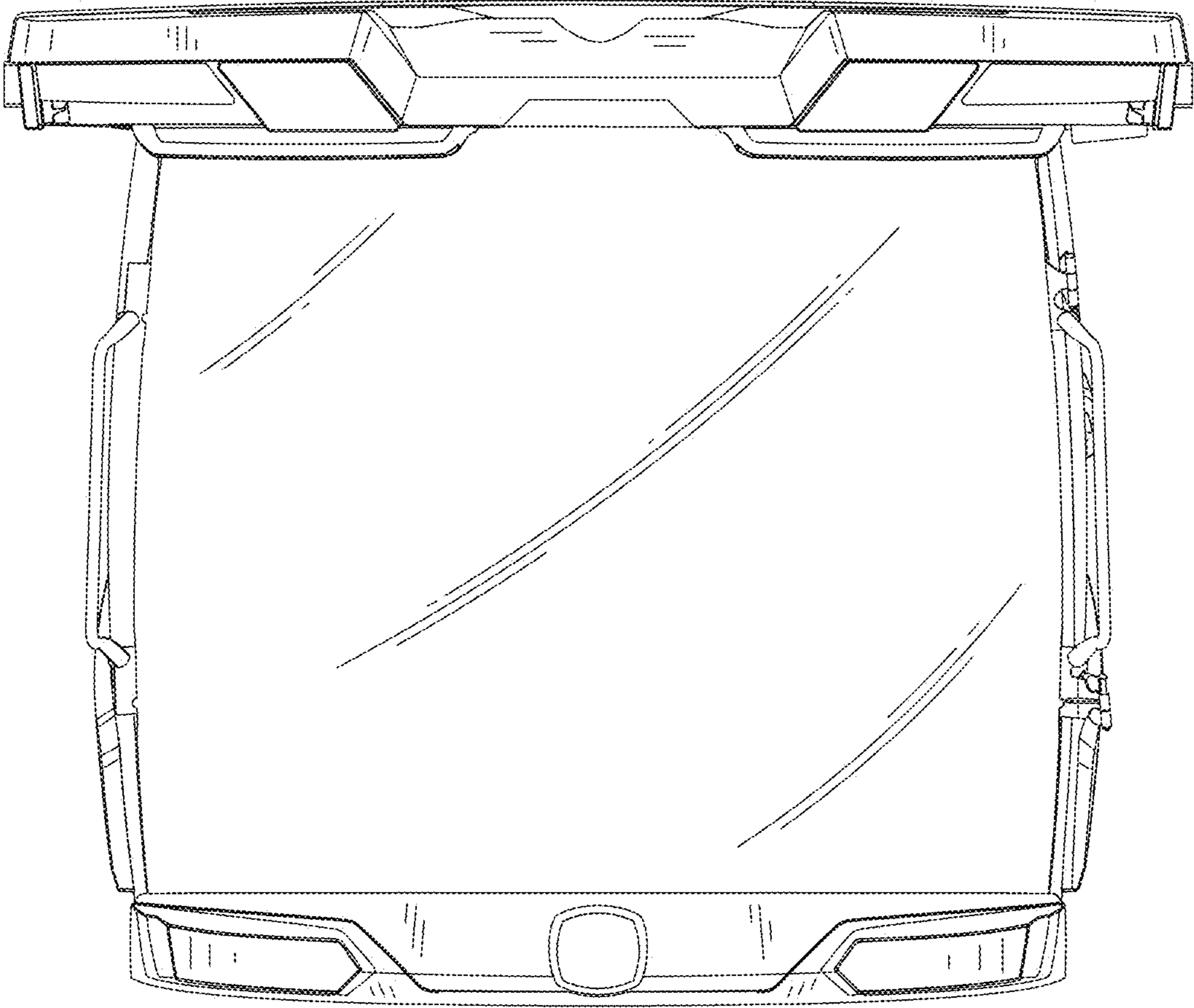


FIG. 32

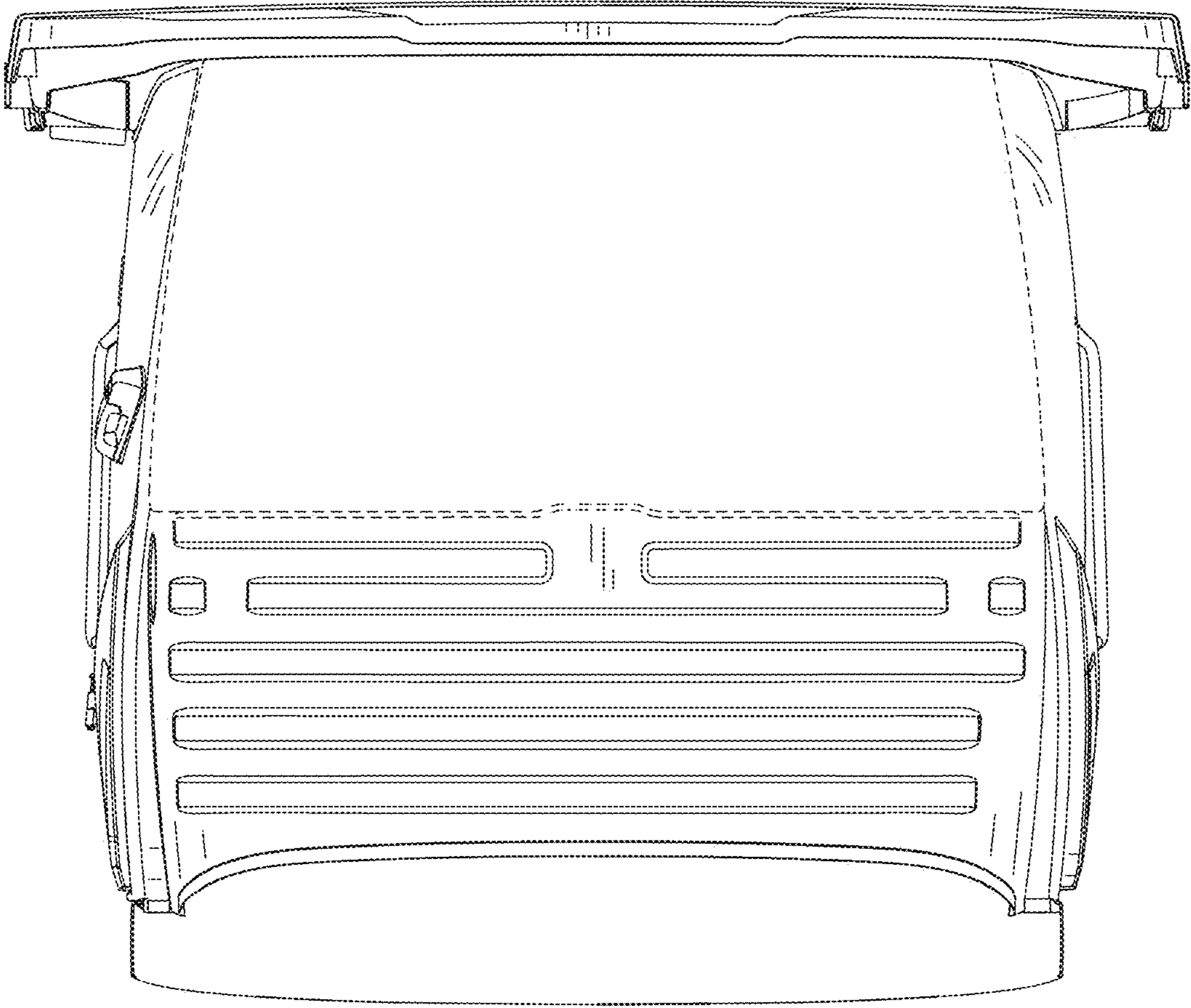


FIG. 33

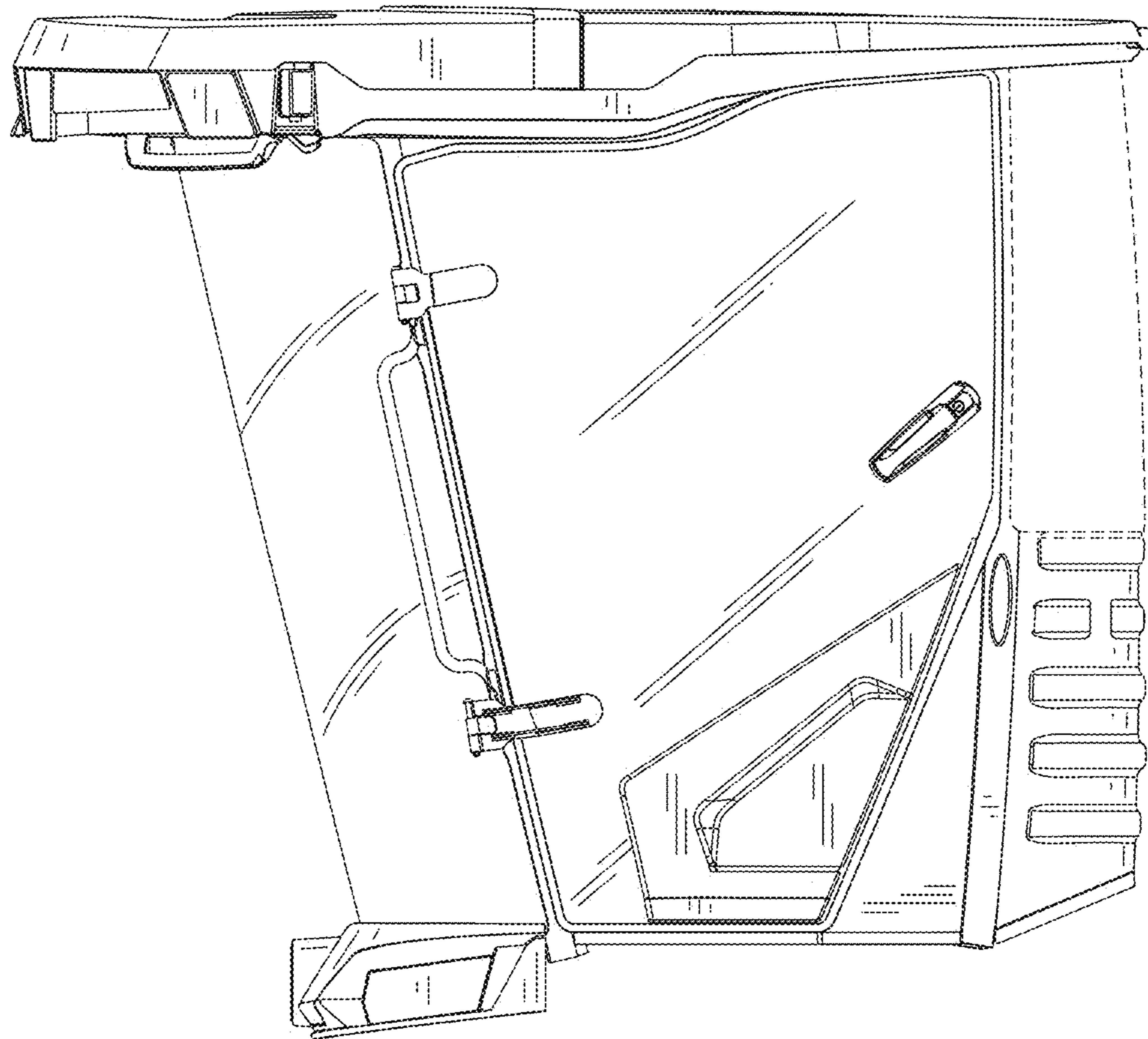


FIG. 34

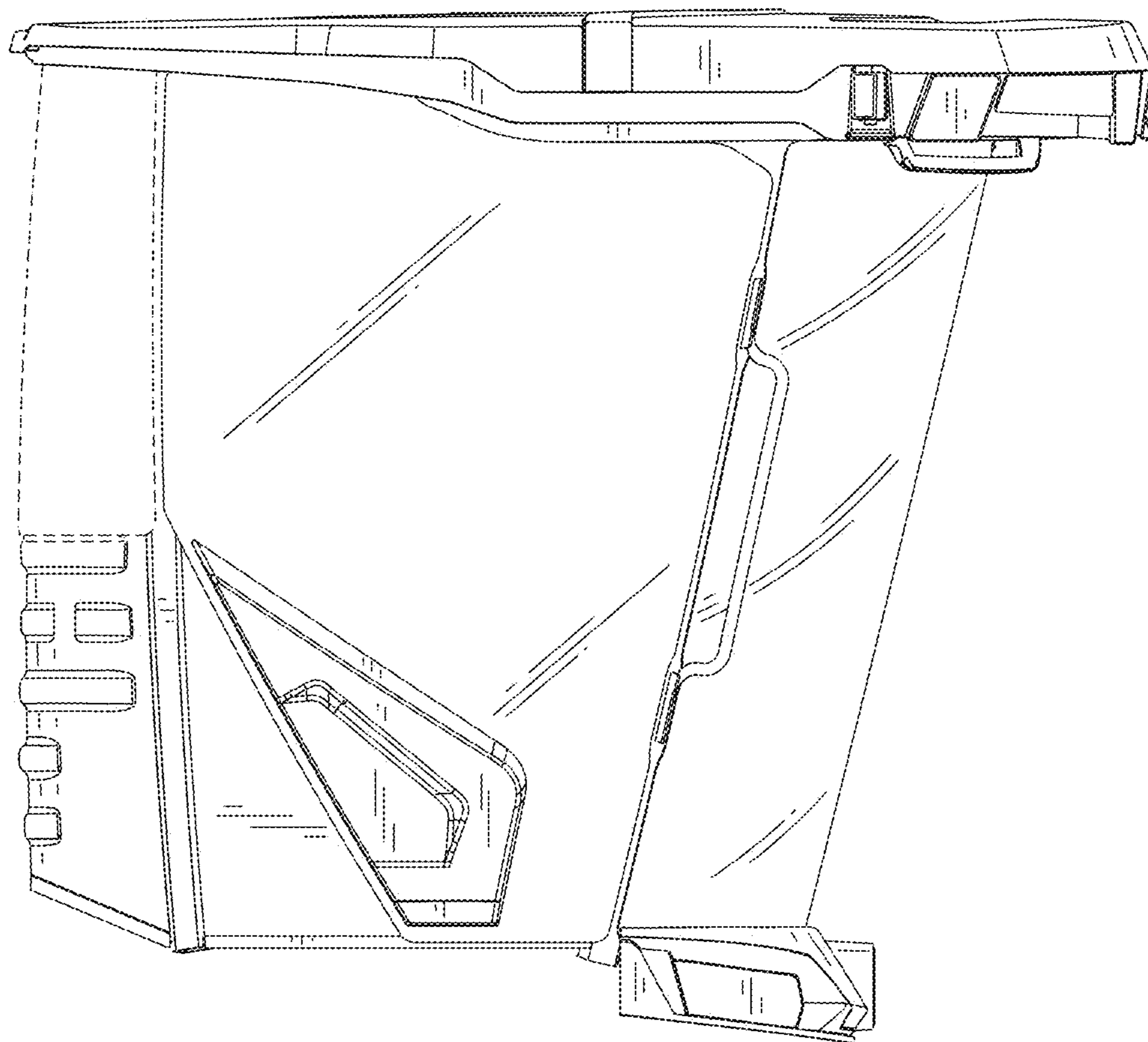


FIG. 35

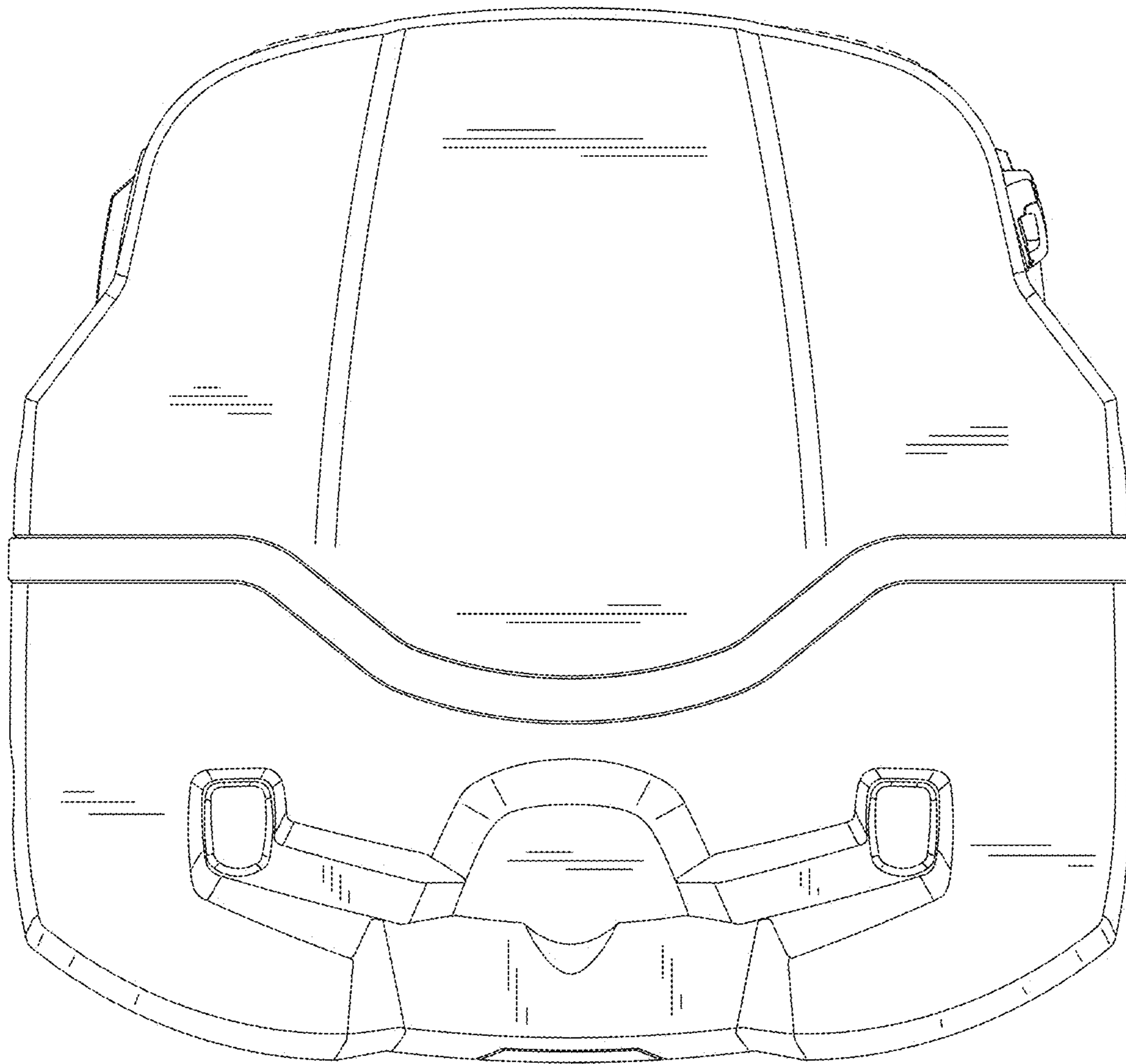


FIG. 36

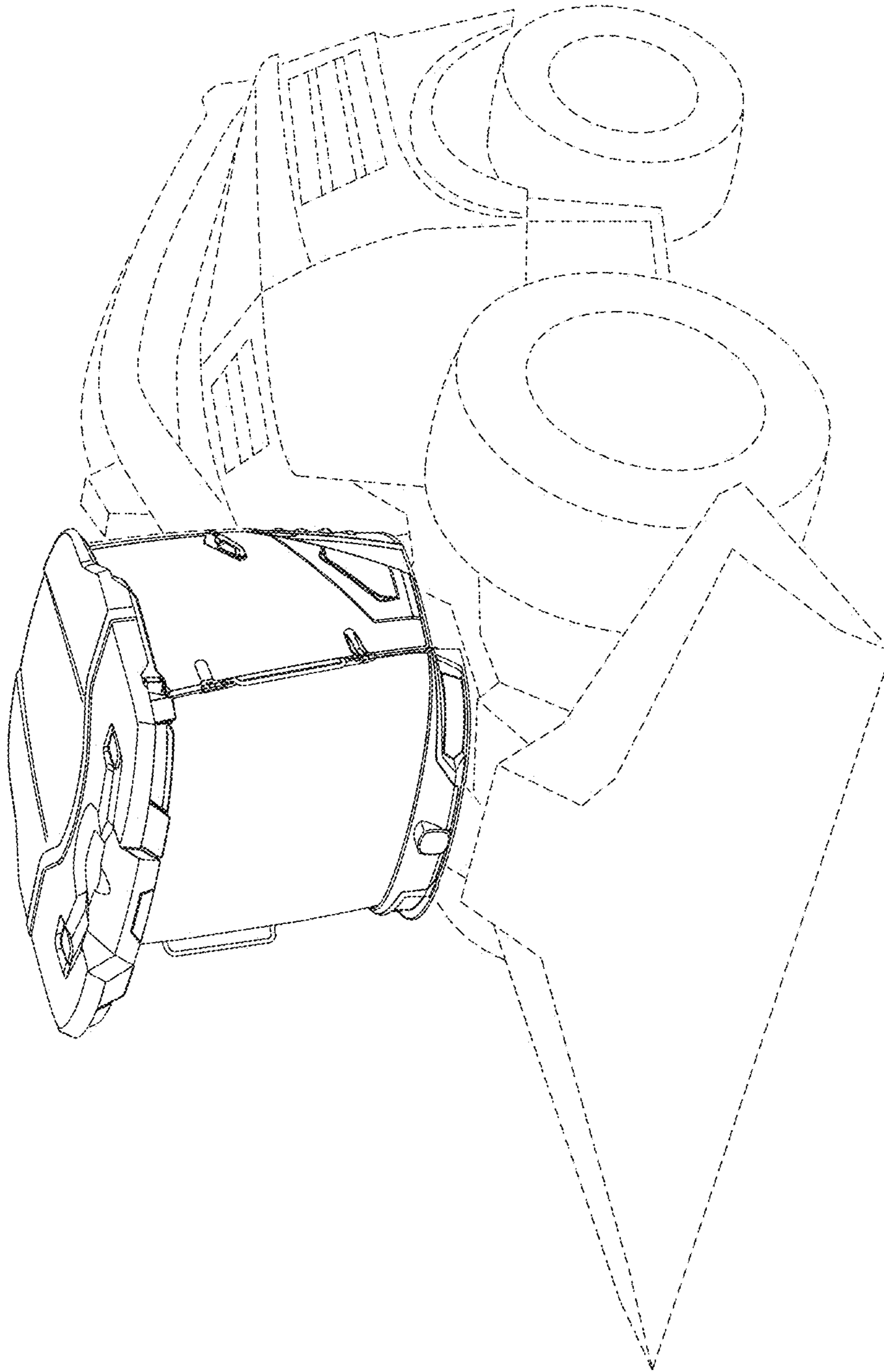


FIG. 37

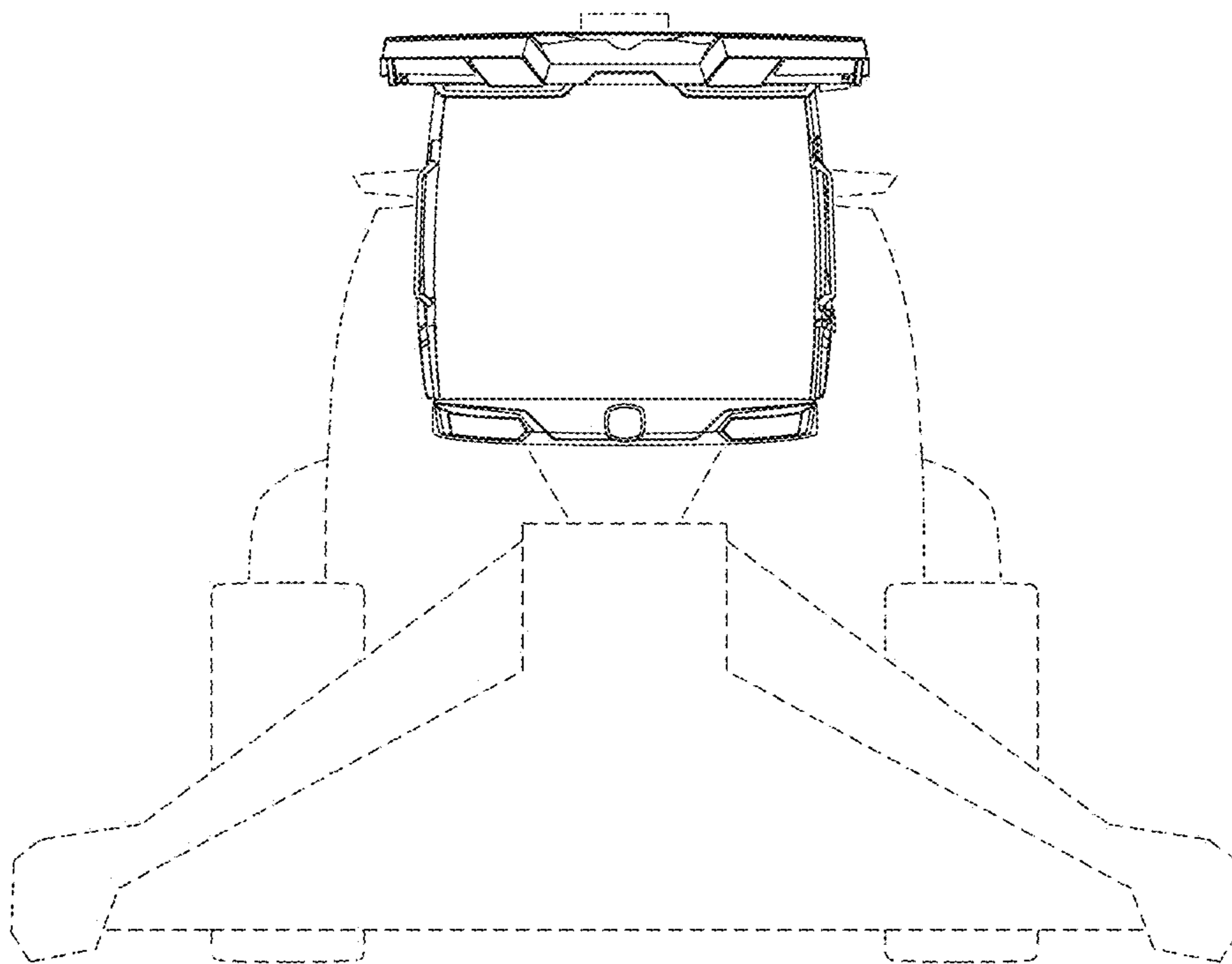


FIG. 38

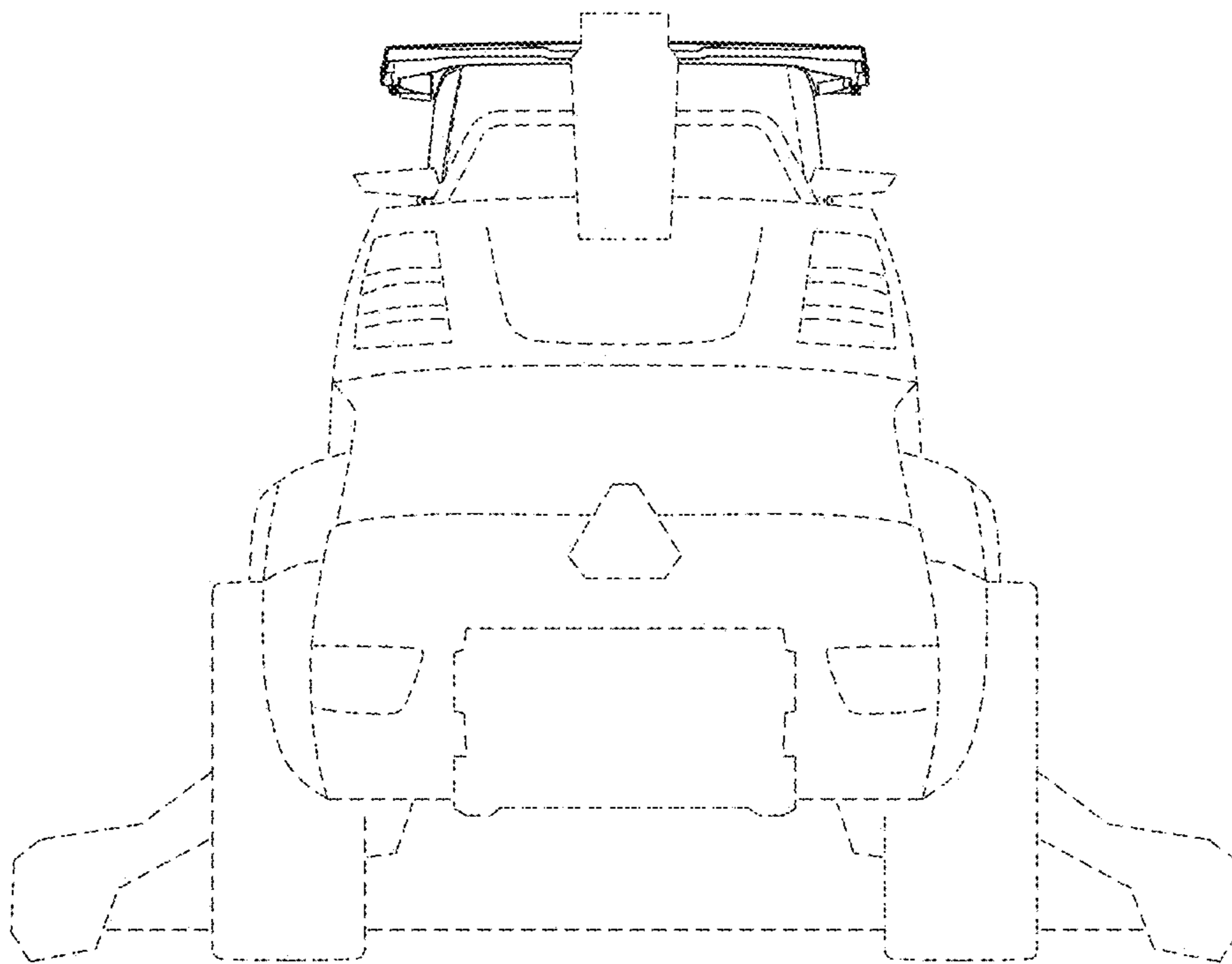


FIG. 39

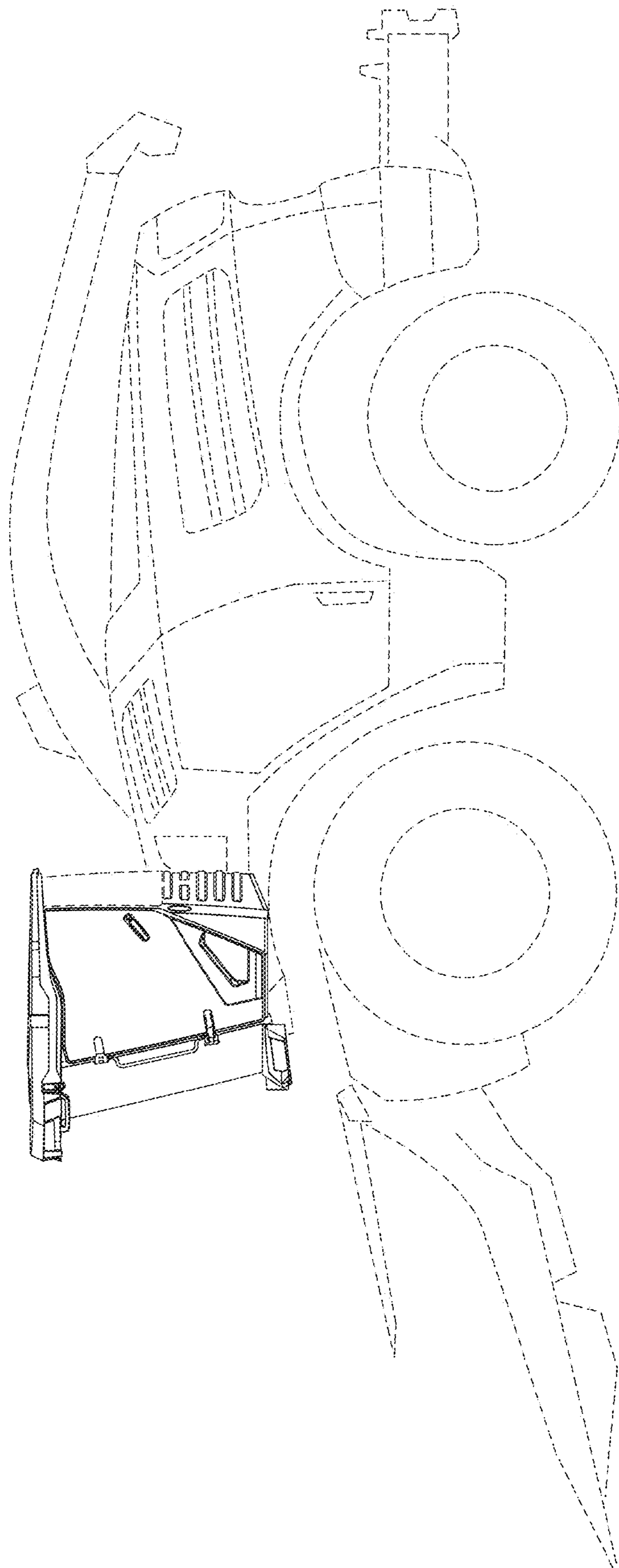


FIG. 40

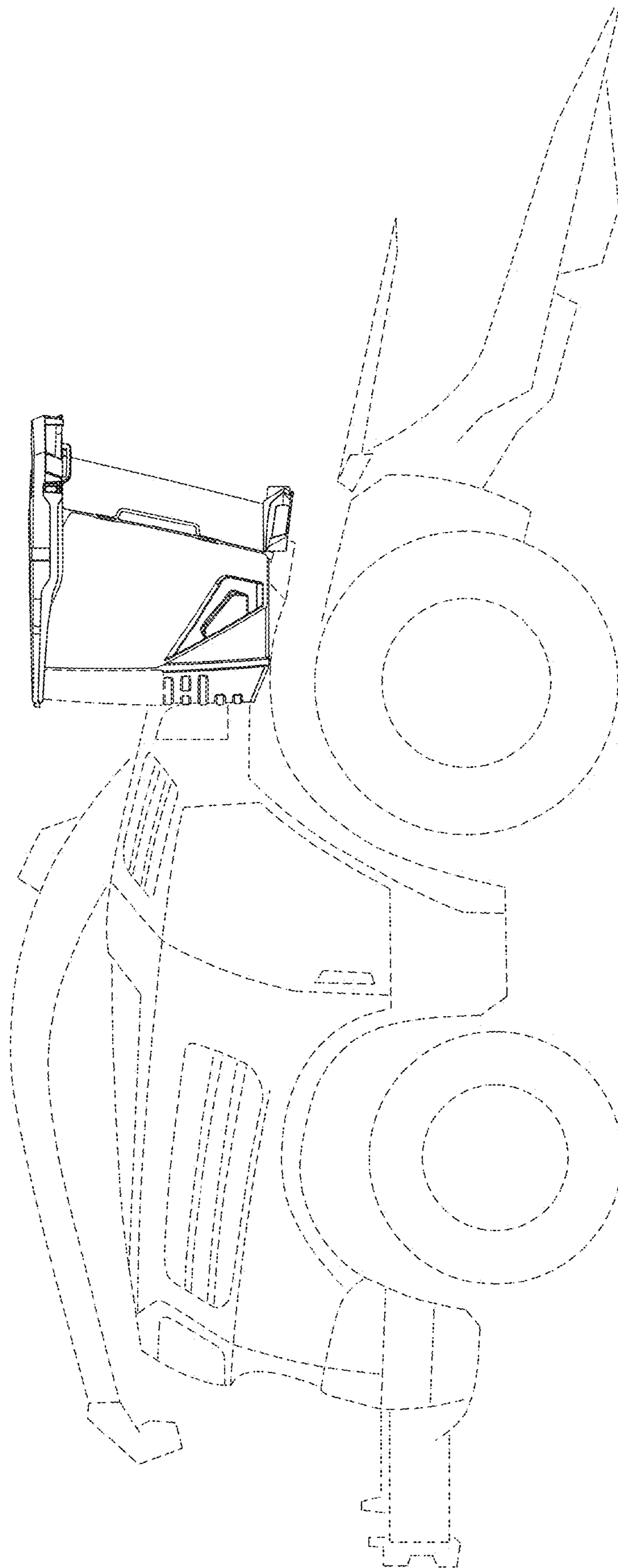
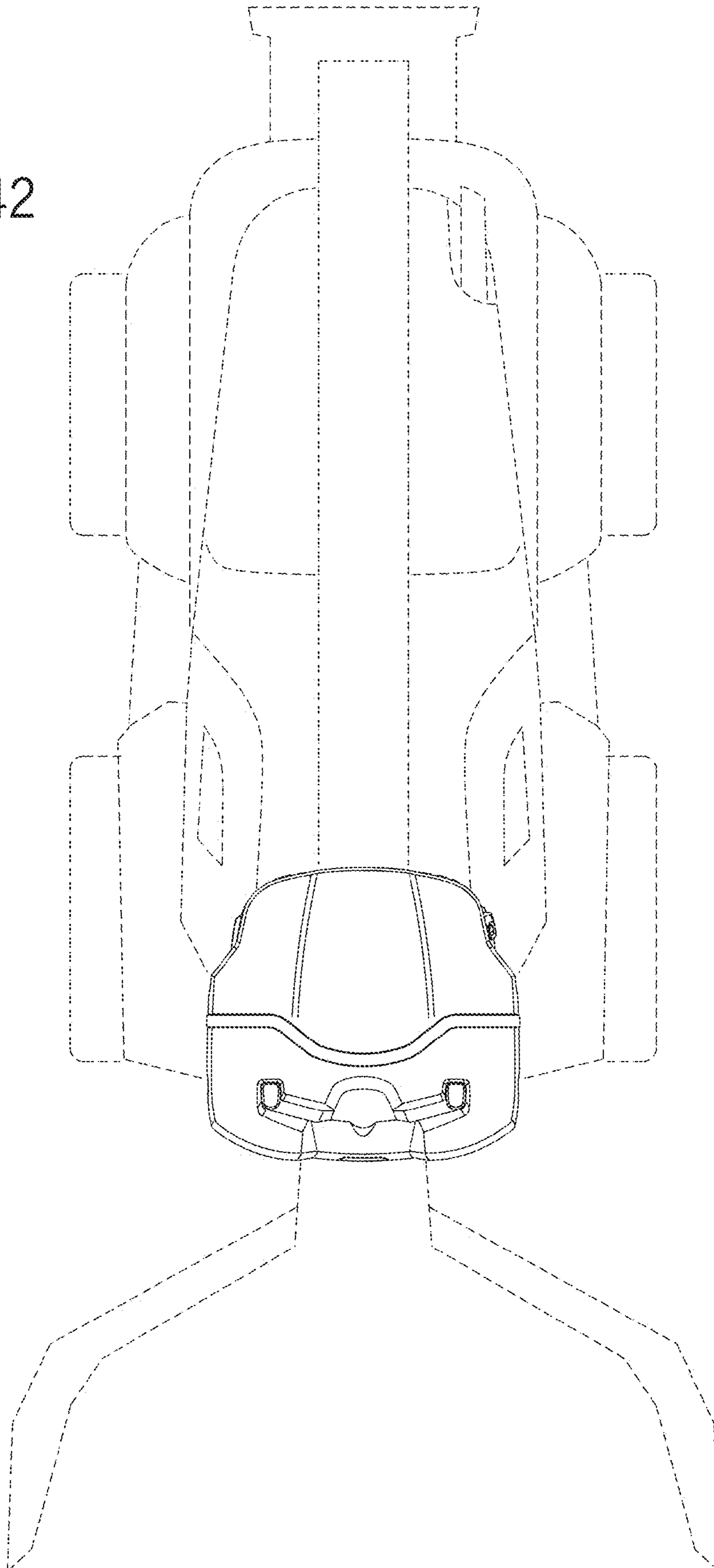


FIG. 41

FIG. 42



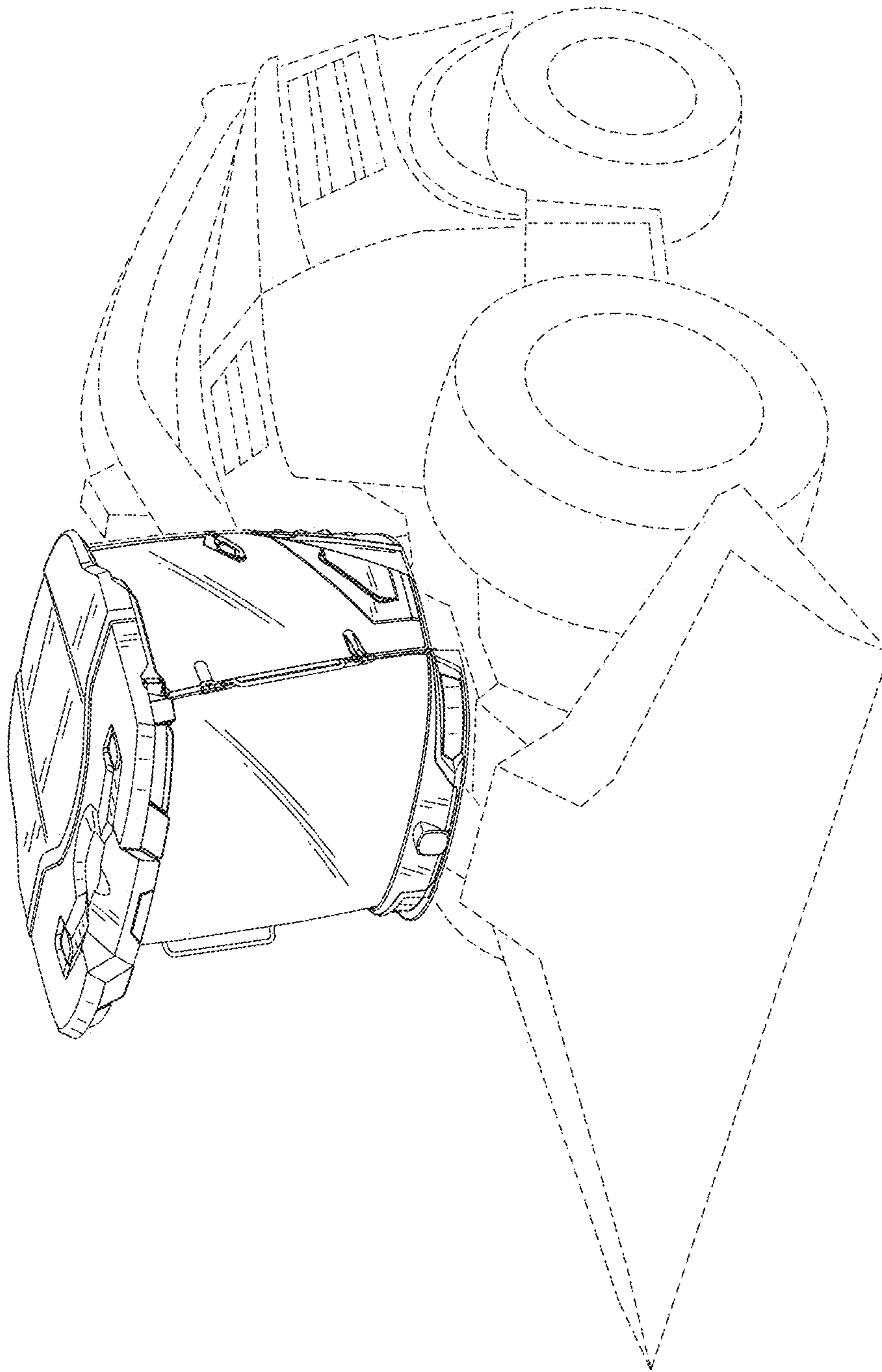


FIG. 43

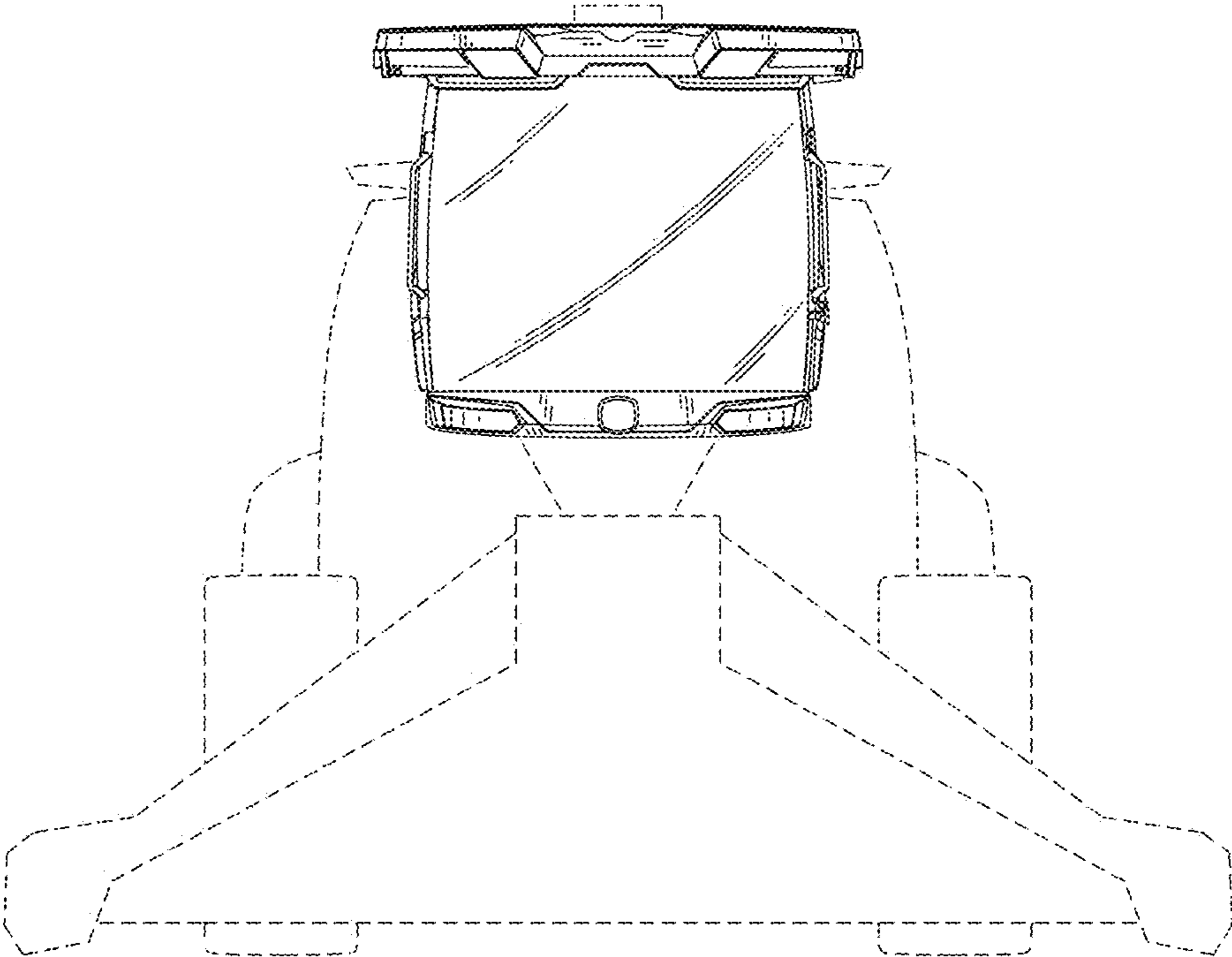


FIG. 44

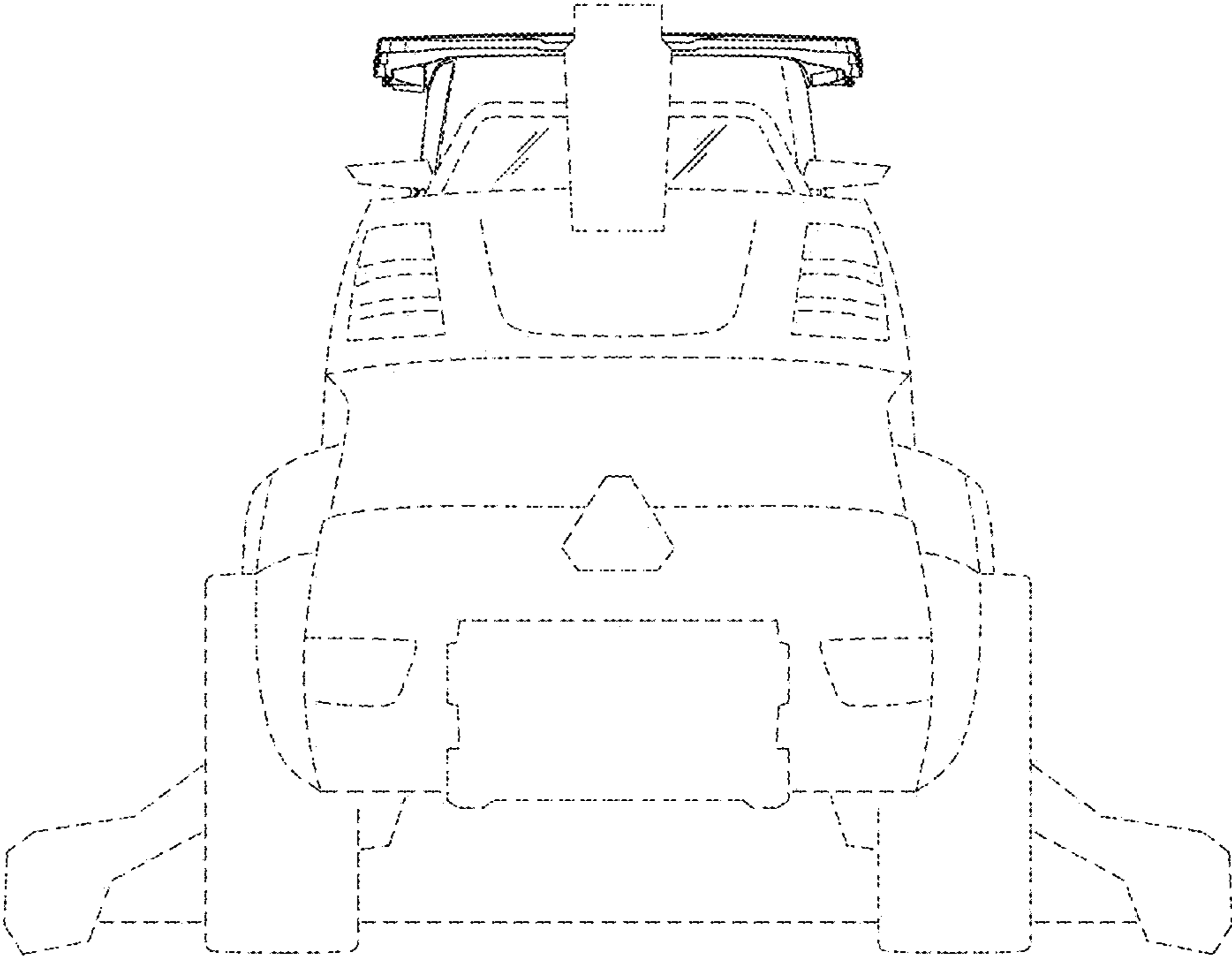


FIG. 45

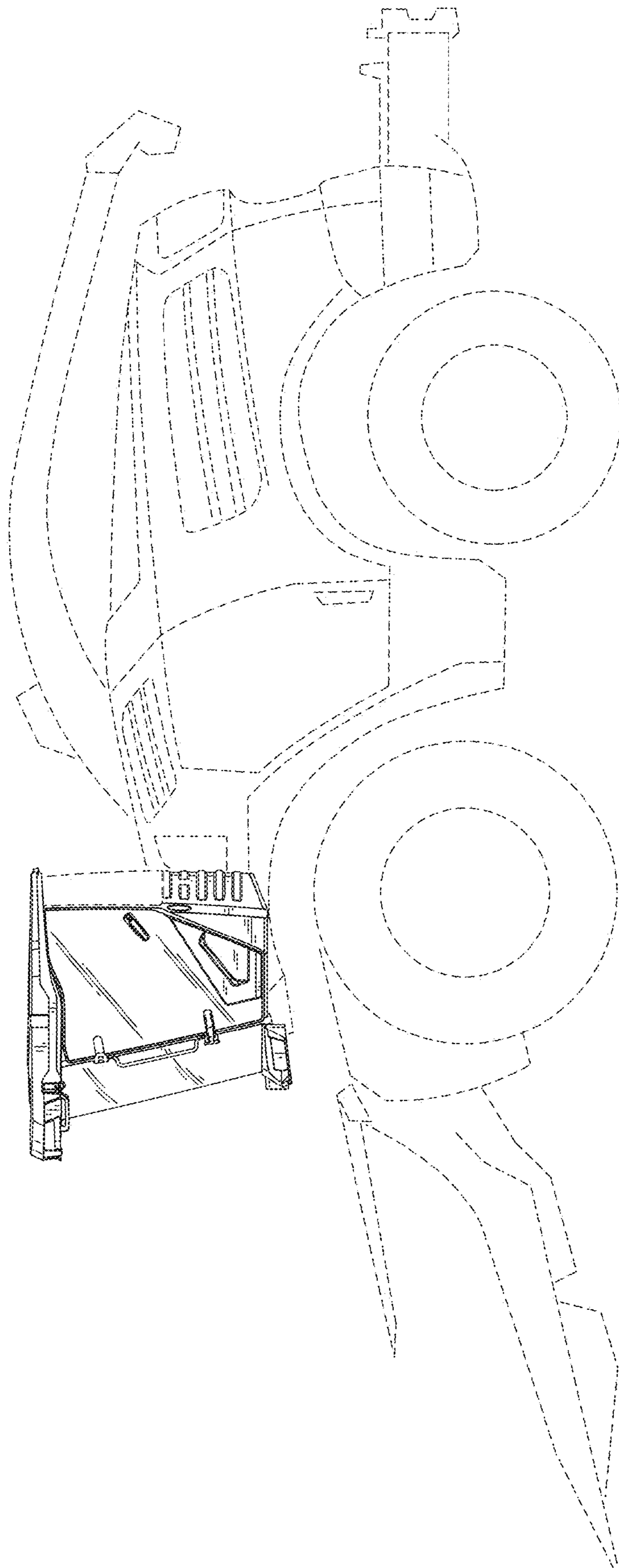


FIG. 46

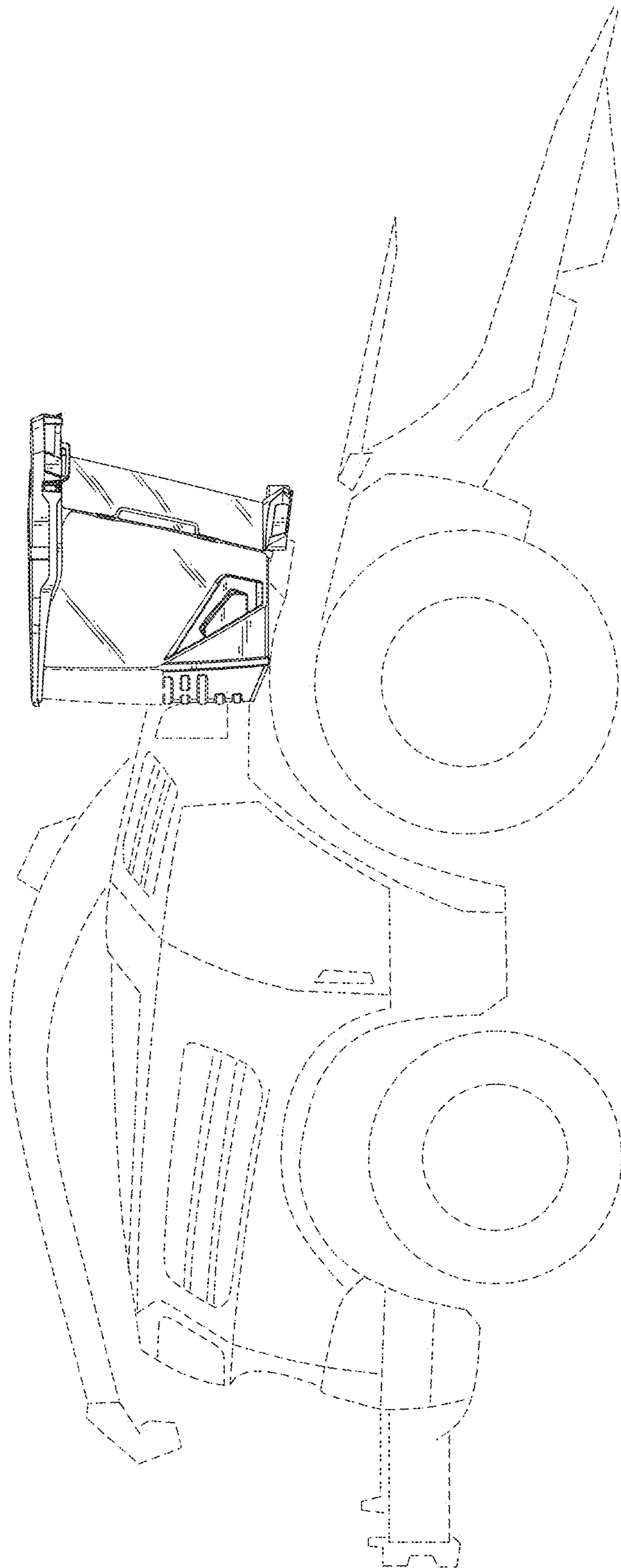


FIG. 47

FIG. 48

