



US00D915472S

(12) **United States Design Patent** (10) **Patent No.:** **US D915,472 S**
King (45) **Date of Patent:** **** Apr. 6, 2021**

(54) **TRACTOR BUCKET ADAPTER SYSTEM**
(71) Applicant: **William Thomas King**, Boring, OR
(US)
(72) Inventor: **William Thomas King**, Boring, OR
(US)

5,813,475 A * 9/1998 Bergan A01B 15/02
172/719
5,941,318 A * 8/1999 Bergen A01B 35/225
172/730
6,085,447 A 7/2000 Rose
(Continued)

(**) Term: **15 Years**

FOREIGN PATENT DOCUMENTS
WO 2019206425 10/2019

(21) Appl. No.: **29/737,600**

(22) Filed: **Jun. 10, 2020**

(51) **LOC (13) Cl.** **15-03**

(52) **U.S. Cl.**
USPC **D15/28**; D15/29

(58) **Field of Classification Search**
USPC D15/28, 29
CPC A01B 35/26; A01B 35/225
See application file for complete search history.

OTHER PUBLICATIONS
YouTube, "DIY Trencher on Kubota BX Bucket Digging Trench for Cables," Retrieved from <https://www.youtube.com/watch?v=dPP5kITfvA8>, published Mar. 10, 2015, PDF Only.
(Continued)

Primary Examiner — Mark A Goodwin
(74) *Attorney, Agent, or Firm* — Miller Nash Graham & Dunn LLP

(56) **References Cited**

U.S. PATENT DOCUMENTS

2,595,353 A * 5/1952 Graham A01B 35/22
172/730
4,113,023 A 9/1978 Baskett
4,360,980 A 11/1982 Jarvis
D272,069 S * 1/1984 Larsson D15/28
D272,250 S * 1/1984 Larsson D15/28
D274,187 S * 6/1984 Krammer D15/11
D277,862 S * 3/1985 Johnson 172/730
D280,728 S * 9/1985 Krammer D15/11
4,787,462 A * 11/1988 Nichols A01B 35/26
172/730
D324,054 S * 2/1992 Smith D15/28
5,259,461 A * 11/1993 Cochrane A01B 23/02
111/152
5,456,323 A * 10/1995 Hill A01B 15/04
172/721
5,495,814 A * 3/1996 Primus A01B 13/08
111/124
5,564,885 A * 10/1996 Staben, Jr. E02F 3/962
414/724

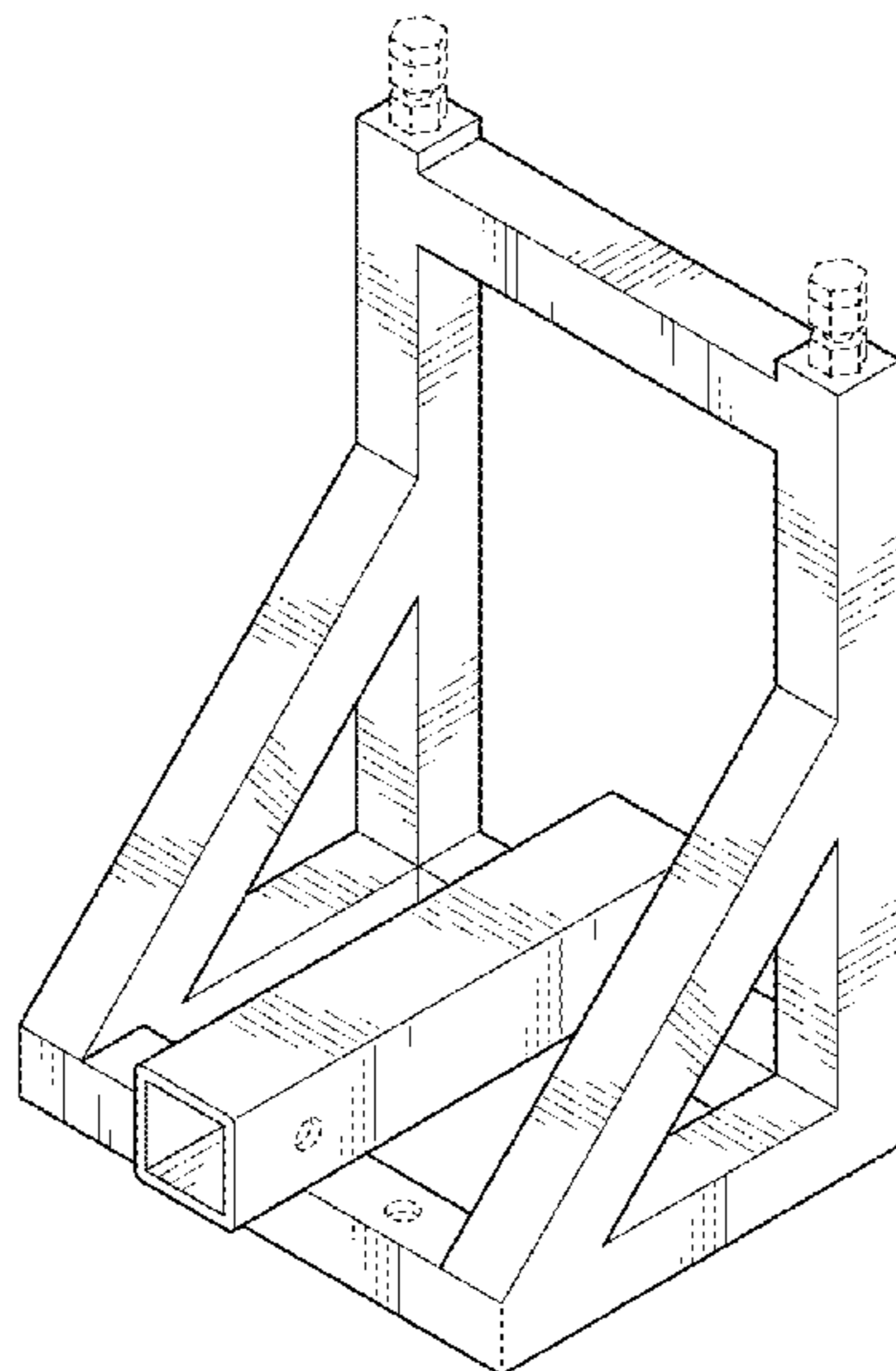
(57) **CLAIM**

The ornamental design for a tractor bucket adapter system, as shown and described.

DESCRIPTION

FIG. 1 is a first front perspective view of a first embodiment of a tractor bucket adapter system showing my new design; FIG. 2 is a top side elevation view thereof; FIG. 3 is a bottom side elevation view thereof; FIG. 4 is a front plan view thereof; FIG. 5 is a side elevation view thereof; FIG. 6 is a back plan view thereof; and, FIG. 7 is a front perspective view of a second embodiment of the tractor bucket adapter system. The broken lines are for illustrative purposes only and form no part of the claimed design.

1 Claim, 3 Drawing Sheets



(56)

References Cited

U.S. PATENT DOCUMENTS

D440,983	S *	4/2001	Miller	D15/28
6,279,665	B1	8/2001	Devaney	
6,578,297	B1	6/2003	Forsberg	
D476,999	S *	7/2003	Truan	D15/28
D480,734	S *	10/2003	Poutre	D15/29
6,718,662	B1	4/2004	Schaff	
6,877,568	B2 *	4/2005	Poutre	A01B 35/22 172/730
7,287,344	B2	10/2007	Kostyak	
D593,848	S *	6/2009	Balemi	D15/28
7,770,657	B2 *	8/2010	Poutre	A01B 35/26 172/724
7,913,431	B1	3/2011	Beam et al.	
D645,061	S *	9/2011	Plummer	D15/28
8,069,591	B2	12/2011	Dunn	
8,545,162	B2	10/2013	Hackett et al.	
D709,529	S *	7/2014	Hutchinson	D15/28
D709,530	S *	7/2014	Hutchinson	D15/28
D824,430	S *	7/2018	Sivinski	D15/28
2007/0221390	A1	9/2007	Hager et al.	
2013/0161035	A1	6/2013	May	

OTHER PUBLICATIONS

Farm Show, "Simple Trenching Tool Has No Moving Parts," 2020, retrieved https://www.farmshow.com/view_articles.php?a_id=397.
 Ratchet Rake, retrieved.com/?gclid=EAlalQobChMI-7CVvtbt5wIVR9bACh1mVAUVEAQYBCABEgls4vD_Bwe.

* cited by examiner

FIG. 1

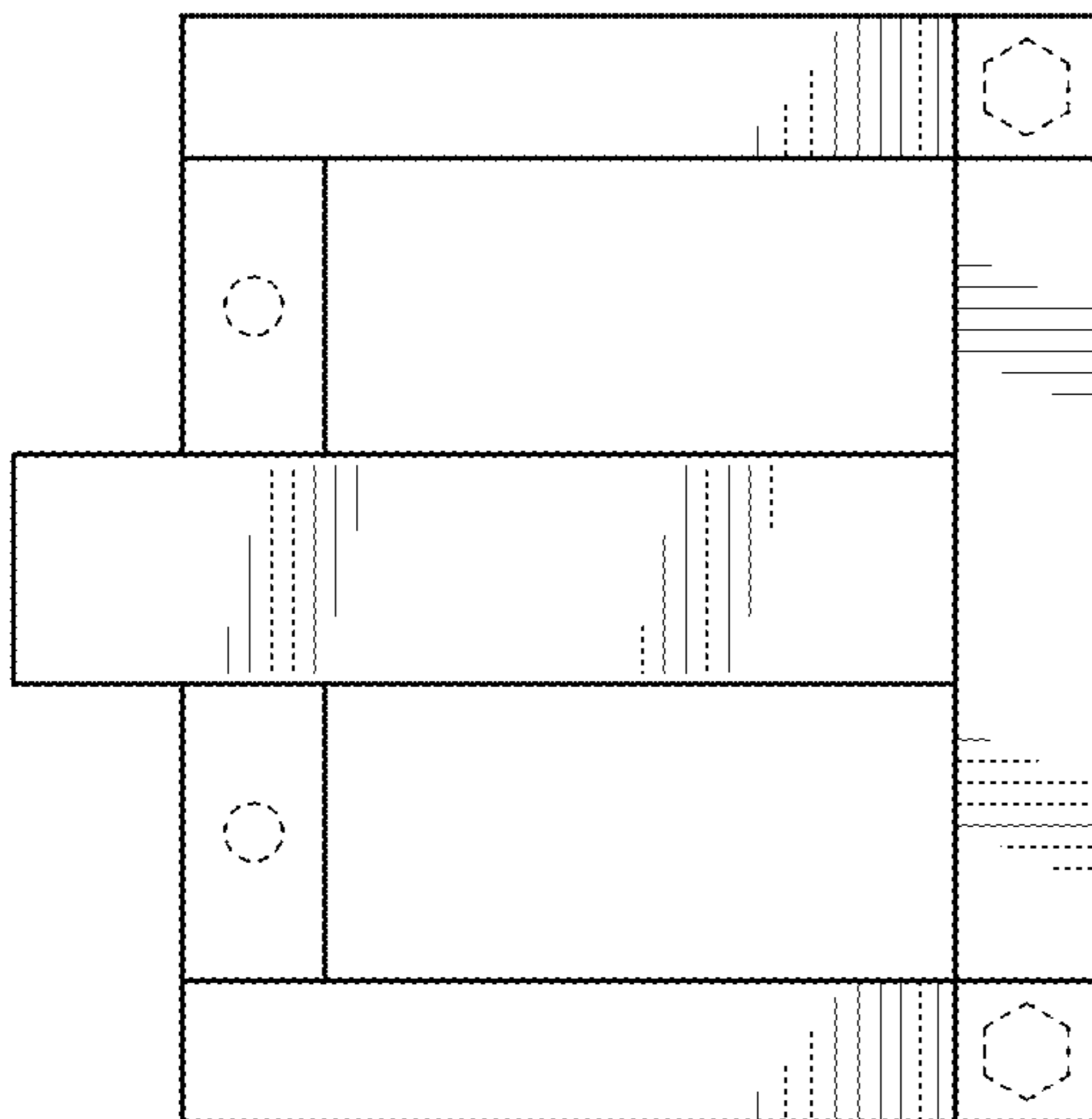
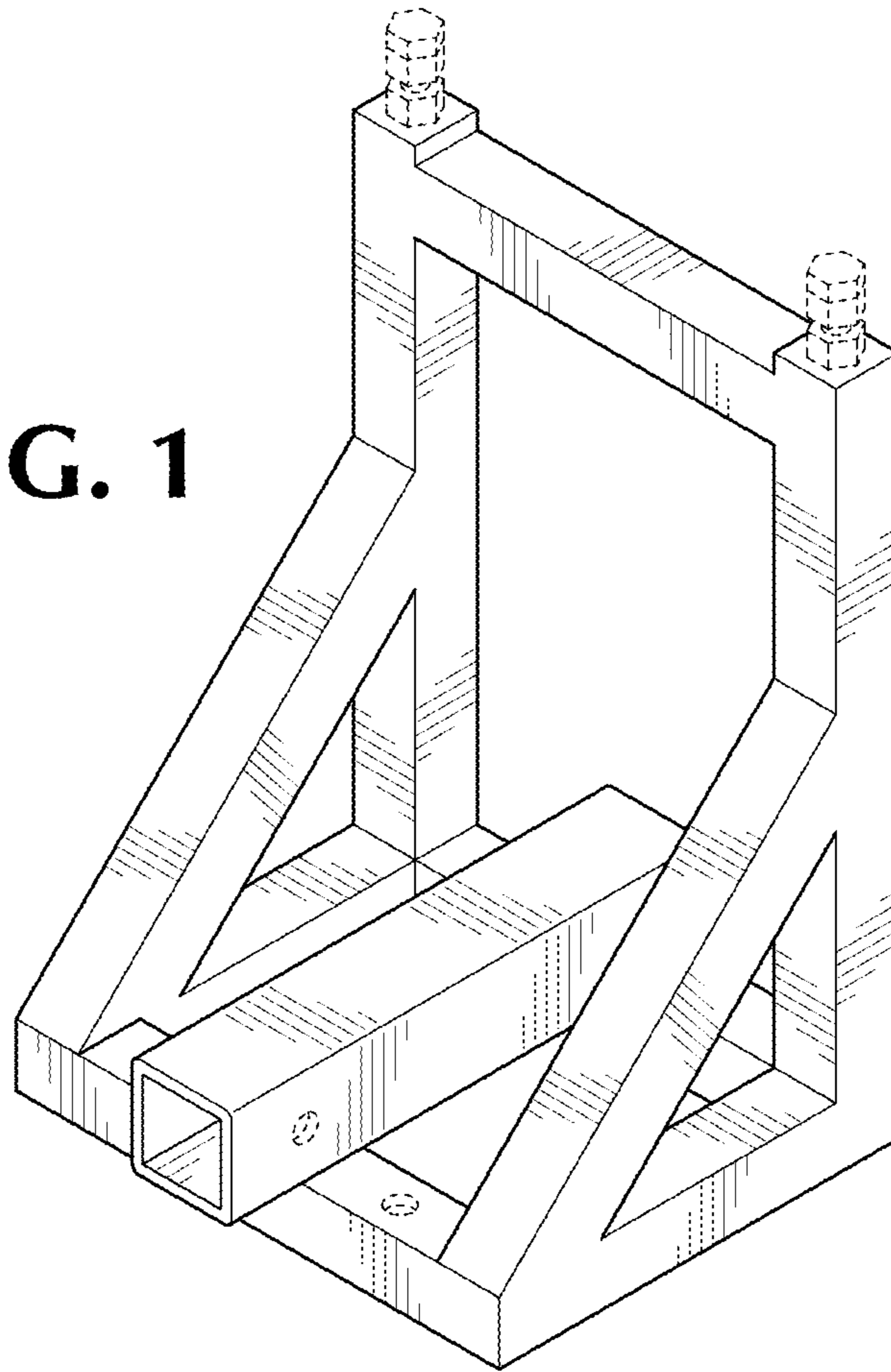


FIG. 2

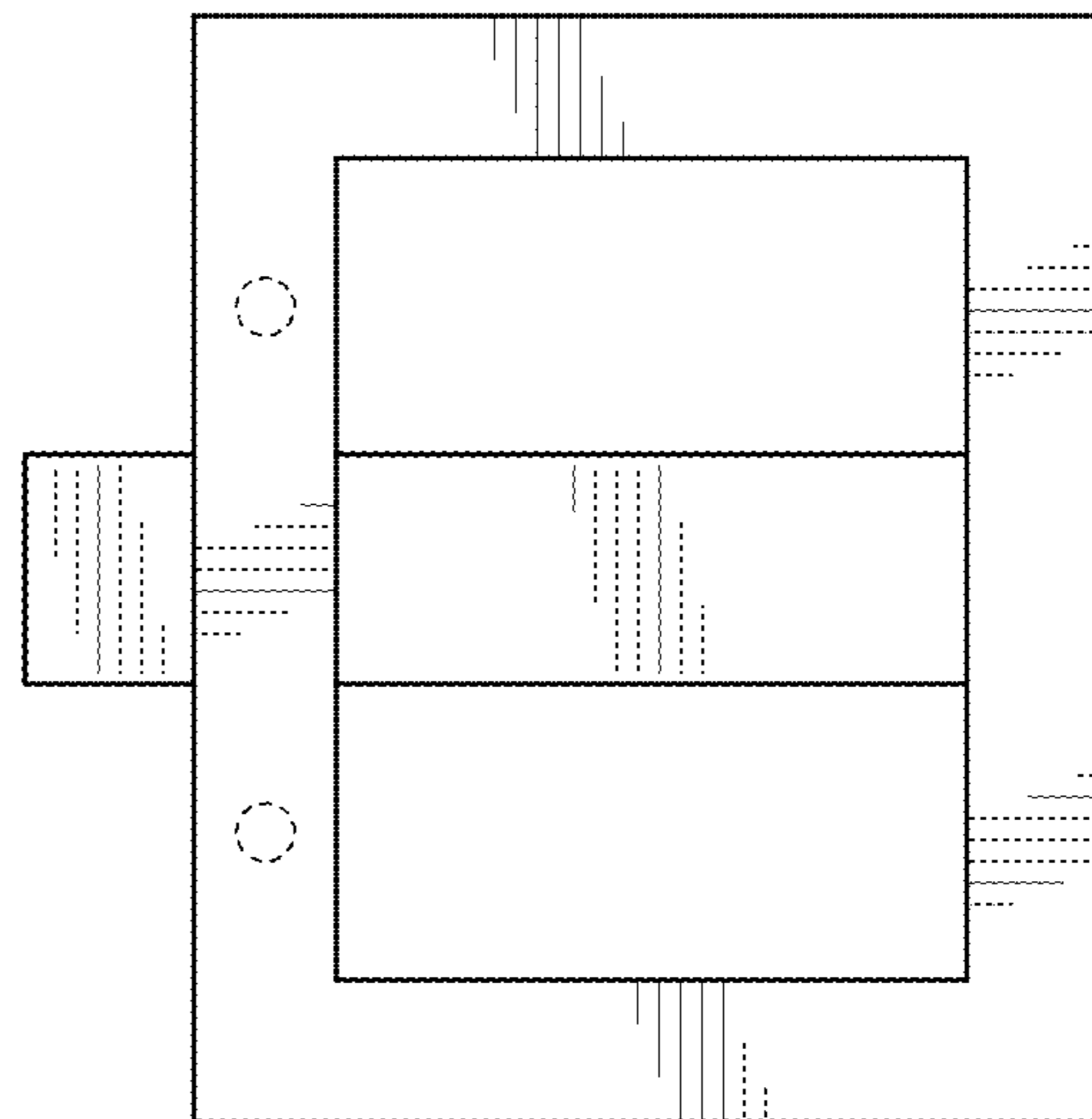


FIG. 3

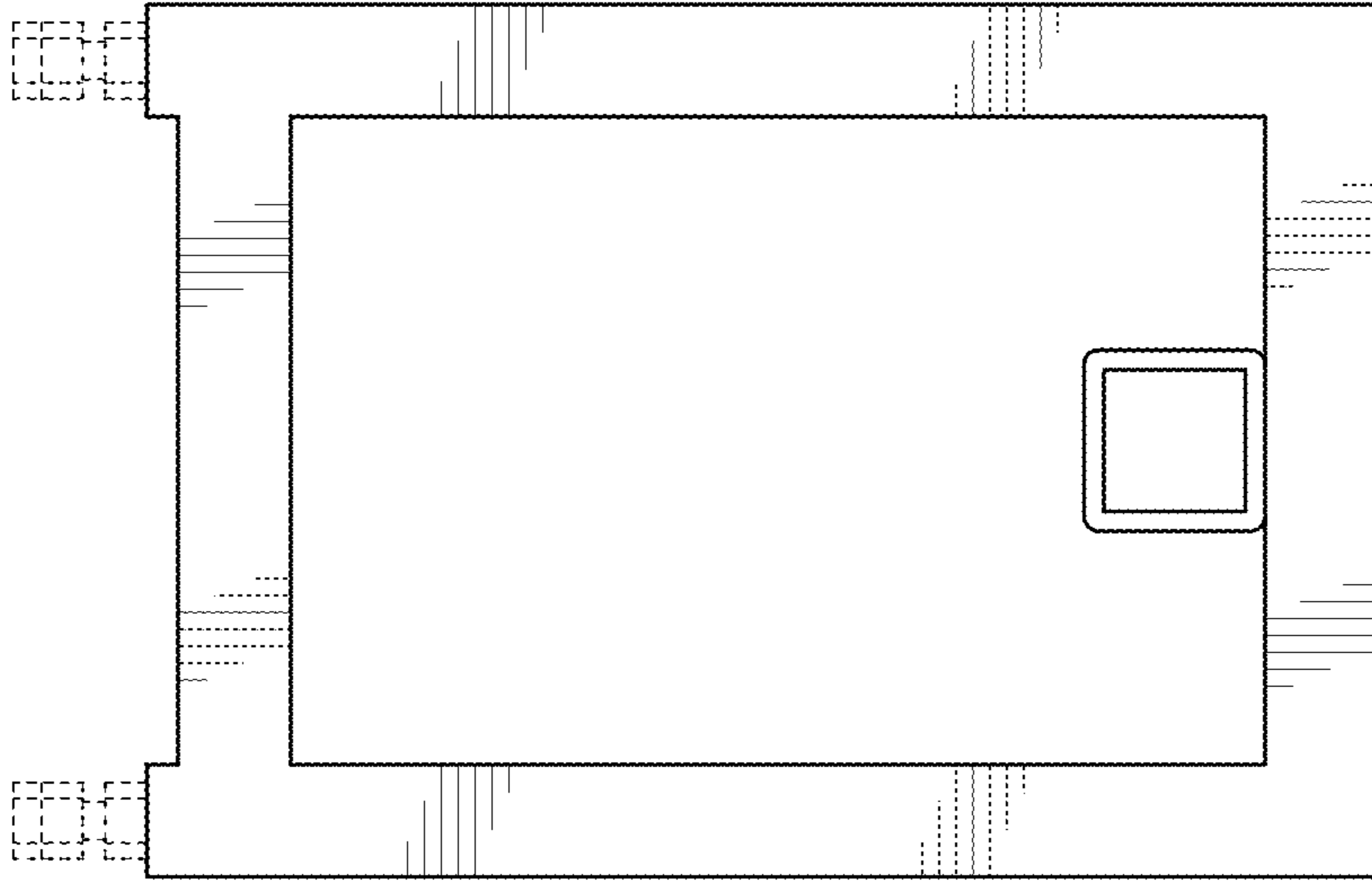


FIG. 4

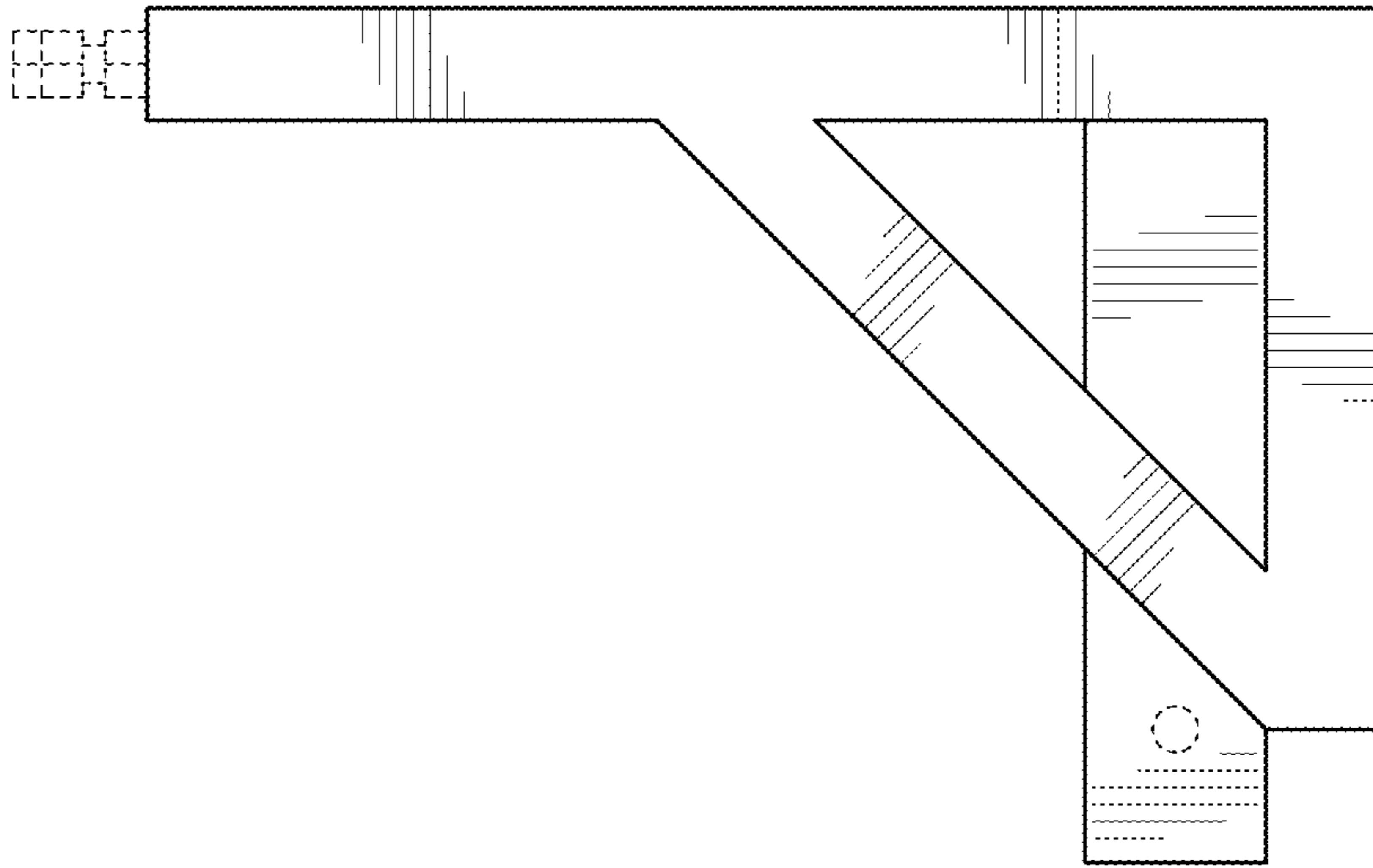


FIG. 5

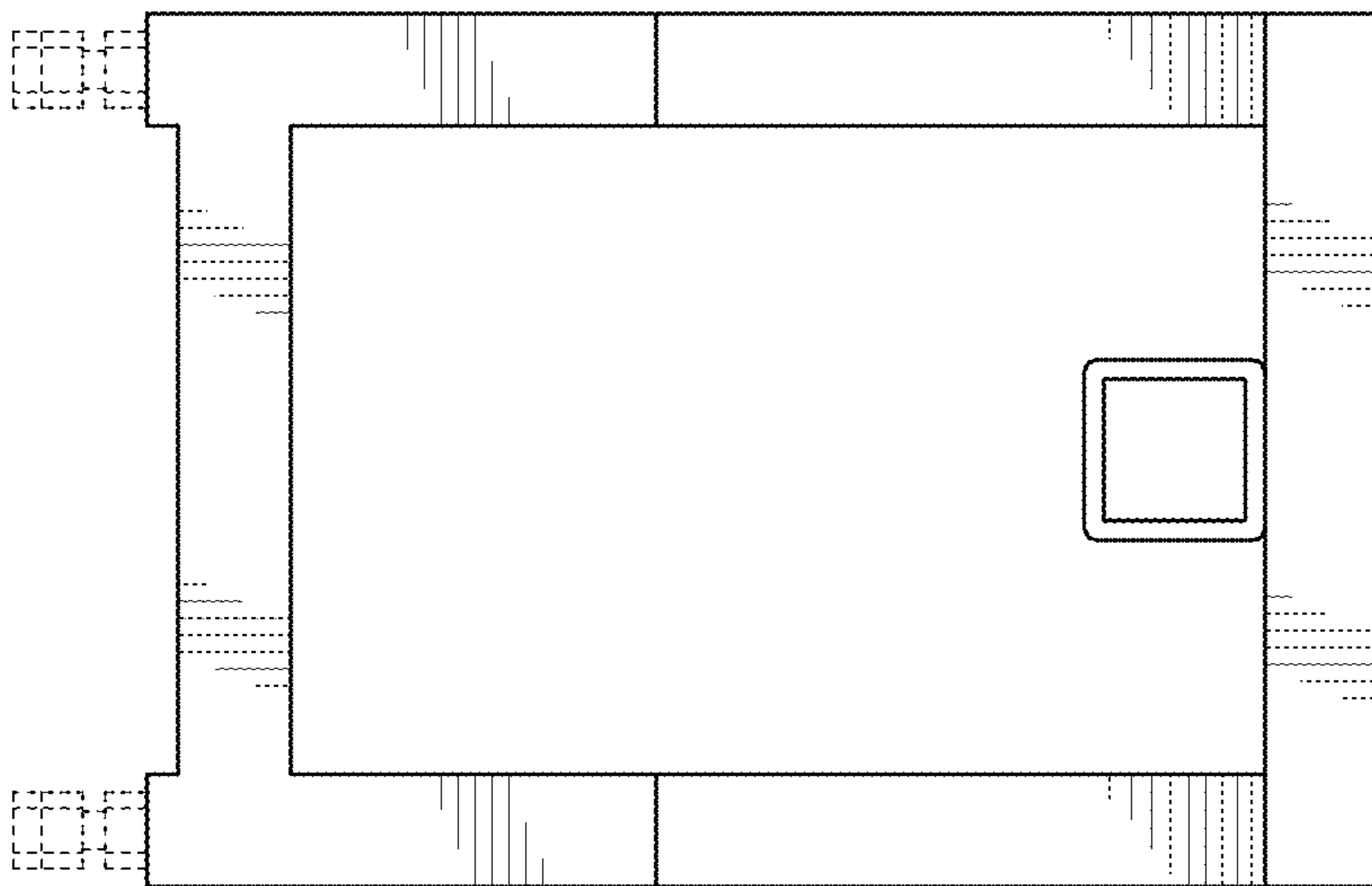


FIG. 6

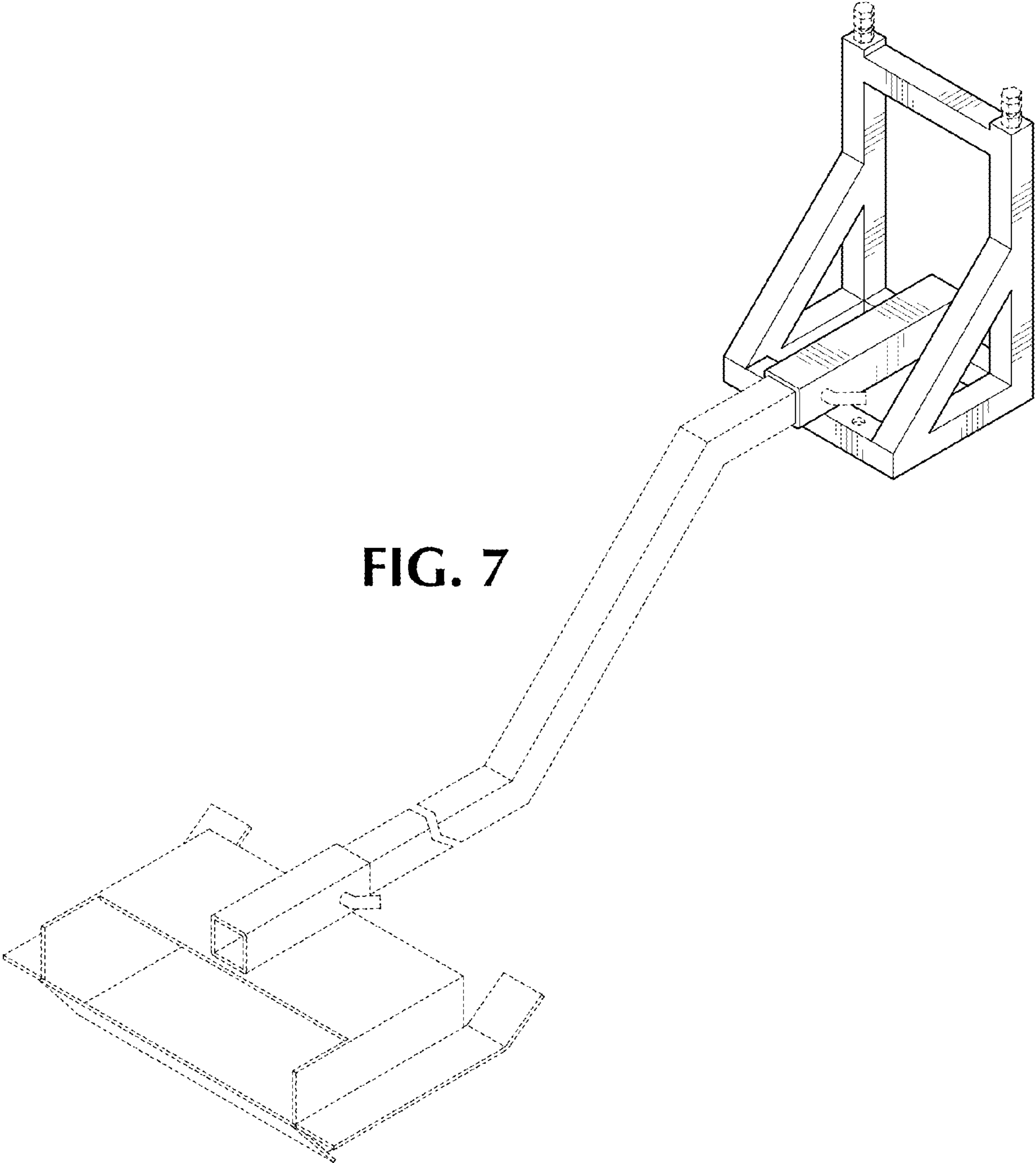


FIG. 7