



US00D915470S

(12) **United States Design Patent**
Ninomiya et al.

(10) **Patent No.:** **US D915,470 S**

(45) **Date of Patent:** **** Apr. 6, 2021**

(54) **EXCAVATOR**

(71) Applicant: **Hitachi Construction Machinery Co., Ltd.**, Tokyo (JP)

(72) Inventors: **Atsushi Ninomiya**, Tokyo (JP); **Yusuke Daimon**, Tokyo (JP); **Katsumi Usami**, Tokyo (JP); **Hiroyuki Kamata**, Ibaraki (JP); **Hidefumi Hiramatsu**, Ibaraki (JP); **Takeo Manabe**, Ibaraki (JP); **Ei Takahashi**, Ibaraki (JP)

(73) Assignee: **Hitachi Construction Machinery Co., Ltd.**, Tokyo (JP)

(**) Term: **15 Years**

(21) Appl. No.: **29/707,170**

(22) Filed: **Sep. 26, 2019**

(30) **Foreign Application Priority Data**

Mar. 28, 2019 (JP) 2019-006773

(51) **LOC (13) Cl.** **12-09**

(52) **U.S. Cl.**

USPC **D15/25**

(58) **Field of Classification Search**

USPC D15/10, 22-26, 33, 28, 31; D21/431; 37/403, 409, 442, 443; 180/89.1, 89.12, 180/89.13; 296/190.03; 414/685, 694, 414/722, 724

CPC E02F 9/0841; E02F 3/3411; E02F 3/76; E02F 3/34; E02F 3/00; E02F 7/00; B62D 21/186; B62D 53/028

See application file for complete search history.

(56) **References Cited**

U.S. PATENT DOCUMENTS

D432,144 S * 10/2000 Kraft D15/25
D432,145 S * 10/2000 Kraft D15/25

D437,602 S * 2/2001 Hiraoka D15/25
D460,975 S * 7/2002 Yanagida D15/25
D481,044 S * 10/2003 Tokach D15/30
D494,986 S * 8/2004 Tokach D15/30
D534,552 S * 1/2007 Yanagida D15/25
D538,304 S * 3/2007 Uemura D15/25
D549,245 S * 8/2007 Antonetti D15/30
D590,847 S * 4/2009 Yonekura D15/25
D594,037 S * 6/2009 Uemura D15/30
D607,904 S * 1/2010 Reisenauer D15/30
D607,905 S * 1/2010 Reisenauer D15/30
D658,211 S * 4/2012 Hiraoka D15/25
D663,324 S * 7/2012 Fuchita D15/25
D663,751 S * 7/2012 Yogita D15/25
D677,703 S * 3/2013 Hiraoka D15/25

(Continued)

FOREIGN PATENT DOCUMENTS

JP D1371360 S 10/2012

Primary Examiner — Mark A Goodwin

(74) *Attorney, Agent, or Firm* — Crowell & Moring LLP

(57) **CLAIM**

The ornamental design for an excavator, as shown and described.

DESCRIPTION

The file of this patent contains at least one drawing executed in color. Copies of this patent with color drawings will be provided by the United States Patent and Trademark office upon request and payment of the necessary fee.

FIG. 1 is a front, top and right side perspective view of an excavator according to the design;

FIG. 2 is a front elevational view thereof;

FIG. 3 is a left side elevational view thereof;

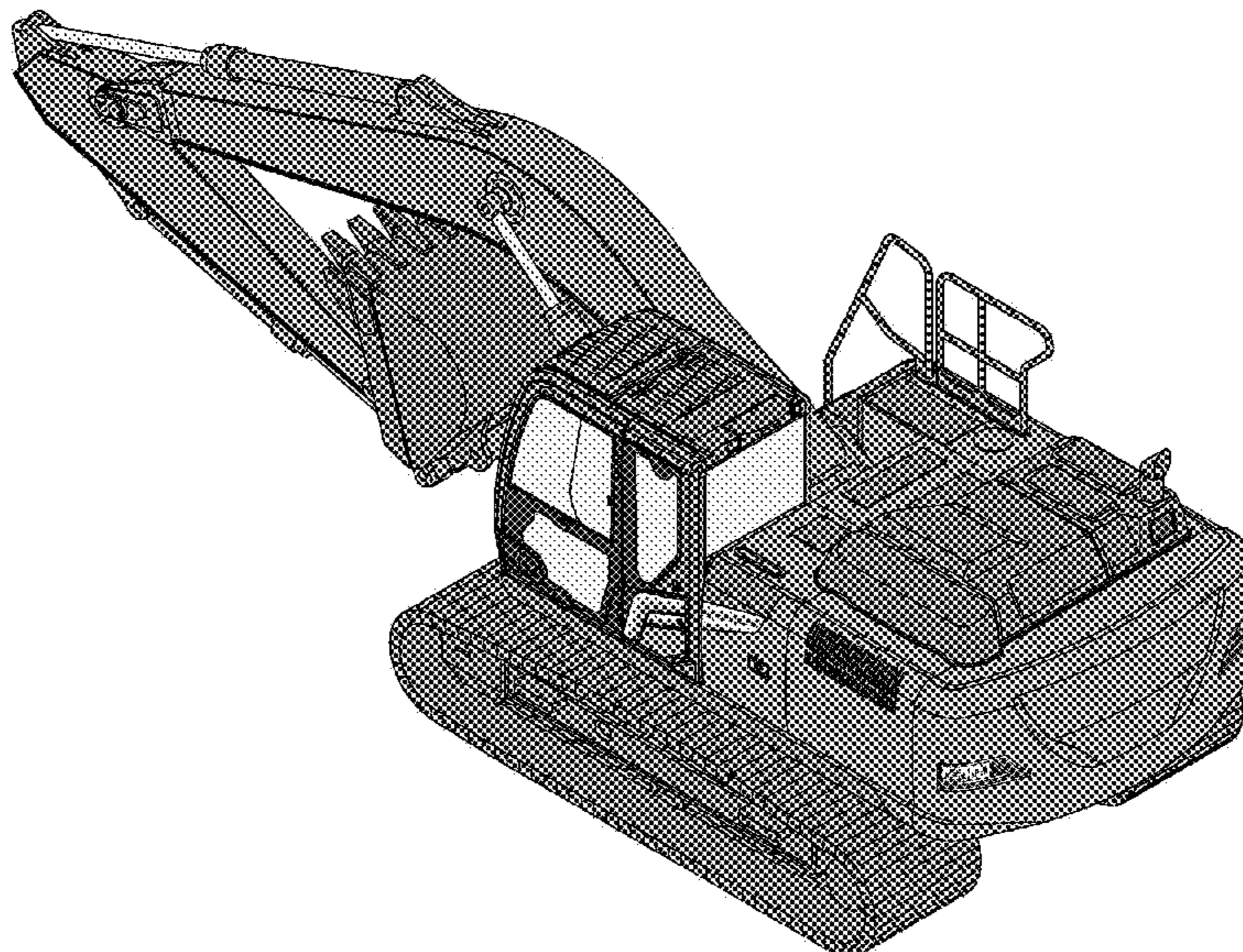
FIG. 4 is a right side elevational view thereof;

FIG. 5 is a top plan view thereof; and,

FIG. 6 is a rear elevational view thereof.

1 Claim, 5 Drawing Sheets

(5 of 5 Drawing Sheet(s) Filed in Color)



(56)

References Cited

U.S. PATENT DOCUMENTS

D678,354	S	*	3/2013	Hiraoka	D15/25
D692,924	S	*	11/2013	Hatanaka	D15/24
D707,261	S	*	6/2014	Caboret	D15/24
D711,927	S	*	8/2014	Yoshita	D15/24
D716,845	S	*	11/2014	Hayami	D15/25
D751,123	S	*	3/2016	Kzakoff	D15/30
D759,127	S	*	6/2016	Higuchi	D15/24
D773,537	S	*	12/2016	Fiser	D15/30
D774,112	S	*	12/2016	Fiser	D15/30
D778,962	S	*	2/2017	Higuchi	D15/24
9,689,140	B2	*	6/2017	Baba E02F 9/2029	
9,834,905	B2	*	12/2017	Matsuyama E02F 9/2285	
D830,421	S	*	10/2018	Colclough	D15/24
D830,422	S	*	10/2018	Colclough	D15/24
D830,426	S	*	10/2018	Colclough	D15/25
D835,160	S	*	12/2018	Jilbert	D15/25
D842,344	S	*	3/2019	Okuyama	D15/23
D849,062	S	*	5/2019	Jilbert	D15/25
D854,054	S	*	7/2019	Hirasawa	D15/22
D855,082	S	*	7/2019	Okuyama	D15/25
D855,660	S	*	8/2019	Jilbert	D15/25
D870,159	S	*	12/2019	Jilbert	D15/22
D875,143	S	*	2/2020	Hagura	D15/24

* cited by examiner

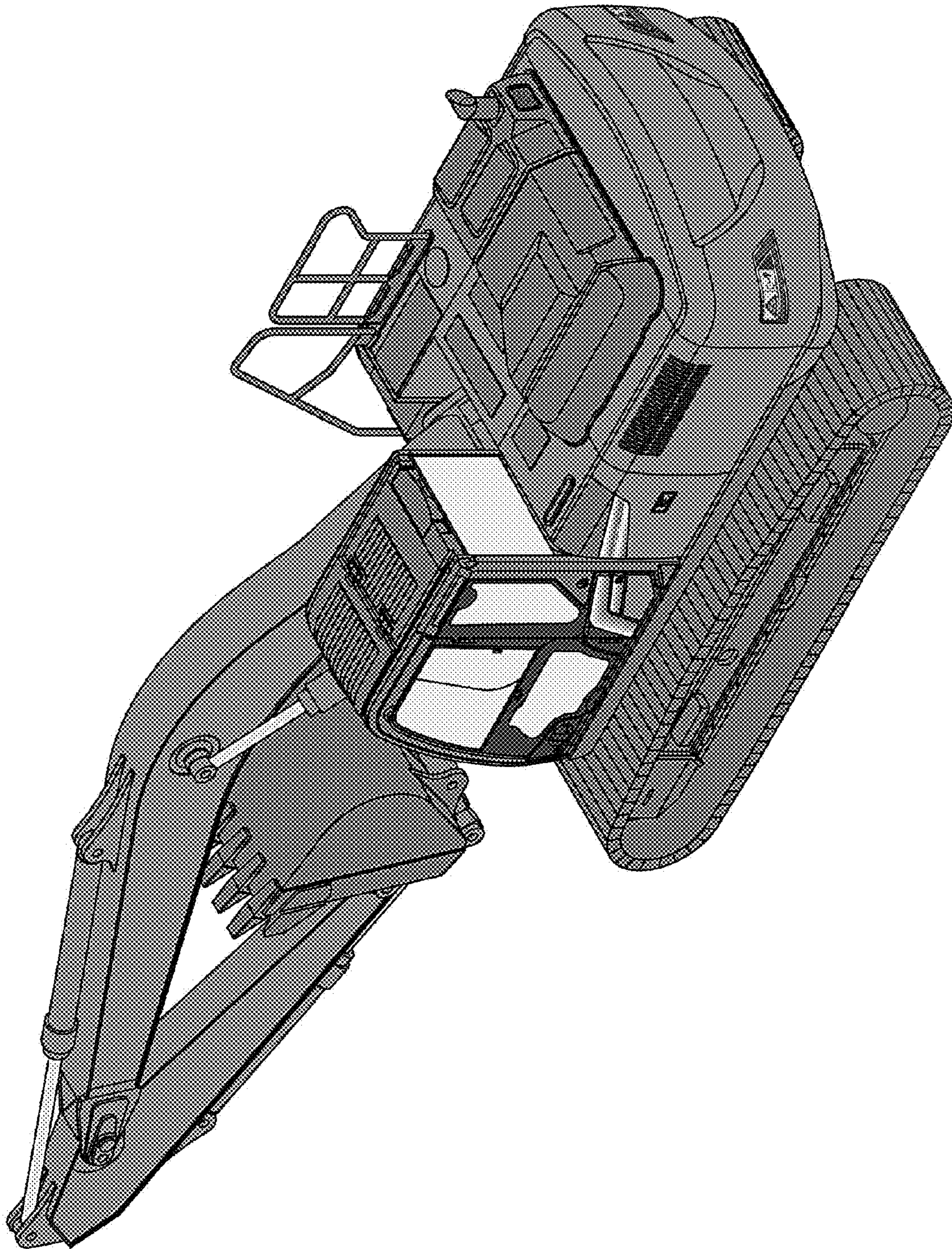


FIG. 1

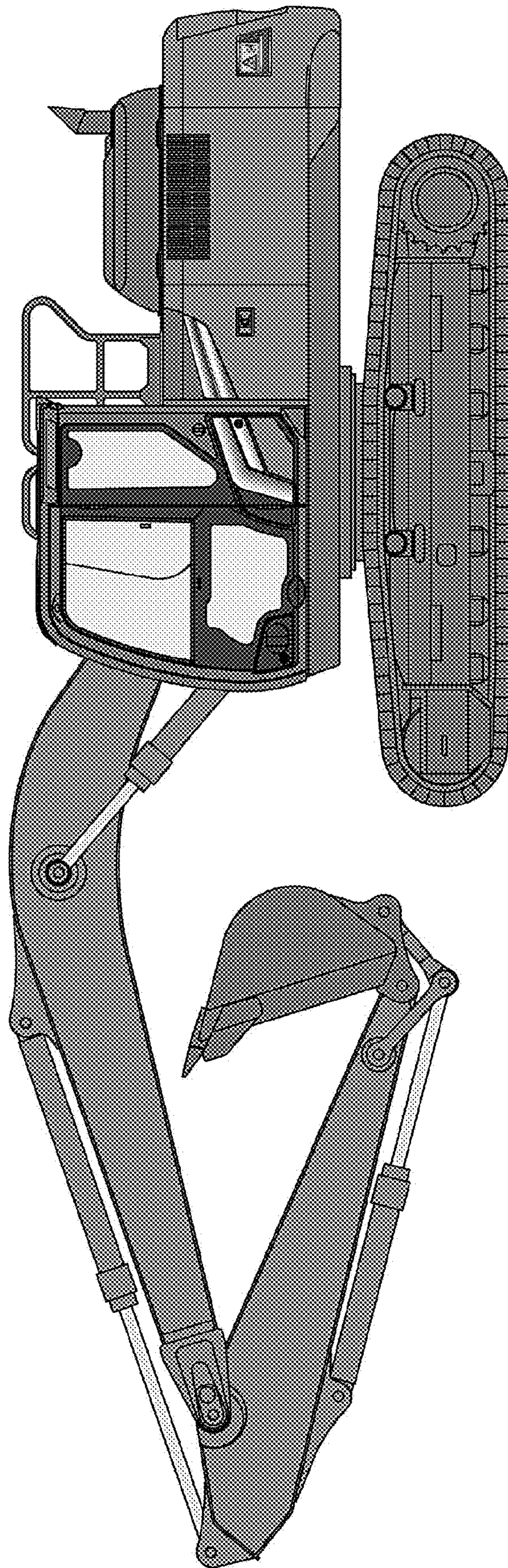


FIG. 2

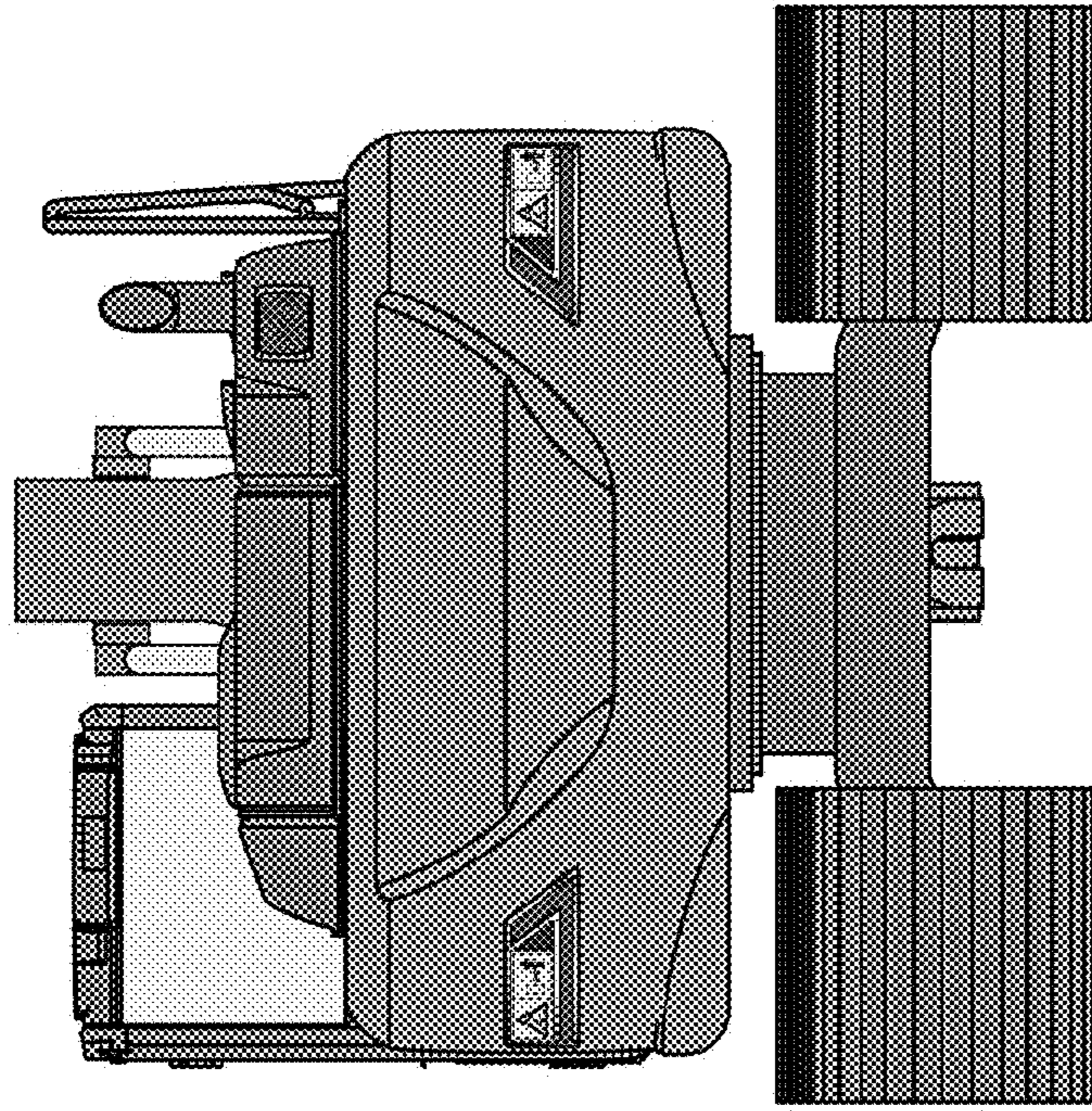


FIG. 4

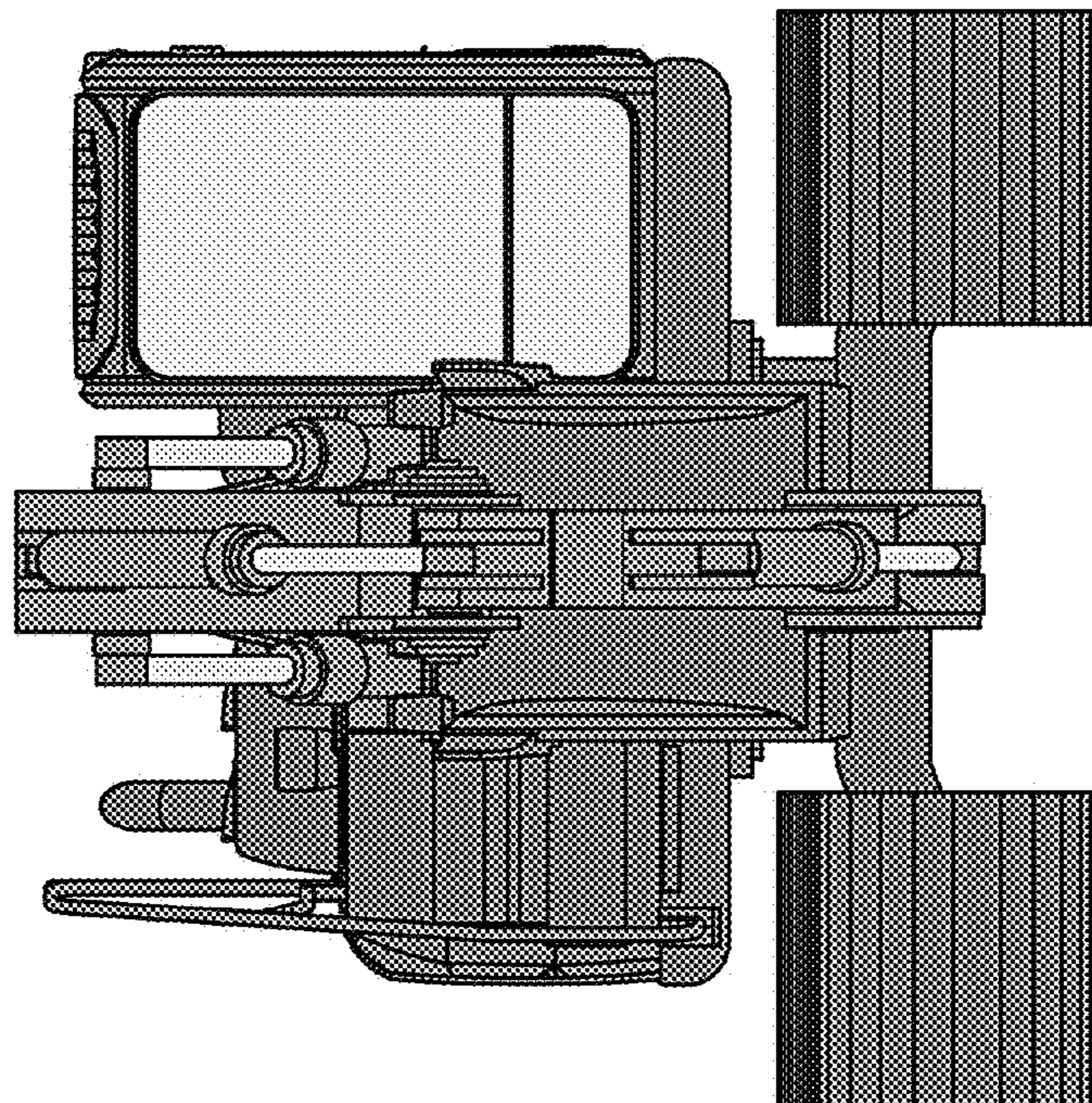


FIG. 3

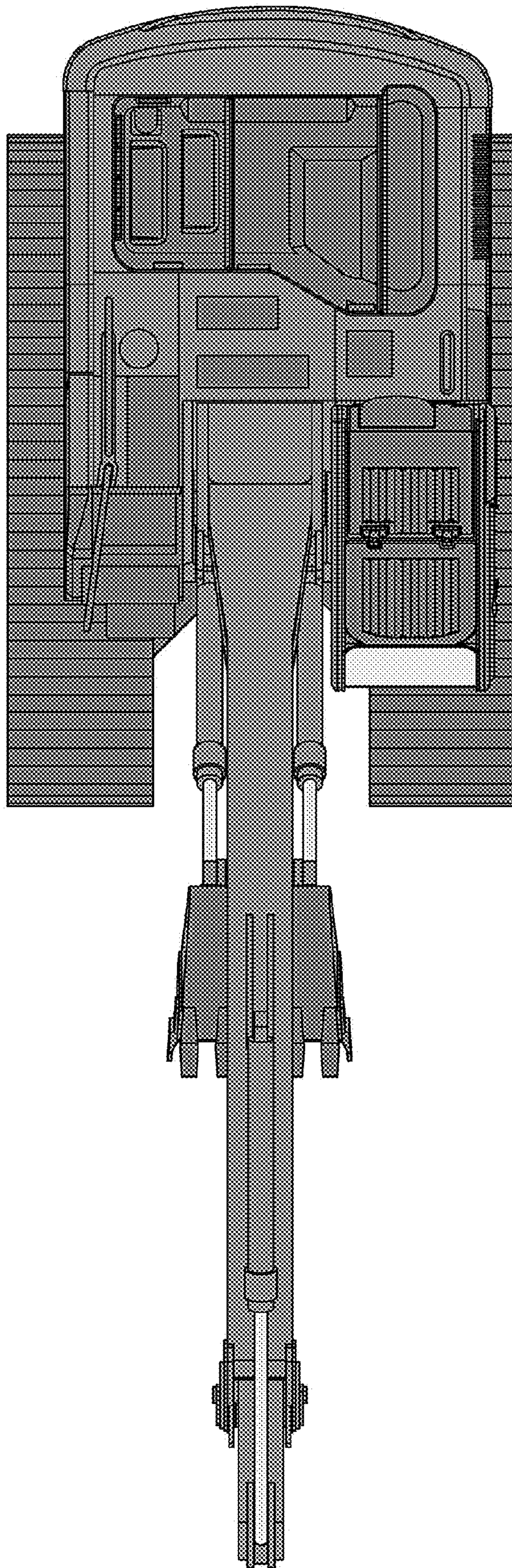


FIG. 5

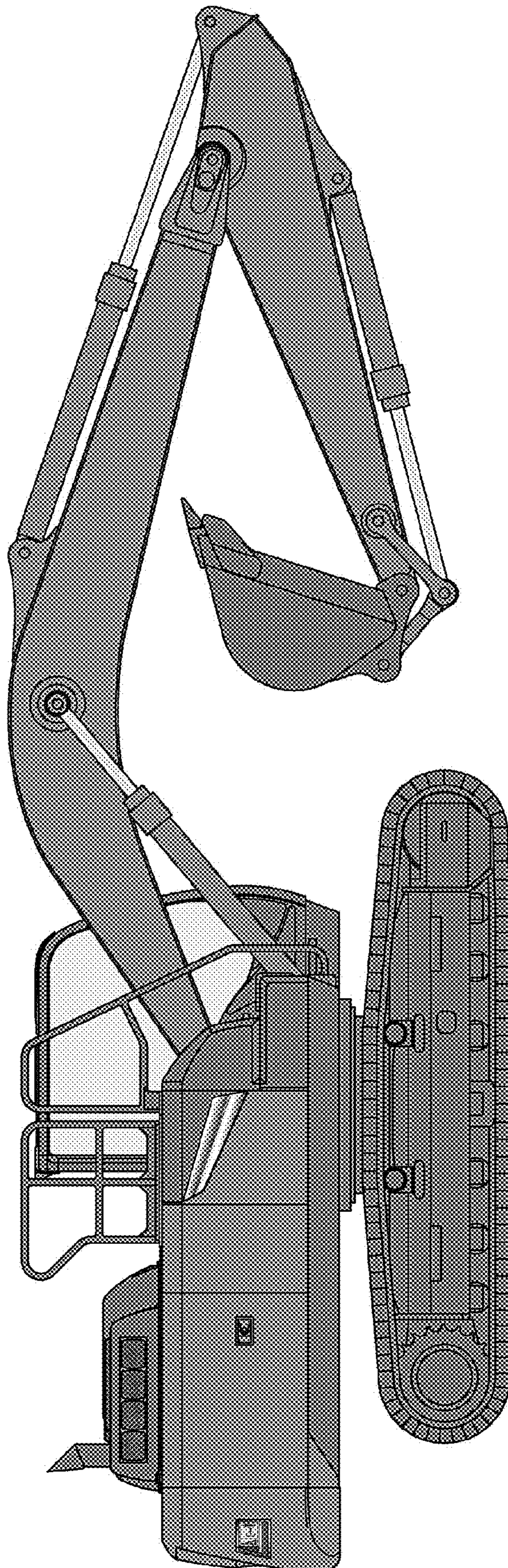


FIG. 6