



US00D915469S

(12) **United States Design Patent**  
**Ninomiya et al.**

(10) **Patent No.:** **US D915,469 S**

(45) **Date of Patent:** **\*\* Apr. 6, 2021**

(54) **WHEEL LOADER**

D410,930 S \* 6/1999 Kim ..... D15/25  
D540,352 S \* 4/2007 Sato ..... D15/25  
D549,738 S \* 8/2007 Hiraoka ..... D15/25  
D590,846 S \* 4/2009 Kissinger ..... D15/22

(Continued)

(71) Applicant: **Hitachi Construction Machinery Co., Ltd.**, Tokyo (JP)

(72) Inventors: **Atsushi Ninomiya**, Tokyo (JP); **Yusuke Daimon**, Tokyo (JP); **Katsumi Usami**, Tokyo (JP); **Hiroyuki Ishida**, Ibaraki (JP); **Takatomo Ohno**, Ibaraki (JP); **Amane Yamada**, Ibaraki (JP); **Hisashi Nakamura**, Ibaraki (JP); **Ami Handa**, Ibaraki (JP)

FOREIGN PATENT DOCUMENTS

JP D1420513 S 8/2011  
JP D1442230 S 5/2012

(73) Assignee: **Hitachi Construction Machinery Co., Ltd.**, Tokyo (JP)

U.S. Design Patent Application for "Wheel Loader", U.S. Appl. No. 29/698,499, filed Jul. 17, 2019.

(Continued)

(\*\*) Term: **15 Years**

*Primary Examiner* — Mark A Goodwin

(21) Appl. No.: **29/698,505**

(74) *Attorney, Agent, or Firm* — Crowell & Moring LLP

(22) Filed: **Jul. 17, 2019**

(57) **CLAIM**

(30) **Foreign Application Priority Data**

The ornamental design for a wheel loader, as shown and described.

Jan. 18, 2019 (JP) ..... 2019-000937

(51) **LOC (13) Cl.** ..... **12-09**

**DESCRIPTION**

(52) **U.S. Cl.**  
USPC ..... **D15/25**

(58) **Field of Classification Search**  
USPC ..... D15/10, 22-26, 33, 28, 31; D21/431;  
37/403, 409, 442, 443; 180/89.1, 89.12,  
180/89.13; 296/190.03; 414/685, 694,  
414/722, 724  
CPC ..... E02F 9/0841; E02F 3/3411; E02F 3/76;  
E02F 3/34; E02F 3/00; E02F 7/00; B62D  
21/186; B62D 53/028  
See application file for complete search history.

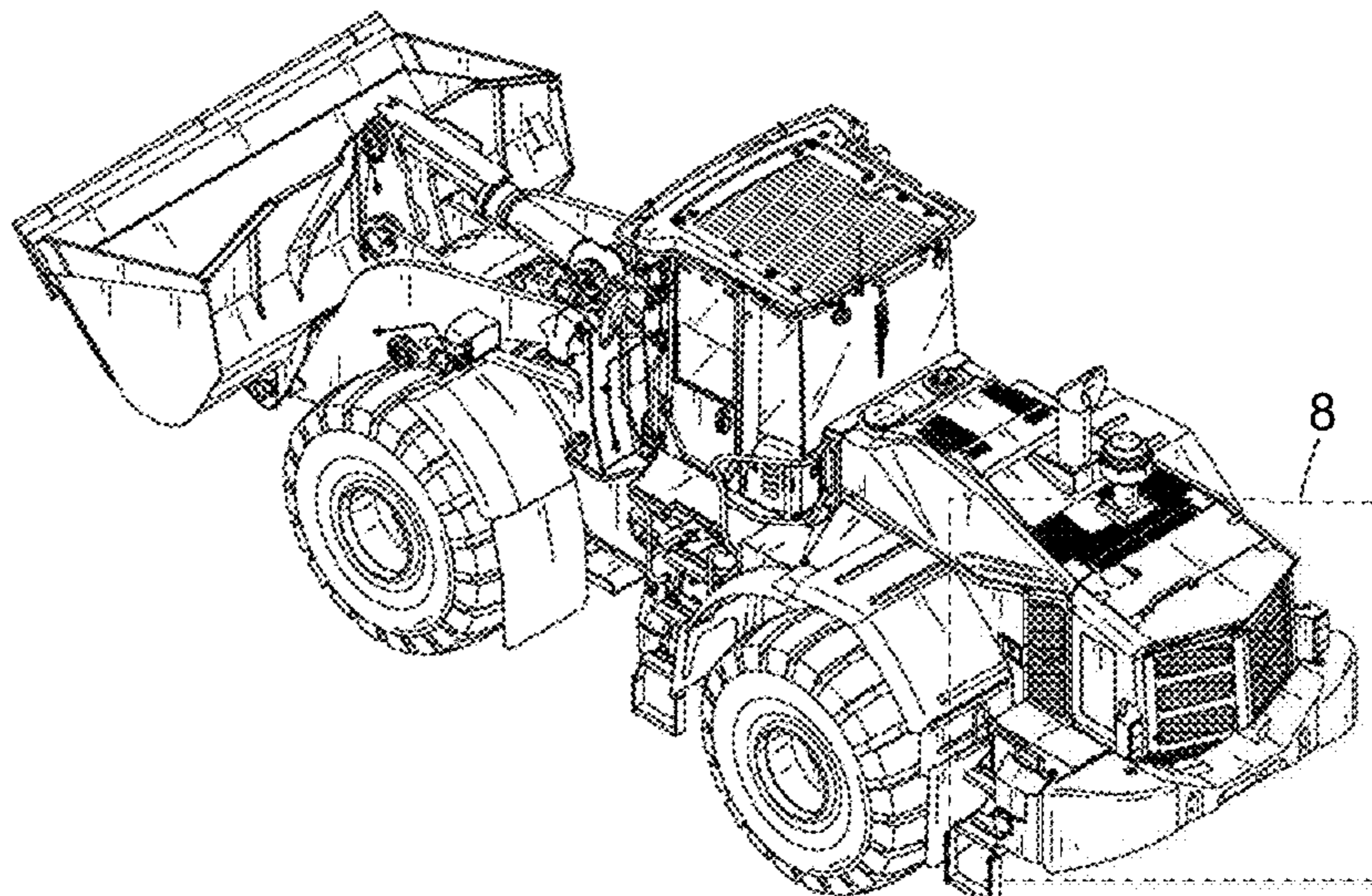
FIG. 1 is a front, top and right side perspective view of a wheel loader according to the design;  
FIG. 2 is a rear, top and left side perspective view thereof;  
FIG. 3 is a front elevational view thereof;  
FIG. 4 is a rear elevational view thereof;  
FIG. 5 is a left side elevational view thereof;  
FIG. 6 is a right side elevational view thereof;  
FIG. 7 is a top plan view thereof;  
FIG. 8 is an enlarged view of the portion shown in BOX 8 in FIG. 1; and,  
FIG. 9 is an enlarged view of the portion shown in BOX 9 in FIG. 6.  
The box labelled as 8 in FIG. 1 and the box labelled as 9 in FIG. 6 are shown in broken lines and form no part of the claimed design.

(56) **References Cited**

U.S. PATENT DOCUMENTS

D326,858 S \* 6/1992 Skeel ..... D15/25  
D405,807 S \* 2/1999 Amy ..... D15/25

**1 Claim, 8 Drawing Sheets**



(56)

**References Cited**

U.S. PATENT DOCUMENTS

D652,061 S	1/2012	Hiraoka et al.	
D652,062 S	1/2012	Hiraoka et al.	
D693,853 S	11/2013	Hiraoka et al.	
D708,232 S *	7/2014	Furuki .....	D15/23
D742,424 S *	11/2015	Turner .....	D15/25
D747,747 S *	1/2016	Turner .....	D15/25
D756,420 S *	5/2016	Okuyama .....	D15/23
D758,457 S *	6/2016	Okuyama .....	D15/23
D819,087 S *	5/2018	Ulmefors .....	D15/25
D819,705 S *	6/2018	Ulmefors .....	D15/25

OTHER PUBLICATIONS

“New Features on Large Doosan Wheel Loaders”, Apr. 24, 2018, Hub 4, <https://hub-4.com/news/new-features-on-large-dosan-wheel-loaders-1> (three (3) pages).

Non-final Rejection issued in related U.S. Appl. No. 29/698,499 dated Aug. 21, 2020 (eights (8) pages).

\* cited by examiner

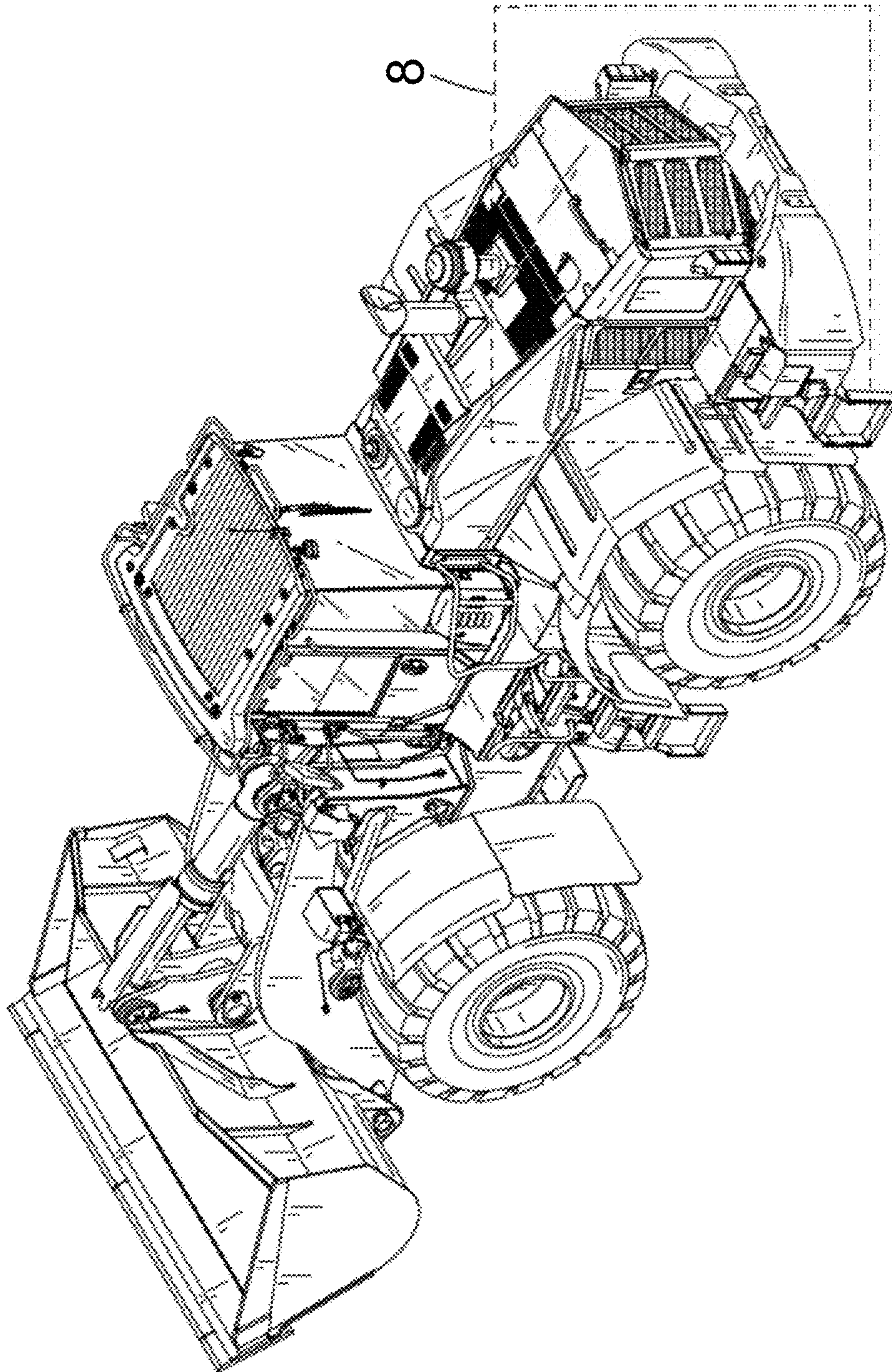


FIG. 1

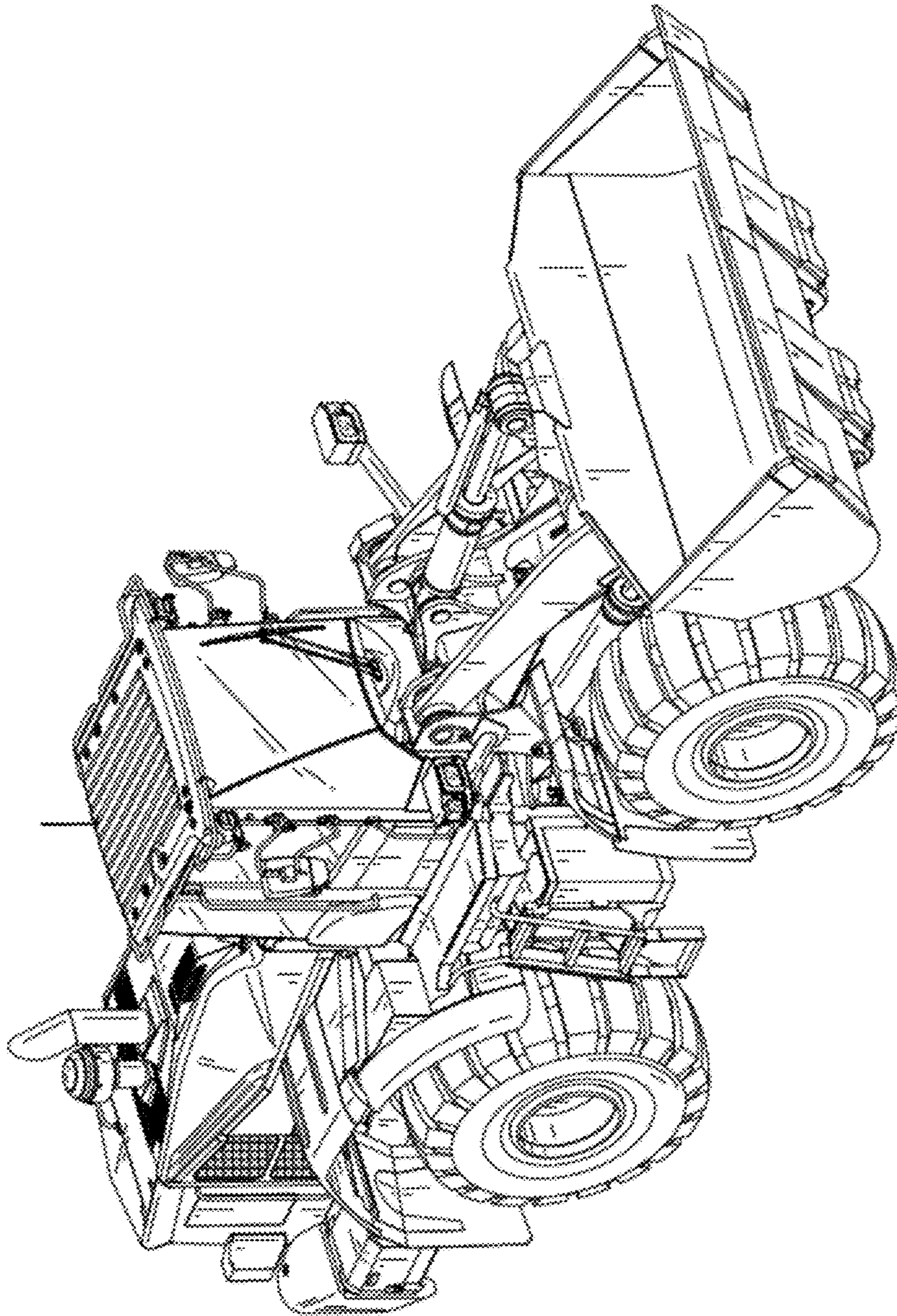


FIG. 2

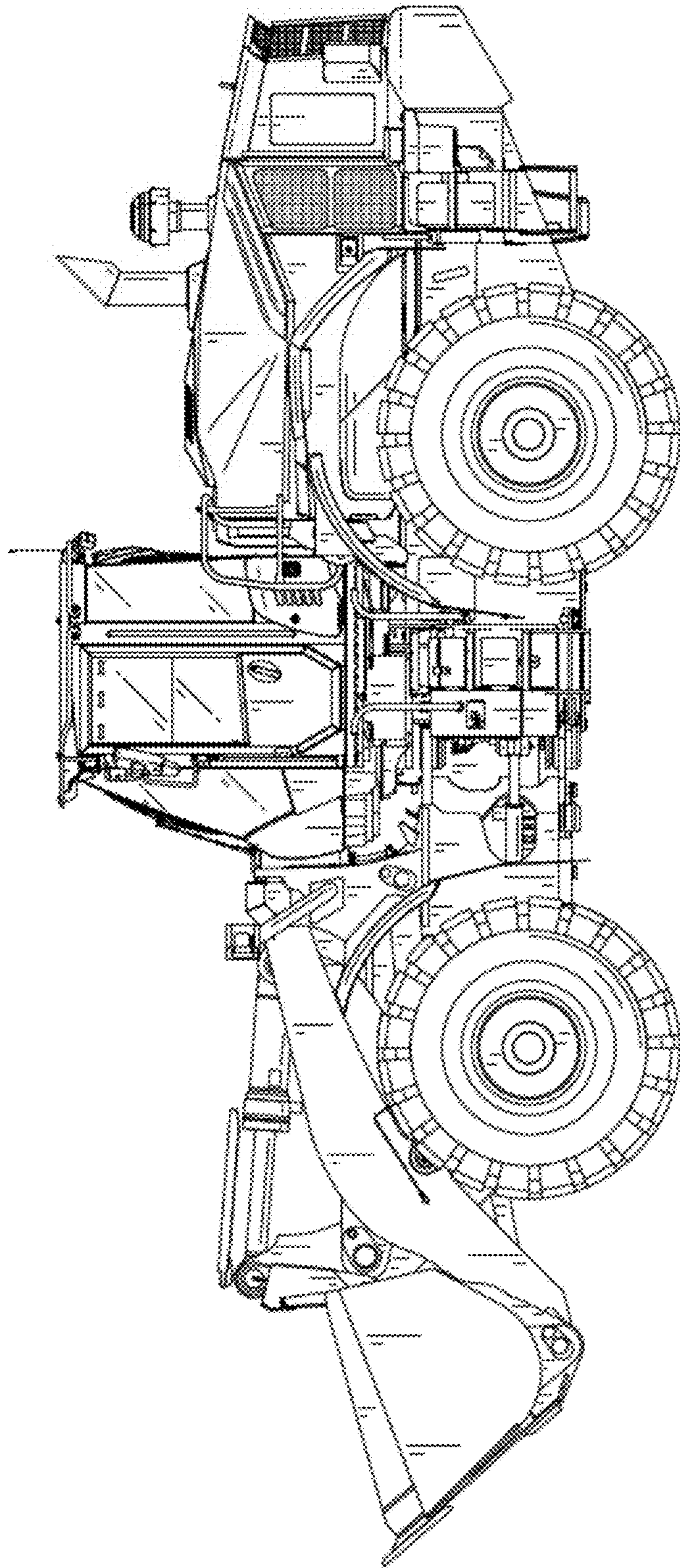


FIG. 3

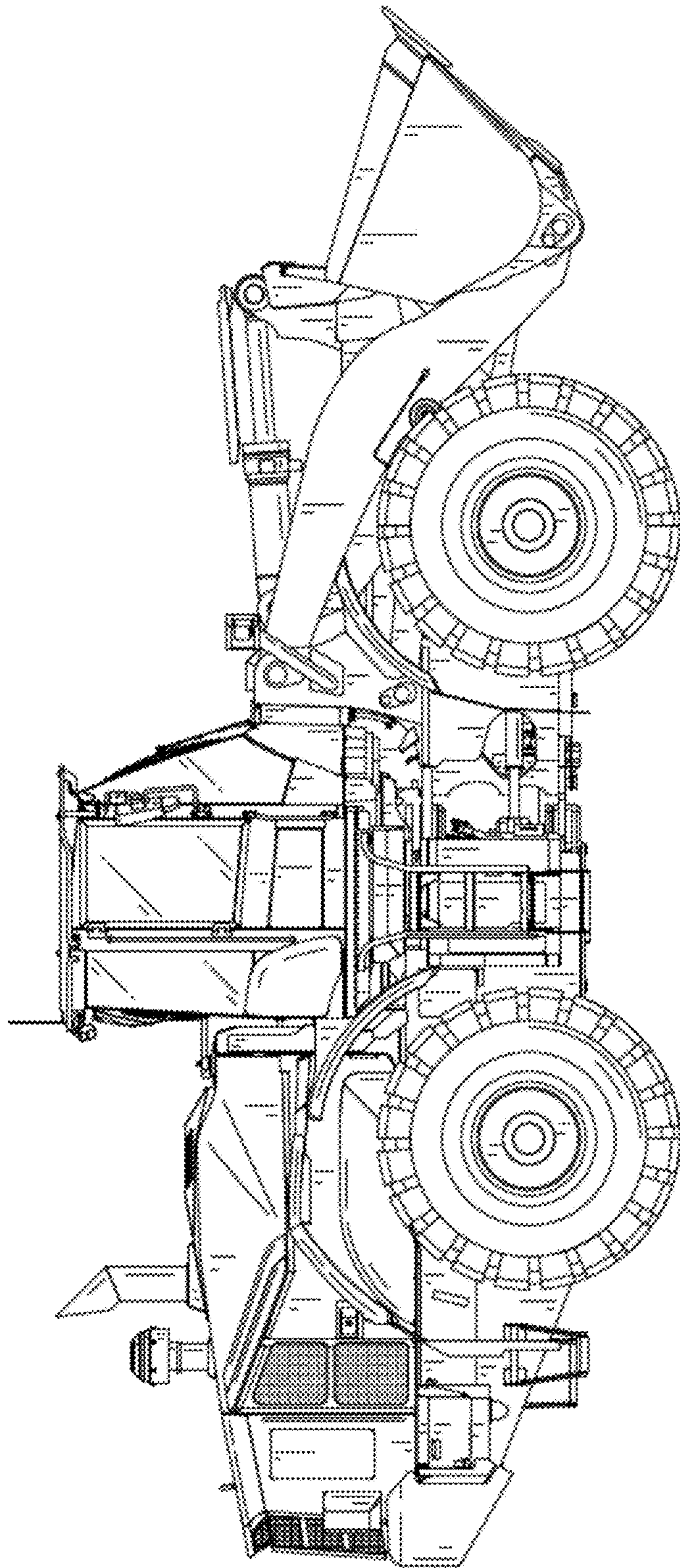


FIG. 4

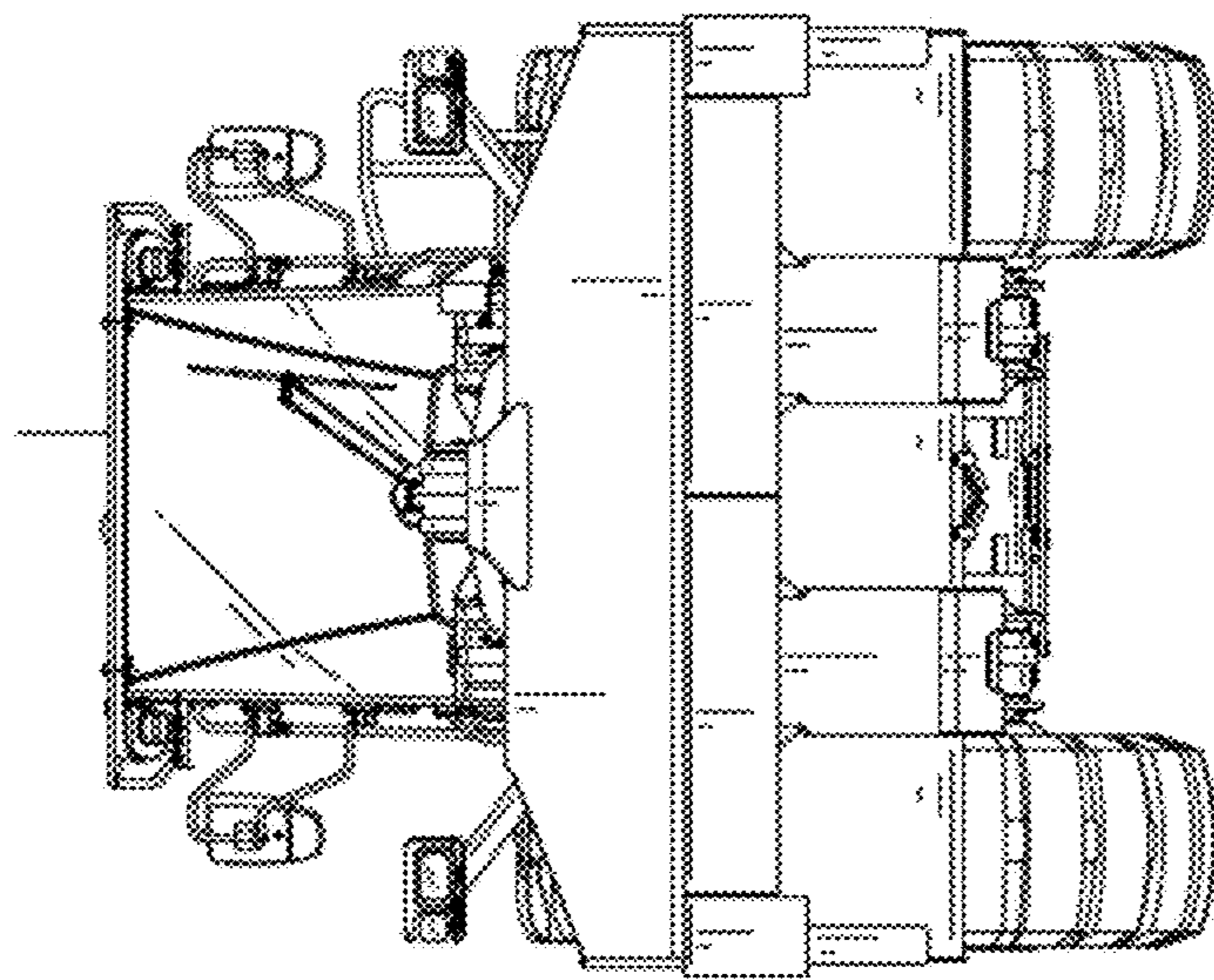
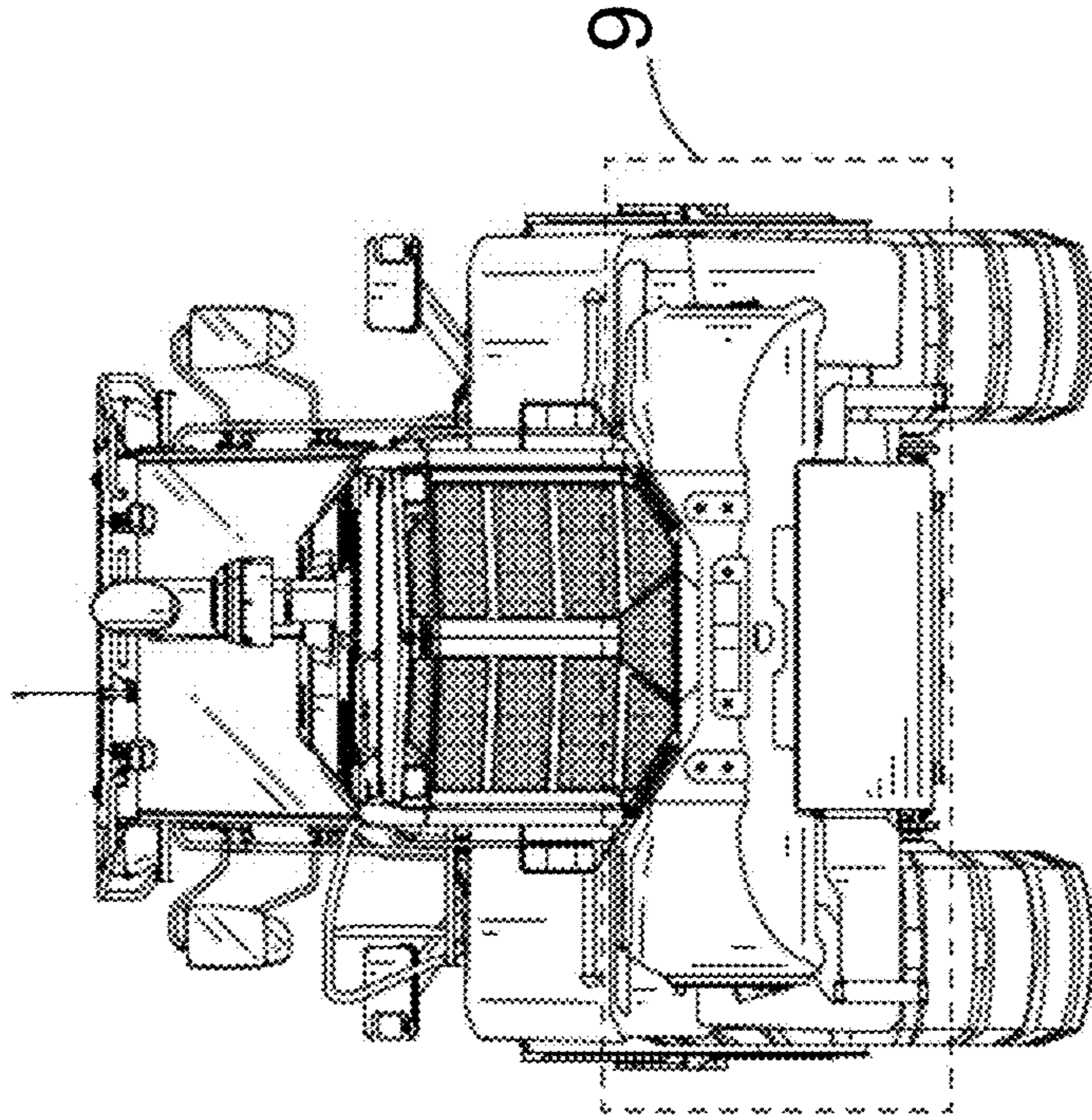


FIG. 5

FIG. 6

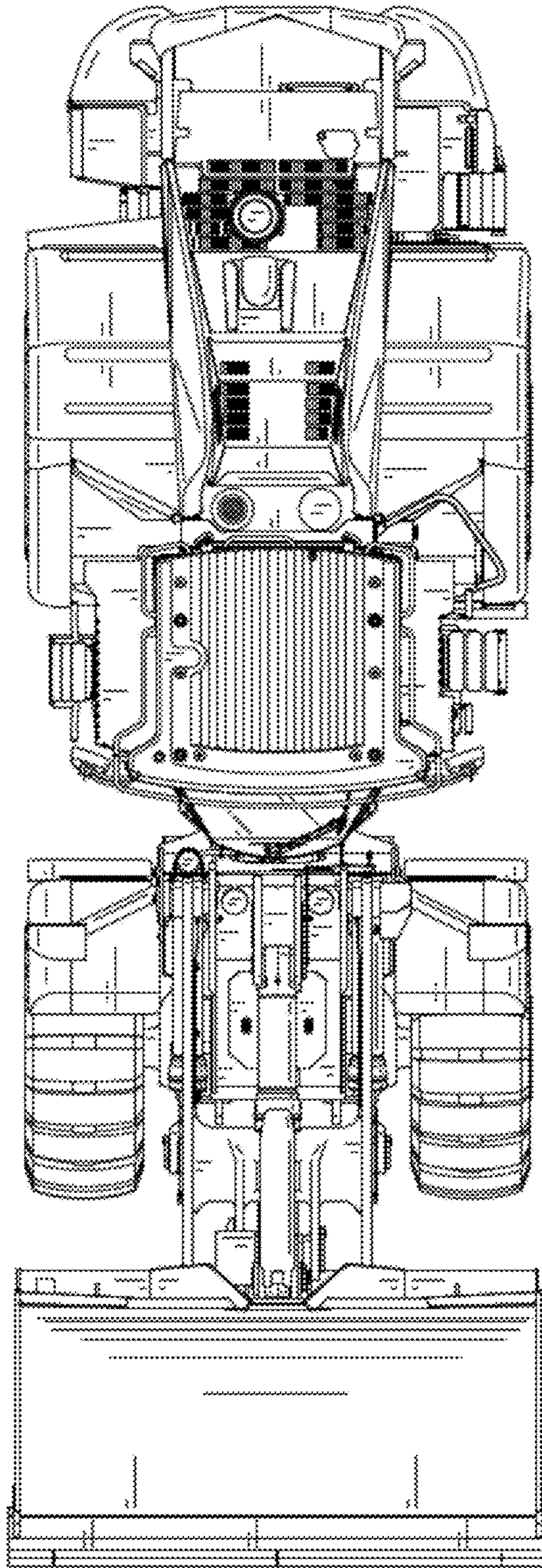


FIG. 7



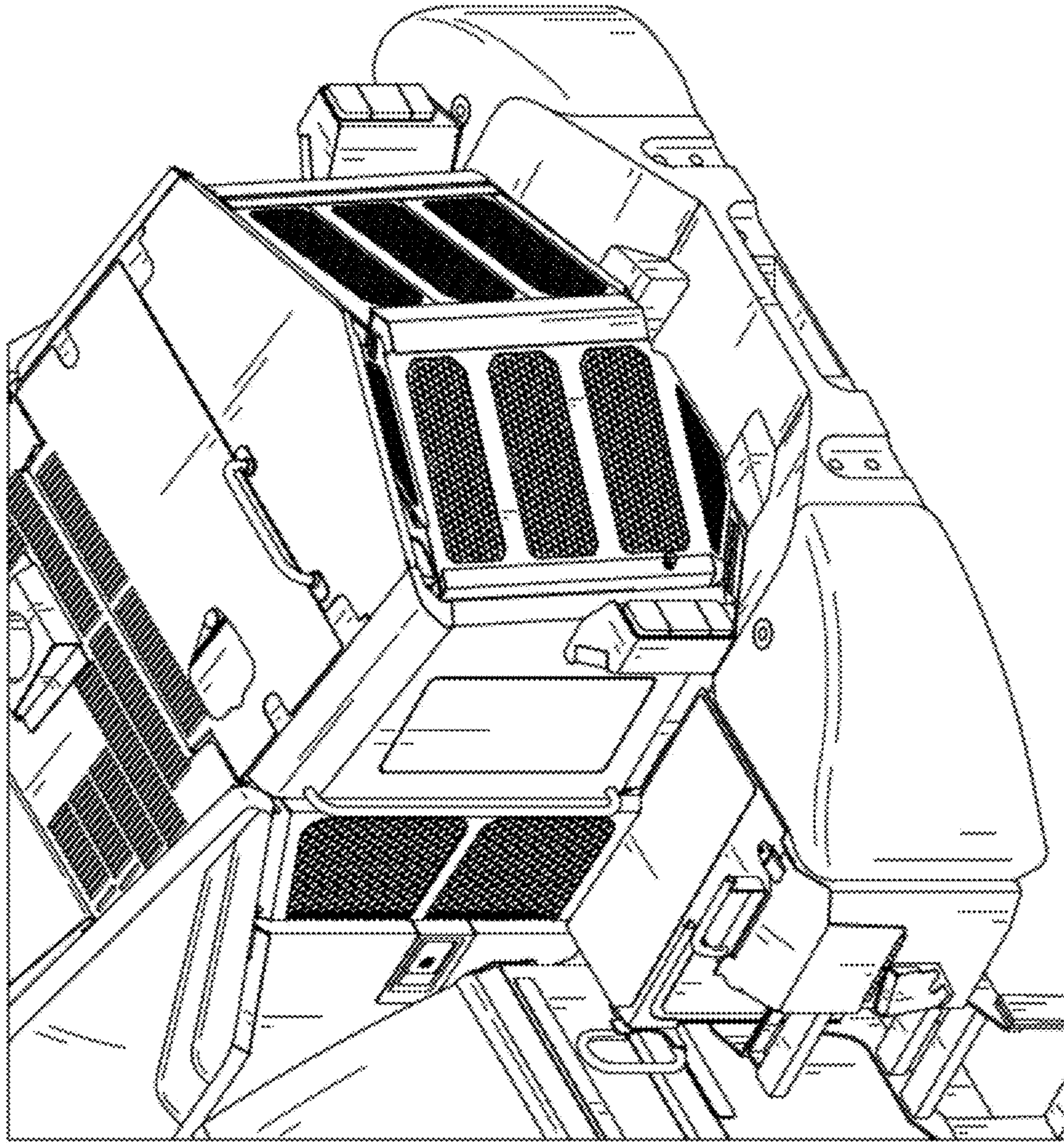


FIG. 8

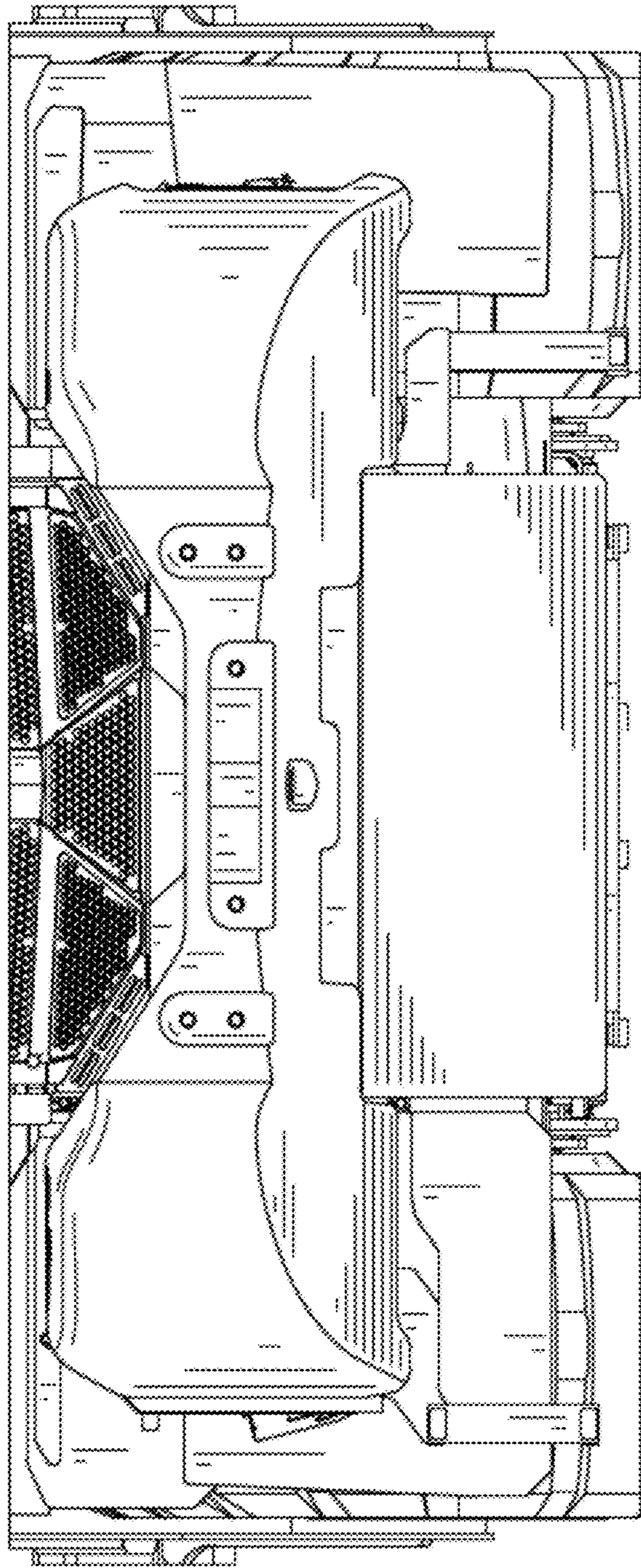


FIG. 9