



US00D915467S

(12) **United States Design Patent**  
**Schrader et al.**

(10) **Patent No.:** **US D915,467 S**

(45) **Date of Patent:** **\*\* Apr. 6, 2021**

(54) **COVER FOR ELECTRIC MOTOR**

(71) Applicant: **Nidec Motor Corporation**, St. Louis, MO (US)

(72) Inventors: **John G. Schrader**, St. Louis, MO (US); **Steven R. Palmer**, Highland, IL (US); **Jeffrey S. Sherman**, Creve Coeur, MO (US)

(73) Assignee: **Nidec Motor Corporation**, St. Louis, MO (US)

(\*\*) Term: **15 Years**

(21) Appl. No.: **29/615,922**

(22) Filed: **Aug. 31, 2017**

(51) **LOC (13) Cl.** ..... **15-01**

(52) **U.S. Cl.**  
USPC ..... **D15/5; D13/122**

(58) **Field of Classification Search**  
USPC ..... D15/1-6; D13/118, 122  
CPC ... F01M 5/00; F16M 1/026; F02P 3/02; F02B 37/013; H02K 5/04; H02K 5/05; H02K 5/08; H02K 5/10  
See application file for complete search history.

(56) **References Cited**

**U.S. PATENT DOCUMENTS**

D213,626 S \* 3/1969 Tomkinson ..... D13/122  
D275,478 S \* 9/1984 Griggs ..... D13/122

5,278,469 A \* 1/1994 Weber ..... H02K 11/33  
310/68 R  
6,541,883 B2 \* 4/2003 Uffelman ..... F04B 17/03  
310/45  
6,831,382 B1 12/2004 Lyle et al.  
D530,278 S 10/2006 Lyle et al.  
10,560,003 B2 \* 2/2020 Schrader ..... H02K 5/10

\* cited by examiner

*Primary Examiner* — Ania Aman

(74) *Attorney, Agent, or Firm* — Hovey Williams LLP

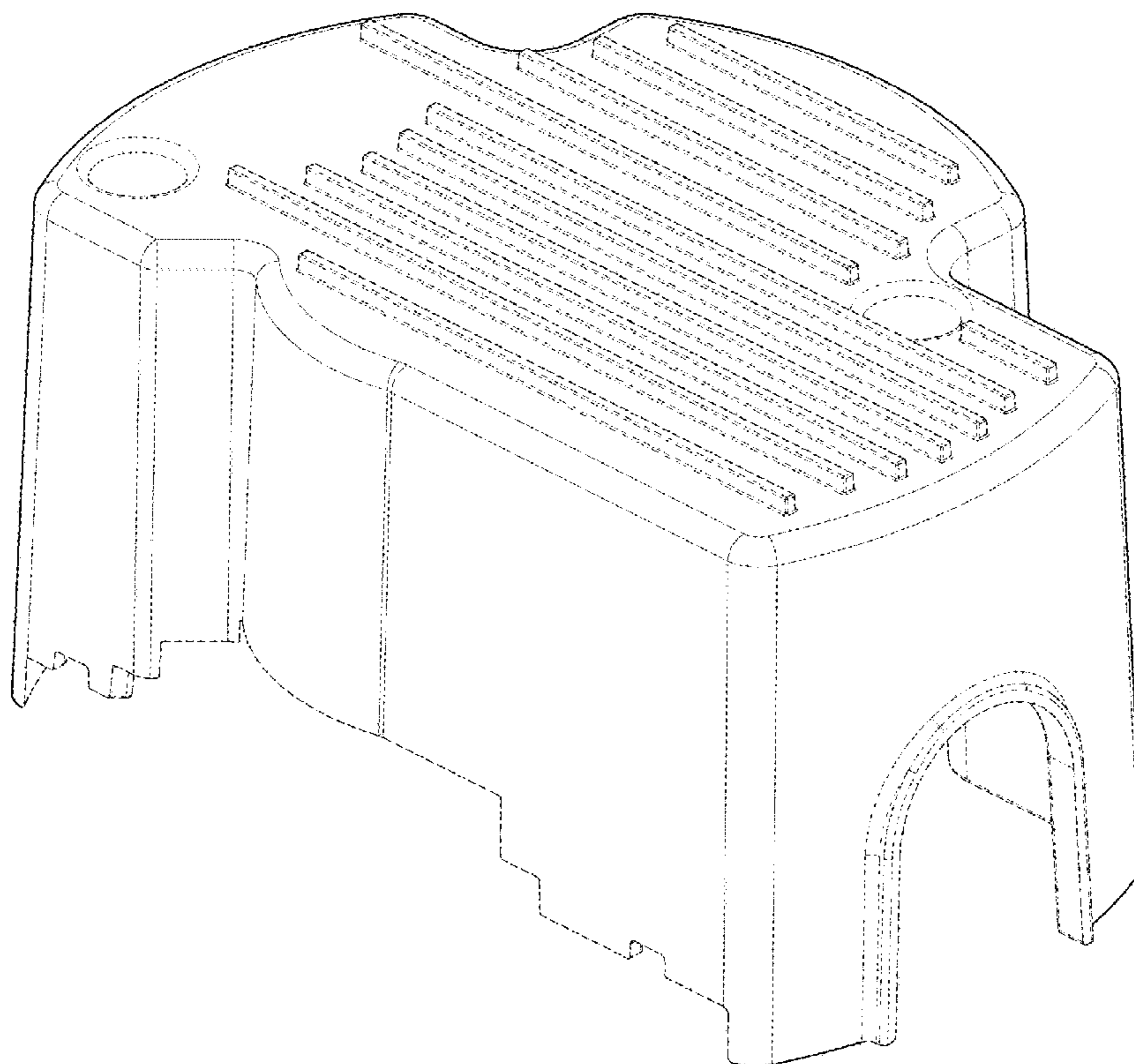
(57) **CLAIM**

The ornamental design for a cover for electric motor, as shown and described.

**DESCRIPTION**

FIG. 1 is a perspective view of a cover for electric motor embodying our design;  
FIG. 2 is an end elevation view of the cover shown in FIG. 1;  
FIG. 3 is a bottom elevation view of the cover shown in FIGS. 1 and 2;  
FIG. 4 is a side elevation view of the cover shown in FIGS. 1-3;  
FIG. 5 is a top elevation view of the cover shown in FIGS. 1-4; and,  
FIG. 6 is a side elevation view of the cover opposite that shown in FIG. 4.  
The broken lines shown in the views depict environmental subject matter only and form no part of the claimed design.

**1 Claim, 6 Drawing Sheets**



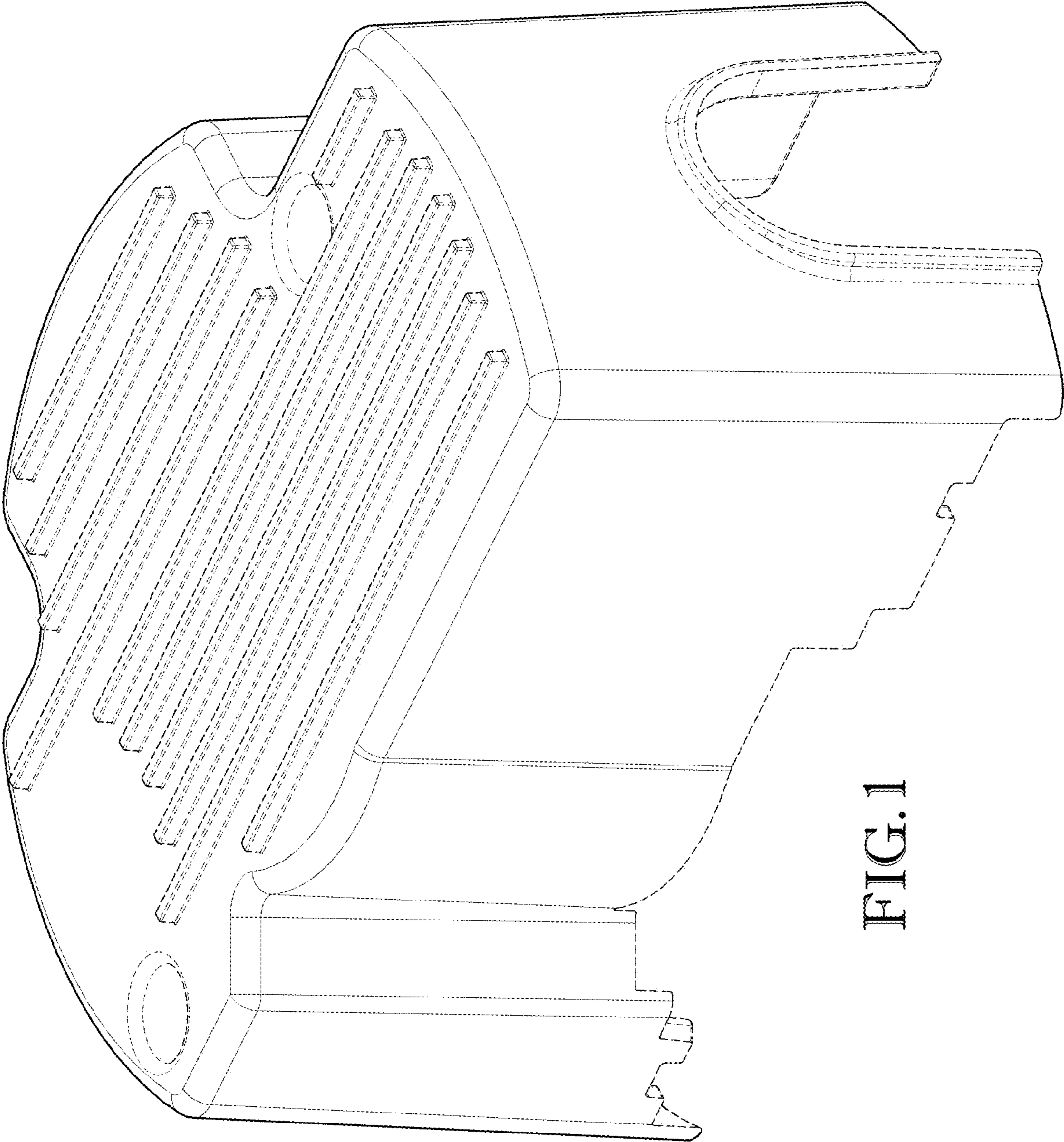
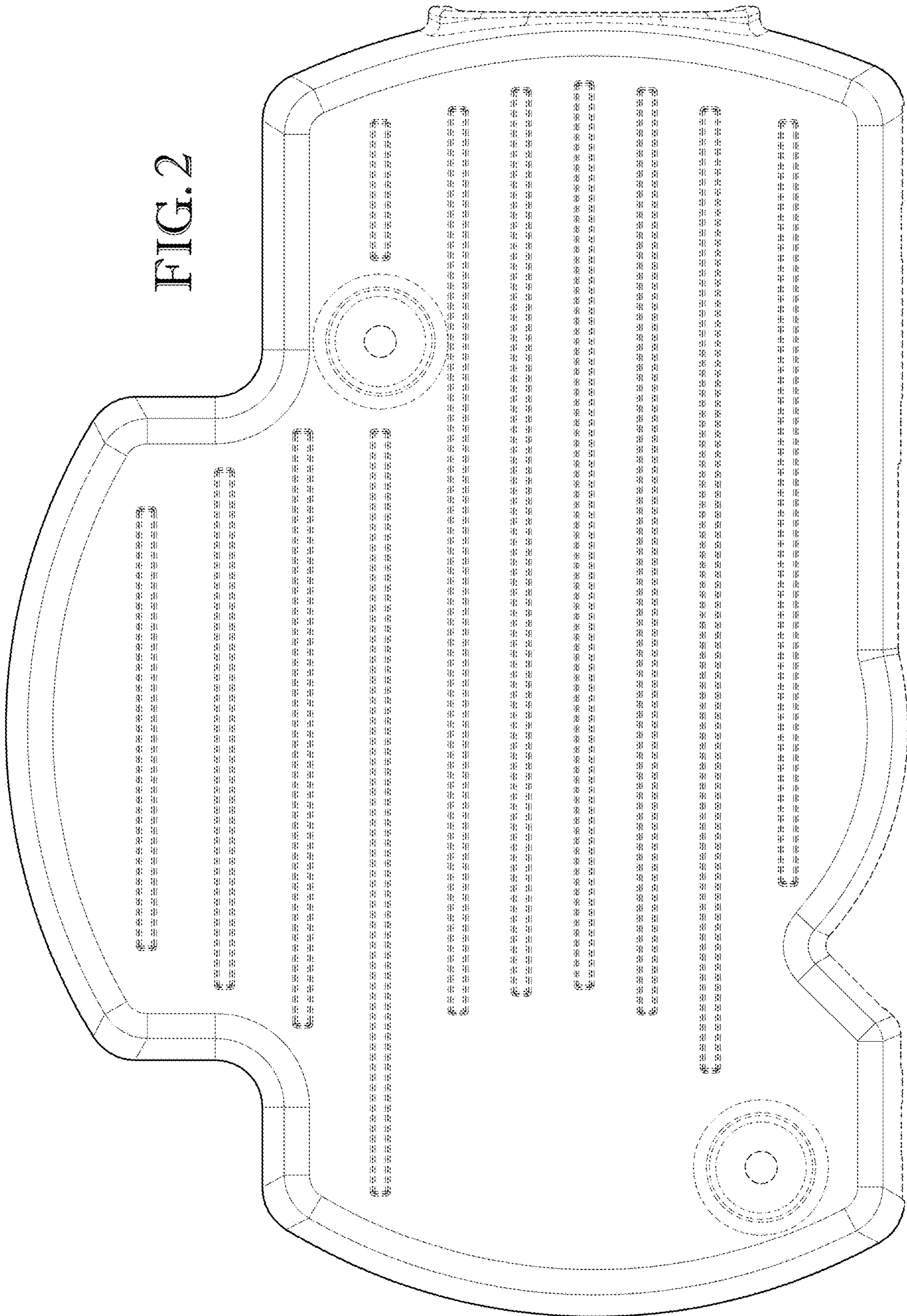


FIG. 1

FIG. 2



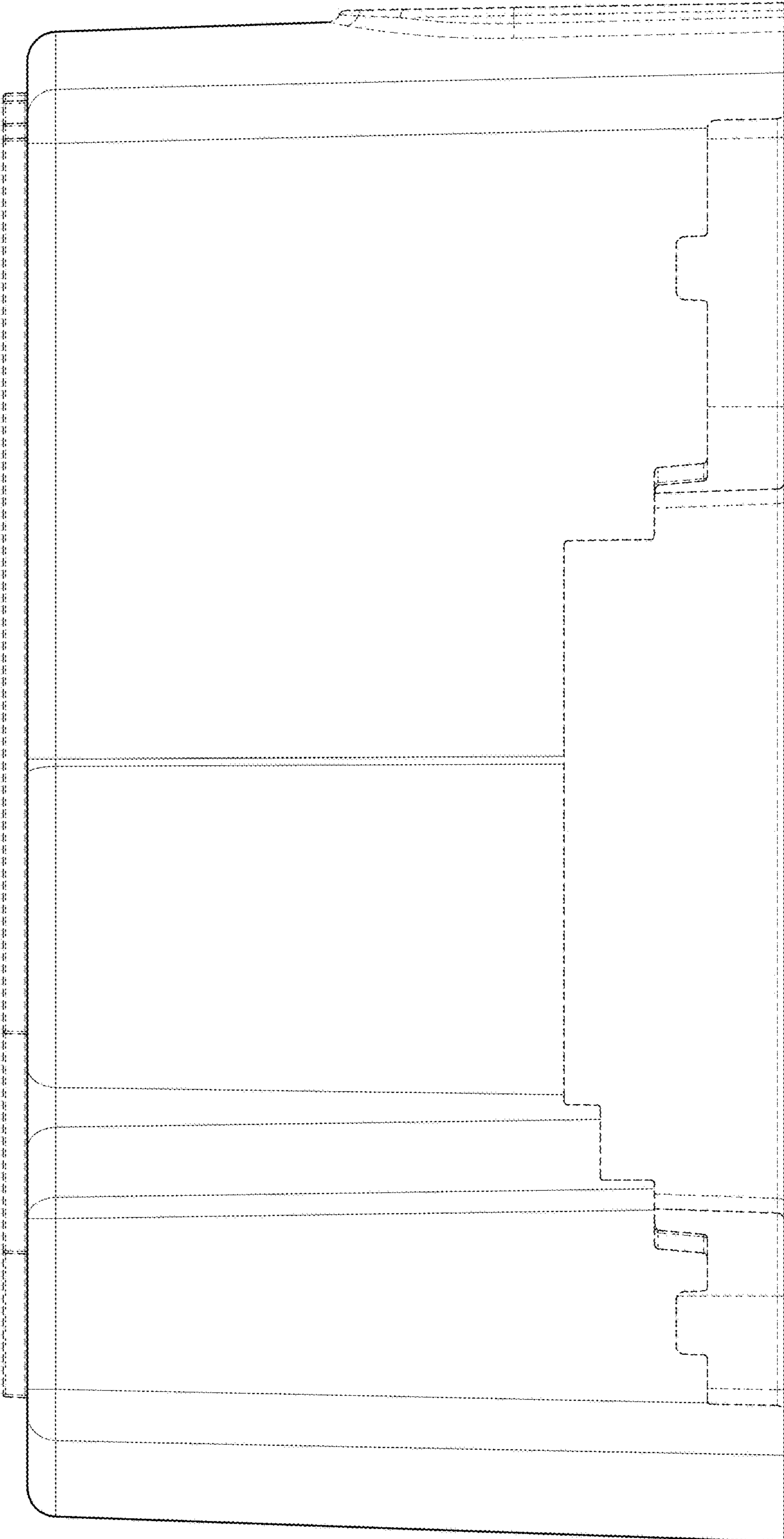


FIG. 3

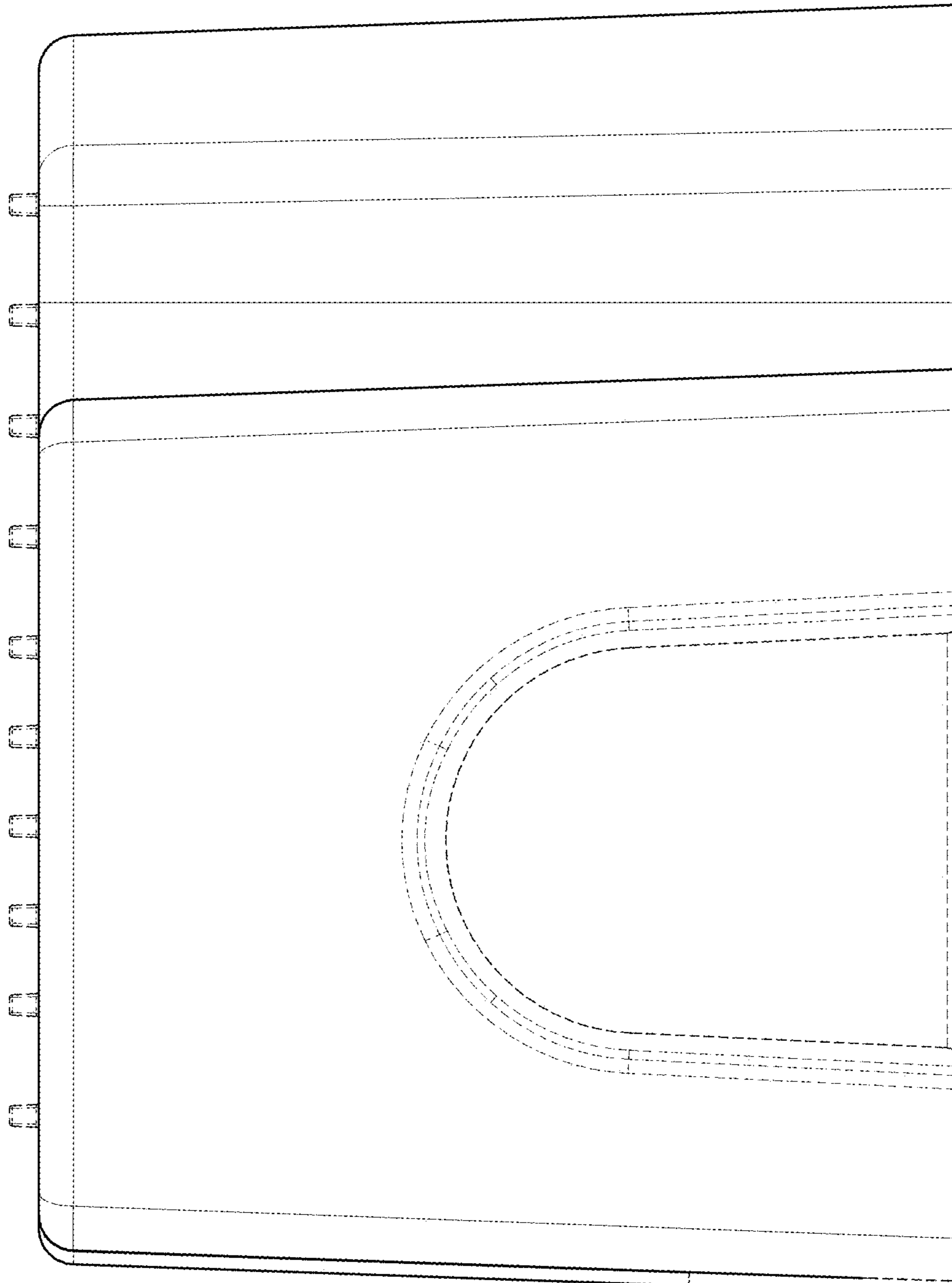


FIG. 4

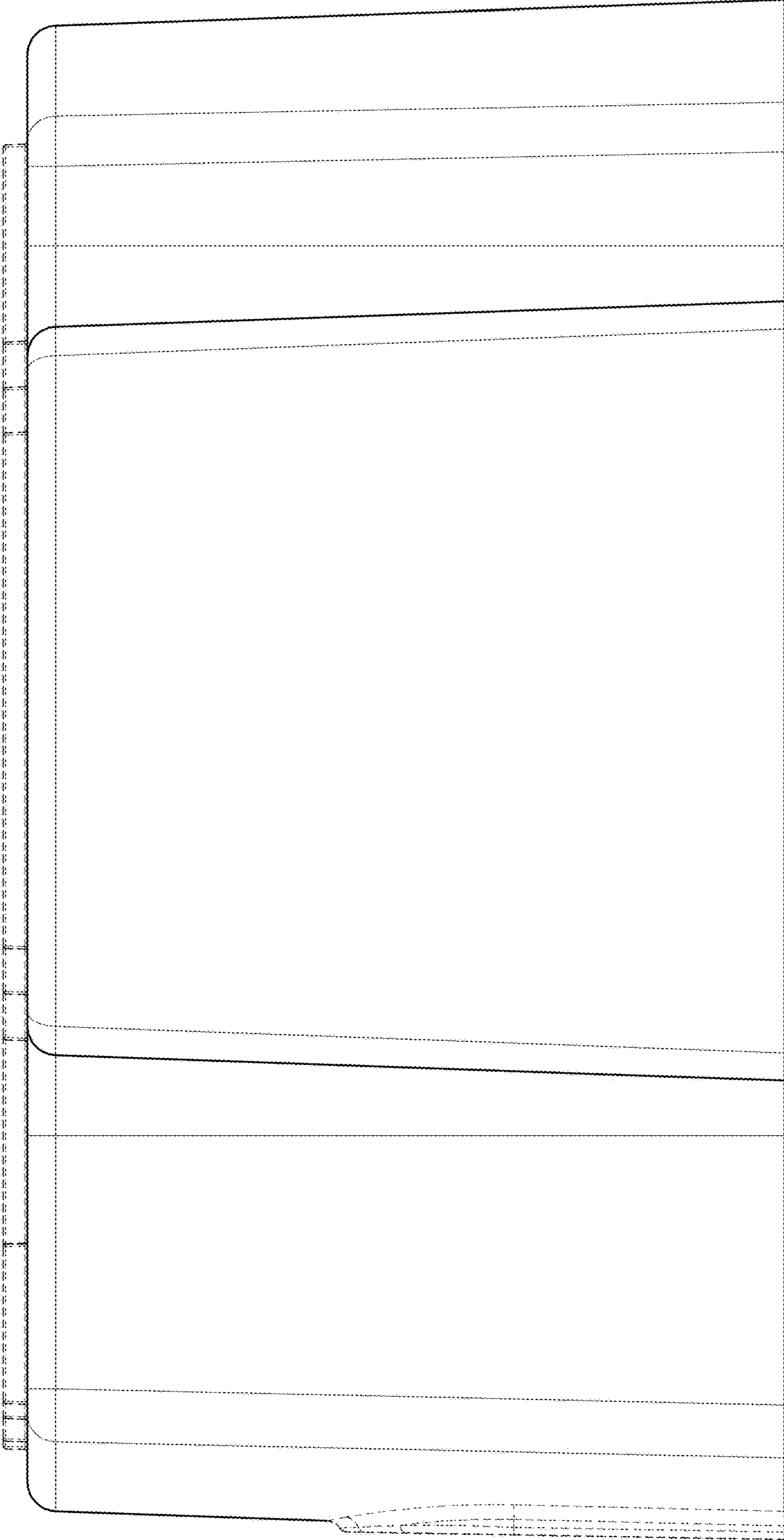


FIG. 5

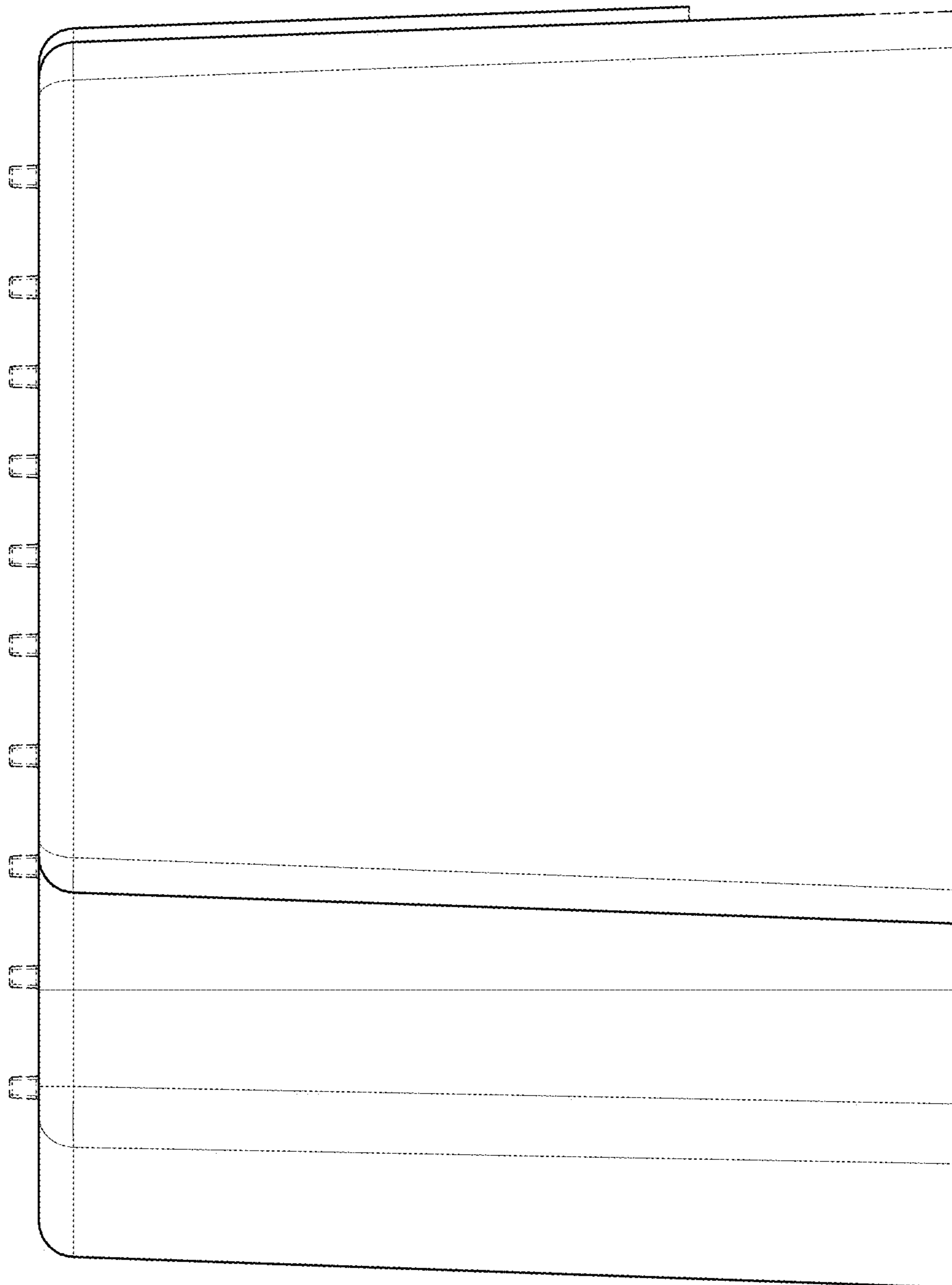


FIG. 6