



US00D915466S

(12) **United States Design Patent** (10) **Patent No.:** **US D915,466 S**
Busse et al. (45) **Date of Patent:** **** Apr. 6, 2021**

(54) **ENGINE** 6,468,117 B1 * 10/2002 Healey B63H 21/213
 440/7
 (71) Applicant: **Torqueedo GmbH**, Gilching (DE) 6,758,705 B1 * 7/2004 Bechtel B63H 20/007
 114/153
 (72) Inventors: **Dominik Busse**, Munich (DE); **Frank Despineux**, Wessling (DE); **Claus Steinberg**, Unterhaching (DE) D543,215 S 5/2007 Namiki et al.
 7,294,029 B1 * 11/2007 Spaulding B63H 20/007
 440/53
 (73) Assignee: **Torqueedo GmbH**, Gilching (DE) 7,510,450 B1 3/2009 Dresher
 D594,034 S * 6/2009 Bernloehr D15/5
 9,160,210 B2 * 10/2015 Perry H02K 7/116
 9,296,455 B2 * 3/2016 Bernloehr B63H 5/125
 9,840,312 B1 12/2017 Clark
 9,914,519 B2 * 3/2018 Nutz B63H 16/20
 10,173,762 B1 1/2019 Gray
 10,450,043 B1 10/2019 Gyrog et al.
 2002/0044500 A1 4/2002 Hansen
 2003/0024456 A1 2/2003 Swetish
 2010/0116967 A1 * 5/2010 Todd B63H 20/10
 248/642

(**) Term: **15 Years**
 (21) Appl. No.: **29/761,421**
 (22) Filed: **Dec. 9, 2020**

Related U.S. Application Data

(62) Division of application No. 29/689,914, filed on May 2, 2019.

(30) **Foreign Application Priority Data**

Nov. 2, 2018 (EM) 005816022
 (51) **LOC (13) Cl.** **15-01**
 (52) **U.S. Cl.**
 USPC **D15/4**
 (58) **Field of Classification Search**
 USPC D15/4, 5, 1, 2, 3
 CPC B63H 21/213; B63H 21/00; B63H 21/22;
 B63H 20/007; B63H 20/00; B63H 20/10;
 B63H 20/12; B63H 25/42
 See application file for complete search history.

(56) **References Cited**

U.S. PATENT DOCUMENTS

3,948,472 A 4/1976 Metcalf
 5,892,338 A * 4/1999 Moore B63H 20/007
 318/16
 6,054,831 A 4/2000 Moore et al.
 6,325,685 B1 12/2001 Knight et al.

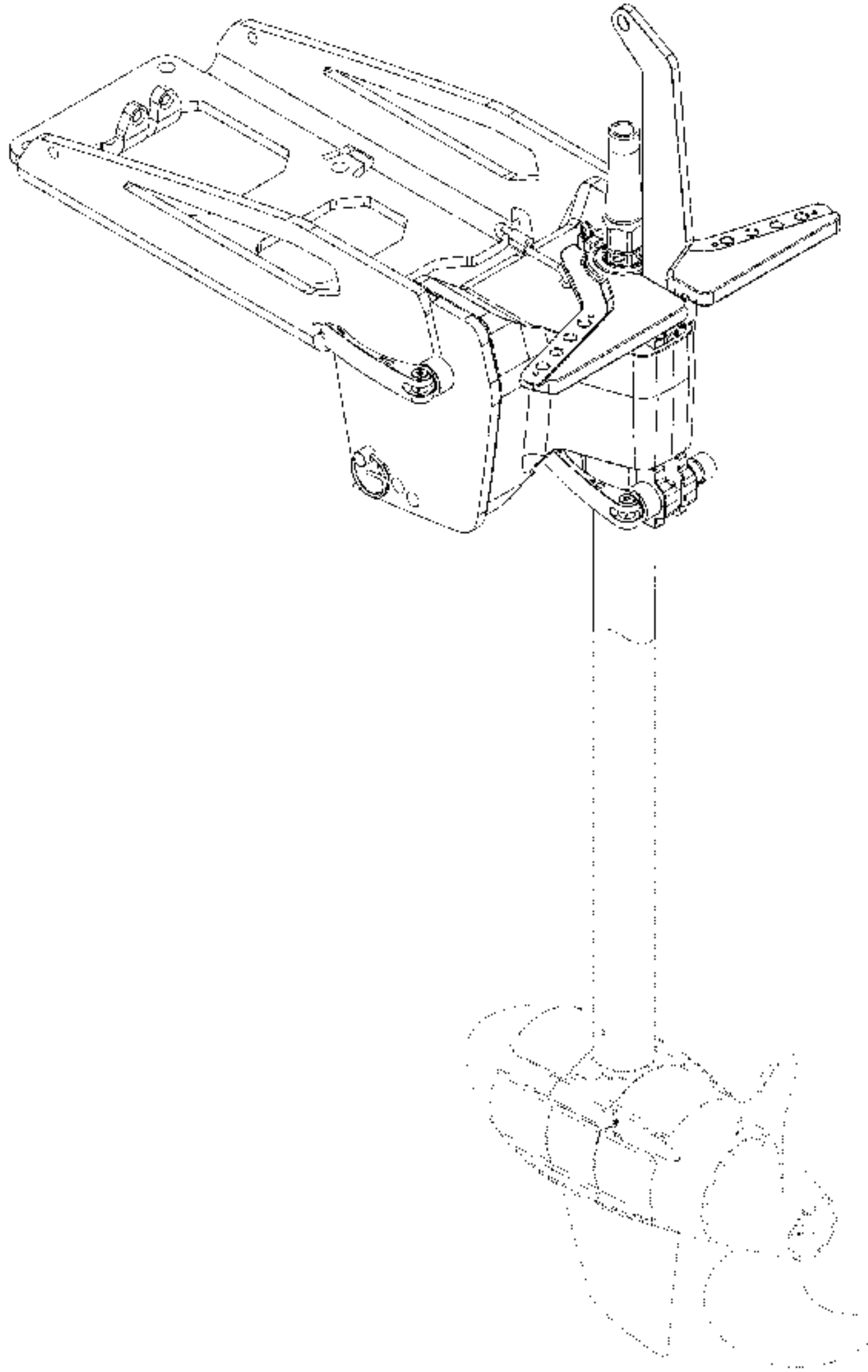
2015/0298782 A1 10/2015 Bernloehr et al.
 (Continued)
Primary Examiner — Ania Aman
 (74) *Attorney, Agent, or Firm* — Crowell & Moring LLP

(57) **CLAIM**
 The ornamental design for an engine, as shown and described.

DESCRIPTION

FIG. 1 is a right side view of an engine according to the design;
 FIG. 2 is a left side view thereof;
 FIG. 3 is a top view thereof;
 FIG. 4 is a bottom view thereof;
 FIG. 5 is a right, rear perspective view thereof; and,
 FIG. 6 is a right, front perspective view thereof.
 The broken lines in the drawings illustrate environmental subject matter only and form no part of the claimed design.
 The dash-dot-dash line defines the bounds of the claimed design and forms no part thereof.

1 Claim, 5 Drawing Sheets



(56)

References Cited

U.S. PATENT DOCUMENTS

2016/0023738 A1 1/2016 Monahan
2018/0057131 A1 3/2018 Steward et al.
2020/0130798 A1 4/2020 Despineux et al.

* cited by examiner

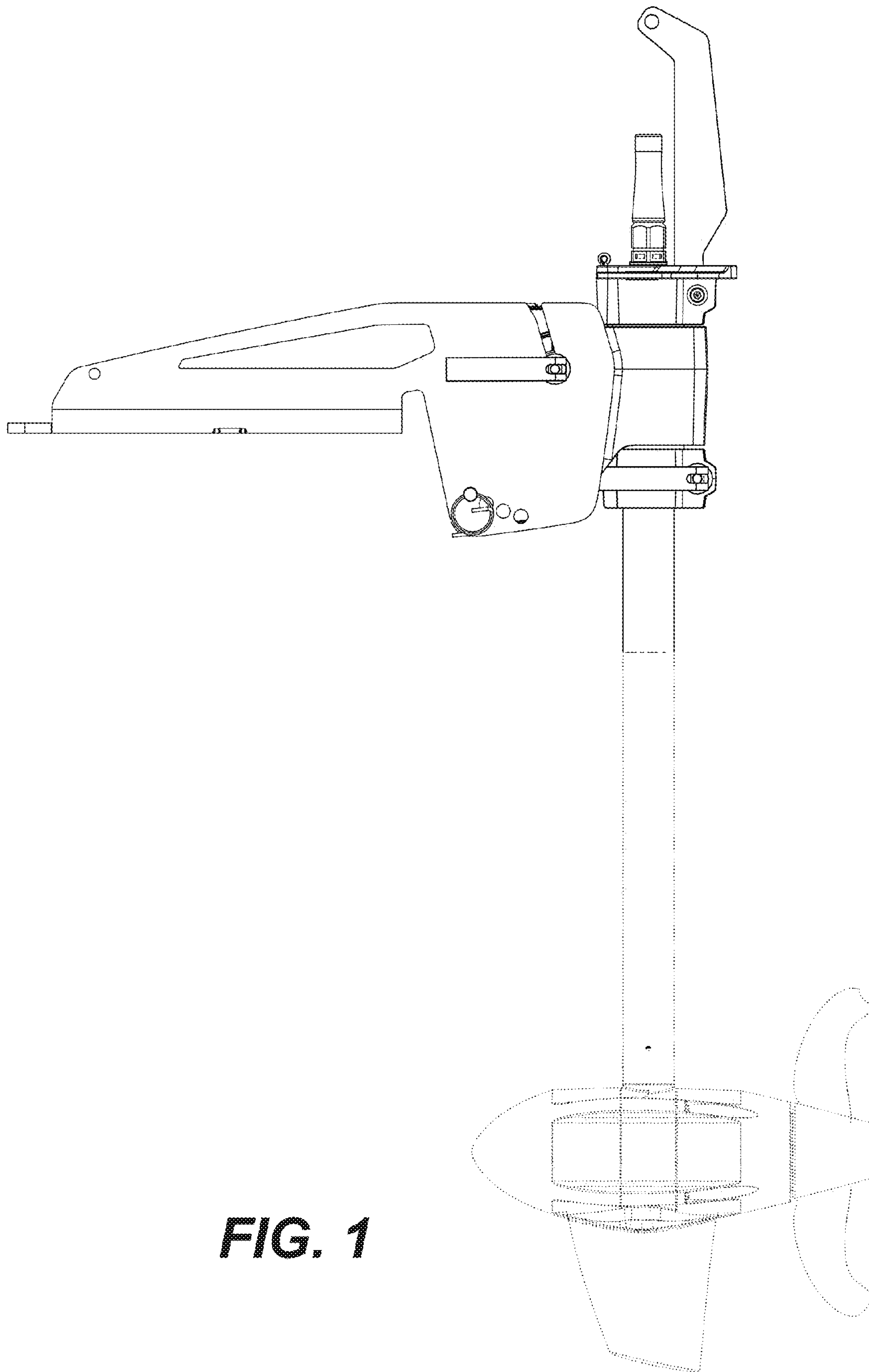


FIG. 1

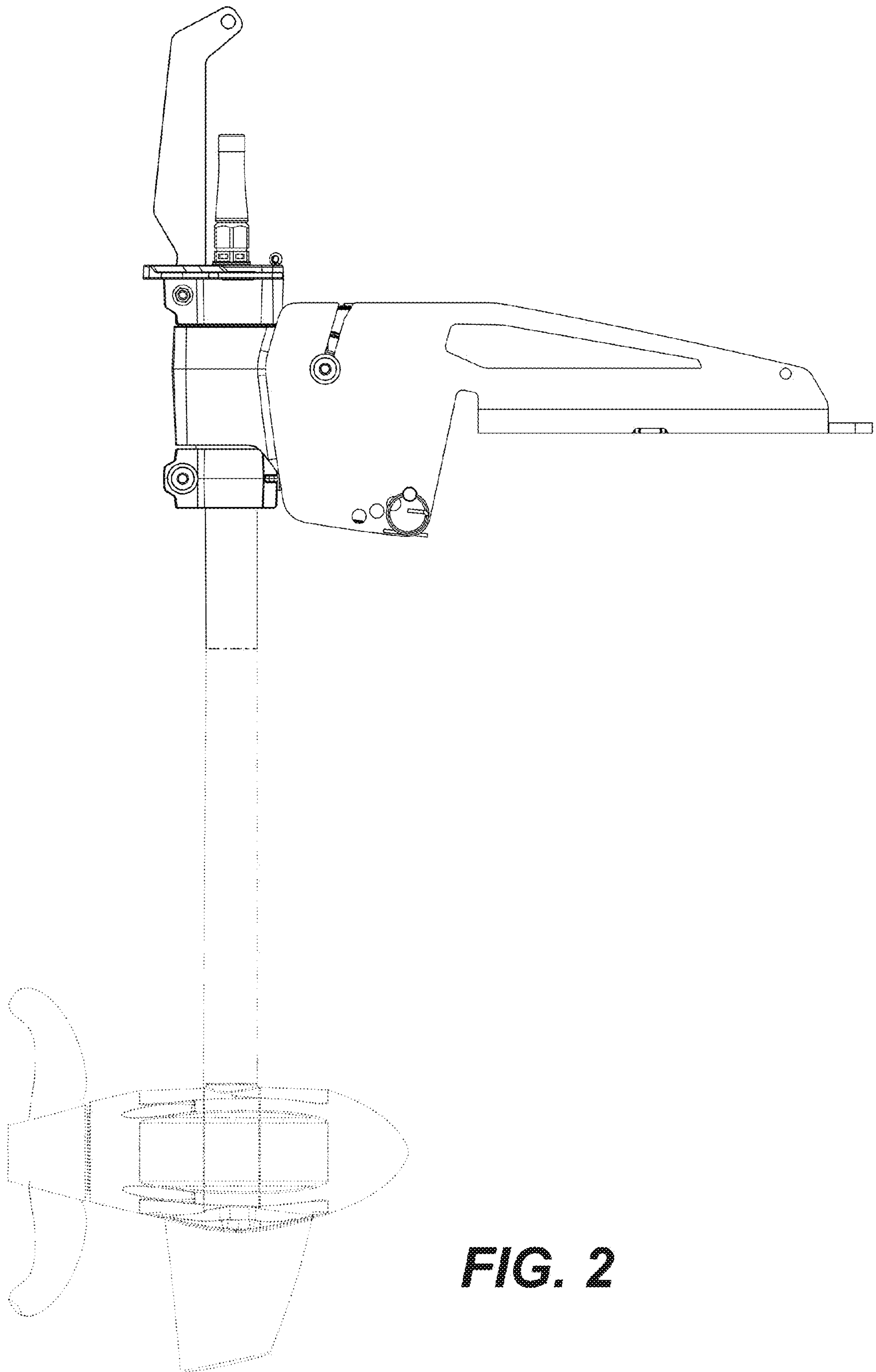


FIG. 2

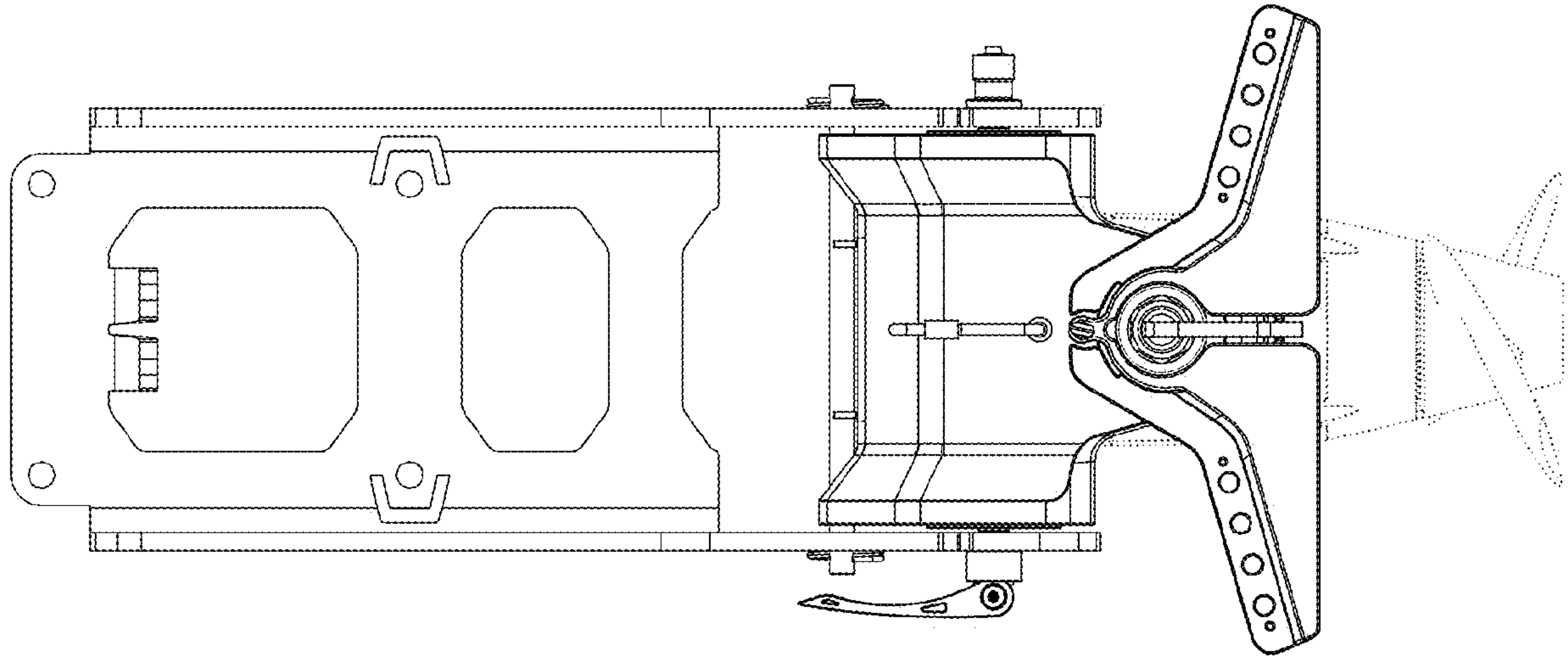


FIG. 3

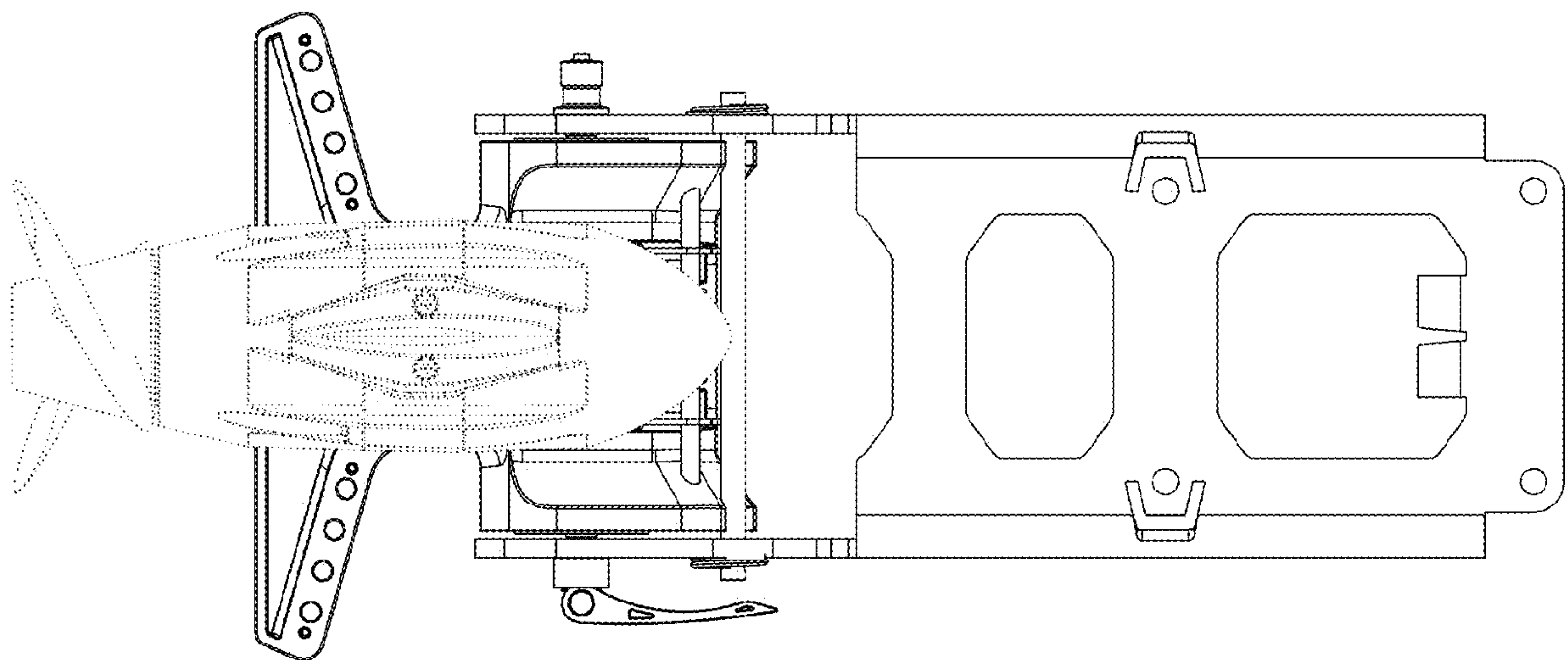


FIG. 4

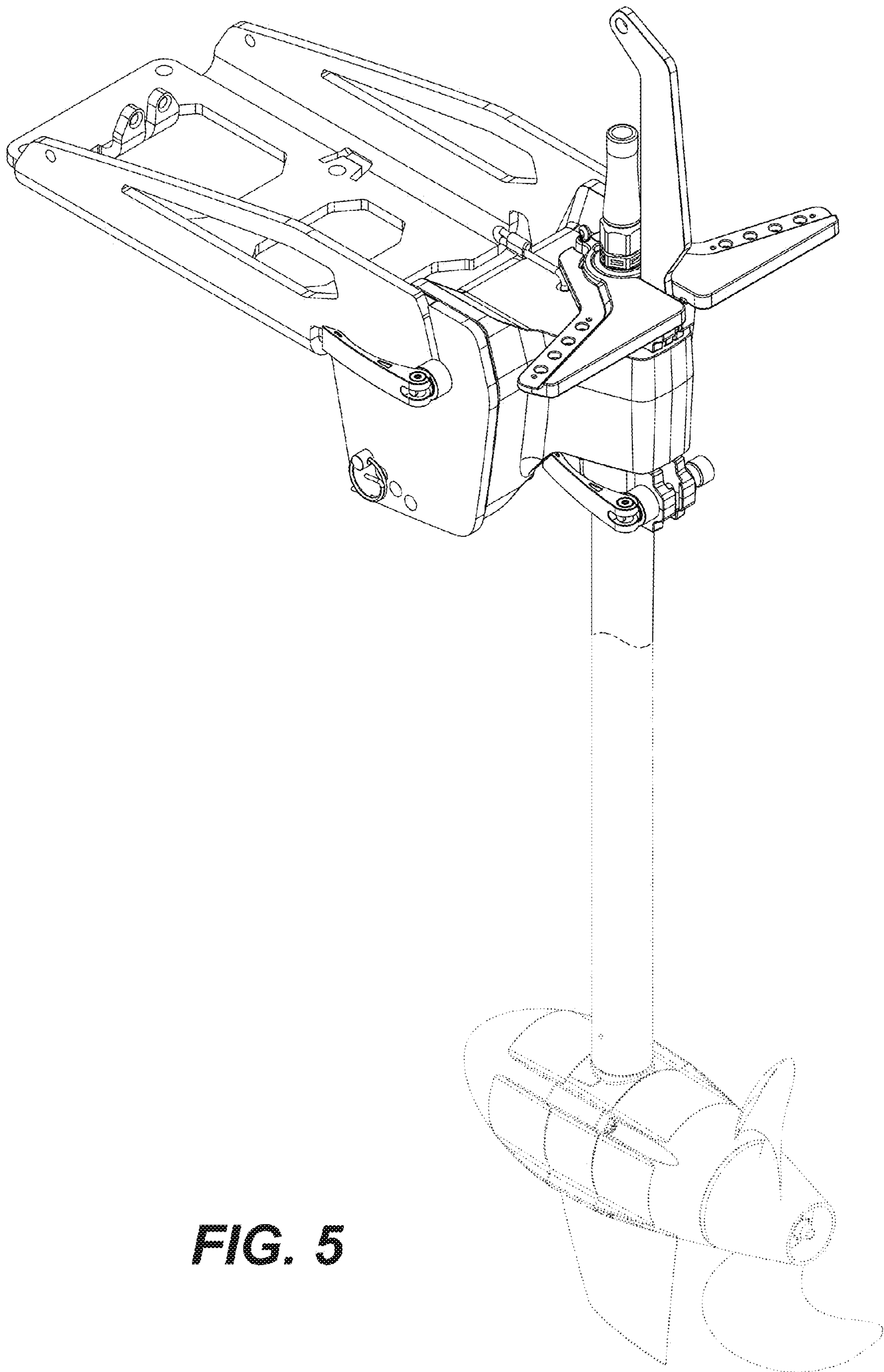


FIG. 5

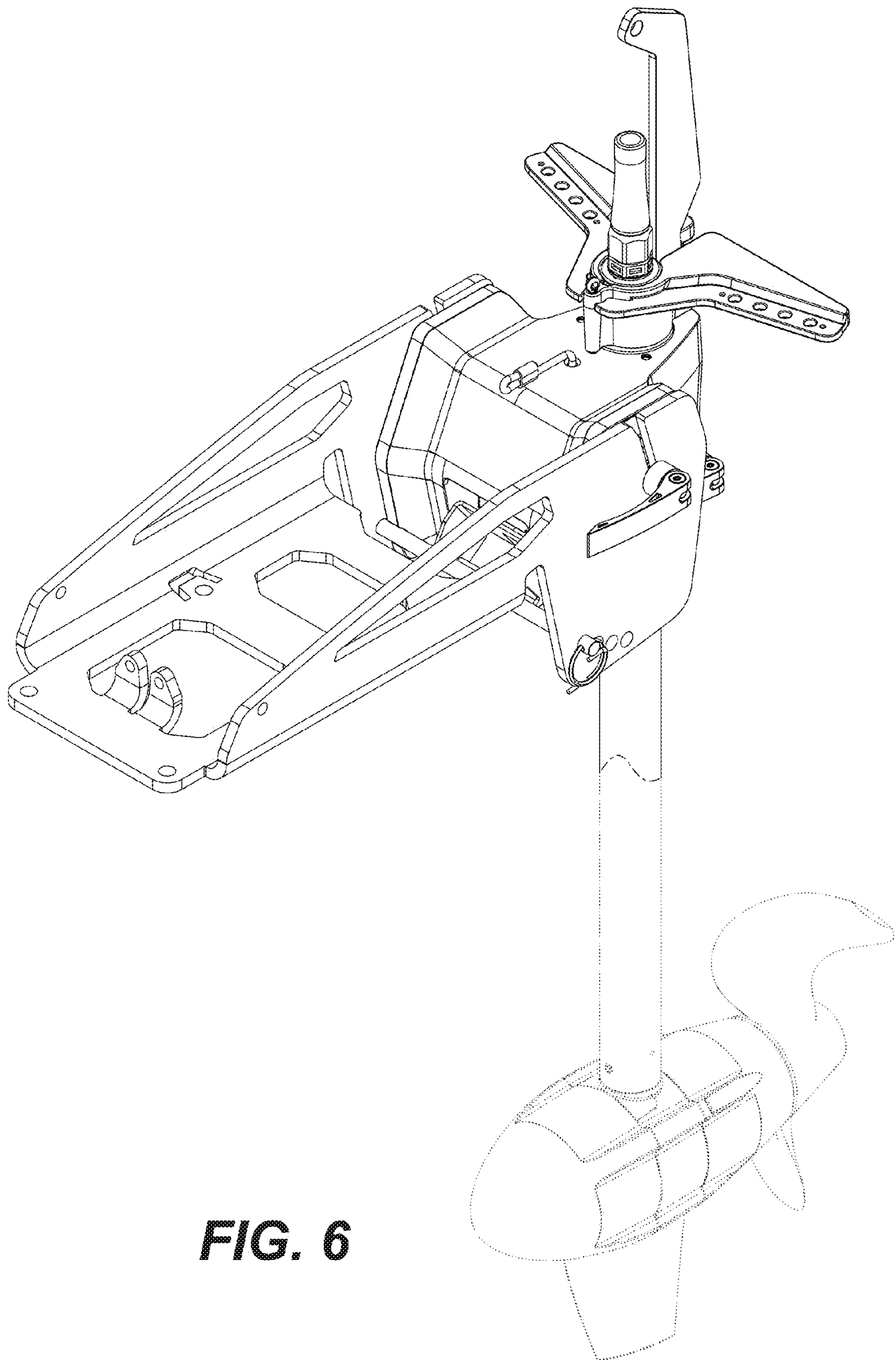


FIG. 6