



US00D915451S

(12) **United States Design Patent** (10) **Patent No.:** **US D915,451 S**
Baber et al. (45) **Date of Patent:** **** Apr. 6, 2021**

(54) **DISPLAY SCREEN WITH ANIMATED GRAPHICAL USER INTERFACE**

D605,200 S 12/2009 Sakai
D611,486 S 3/2010 Hirsch et al.
D612,391 S 3/2010 Fletcher et al.

(Continued)

(71) Applicant: **Microsoft Corporation**, Redmond, WA (US)

(72) Inventors: **Joshua Baber**, Seattle, WA (US);
Anthony Neil Dart, Sammamish, WA (US);
March Rogers, Bellevue, WA (US)

(73) Assignee: **Microsoft Corporation**, Redmond, WA (US)

(**) Term: **15 Years**

(21) Appl. No.: **29/661,077**

(22) Filed: **Aug. 24, 2018**

(51) **LOC (13) Cl.** **14-04**

(52) **U.S. Cl.**
USPC **D14/488**

(58) **Field of Classification Search**
USPC D14/485–495
CPC G06F 3/048–04897
See application file for complete search history.

(56) **References Cited**

U.S. PATENT DOCUMENTS

D549,730 S *	8/2007	O'Donnell	D14/492
D555,663 S *	11/2007	Nagata	D14/488
D559,855 S *	1/2008	Sato	D14/486
D568,892 S	5/2008	Stabb et al.		
D594,021 S	6/2009	Ball et al.		
D594,026 S *	6/2009	Ball	D14/488
D598,466 S *	8/2009	Hirsch	D14/485
D598,928 S *	8/2009	Hirsch	D14/485
D599,370 S	9/2009	Murchie et al.		
D603,421 S *	11/2009	Ebeling	D14/489
D604,325 S *	11/2009	Ebeling	D14/489

OTHER PUBLICATIONS

“Animated Shuffling of Child Components on Change”, Retrieved From: <https://reactjsexample.com/animated-shuffling-of-child-components-on-change/>, Mar. 24, 2018, 4 Pages.

(Continued)

Primary Examiner — Andrew T Nemeth

(74) *Attorney, Agent, or Firm* — Banner & Witcoff, Ltd.

(57) **CLAIM**

The ornamental design for a display screen with animated graphical user interface, as shown and described.

DESCRIPTION

FIG. 1 is the first image in a sequence for a display screen with animated graphical user interface showing our new design;

FIG. 2 is the second image thereof;

FIG. 3 is the third image thereof;

FIG. 4 is the fourth image thereof;

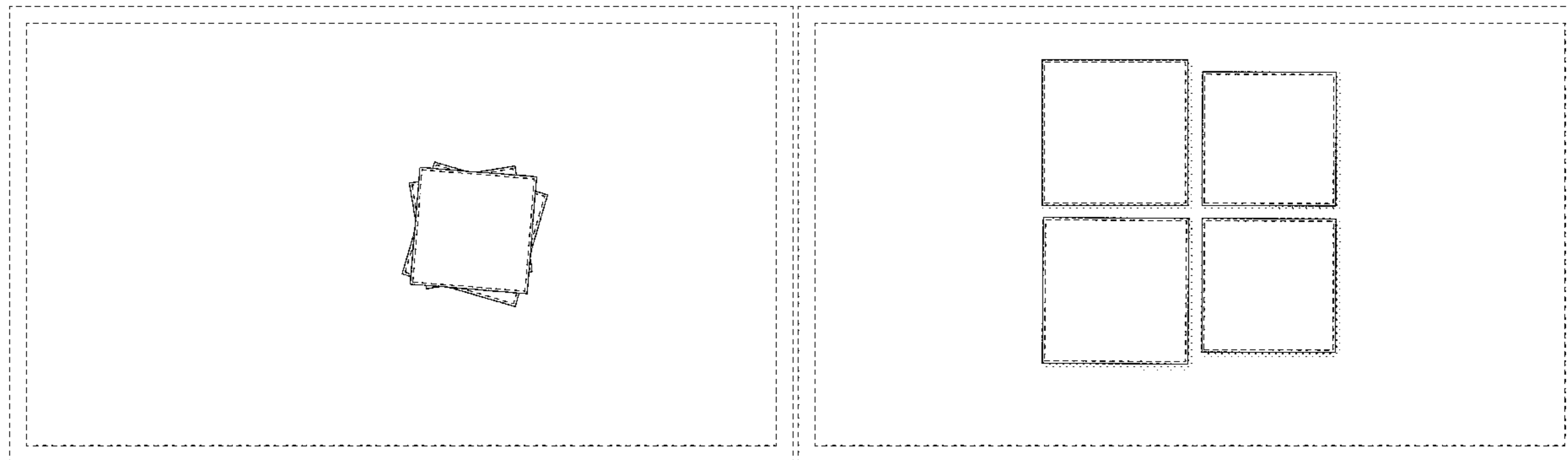
FIG. 5 is the fifth image thereof;

FIG. 6 is the sixth image thereof; and,

FIG. 7 is the seventh image thereof.

The claim is directed towards two embodiments. The first embodiment sequentially transitions between the images shown in FIGS. 1-7 and the second embodiment sequentially transitions between in the reverse order, between the images shown FIGS. 7-1. The process or period in which one image transitions to another forms no part of the claimed design. The difference in shading indicates a contrast of appearance. The broken-line showing of the display screen and the remainder of the user interface illustrates portions of the graphical user interface and forms no part of the claimed design.

1 Claim, 7 Drawing Sheets



(56)

References Cited

U.S. PATENT DOCUMENTS

D615,989 S * 5/2010 Chaudhri D14/488
 D619,145 S * 7/2010 Ebeling D14/489
 D624,558 S * 9/2010 Barcheck D14/493
 D640,266 S 6/2011 Furuya et al.
 D645,876 S 9/2011 Cavanaugh et al.
 D659,707 S * 5/2012 David D14/487
 8,209,628 B1 6/2012 Davidson
 D663,311 S * 7/2012 David D14/487
 D663,312 S * 7/2012 David D14/487
 D663,313 S * 7/2012 David D14/487
 D663,314 S * 7/2012 David D14/487
 D665,395 S * 8/2012 Lee D14/485
 D670,715 S 11/2012 Majeed et al.
 8,429,530 B2 * 4/2013 Neuman G06F 3/04815
 715/716
 D682,262 S * 5/2013 Akana D14/341
 D687,446 S * 8/2013 Arnold D14/485
 D695,776 S 12/2013 Edwards et al.
 D699,752 S 2/2014 Edwards et al.
 D700,209 S * 2/2014 Tanghe D14/492
 D701,503 S 3/2014 Akana et al.
 8,698,762 B2 * 4/2014 Wagner G06F 3/04817
 345/173
 D710,879 S 8/2014 Elston et al.
 D712,432 S * 9/2014 Chaudhri D14/493
 D715,831 S * 10/2014 Kim D14/488
 D726,759 S * 4/2015 Brinda D14/488
 D737,831 S 9/2015 Lee
 D738,903 S * 9/2015 Lee D14/485
 D743,434 S * 11/2015 Chaudhri D14/488
 D746,834 S 1/2016 Gray et al.
 D752,645 S * 3/2016 Lee D14/494
 D754,719 S * 4/2016 Zha D14/488
 D759,666 S 6/2016 Kuhn et al.
 D760,726 S * 7/2016 Wang D14/485

D765,135 S * 8/2016 Steg D14/488
 D765,665 S * 9/2016 Tamura D14/485
 D771,118 S 11/2016 Yao et al.
 D774,051 S * 12/2016 Hart D14/485
 D777,185 S * 1/2017 Kwak D14/486
 D783,670 S 4/2017 Gomez et al.
 D802,606 S * 11/2017 Bauducco D14/485
 D803,869 S * 11/2017 Kuhn D14/488
 D830,379 S * 10/2018 Li D14/485
 D830,390 S 10/2018 Kie et al.
 D832,281 S 10/2018 Kagatsume et al.
 D842,330 S 3/2019 Yao et al.
 D846,578 S 4/2019 Keslin et al.
 D857,739 S * 8/2019 Alonso Ruiz D14/488
 D875,131 S * 2/2020 Lee D14/488
 D895,664 S * 9/2020 Baber D14/488
 2009/0183107 A1 7/2009 Matthews et al.
 2010/0099456 A1 4/2010 Kim
 2015/0200985 A1 7/2015 Feldman et al.
 2016/0253086 A1 9/2016 Jiang et al.
 2016/0274733 A1 9/2016 Hasegawa et al.
 2017/0324841 A1 11/2017 Clement et al.
 2018/0336415 A1 11/2018 Anorga et al.
 2020/0053283 A1 2/2020 Li et al.

OTHER PUBLICATIONS

“Notice of Allowance Issued in U.S. Appl. No. 29/661,071”, dated May 13, 2020, 10 Pages.
 Hutchinson, Chris, “Animated Card Stacks”, Retrieved From: <https://www.w3tweaks.com/hand-picked-css-card-collections.html>, dated May 24, 2014, 3 Pages.
 Marcelino, Bruno, “Gestures Glamour: How to Set Up Swipeable Stacked Cards”, Retrieved From: https://www.outsystems.com/blog/posts/gestures_glamour_swipeable_stacked_cards/, Mar. 9, 2018, 5 Pages.

* cited by examiner

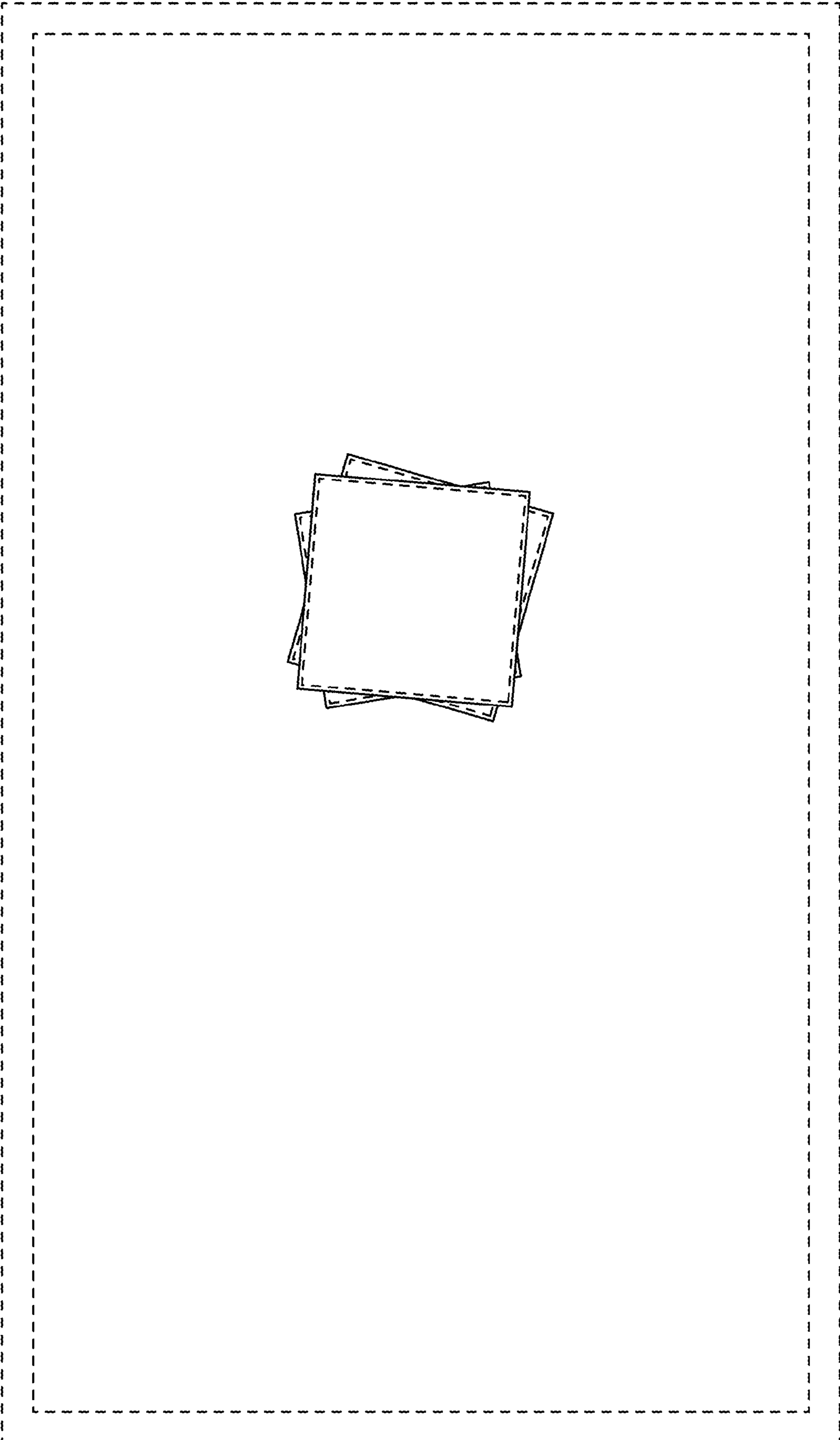


FIG. 1

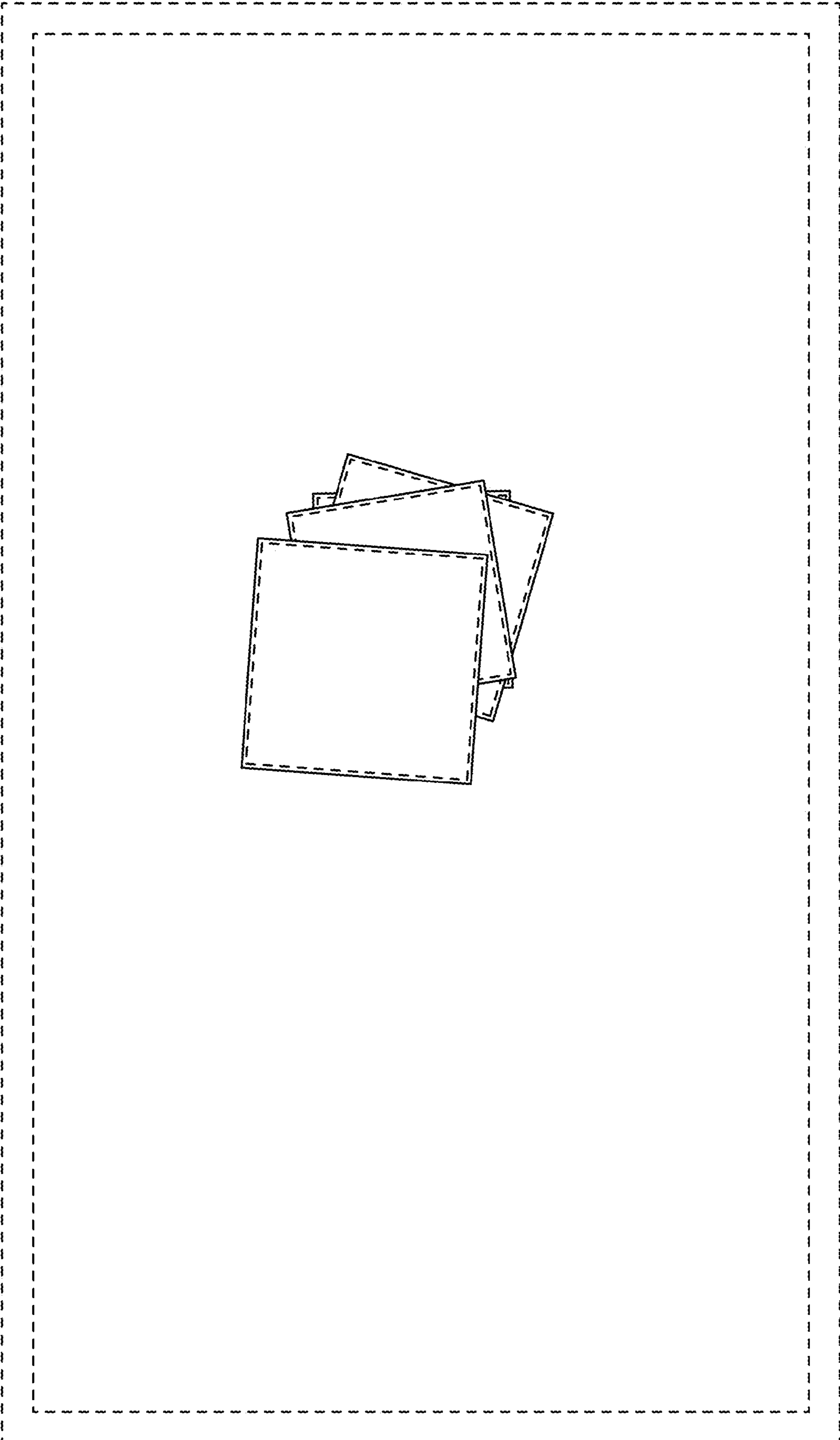


FIG. 2

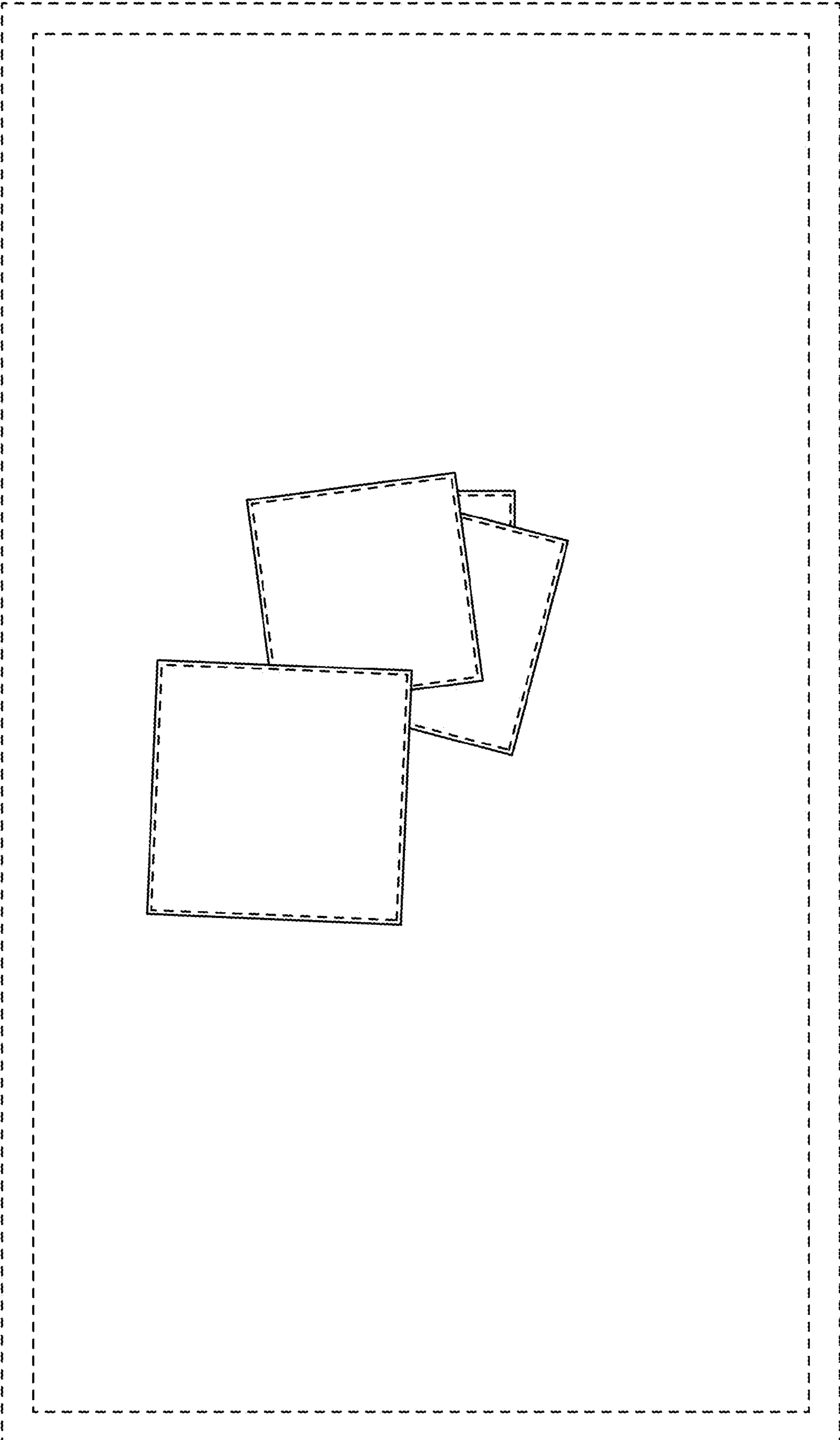


FIG. 3

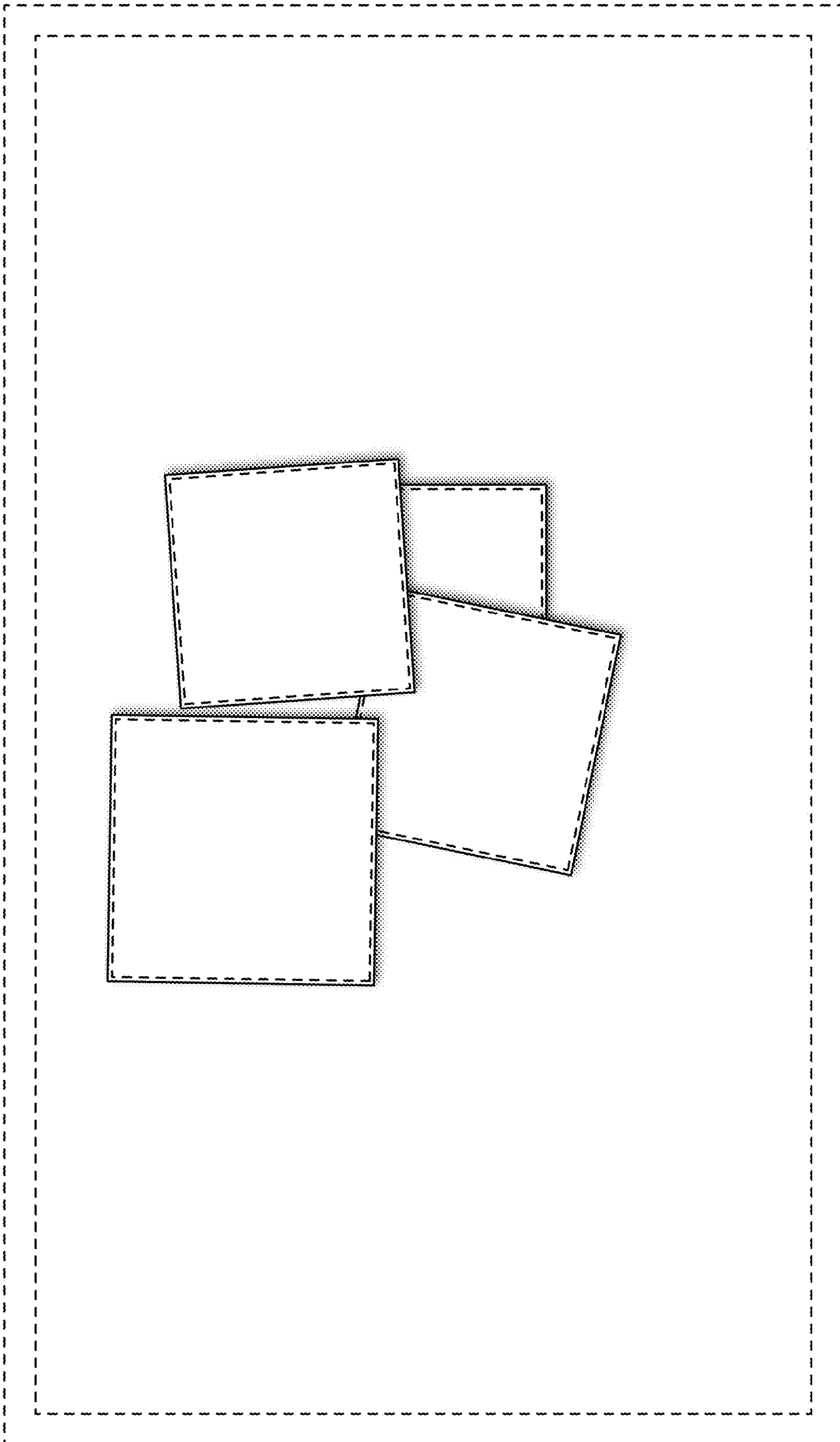


FIG. 4

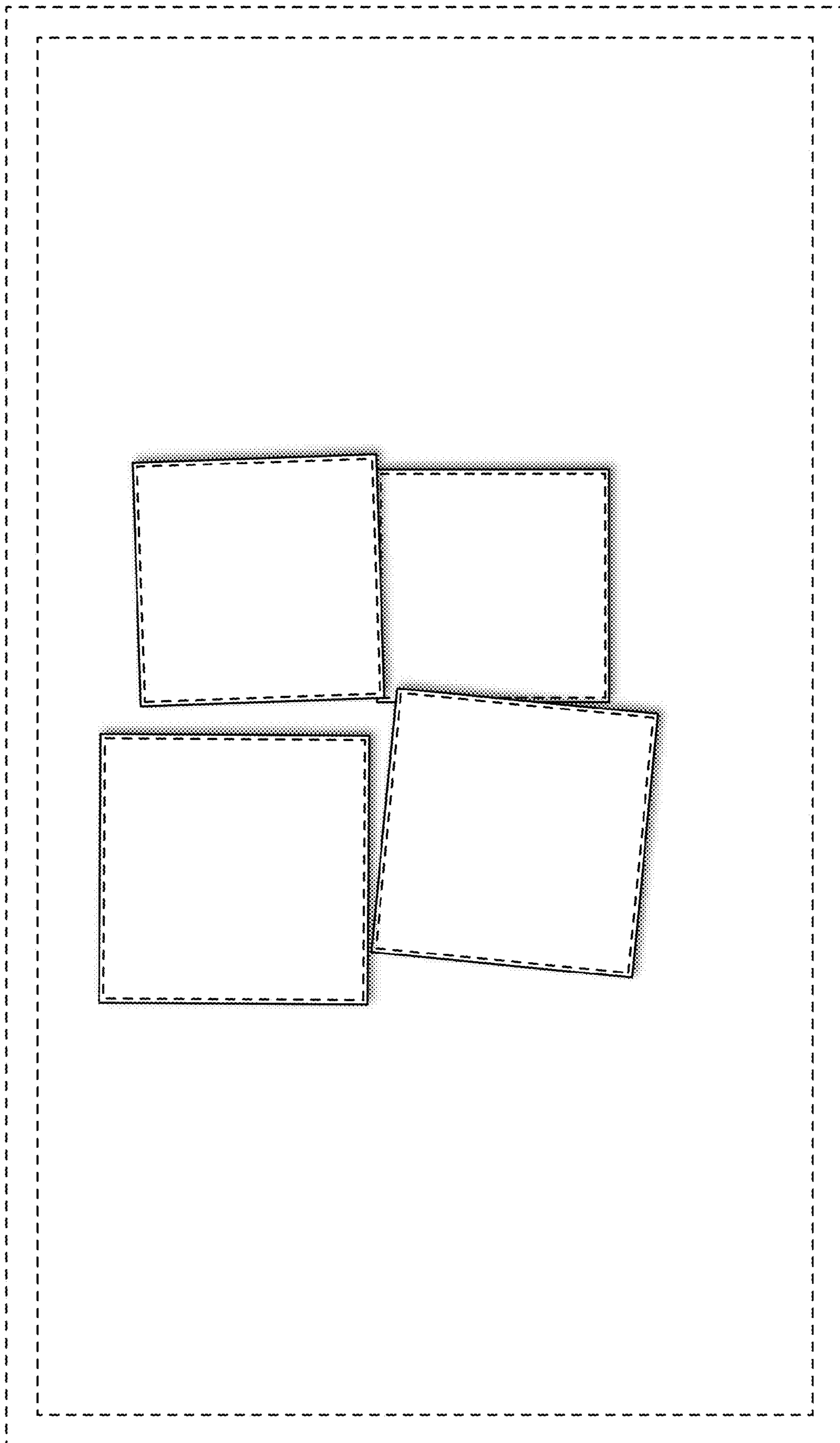


FIG. 5

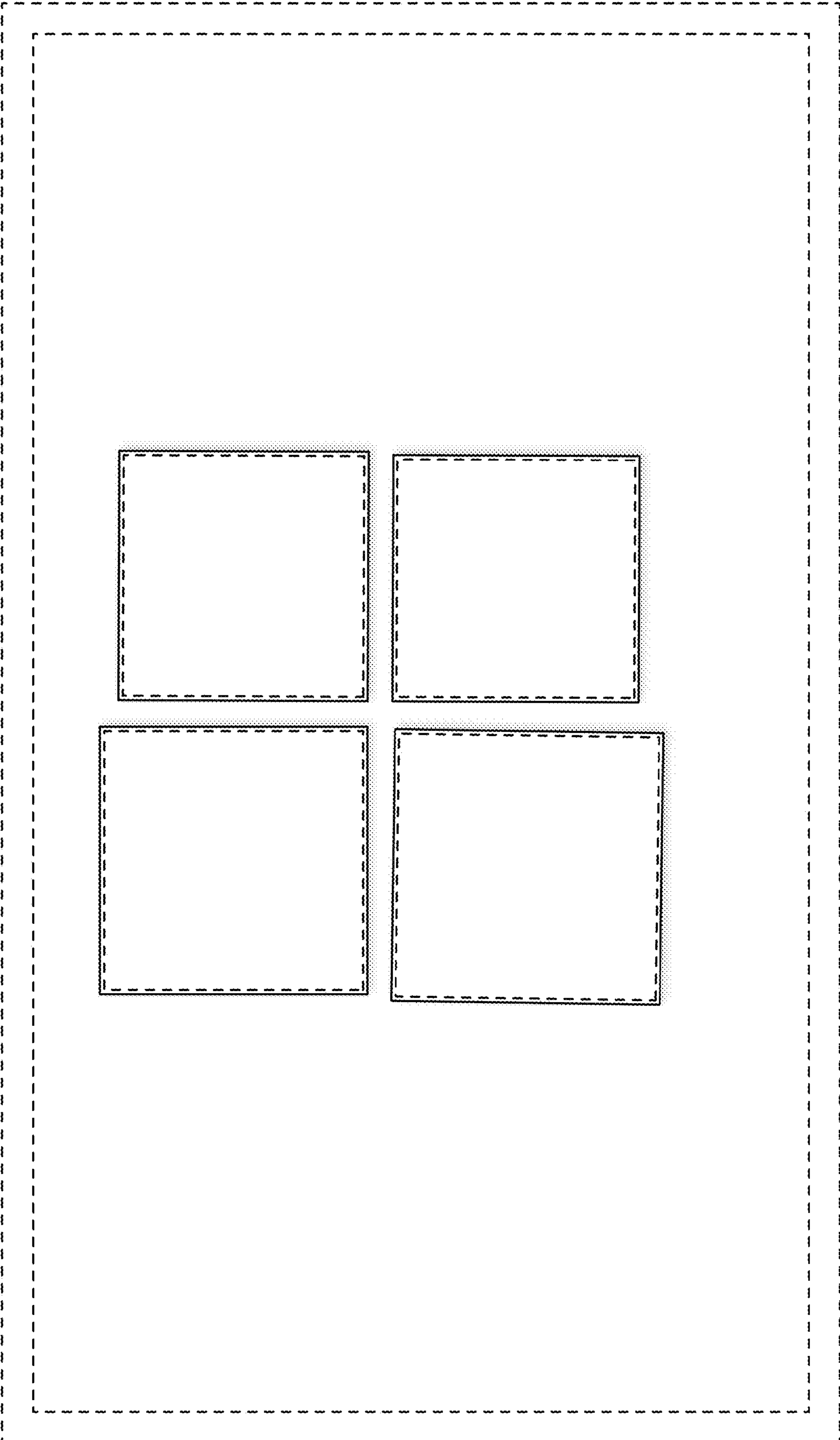


FIG. 6

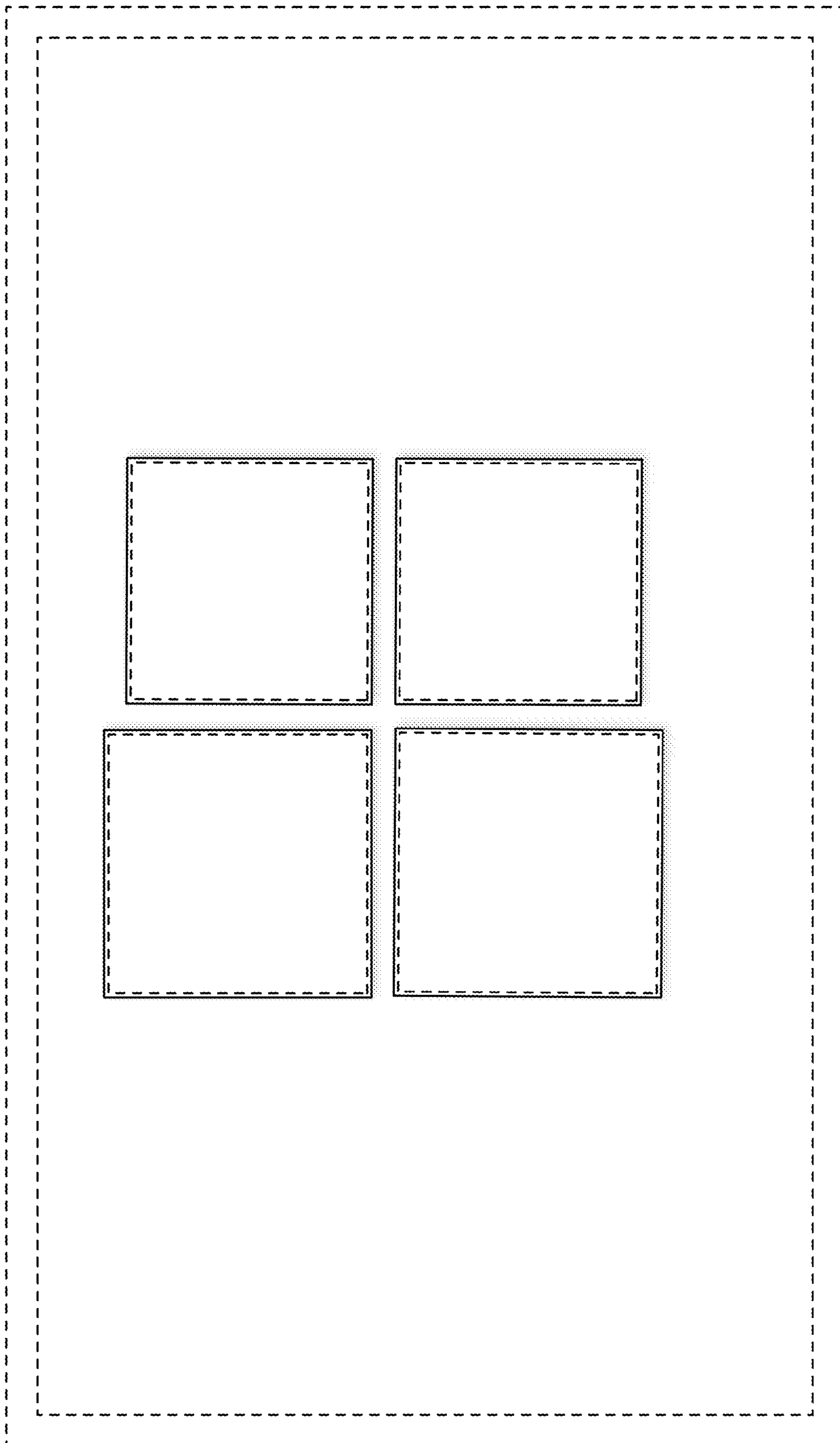


FIG. 7