



US00D915449S

(12) **United States Design Patent**
Menninger

(10) **Patent No.:** **US D915,449 S**

(45) **Date of Patent:** **** Apr. 6, 2021**

(54) **DISPLAY PANEL OF A PROGRAMMED
COMPUTER SYSTEM WITH A GRAPHICAL
USER INTERFACE**

(71) Applicant: **Ancestry.com DNA, LLC**, Lehi, UT
(US)

(72) Inventor: **David Menninger**, San Francisco, CA
(US)

(73) Assignee: **Ancestry.com DNA, LLC**, Lehi, UT
(US)

(**) Term: **15 Years**

(21) Appl. No.: **29/607,734**

(22) Filed: **Jun. 15, 2017**

(51) **LOC (13) Cl.** **14-04**

(52) **U.S. Cl.**
USPC **D14/488**

(58) **Field of Classification Search**
USPC D14/485-495
CPC ... G06F 3/048-04897; G06F 3/034545; G06F
16/972; G06F 17/00; G06Q 20/102;
H04L 63/1408; B64D 11/00; H04N
21/8173; H04M 3/5175; H02J 13/00028
See application file for complete search history.

(56) **References Cited**

U.S. PATENT DOCUMENTS

D602,033	S *	10/2009	Vu	D14/485
D636,779	S *	4/2011	Boush	D14/486
D647,914	S *	11/2011	Brouwers	D14/486
D684,585	S *	6/2013	Plesnicher	D14/486
D699,251	S *	2/2014	Rao	D14/486
D722,606	S *	2/2015	Stroupe	D14/485
D727,336	S *	4/2015	Allison	D14/485
D727,928	S *	4/2015	Allison	D14/485
9,003,023	B2 *	4/2015	Crank	H04L 63/1408 709/224
9,098,384	B2 *	8/2015	Barak	G06F 17/00

D746,308	S *	12/2015	Ta	D14/485
D747,333	S *	1/2016	Supino	D14/486
D751,569	S *	3/2016	Chaudhari	D14/485
D754,144	S *	4/2016	Vazquez	D14/485
D754,675	S *	4/2016	Vazquez	D14/485
D754,676	S *	4/2016	Vazquez	D14/485
D766,261	S *	9/2016	Prophete	D14/485
D768,673	S *	10/2016	Kim	D14/486
D775,642	S *	1/2017	Gao	D14/486
D776,130	S *	1/2017	Contreras	D14/485
D777,177	S *	1/2017	Chen	D14/485
D781,326	S *	3/2017	Bray	D14/486
D792,894	S *	7/2017	Dzjind	D14/486
D798,315	S *	9/2017	Prophete	D14/485
D798,326	S *	9/2017	Kim	D14/486

(Continued)

OTHER PUBLICATIONS

“Last year, major retailers saw sales up 8.5%” Jan. 30, 2017, posted at cartvnews.com, [site visited Nov. 25, 2019]. <http://www.cartvnews.com/news/articleView.html?idxno=252360>.*

(Continued)

Primary Examiner — John M Otte

(74) *Attorney, Agent, or Firm* — Fenwick & West LLP

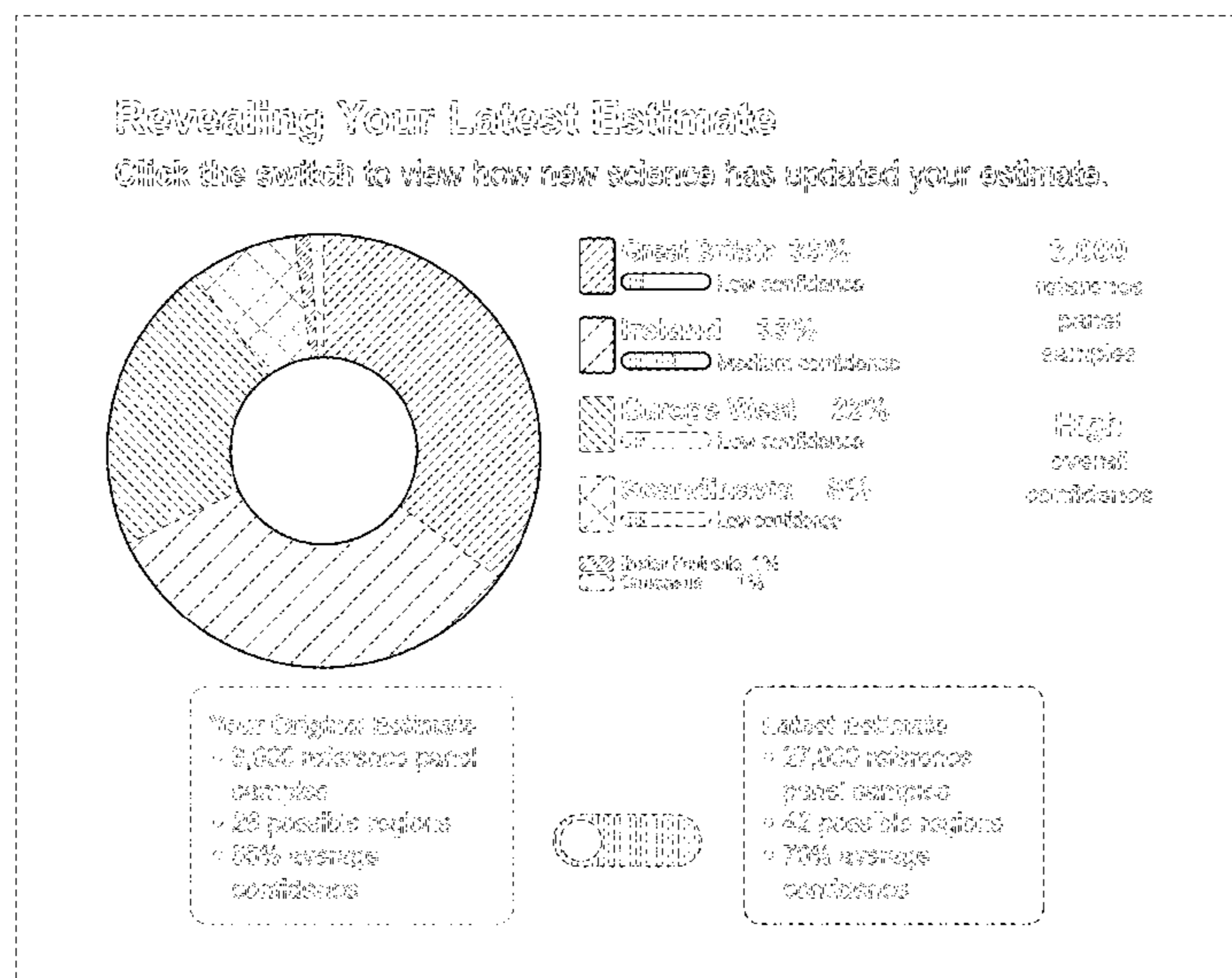
(57) **CLAIM**

The ornamental design for a display panel of a programmed computer system with a graphical user interface, as shown and described.

DESCRIPTION

The FIGURE is a view of a display panel of a programmed computer system with a graphical user interface. The broken lines illustrate the display panel of a programmed computer system and portions of the graphical user interface, including all line shading. None of the broken lines form part of the claimed design.

1 Claim, 1 Drawing Sheet



(56)

References Cited

U.S. PATENT DOCUMENTS

D807,901 S * 1/2018 Guinness D14/486
 D808,986 S * 1/2018 Dudey D14/485
 D811,420 S * 2/2018 Gaur D14/485
 D822,705 S * 7/2018 Antihi D14/486
 D823,869 S * 7/2018 Zimmerman D14/486
 D824,405 S * 7/2018 Narinedhat D14/486
 D838,734 S * 1/2019 Kruse D14/486
 D840,428 S * 2/2019 Narinedhat D14/488
 D846,562 S * 4/2019 Sombreiroiro D14/485
 D848,459 S * 5/2019 Li D14/486
 D858,548 S * 9/2019 Senger D14/486
 D874,492 S * 2/2020 Henderson D14/486
 D877,171 S * 3/2020 Poindexter D14/486
 2009/0327963 A1 * 12/2009 Mouilleseaux G06F 3/0482
 715/834
 2010/0005008 A1 * 1/2010 Duncker G06F 16/972
 705/26.1
 2011/0264582 A1 * 10/2011 Kim G06Q 20/102
 705/40
 2014/0101589 A1 * 4/2014 Hyun G06F 3/04817
 715/769
 2014/0211933 A1 * 7/2014 Vymenets H04M 3/5183
 379/265.06
 2014/0233719 A1 * 8/2014 Vymenetsu H04M 3/5175
 379/265.03
 2014/0282077 A1 * 9/2014 Wilson G06F 3/03545
 715/751
 2014/0380219 A1 * 12/2014 Cartan G06F 3/04842
 715/771
 2015/0239561 A1 * 8/2015 Hau B64D 11/00
 715/771
 2015/0296273 A1 * 10/2015 Kim H04N 21/8173
 725/32
 2016/0103581 A1 * 4/2016 Kim G06F 3/0482
 715/711

2016/0103592 A1 * 4/2016 Prophete G06F 3/04845
 715/771
 2016/0179359 A1 * 6/2016 Kodejs G06F 3/04817
 715/763
 2016/0306442 A1 * 10/2016 Lee G06F 3/0362
 2017/0358041 A1 * 12/2017 Forbes, Jr. H02J 13/00028

OTHER PUBLICATIONS

Shenoy, Prashanth, "Cisco DNA Technologies Reign in Three Finalist Spots for Best of Interop!" Apr. 7, 2016, posted at blogs.cisco.com, [site visited Nov. 25, 2019]. <https://blogs.cisco.com/enterprise/cisco-dna-technologies-reign-in-three-finalist-spots-for-best-of-interop>.*

Dua, Amit, "Illustrator Tutorial: Eye-Catching 3d Pie Graph" Oct. 22, 2009, posted at vectordairy.com, [site visited Jun. 24, 2020]. <https://web.archive.org/web/20091026231445/https://www.vectordairy.com/illustrator/eye-catching-3d-pie-graph-tutorial> (Year: 2009).*

Thomas, Owen, "Revealed! Here's Who Owns How Much of Square" Jun. 13, 2012, posted at businessinsider.com, [site visited Jun. 24, 2020]. <https://www.businessinsider.com/square-ownership-breakdown-2012-6> (Year: 2012).*

Gupta, Rajendra, "How to create and configure a Sunburst chart in SQL Server 2016 Reporting Services" Oct. 12, 2016, posted at sqlshack.com, [site visited Jun. 24, 2020]. <https://www.sqlshack.com/create-configure-sunburst-chart-sql-server-2016-reporting-services> (Year: 2016).*

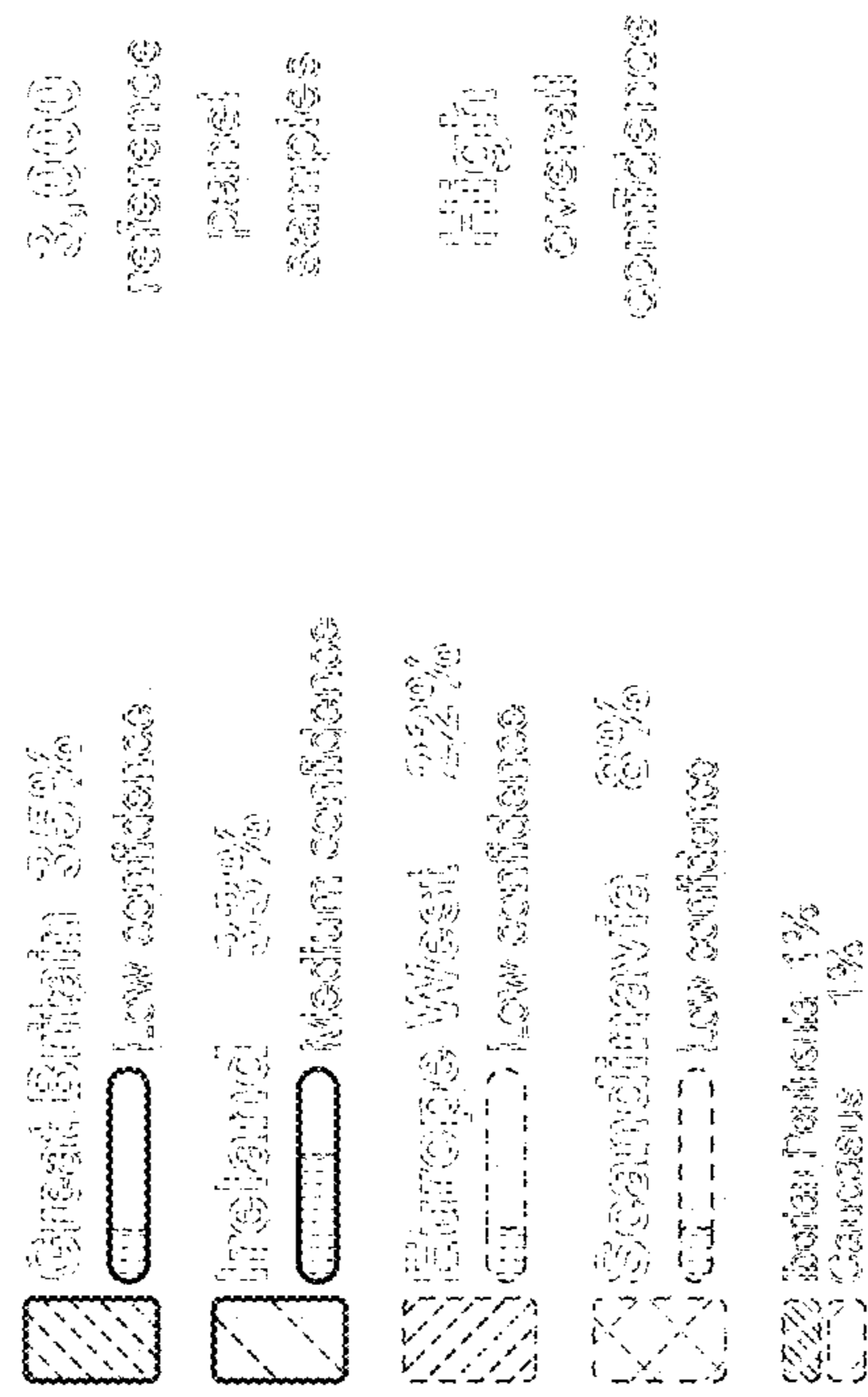
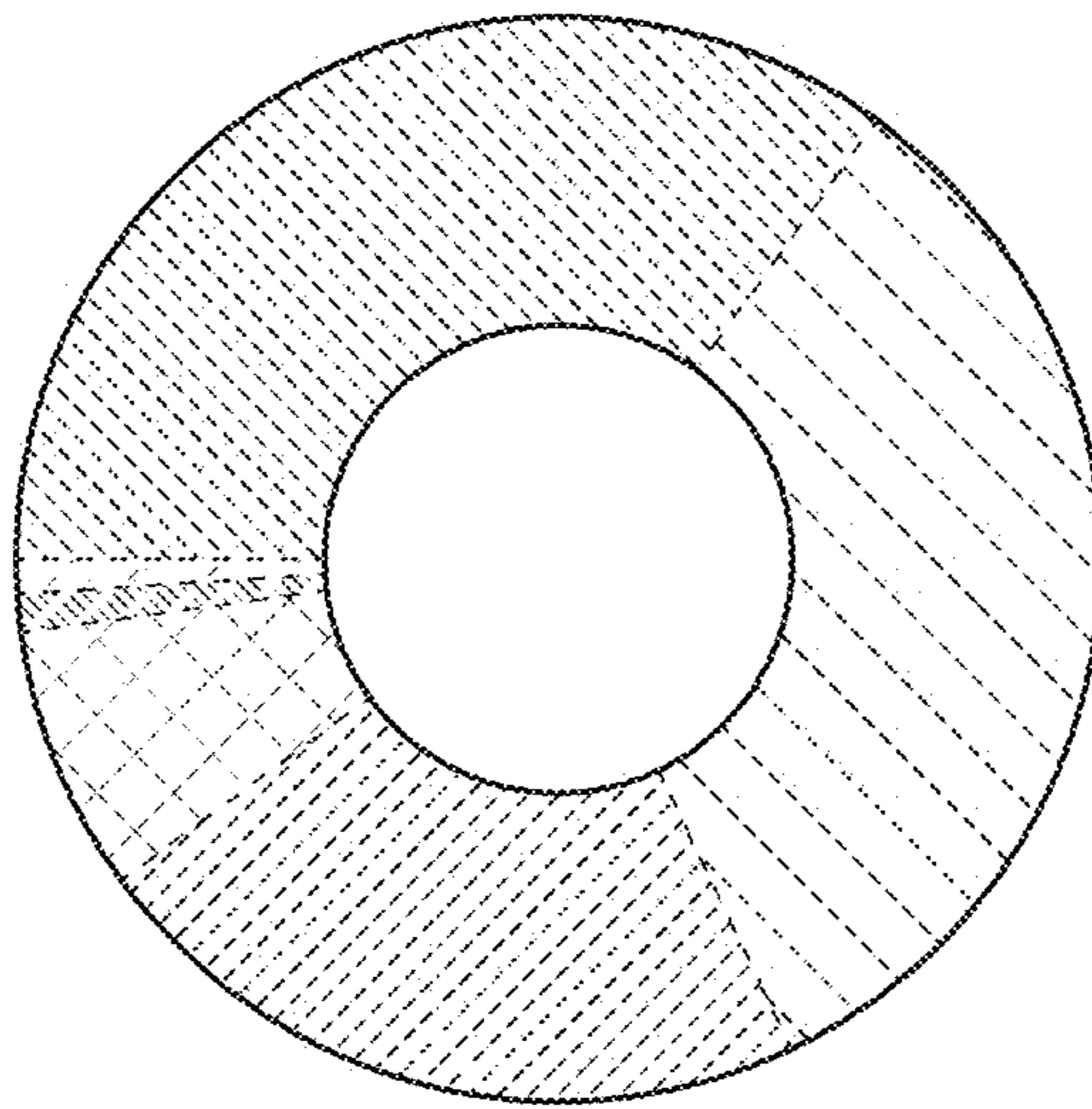
"How to use Google Charts in Visualforce pages" Aug. 14, 2016, posted at salesforcecodes.blogspot.com, [site visited Sep. 28, 2020]. <https://web.archive.org/web/20160814010022/https://salesforcecodes.blogspot.com/2015/08/how-to-use-google-charts-in-visualforce.html> (Year: 2016).*

Daly, Laura, "Agile dashboards for every member of your software team" Apr. 6, 2020, posted at atlassian.com, [site visited Sep. 28, 2020]. <https://www.atlassian.com/blog/agile/jira-software-agile-dashboard> (Year: 2016).*

* cited by examiner

Reviewing Your Latest Estimate

Click the switch to view how new sources has updated your estimate.



Your Original Estimate

- 3,000 reference panel samples
- 26 possible regions
- 50% average confidence

Latest Estimate

- 27,000 reference panel samples
- 42 possible regions
- 70% average confidence

