



US00D915414S

(12) **United States Design Patent**
Yang

(10) **Patent No.:** **US D915,414 S**

(45) **Date of Patent:** **** Apr. 6, 2021**

(54) **COMPUTER STAND**

(71) Applicant: **Xiaoming Yang**, Guangdong (CN)

(72) Inventor: **Xiaoming Yang**, Guangdong (CN)

(73) Assignee: **Shenzhen Green Giant Energy Technology Development Co., Ltd.**, Shenzhen (CN)

(**) Term: **15 Years**

(21) Appl. No.: **29/736,251**

(22) Filed: **May 28, 2020**

(30) **Foreign Application Priority Data**

Nov. 29, 2019 (EM) 007307541-0002

(51) **LOC (13) Cl.** **08-07**

(52) **U.S. Cl.**
USPC **D14/447**

(58) **Field of Classification Search**
USPC D14/447, 432, 434, 439, 440, 451, 452,
D14/457, 239, 253; D8/363, 373, 380;
D6/406.3, 406.4, 406.5, 406.6; D12/415
CPC A47B 21/04; A47B 2097/006; A47B
2097/005; A47B 2023/049; A45C
2011/002; A45C 2011/003; F16M
2200/00; F16M 13/00

See application file for complete search history.

(56) **References Cited**

U.S. PATENT DOCUMENTS

D676,449 S * 2/2013 Probst D14/440
D677,668 S * 3/2013 Phillips D14/440

D678,886 S * 3/2013 Heckler D14/447
D705,785 S * 5/2014 Wang D14/447
D721,710 S * 1/2015 Messing D14/447
D733,155 S * 6/2015 van Hooft D14/447
D798,871 S * 10/2017 Avganinn D14/447
D804,490 S * 12/2017 Wei D14/447
D832,271 S * 10/2018 Cheng D14/440
D857,700 S * 8/2019 Zeng D14/447
D868,072 S * 11/2019 Lei D14/440
D870,116 S * 12/2019 Lei D14/447
D886,829 S * 6/2020 Cheng D14/447

* cited by examiner

Primary Examiner — Angela J Lee

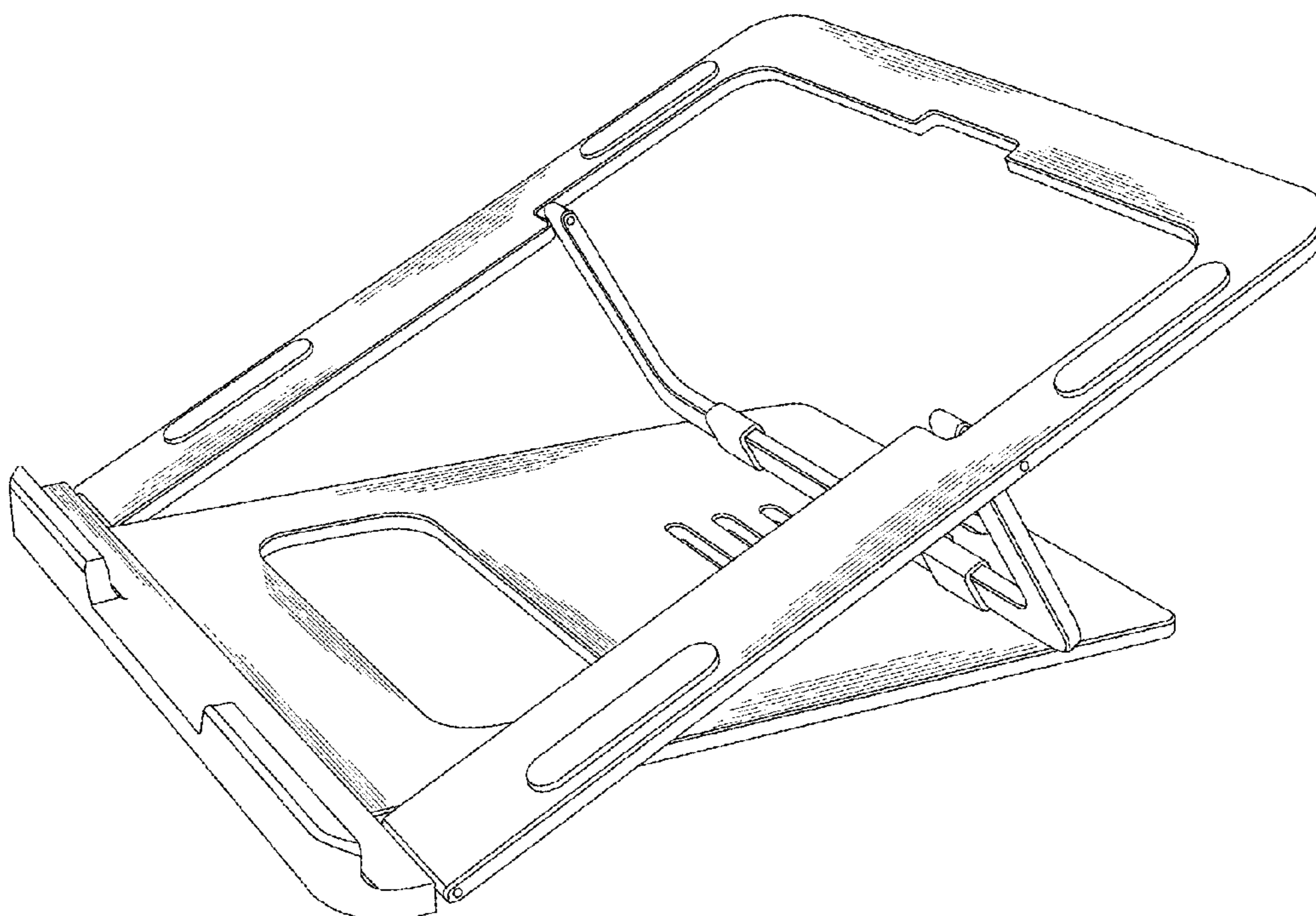
(57) **CLAIM**

The ornamental design for a computer stand, as shown and described.

DESCRIPTION

FIG. 1 is a perspective view of a computer stand showing my new design;
FIG. 2 is a front elevational view thereof;
FIG. 3 is a rear elevational view thereof;
FIG. 4 is a left side elevational view thereof;
FIG. 5 is a right side elevational view thereof;
FIG. 6 is a top plan view thereof;
FIG. 7 is a bottom plan view thereof; and,
FIG. 8 is a perspective thereof, showing the computer stand in a folded state.

1 Claim, 8 Drawing Sheets



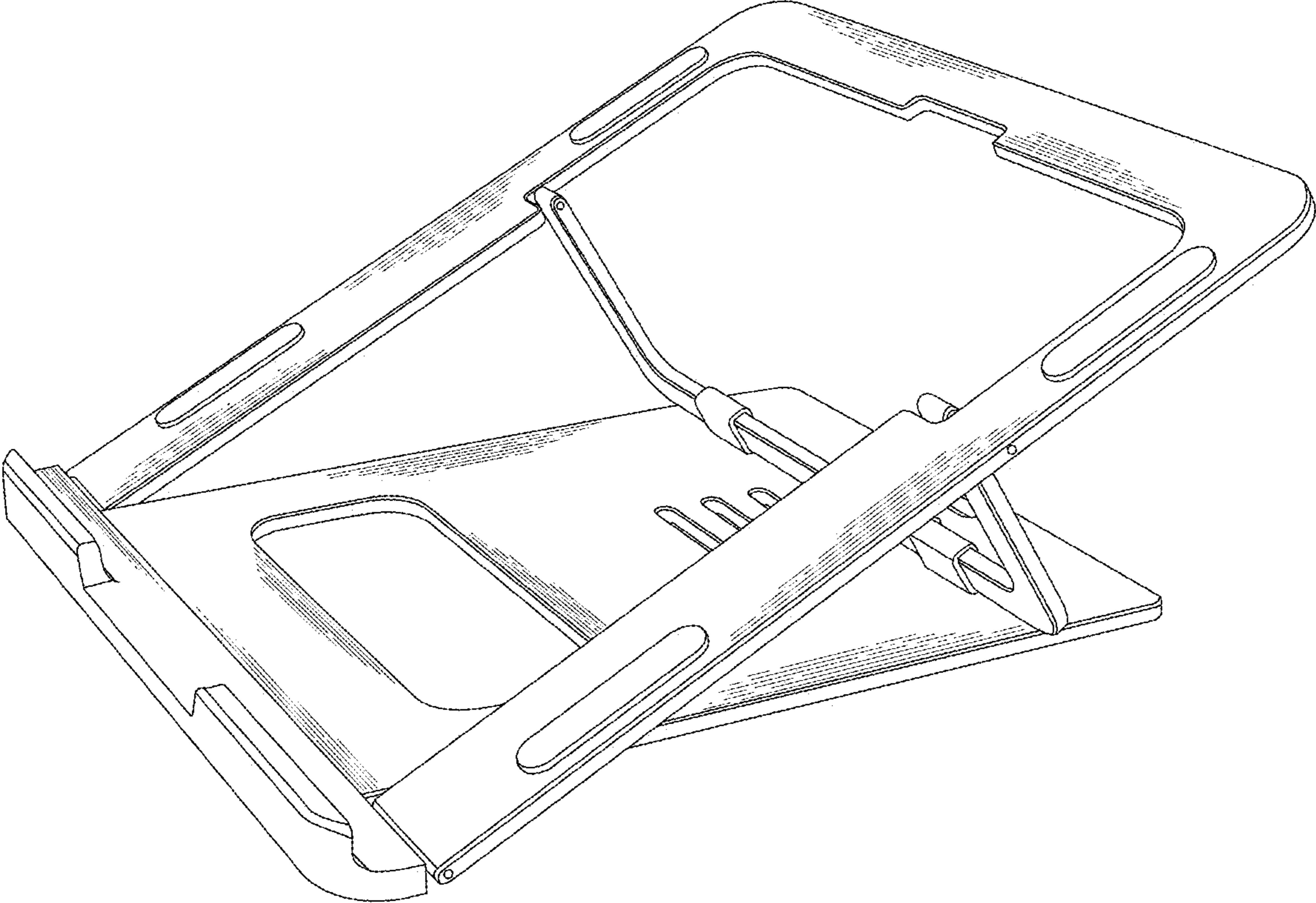


FIG. 1

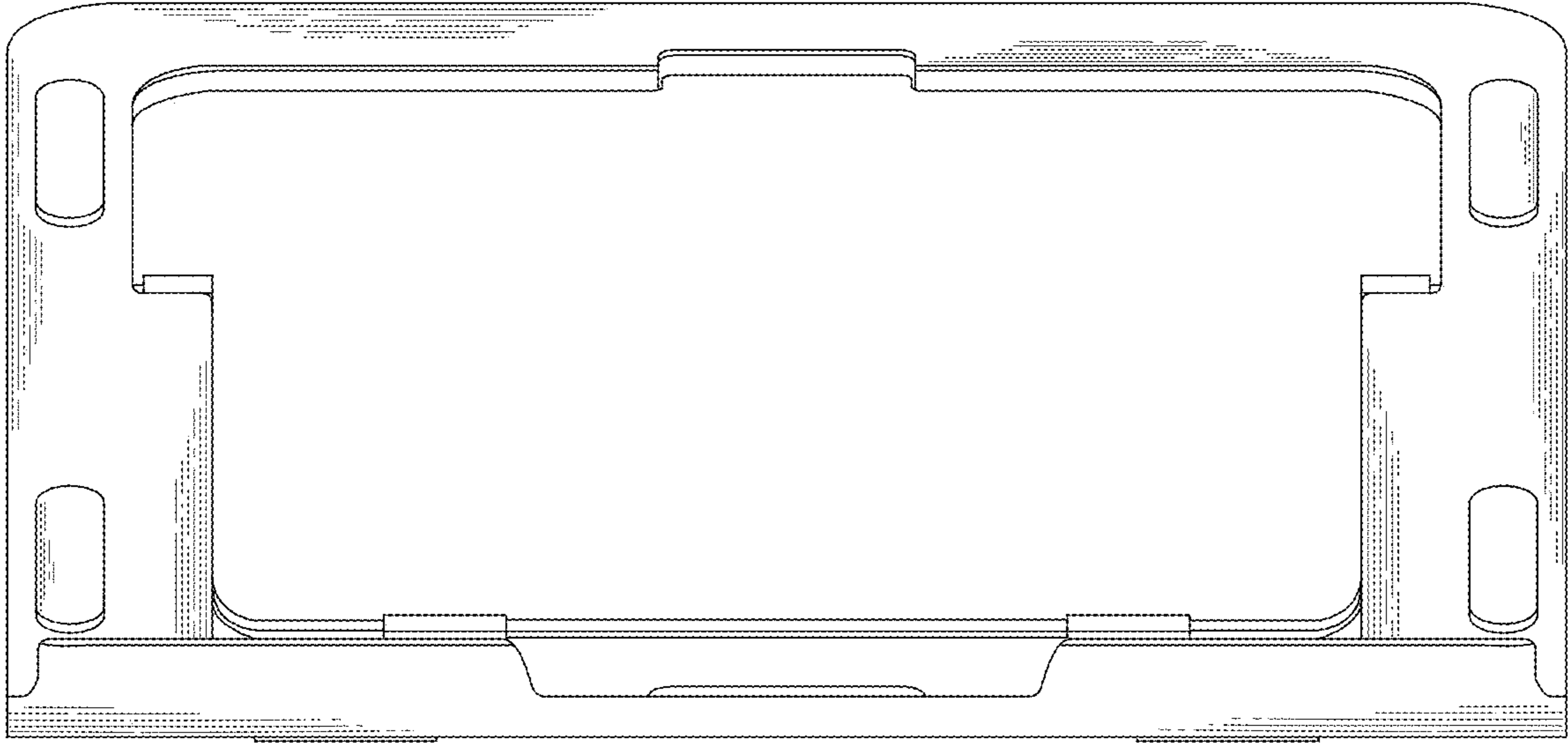


FIG. 2

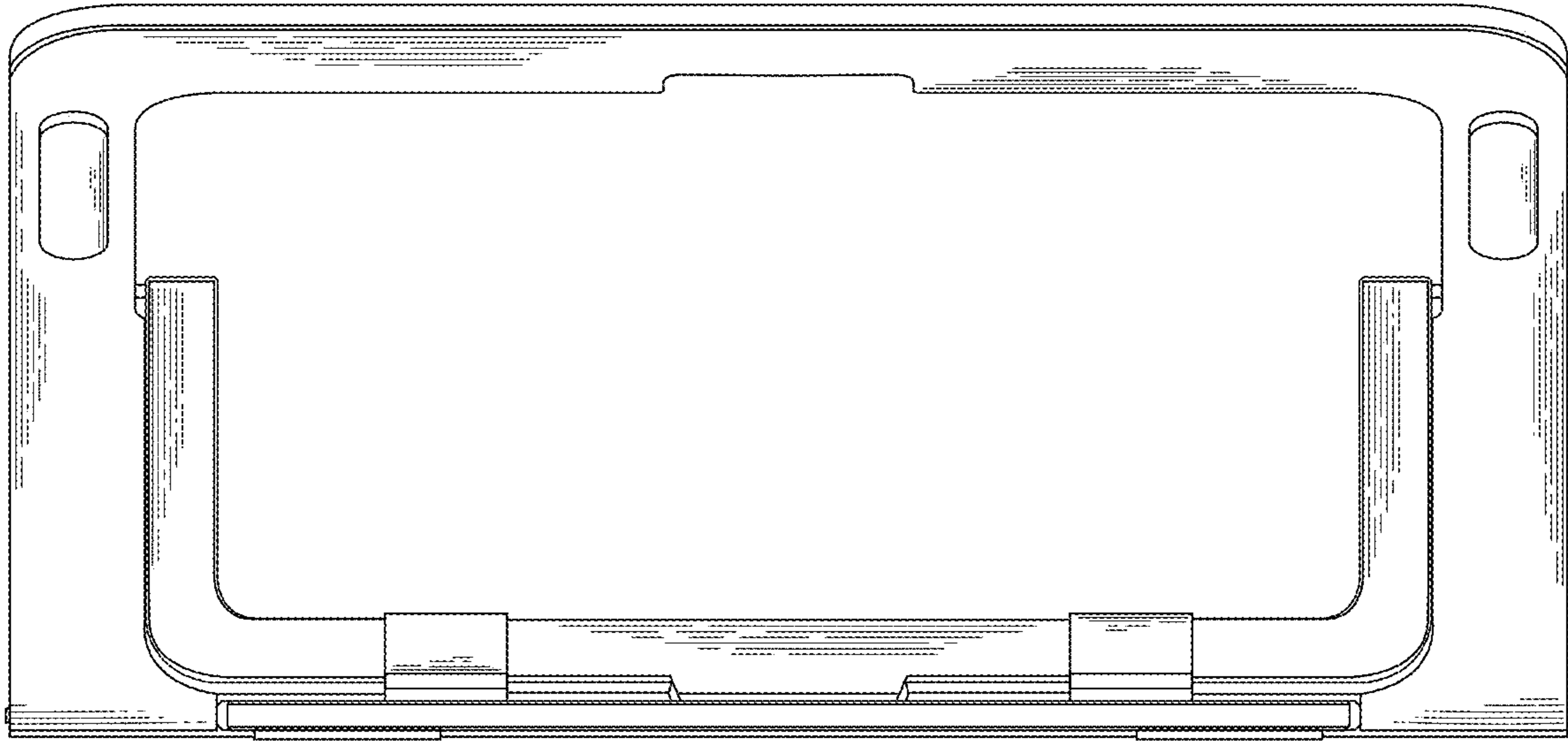


FIG. 3

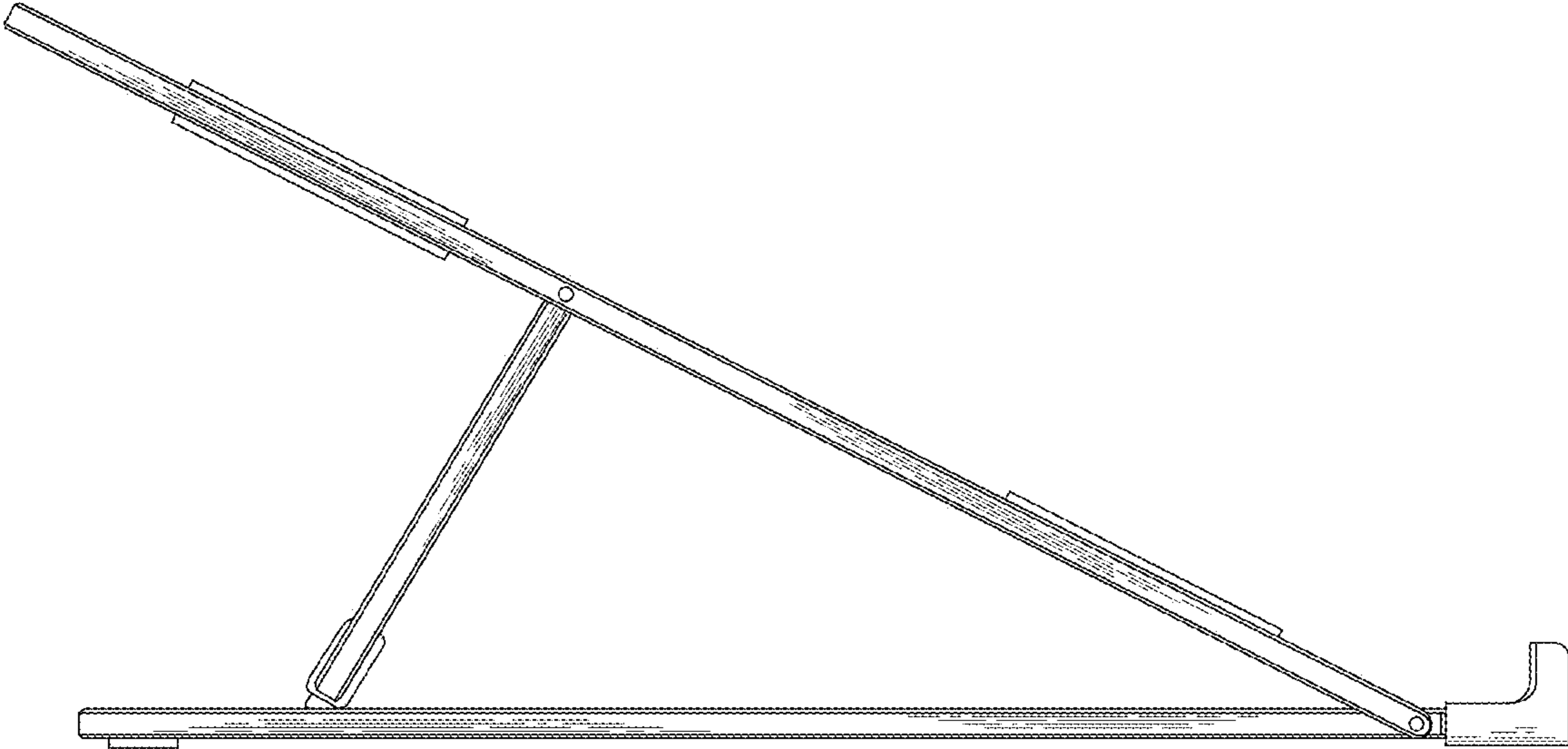


FIG. 4

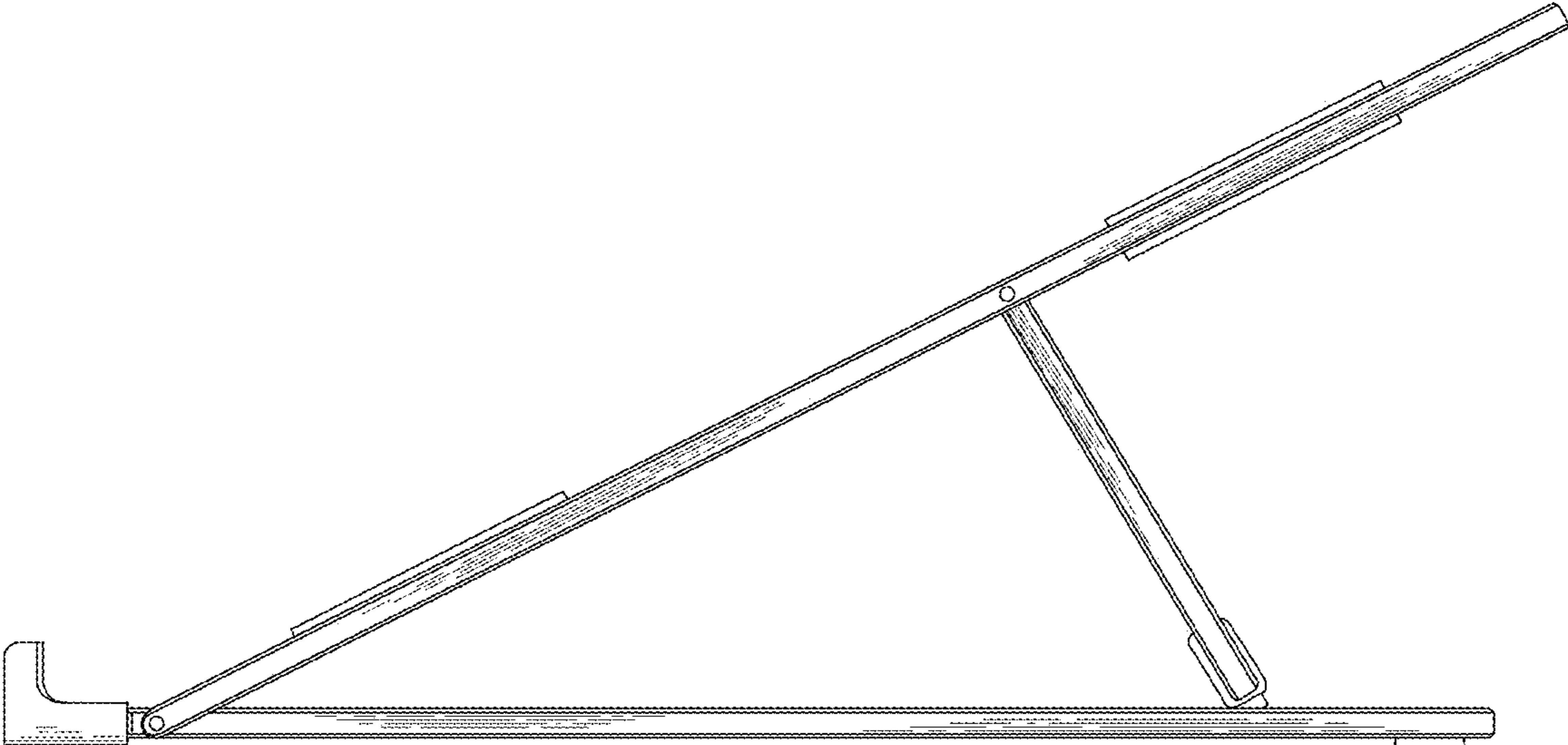


FIG. 5

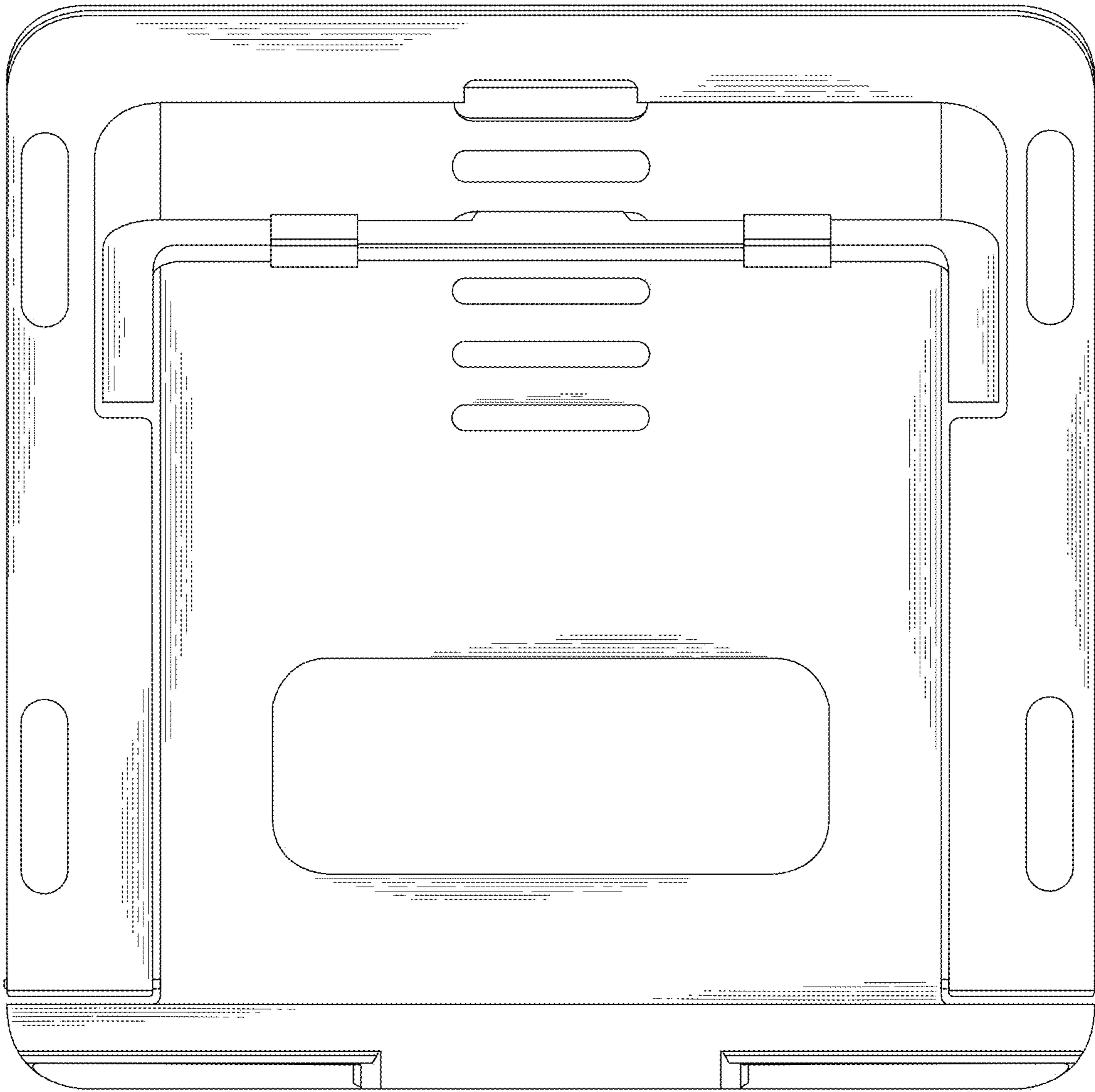


FIG. 6

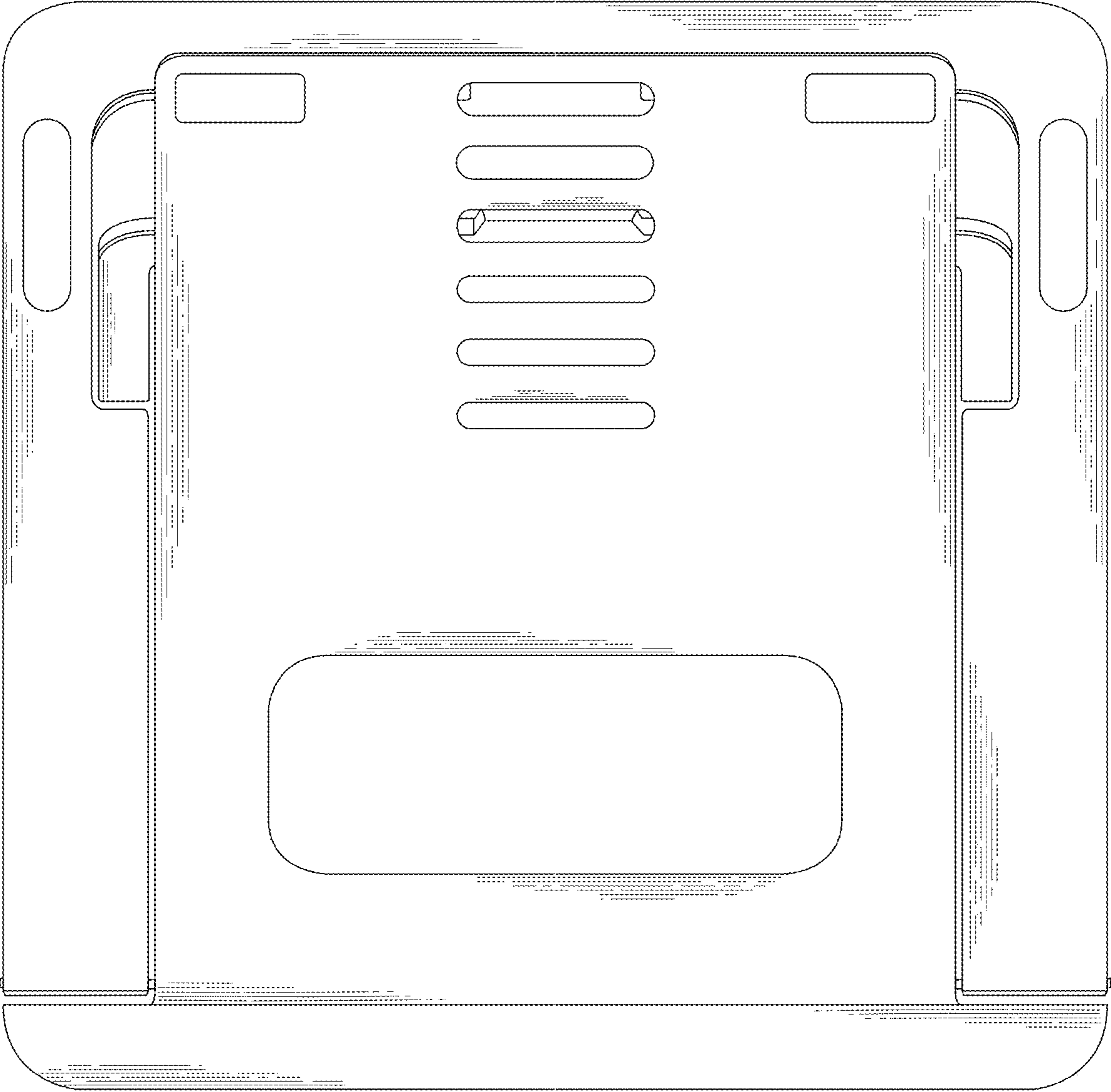


FIG. 7

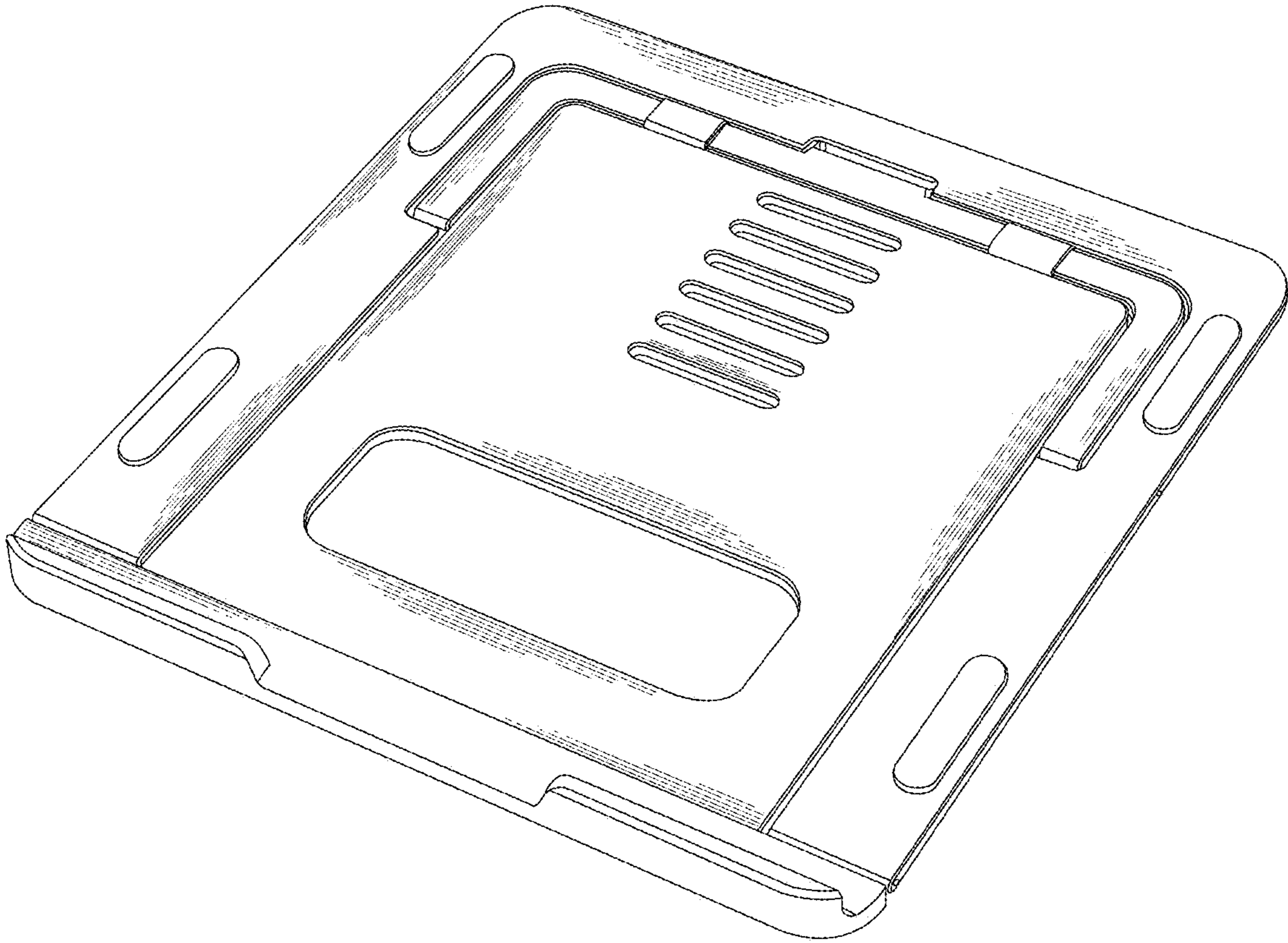


FIG. 8