



US00D915412S

(12) **United States Design Patent** (10) **Patent No.:** **US D915,412 S**
Jung (45) **Date of Patent:** **** Apr. 6, 2021**

(54) **CASE FOR SMART WATCH**
(71) Applicant: **SPIGEN KOREA CO., LTD.**, Seoul (KR)
(72) Inventor: **Soo Ha Jung**, Seoul (KR)
(73) Assignee: **SPIGEN KOREA CO., LTD.**, Seoul (KR)

D703,649 S 4/2014 Wikel
D714,206 S 9/2014 Starr, Jr.
D714,295 S 9/2014 Fujioka
D716,312 S 10/2014 Fujioka
D719,125 S 12/2014 Choi et al.
D723,016 S 2/2015 Lee
D728,549 S 5/2015 Su
D730,225 S 5/2015 Behar
D735,198 S 7/2015 Song
D735,199 S 7/2015 Song

(Continued)

(**) Term: **15 Years**

(21) Appl. No.: **29/696,675**

(22) Filed: **Jun. 28, 2019**

(51) **LOC (13) Cl.** **14-02**

(52) **U.S. Cl.**
USPC **D14/440; D10/132**

(58) **Field of Classification Search**
USPC D10/30-39, 128, 132; D14/344, 440;
D24/167, 186
CPC G04B 37/00; G04B 37/008; G04B 37/05;
G04B 45/0069; A44C 5/00; A44C 5/0053
See application file for complete search history.

(56) **References Cited**

U.S. PATENT DOCUMENTS

D510,047 S * 9/2005 Scarinzi D10/128
D549,597 S * 8/2007 Kraus D10/31
D638,324 S 5/2011 Tang
7,946,758 B2 5/2011 Mooring
D647,107 S 10/2011 Akana
D656,135 S 3/2012 Swartz
8,256,612 B1 9/2012 Wang
D671,930 S 12/2012 Akana
D674,789 S 1/2013 Wen
D678,262 S 3/2013 Prato
D681,483 S 5/2013 Biegert
D688,582 S 8/2013 Wilson
D688,967 S 9/2013 Wilson
8,523,124 B2 9/2013 Yuan
D693,709 S 11/2013 Lee

OTHER PUBLICATIONS

Spigen Liquid Air Armor for Samsung Galaxy Watch Review
review by Aaron Bell posted at amazon.com Jun. 26, 2019 [online].
© 1996-2020, Amazon.com, Inc [retrieved Jan. 17, 2020] from
Internet: <https://www.amazon.com/Spigen-Liquid-Designed-Samsung-Galaxy/dp/B07RH6WBRF?ref_ast_sto_dp&th=1> (Year: 2019).*

(Continued)

Primary Examiner — Katherine Glennon
(74) *Attorney, Agent, or Firm* — Heedong Chae; Lucem, PC

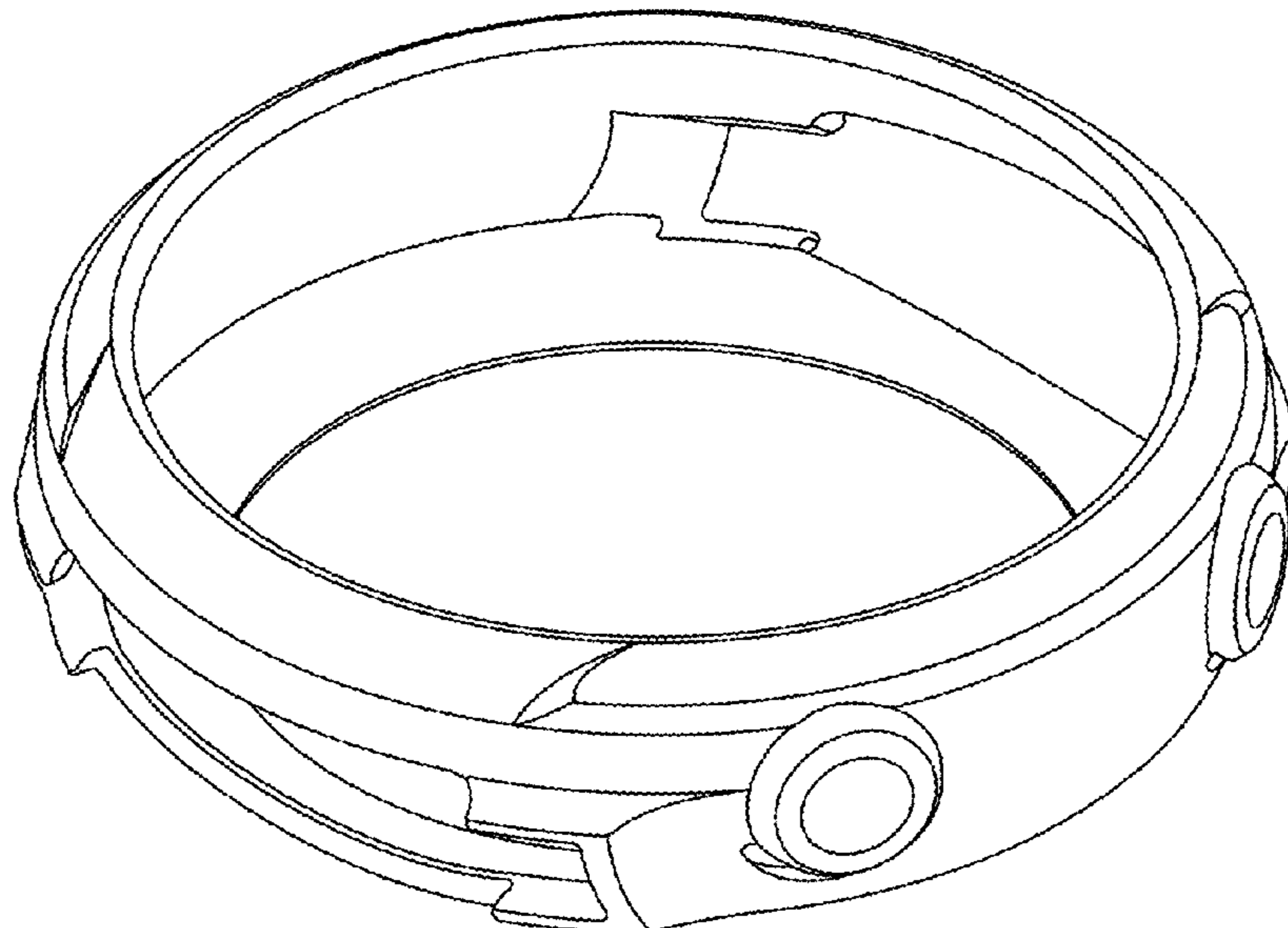
(57) **CLAIM**

The ornamental design for a case for smart watch, as shown and described.

DESCRIPTION

FIG. 1 is a front perspective view of the case for smart watch showing my new design;
FIG. 2 is a rear perspective view thereof;
FIG. 3 is a front elevational view thereof;
FIG. 4 is a rear elevational view thereof;
FIG. 5 is a left side elevational view thereof;
FIG. 6 is a right side elevational view thereof;
FIG. 7 is a top plan view thereof; and,
FIG. 8 is a bottom plan view thereof.

1 Claim, 8 Drawing Sheets



(56)

References Cited

OTHER PUBLICATIONS

U.S. PATENT DOCUMENTS

D735,200 S 7/2015 Song
 D735,586 S 8/2015 Stegmann
 D736,103 S 8/2015 Behling
 D740,704 S 10/2015 Park et al.
 D741,206 S 10/2015 Lim et al.
 D742,260 S 11/2015 Park et al.
 D742,528 S * 11/2015 Huffman D24/186
 D743,282 S 11/2015 Park et al.
 D746,815 S 1/2016 Lim et al.
 D746,816 S 1/2016 Lim et al.
 D752,044 S 3/2016 Akana
 D752,996 S 4/2016 Ebersold
 D754,133 S 4/2016 Chen
 D756,240 S 5/2016 Register et al.
 D759,507 S 6/2016 Bonadei et al.
 D766,904 S 9/2016 Jung
 D766,905 S * 9/2016 Lee D14/440
 D766,906 S 9/2016 Kim
 D767,573 S 9/2016 Kim
 9,439,480 B1 * 9/2016 French A44C 5/0015
 D769,879 S * 10/2016 Kim D14/440
 D771,504 S 11/2016 Lai
 D772,868 S 11/2016 Park et al.
 D780,740 S * 3/2017 Kim D14/250
 D780,764 S * 3/2017 Tur D14/440
 D786,879 S * 5/2017 Kim D14/440
 D795,089 S 8/2017 Wright
 D795,863 S * 8/2017 Park D10/30
 D798,744 S 10/2017 Wright
 D799,344 S 10/2017 Wright
 D802,151 S * 11/2017 Bagatar D24/186
 D807,890 S * 1/2018 Roberts D14/440
 D815,090 S 4/2018 Chan et al.
 D819,645 S * 6/2018 Roberts D14/440
 D820,823 S * 6/2018 Ahn D14/253
 D882,564 S * 4/2020 Jung D14/344
 2010/0061191 A1 3/2010 Chen
 2012/0257340 A1 10/2012 Kim
 2013/0222139 A1 8/2013 Gouge
 2015/0177692 A1 * 6/2015 Goyet G04B 37/00
 368/281
 2018/0095428 A1 * 4/2018 Godoy G04B 47/06

“Rugged Armor Designed for Apple Watch Case for 42mm Series 3/Series 2/1/Original (2015)—Black”, <https://www.amazon.com/dp/B00UVSNQPM>, earliest review date of Apr. 30, 2015, downloaded on Jan. 15, 2019.
 “Spigen Tough Armor Designed for Apple Watch Case and Built in Screen Protector for 42mm (2015)—Gunmetal”, <https://www.amazon.com/dp/B00UVSOWBY>, earliest review date of May 7, 2015, downloaded on Jan. 15, 2019.
 “Spigen Tough Armor Designed for Apple Watch Case for 42mm Series 3 / Series 2/1 / Original (2015) / Nike+ Sport Edition and Built in Screen Protector—Gunmetal”, <https://www.amazon.com/dp/B01N74P26H>, earliest review date of Jan. 4, 2017, downloaded on Jan. 15, 2019.
 “Case Compatible for Samsung Gear S3 Frontier SM-R760,HMJ Band All-Around Protective Bumper Slim Plated TPU Case Scratch-Proof Cover Shell for Samsung Gear S3 Frontier/Classic Galaxy Watch 46mm SM-R800”, <https://www.amazon.com/dp/B072KZQYPR>, earliest review date of Jun. 25, 2017, downloaded on Dec. 3, 2019.
 “Spigen Tough Armor [2nd Generation] Designed for Apple Watch Case for 42mm Series 3 / Series 2/ Nike+ Sport Edition—Black”, <https://www.amazon.com/dp/B075FJT3FK>, earliest review date of Dec. 30, 2017, downloaded on Jan. 15, 2019.
 “LDFAS Galaxy Watch 46MM Case, (2 Pack) Silicone Shock-Proof and Protector Cover Compatible for Samsung Galaxy Watch 46MM (2018)/ Gear S3 Frontier (2017) Smartwatch Silver+Black”, <https://kuwait.desertcart.com/products/89094665>, earliest review date of Mar. 10, 2018, downloaded on Dec. 3, 2019.
 “Case for Samsung Gear S3 Frontier SM-R760, Haojavo Soft TPU Plated Protective Bumper Shell Protector for Samsung Gear S3 Frontier/Classical & Galaxy Watch 46mm Smartwatch Bands Accessories”, <https://www.amazon.com/dp/B07Y2QDL5S>, earliest review date of Aug. 20, 2018, downloaded on Dec. 3, 2019.
 “JZK Case for Samsung Galaxy Watch 46mm Gear S3 Screen Protector,Shatter-Resistant Protective Shell TPU Cover Case for Samsung Gear S3 Frontier/Classical and Galaxy Watch 46mm Accessories,Silver”, <https://www.amazon.com/dp/B07GGKSKV1>, earliest review date of Sep. 3, 2018, downloaded on Dec. 3, 2019.

* cited by examiner

FIG. 1

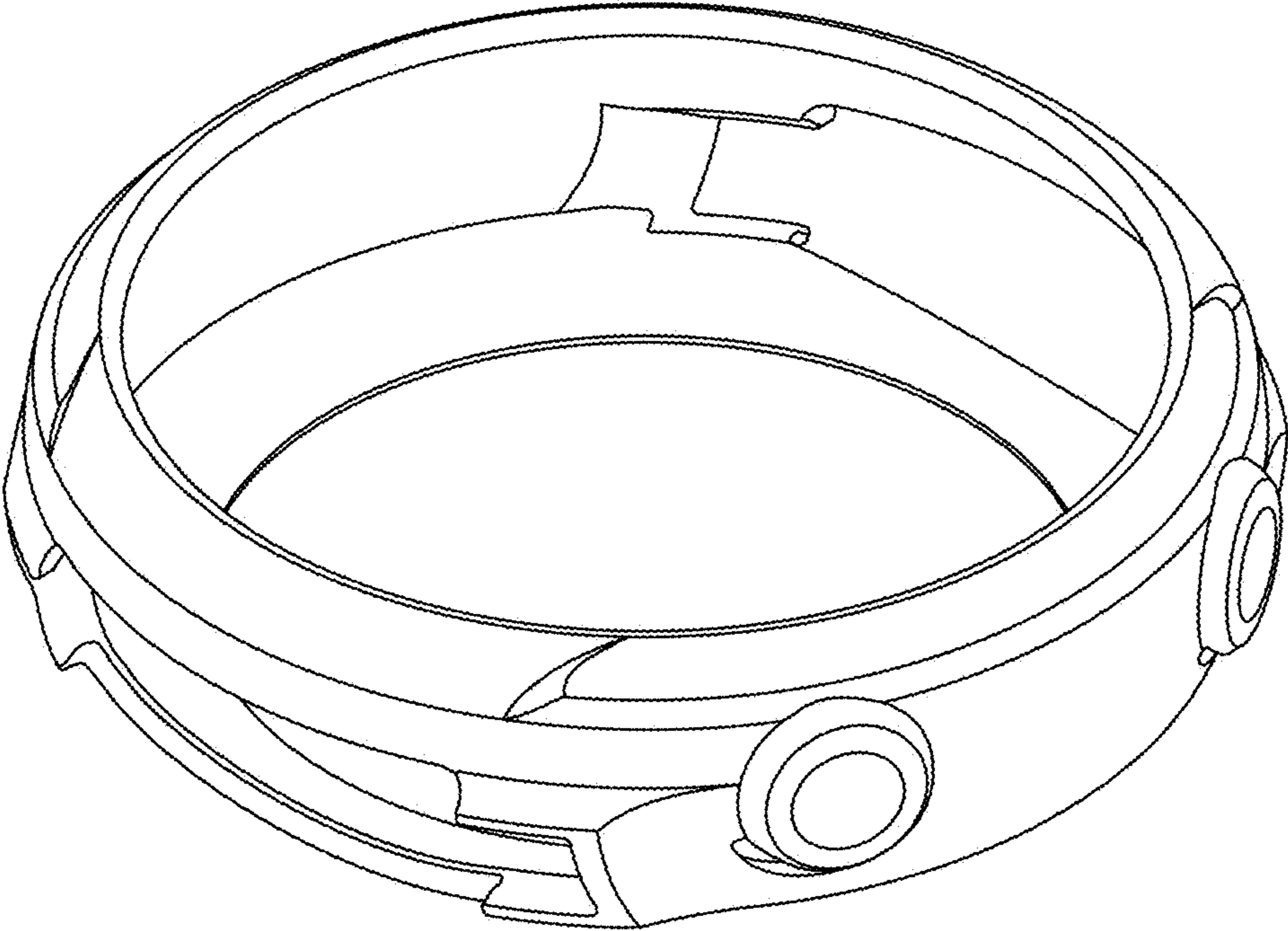


FIG. 2

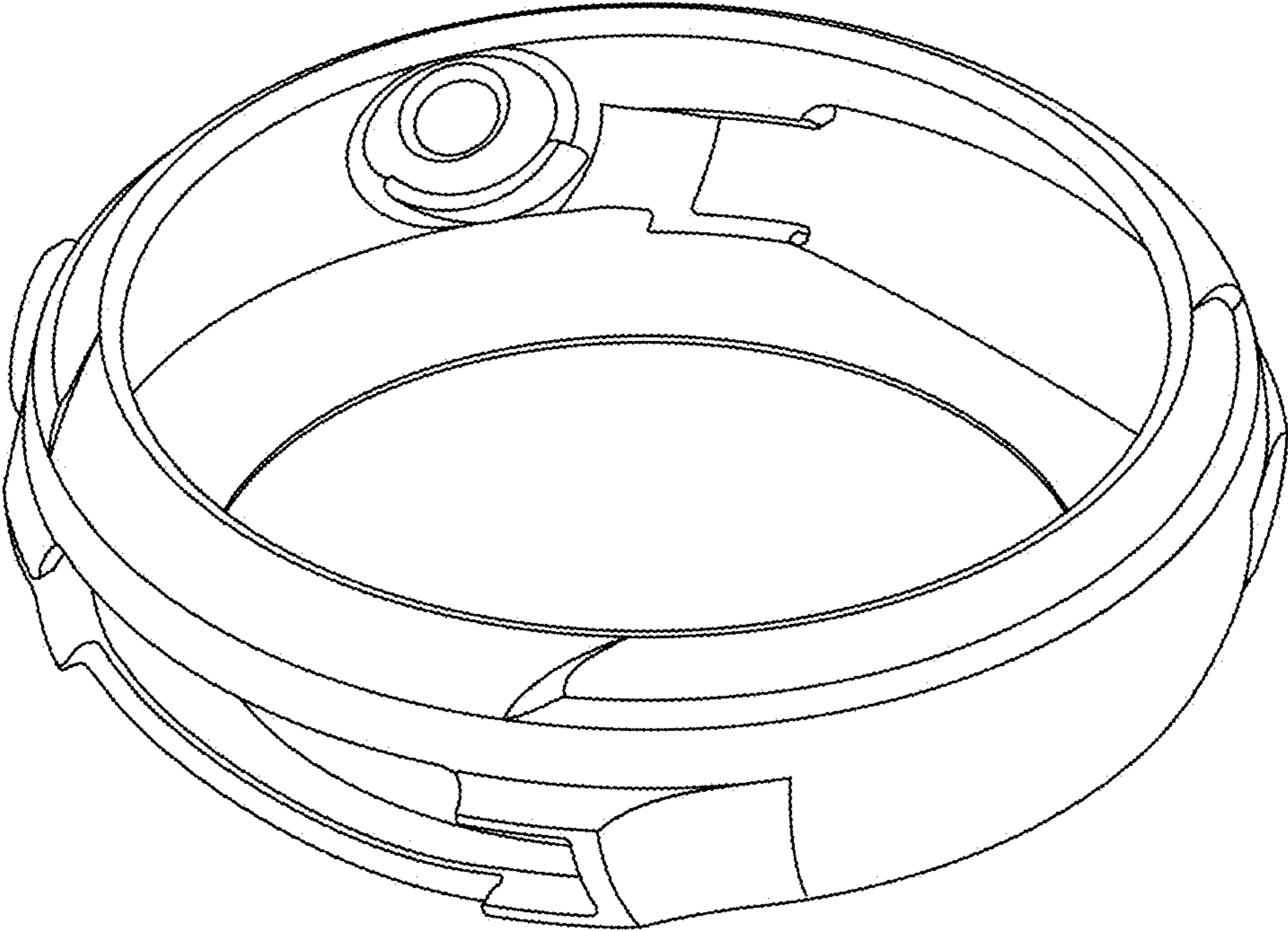


FIG. 3

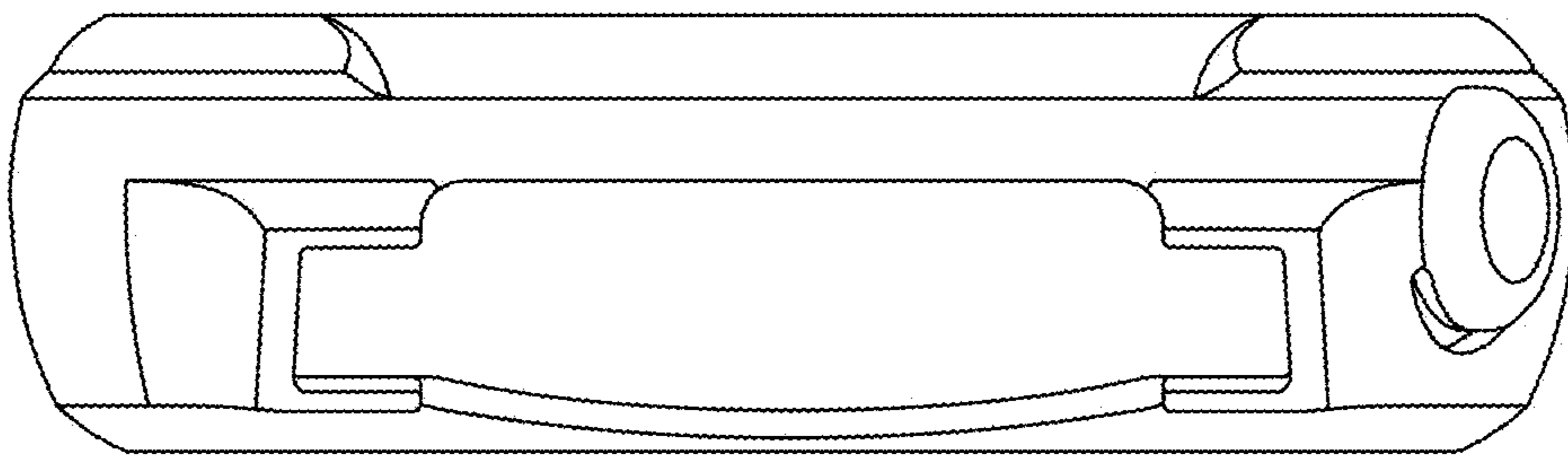


FIG. 4

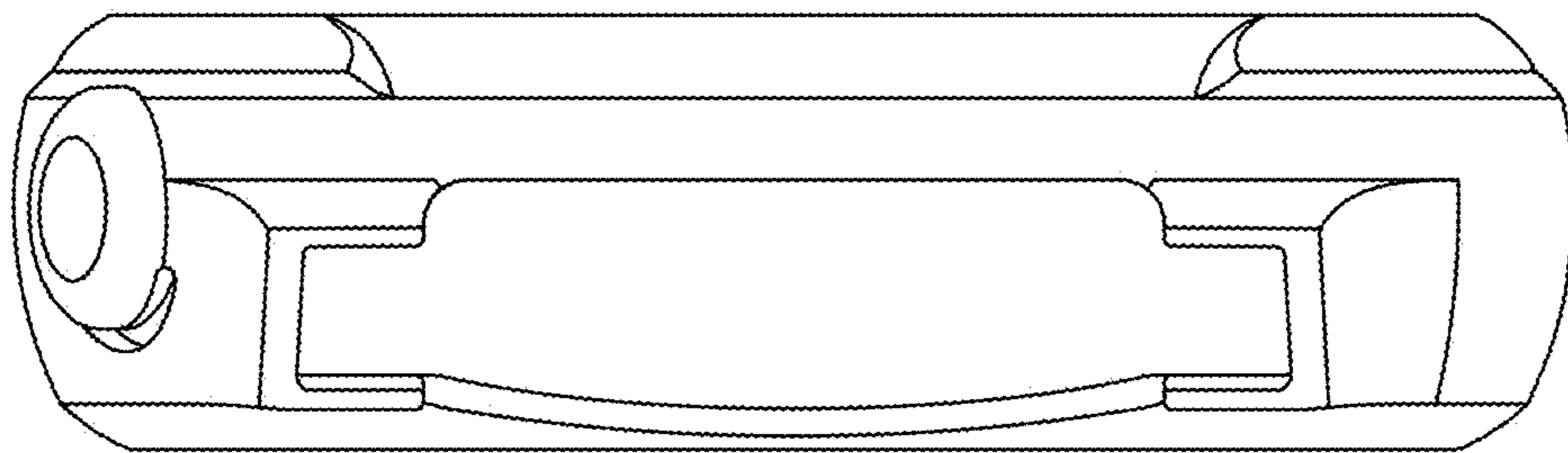


FIG. 5

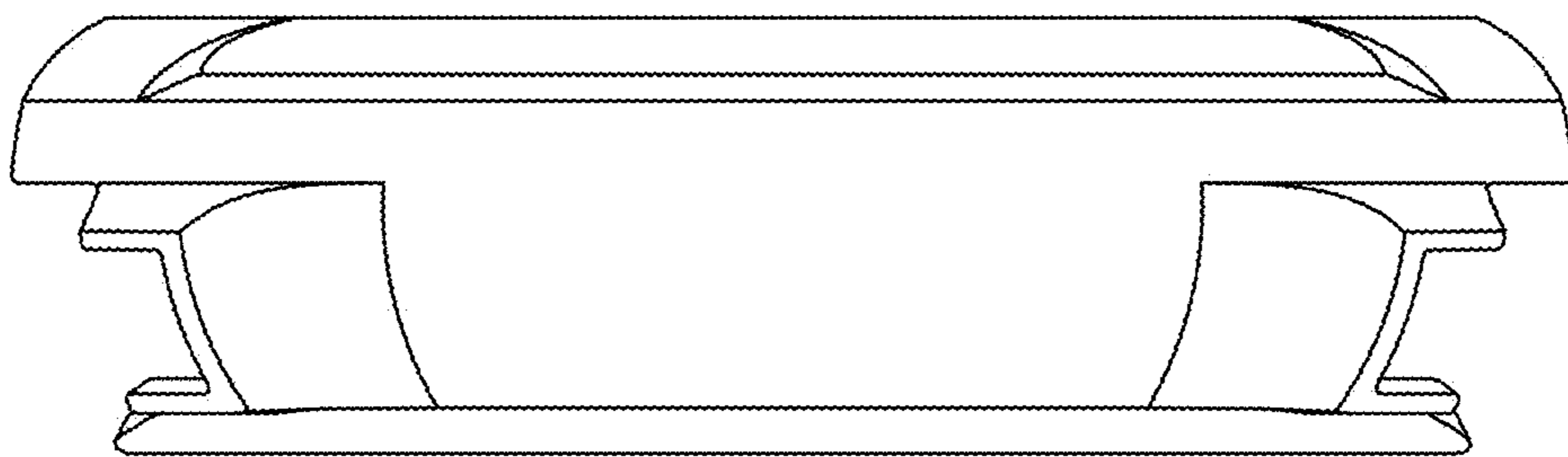


FIG. 6

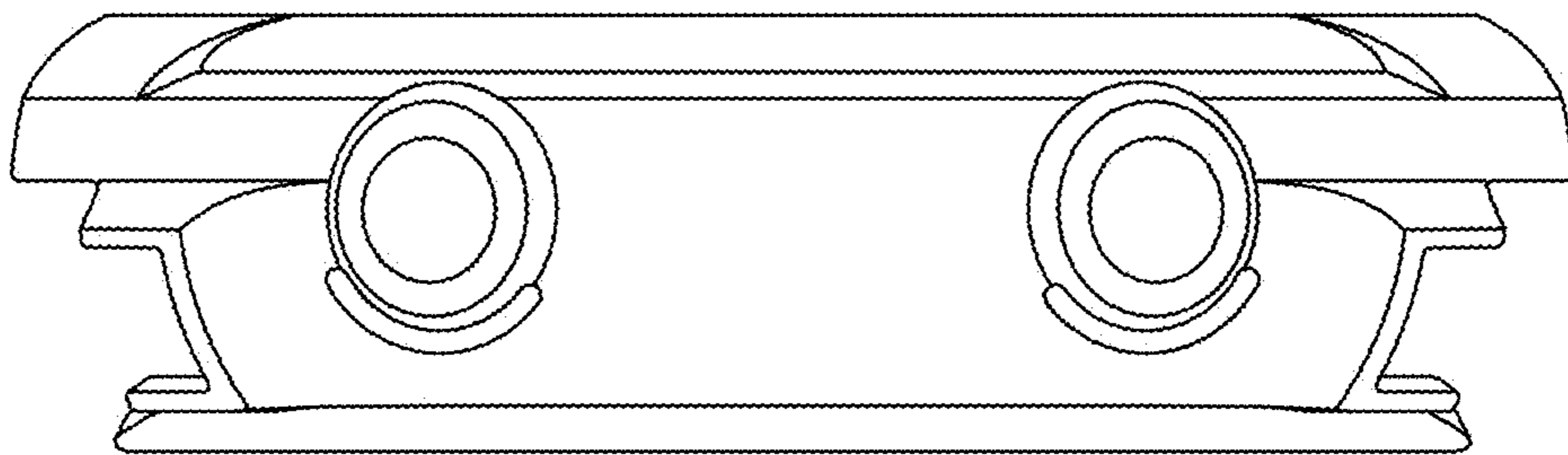


FIG. 7

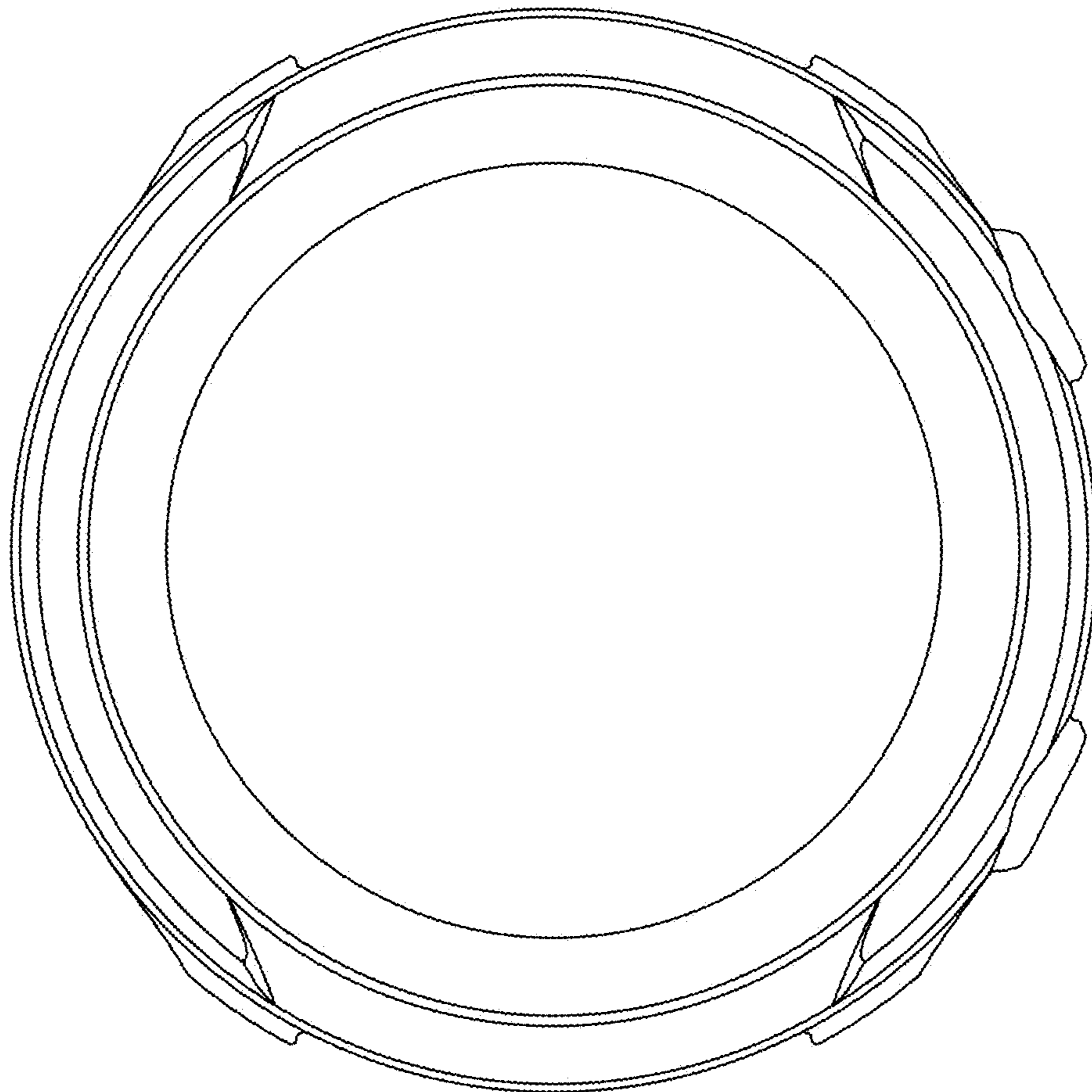


FIG. 8

