



US00D915410S

(12) **United States Design Patent** (10) **Patent No.:** **US D915,410 S**
Akagi et al. (45) **Date of Patent:** **** Apr. 6, 2021**

(54) **DETACHABLE UNIT FOR PORTABLE COMPUTER**

(71) Applicant: **Panasonic Intellectual Property Management Co., Ltd., Osaka (JP)**

(72) Inventors: **Shigefumi Akagi, Osaka (JP); Takehiro Itotani, Osaka (JP)**

(73) Assignee: **Panasonic Intellectual Property Management Co., Ltd., Osaka (JP)**

(**) Term: **15 Years**

(21) Appl. No.: **29/747,626**

(22) Filed: **Aug. 24, 2020**

Related U.S. Application Data

(62) Division of application No. 29/683,115, filed on Mar. 11, 2019, now Pat. No. Des. 898,033.

(30) **Foreign Application Priority Data**

Dec. 20, 2018 (JP) 2018-027855
Dec. 20, 2018 (JP) 2018-027856

(51) **LOC (13) Cl.** **14-02**

(52) **U.S. Cl.**
USPC **D14/439; D14/432**

(58) **Field of Classification Search**
USPC D14/300–302, 308–313, 314, 348,
D14/353–355, 432, 439–446, 240;
361/679.02, 679.31, 679.5, 690, 694,
361/679.23, 801, 802; 312/332.1, 334.1;
D13/162; D10/50
CPC B65H 1/00; B65H 1/266; B65H 2402/441;
B65H 2405/311; B65H 2405/313
See application file for complete search history.

(56) **References Cited**

U.S. PATENT DOCUMENTS

| | | | |
|--------------|---------|-------------------|---------|
| D308,671 S * | 6/1990 | Aderman | D14/445 |
| D556,204 S * | 11/2007 | Tosh | D14/439 |
| D565,573 S | 4/2008 | Alo | D14/435 |
| D742,887 S | 11/2015 | Ignomirello | D14/432 |
| D743,404 S | 11/2015 | Ignomirello | D14/432 |
| D754,665 S | 4/2016 | Zhang | D14/432 |
| D783,623 S | 4/2017 | Crisp | D14/432 |
| D795,877 S | 8/2017 | Barron | D14/432 |
| D870,731 S * | 12/2019 | Kuo | D14/420 |
| D870,732 S * | 12/2019 | Chen | D14/420 |
| D871,414 S | 12/2019 | Fidler | D14/439 |
| D877,636 S * | 3/2020 | Haag | D10/98 |
| D893,494 S * | 8/2020 | Zhong | D14/439 |
| D898,033 S * | 10/2020 | Akagi | D14/439 |

(Continued)

Primary Examiner — Austin Murphy

(74) *Attorney, Agent, or Firm* — Panasonic IP Management; Kerry S. Culpepper

(57) **CLAIM**

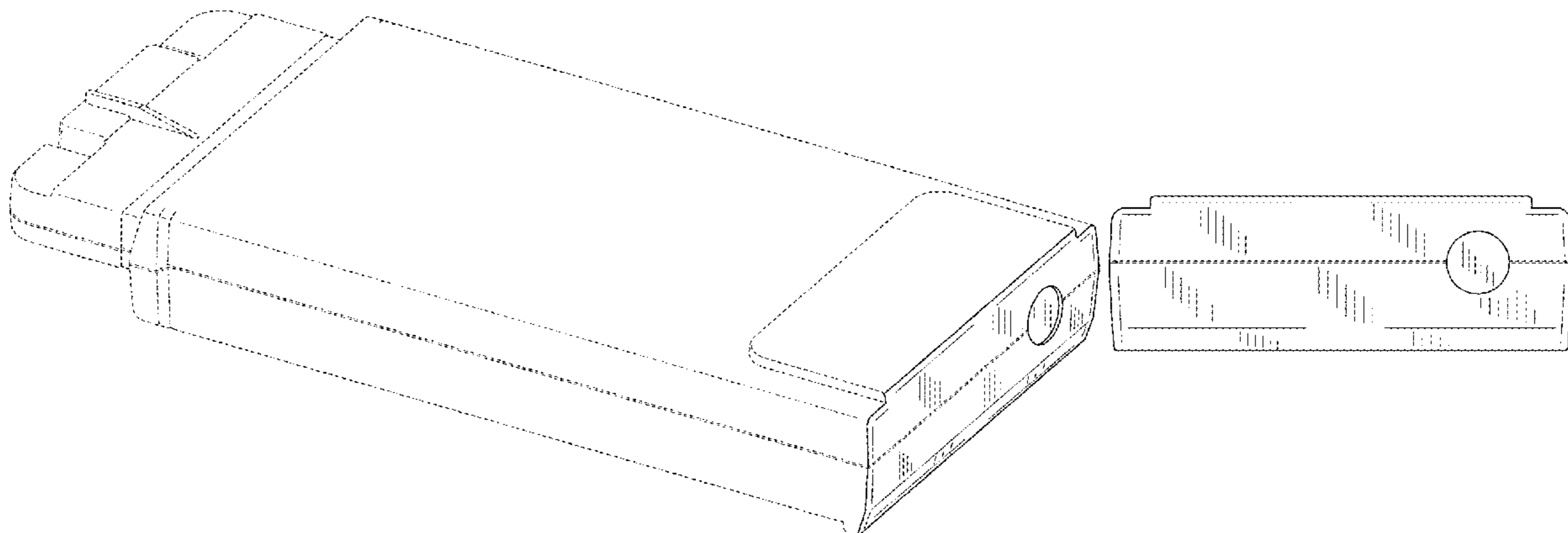
We claim the ornamental design for a detachable unit for portable computer, as shown and described.

DESCRIPTION

FIG. 1 is a front perspective view of a detachable unit for portable computer of the present invention;
FIG. 2 is a front view thereof;
FIG. 3 is a rear view thereof;
FIG. 4 is a first side view thereof;
FIG. 5 is a second side view thereof;
FIG. 6 is a top view thereof;
FIG. 7 is a bottom view thereof; and,
FIG. 8 is a front perspective view thereof shown in an environmental use thereof.

The broken lines shown represent unclaimed subject matter and form no part of the claimed design. Additionally, the unevenly broken lines in the drawings define the limits of the claimed design.

1 Claim, 8 Drawing Sheets



(56)

References Cited

U.S. PATENT DOCUMENTS

D902,930 S * 11/2020 Furujiku D14/432
2007/0087586 A1 * 4/2007 Karamooz H05K 1/141
439/65

* cited by examiner

FIG. 1

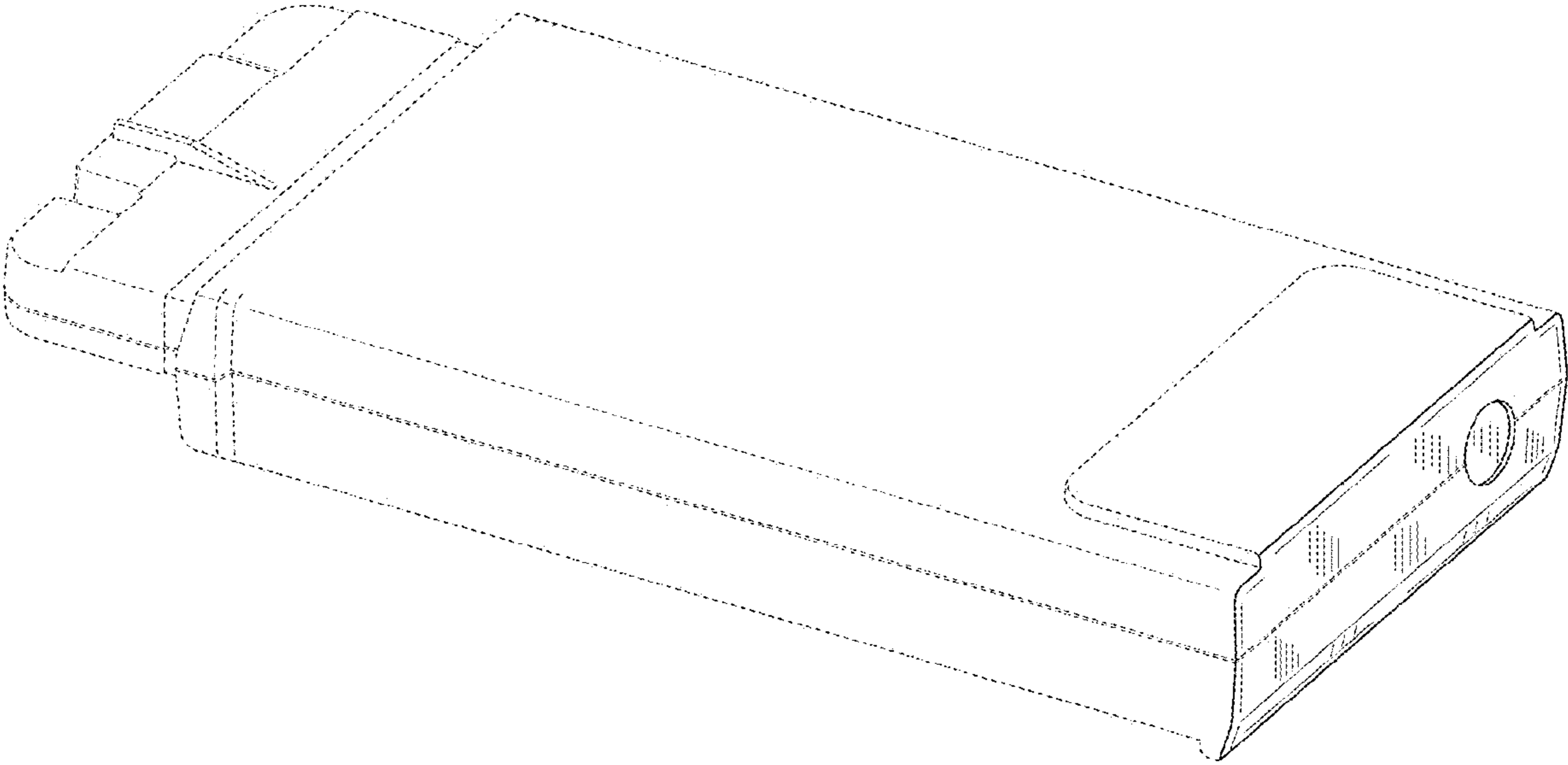


FIG. 2

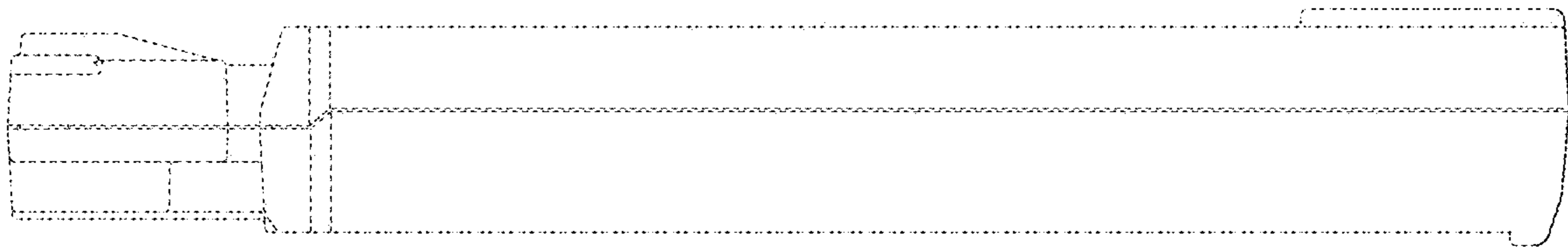


FIG. 3

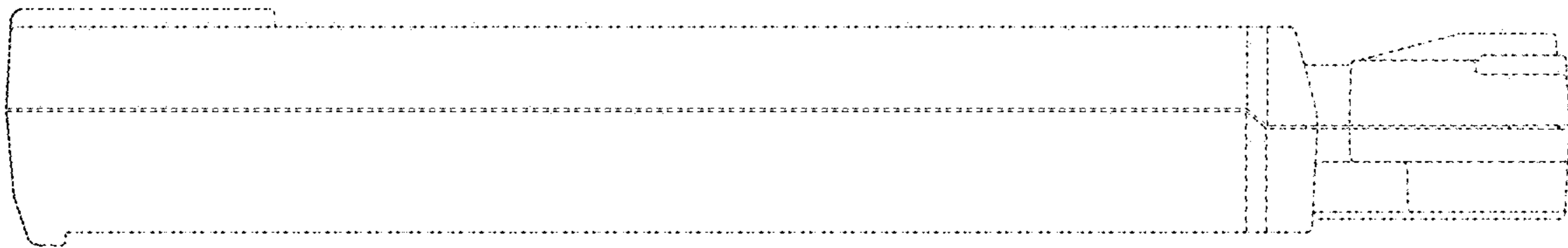


FIG. 4

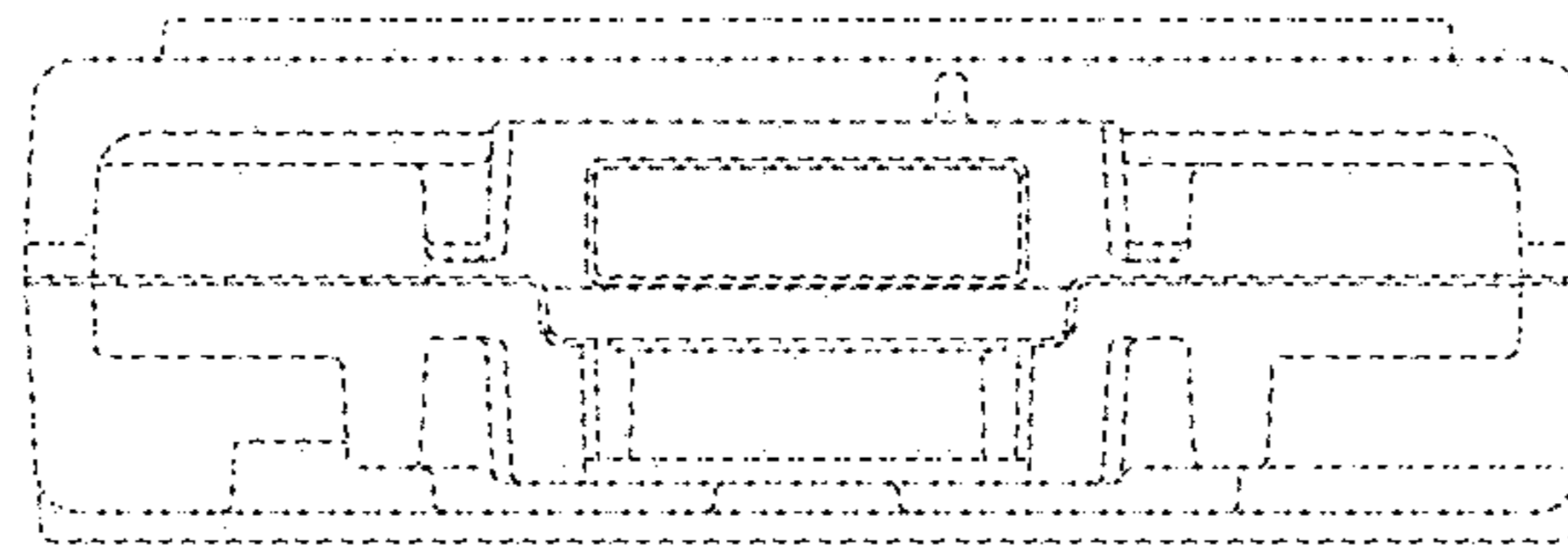


FIG. 5

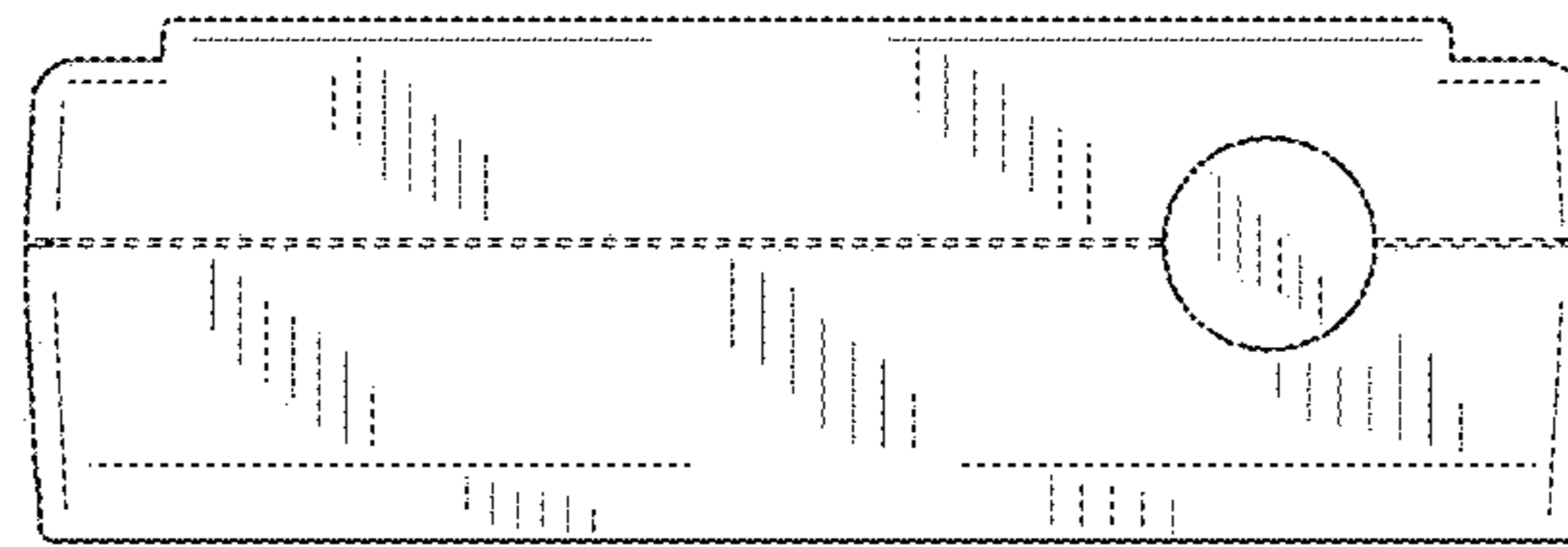


FIG. 6



FIG. 7

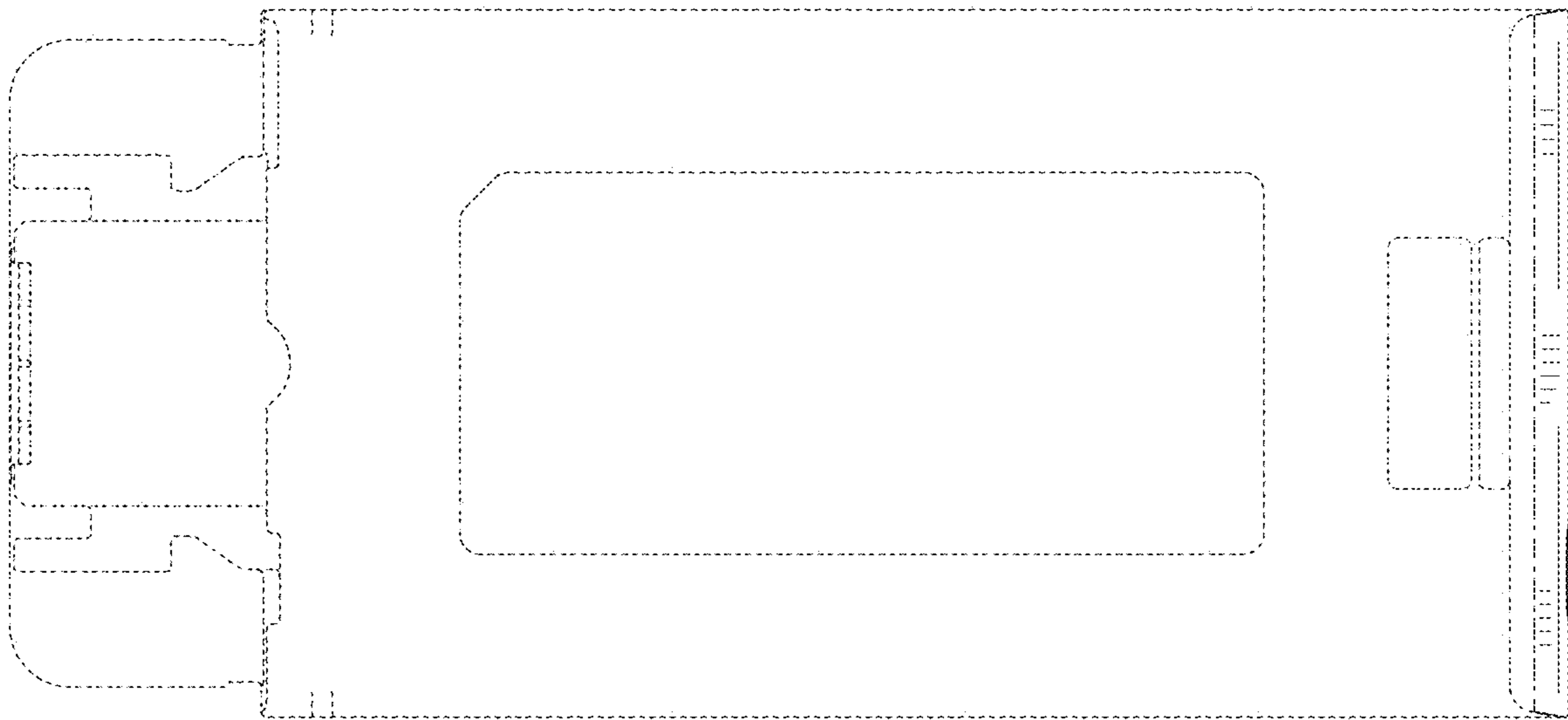


FIG. 8

