



US00D915408S

(12) **United States Design Patent** (10) **Patent No.:** **US D915,408 S**
Zhang (45) **Date of Patent:** **** Apr. 6, 2021**

(54) **CAPTURE CARD**

D878,383 S * 3/2020 McEuen D14/480.5
D885,333 S * 5/2020 von Badinski D13/108
D899,428 S * 10/2020 Shen D14/433

(71) Applicant: **SHENZHEN DONGFANGHONGYE TECHNOLOGY CO., LTD.**, Shenzhen (CN)

OTHER PUBLICATIONS

(72) Inventor: **Longliang Zhang**, Shenzhen (CN)

“Elgato Game Capture H060 S—Stream and Record in 1080p60, for PlayStation 4, Xbox One & Xbox 360”, Retrieved Oct. 29, 2020. Retrieved from Internet, <https://www.amazon.com/Elgato-Gaine-Capture-HD60-PlayStation/dp/B01DRWCOGA/>.

(73) Assignee: **Shenzhen DongFanghongye Technology Co., Ltd.**, Shenzhen (CN)

“Game Capture Card, 4K HDMI to USB 3.0 HD Video Audio Capture Device 1080P 60FPS Game Box Recorder, HDMI Camera Video Conferencing, Live Streaming for Windows, Linux, OS X System, PS4/Switch (Black)”, Retrieved Oct. 29, 2020. Retrieved from Internet, <https://www.amazon.com/dp/B08BRT5QYX/>.

(**) Term: **15 Years**

“Audio Video Capture Cards—HDMI to USB 2.0 Record Card Output High Definition 1080P/30Hz, Record via DLSR, Action Cam and PC for Gaming Streaming Live Broadcasting Teaching”, Retrieved Oct. 29, 2020. Retrieved from Internet, <https://www.amazon.com/Audio-Video-Capture-Cards-Broadcasting/dp/B08C9K1KSR/ref>.

(21) Appl. No.: **29/756,510**

(22) Filed: **Oct. 29, 2020**

(51) **LOC (13) Cl.** **14-02**

(52) **U.S. Cl.**
USPC **D14/433**

(58) **Field of Classification Search**
USPC D14/240, 242, 356, 358, 363, 365, 367, D14/370, 432–437, 439, 498, 125, 366, D14/168, 496; D13/147, 164, 123, 133, D13/146, 110, 199, 103, 162, 159, 160, D13/184; 361/683, 684, 686, 724, 735, 361/737, 752; D18/40
CPC H01R 25/006; H01R 27/02; H01R 31/005; G06F 13/4022; G06F 13/382; G06F 1/1632; G06F 1/1684; G06F 1/20; G06F 1/1607

See application file for complete search history.

* cited by examiner

Primary Examiner — Austin Murphy

(56) **References Cited**

U.S. PATENT DOCUMENTS

D470,499 S * 2/2003 Salazar A01K 11/004 D14/433
D579,934 S * 11/2008 Okamoto D14/435.1
D601,093 S * 9/2009 Wu D13/147
D730,904 S * 6/2015 Liu D14/433
D736,702 S * 8/2015 Ovadia D13/108
D741,865 S * 10/2015 Sundermeyer D14/433
D782,483 S * 3/2017 Patel D14/433
D788,111 S * 5/2017 Ji D14/433
D797,747 S * 9/2017 Xu D14/433

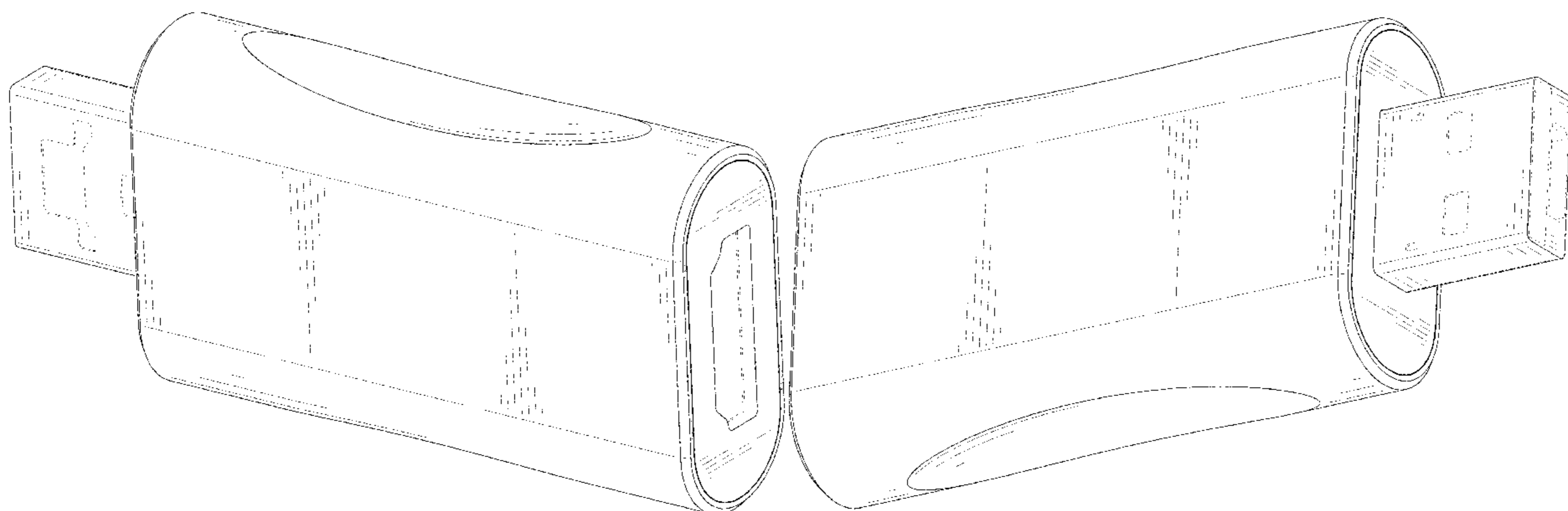
(57) **CLAIM**

The ornamental design for a capture card, as shown and described.

DESCRIPTION

FIG. 1 is a perspective view of a capture card showing my new design;
FIG. 2 is another perspective view thereof;
FIG. 3 is a front elevational view thereof;
FIG. 4 is a rear elevational view thereof;
FIG. 5 is a left side elevational view thereof;
FIG. 6 is a right side elevational view thereof;
FIG. 7 is a top plan view thereof; and,
FIG. 8 is a bottom plan view thereof.
The broken lines in the drawings depict portions of the capture card that form no part of the claimed design.

1 Claim, 8 Drawing Sheets



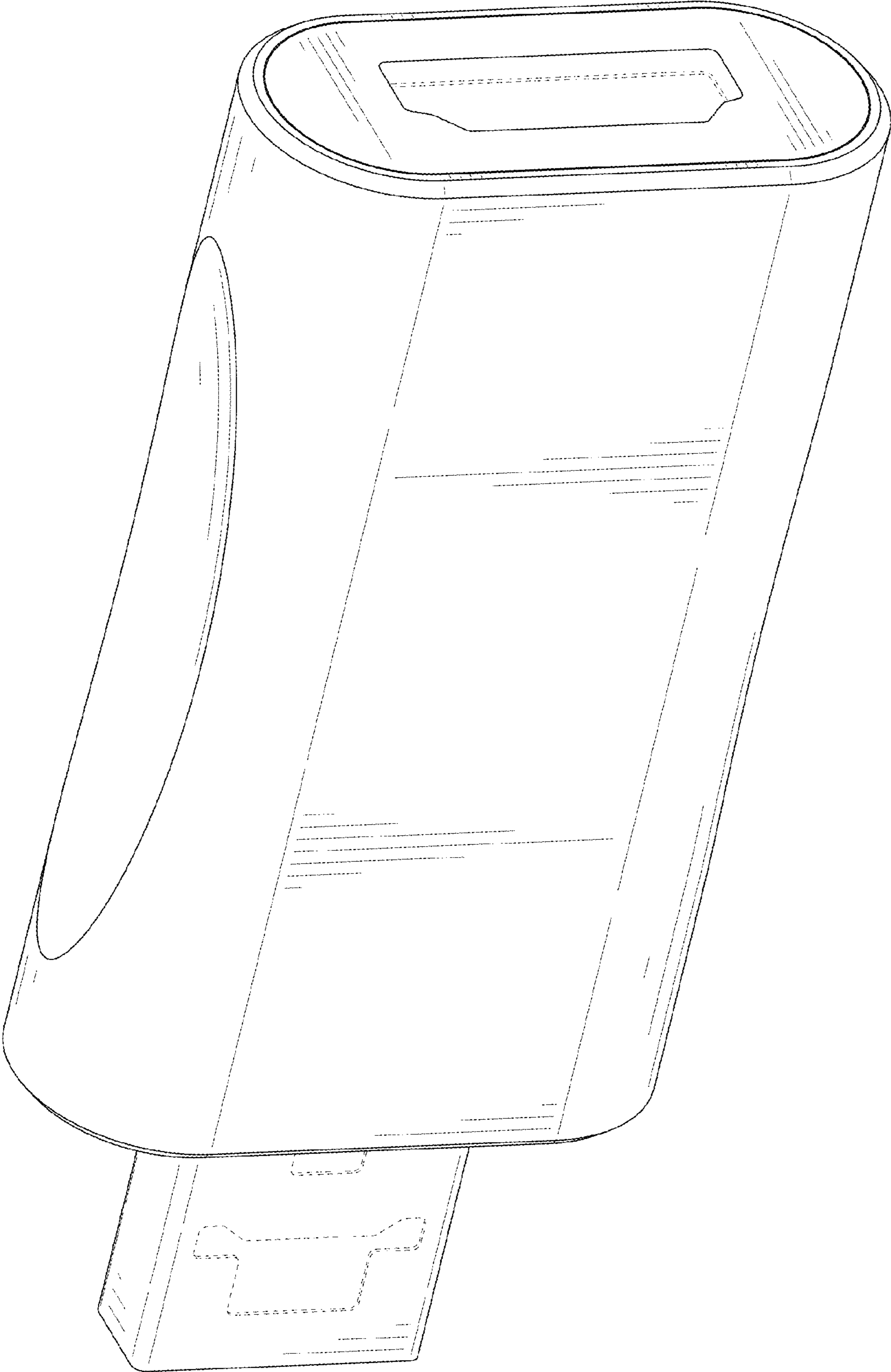


FIG. 1

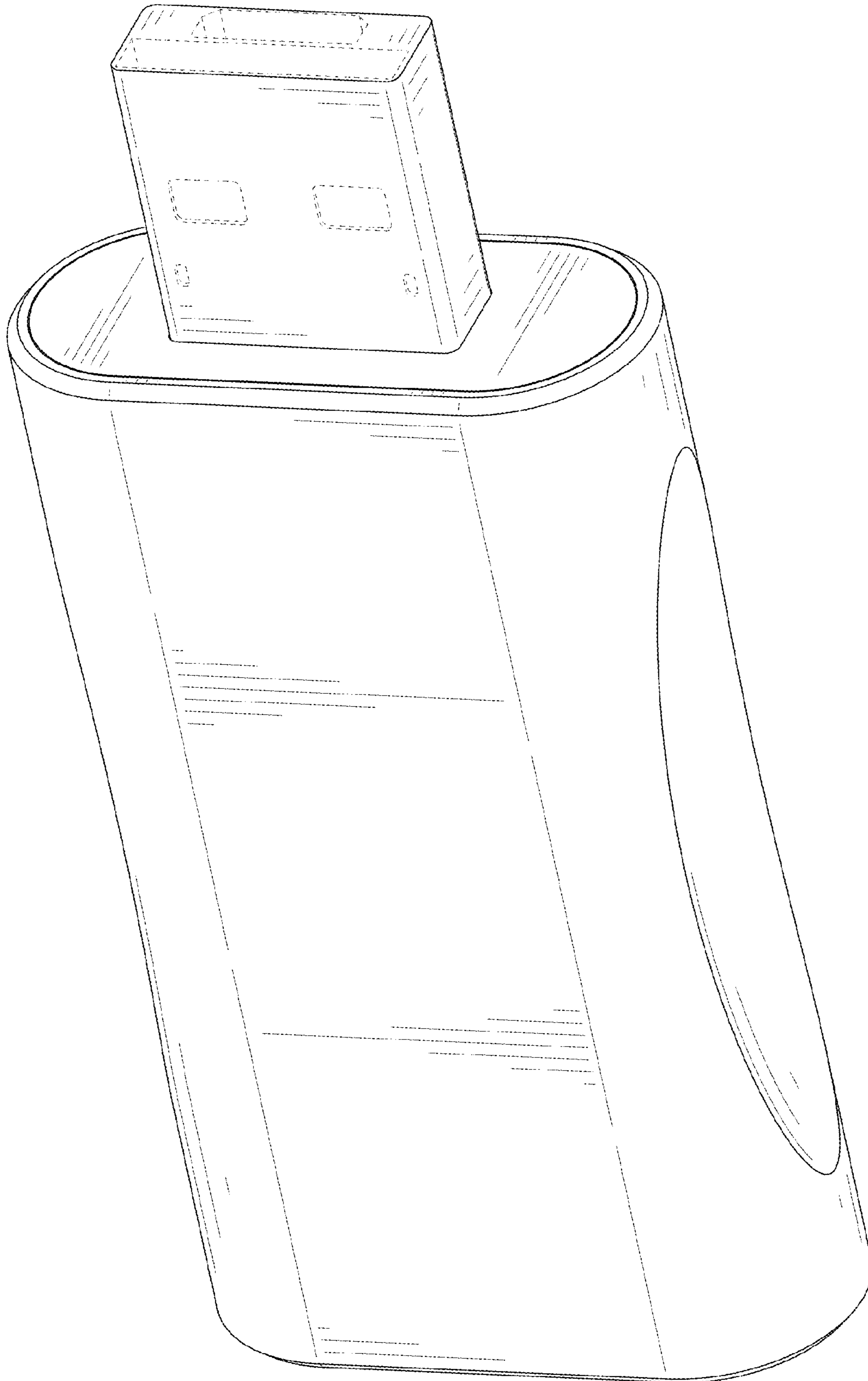


FIG. 2

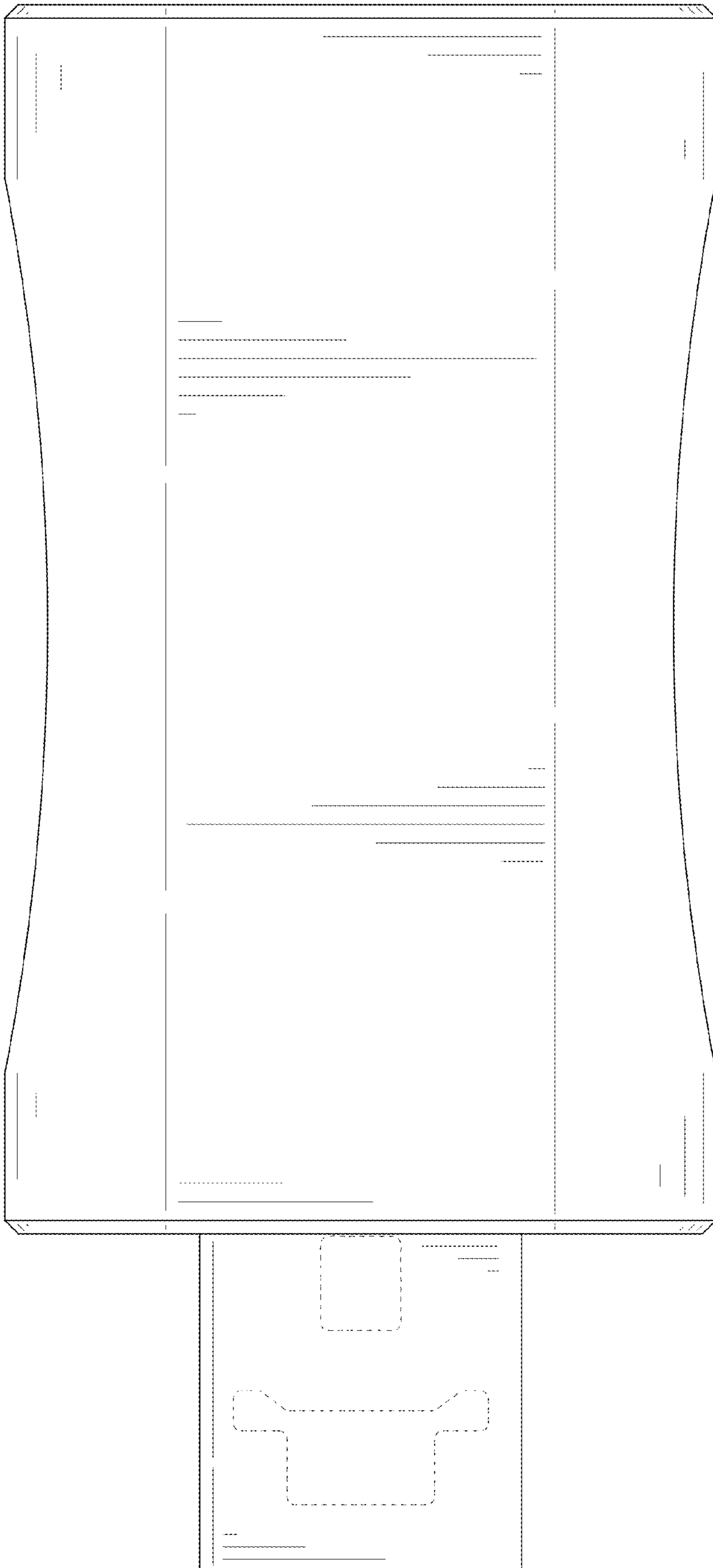


FIG. 3

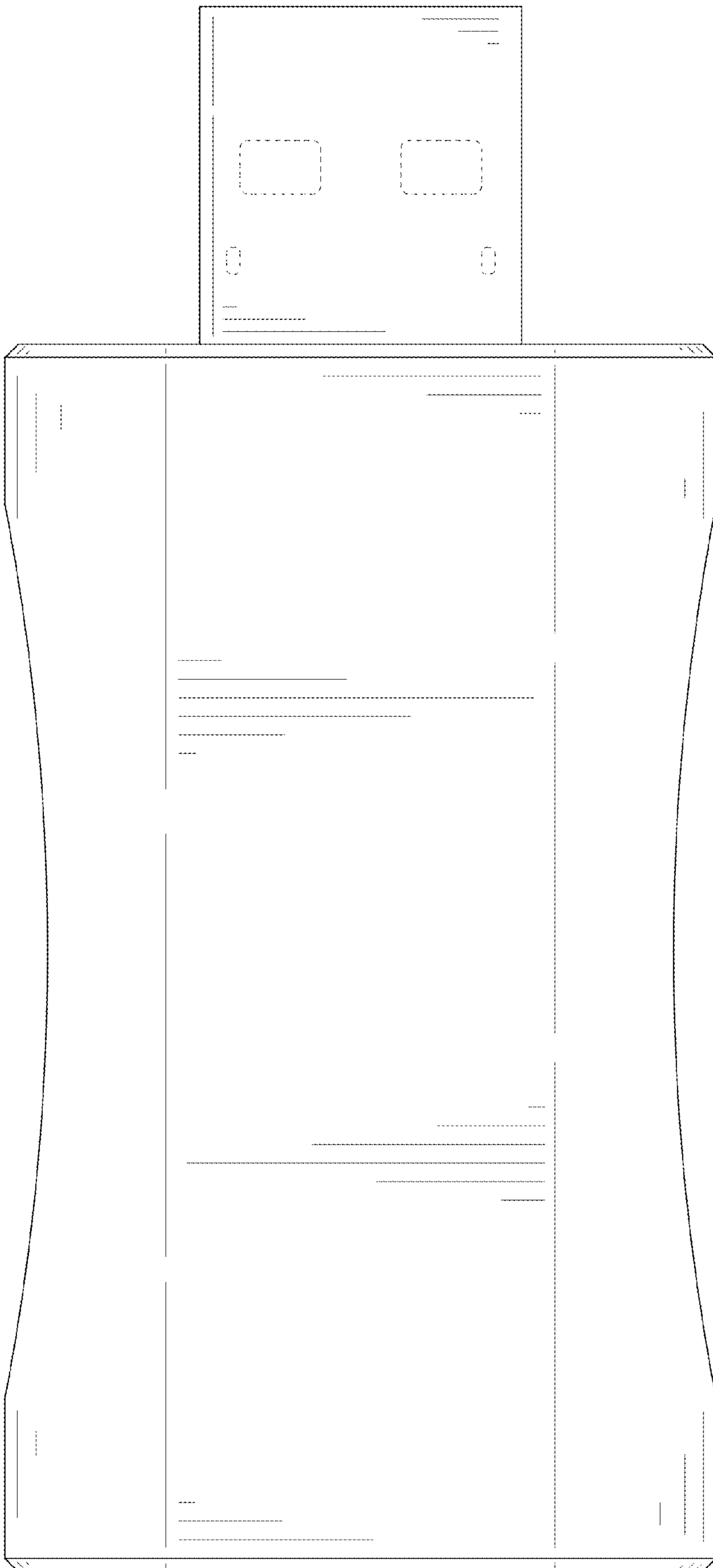


FIG. 4

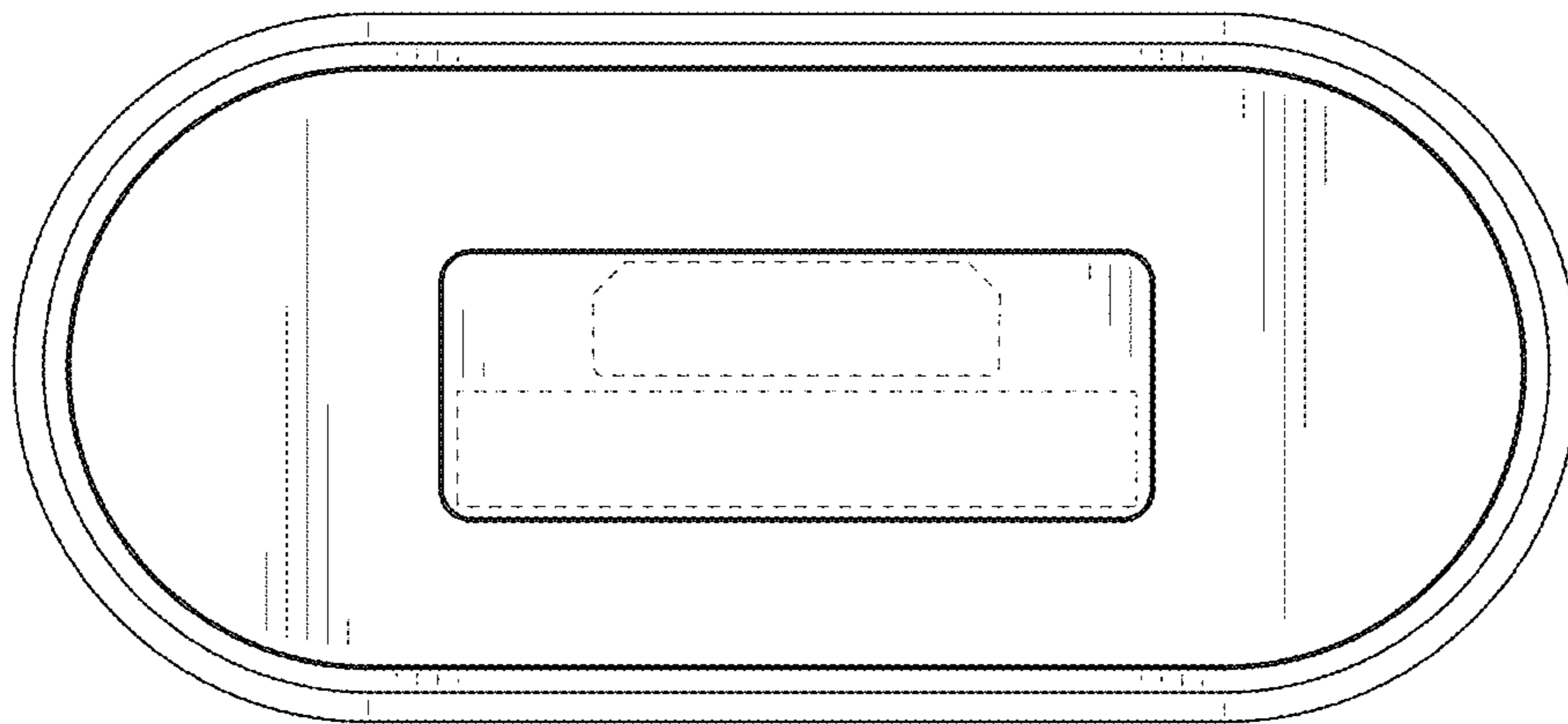


FIG. 5

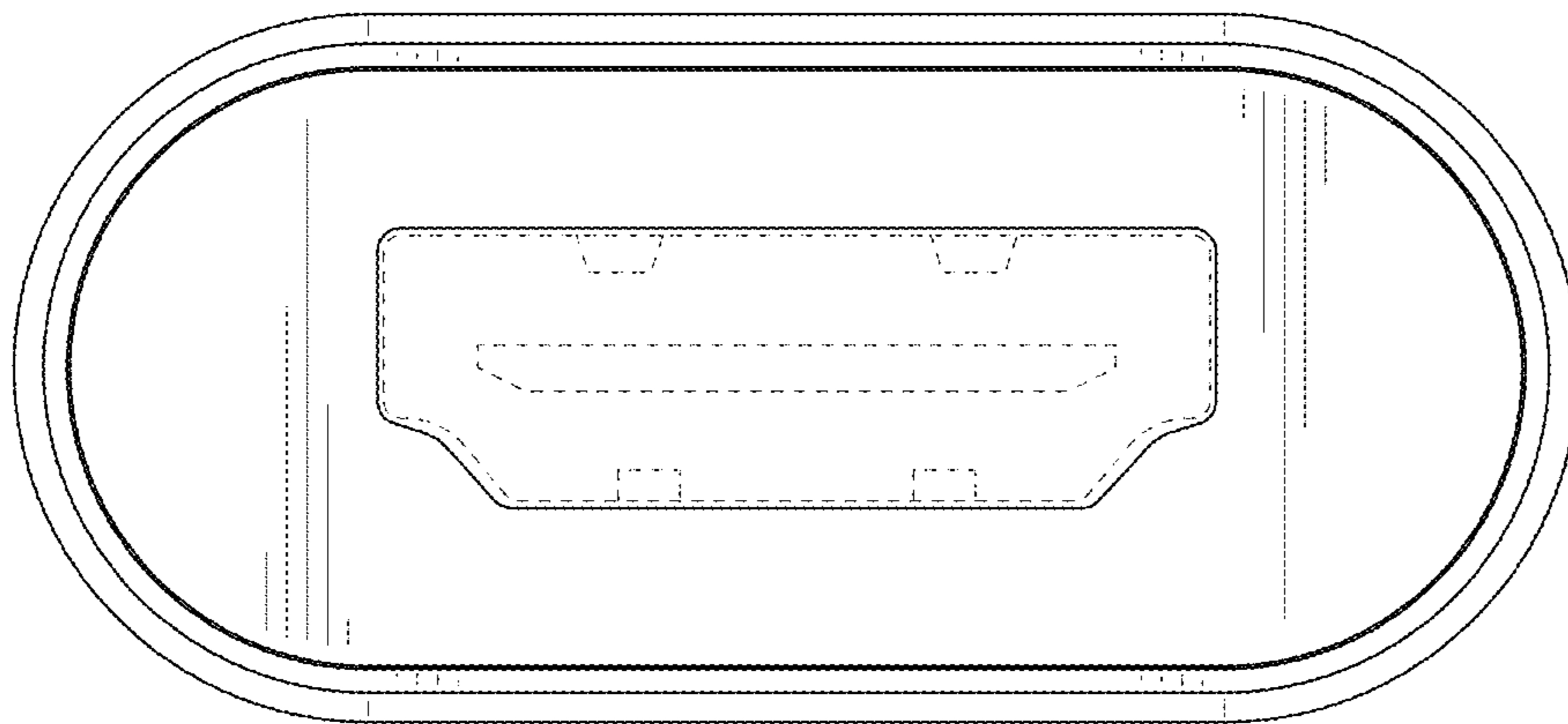


FIG. 6

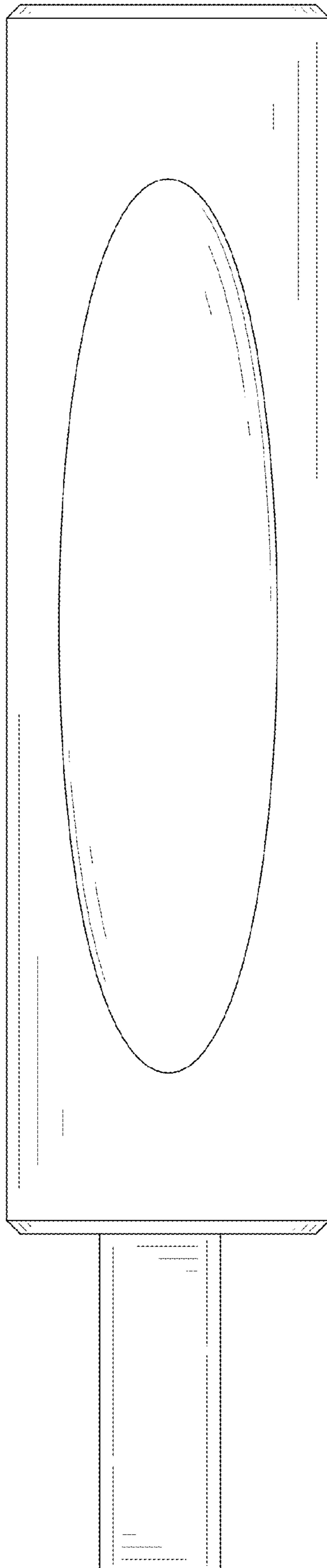


FIG. 7

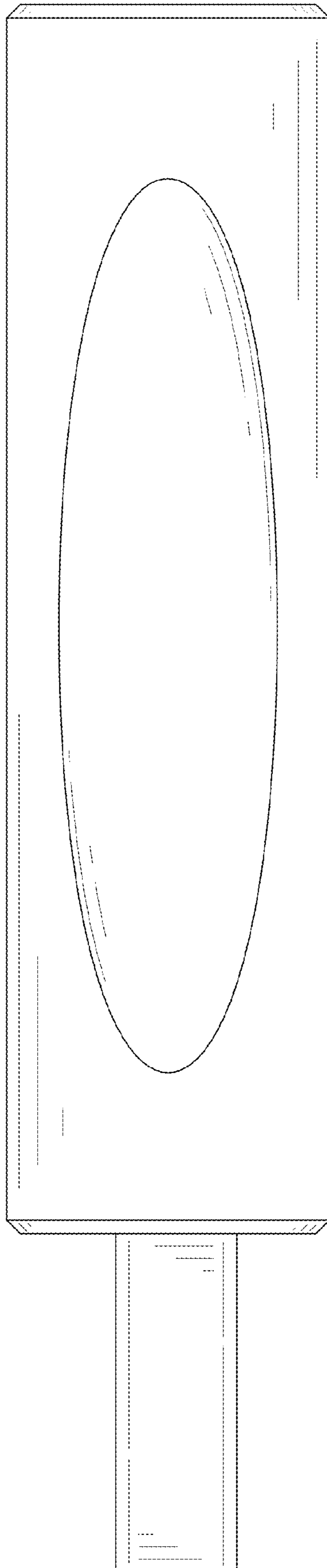


FIG. 8