



US00D915404S

(12) **United States Design Patent** (10) **Patent No.:** **US D915,404 S**  
**Lai** (45) **Date of Patent:** **\*\* Apr. 6, 2021**

(54) **STYLUS PEN**

(71) Applicant: **Haibo Lai**, Puning (CN)

(72) Inventor: **Haibo Lai**, Puning (CN)

(\*\*) Term: **15 Years**

(21) Appl. No.: **29/759,567**

(22) Filed: **Nov. 24, 2020**

(51) **LOC (13) Cl.** ..... **14-02**

(52) **U.S. Cl.**  
USPC ..... **D14/411**

(58) **Field of Classification Search**  
USPC ..... D14/372, 496, 432, 371, 125, 126, 129,  
D14/299, 411; D16/300-342; 351/158,  
351/153, 144; 345/7-9, 905; 455/344;  
348/115, 53, 121, 739  
CPC ..... G02B 27/017; G06F 3/016; G06F 3/033;  
G06F 3/0317; G06F 3/03545; G06F  
3/041; G06K 9/222

See application file for complete search history.

(56) **References Cited**

**U.S. PATENT DOCUMENTS**

D509,850 S	9/2005	Bhavnani	
D554,182 S	10/2007	Cetera	
D641,755 S *	7/2011	Rashid	D14/411
D670,701 S	11/2012	Lim et al.	
D681,113 S *	4/2013	Huang	D19/185
D688,665 S *	8/2013	Huang	D14/411
D710,853 S	8/2014	Koenig et al.	
D777,726 S	1/2017	Nishizawa	

D825,566 S *	8/2018	Peterson	D14/411
D863,436 S *	10/2019	Thies	D19/186
D864,298 S *	10/2019	Li	D19/177
D879,778 S *	3/2020	Nakajima	D14/411
D892,118 S	8/2020	Yeo et al.	
D892,800 S	8/2020	Xu	
D894,902 S *	9/2020	Nishida	D14/411
D896,810 S *	9/2020	Akana	D14/411
D908,703 S *	1/2021	Huang	D14/411
D909,379 S *	2/2021	Liu	D14/411
D909,380 S *	2/2021	Liu	D14/411

\* cited by examiner

*Primary Examiner* — Austin Murphy

(74) *Attorney, Agent, or Firm* — Rumit Ranjit Kanakia

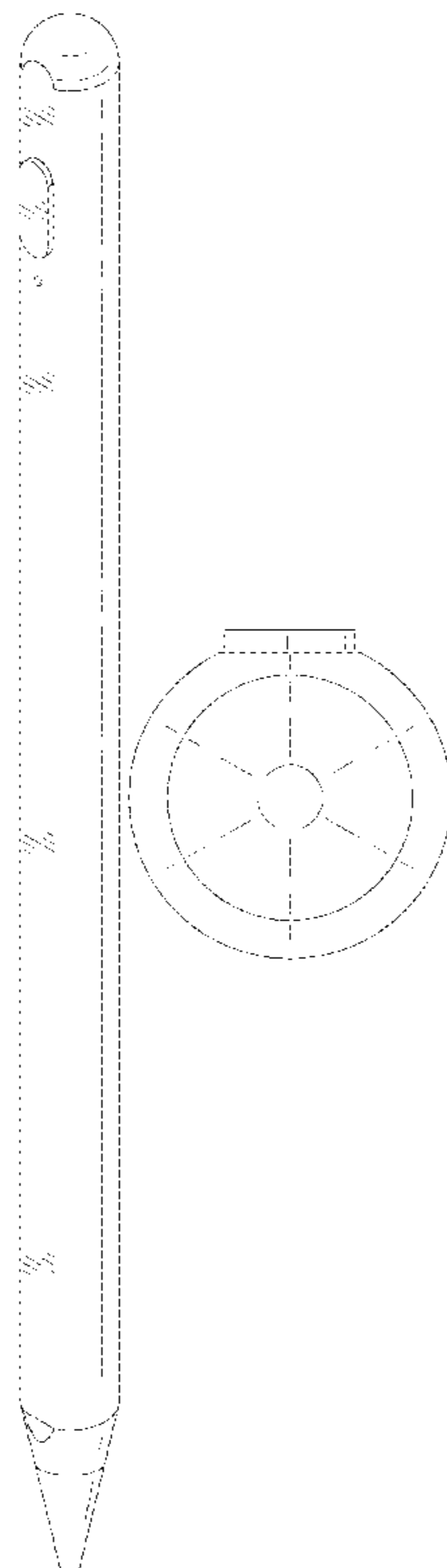
(57) **CLAIM**

I claim the ornamental design for a stylus pen, as shown and described.

**DESCRIPTION**

FIG. 1 is a Perspective view of a stylus pen showing my new design in open position;  
 FIG. 2 is Front view thereof;  
 FIG. 3 is Back view thereof;  
 FIG. 4 is a Right-side view thereof;  
 FIG. 5 is a Left-side view thereof;  
 FIG. 6 is a Top view thereof; and,  
 FIG. 7 is a Bottom view thereof.  
 The broken lines in the drawings depict portions of the stylus pen that form no part of the claimed design.

**1 Claim, 4 Drawing Sheets**



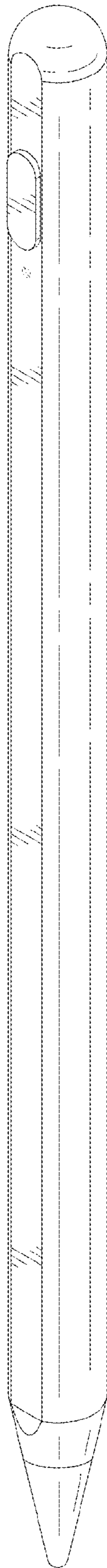


FIG. 1

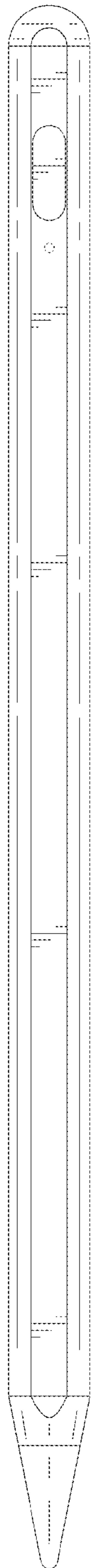


FIG. 2

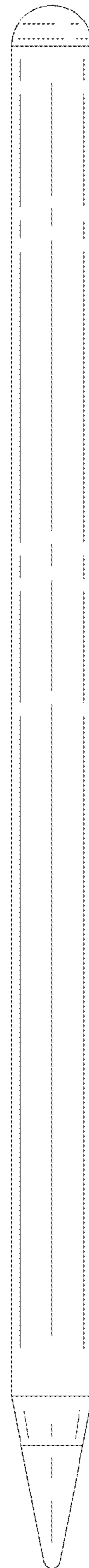


FIG. 3

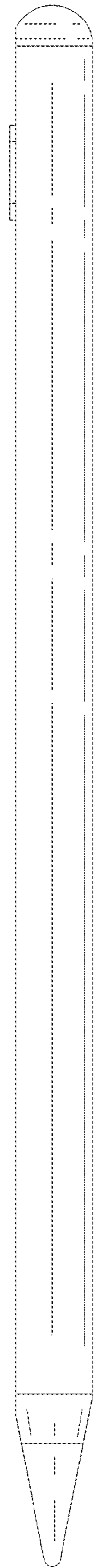


FIG. 4

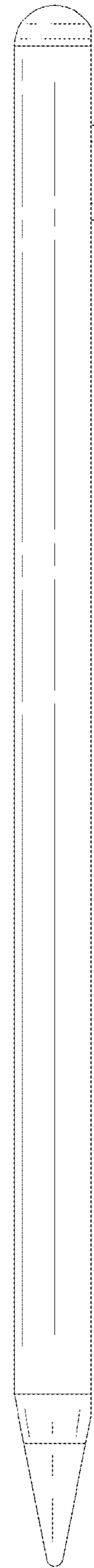


FIG. 5

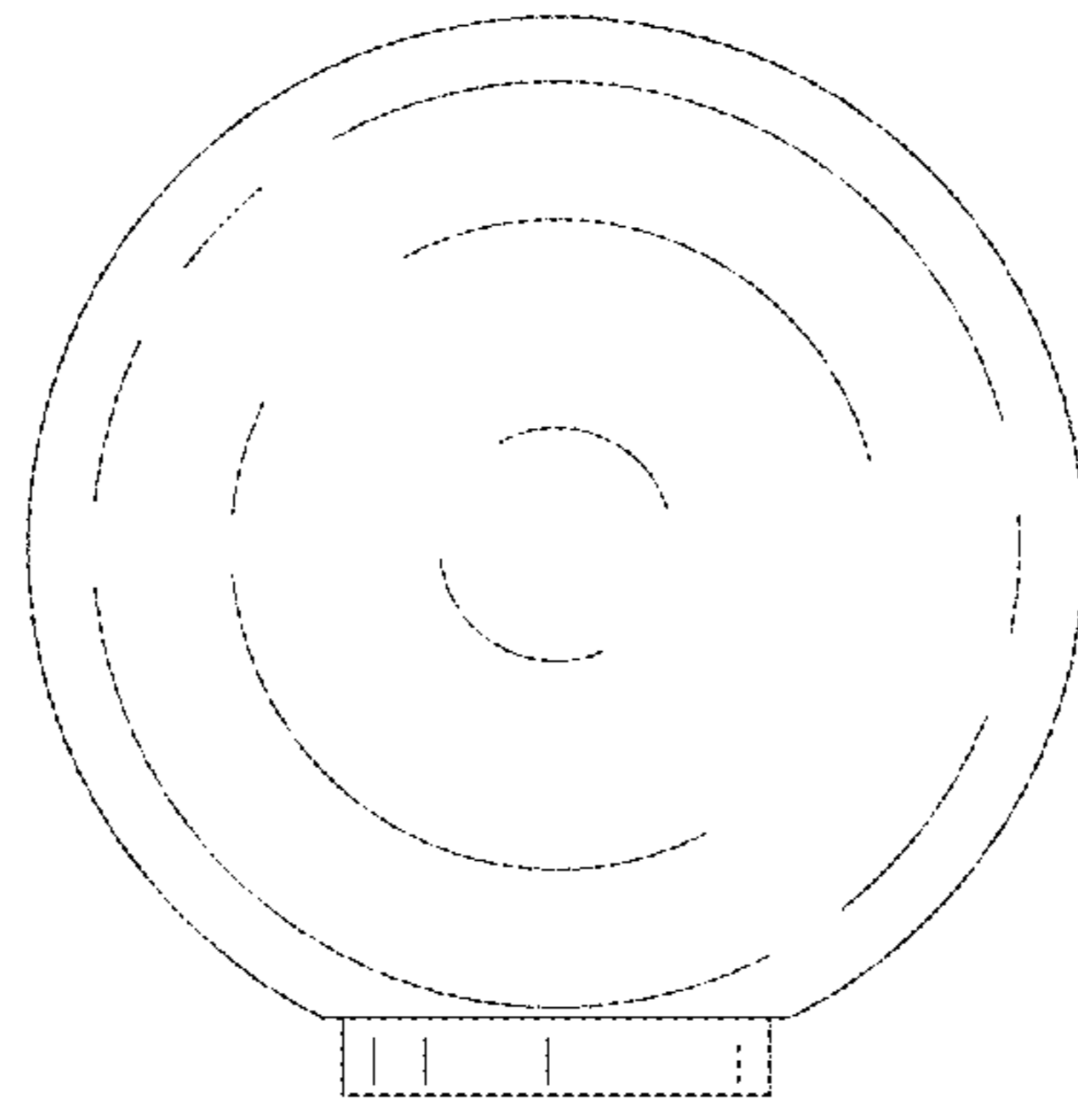


FIG. 6

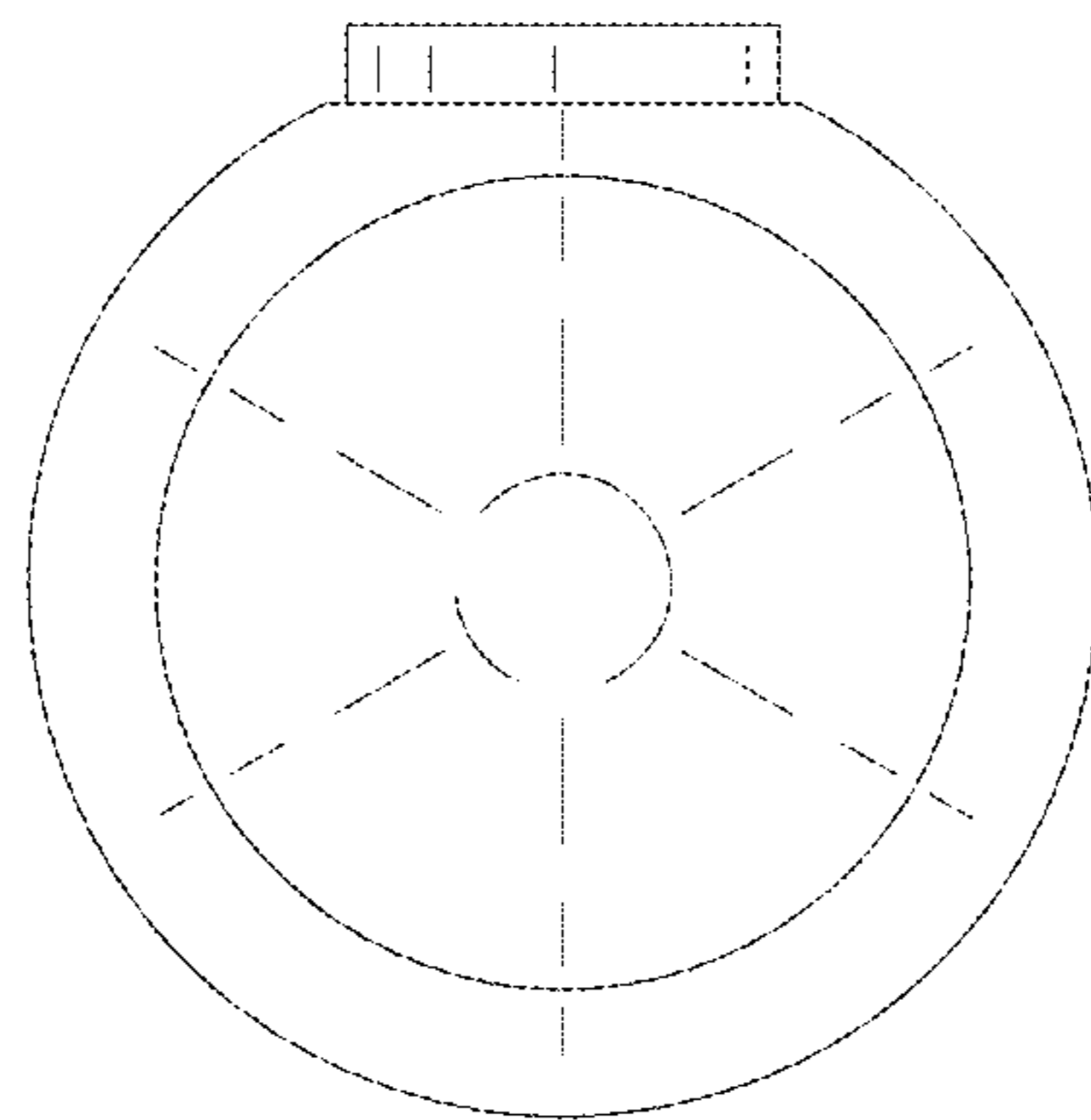


FIG. 7