



US00D915403S

(12) **United States Design Patent** (10) **Patent No.:** **US D915,403 S**
Iasso et al. (45) **Date of Patent:** **** Apr. 6, 2021**

(54) **MOBILE BIOMETRIC COLLECTION DEVICE**

(71) Applicant: **InCadence Strategic Solutions Corporation**, Manassas, VA (US)

(72) Inventors: **Anthony S. Iasso**, Middleburg, VA (US); **Daniel Iasso**, Towaco, NJ (US); **John P. McIntyre**, Stephens City, VA (US); **Ashley Thompson**, Warrenton, VA (US)

(73) Assignee: **INCADENCE STRATEGIC SOLUTIONS CORPORATION**, Manassas, VA (US)

(**) Term: **15 Years**

(21) Appl. No.: **29/652,223**

(22) Filed: **Jun. 16, 2020**

Related U.S. Application Data

(62) Division of application No. 29/664,794, filed on Sep. 27, 2018, now Pat. No. Des. 890,753.

(51) **LOC (13) Cl.** **14-02**

(52) **U.S. Cl.**
USPC **D14/384**; D14/383

(58) **Field of Classification Search**
USPC D14/300–302, 313, 314, 341, 348–370, D14/383, 385, 432, 436, 496, 125, 135, D14/134, 155, 167, 168, 230, 231, 233, D14/235, 237, 240–242, 299; D10/65, D10/75, 78; D13/103, 149, 162, 184, D13/199; D18/4.4–4.6, 12.1, 56; 361/679.31–679.45, 752; 711/100, 115; 382/115, 124; 356/71; 235/380, 461, 235/382, 472.01, 472.02; D3/201, 273
CPC G06K 9/00006; G06K 7/0013; G06K 9/00026; G06F 21/00; G06Q 30/00
See application file for complete search history.

(56) **References Cited**

U.S. PATENT DOCUMENTS

D478,905 S 8/2003 Byrne et al.
D511,113 S * 11/2005 Feldman D10/104.1
D516,069 S * 2/2006 Kuroda D14/384
D522,510 S 6/2006 Su
D542,291 S 5/2007 Kang et al.
D593,559 S 6/2009 Lin et al.

(Continued)

OTHER PUBLICATIONS

BioSled. Data Sheet [online]. Northrop Grumman Systems Corporation, 2015. Retrieved from the Internet: <URL: http://www.northropgrumman.com/Capabilities/BioSled/Documents/BioSled_datasht.pdf>.

(Continued)

Primary Examiner — Austin Murphy

(74) *Attorney, Agent, or Firm* — Grüneberg and Myers, PLLC

(57) **CLAIM**

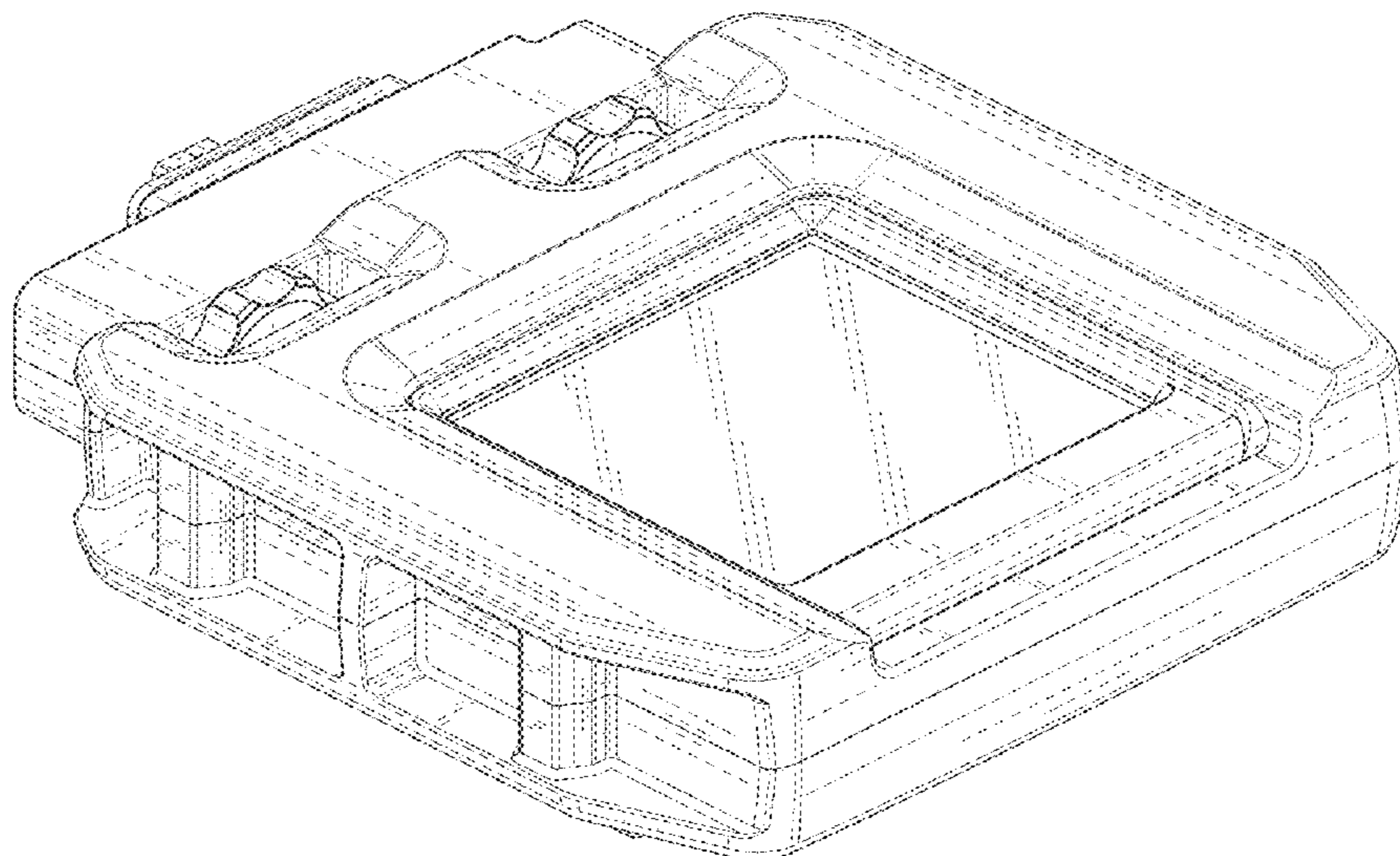
The ornamental design for a mobile biometric collection device, as shown and described.

DESCRIPTION

FIG. 1 is a bottom front perspective view of a first embodiment of a mobile biometric collection device; FIG. 2 is a front elevational view thereof; FIG. 3 is a rear elevational view thereof; FIG. 4 is a left side elevational view thereof; FIG. 5 is a right side elevational view thereof; FIG. 6 is a top plan view thereof; FIG. 7 is a bottom plan view thereof; and, FIG. 8 is a bottom front perspective view thereof showing broken-line environmental items in use with the mobile biometric collection device.

The broken lines in the figures show environmental structure, and form no part of the claimed design.

1 Claim, 6 Drawing Sheets



(56)

References Cited

U.S. PATENT DOCUMENTS

D613,255	S *	4/2010	Paul	D13/162
D691,968	S *	10/2013	Schmuckle	D13/162
D741,862	S	10/2015	Beroukhim et al.	
D766,900	S	9/2016	Beroukhim et al.	
D785,623	S	5/2017	Kaiya et al.	
D791,133	S *	7/2017	Brownlee	D14/384
D797,682	S *	9/2017	Sharp	D13/162
D808,908	S *	1/2018	Paul	D13/162
D810,948	S	2/2018	Wielunski et al.	
10,069,284	B1 *	9/2018	Paul	H02B 1/44
D838,238	S *	1/2019	Wu	D13/102
D838,271	S *	1/2019	Kaneko	D14/384
D853,973	S *	7/2019	Sharp	D13/162
D864,200	S	10/2019	Holman, IV et al.	
D890,753	S *	7/2020	Iasso	D14/384
2003/0057956	A1	3/2003	Iasso et al.	
2005/0139682	A1	6/2005	Iasso et al.	
2018/0219992	A1	8/2018	Iasso et al.	

OTHER PUBLICATIONS

BioSled. Technical Specifications [online]. Northrop Grumman Systems Corporation, 2015. Retrieved from the Internet: <URL: http://www.northropgrumman.com/MediaResources/MediaKits/WEST/Documents/BioSled_specsheet.pdf>.

Tascent M6. Data Sheet [online]. Tascent, Inc., 2018 [retrieved Oct. 17, 2018]. Retrieved from the Internet: <URL: <https://tascent.com/products-services/tascent-m6/>>.

Tascent Mobile, Data Sheet [online]• Tascent, Inc., 2016. Retrieved from the Internet: <URL: www.tascent.com>.

Tascent MX. Data Sheet [online]. Tascent, Inc., 2018 [retrieved Oct. 17, 2018]. Retrieved from the Internet: <URL: <https://tascent.com/products-services/tascent-mx/>>.

Trident. Product sheet [online]. Credence ID, LLC, 2014. Retrieved from the Internet: <URL: <https://credenceid.com>>.

* cited by examiner

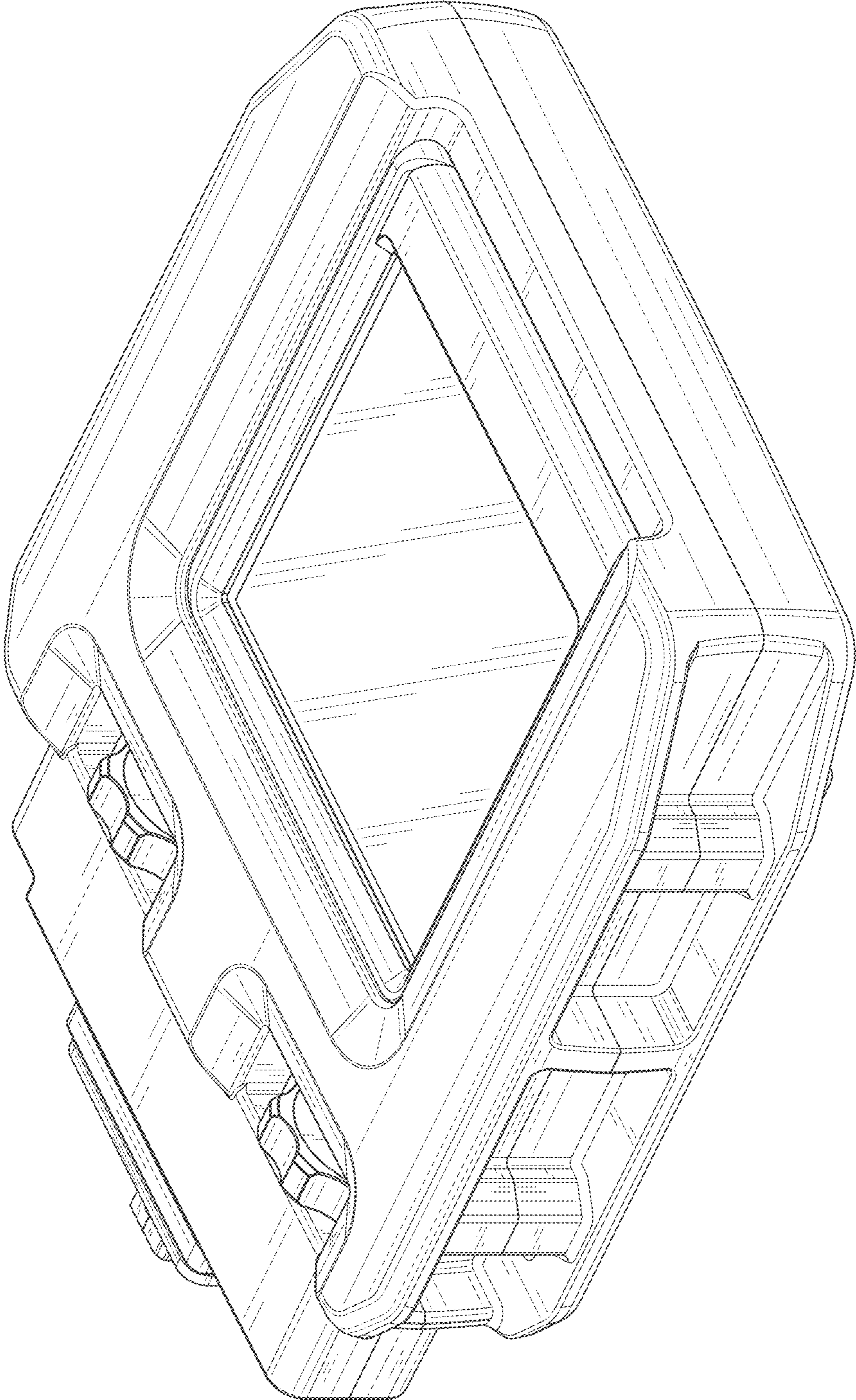


FIG. 1

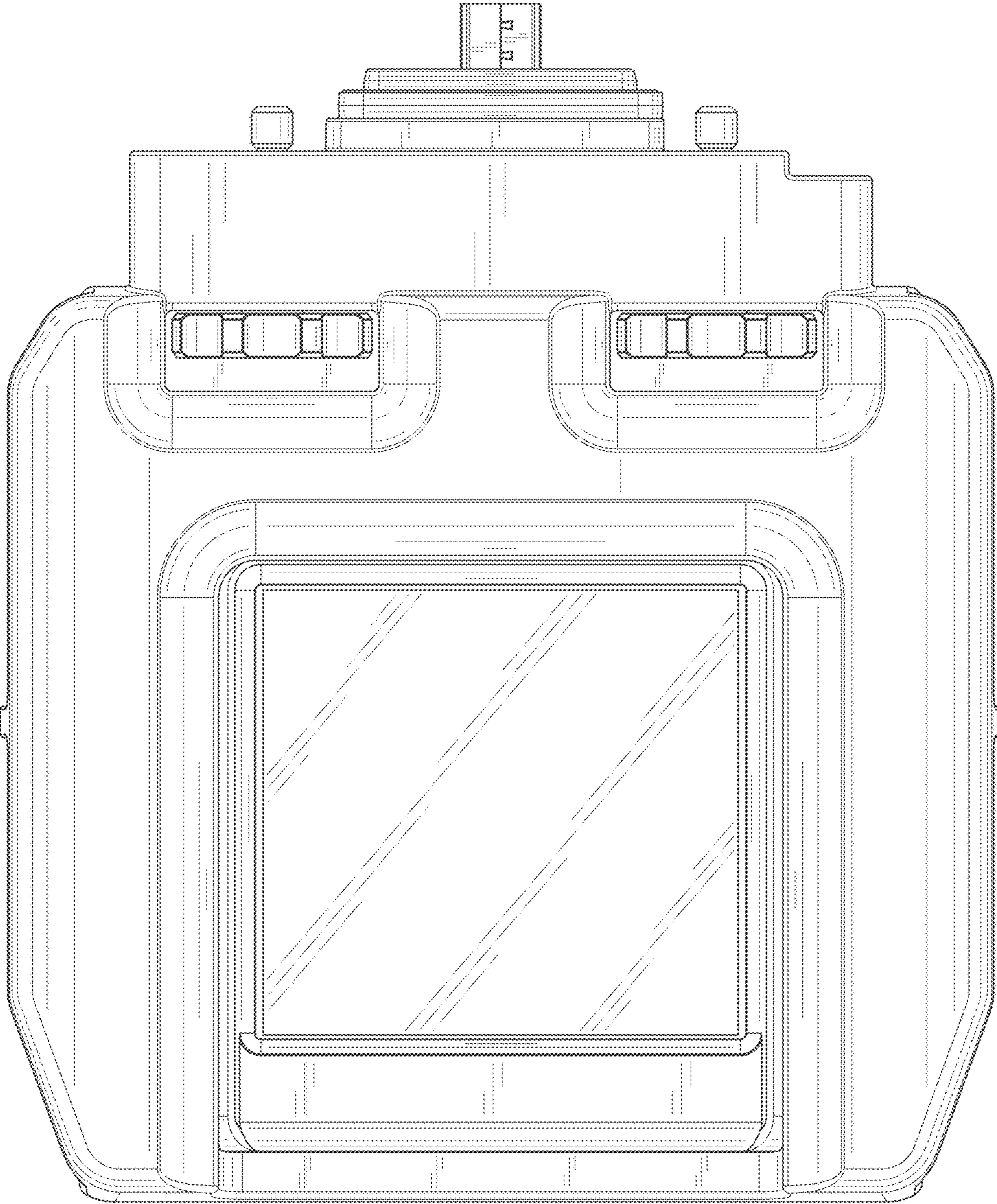


FIG. 2

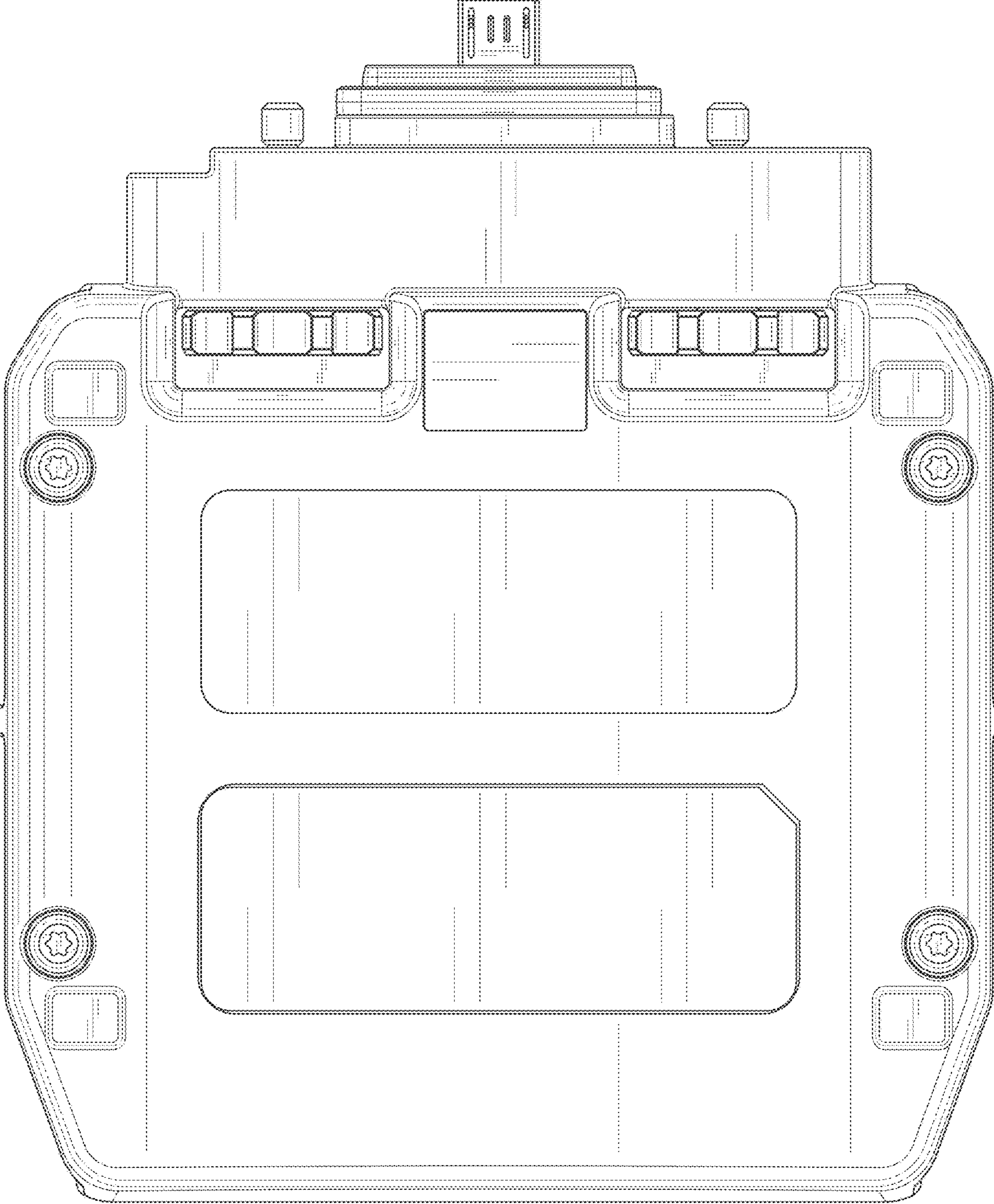


FIG. 3

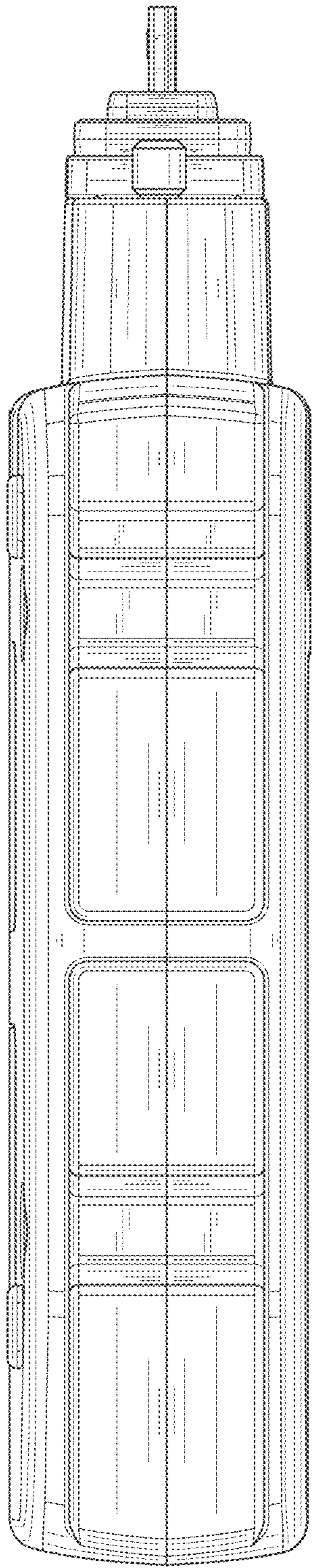


FIG. 4

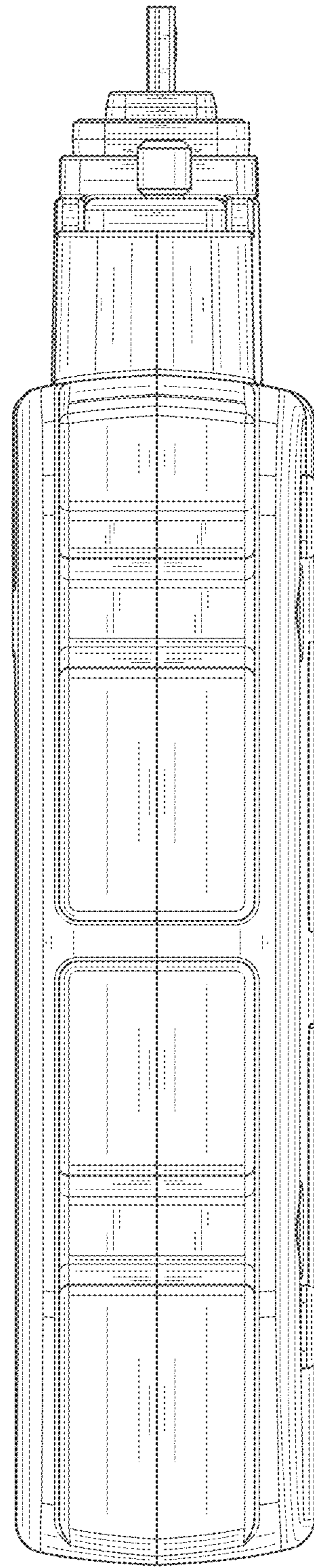


FIG. 5

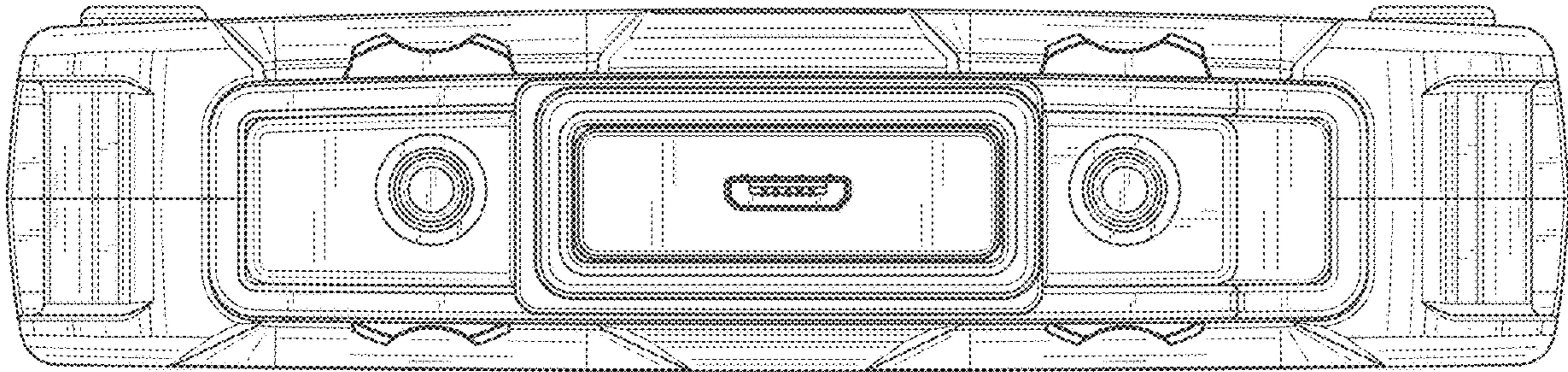


FIG. 6

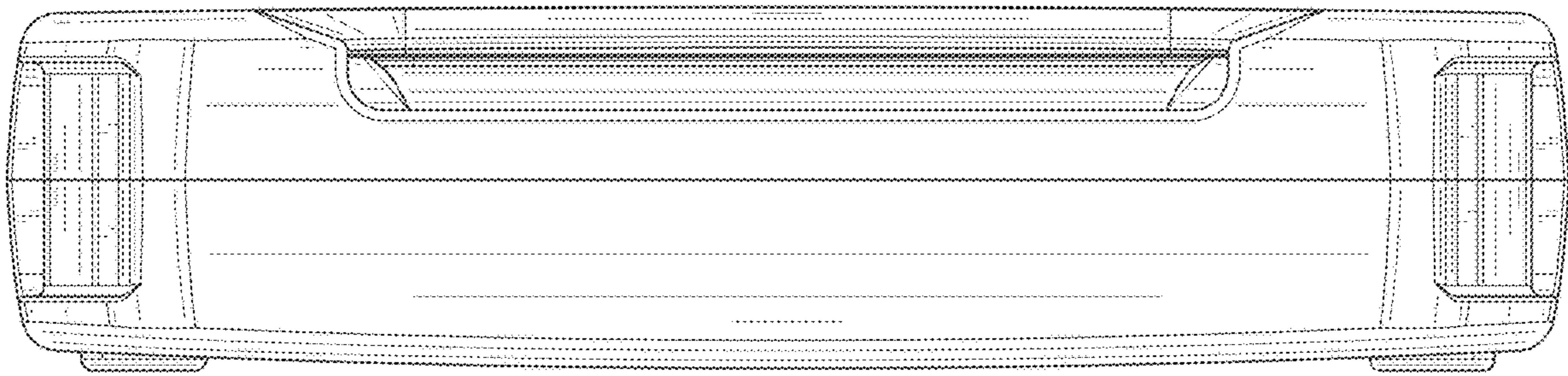


FIG. 7

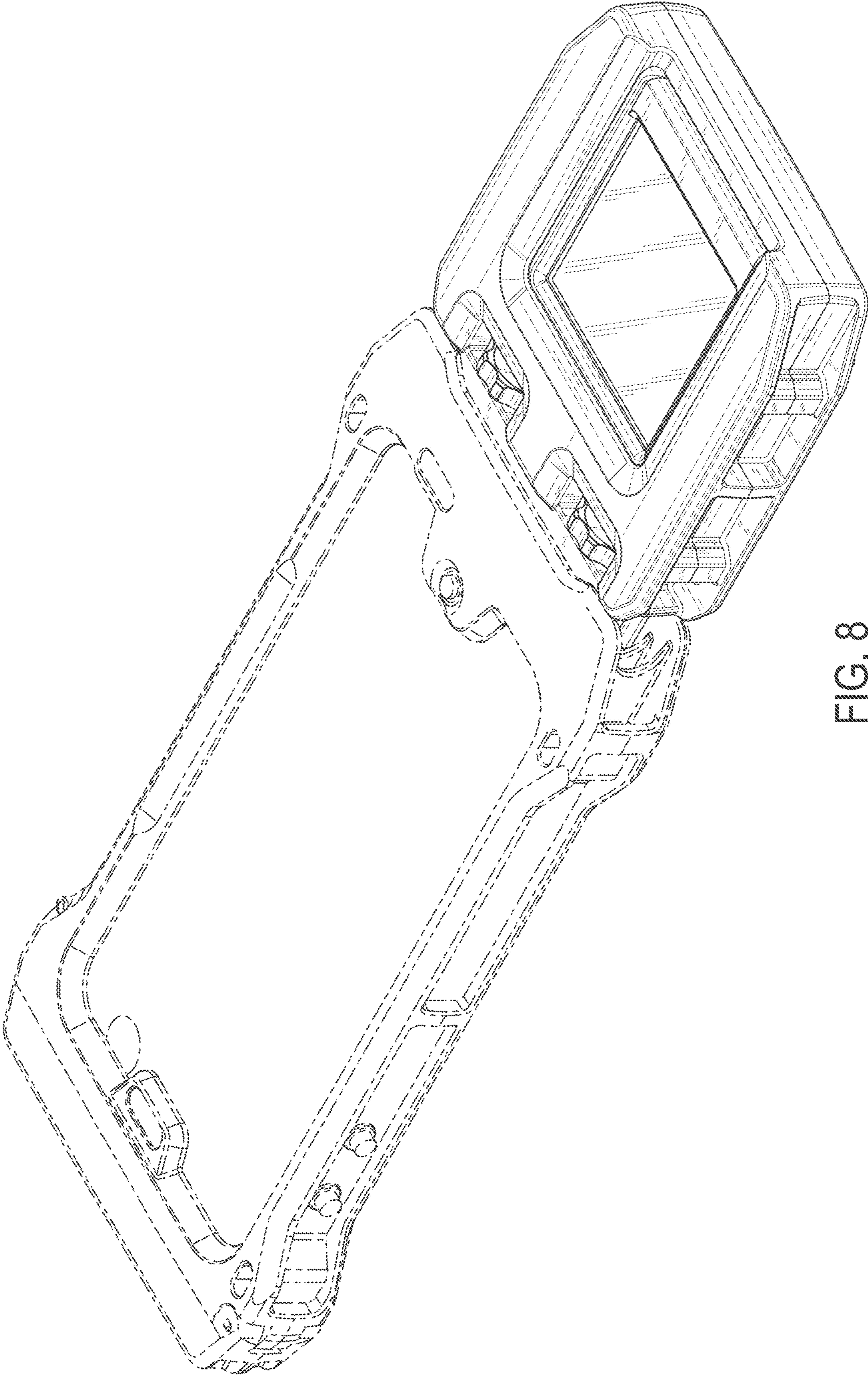


FIG. 8