



US00D915401S

(12) **United States Design Patent**  
**Joshi et al.**

(10) **Patent No.:** **US D915,401 S**  
(45) **Date of Patent:** **\*\* Apr. 6, 2021**

(54) **MODULAR SENSING AND TRANSMITTING APPARATUS AND HOUSING ASSEMBLY**

(71) Applicant: **Koko Home, Inc.**, Palo Alto, CA (US)

(72) Inventors: **Kiran R. Joshi**, Palo Alto, CA (US);  
**Akihiko Sugiura**, Palo Alto, CA (US)

(73) Assignee: **Koko Home, Inc.**, Palo Alto, CA (US)

(\*\*) Term: **15 Years**

(21) Appl. No.: **29/684,977**

(22) Filed: **Mar. 25, 2019**

(51) **LOC (13) Cl.** ..... **14-02**

(52) **U.S. Cl.**  
USPC ..... **D14/358**; D24/186; D10/103; D10/106.1

(58) **Field of Classification Search**  
USPC ... D14/140.1, 240, 242, 358, 125, 129, 130,  
D14/140, 142, 155, 167, 168, 172, 188,  
D14/195, 203.1, 203.6, 299, 496, 351,  
D14/356, 357, 197, 198, 230, 140.6, 434,  
D14/447, 217, 216, 300, 301, 302, 314,  
D14/348, 349; D13/107, 108, 123, 152,  
D13/158, 162, 162.1, 163, 168, 184, 199;  
D10/104.1, 106.1, 106.6, 116.1, 61, 64,  
D10/75, 106.9, 103; D24/185, 186  
CPC ... H04W 88/00; H04W 88/005; H04W 88/02;  
H04W 88/08; H04W 88/085; H04W  
88/12; H04W 88/14; H04W 88/16; H04W  
88/18; H04W 4/00; H01Q 1/02; H01Q  
1/2291; H01Q 1/246; H04B 1/38; A61B  
5/08; A61B 5/11; A61B 5/721; G01S  
13/34; G01S 13/42; G01S 13/886; G06K  
9/00342

See application file for complete search history.

(56) **References Cited**

U.S. PATENT DOCUMENTS

D233,365 S \* 10/1974 Tomioka ..... D14/199  
D321,724 S \* 11/1991 Casale ..... D20/19

D351,114 S \* 10/1994 Wright ..... D10/103  
D360,635 S \* 7/1995 Mark ..... D14/212  
D361,730 S \* 8/1995 Wright ..... D10/103  
D509,825 S \* 9/2005 Chen ..... D14/300  
D520,489 S \* 5/2006 Hakoda ..... D14/171  
D562,805 S \* 2/2008 Tokuno ..... D14/216  
D581,927 S \* 12/2008 Sumii ..... D14/356  
D598,020 S \* 8/2009 Lu ..... D14/358  
7,639,478 B2 \* 12/2009 Wu ..... H05K 5/0008  
312/223.2  
D609,718 S \* 2/2010 Chang ..... D14/203.3  
D619,119 S \* 7/2010 Graber ..... D14/216  
D633,898 S \* 3/2011 Seo ..... D14/216  
D675,190 S \* 1/2013 Nysten ..... D14/215

(Continued)

*Primary Examiner* — Marie D. Fast Horse

(74) *Attorney, Agent, or Firm* — Richard T. Ogawa;  
Ogawa P.C.

(57) **CLAIM**

The ornamental design for modular sensing and transmitting apparatus and housing assembly, as shown and described.

**DESCRIPTION**

FIG. 1 is a perspective view of a modular sensing and transmitting apparatus and housing assembly showing our new design wherein the modular sensing and transmitting apparatus portion of the design is shown exploded for clarity;

FIG. 2 is a back view of the assembly of FIG. 1;

FIG. 3 is a front view of the assembly of FIG. 1;

FIG. 4 is a first side view of the assembly of FIG. 1;

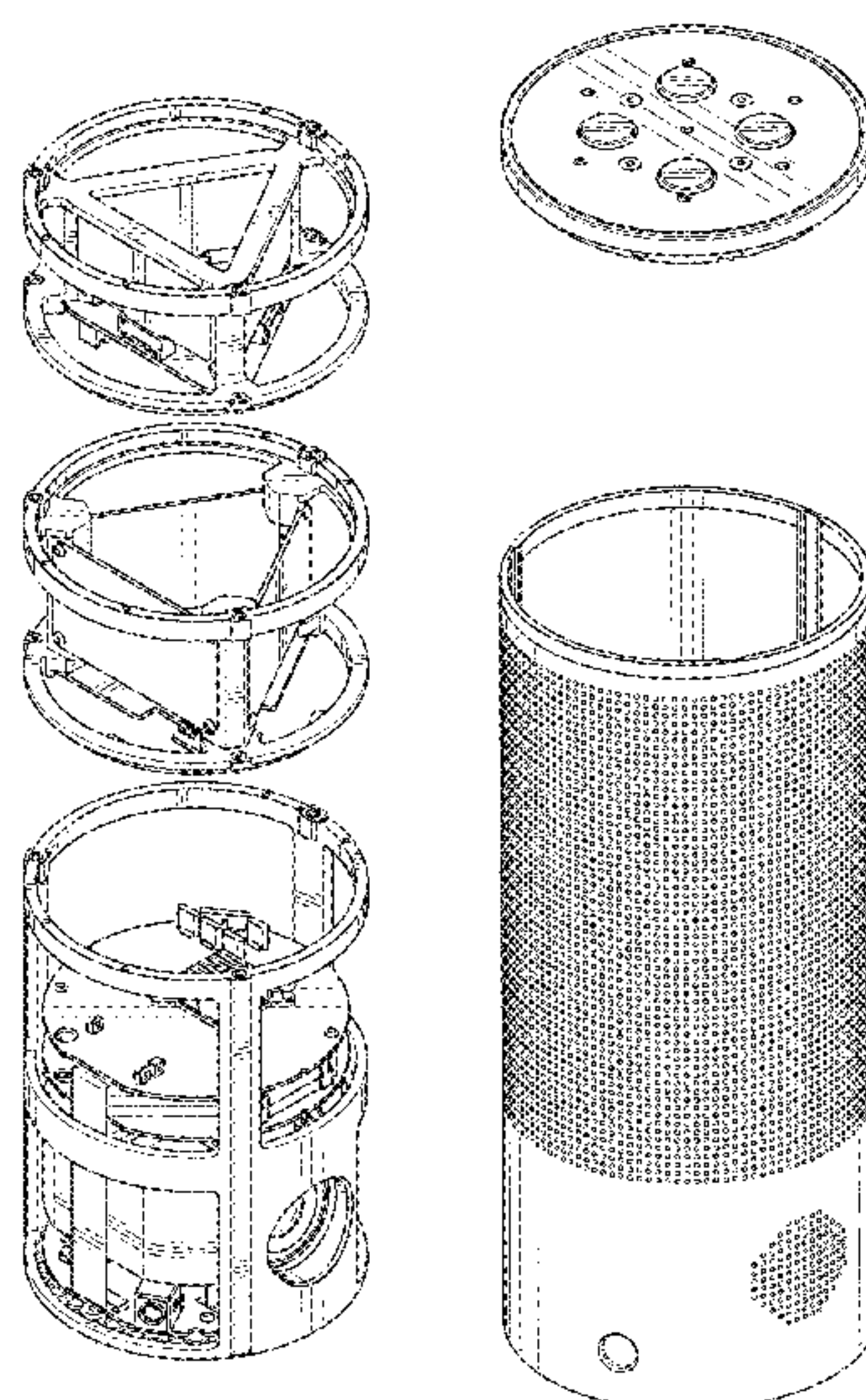
FIG. 5 is a second side view of the assembly of FIG. 1;

FIG. 6 is a top view of the assembly of FIG. 1; and,

FIG. 7 is a bottom view of the assembly of FIG. 1.

The broken lines in the drawings depict portions of the modular sensing and transmitting apparatus and housing assembly that form no part of the claim.

**1 Claim, 7 Drawing Sheets**





(56)

## References Cited

## U.S. PATENT DOCUMENTS

D686,186	S *	7/2013	Kaneko	D14/168	D826,276	S *	8/2018	Langhammer	D14/496
D687,017	S *	7/2013	Ashcraft	D14/216	D828,323	S *	9/2018	Demin	D14/172
D694,746	S *	12/2013	Akana	D14/314	D828,856	S *	9/2018	Langhammer	D14/496
D697,496	S *	1/2014	Ashcraft	D14/216	D831,624	S *	10/2018	Kwon	D14/240
D698,753	S *	2/2014	Yiu	D14/216	10,117,022	B1 *	10/2018	Brennan	H04R 1/02
D701,893	S *	4/2014	Bart	D16/203	D833,414	S *	11/2018	Brennan	D14/204
D707,827	S *	6/2014	Tseng	D24/186	D835,062	S *	12/2018	Langhammer	D14/203.6
D722,595	S *	2/2015	Mackiewicz	D14/216	D835,071	S *	12/2018	Channey	D14/216
D725,076	S *	3/2015	Wong	D14/216	D836,086	S *	12/2018	Yu	D14/209.1
D725,077	S *	3/2015	Wong	D14/216	D836,606	S *	12/2018	Kangasmaa	D14/216
D737,789	S *	9/2015	Leung	D14/125	D838,257	S *	1/2019	Manz	D14/216
D739,397	S *	9/2015	Akana	D14/314	D839,870	S *	2/2019	Akana	D14/314
D744,541	S *	12/2015	Langhammer	D14/203.1	D840,436	S *	2/2019	Demin	D14/496
D745,685	S *	12/2015	Azimi	D24/186	D841,632	S *	2/2019	Eun	D14/242
D746,869	S *	1/2016	Akana	D14/496	D841,693	S *	2/2019	McWilliam	D14/496
D754,653	S *	4/2016	Marciniak	D14/314	D843,419	S *	3/2019	Vaclavik	D14/496
D758,025	S *	5/2016	Ma	D30/199	D844,592	S *	4/2019	Huang	D14/240
D764,335	S *	8/2016	Thornton	D10/106.6	D845,276	S *	4/2019	Huang	D14/216
D765,618	S *	9/2016	Alves	D14/216	D845,936	S *	4/2019	Benedetti	D14/230
D766,213	S *	9/2016	Hinokio	D14/216	D848,394	S *	5/2019	Demin	D14/204
D771,019	S *	11/2016	Lee	D14/216	D848,397	S *	5/2019	Alves	D14/216
D771,141	S *	11/2016	Langhammer	D14/496	D852,229	S *	6/2019	Akana	D14/496
D771,142	S *	11/2016	Langhammer	D14/203.6	D853,960	S *	7/2019	Lei	D13/108
D772,860	S *	11/2016	Magi	D14/300	D854,509	S *	7/2019	Wu	D14/168
D774,020	S *	12/2016	Hinokio	D14/216	D855,564	S *	8/2019	Brennan	D13/108
D778,956	S *	2/2017	Langhammer	D14/203.1	D858,497	S *	9/2019	Laurans	D14/240
D780,728	S *	3/2017	Shin	D14/242	D860,257	S *	9/2019	Akana	D14/496
D781,918	S *	3/2017	Langhammer	D14/203.1	D861,176	S *	9/2019	Yoon	D24/186
D784,412	S *	4/2017	Akana	D14/496	D863,356	S *	10/2019	Akana	D14/496
D786,307	S *	5/2017	Akana	D14/496	D864,929	S *	10/2019	Laurans	D14/240
D786,829	S *	5/2017	Wang	D14/204	D864,931	S *	10/2019	Fahlgren	D14/242
D792,397	S *	7/2017	Ma	D14/358	10,448,520	B2 *	10/2019	Tak	H05K 5/0217
D792,468	S *	7/2017	Langhammer	D14/203.3	D866,520	S *	11/2019	Kim	D14/216
D797,073	S *	9/2017	Yoon	D14/172	D866,521	S *	11/2019	Kim	D14/216
9,768,513	B2 *	9/2017	Lee	H01Q 1/02	D868,740	S *	12/2019	Kang	D14/216
D798,857	S *	10/2017	Lee	D14/314	D868,761	S *	12/2019	McWilliam	D14/238.1
D802,022	S *	11/2017	Yao	D14/496	D870,701	S *	12/2019	Lee	D14/211
D803,190	S *	11/2017	Lee	D14/216	D875,077	S *	2/2020	Omata	D14/216
D803,810	S *	11/2017	Lee	D14/216	D878,334	S *	3/2020	Alves	D14/216
9,843,851	B2 *	12/2017	Chamberlin	H04R 1/342	D879,152	S *	3/2020	McWilliam	D14/496
D808,382	S *	1/2018	Akana	D14/314	D882,548	S *	4/2020	Guo	D14/216
D808,928	S *	1/2018	Schaal	D14/216	10,617,330	B1 *	4/2020	Joshi	G01S 13/886
D809,500	S *	2/2018	Akana	D14/314	D892,765	S *	8/2020	Li	D14/216
D810,049	S *	2/2018	Lee	D14/216	10,743,100	B1 *	8/2020	Eckert	H04R 1/326
D810,134	S *	2/2018	Langhammer	D14/496	D902,759	S *	11/2020	Joshi	D10/103
D810,135	S *	2/2018	Langhammer	D14/496	2008/0226096	A1 *	9/2008	Waddell	H04R 1/02 381/87
D810,136	S *	2/2018	Langhammer	D14/496	2014/0276245	A1 *	9/2014	Tsutsumi	A61B 5/11 600/595
D810,137	S *	2/2018	Tsang	D14/496	2016/0302320	A1 *	10/2016	Kim	G06F 1/1698
D810,783	S *	2/2018	Langhammer	D14/496	2017/0187206	A1 *	6/2017	Lafountain	H02J 7/0044
D811,367	S *	2/2018	Vaclavik	D14/216	2017/0215004	A1 *	7/2017	Wengreen	H04R 1/026
D813,201	S *	3/2018	Shin	D14/216	2017/0332166	A1 *	11/2017	Kikuchi	H04R 1/24
D813,213	S *	3/2018	Honda	D14/240	2017/0346186	A1 *	11/2017	Lee	H01Q 1/02
D815,149	S *	4/2018	Langhammer	D14/496	2018/0092230	A1 *	3/2018	Hsu	H04R 1/00
D818,499	S *	5/2018	Akana	D14/496	2018/0205193	A1 *	7/2018	Wu	H01R 31/02
D820,802	S *	6/2018	Hamann	D14/149	2019/0273349	A1 *	9/2019	Wu	H01R 27/02
9,990,002	B2 *	6/2018	Kim	G06F 1/1656	2020/0158819	A1 *	5/2020	Joshi	G01S 13/42
D822,716	S *	7/2018	Mangum	D14/496	2020/0158849	A1 *	5/2020	Joshi	H01Q 21/061
D823,241	S *	7/2018	Zhang	D13/103	2020/0256972	A1 *	8/2020	Eckert	G01S 13/0209
10,021,486	B1 *	7/2018	Brennan	H04R 5/02	2020/0264278	A1 *	8/2020	Eckert	G01S 7/417
D826,205	S *	8/2018	Langhammer	D14/203.6					

\* cited by examiner



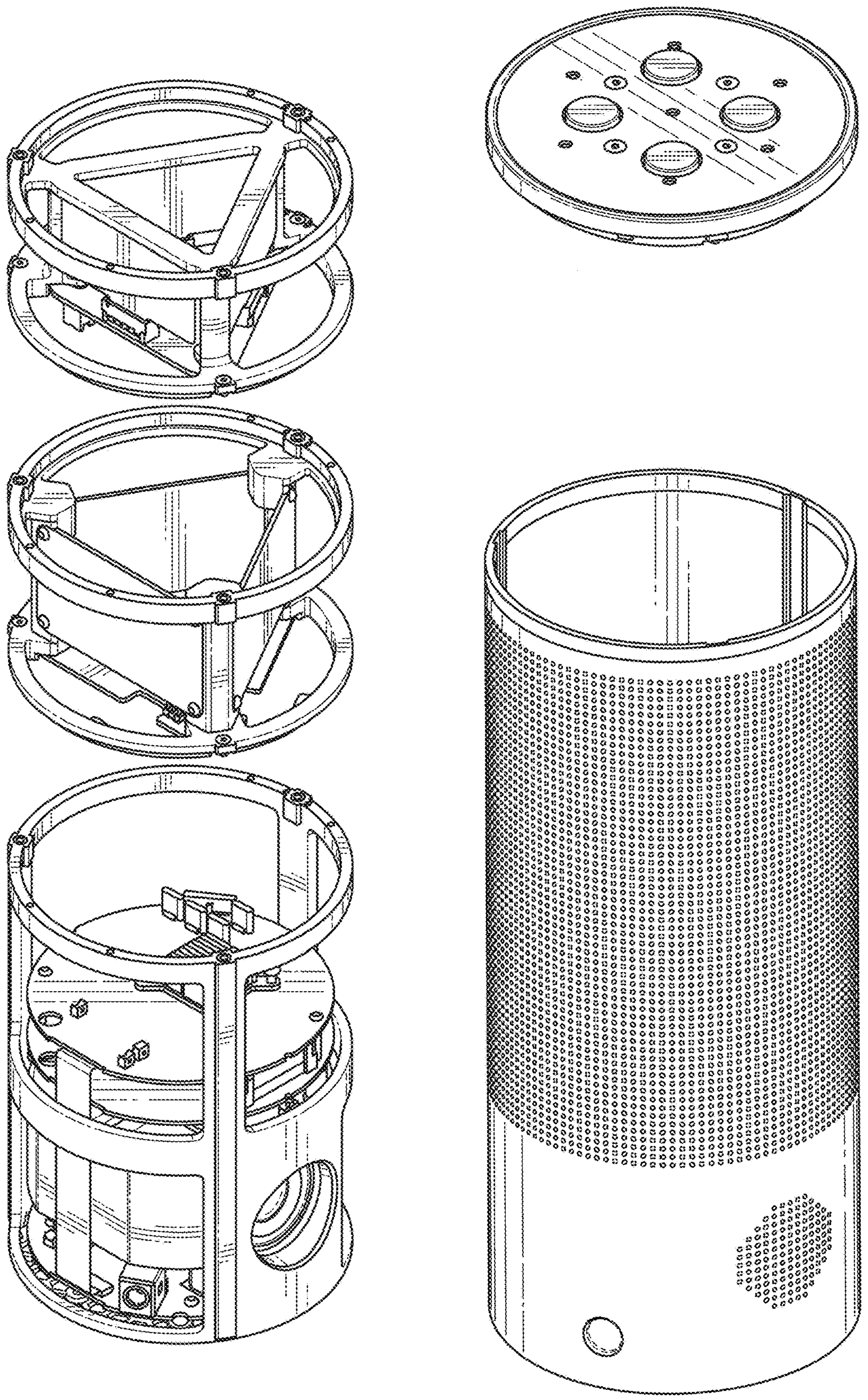


FIG. 1



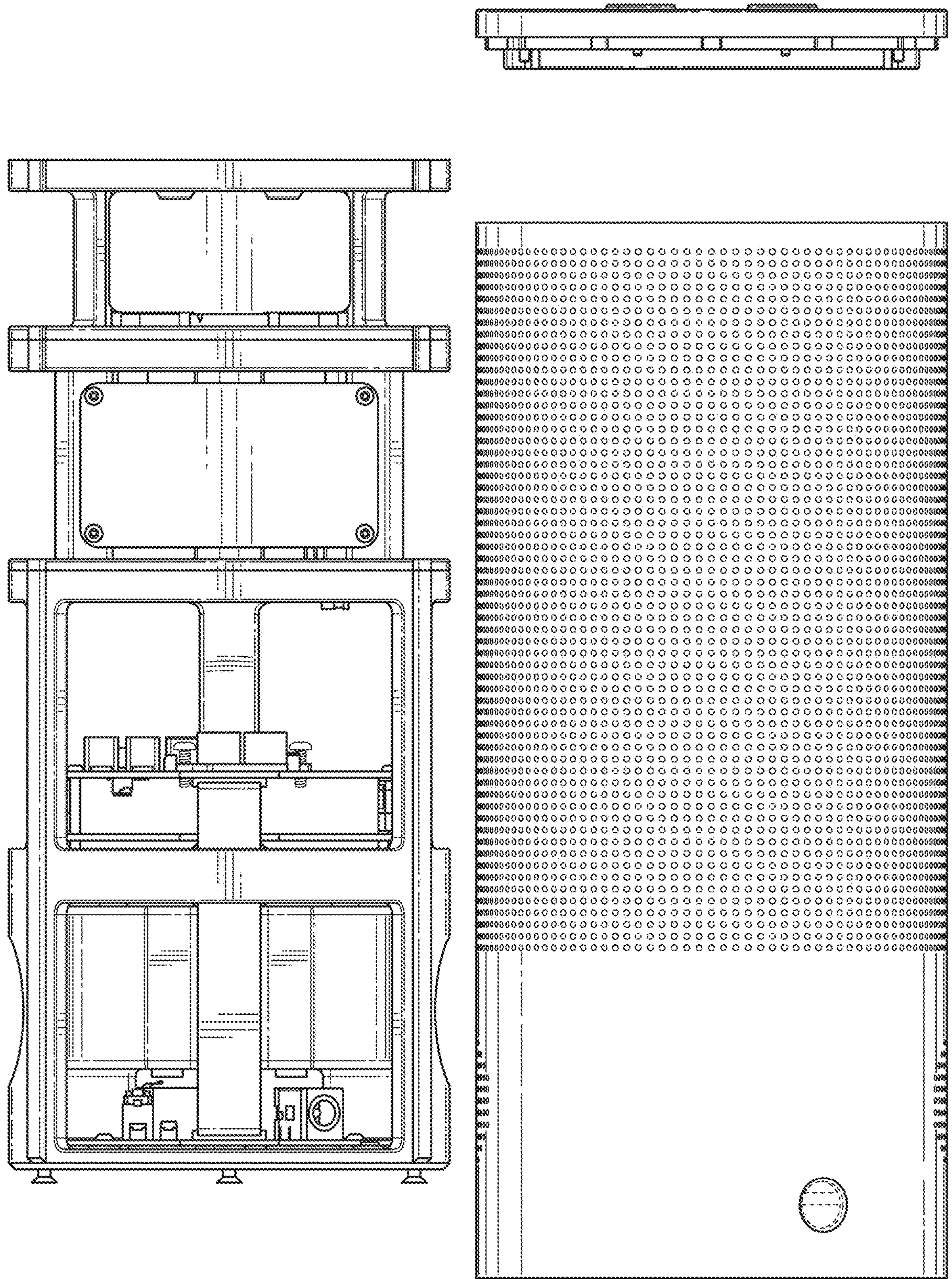


FIG. 2



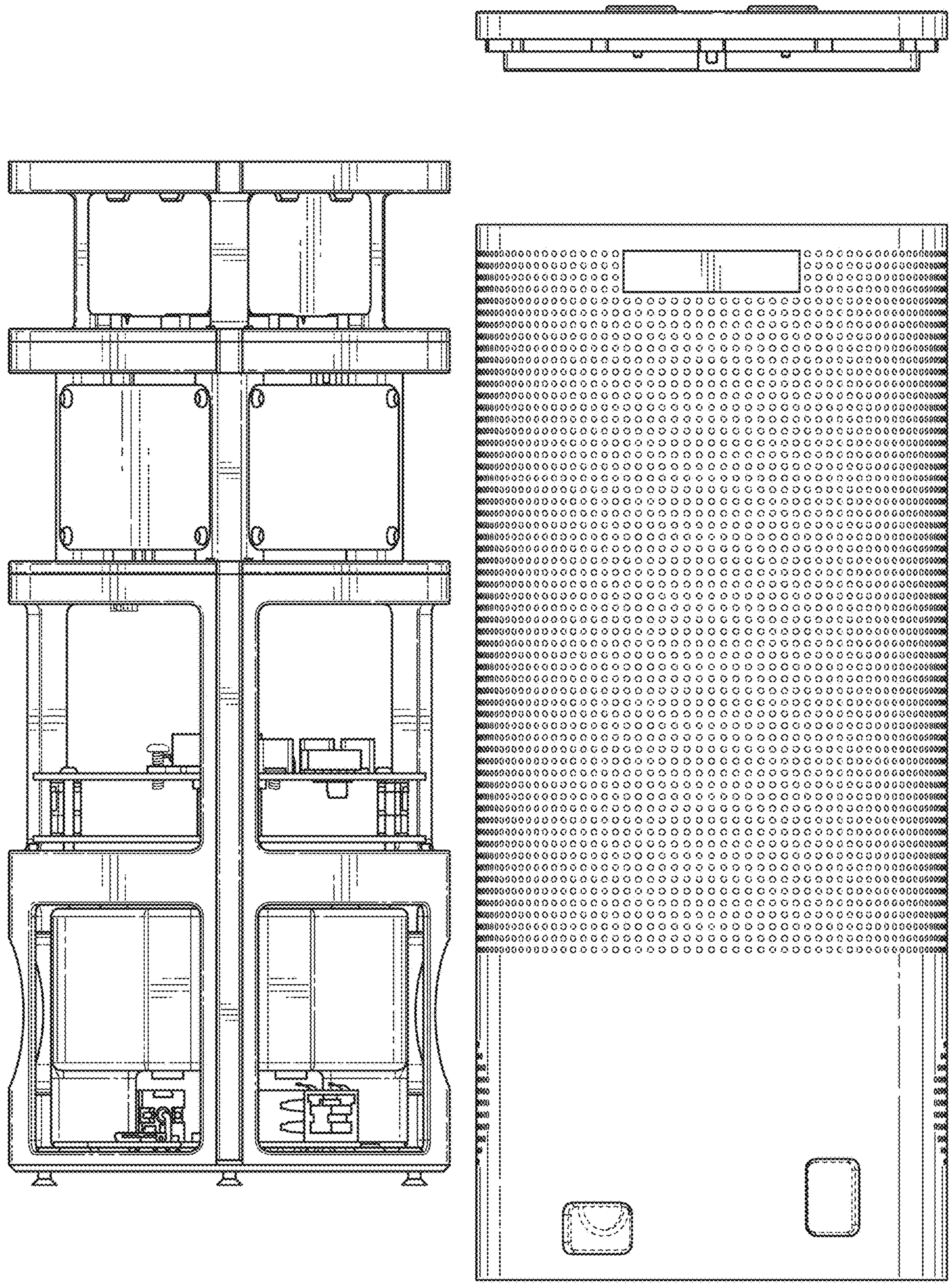


FIG. 3



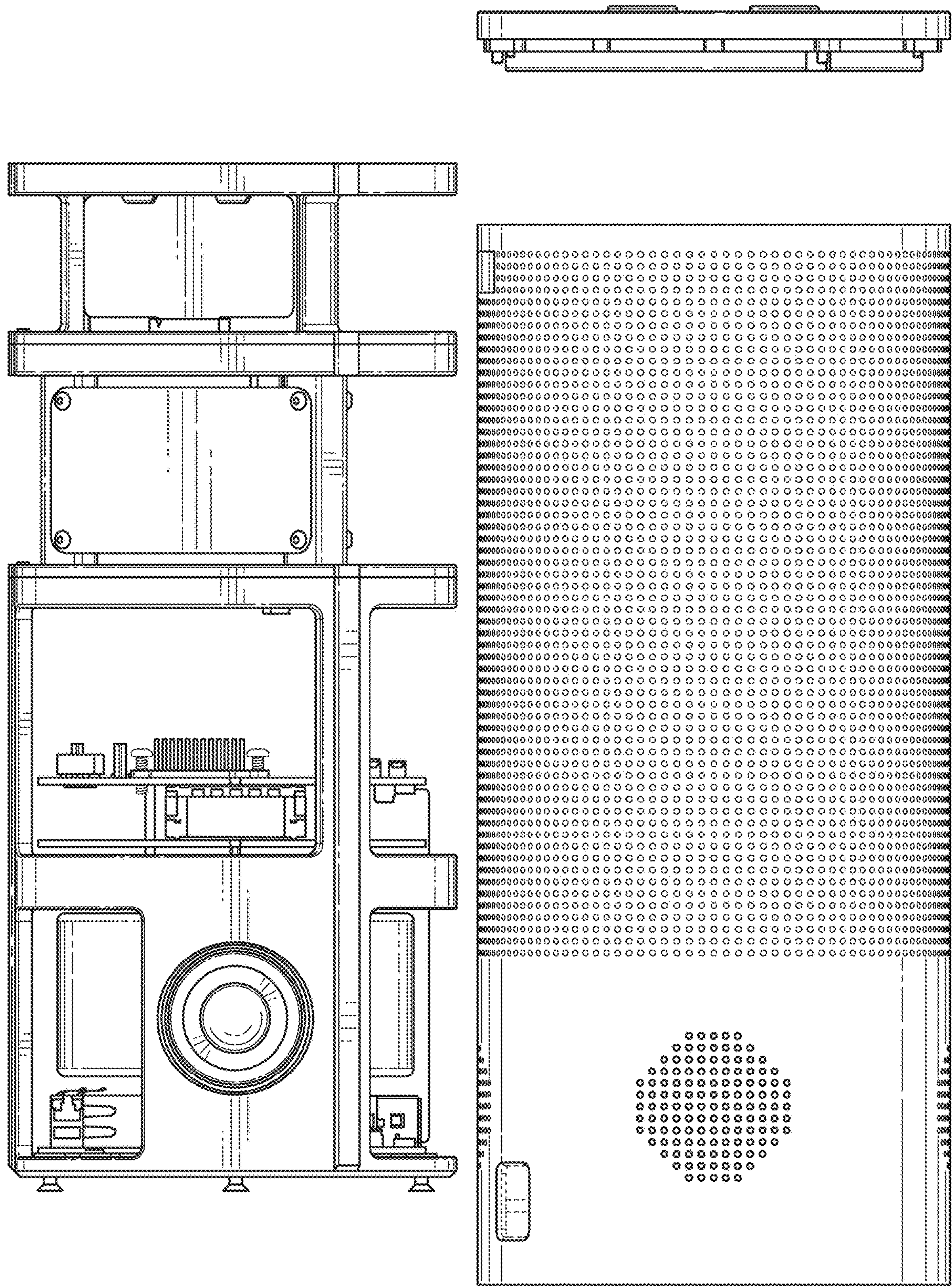


FIG. 4



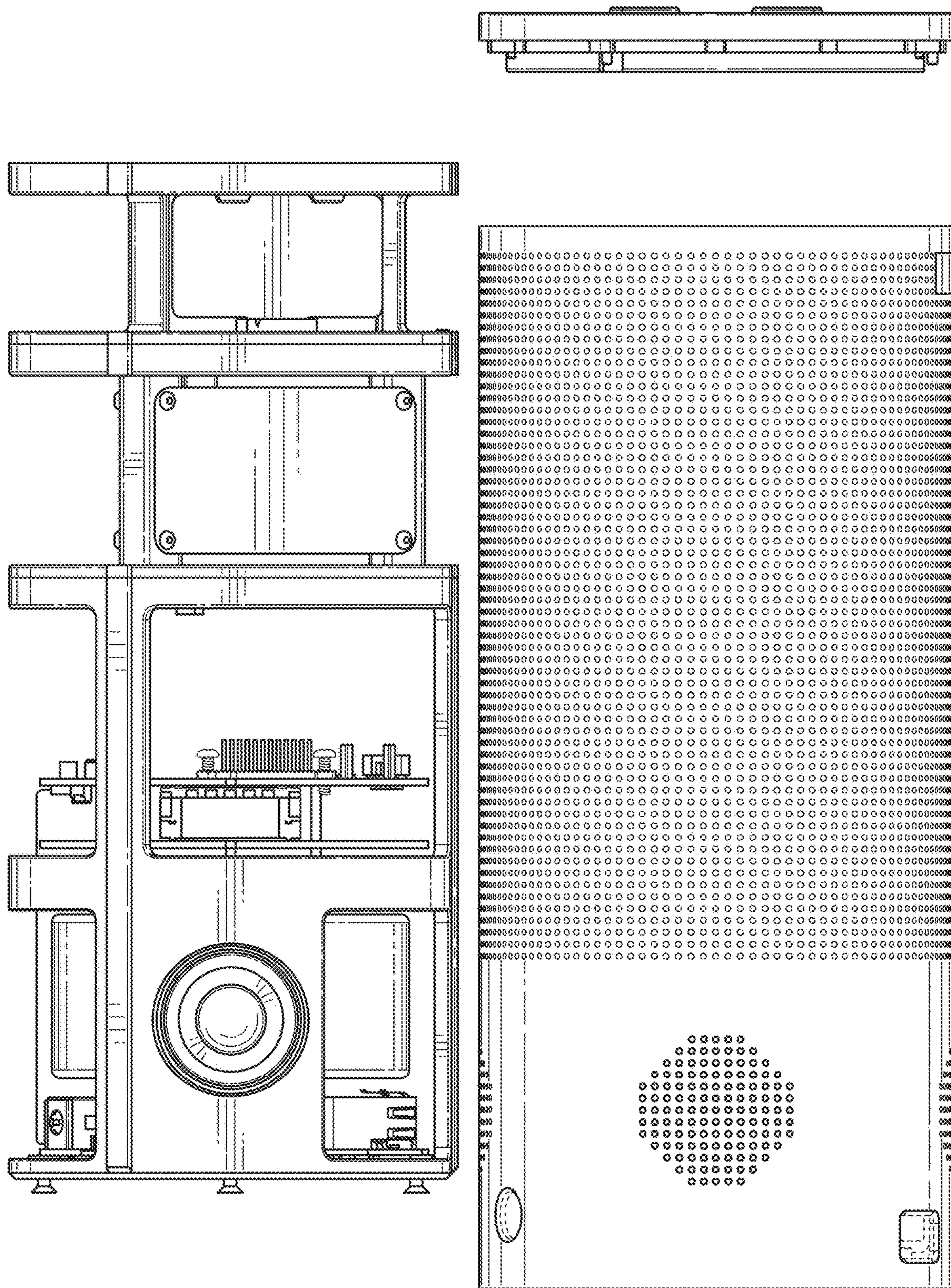


FIG. 5



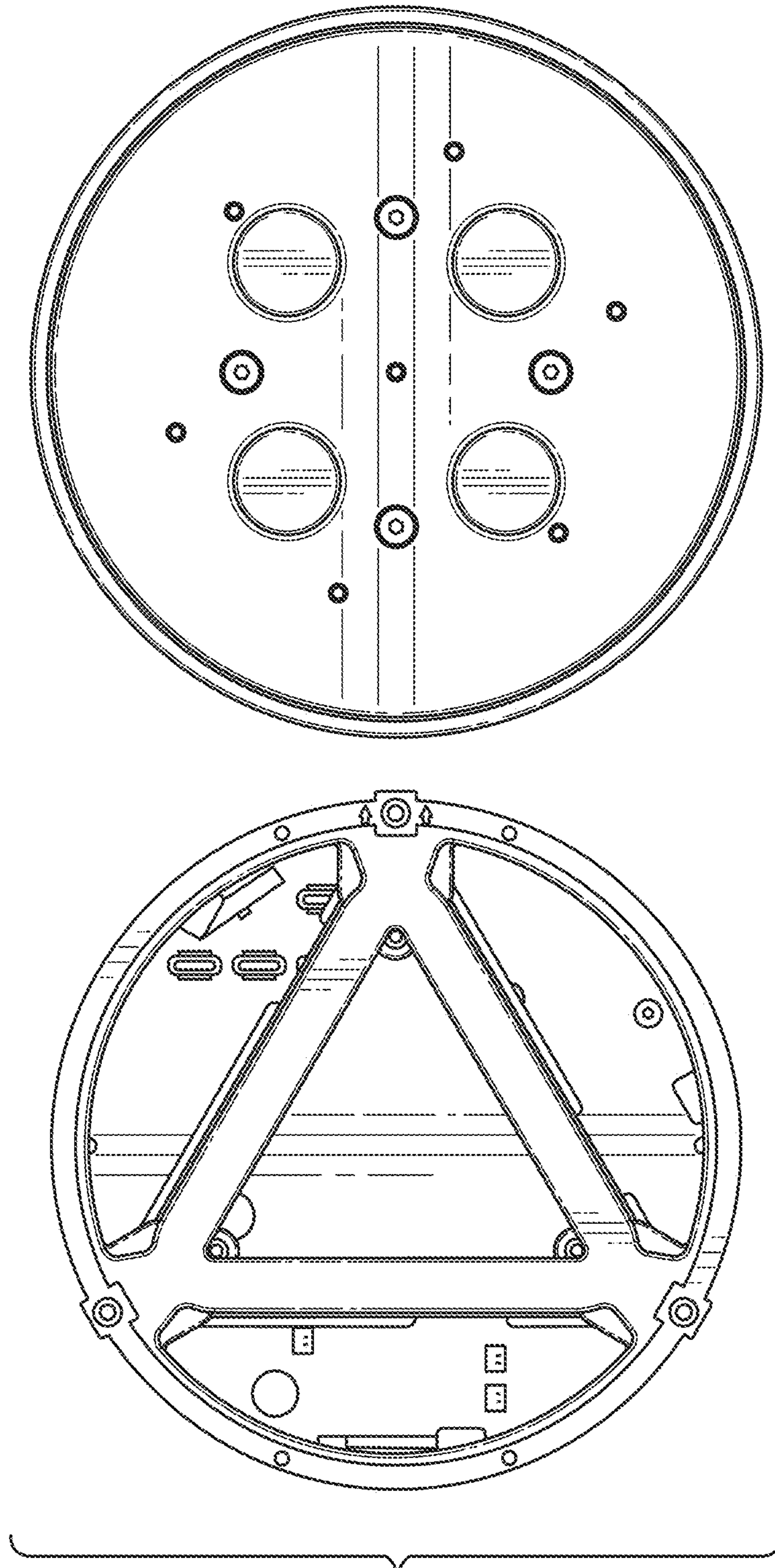


FIG. 6



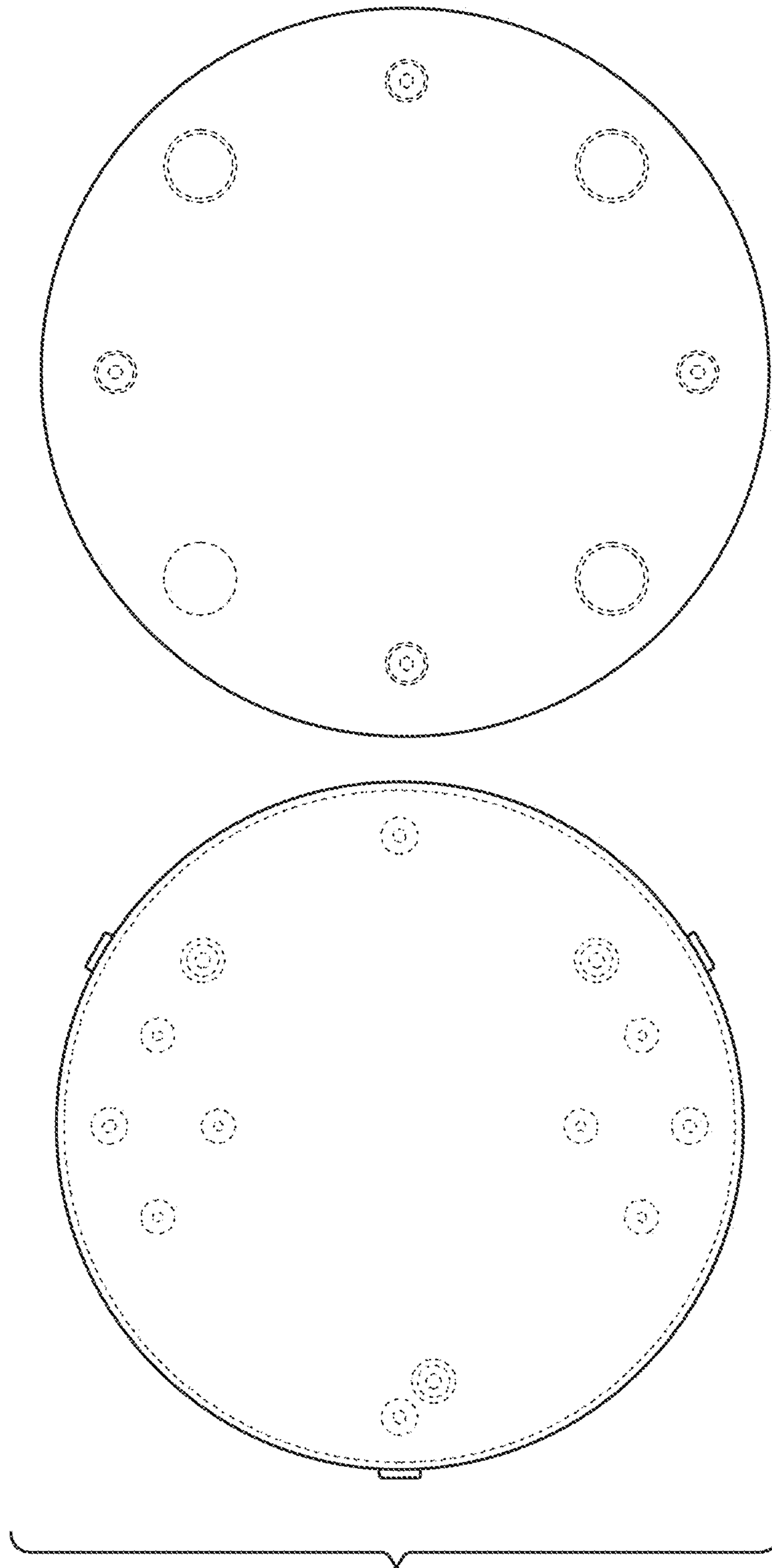


FIG. 7