



US00D915399S

(12) **United States Design Patent** (10) **Patent No.:** **US D915,399 S**
Chao et al. (45) **Date of Patent:** **** Apr. 6, 2021**

(54) **SMART WATCH**

(71) Applicants: **Zepp, Inc.**, Cupertino, CA (US); **Anhui Huami Information Technology Co., Ltd.**, Hefei (CN)

(72) Inventors: **Wei Po Chao**, Mountain View, CA (US); **Xiaoyan Sun**, Anhui (CN)

(73) Assignees: **Zepp, Inc.**, Cupertino, CA (US); **Anhui Huami Information Technology Co., Ltd.**, Anhui (CN)

(**) Term: **15 Years**

(21) Appl. No.: **29/694,394**

(22) Filed: **Jun. 10, 2019**

(51) **LOC (13) Cl.** **14-02**

(52) **U.S. Cl.**
USPC **D14/344**

(58) **Field of Classification Search**
USPC .. D14/138 R, 144, 341, 344, 358, 388, 218;
D10/30-39, 70, 98; D11/3, 4, 26, 93-94,
(Continued)

(56) **References Cited**

U.S. PATENT DOCUMENTS

D349,257 S * 8/1994 Polenberg D11/3
D604,643 S * 11/2009 Ahlstrom D10/31
(Continued)

OTHER PUBLICATIONS

Rundoing Smartwatch for Android Phones, 1.3 Inch Color Screen Fitness Tracker Activity Tracker, Heart Rate Monitor Fitness Watch, Compatible with iOS and Android, posted Jul. 31, 2019, [retrieved Jun. 11, 2020], Retrieved from Internet, <URL: <https://www.amazon.com/dp/B07VTMH1NY/>>.*

(Continued)

Primary Examiner — George D. Kirschbaum

Assistant Examiner — Joseph J Kukella

(74) *Attorney, Agent, or Firm* — Young Basile Hanlon & MacFarlane, P.C.

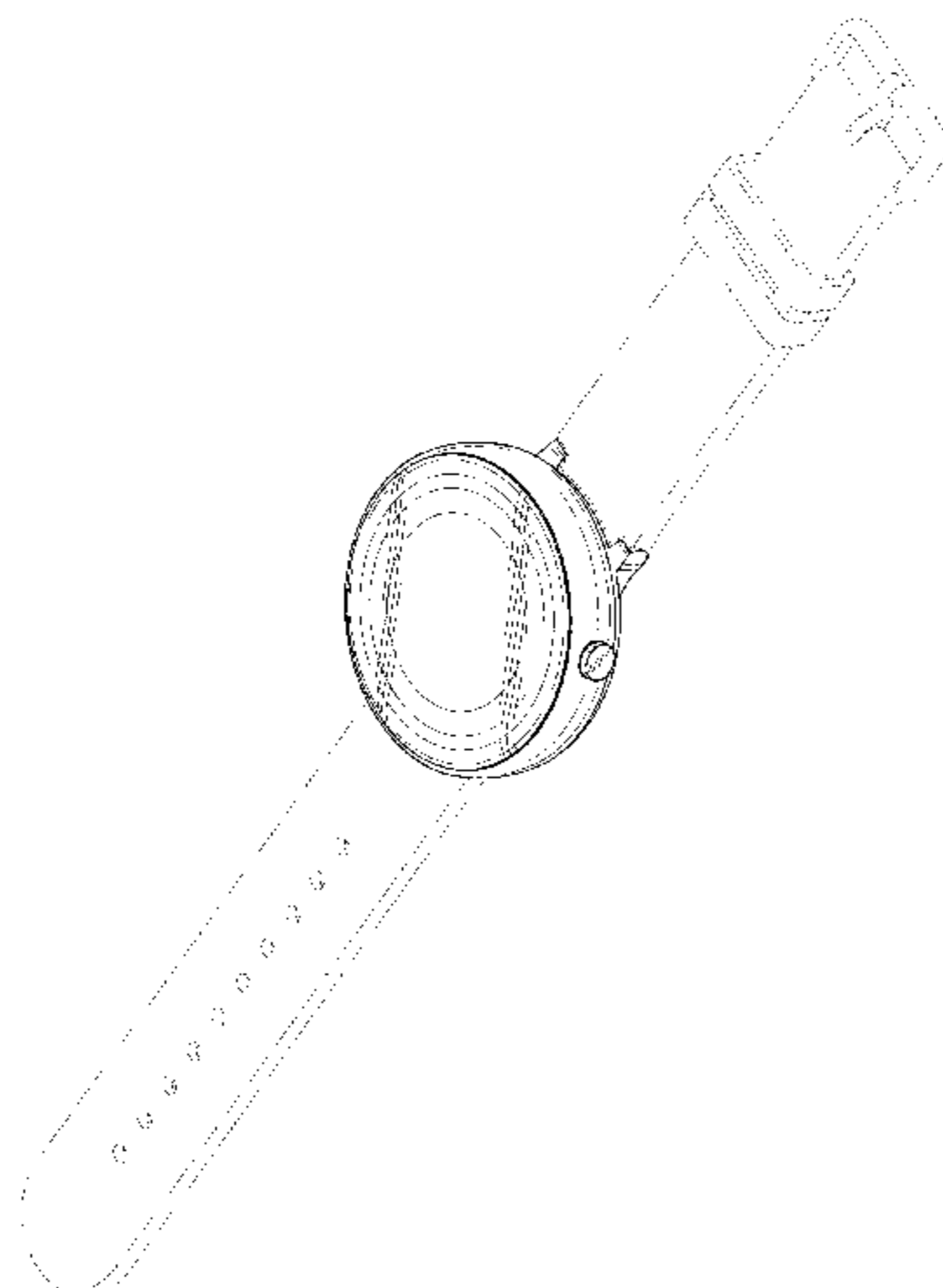
(57) **CLAIM**

The ornamental design for a smart watch, as shown and described.

DESCRIPTION

FIG. 1 is a top, front, and right perspective view of a first embodiment of the smart watch showing our new design. FIG. 2 is a front view of the smart watch of FIG. 1. FIG. 3 is a rear view of the smart watch of FIG. 1. FIG. 4 is a left side view of the smart watch of FIG. 1. FIG. 5 is a right side view of the smart watch of FIG. 1. FIG. 6 is a top view of the smart watch of FIG. 1. FIG. 7 is a bottom view of the smart watch of FIG. 1. FIG. 8 is a cross-sectional view of the smart watch of FIG. 1 taken across line 8-8 as indicated in FIG. 2. FIG. 9 is a detail view of the smart watch of FIG. 1 as indicated in FIG. 8. FIG. 10 is a top, front, and right perspective view of a second embodiment of the smart watch. FIG. 11 is a front view of the smart watch of FIG. 10. FIG. 12 is a rear view of the smart watch of FIG. 10. FIG. 13 is a left side view of the smart watch of FIG. 10. FIG. 14 is a right side view of the smart watch of FIG. 10. FIG. 15 is a top view of the smart watch of FIG. 10. FIG. 16 is a bottom view of the smart watch of FIG. 10. FIG. 17 is a top, front, and right perspective view of a third embodiment of the smart watch. FIG. 18 is a front view of the smart watch of FIG. 17. FIG. 19 is a rear view of the smart watch of FIG. 17. FIG. 20 is a left side view of the smart watch of FIG. 17. FIG. 21 is a right side view of the smart watch of FIG. 17. FIG. 22 is a top view of the smart watch of FIG. 17. FIG. 23 is a bottom view of the smart watch of FIG. 17. FIG. 24 is a cross-sectional view of the smart watch of FIG. 17 taken across line 24-24 as indicated in FIG. 18; and, FIG. 25 is a detail view of the smart watch of FIG. 17 as indicated in FIG. 24.

(Continued)



The broken line showing of a band depicts an environment of use. The remaining broken lines shown in the drawings depict portions of the smart watch. The broken lines form no part of the claimed design.

1 Claim, 14 Drawing Sheets

(58) Field of Classification Search

USPC D11/78.1, 79, 86; D24/167, 169, D24/186-187, 164
 CPC A41D 1/002; A41D 19/0034; G04G 17/00; G04G 17/02; G04G 17/08; G04G 17/083; G04G 17/086; G04C 3/00; G04C 3/001; G04C 3/002; G04C 3/004; G04C 3/005; G04C 3/007; G04C 17/00; G04C 23/02; G04C 23/04; G04B 3/04; G04B 19/24; G04B 19/26; G04B 37/00; G04B 45/0069; G04B 47/04; G04B 37/0008; G04B 37/0058; G04B 37/12; G04B 37/18; G04B 45/00; G04B 47/00; G04B 47/042; G04B 47/06; G04B 47/063

See application file for complete search history.

(56) References Cited

U.S. PATENT DOCUMENTS

D768,623 S * 10/2016 Zou D10/39
 D773,319 S * 12/2016 Basargin D10/38

D773,944 S * 12/2016 Wang D10/30
 D813,058 S * 3/2018 Kanikananta D10/32
 D821,227 S * 6/2018 Colman D10/32
 D823,302 S * 7/2018 Yoshimoto D14/344
 D826,406 S * 8/2018 Paschke D24/167
 D836,466 S * 12/2018 Shi D10/32
 D850,317 S * 6/2019 Hinds D11/3
 D861,506 S * 10/2019 Lintz D10/39
 D861,883 S * 10/2019 Verbrugge D24/186
 D874,298 S * 2/2020 Xie D10/32
 D875,555 S * 2/2020 Komulainen D10/32
 2014/0083133 A1* 3/2014 Lee A44C 5/14
 63/3.1

OTHER PUBLICATIONS

Samsung Galaxy Watch Active (40mm, GPS, Bluetooth), Rose Gold—US Version with Warranty, posted Feb. 21, 2019, [retrieved Jun. 11, 2020], Retrieved from Internet, <URL: <https://www.amazon.com/Samsung-Galaxy-Watch-Active-40mm/dp/B07NFMNQB/>>.*

IQ Shield Screen Protector Compatible with Samsung Galaxy Watch Active, posted Jan. 28, 2019, [retrieved Jun. 11, 2020], Retrieved from Internet, <URL: <https://www.amazon.com/Protector-Compatible-Samsung-LiquidSkin-Anti-Bubble/dp/B07N7S9SMS/>>.*

* cited by examiner

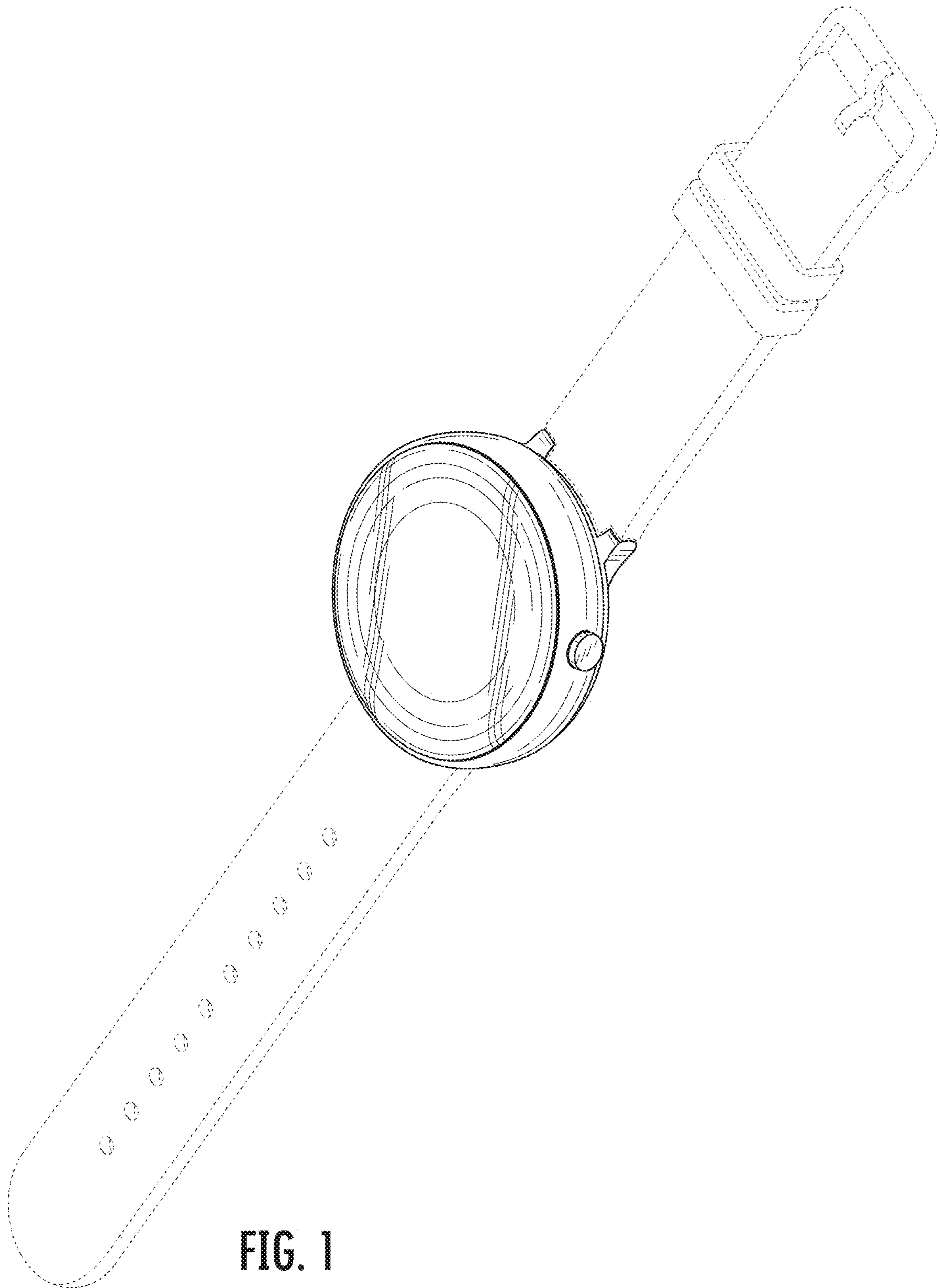
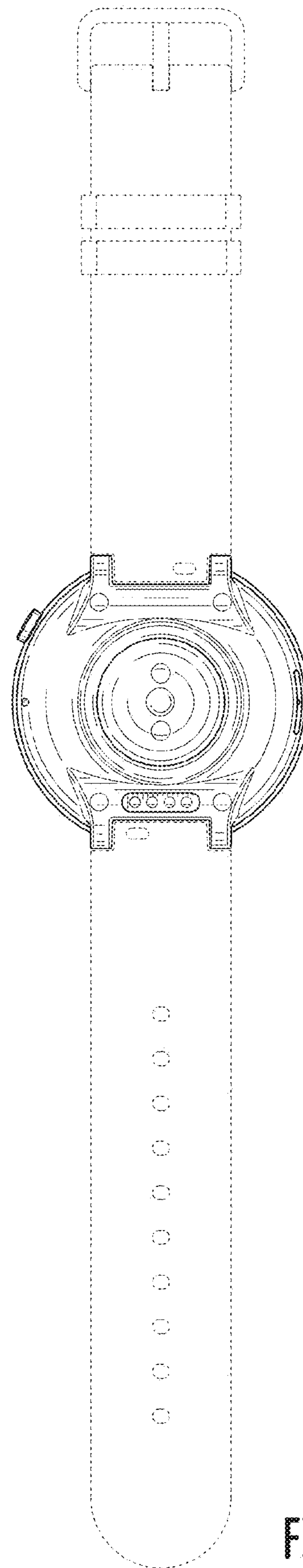
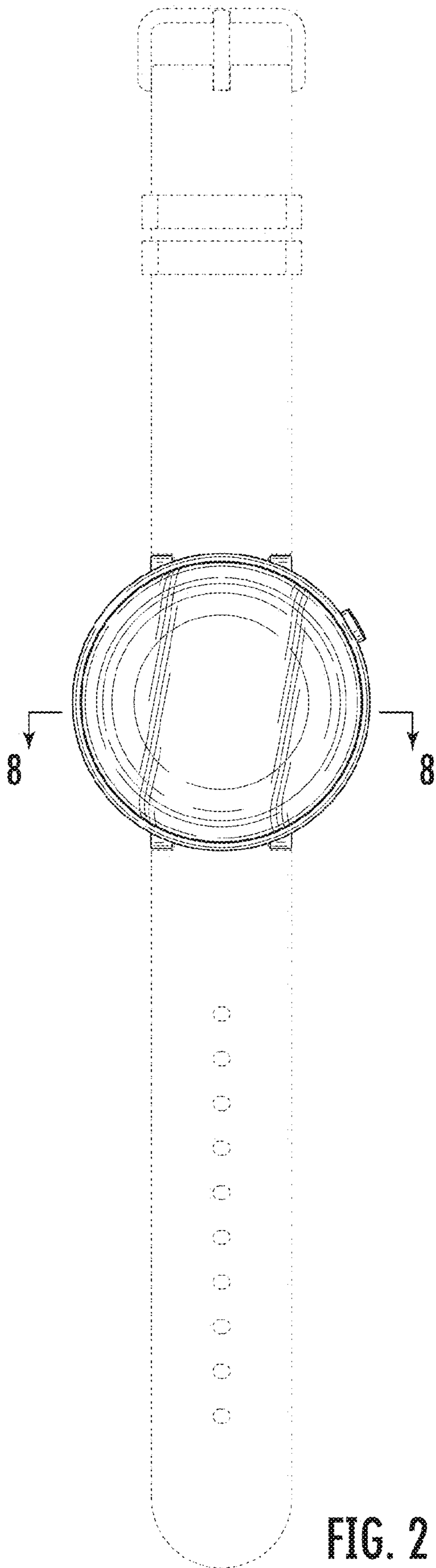


FIG. 1



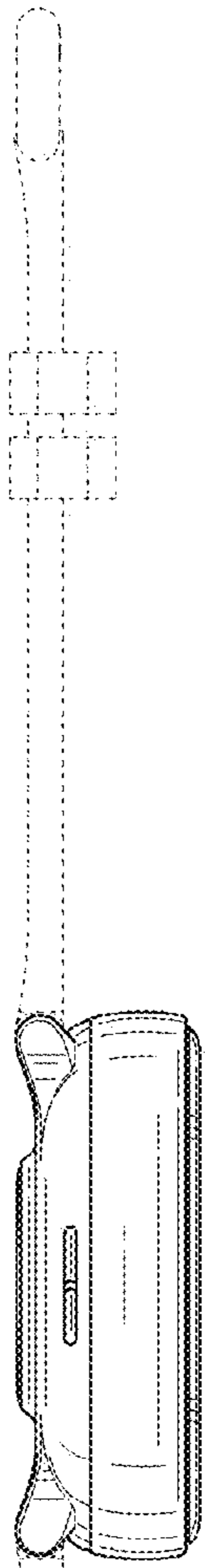


FIG. 4

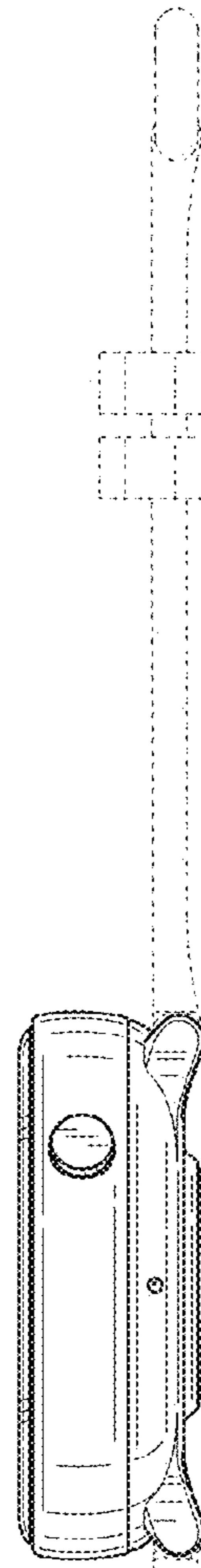


FIG. 5

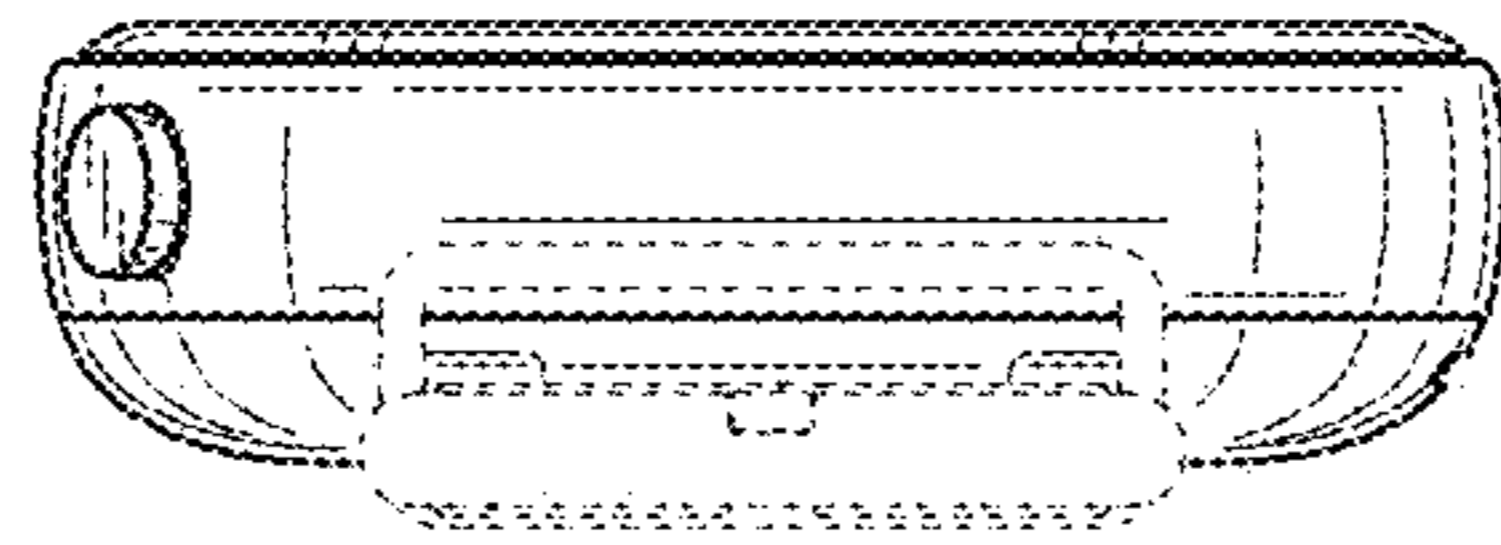


FIG. 6

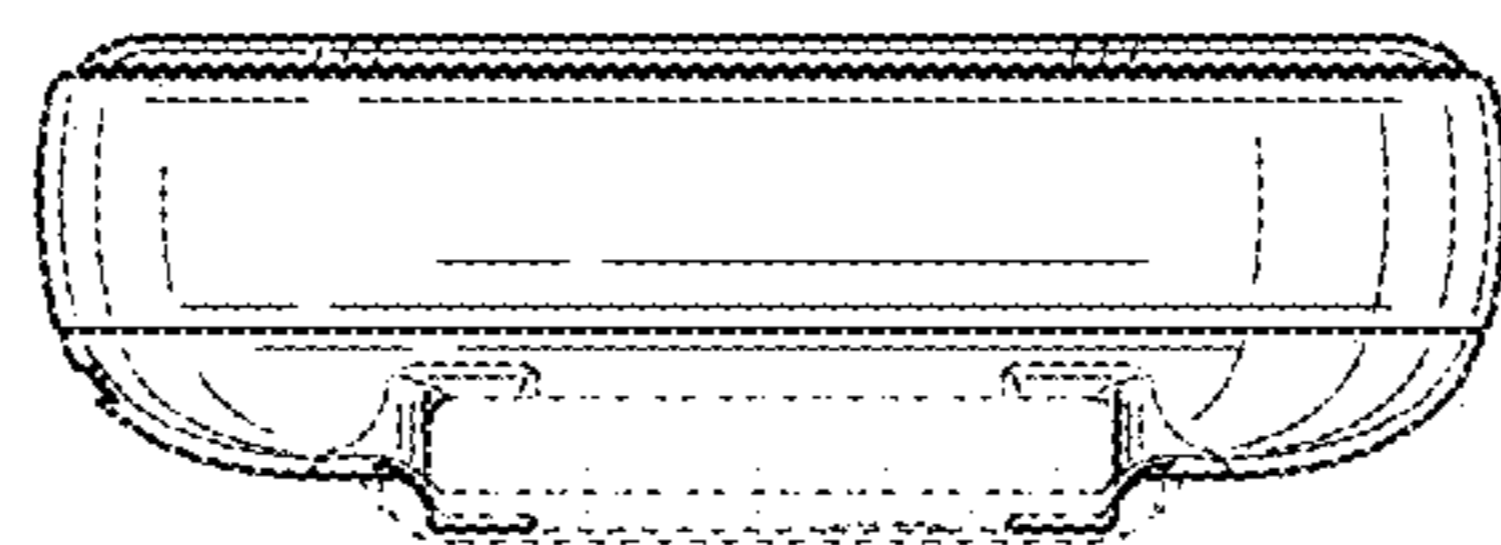


FIG. 7

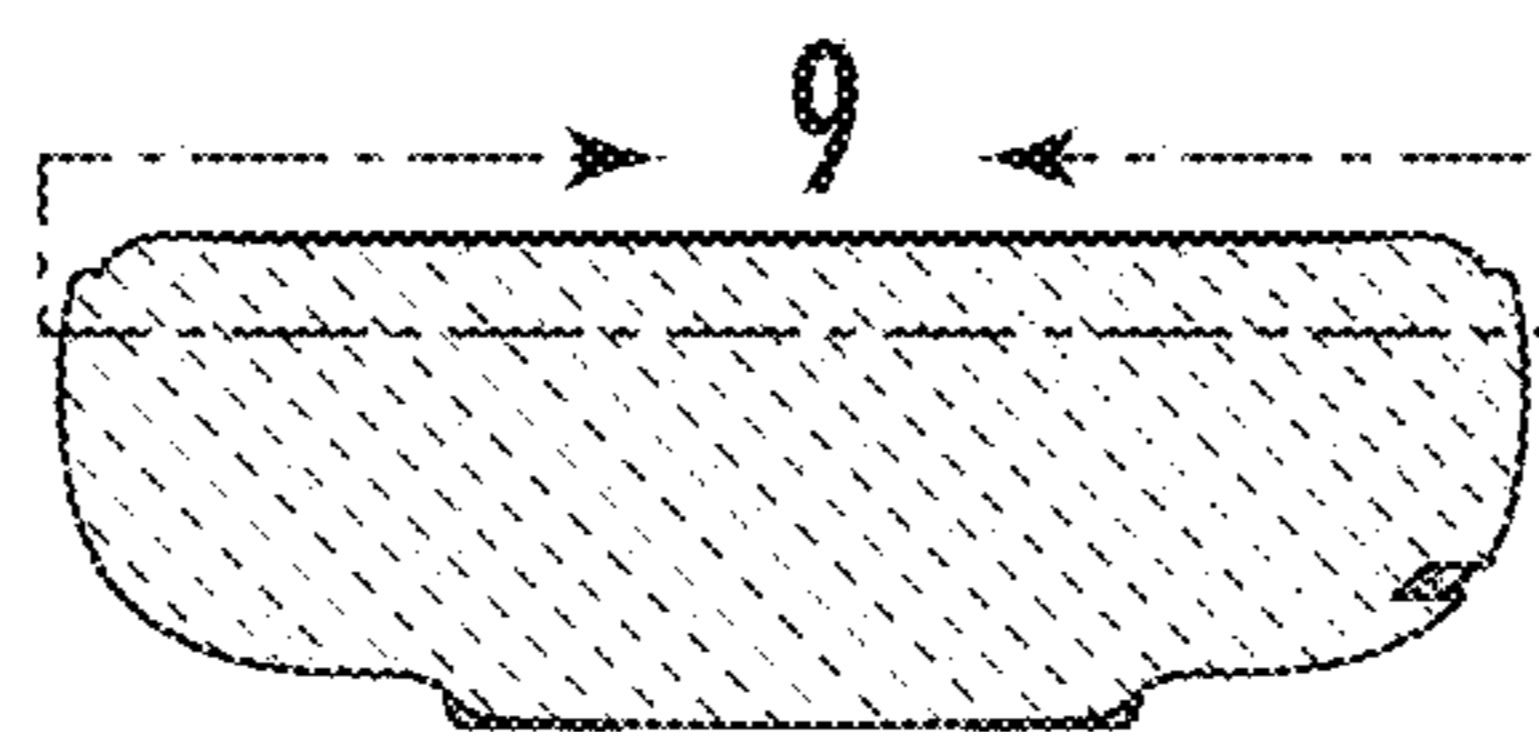


FIG. 8

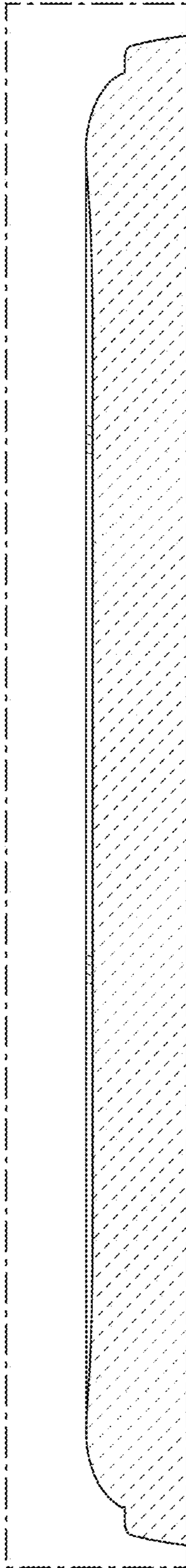


FIG. 9

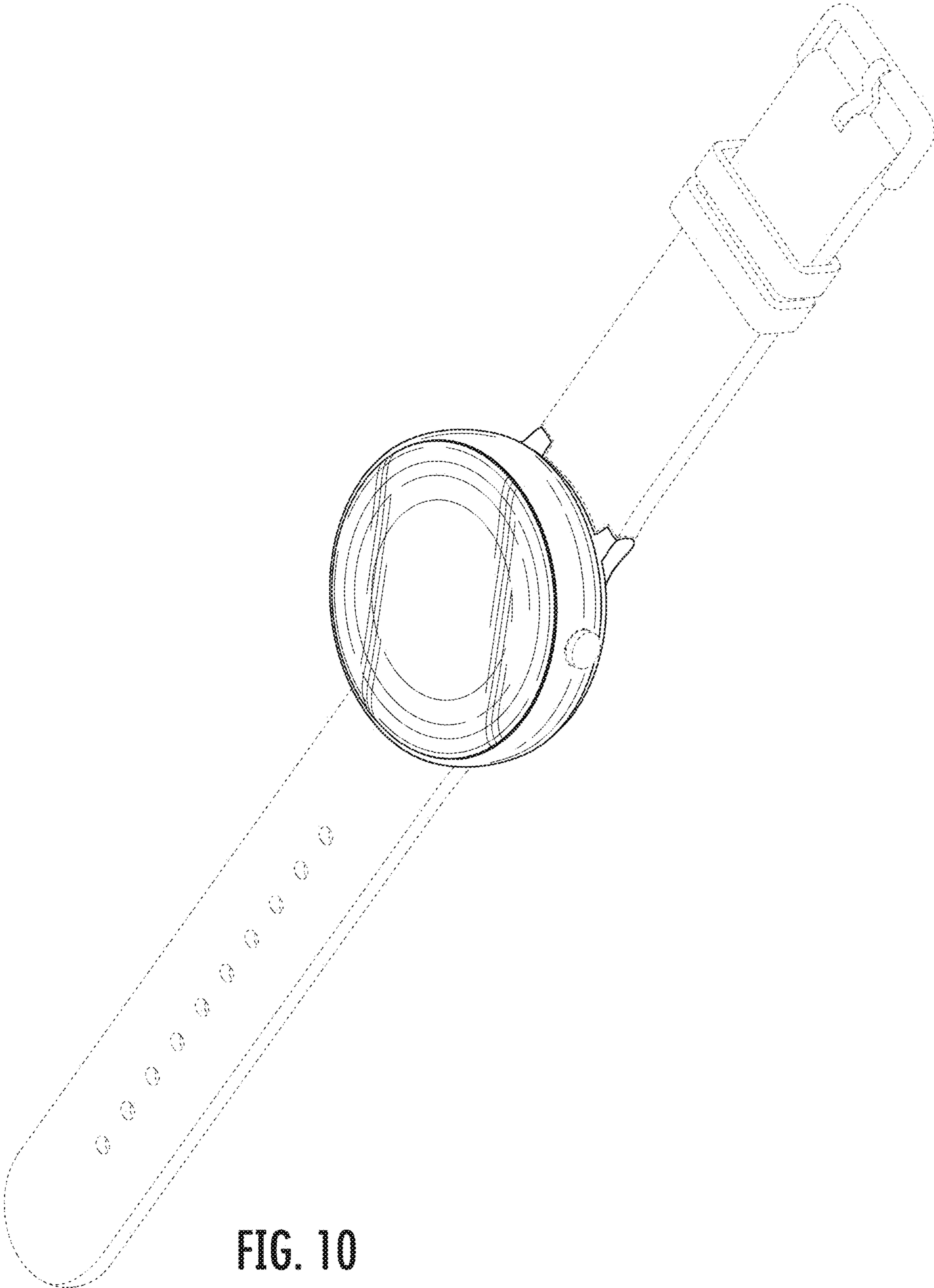


FIG. 10

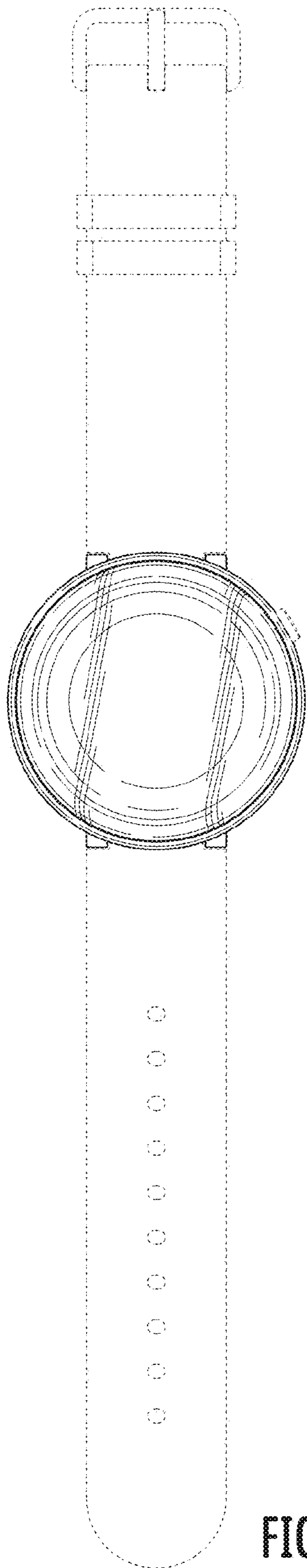


FIG. 11

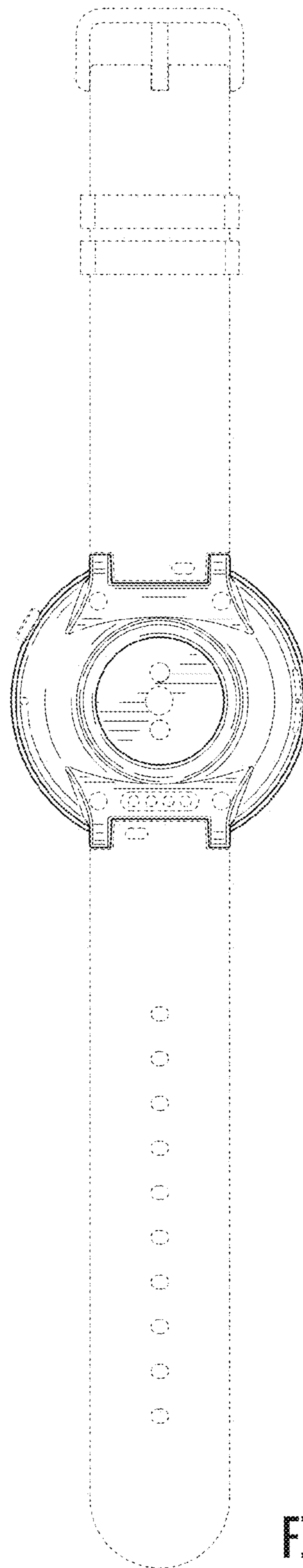


FIG. 12

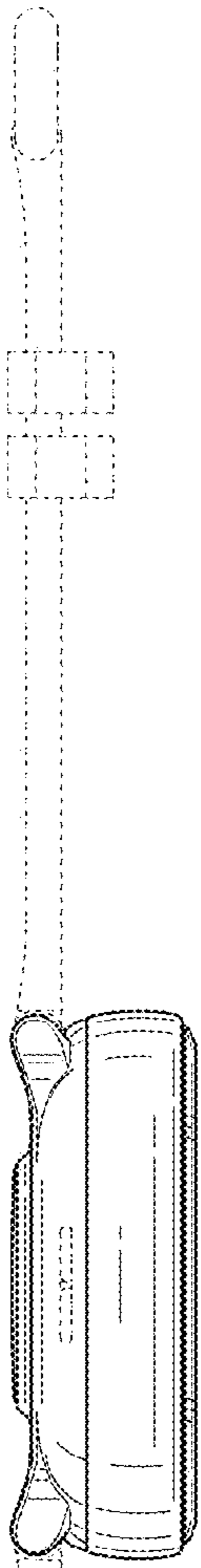


FIG. 13



FIG. 14

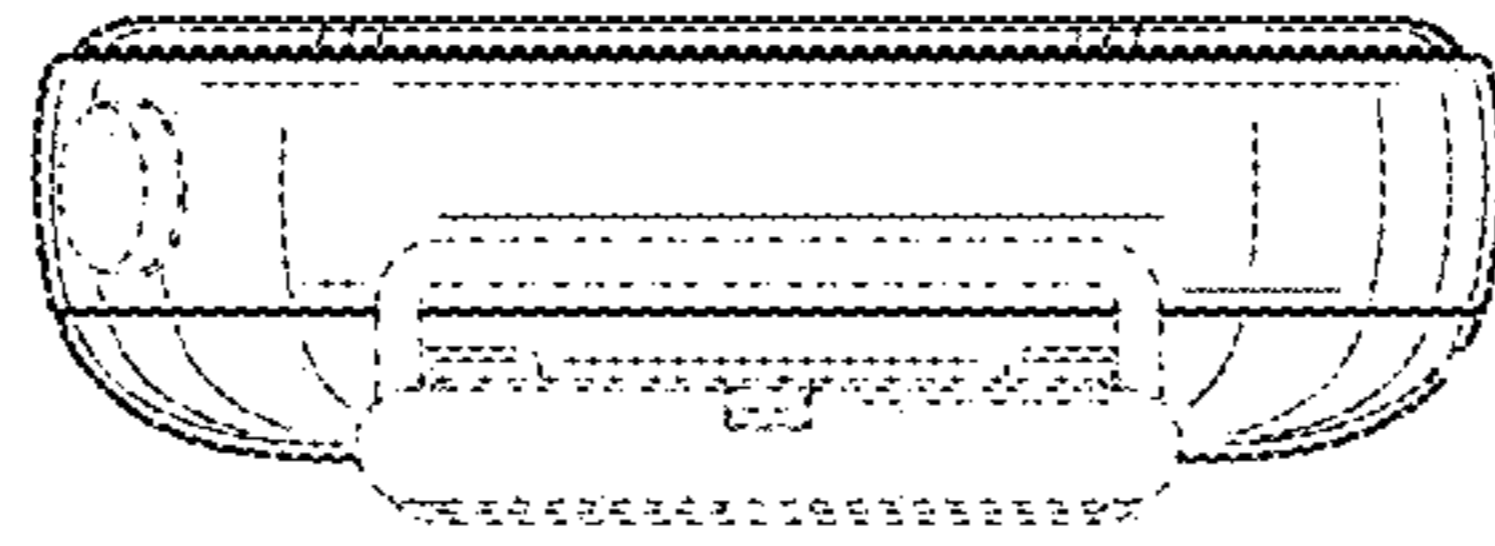


FIG. 15

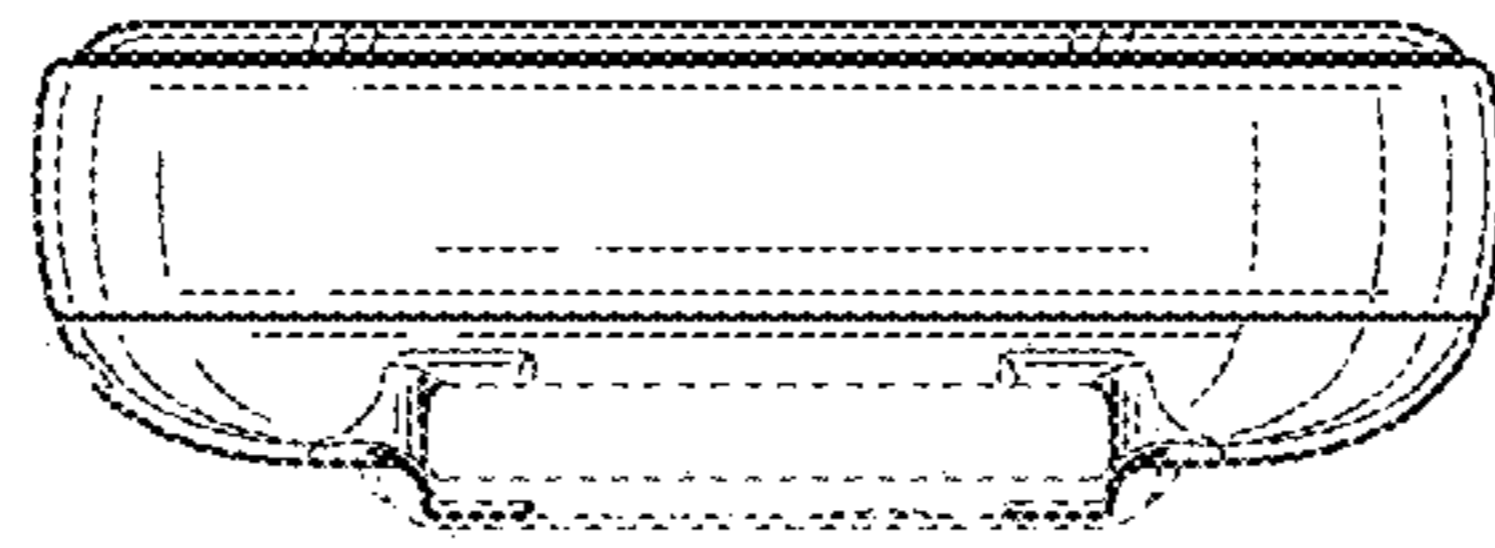


FIG. 16

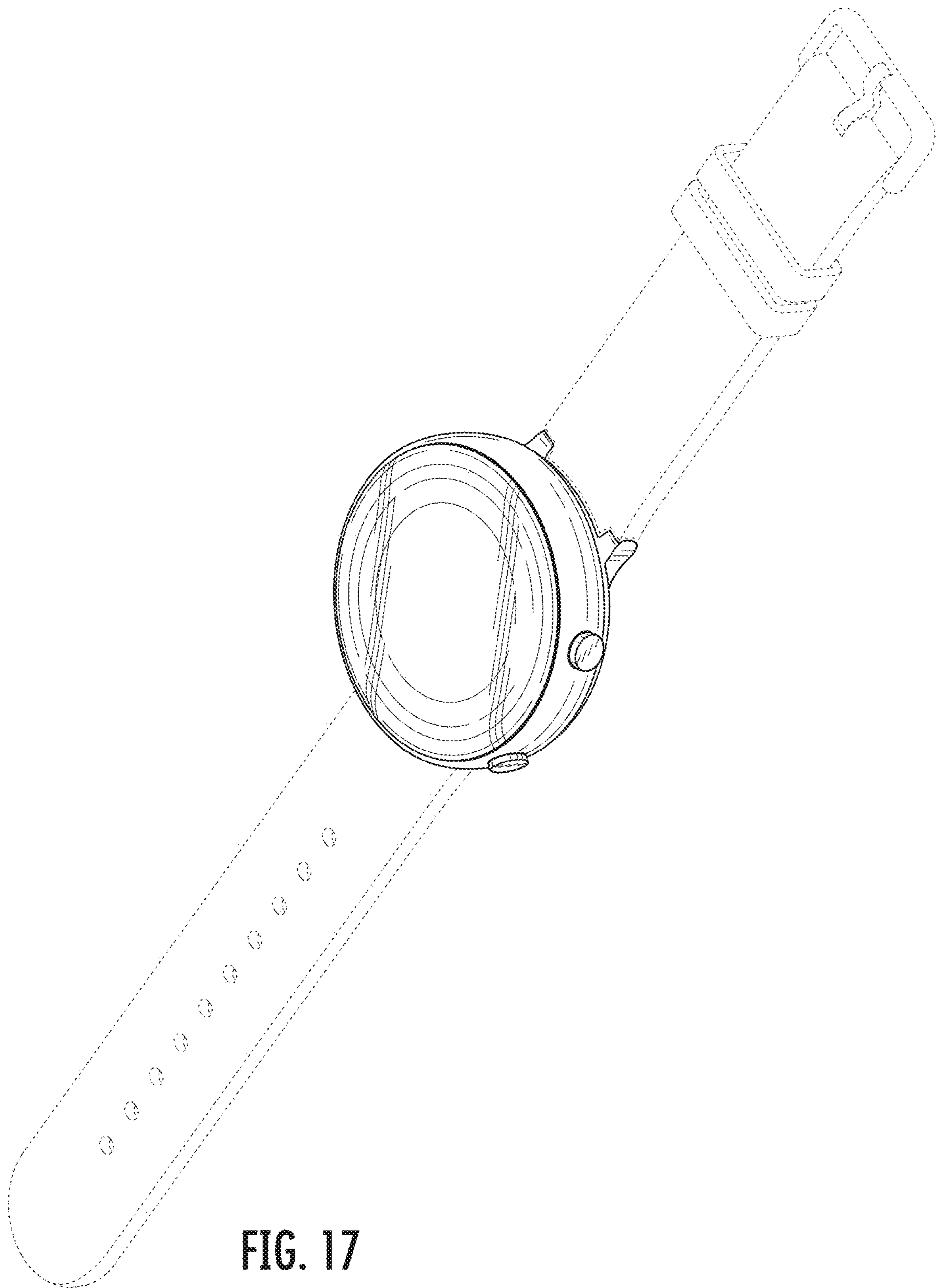
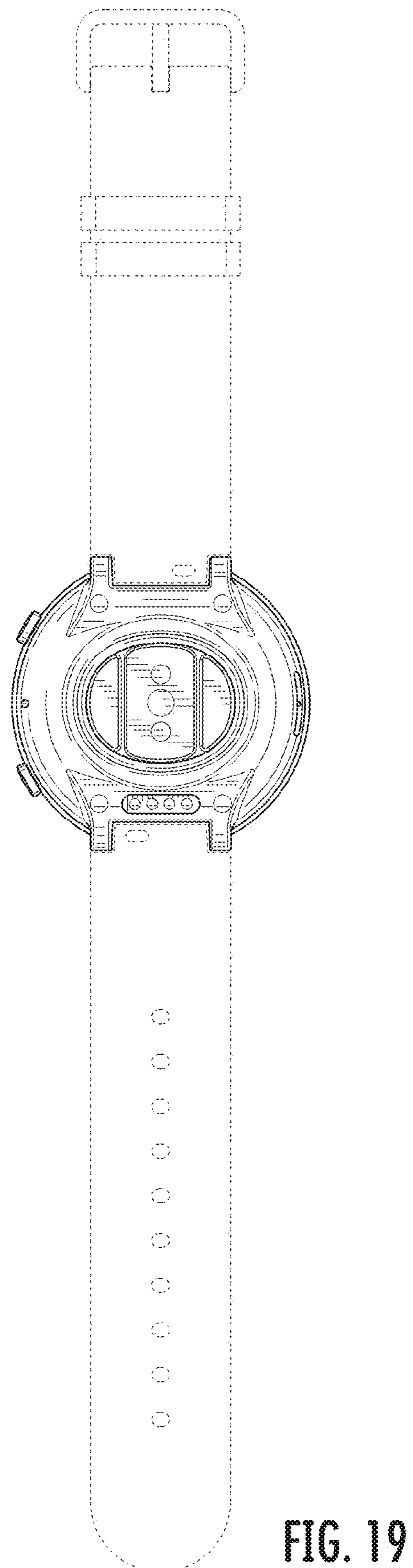
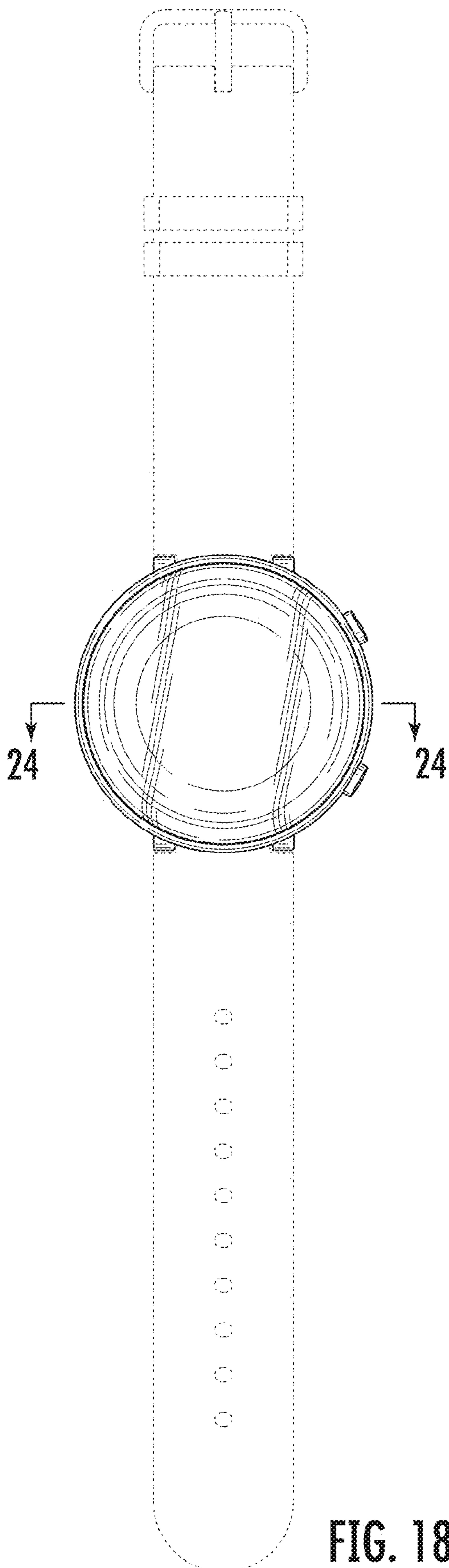


FIG. 17



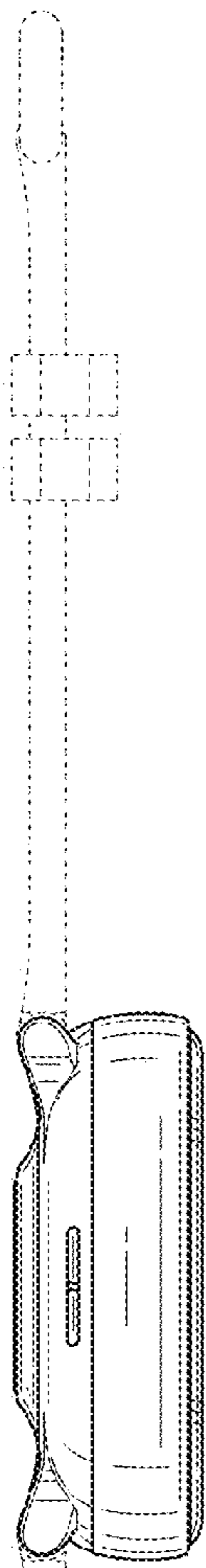


FIG. 20

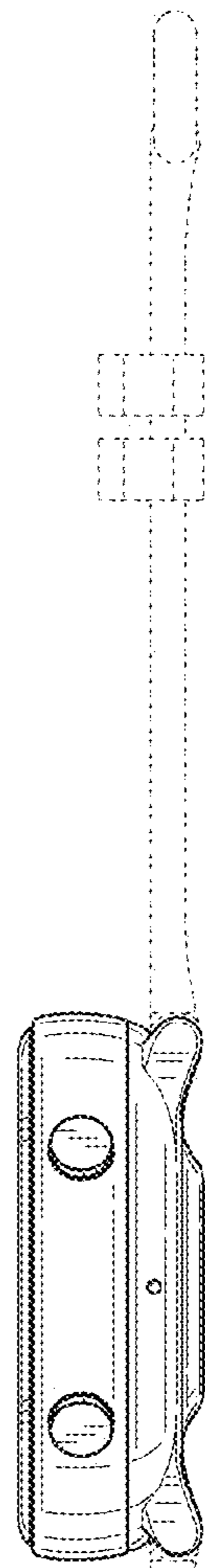


FIG. 21

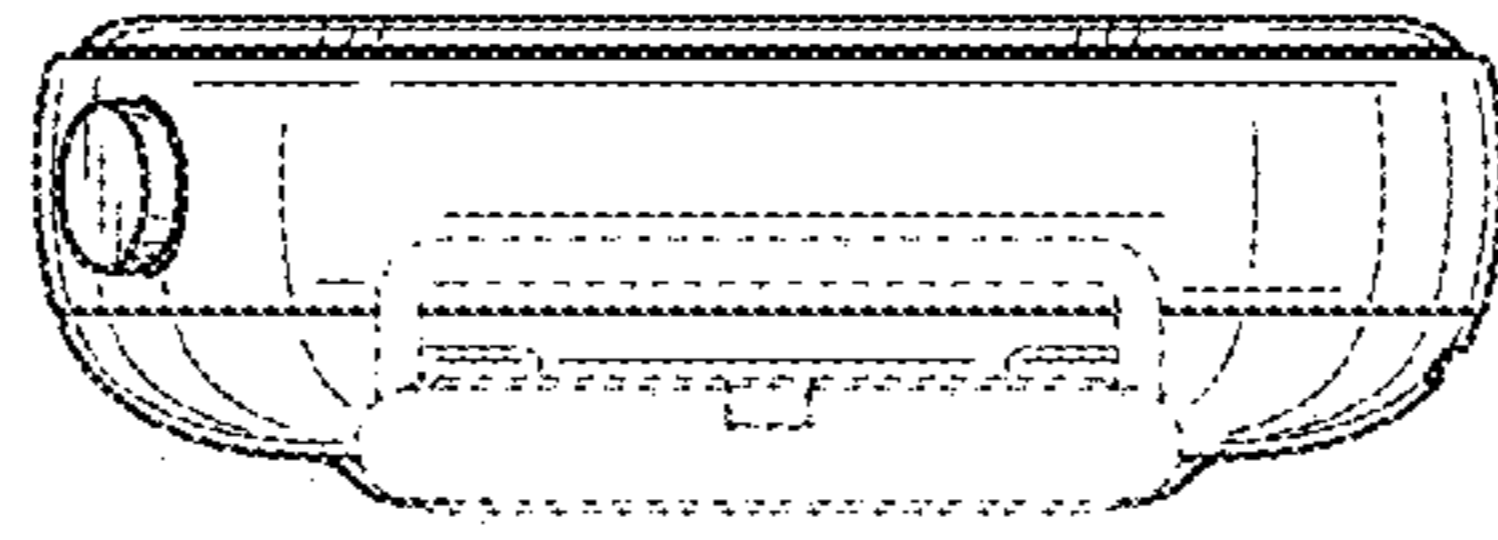


FIG. 22

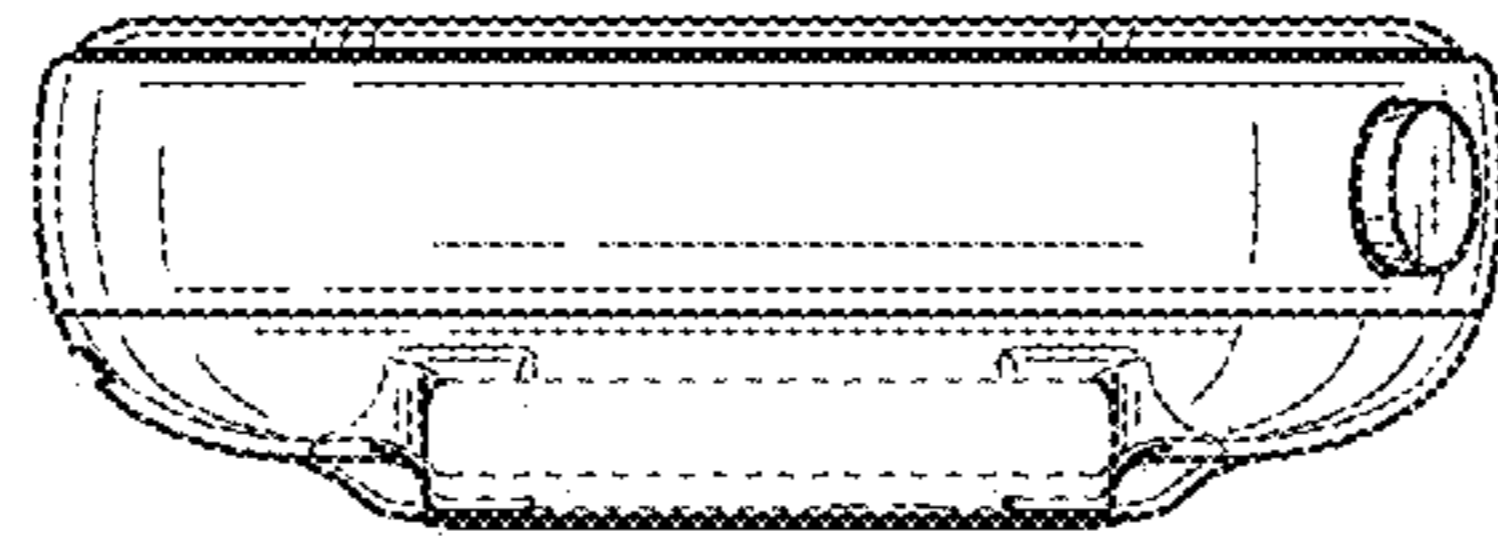


FIG. 23

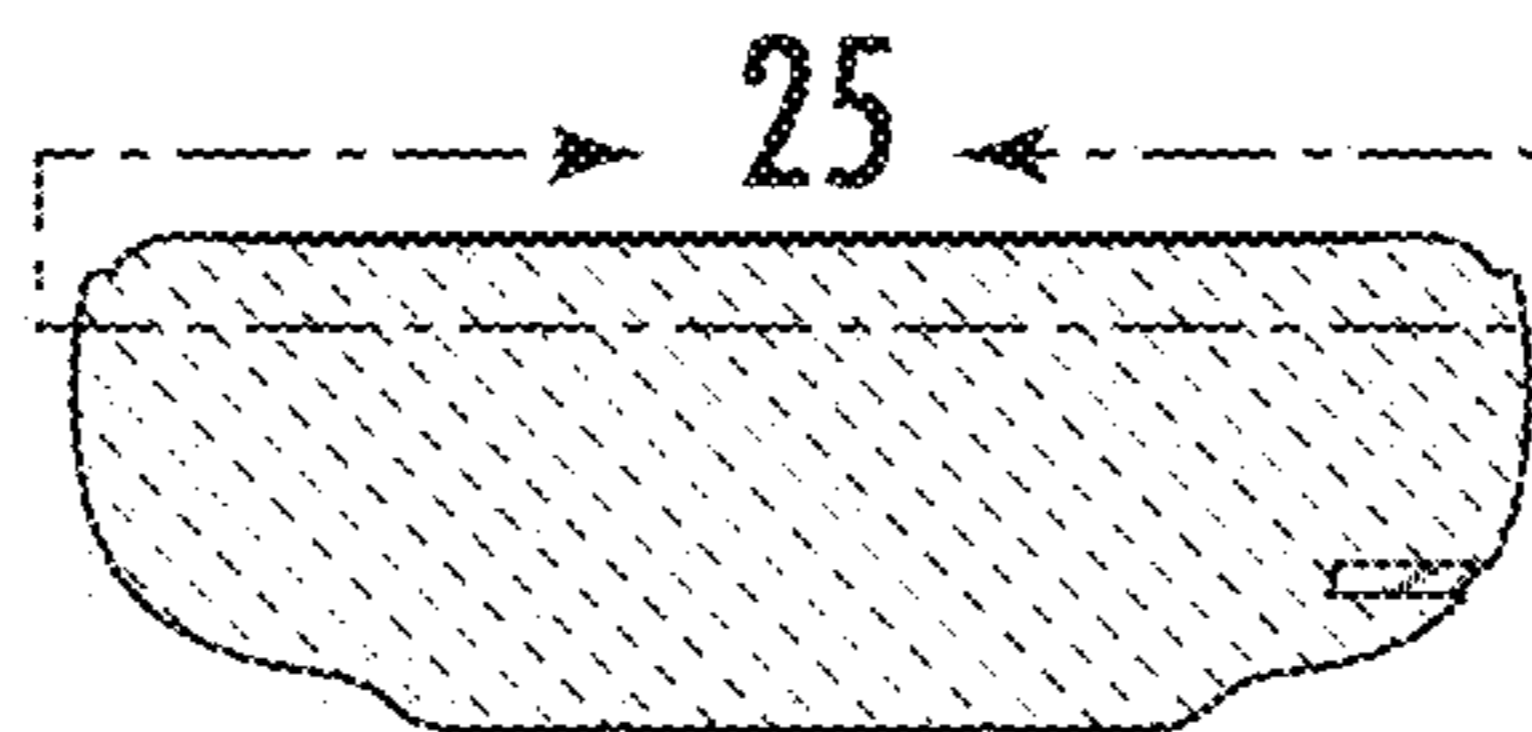


FIG. 24

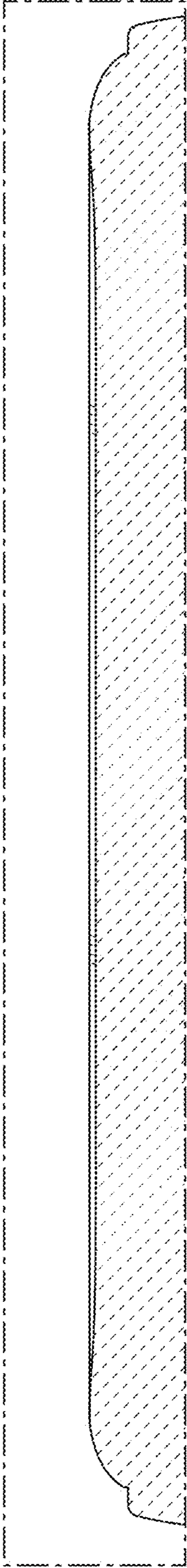


FIG. 25