



US00D915398S

(12) **United States Design Patent**  
**Yu et al.**

(10) **Patent No.:** **US D915,398 S**

(45) **Date of Patent:** **\*\* Apr. 6, 2021**

(54) **WEARABLE DEVICE**

(71) Applicants: **Zepp, Inc.**, Cupertino, CA (US); **Anhui Huami Information Technology Co., Ltd.**, Hefei (CN)

(72) Inventors: **Pengtao Yu**, Mountain View, CA (US); **Jing Fan**, Anhui (CN)

(73) Assignees: **Zepp, Inc.**, Cupertino, CA (US); **Anhui Huami Information Technology Co., Ltd.**, Anhui (CN)

(\*\*) Term: **15 Years**

(21) Appl. No.: **29/694,385**

(22) Filed: **Jun. 10, 2019**

(51) **LOC (13) Cl.** ..... **14-02**

(52) **U.S. Cl.**  
USPC ..... **D14/344**

(58) **Field of Classification Search**

USPC ... D14/138 R, 144, 341, 344, 358, 388, 218,  
D14/485-495; D10/30-39, 70, 98;  
(Continued)

(56) **References Cited**

U.S. PATENT DOCUMENTS

D600,138 S \* 9/2009 Tang ..... D10/30  
D638,725 S \* 5/2011 Morrison ..... D10/39  
(Continued)

*Primary Examiner* — George D. Kirschbaum

*Assistant Examiner* — Joseph J Kukella

(74) *Attorney, Agent, or Firm* — Young Basile Hanlon & MacFarlane, P.C.

(57) **CLAIM**

The ornamental design for a wearable device, as shown and described.

**DESCRIPTION**

FIG. 1 is a top, front, and right perspective view of a first embodiment of the wearable device showing our new design.

FIG. 2 is a bottom, rear, and right perspective view of the wearable device of FIG. 1.

FIG. 3 is a left side view of the wearable device of FIG. 1.

FIG. 4 is a front view of the wearable device of FIG. 1.

FIG. 5 is a right side view of the wearable device of FIG. 1.

FIG. 6 is a rear view of the wearable device of FIG. 1.

FIG. 7 is a top view of the wearable device of FIG. 1.

FIG. 8 is a bottom view of the wearable device of FIG. 1.

FIG. 9 is a top, front, and right perspective view of a second embodiment of the wearable device.

FIG. 10 is a bottom, rear, and right perspective view of the wearable device of FIG. 9.

FIG. 11 is a left side view of the wearable device of FIG. 9.

FIG. 12 is a front view of the wearable device of FIG. 9.

FIG. 13 is a right side view of the wearable device of FIG. 9.

FIG. 14 is a rear view of the wearable device of FIG. 9.

FIG. 15 is a top view of the wearable device of FIG. 9.

FIG. 16 is a bottom view of the wearable device of FIG. 9.

FIG. 17 is a top, front, and right perspective view of a third embodiment of the wearable device.

FIG. 18 is a bottom, rear, and right perspective view of the wearable device of FIG. 17.

FIG. 19 is a left side view of the wearable device of FIG. 17.

FIG. 20 is a front view of the wearable device of FIG. 17.

FIG. 21 is a right side view of the wearable device of FIG. 17.

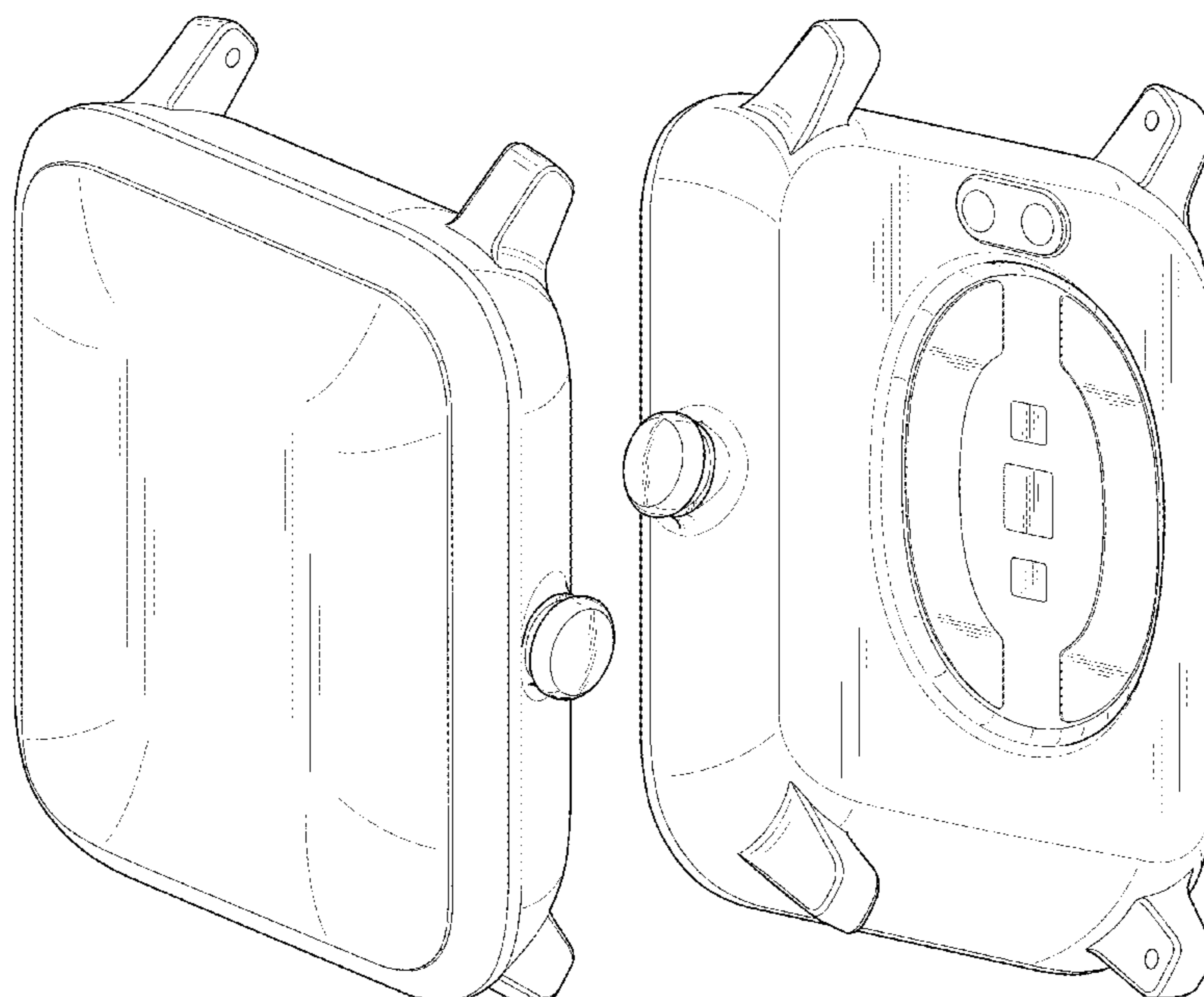
FIG. 22 is a rear view of the wearable device of FIG. 17.

FIG. 23 is a top view of the wearable device of FIG. 17; and,

FIG. 24 is a bottom view of the wearable device of FIG. 17.

The broken lines shown in the drawings depict portions of the wearable device that form no part of the claimed design.

**1 Claim, 15 Drawing Sheets**



(58) **Field of Classification Search**

USPC ..... D11/3, 4, 26, 93–94, 78.1, 79, 86;  
 D24/167, 169, 186–187, 164  
 CPC .... A41D 1/002; A41D 19/0034; G04G 17/00;  
 G04G 17/02; G04G 17/08; G04G 17/083;  
 G04G 17/086; G04C 3/00; G04C 3/001;  
 G04C 3/002; G04C 3/004; G04C 3/005;  
 G04C 3/007; G04C 17/00; G04C 23/02;  
 G04C 23/04; G04B 3/04; G04B 19/24;  
 G04B 19/26; G04B 37/00; G04B  
 45/0069; G04B 47/04; G04B 37/0008;  
 G04B 37/0058; G04B 37/12; G04B  
 37/18; G04B 45/00; G04B 47/00; G04B  
 47/042; G04B 47/06; G04B 47/063

See application file for complete search history.

(56) **References Cited**

## U.S. PATENT DOCUMENTS

D724,556	S *	3/2015	Choi	.....	D10/32
D729,237	S *	5/2015	Fagnot	.....	D14/344
D739,768	S *	9/2015	Hanshaw	.....	D10/30
D760,717	S *	7/2016	Solomon	.....	D14/344
D761,675	S *	7/2016	Thaveeprungsriporn	.....	D10/38
D784,325	S *	4/2017	Kim	.....	D14/341
D786,241	S *	5/2017	Chuang	.....	D14/344
D802,587	S *	11/2017	Lee	.....	D14/344
D837,206	S *	1/2019	Guan	.....	D14/344
D839,753	S *	2/2019	Domke	.....	D10/30
D865,546	S *	11/2019	Kellock	.....	D10/70
D866,350	S *	11/2019	Park	.....	D10/38
D876,244	S *	2/2020	Park	.....	D10/32
D887,406	S *	6/2020	Mao	.....	D14/344
2017/0181510	A1 *	6/2017	Novak	.....	A44C 5/185

\* cited by examiner

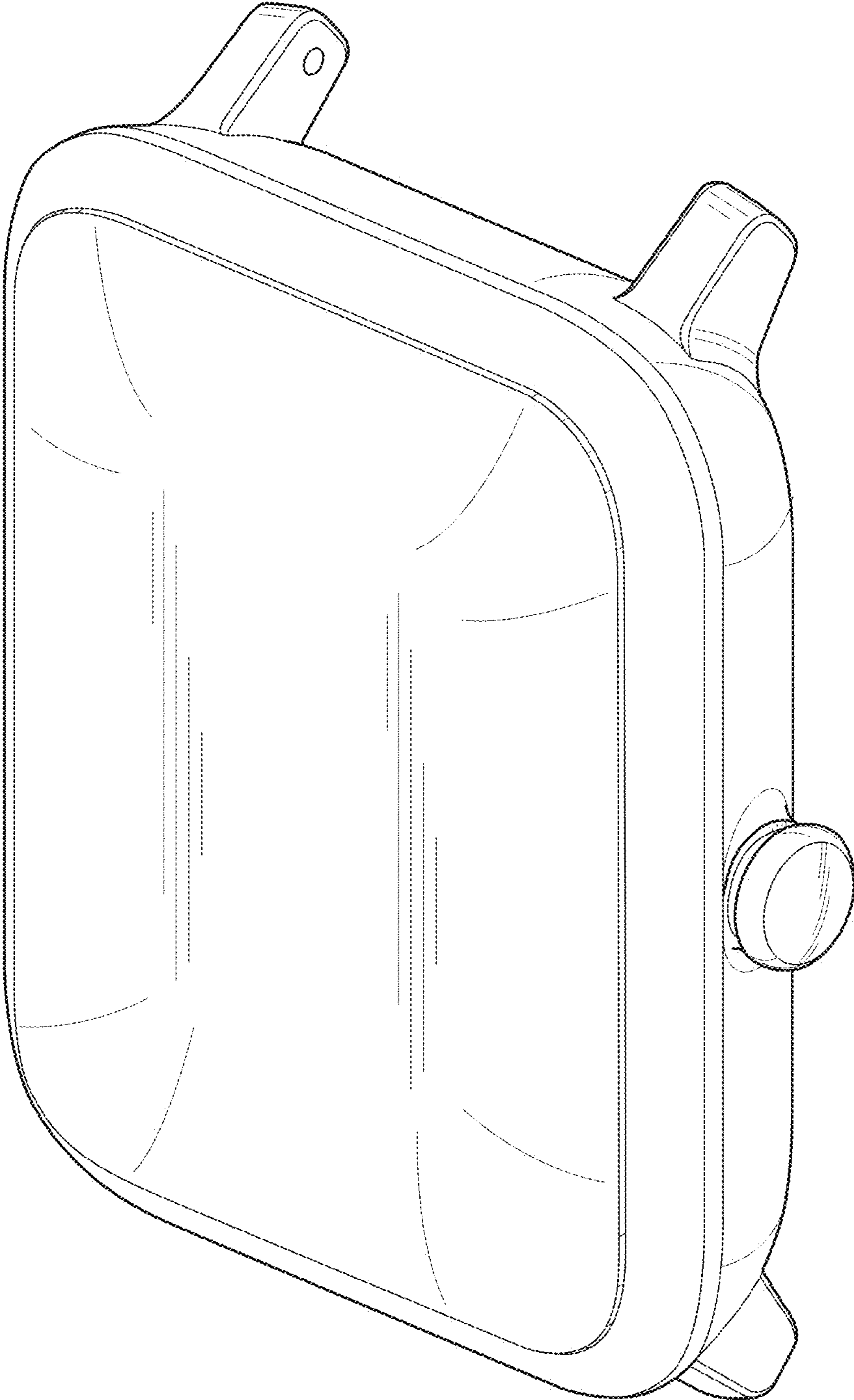


FIG. 1

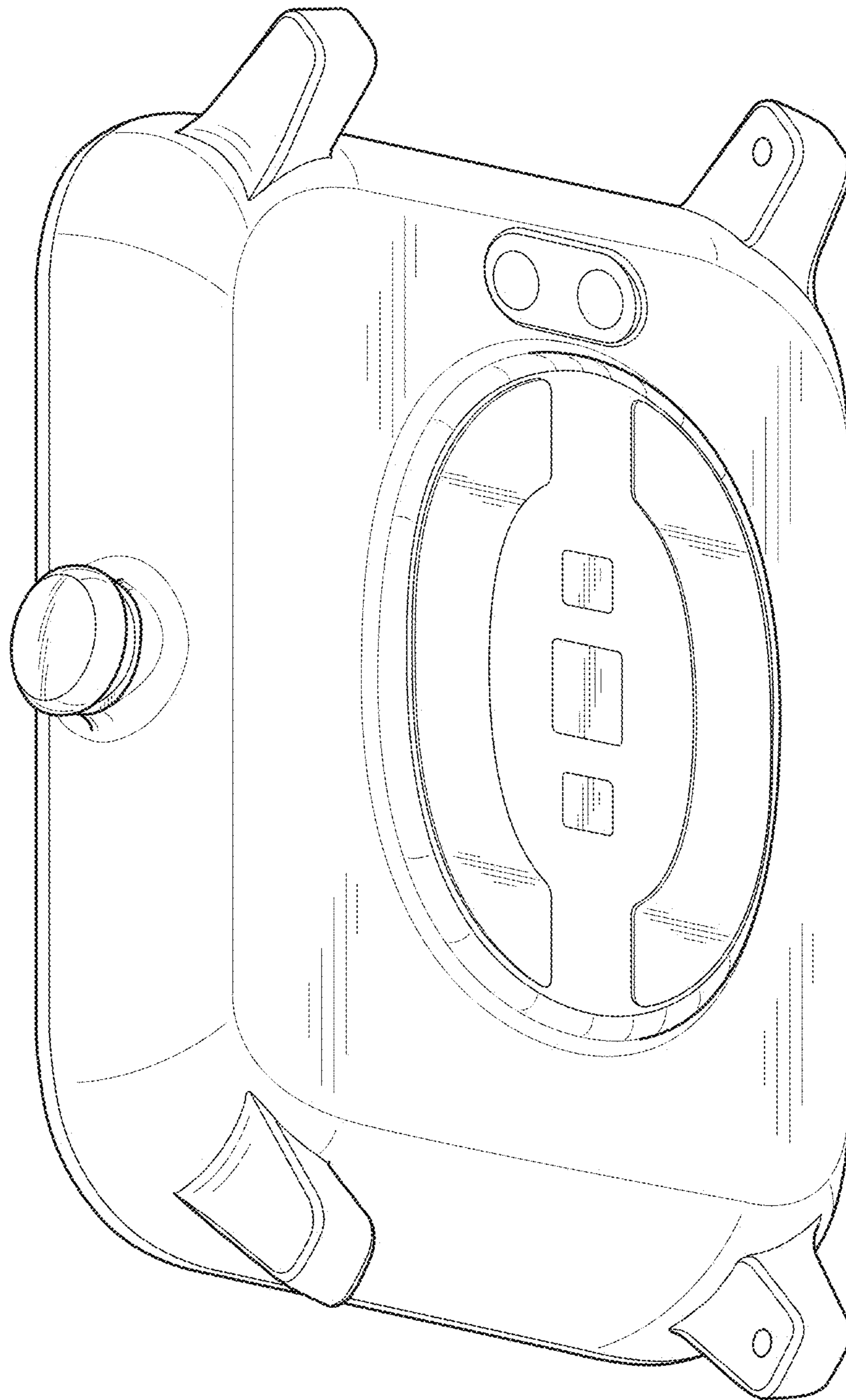


FIG. 2



FIG. 4

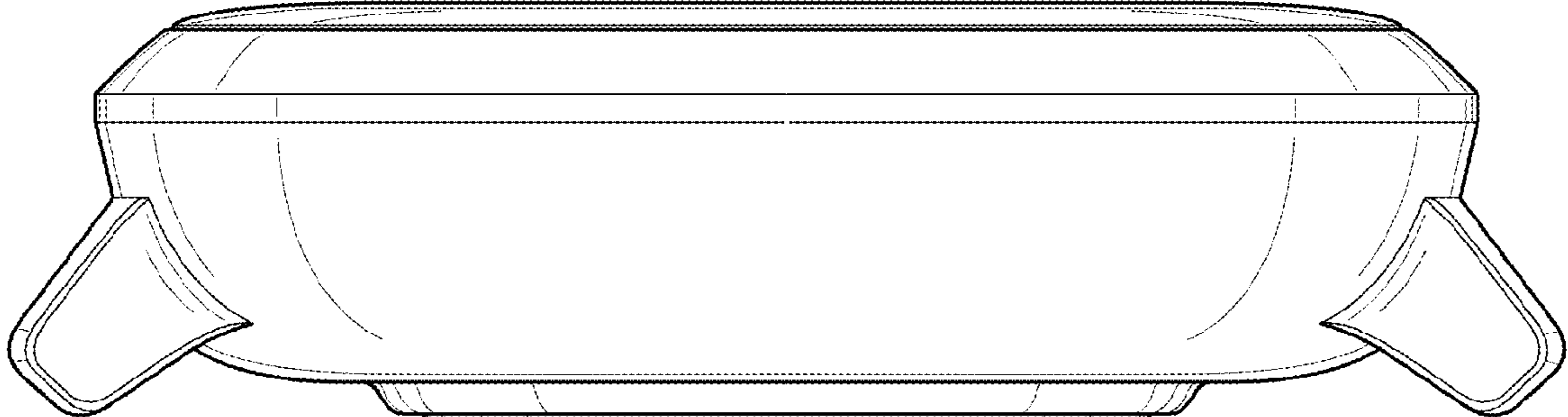


FIG. 3

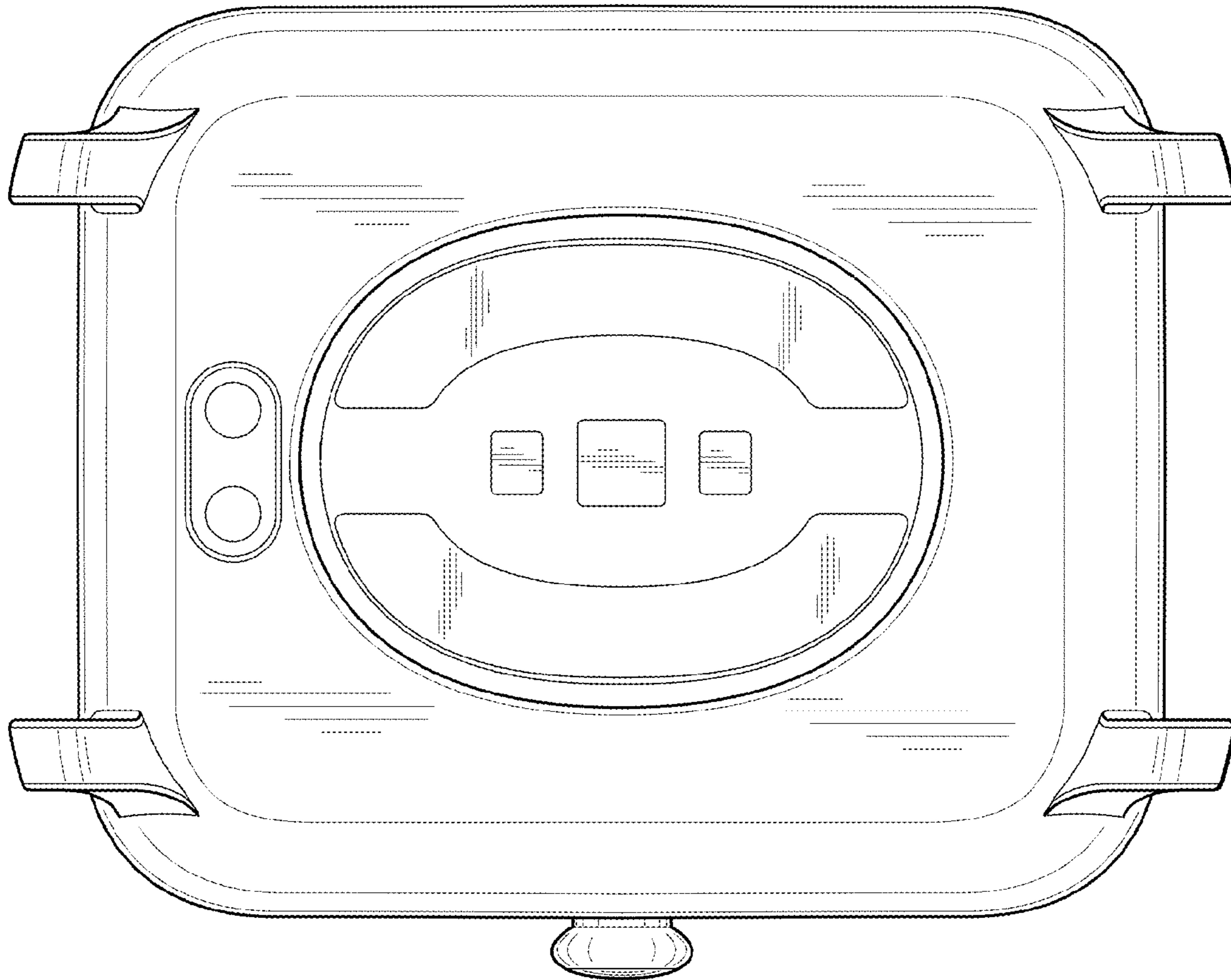


FIG. 6

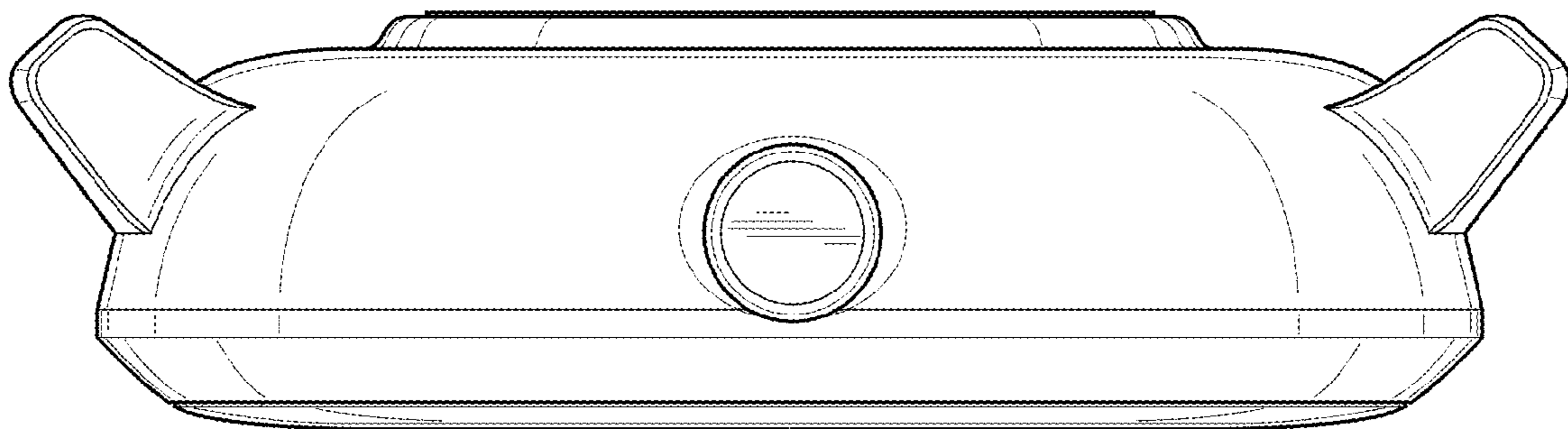


FIG. 5

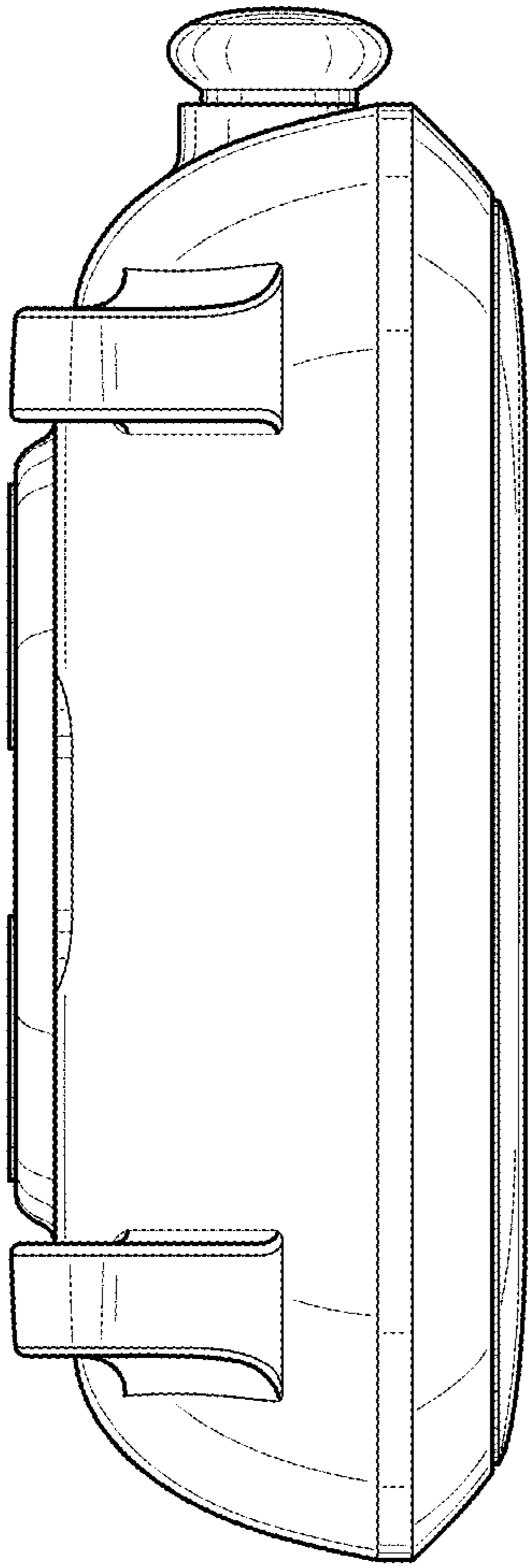


FIG. 7

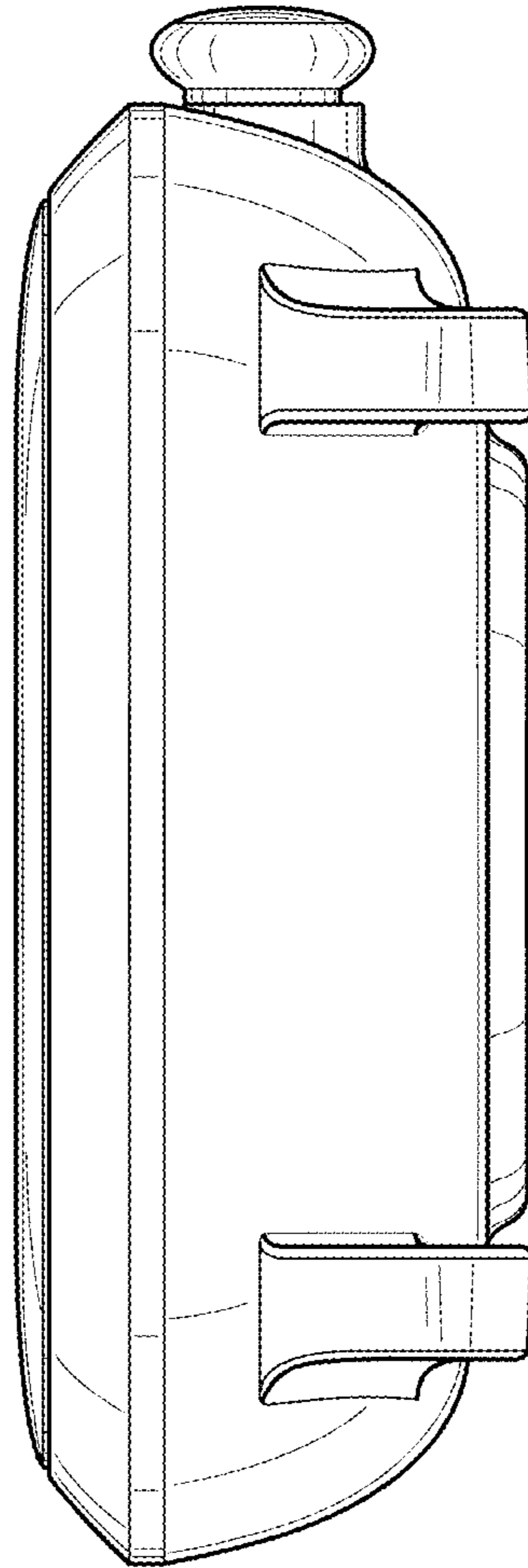
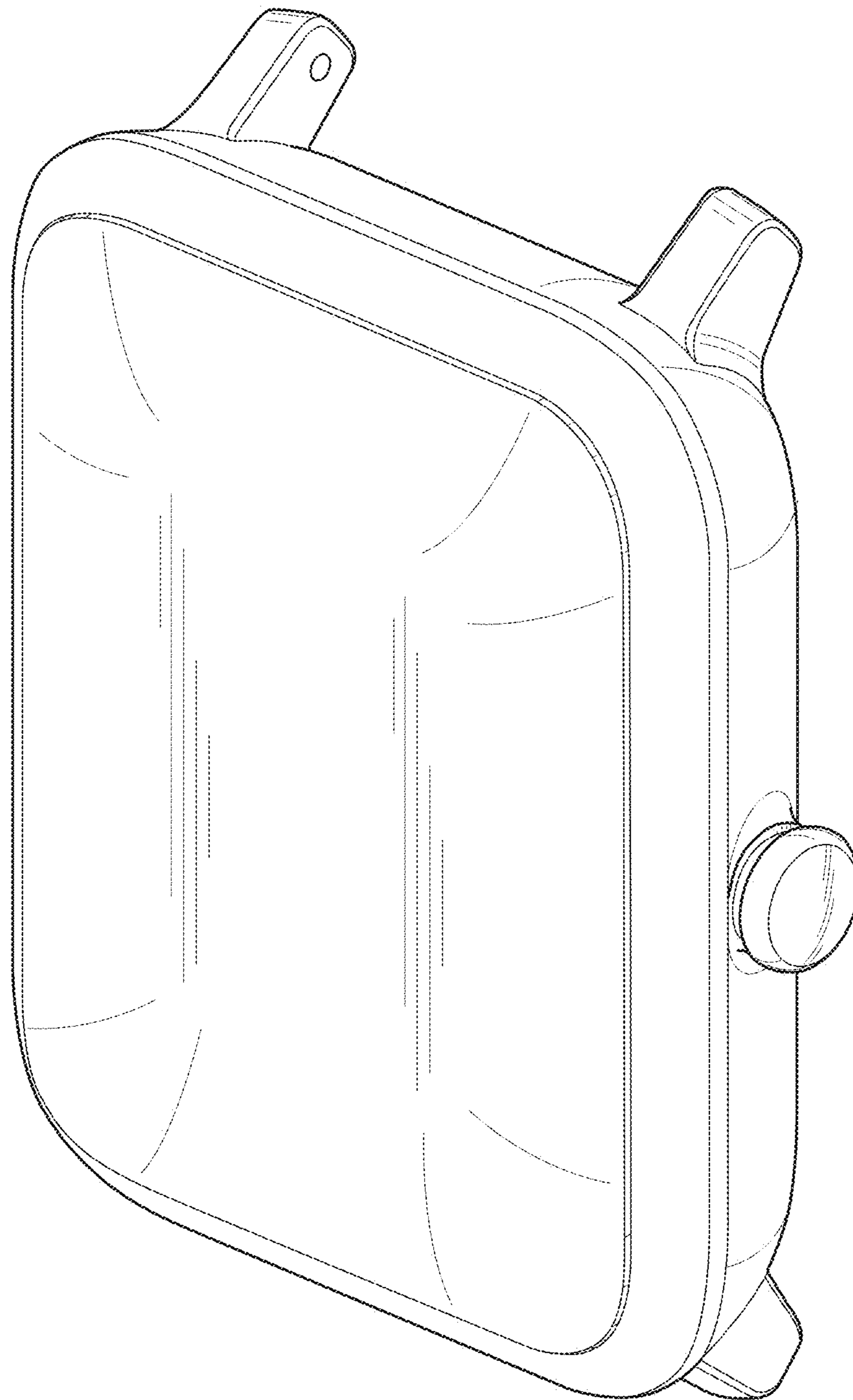


FIG. 8



**FIG. 9**



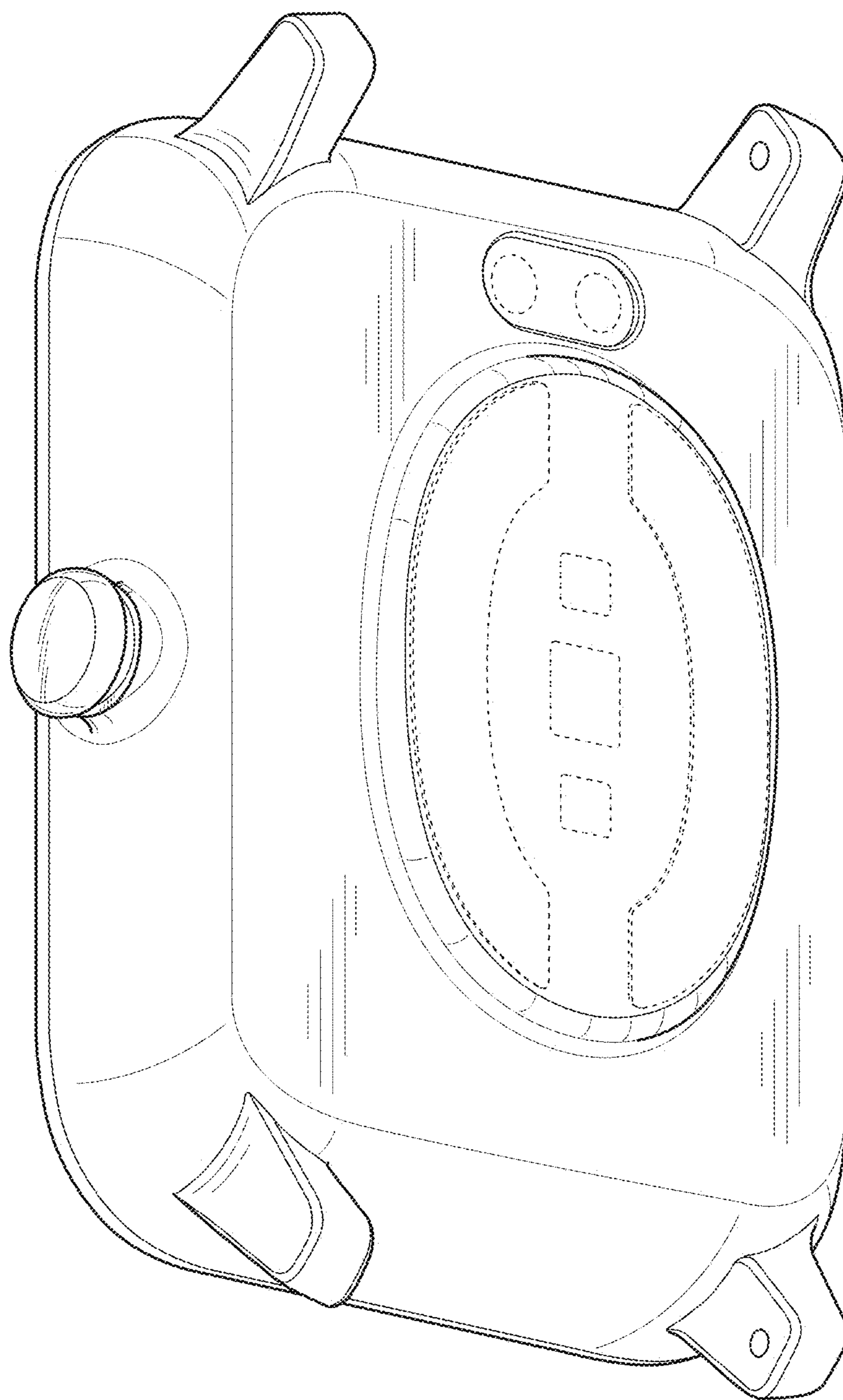


FIG. 10



FIG. 12

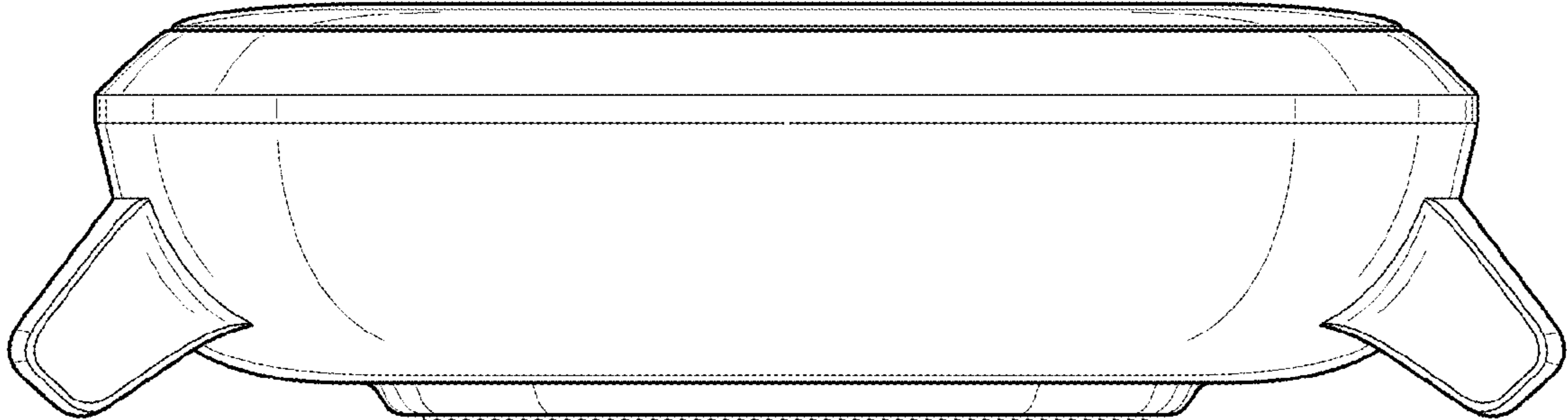


FIG. 11

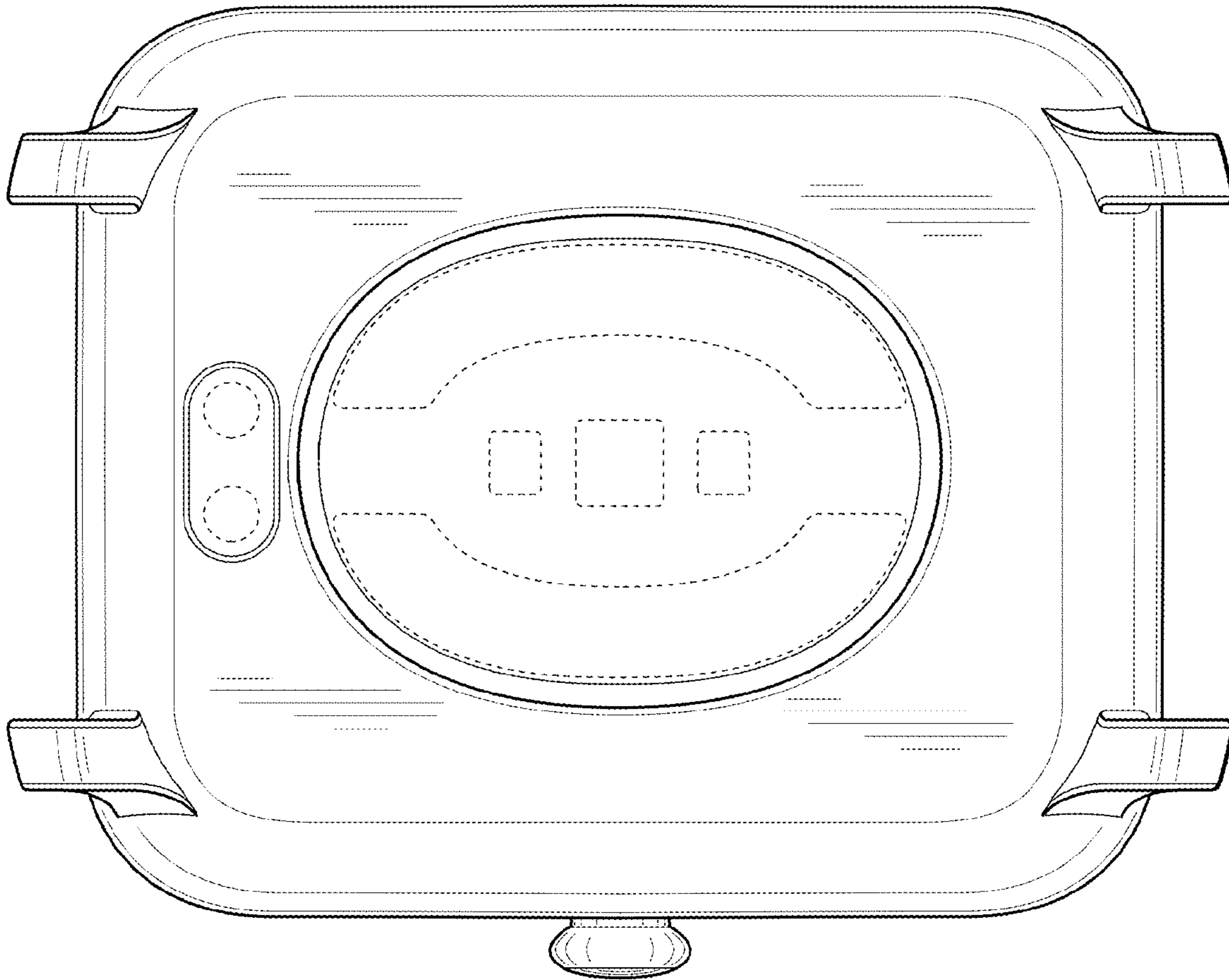


FIG. 14

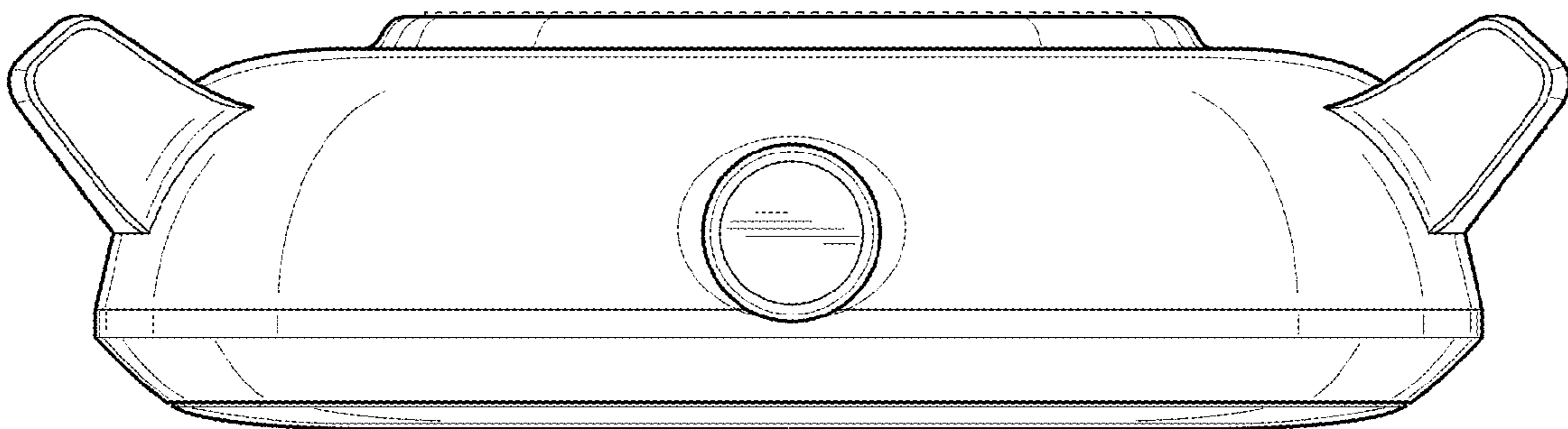


FIG. 13

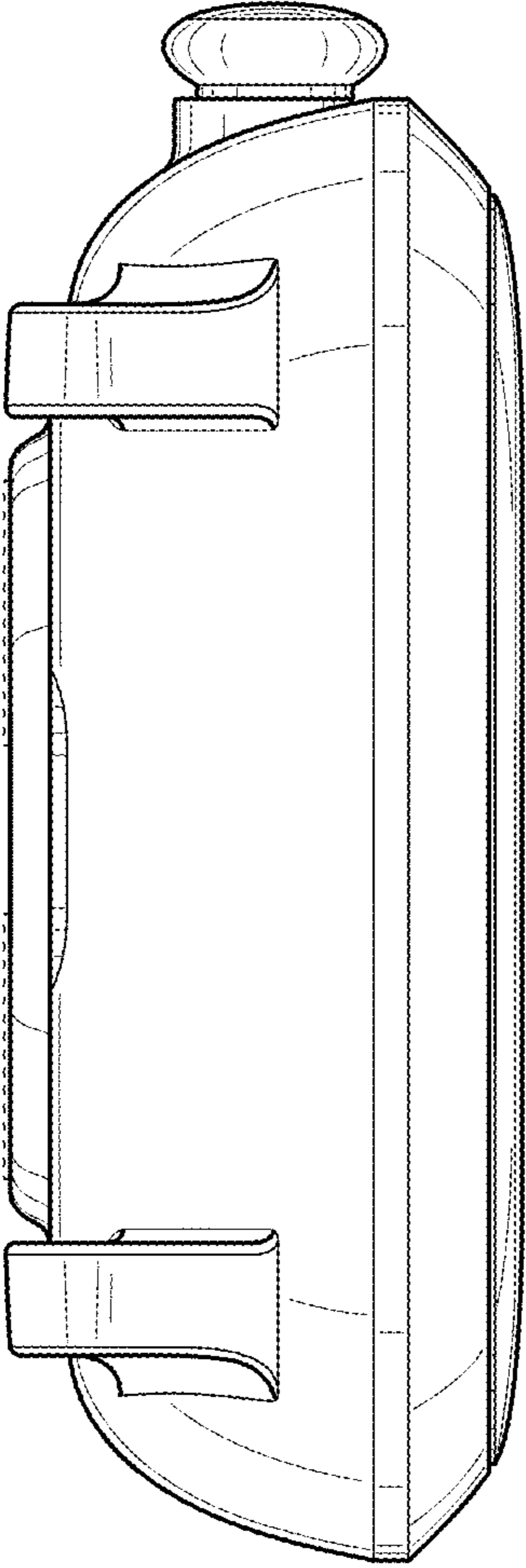


FIG. 15

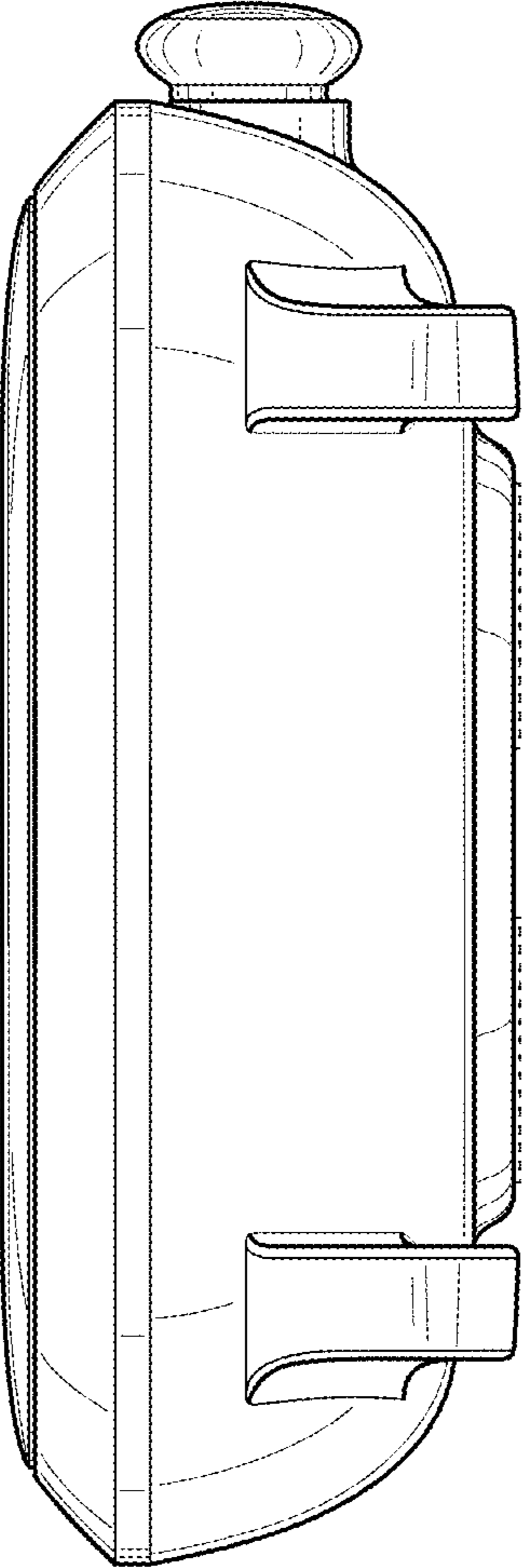


FIG. 16

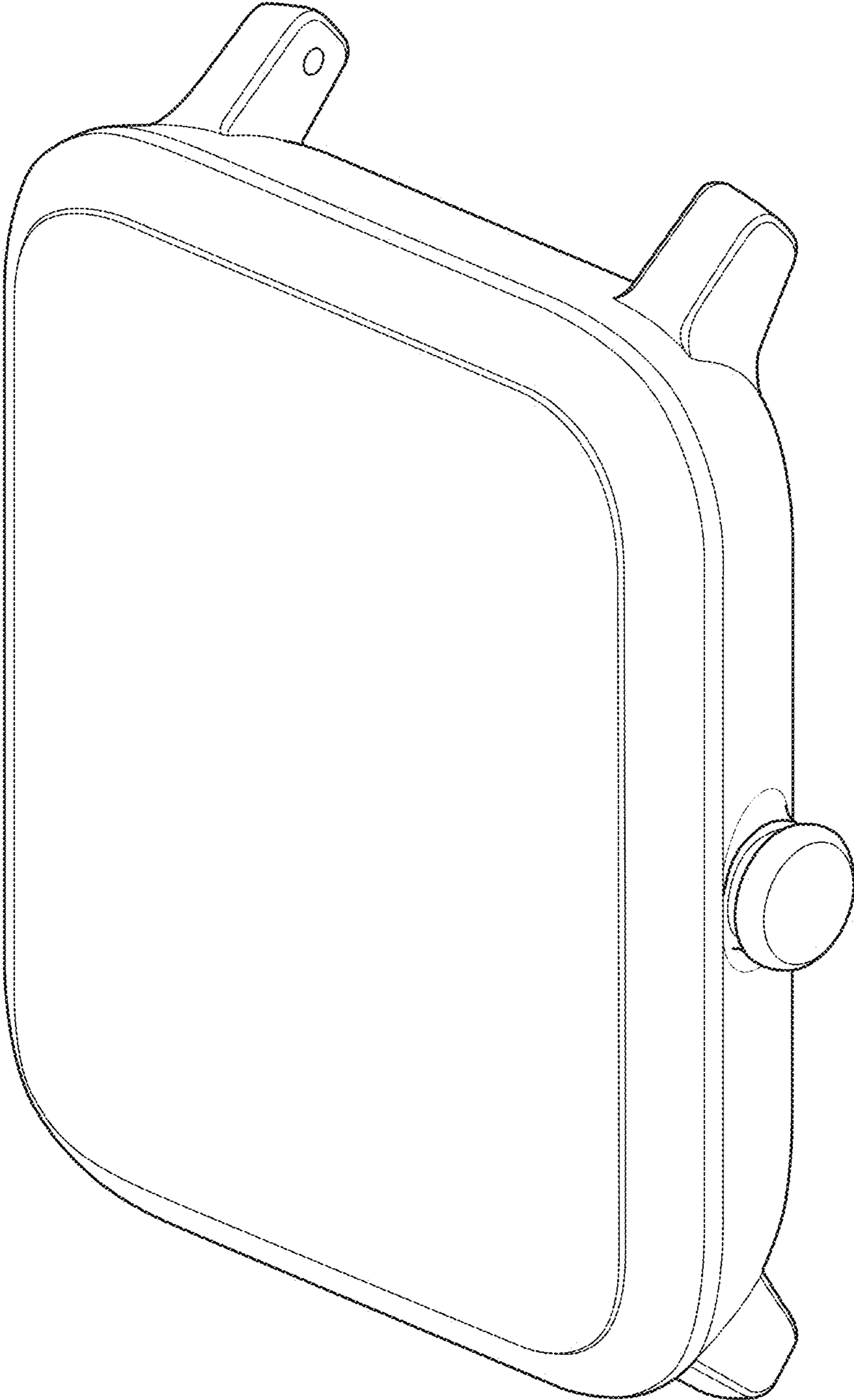


FIG. 17

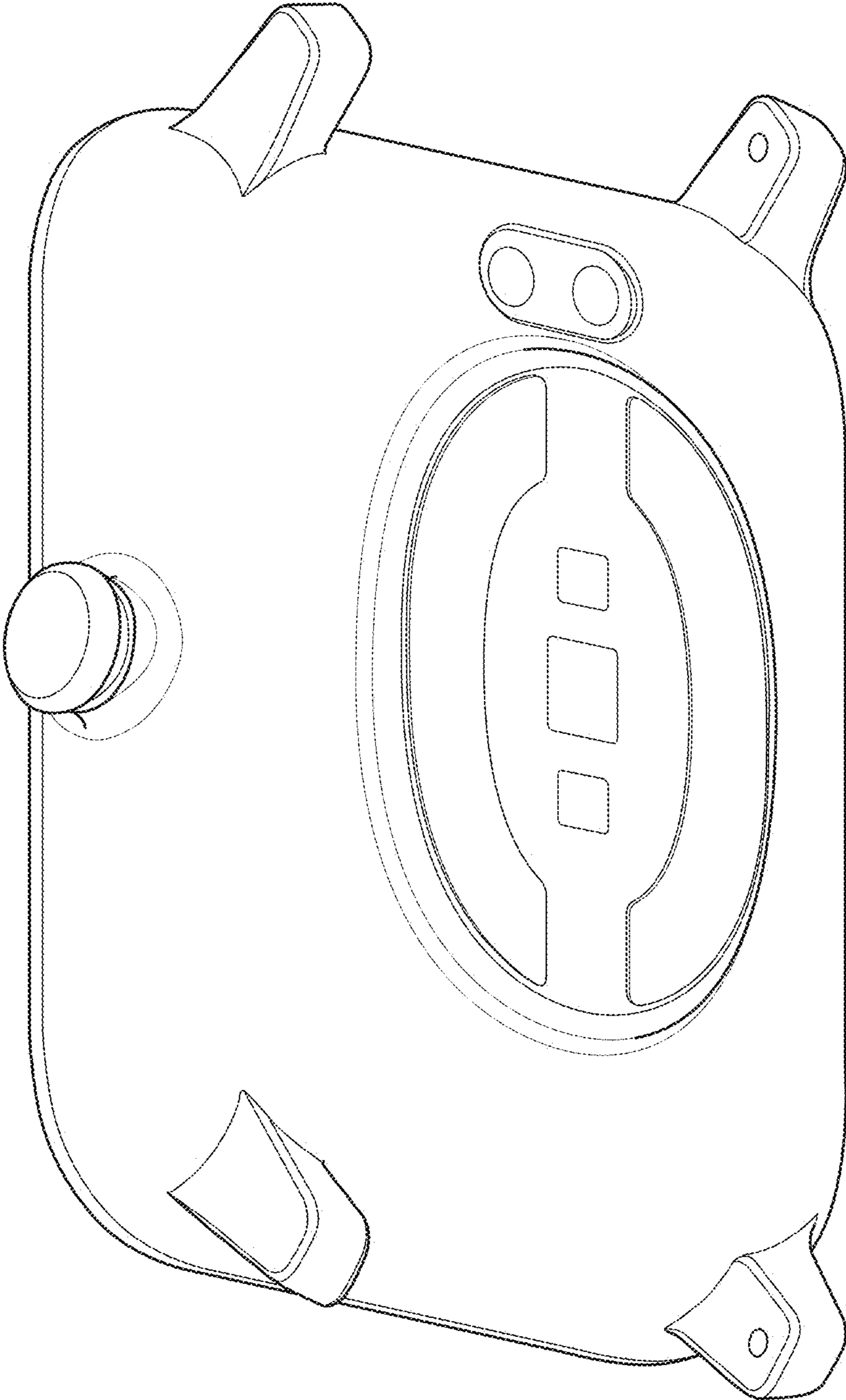


FIG. 18

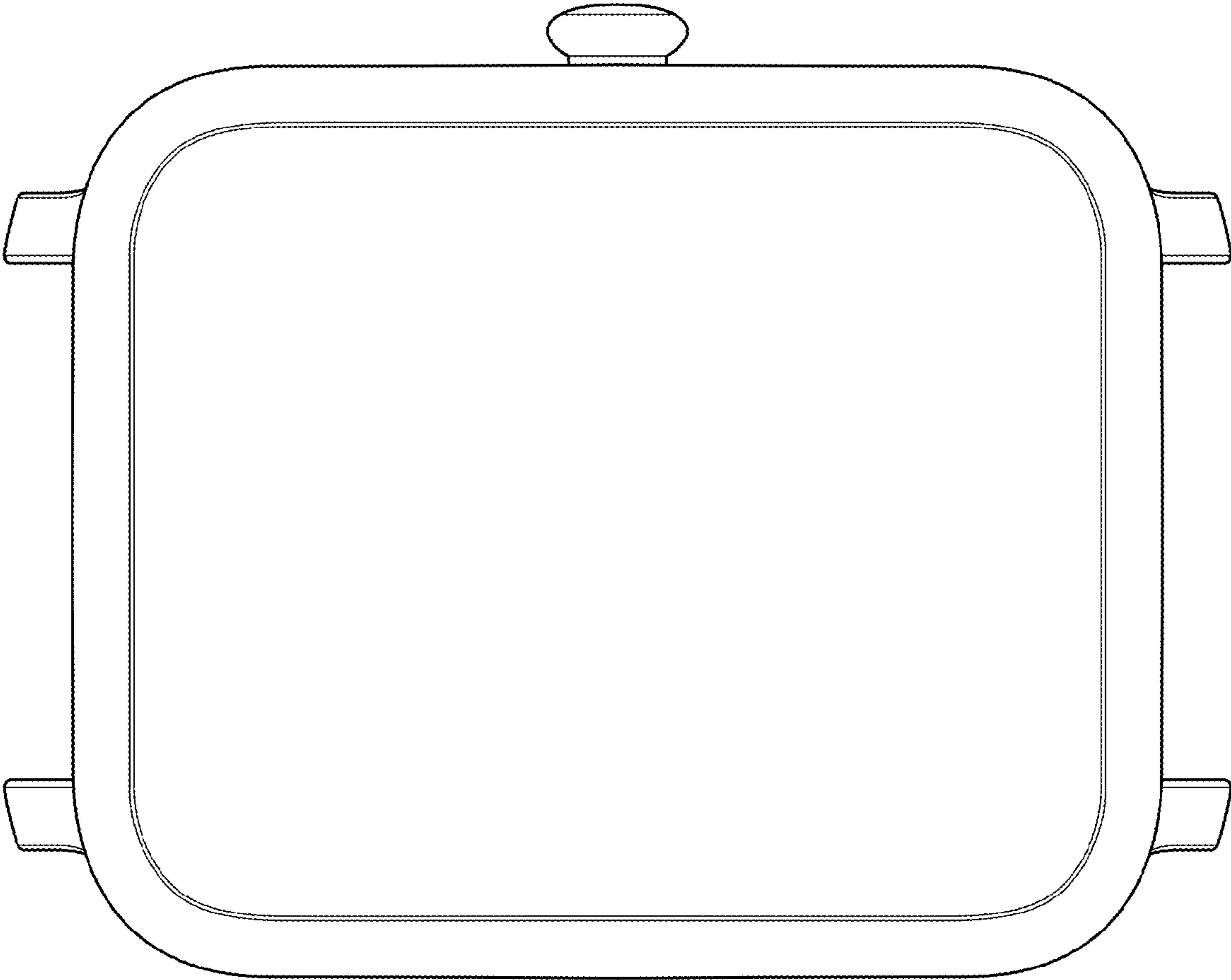


FIG. 20

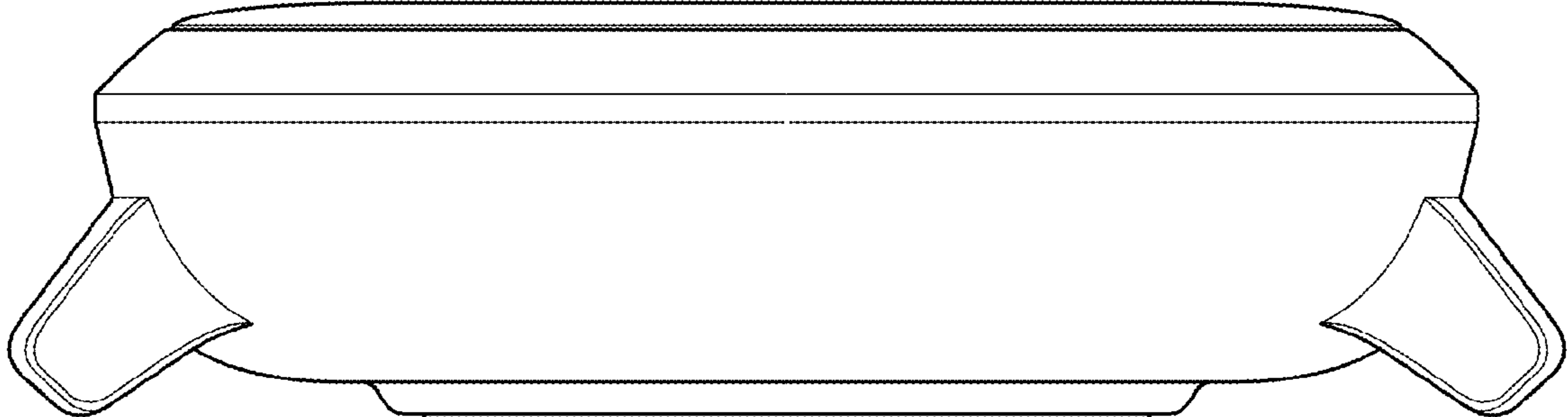


FIG. 19

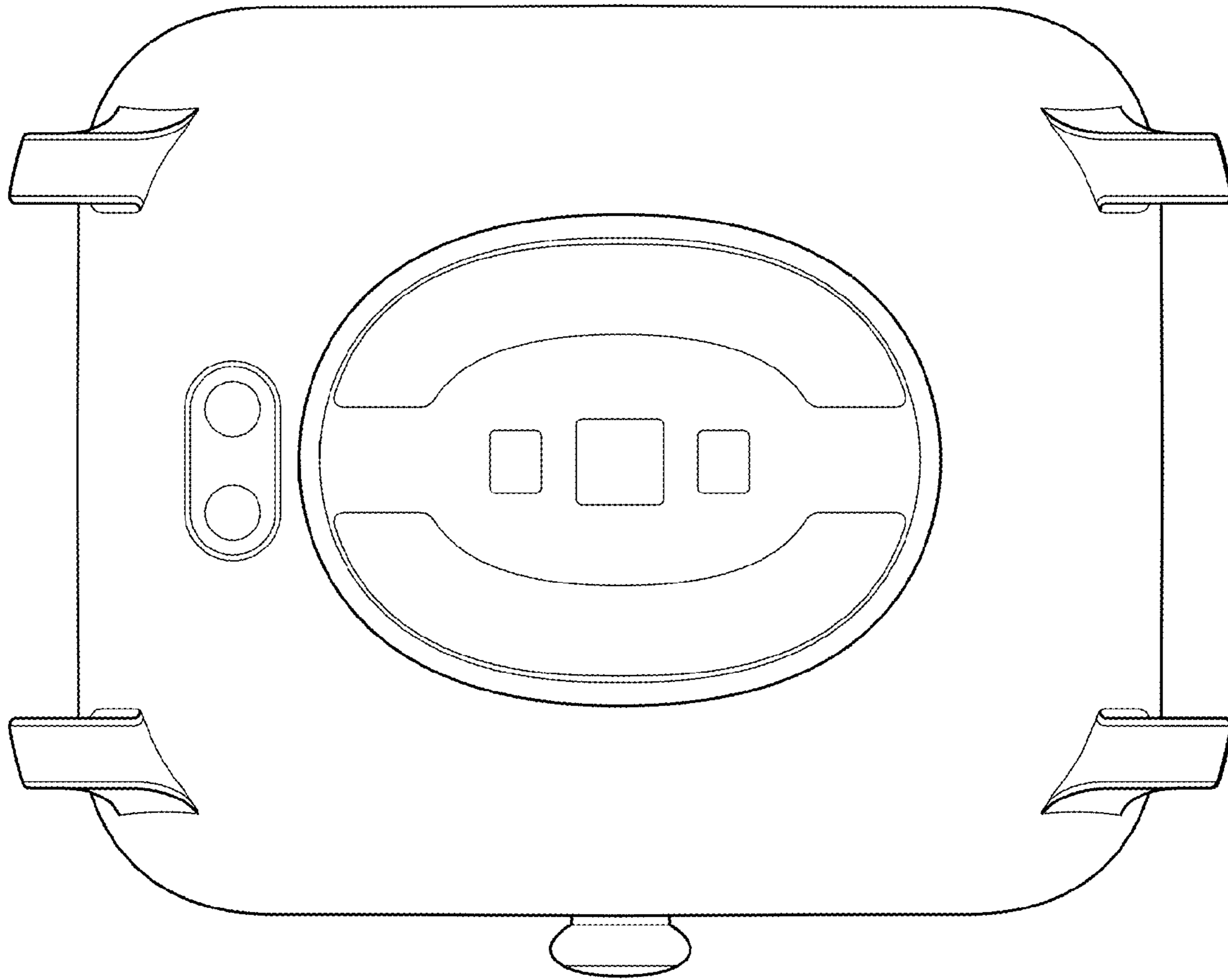


FIG. 21

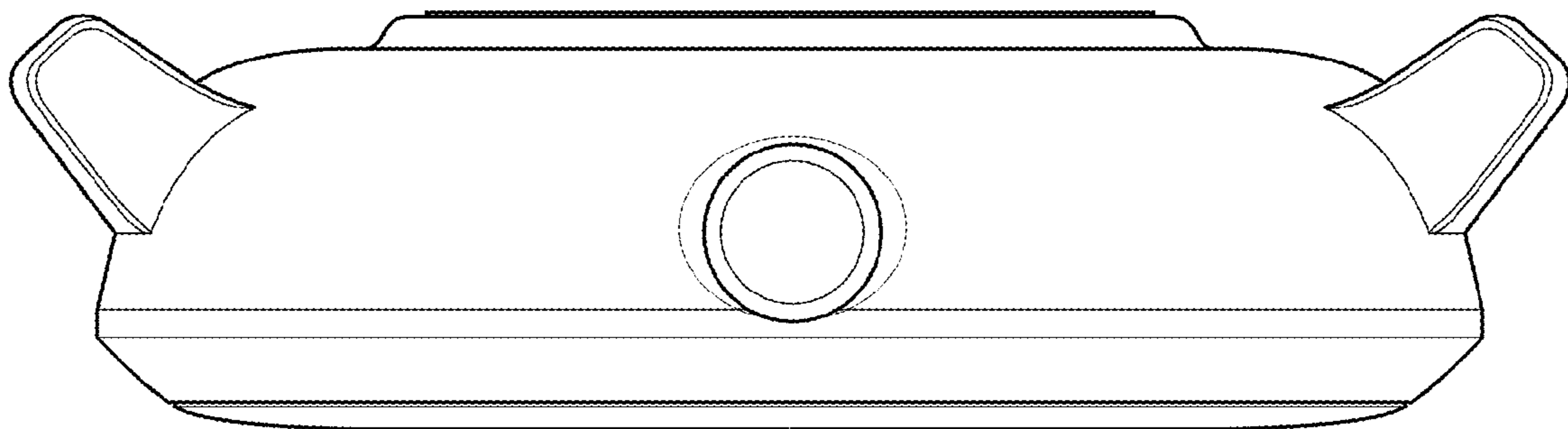
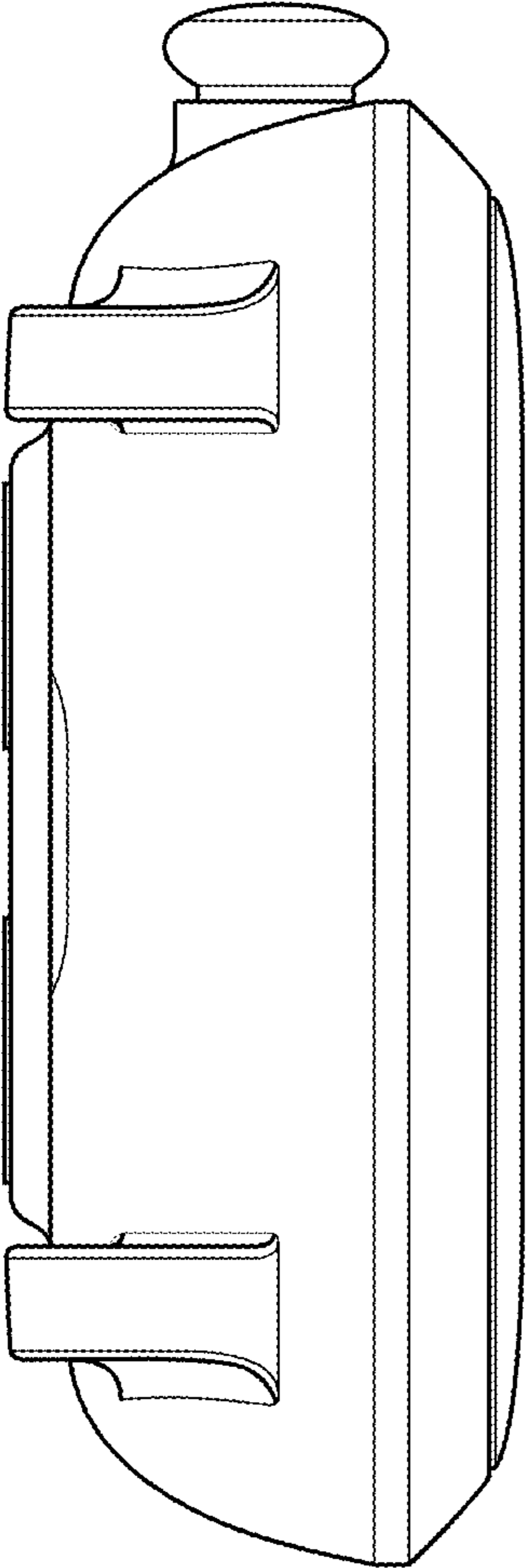
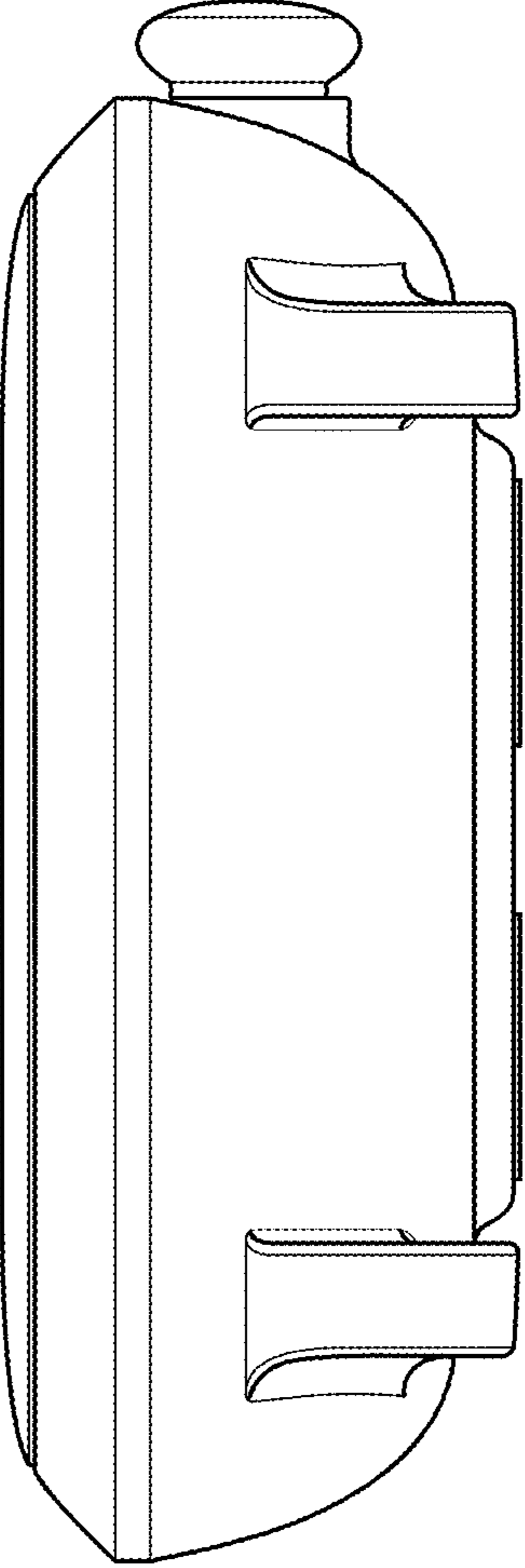


FIG. 22





**FIG. 23**



**FIG. 24**