



US00D915397S

(12) **United States Design Patent** (10) **Patent No.:** **US D915,397 S**
Biggadike (45) **Date of Patent:** **** Apr. 6, 2021**

(54) **COMPUTER**
(71) Applicant: **ULTRA ELECTRONICS LIMITED,**
Greenford (GB)
(72) Inventor: **Christopher Biggadike,** Cheltenham
(GB)
(73) Assignee: **ULTRA ELECTRONICS LIMITED,**
Greenford (GB)
(**) Term: **15 Years**
(21) Appl. No.: **35/507,319**
(22) Filed: **Jul. 5, 2019**

D734,748 S * 7/2015 Chen D14/341
D745,006 S * 12/2015 Hirakata D14/341
D748,674 S * 2/2016 Cheung D14/341
D762,633 S * 8/2016 Fife D14/250
D762,642 S * 8/2016 Johnson D14/341
D763,250 S * 8/2016 Jannard D14/341
D769,866 S * 10/2016 Amit D14/250
D779,480 S * 2/2017 Abrams D14/341
D785,618 S * 5/2017 Schwibner D14/341
D793,383 S * 8/2017 Cai D14/341
D801,968 S * 11/2017 Johnson D14/371
D801,976 S * 11/2017 Li D14/440
D802,551 S * 11/2017 Hunt D14/138 G
D802,573 S * 11/2017 Itor D14/250
D813,863 S * 3/2018 Barea D14/341
2015/0256655 A1 * 9/2015 Jannard G06F 1/1626
455/575.8
2016/0044148 A1 * 2/2016 Pizzo H04M 1/0264
455/575.8

(80) **Hague Agreement Data**
Int. Filing Date: **Jul. 5, 2019**
Int. Reg. No.: **DM/202459**
Int. Reg. Date: **Jul. 5, 2019**
Int. Reg. Pub. Date: **Aug. 30, 2019**
(51) **LOC (13) Cl.** **14-02**
(52) **U.S. Cl.**
USPC **D14/341**
(58) **Field of Classification Search**
USPC D14/203.4, 316, 317, 319-327, 341, 345,
D14/346, 347, 501, 502, 507; D21/329,
D21/330, 331
CPC G06F 1/1616; G06F 1/1637; G06F 1/203;
G06F 1/1681
See application file for complete search history.

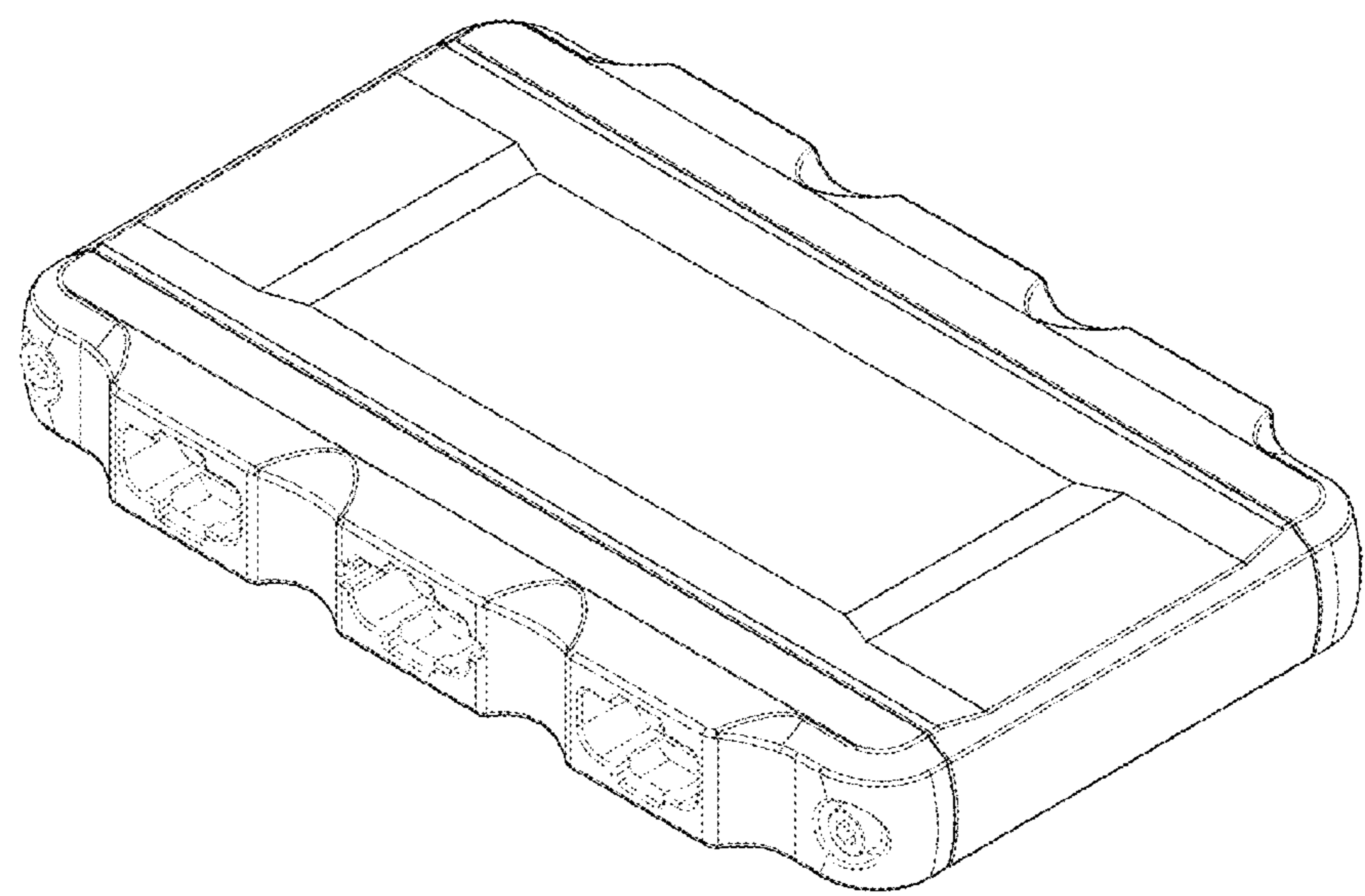
* cited by examiner
Primary Examiner — L. A. Grabenstetter
(74) *Attorney, Agent, or Firm* — Patrick B. Horne;
Shumaker, Loop & Kendrick, LLP

(56) **References Cited**
U.S. PATENT DOCUMENTS
D221,720 S * 8/1971 Hoskins D20/42
D356,547 S * 3/1995 Silva D14/341
D639,260 S * 6/2011 Carroll D14/138 G
D654,499 S * 2/2012 Wesolek D14/341
D691,131 S * 10/2013 Brown D14/341

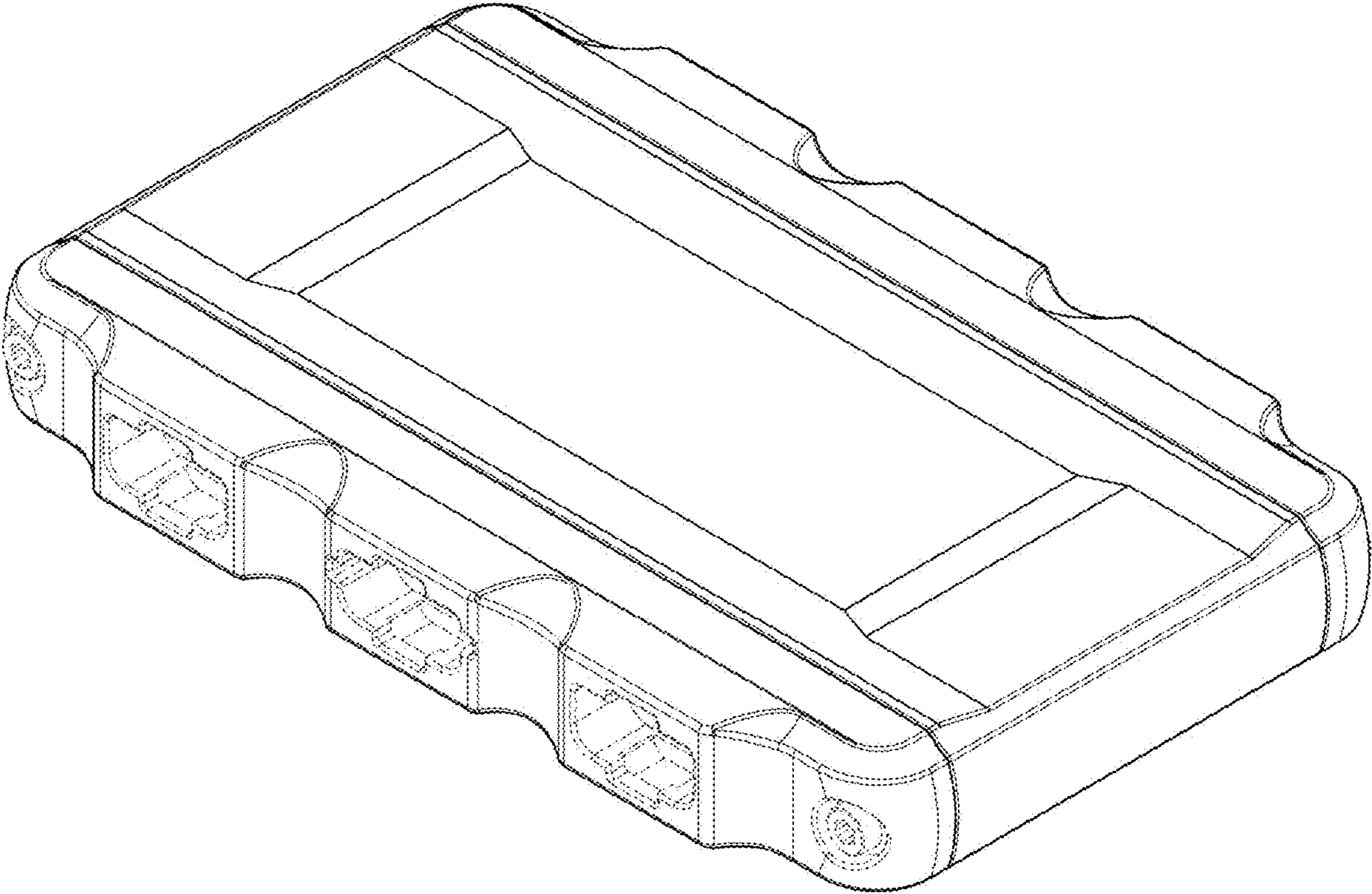
(57) **CLAIM**
The ornamental design for a computer, as shown and described.

DESCRIPTION
1.1 is a front perspective view of the new design for a computer;
1.2 a rear perspective view thereof;
1.3 is a front view thereof;
1.4 is a rear view thereof;
1.5 is a left view thereof;
1.6 is a right view thereof;
1.7 is a top thereof;
1.8 is a bottom thereof.
The broken line(s) shown in the figures represent portions of the computer that form no part of the claimed design.

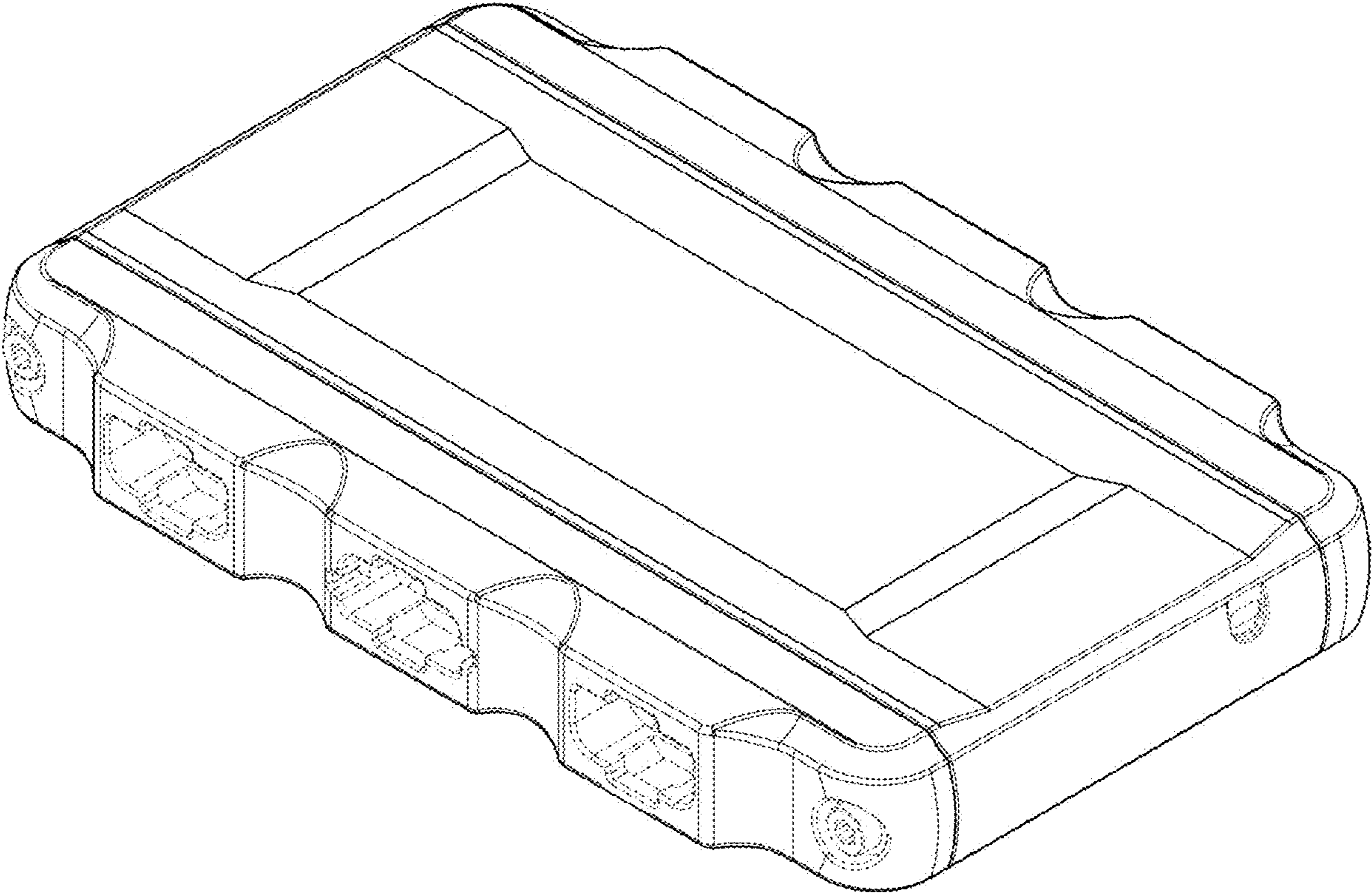
1 Claim, 8 Drawing Sheets



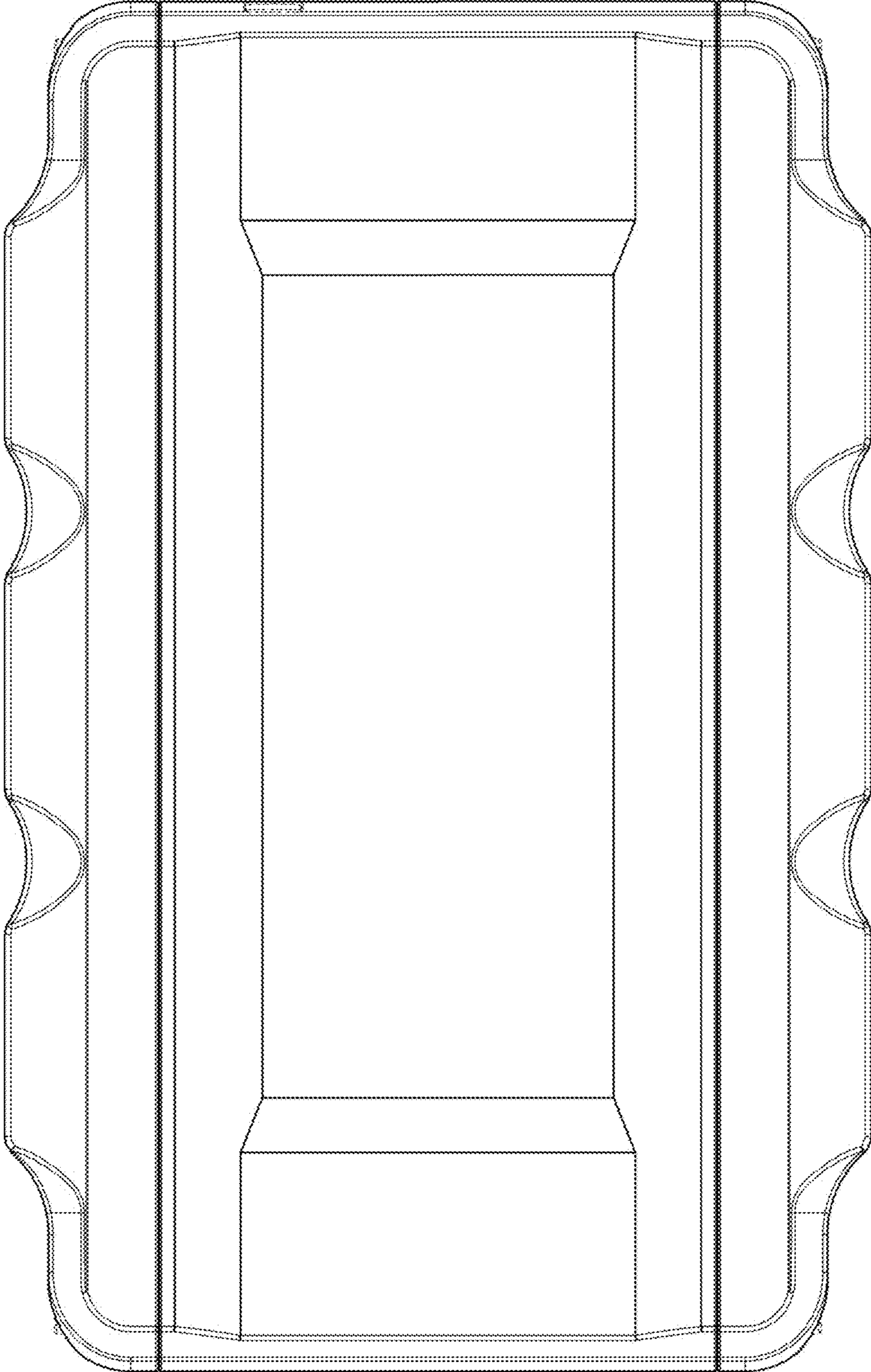
1.1



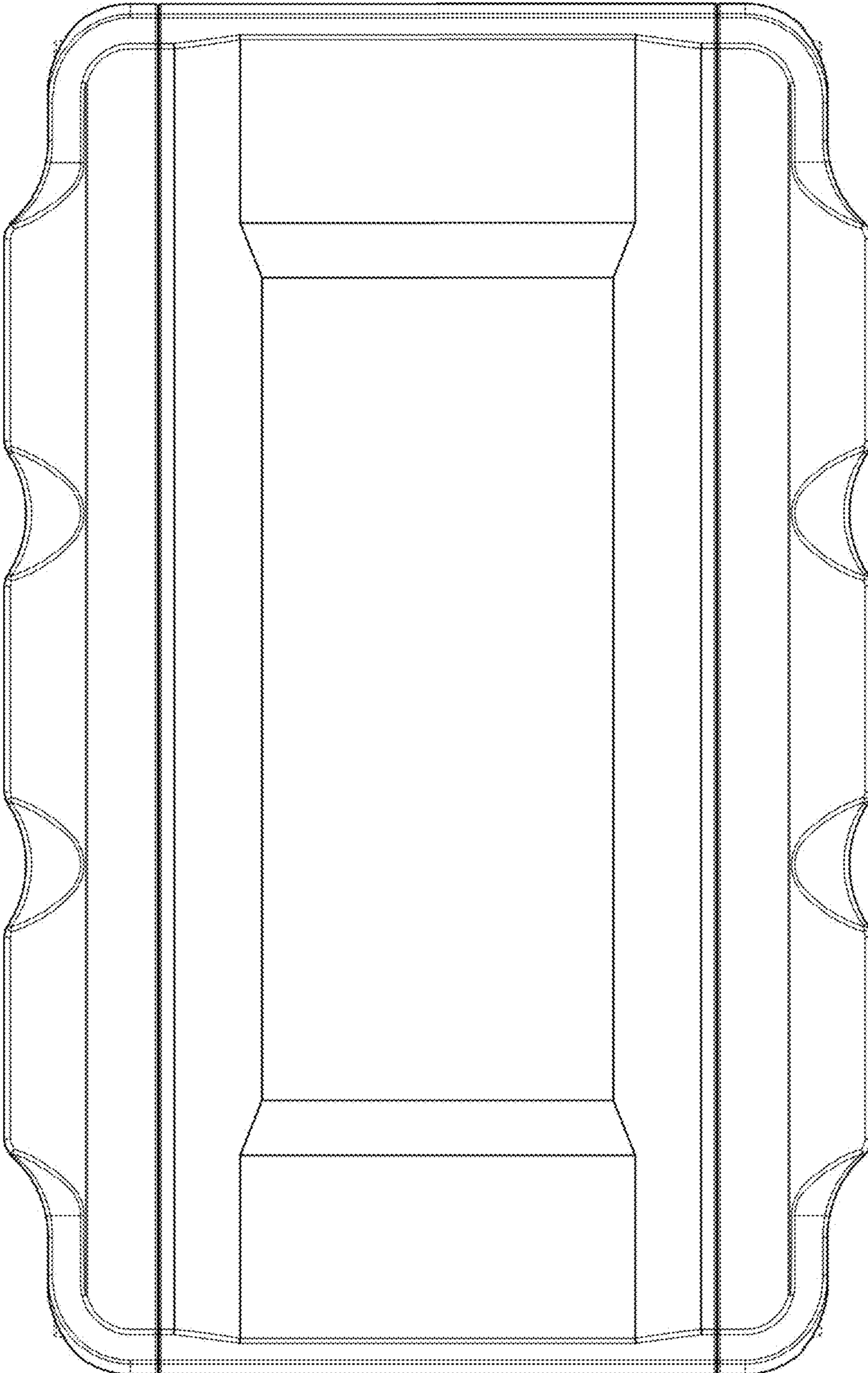
1.2



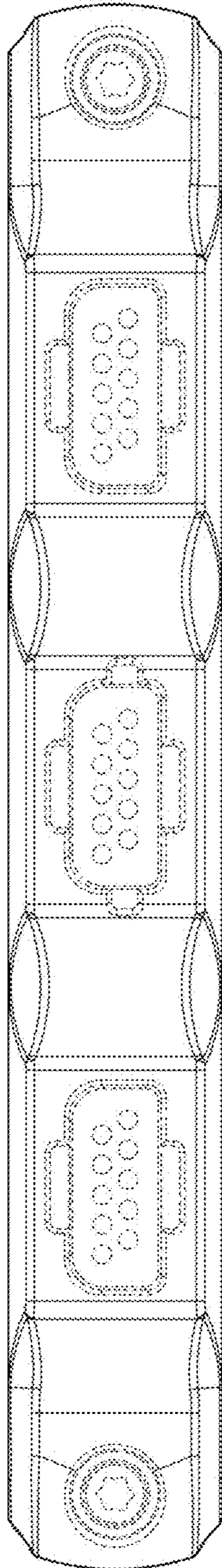
1.3



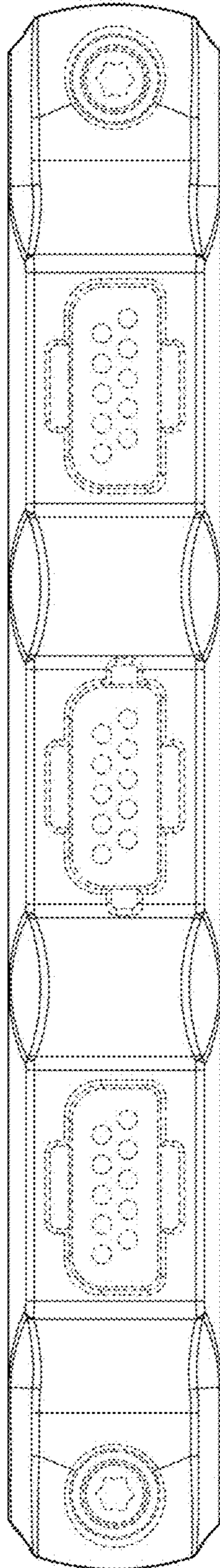
1.4



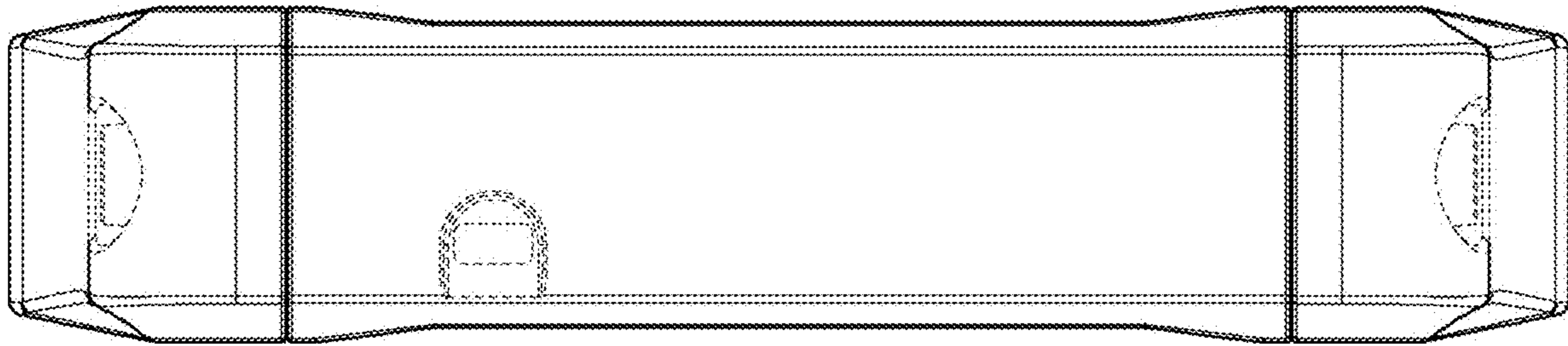
1.5



1.6



1.7



1.8

