



US00D915396S

(12) **United States Design Patent**  
**Sheu et al.**

(10) **Patent No.:** **US D915,396 S**  
(45) **Date of Patent:** **\*\* Apr. 6, 2021**

(54) **CONVERTIBLE INFORMATION HANDLING SYSTEM**

D734,323 S \* 7/2015 Takizawa ..... D14/316  
D743,390 S \* 11/2015 Lyles ..... D14/315  
D750,616 S \* 3/2016 Liang ..... D14/318

(71) Applicant: **Dell Products L.P.**, Round Rock, TX (US)

(Continued)

(72) Inventors: **Weijong Sheu**, Austin, TX (US); **Paul J. Doczy**, Austin, TX (US); **Heekwon Chon**, Austin, TX (US)

(73) Assignee: **Dell Products L.P.**, Round Rock, TX (US)

(\*\*) Term: **15 Years**

(21) Appl. No.: **29/669,204**

(22) Filed: **Nov. 6, 2018**

(51) **LOC (13) Cl.** ..... **14-02**

(52) **U.S. Cl.**  
USPC ..... **D14/327**

(58) **Field of Classification Search**  
USPC ..... D14/315-327, 331, 334-336, 339-340, D14/371, 373-374; D18/1-2, 7, 11, D18/12.2-12.3

CPC ..... G06F 1/1618; G06F 1/166; G06F 1/1613; G06F 1/1616; G06F 1/162; G06F 1/1622; G06F 1/1624; G06F 1/1633; G06F 1/1615; G06F 1/1643; G06F 1/1654; G06F 1/1656; G06F 1/1669; G06F 1/203; G06F 1/1688; G06F 1/1601; G06F 1/1637; G06F 1/181; H05K 5/0047; H05K 5/0052

See application file for complete search history.

(56) **References Cited**

**U.S. PATENT DOCUMENTS**

D697,063 S \* 1/2014 Lee ..... D14/315  
D705,773 S \* 5/2014 Tian ..... D14/318  
D720,742 S 1/2015 Leonard  
D729,228 S \* 5/2015 Kawai ..... D14/318

**OTHER PUBLICATIONS**

2018 HP Envy x360 15.6" FHD Touchscreen 2-in-1 Laptop Computer, posted at Amazon, review posted May 15, 2018. Site visited Aug. 2, 2020. URL: <<https://www.amazon.com/dp/B07BWBW189?tag=technadu-20&linkCode=ogi&th=1&psc=1>> (Year: 2018).\*

(Continued)

*Primary Examiner* — Kathleen L Jones

(74) *Attorney, Agent, or Firm* — Zagorin Cave LLP; Robert W. Holland

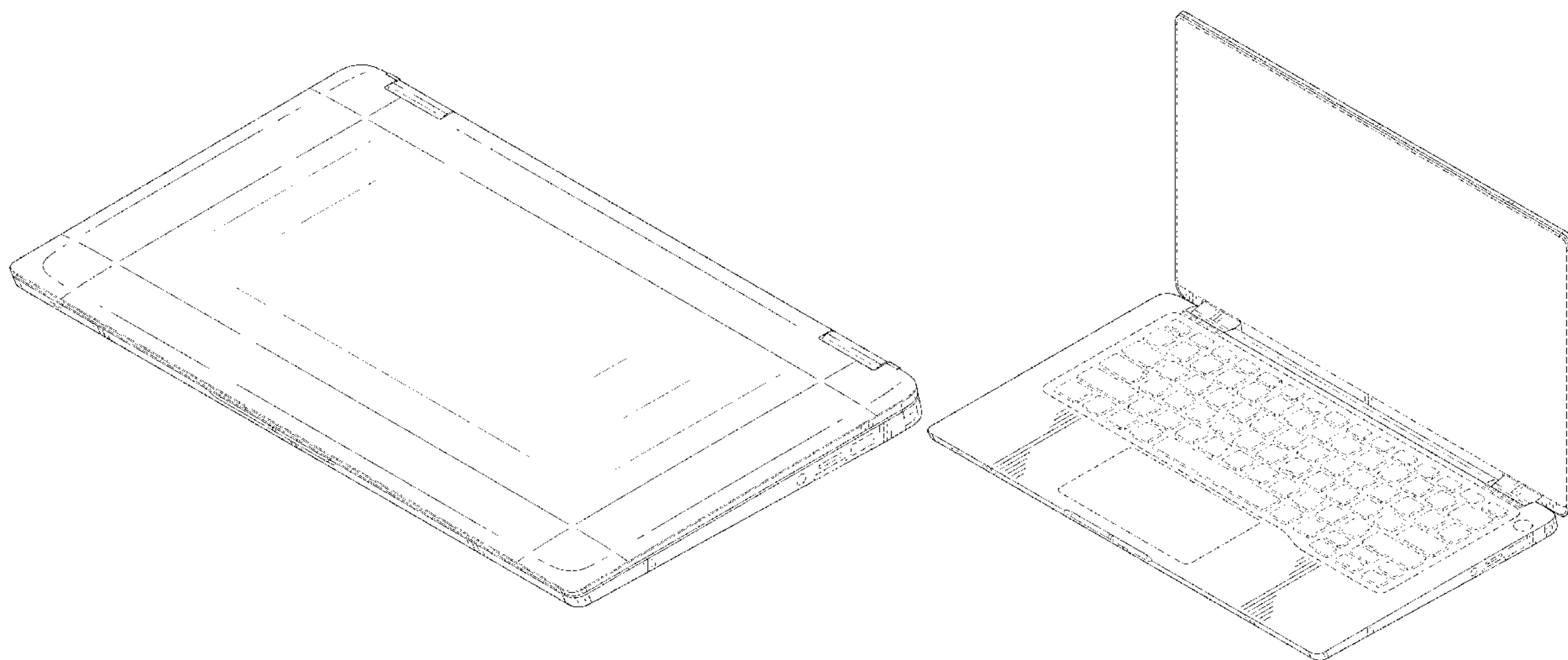
(57) **CLAIM**

We claim the ornamental design for a convertible information handling system, as shown and described.

**DESCRIPTION**

FIG. 1 is a front perspective view of the convertible information handling system comprising the present invention; FIG. 2 is a front elevation view thereof; FIG. 3 is a rear elevation view thereof; FIG. 4 is a right side view thereof; FIG. 5 is a left side view thereof; FIG. 6 is a top view thereof; FIG. 7 is a bottom view thereof; FIG. 8 is a front perspective view thereof showing the convertible information handling system in an open position; FIG. 9 is a right side view thereof showing the convertible information handling system in a tablet position; and, FIG. 10 is a left side view thereof. Broken lines shown in the drawings illustrate portions of the convertible information handling system, and form no part of the claimed design.

**1 Claim, 7 Drawing Sheets**



(56)

References Cited

U.S. PATENT DOCUMENTS

D756,350 S \* 5/2016 Sun ..... D14/315  
 D756,351 S \* 5/2016 Sun ..... D14/315  
 D758,360 S \* 6/2016 Lyles ..... D14/315  
 D762,638 S 8/2016 Chang  
 D763,249 S \* 8/2016 Lee ..... D14/315  
 D767,561 S \* 9/2016 Lin ..... D14/315  
 D770,440 S \* 11/2016 Chou ..... D14/315  
 D770,442 S \* 11/2016 Tu ..... D14/315  
 D781,282 S 3/2017 Hsu  
 D802,584 S \* 11/2017 Kong ..... D14/315  
 D806,702 S \* 1/2018 Senatori ..... D14/316  
 D807,344 S 1/2018 Sun  
 D810,069 S \* 2/2018 Hishiki ..... D14/316  
 D810,071 S \* 2/2018 Hishiki ..... D14/318  
 D813,861 S \* 3/2018 Goh ..... D14/315  
 D821,387 S \* 6/2018 Wang ..... D14/315  
 D829,710 S \* 10/2018 Seoc ..... D14/315  
 D835,095 S \* 12/2018 Goh ..... D14/315  
 D842,856 S \* 3/2019 Lam ..... D14/345  
 D864,948 S \* 10/2019 Yoshida ..... D14/327  
 D880,473 S \* 4/2020 Moon ..... D14/327  
 D890,747 S \* 7/2020 Lee ..... D14/315  
 D890,749 S \* 7/2020 Draca ..... D14/327  
 2013/0170124 A1 \* 7/2013 Pan ..... G06F 1/1618  
 361/679.08

2014/0063700 A1\* 3/2014 Kawada ..... H05K 5/0226  
 361/679.01  
 2016/0139636 A1\* 5/2016 Saito ..... G06F 1/1667  
 361/679.27  
 2018/0253124 A1\* 9/2018 David ..... G06F 1/1666

OTHER PUBLICATIONS

Tracy, Phillip, Acer Spin 3 Review, posted at Laptop Mag, posting date Jun. 28, 2018. Site visited Aug. 2, 2020. URL: <<https://www.laptopmag.com/reviews/laptops/acer-spin-3>> (Year: 2018).\*

U.S. Appl. No. 29/628,940, filed Dec. 8, 2017, entitled Information Handling System, by Jeff A. Reed et al.

Dell, "X9 Latitude 7390," downloaded from <https://www.dell.com/en-us/work/shop/cty/pdp/spd/latitude-13/7390-laptop/cto051739013us?mkwid=sYFj4j1M4&pcrid=17868181018987&pkw=&pmt=&pdv=c&slid=&product=CTO05L739013US&pgrid=42> . . . , Nov. 6, 2018, 6 pages.

Dell, "Latitude 14 7000 Series (E7450)," downloaded from <https://www.dell.com/en-us/work/shop/dell-laptops-and-notebooks/latitude-14-7000-series-e7450/spd/latitude-e7450-ultrabook>, Nov. 5, 2018, 4 pages.

Dell, "XPS 13," downloaded from <https://www.dell.com/en-us/shop/dell-laptops/xps-13/spd/xps-13/9360-laptop>, Nov. 6, 2018, 6 pages.

\* cited by examiner

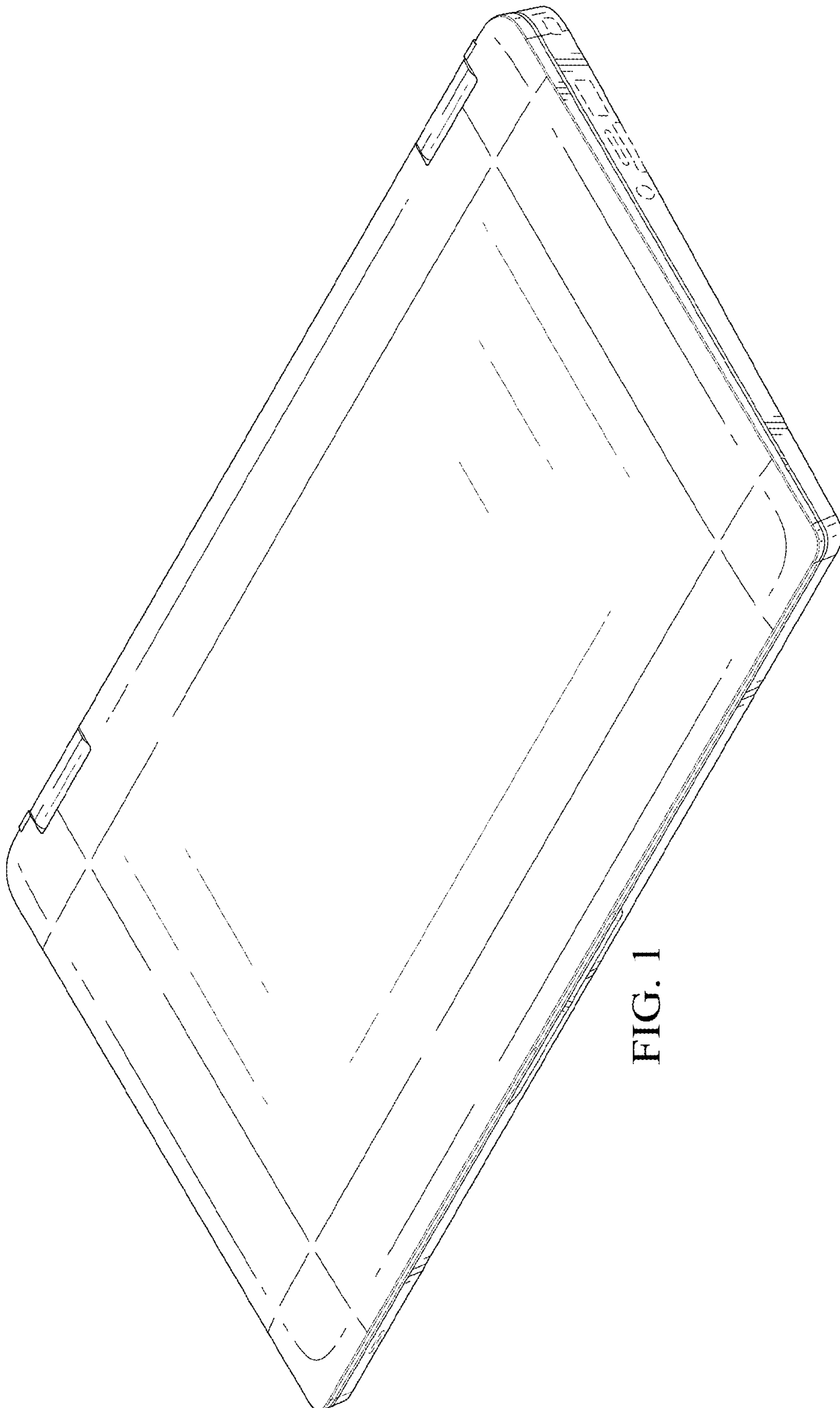


FIG. 1

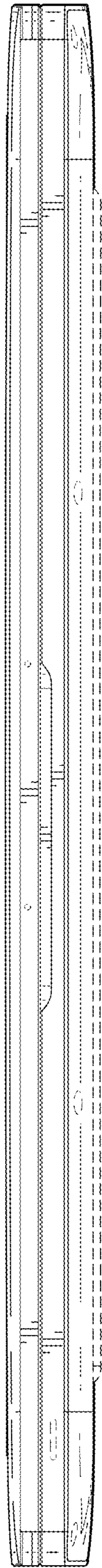


FIG. 2



FIG. 3

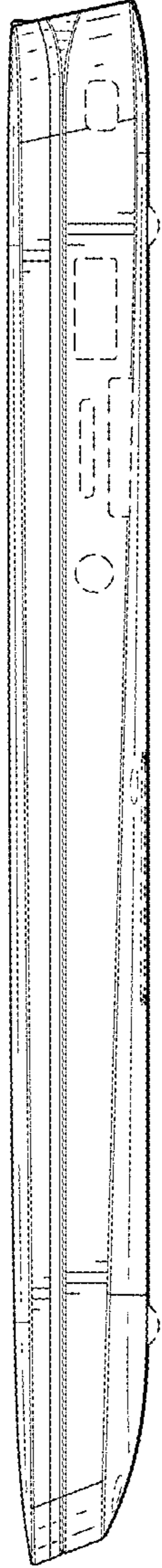


FIG. 4

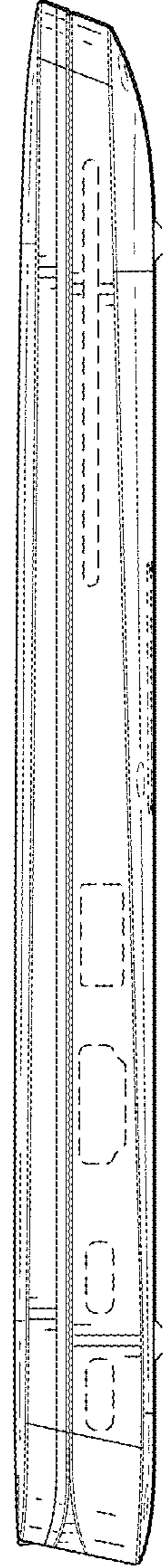


FIG. 5

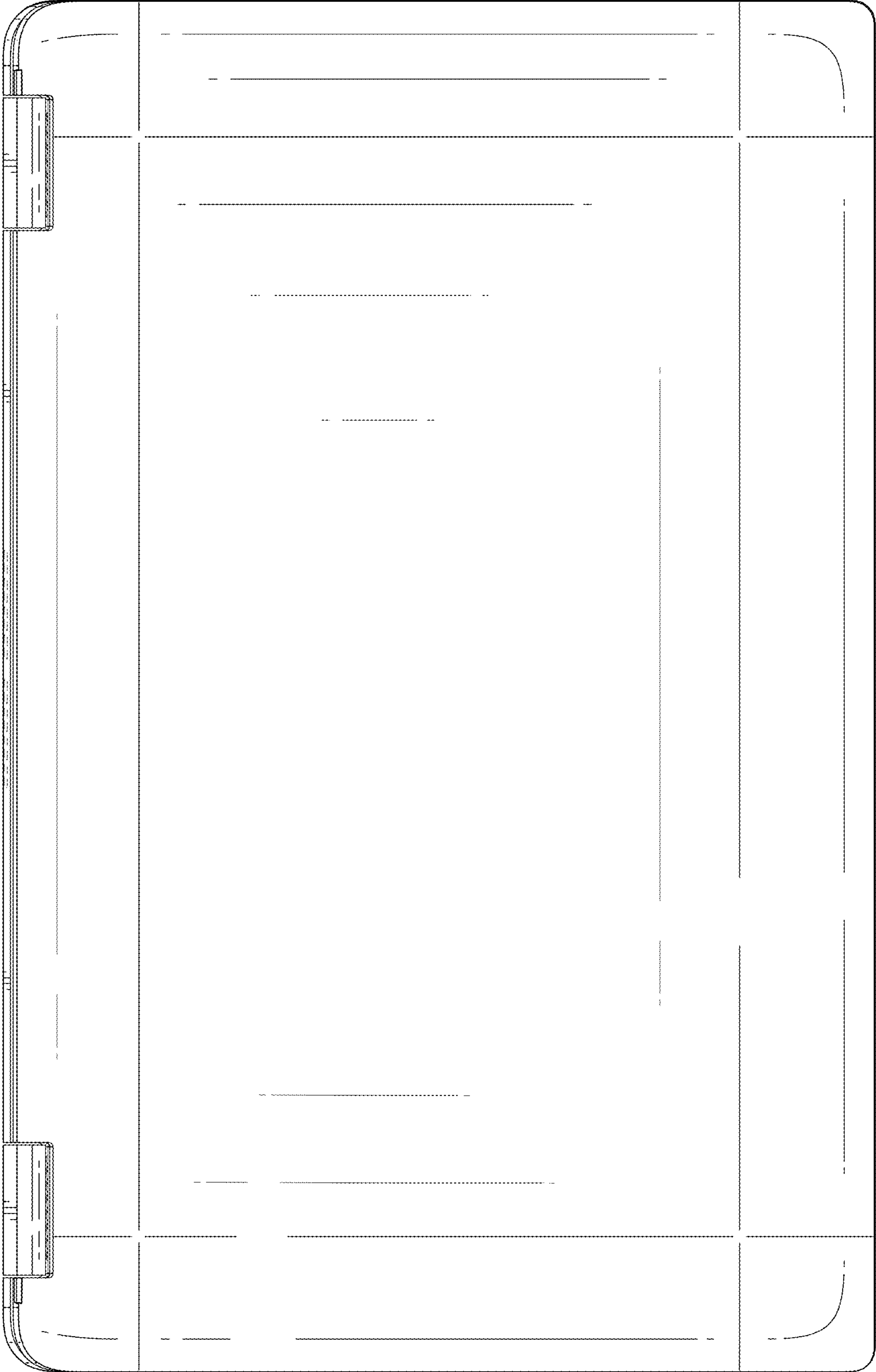


FIG. 6

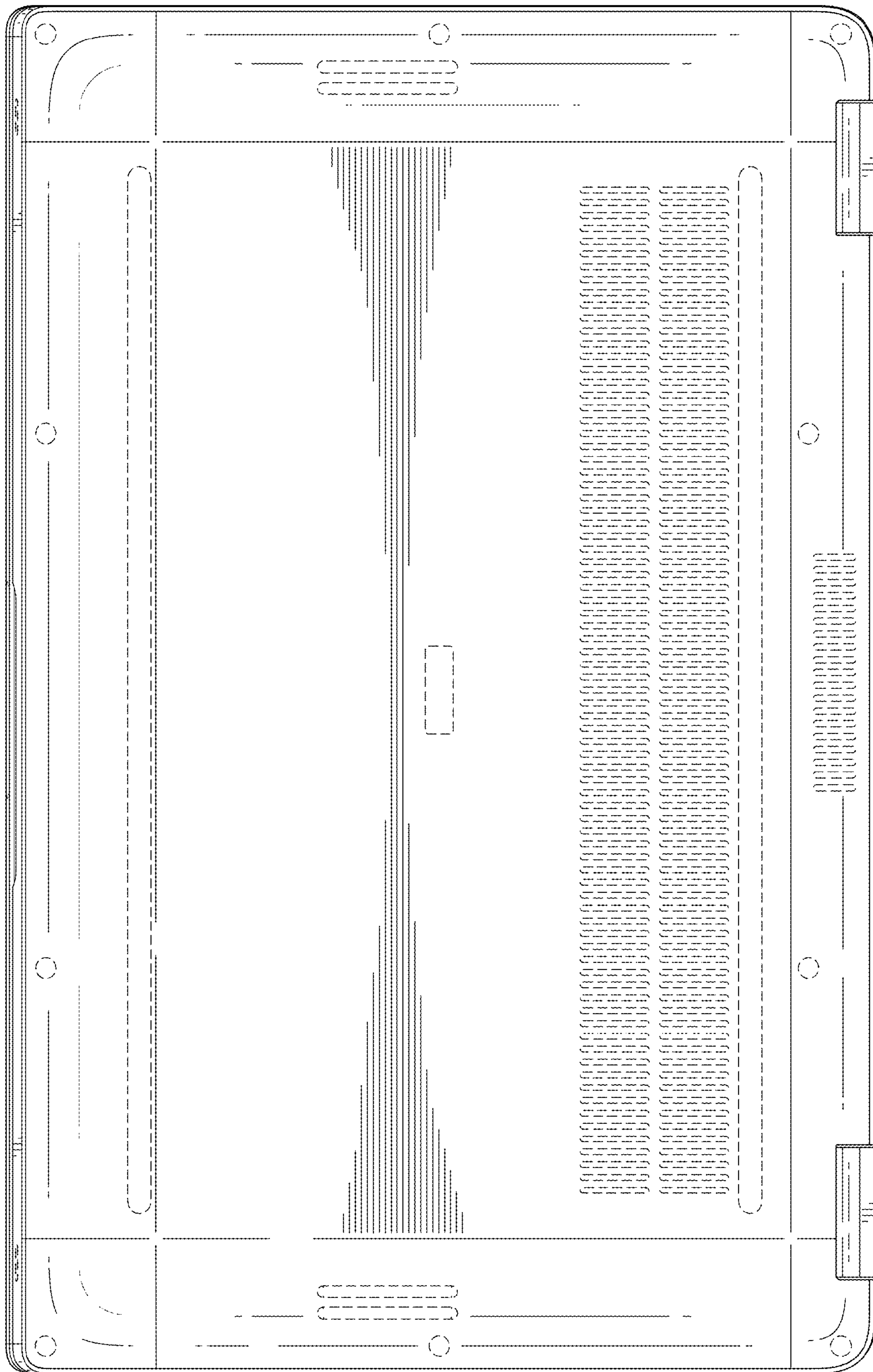


FIG. 7

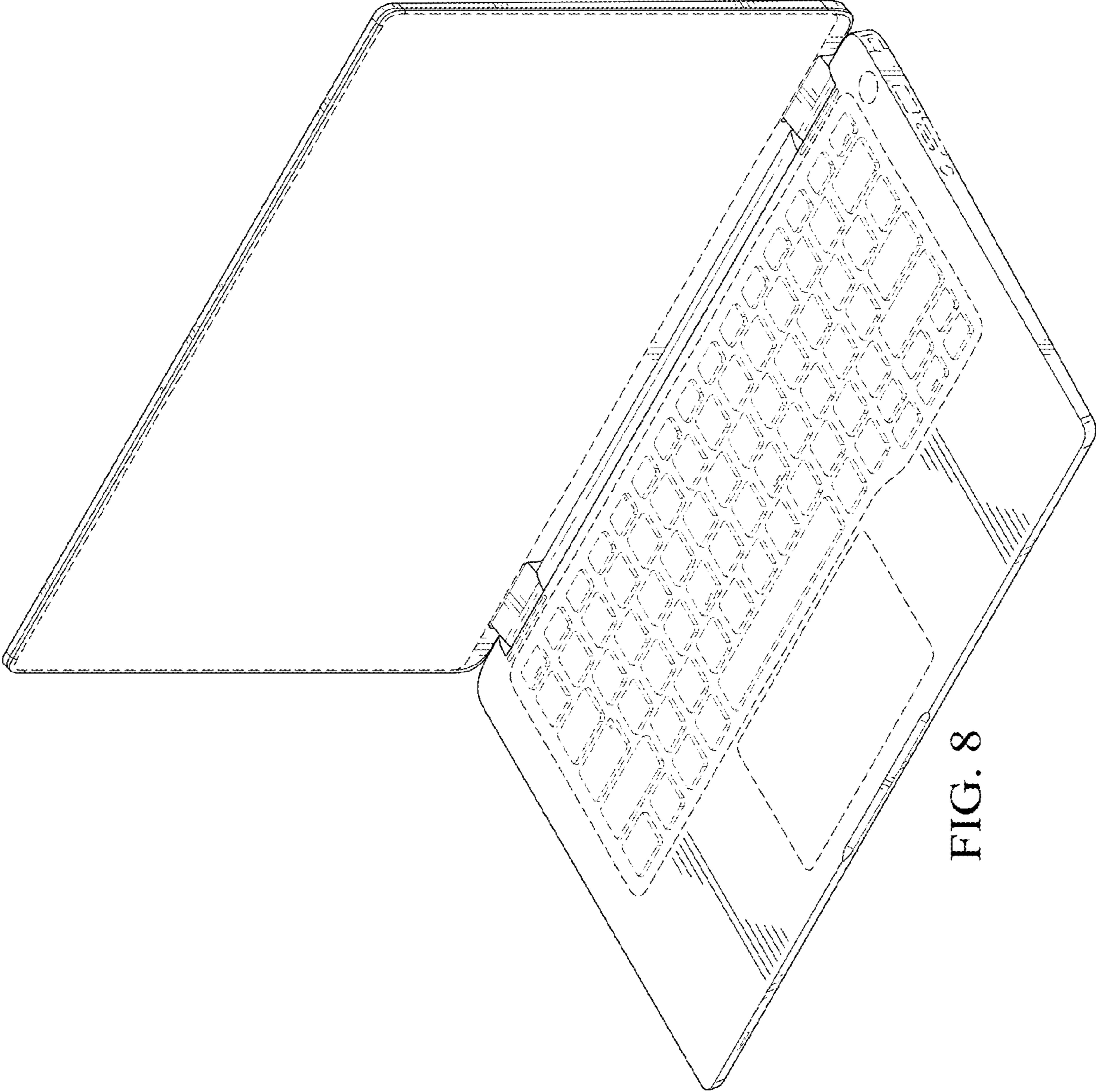


FIG. 8



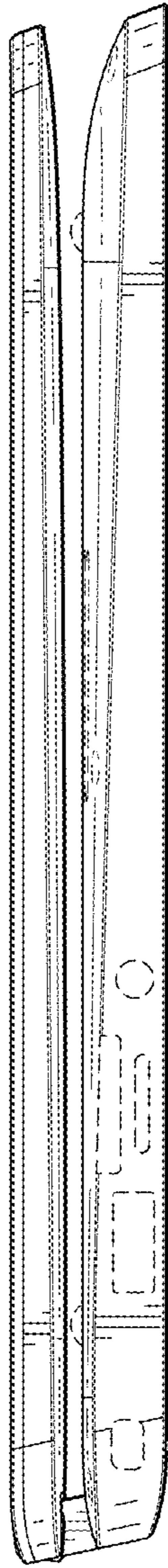


FIG. 9

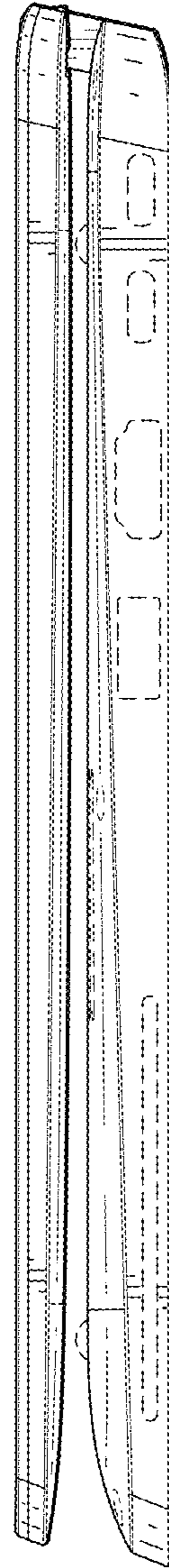


FIG. 10