



US00D915395S

(12) **United States Design Patent**
Wang et al.

(10) **Patent No.: US D915,395 S**
(45) **Date of Patent: ** *Apr. 6, 2021**

(54) **NOTEBOOK COMPUTER**

(71) Applicant: **COMPAL ELECTRONICS, INC.**,
Taipei (TW)

(72) Inventors: **Chun-Wen Wang**, Taipei (TW);
Wang-Hung Yeh, Taipei (TW);
Hsin-Chieh Fang, Taipei (TW);
Che-Hsien Lin, Taipei (TW);
Shu-Hung Lin, Taipei (TW);
Che-Hsien Chu, Taipei (TW)

(73) Assignee: **COMPAL ELECTRONICS, INC.**,
Taipei (TW)

(*) Notice: This patent is subject to a terminal disclaimer.

(**) Term: **15 Years**

(21) Appl. No.: **29/637,095**

(22) Filed: **Feb. 13, 2018**

(51) **LOC (13) Cl.** **14-02**

(52) **U.S. Cl.**
USPC **D14/327**

(58) **Field of Classification Search**
USPC D14/315-327, 331, 333-337, 439,
D14/440-444, 448, 450; D18/1-2, 7, 11,
D18/12.2-12.3; D8/323, 325, 327-329

(Continued)

(56) **References Cited**

U.S. PATENT DOCUMENTS

3,947,970 A * 4/1976 Lesure G01B 5/25
33/657
4,546,599 A * 10/1985 Cicci A01D 43/107
56/16.4 R

(Continued)

OTHER PUBLICATIONS

Dywishkey Brass Round Rods Bar Assorted, posted at Amazon, comment posted Jul. 3, 2017. Site visited Jun. 4, 2019. URL: (Year: 2017).*

(Continued)

Primary Examiner — Kathleen L Jones
(74) *Attorney, Agent, or Firm* — JCIPRNET

(57) **CLAIM**

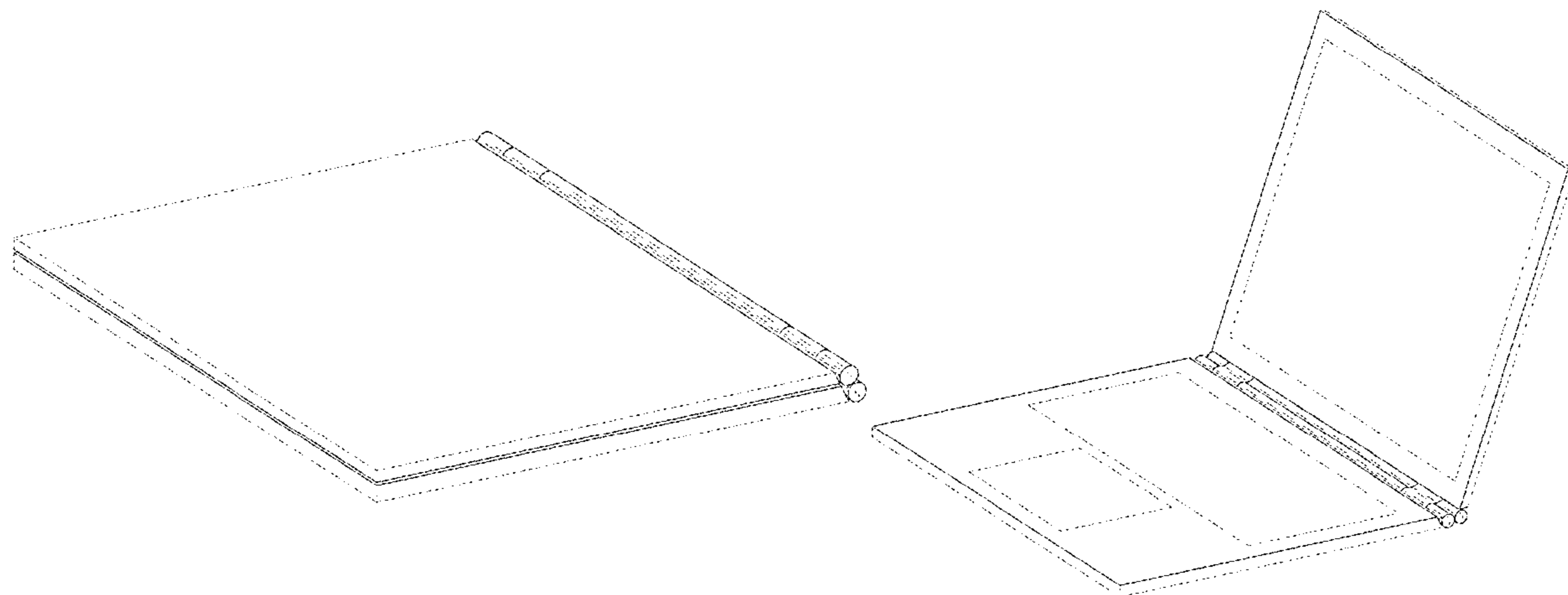
The ornamental design for a notebook computer, as shown and described.

DESCRIPTION

FIG. 1 is a perspective view of a notebook computer showing my new design in a closed state;
FIG. 2 is a front view thereof;
FIG. 3 is a rear view thereof;
FIG. 4 is a left side view thereof;
FIG. 5 is a right side view thereof;
FIG. 6 is a top view thereof;
FIG. 7 is a bottom view thereof;
FIG. 8 is a perspective view thereof in an opened state of 90 degrees;
FIG. 9 is a right side view thereof in an opened state of 90 degrees;
FIG. 10 is a perspective view thereof in an opened state of 180 degrees;
FIG. 11 is a right side view thereof in an opened state of 180 degrees;
FIG. 12 is a perspective view thereof in an opened state of 360 degrees;
FIG. 13 is a right side view thereof in an opened state of 360 degrees;
FIG. 14 is a perspective view thereof in an opened state of 110 degrees; and,
FIG. 15 is a right side view thereof in an opened state of 110 degrees.

The dashed broken lines illustrate portions of the notebook computer and form no part of the claimed design.

1 Claim, 13 Drawing Sheets



(58) **Field of Classification Search**

CPC G06F 1/16; G06F 1/1637; G06F 1/1613;
G06F 1/1616; G06F 1/1618; G06F 1/162;
G06F 1/1654; G06F 1/1681; G06F
1/1632; G06F 1/1656; G06F 1/1686;
G06F 3/011; F16M 11/06; F16M 11/10;
F16M 11/14; H05K 5/0226; H02B 1/38;
E05D 11/1078

See application file for complete search history.

(56) **References Cited**

U.S. PATENT DOCUMENTS

5,062,319 A * 11/1991 Beckner B21D 5/14
74/609
D355,171 S * 2/1995 Derocher D14/326
6,223,393 B1 * 5/2001 Knopf G06F 1/1618
16/366
D494,161 S * 8/2004 Sawaquchi D14/318
D494,189 S * 8/2004 Ko D14/319
D494,580 S * 8/2004 Kondo D14/318
6,771,494 B2 * 8/2004 Shimano G06F 1/1616
345/173
6,888,534 B1 * 5/2005 Northway G06F 1/1626
345/168
D518,042 S * 3/2006 Kanayama D14/318
D524,306 S * 7/2006 Yun D14/315
D603,395 S * 11/2009 Hong D14/315
D615,969 S * 5/2010 Arbisi D14/315
D621,829 S * 8/2010 Cheng D14/327
D645,855 S * 9/2011 Lin D14/315
D645,858 S * 9/2011 Cho D14/315
D657,785 S * 4/2012 Lee D14/315
D667,824 S * 9/2012 Ashcraft D14/315
D684,965 S * 6/2013 Lam D14/327
D696,245 S * 12/2013 Lee D14/315
D705,773 S * 5/2014 Tian D14/318
D706,259 S * 6/2014 Myung D14/315
D717,296 S * 11/2014 Oh D14/316
D719,169 S * 12/2014 McBroom D14/440
D729,231 S * 5/2015 Lam D14/327
9,057,215 B1 * 6/2015 Horng E05D 3/12
D750,616 S * 3/2016 Liang D14/318
D761,249 S * 7/2016 Liang D14/315
D762,636 S * 8/2016 Liu D14/315
9,411,365 B1 * 8/2016 Tanner G06F 1/1618
D766,888 S * 9/2016 Moon D14/318
D773,452 S * 12/2016 Cheah D14/315
D778,901 S * 2/2017 Liang D14/315
D802,584 S * 11/2017 Kong D14/315
D803,826 S * 11/2017 Wang D14/316
D807,875 S * 1/2018 Senatori D14/316
9,880,589 B2 * 1/2018 Noguchi G06F 1/1637
D811,382 S * 2/2018 Cai D14/316
9,921,613 B2 * 3/2018 Kuramochi E05D 3/06
10,015,897 B1 * 7/2018 Hong H05K 5/0217
10,120,421 B1 * 11/2018 Hong G06F 1/1681
D834,917 S * 12/2018 Alberti D8/323
D837,202 S * 1/2019 Lee D14/315
10,503,207 B1 * 12/2019 Knoppert G06F 1/1632
10,635,140 B1 * 4/2020 McKittrick G06F 1/1618
D885,379 S * 5/2020 Wang D14/327
D888,709 S * 6/2020 Kang D14/327
D890,167 S * 7/2020 Moon D14/315
2004/0001049 A1 * 1/2004 Oakley G06F 1/1618
345/173
2004/0074050 A1 * 4/2004 Birtley E05D 11/087
16/340

2005/0101358 A1 * 5/2005 Carpenter G06F 1/1618
455/575.1
2009/0244009 A1 * 10/2009 Staats G06F 1/162
345/168
2009/0302722 A1 * 12/2009 Mihara G06F 1/1616
312/223.2
2013/0021738 A1 * 1/2013 Yang G06F 1/1616
361/679.27
2014/0063710 A1 * 3/2014 Myung H05K 5/0017
361/679.4
2016/0132075 A1 * 5/2016 Tazbaz G06F 1/1681
361/679.27
2016/0161987 A1 * 6/2016 Jacobs G06F 1/1662
361/679.11
2016/0230436 A1 * 8/2016 Ahn G06F 1/16
2017/0235337 A1 * 8/2017 Vic E05D 3/12
361/679.55
2017/0299410 A1 * 10/2017 Gunawan G01D 5/24
2017/0336733 A1 * 11/2017 Adachi G03G 15/0889
2017/0356225 A1 * 12/2017 Maatta E05D 1/04
2017/0356226 A1 * 12/2017 Maatta E05D 3/12
2018/0049336 A1 * 2/2018 Manuel E05B 65/0067
2018/0107254 A1 * 4/2018 Godfrey G06F 1/1681
2018/0363695 A1 * 12/2018 Chuang F16C 11/04
2019/0004764 A1 * 1/2019 Son G06F 3/1446
2019/0018460 A1 * 1/2019 Lin G06F 1/1681
2019/0086970 A1 * 3/2019 Fang G06F 1/1681
2019/0146561 A1 * 5/2019 Escamilla G06F 1/1681
2019/0155344 A1 * 5/2019 Lin G06F 1/1681
2019/0162751 A1 * 5/2019 Elmegreen G01P 15/105
2019/0163239 A1 * 5/2019 Chen G06F 1/1666
2019/0317578 A1 * 10/2019 North G06F 1/1616
2020/0019368 A1 * 1/2020 Ku G06F 1/1681
2020/0042048 A1 * 2/2020 Quinn G06F 1/1656

OTHER PUBLICATIONS

Eowpower Brass Round Rods Bar Assorted, posted at Amazon, review posted Nov. 30, 2017. Site visited Jun. 4, 2019. URL: (Year: 2017).*

Herrick, Justin, Lenovo Book review: The big effort for an Android laptop misses, posted at Talk Android, posting date Nov. 18, 2016. Site visited May 31, 2019. URL: [https://www.talkandroid.com/reviews="" tablet-reviews="" lenovo-yoga-book=""](https://www.talkandroid.com/reviews/tablet-reviews/lenovo-yoga-book/) (Year: 2016).*

Lanparte 15 mm Carbon Fiber Rods, posted at Adorama, review posted Aug. 29, 2017. Site visited Jun. 2, 2019. URL: [https://www.adorama.com="" lacfr450.html=""](https://www.adorama.com/lacfr450.html) (Year: 2017).*

Making dowels—the pencil sharpener method, posted at Wood Gears, posting date Jul. 14, 2011. Site visited May 31, 2019. URL: [http://web.archive.org="" web="" 20110714190910="" https="" woodgears.ca="" dowel="" making.html=""](http://web.archive.org/web/20110714190910/http://www.woodgears.ca/dowel-making.html) (Year: 2011).*

Diabolo Sticks, posted at Oddballs, posting date Feb. 3, 2016. Site visited May 31, 2019. URL: [https://www.oddballs.co.uk="" blog="" diabolo-sticks=""](https://www.oddballs.co.uk/blog/diabolo-sticks/) (Year: 2016).*

36" Wooden Dowel by ArtMinds, posted at Michael's, review posted 2016. Site visited May 31, 2019. URL: [https://www.michaels.com="" 1%2F4in-x-36in-dowel-by-woodgrain-millwork="" 10529602.html=""](https://www.michaels.com/1%2F4in-x-36in-dowel-by-woodgrain-millwork%3F10529602.html) (Year: 2016).*

Dual Cylindrical 360 Notebook computer, posted at World Design Guide, posting year 2019. Site visited Jan. 15, 2020. URL: [<https://ifworlddesignguide.com/entry/247871-dual-cylindrical-360>](https://ifworlddesignguide.com/entry/247871-dual-cylindrical-360/) (Year: 2019).*

MSI Wind U160 Review, posted at Notebook Review, posting date Apr. 26, 2010. Site visited Jan. 15, 2020 URL: [<http://www.notebookreview.com/notebookreview/msi-wind-u160-review/>](http://www.notebookreview.com/notebookreview/msi-wind-u160-review/) (Year: 2010).*

* cited by examiner

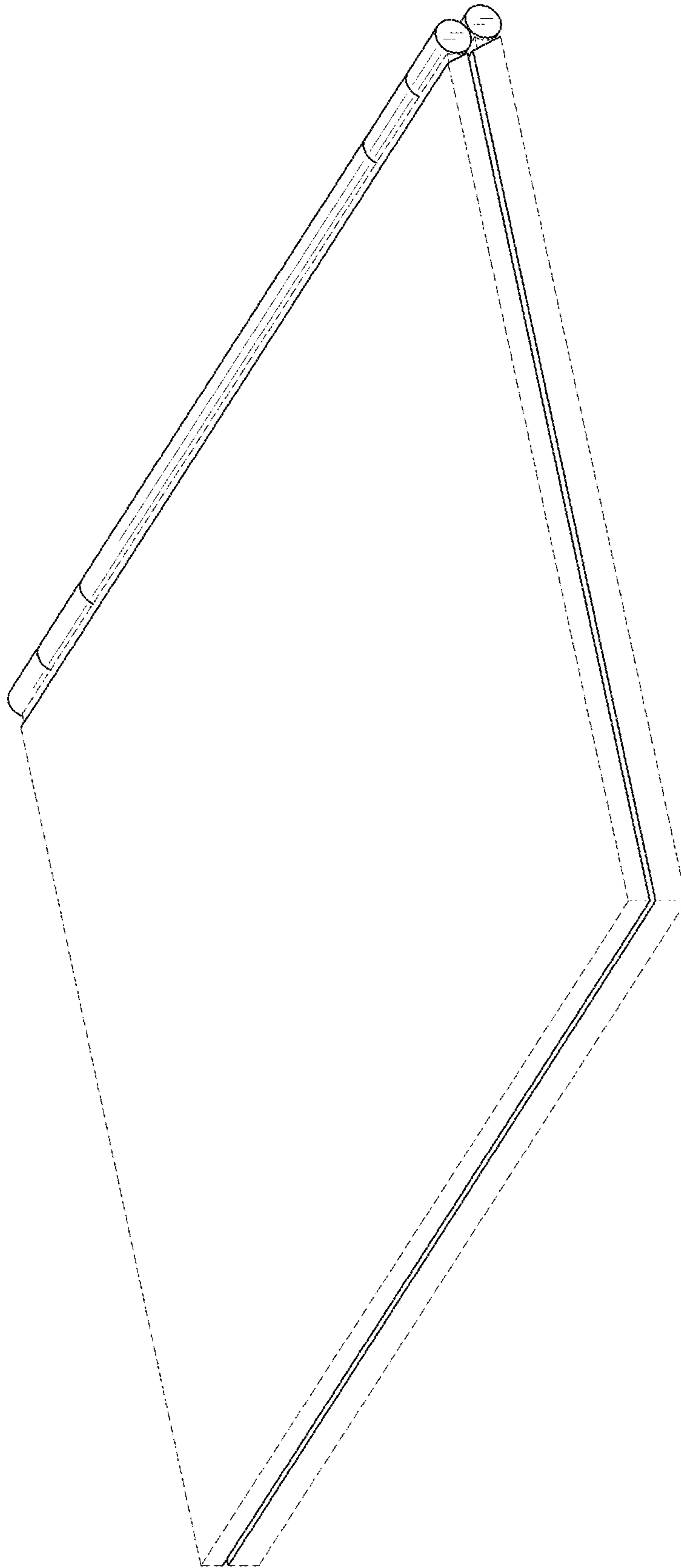


FIG. 1

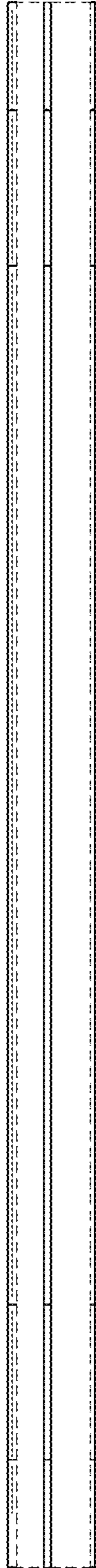


FIG. 2

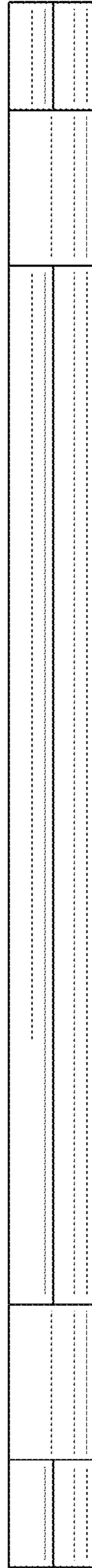


FIG. 3

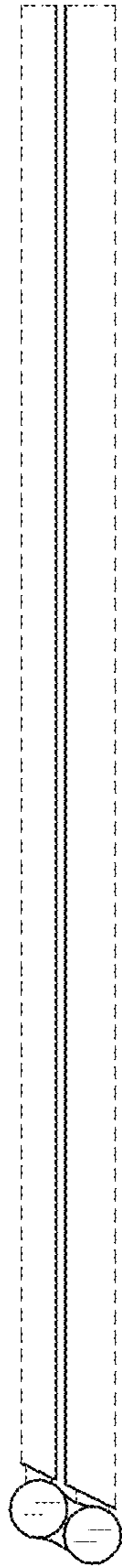


FIG. 4

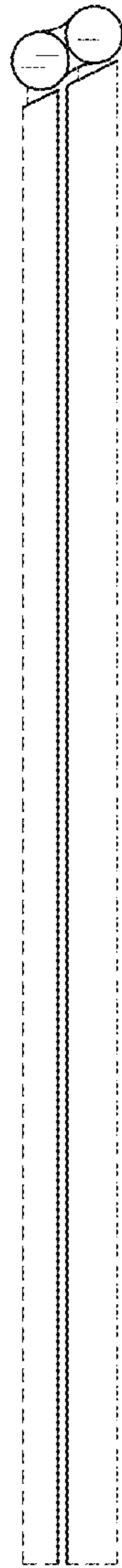


FIG. 5

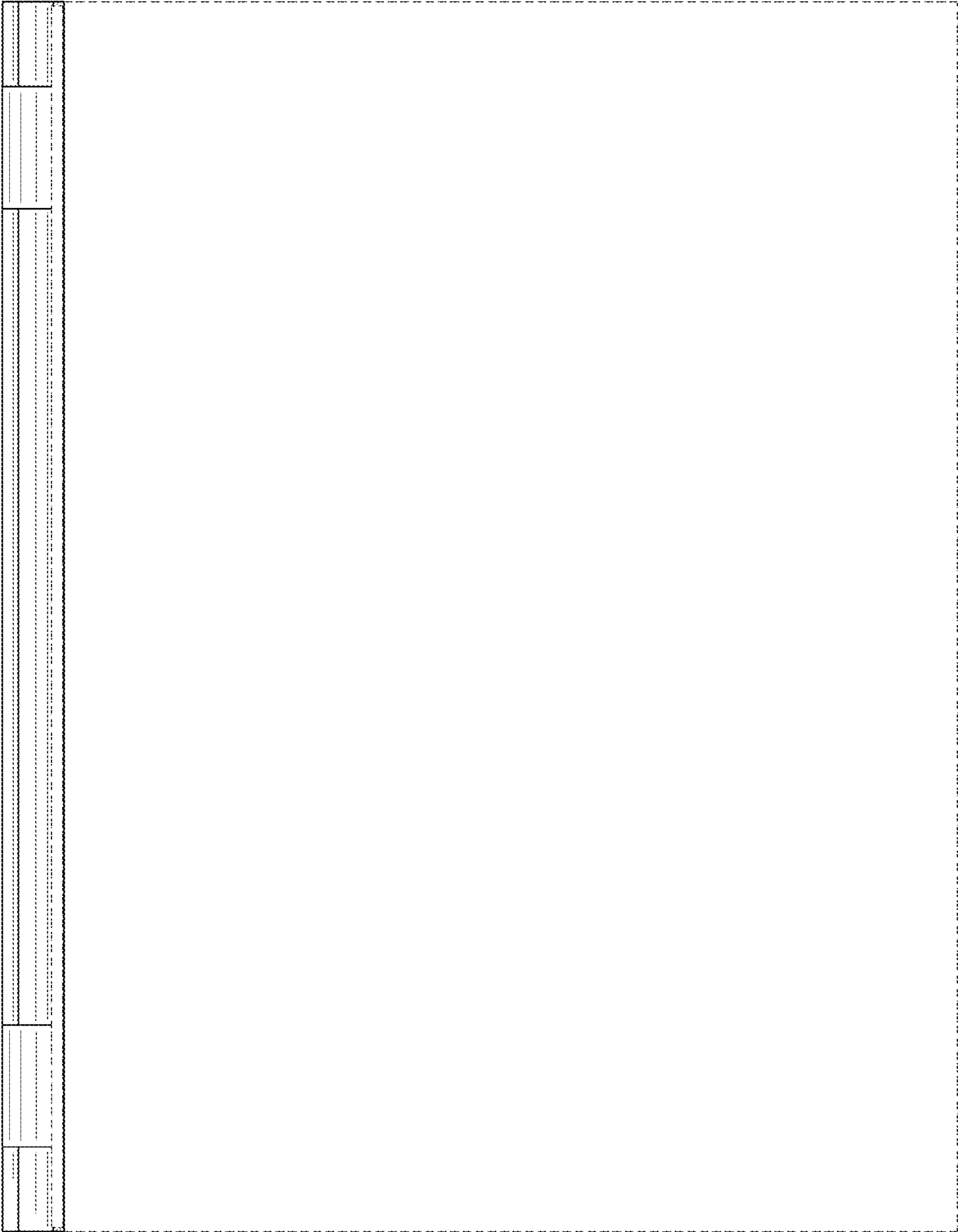


FIG. 6

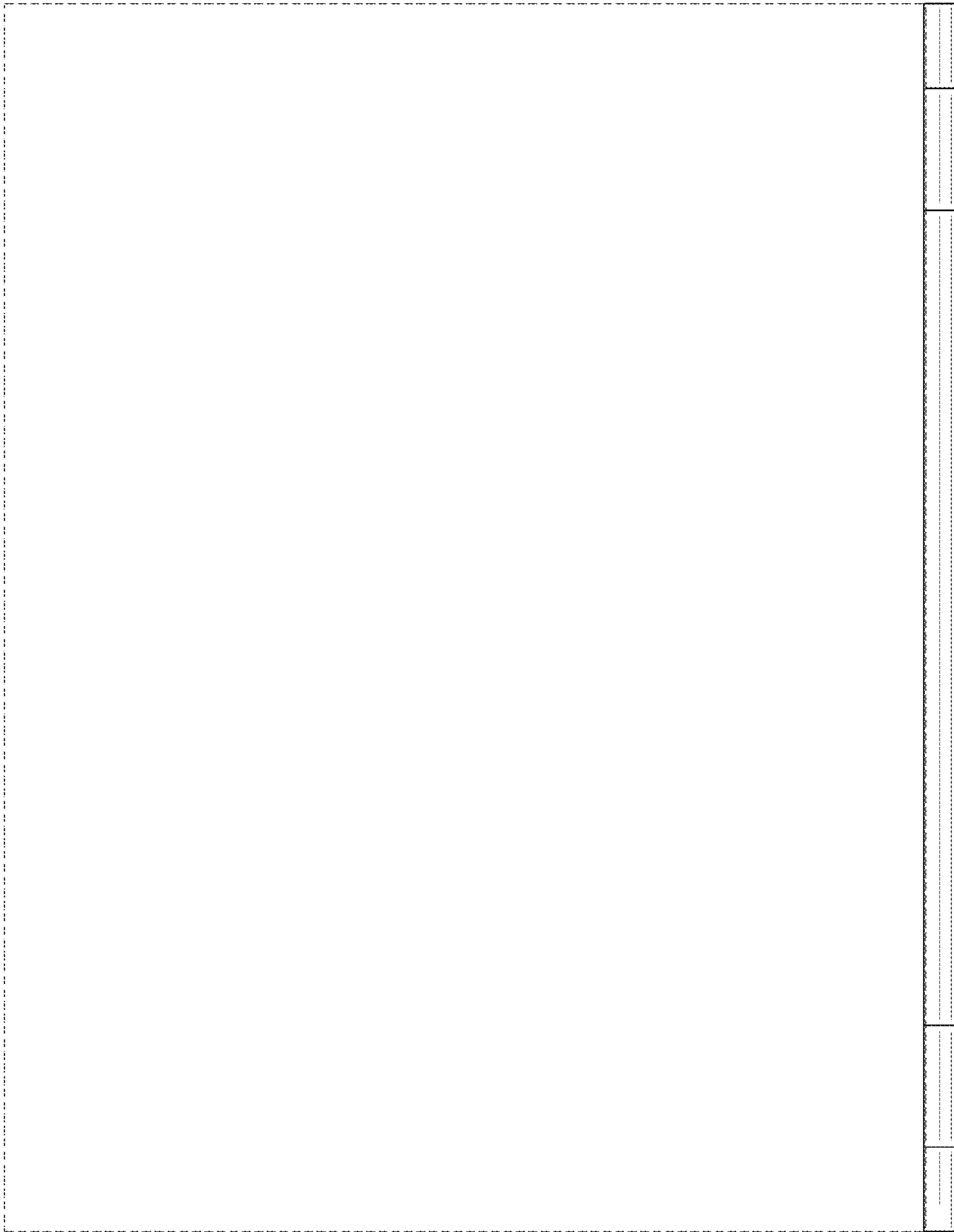


FIG. 7

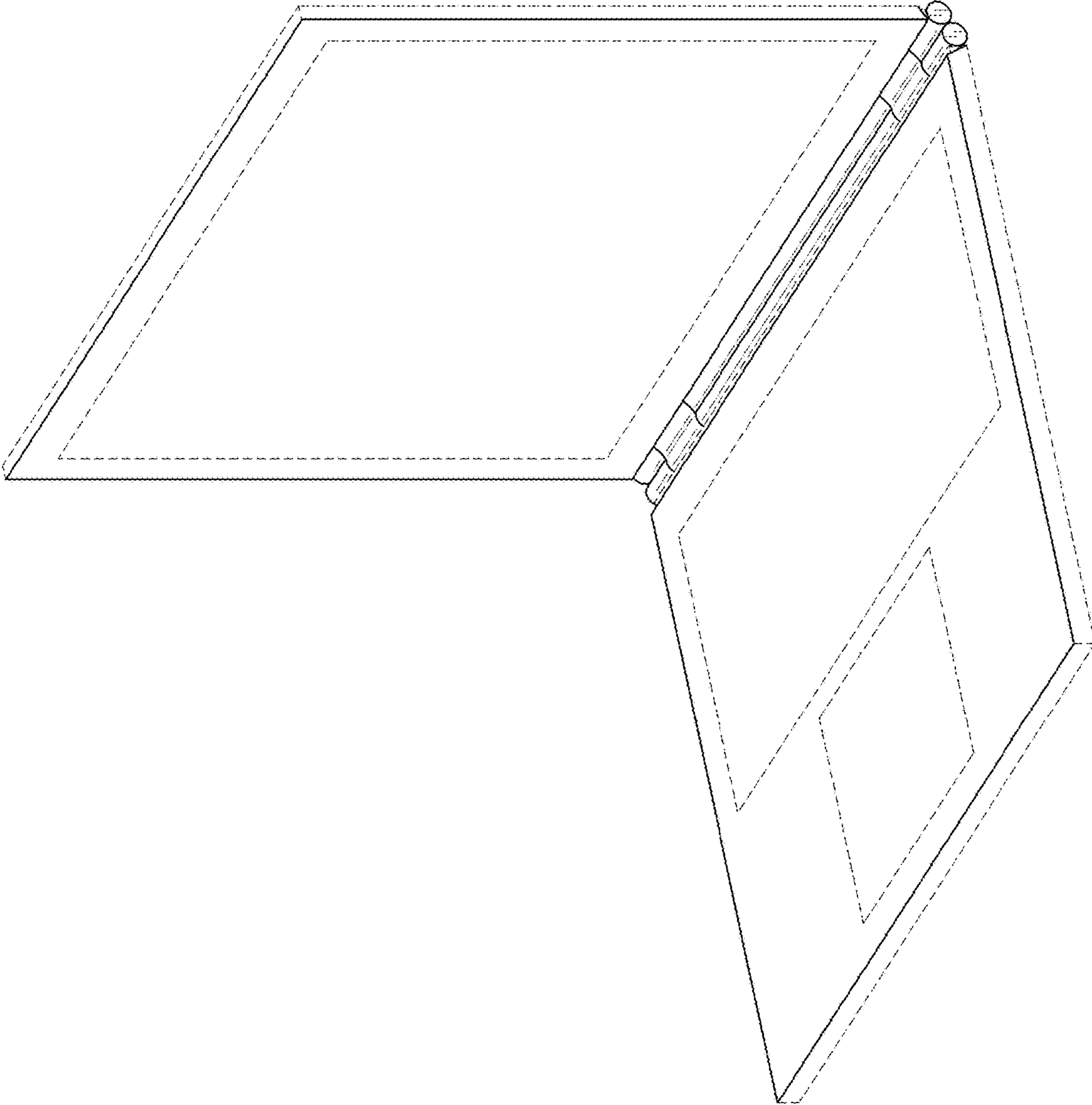


FIG. 8

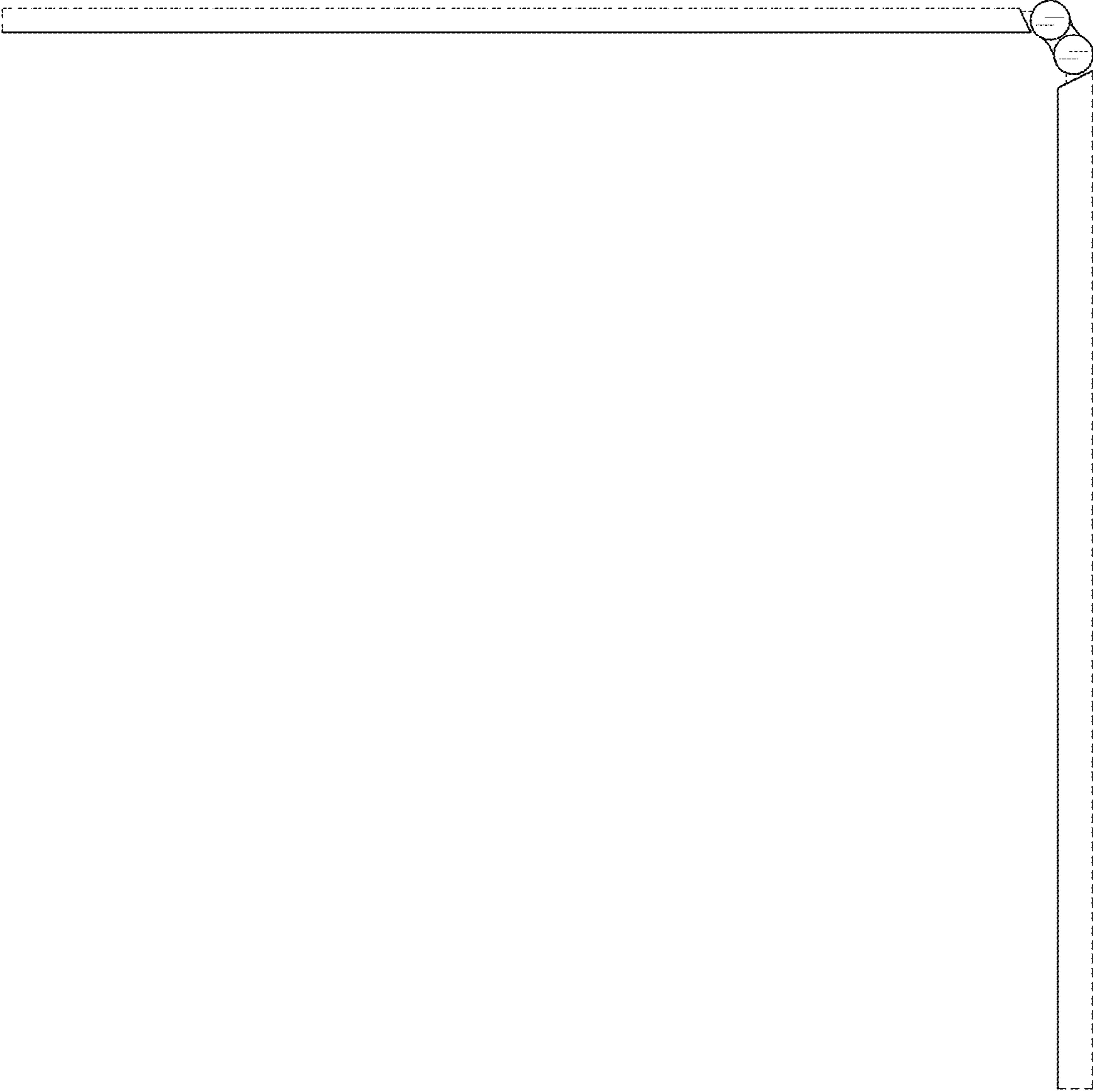


FIG. 9

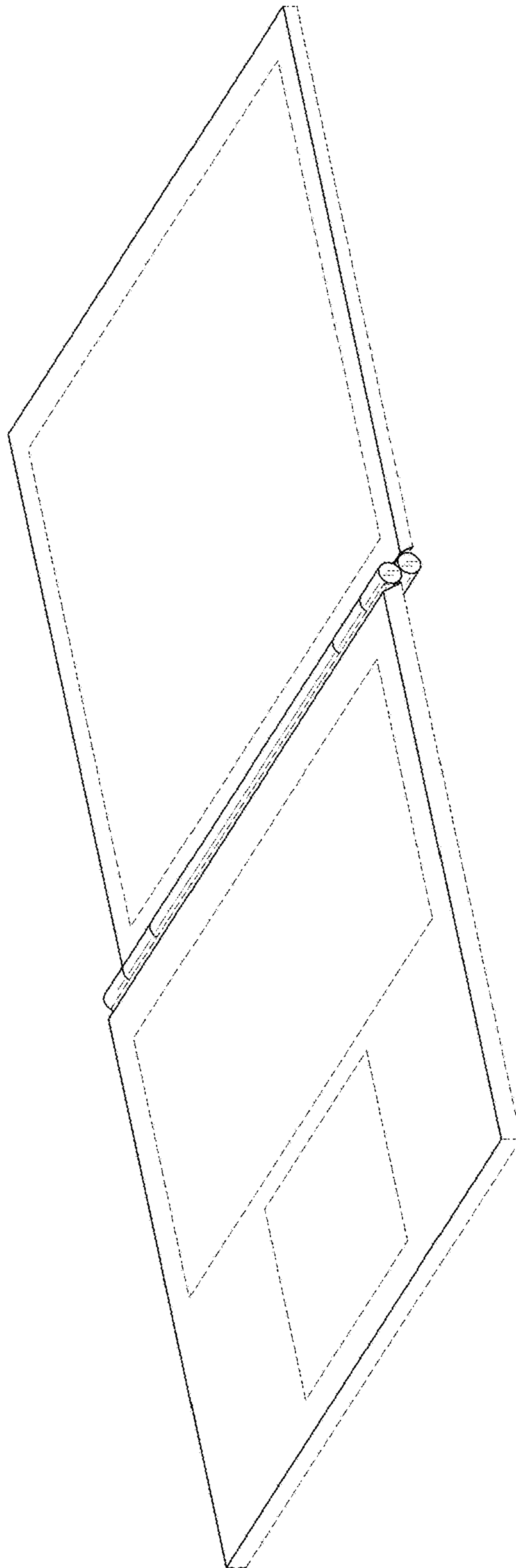


FIG. 10

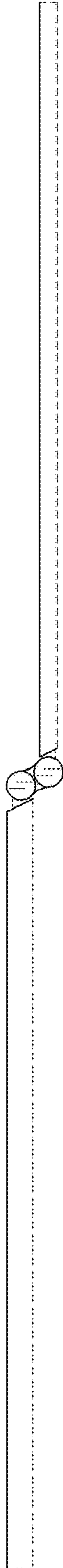


FIG. 11

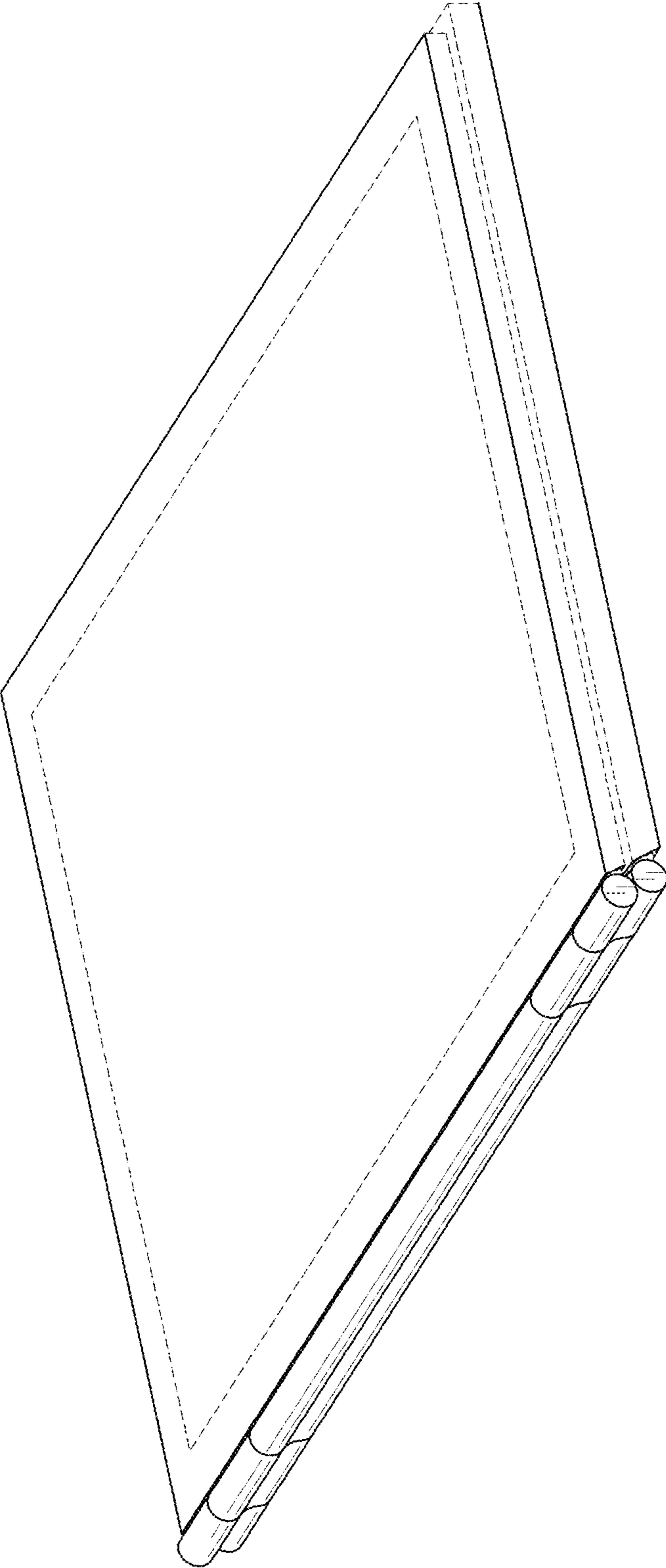


FIG. 12

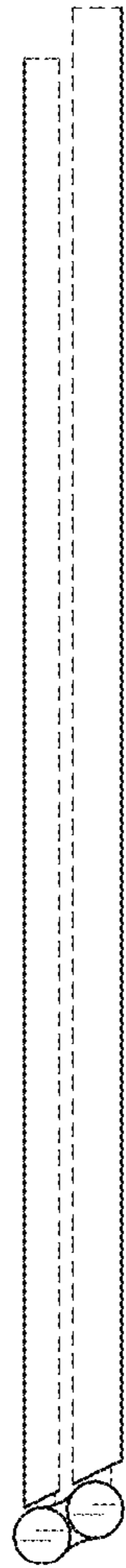


FIG. 13

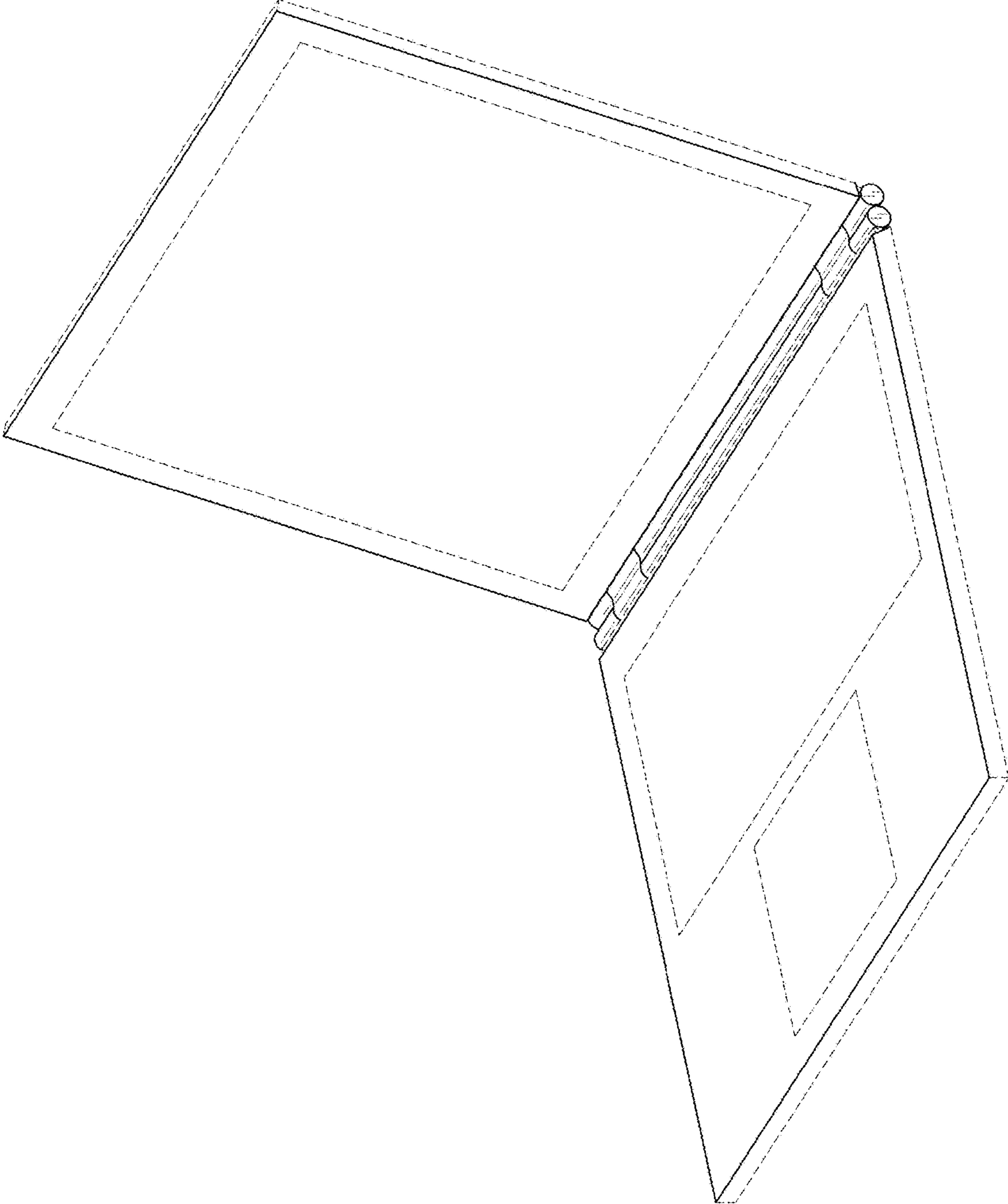


FIG. 14

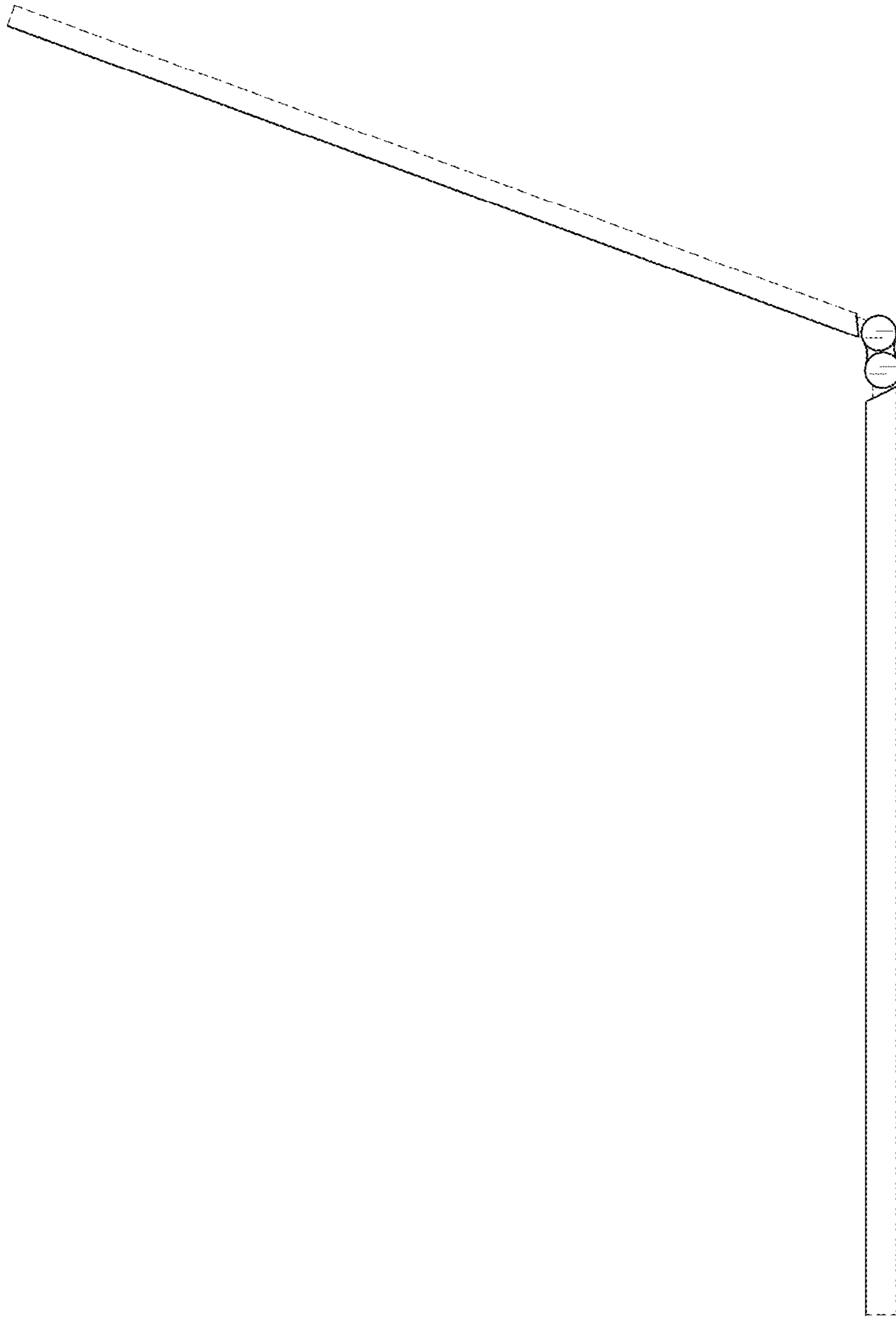


FIG. 15