



US00D915394S

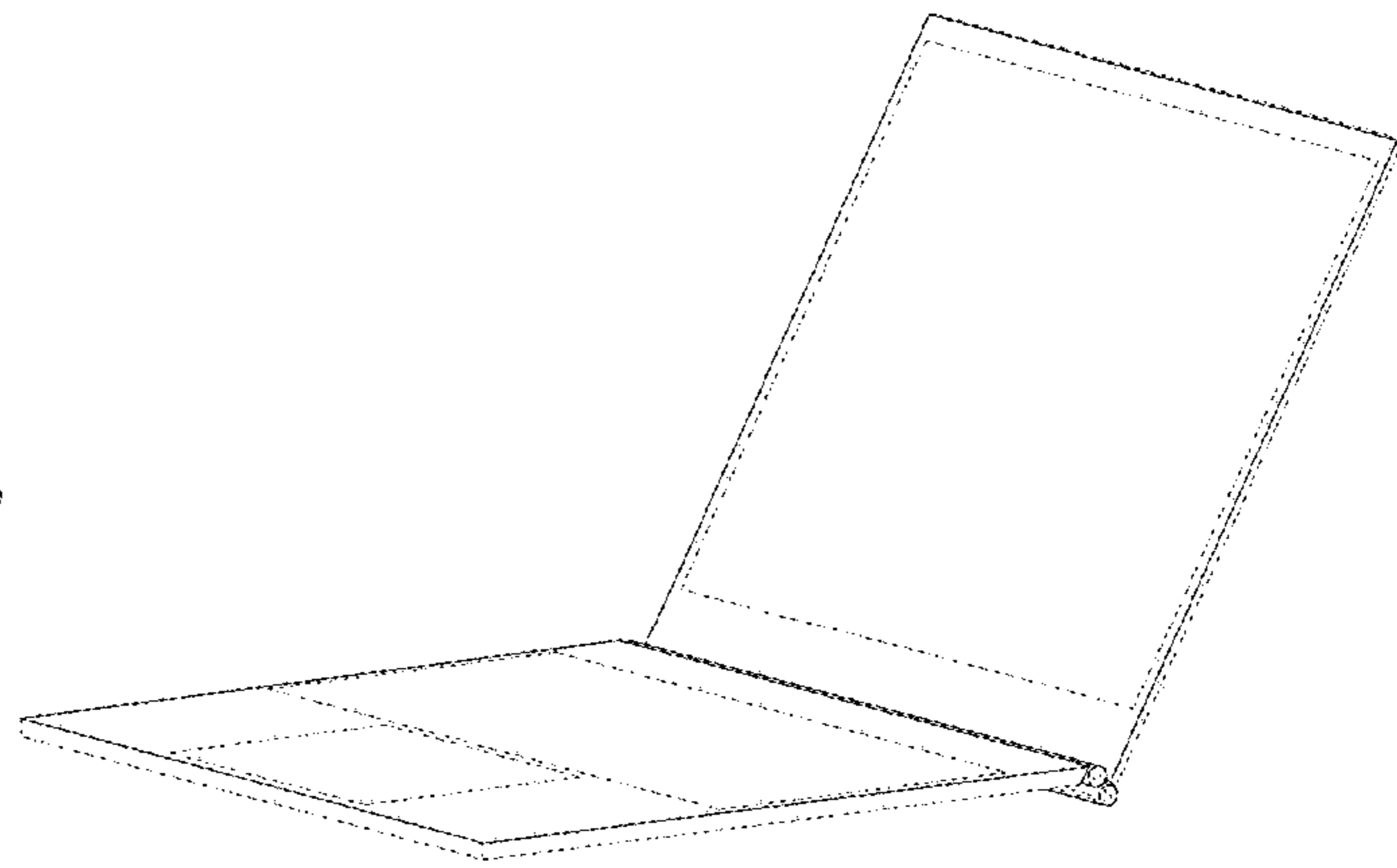
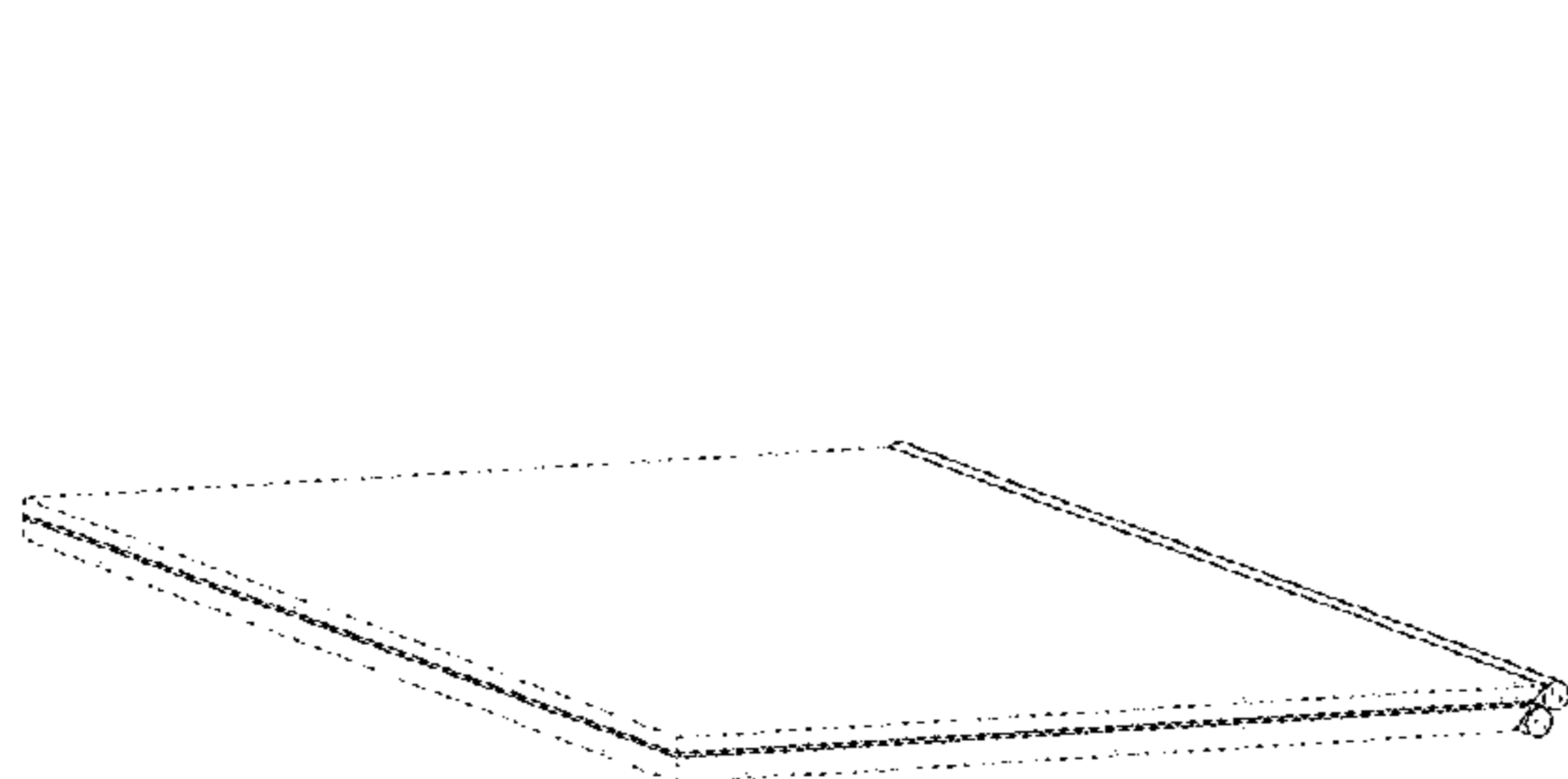
(12) **United States Design Patent**
Lin et al.

(10) **Patent No.:** **US D915,394 S**
(45) **Date of Patent:** **** *Apr. 6, 2021**

- (54) **NOTEBOOK COMPUTER**
- (71) Applicant: **COMPAL ELECTRONICS, INC.,**
Taipei (TW)
- (72) Inventors: **Che-Hsien Lin,** Taipei (TW);
Hsin-Chieh Fang, Taipei (TW);
Wang-Hung Yeh, Taipei (TW);
Shu-Hong Lin, Taipei (TW);
Chun-Wen Wang, Taipei (TW);
Che-Hsien Chu, Taipei (TW)
- (73) Assignee: **COMPAL ELECTRONICS, INC.,**
Taipei (TW)
- (*) Notice: This patent is subject to a terminal disclaimer.
- (**) Term: **15 Years**
- (21) Appl. No.: **29/627,032**
- (22) Filed: **Nov. 22, 2017**
- (51) **LOC (13) Cl.** **14-02**
- (52) **U.S. Cl.**
USPC **D14/327**
- (58) **Field of Classification Search**
USPC D14/315-327, 331, 333-337, 439,
D14/440-444, 448, 450; D18/1-2, 7, 11,
D18/12.2-12.3; D8/323, 325, 327-329
CPC G06F 1/16; G06F 1/1637; G06F 1/1613;
G06F 1/1616; G06F 1/1618; G06F 1/162;
G06F 1/1654; G06F 1/1681; G06F
1/1632; G06F 1/1656; G06F 1/1686;
G06F 3/011; F16M 11/06; F16M 11/10;
F16M 11/14; H05K 5/0226; H02B 1/38;
E05D 11/1078
See application file for complete search history.

- (56) **References Cited**
U.S. PATENT DOCUMENTS
3,947,970 A * 4/1976 Lesure G01B 5/25
33/657
4,546,599 A * 10/1985 Cicci A01D 43/107
56/16.4 R

5,062,319	A *	11/1991	Beckner	B21D 5/14 74/609
D355,171	S *	2/1995	Derocher	D14/326
6,223,393	B1 *	5/2001	Knopf	G06F 1/1618 16/366
D494,161	S *	8/2004	Sawaquchi	D14/318
D494,189	S *	8/2004	Ko	D14/319
D494,580	S *	8/2004	Kondo	D14/318
6,771,494	B2 *	8/2004	Shimano	G06F 1/1616 345/173
6,888,534	B1 *	5/2005	Northway	G06F 1/1626 345/168
D518,042	S *	3/2006	Kanayama	D14/318
D524,306	S *	7/2006	Yun	D14/315
D603,395	S *	11/2009	Hong	D14/315
D615,969	S *	5/2010	Arbisi	D14/315
D621,829	S *	8/2010	Cheng	D14/327
D645,855	S *	9/2011	Lin	D14/315
D645,858	S *	9/2011	Cho	D14/315
D657,785	S *	4/2012	Lee	D14/315
D667,824	S *	9/2012	Ashcraft	D14/315
D684,965	S *	6/2013	Lam	D14/327
D696,245	S *	12/2013	Lee	D14/315
D705,773	S *	5/2014	Tian	D14/318
D706,259	S *	6/2014	Myung	D14/315
D717,296	S *	11/2014	Oh	D14/316
D719,169	S *	12/2014	McBroom	D14/440
D729,231	S *	5/2015	Lam	D14/327
9,057,215	B1 *	6/2015	Horng	E05D 3/12
D750,616	S *	3/2016	Liang	D14/318
D761,249	S *	7/2016	Liang	D14/315
D762,636	S *	8/2016	Liu	D14/315
9,411,365	B1 *	8/2016	Tanner	G06F 1/1618
D766,888	S *	9/2016	Moon	D14/318
D773,452	S *	12/2016	Cheah	D14/315
D778,901	S *	2/2017	Liang	D14/315
D802,584	S *	11/2017	Kong	D14/315
D803,826	S *	11/2017	Wang	D14/316
D807,875	S *	1/2018	Senatori	D14/316
9,880,589	B2 *	1/2018	Noguchi	G06F 1/1637
D811,382	S *	2/2018	Cai	D14/316
9,921,613	B2 *	3/2018	Kuramochi	E05D 3/06
10,015,897	B1 *	7/2018	Hong	H05K 5/0217
10,120,421	B1 *	11/2018	Hong	G06F 1/1681
D834,917	S *	12/2018	Alberti	D8/323
D837,202	S *	1/2019	Lee	D14/315
10,503,207	B1 *	12/2019	Knoppert	G06F 1/1632
10,635,140	B1 *	4/2020	McKittrick	G06F 1/1618
D885,379	S *	5/2020	Wang	D14/327
D888,709	S *	6/2020	Kang	D14/327
D890,167	S *	7/2020	Moon	D14/315
10,712,784	B2 *	7/2020	Hong	E05D 7/00



2004/0001049	A1 *	1/2004	Oakley	G06F 1/1618 345/173
2004/0074050	A1 *	4/2004	Birtley	E05D 11/087 16/340
2005/0101358	A1 *	5/2005	Carpenter	G06F 1/1618 455/575.1
2009/0244009	A1 *	10/2009	Staats	G06F 1/162 345/168
2009/0302722	A1 *	12/2009	Mihara	G06F 1/1616 312/223.2
2013/0021738	A1 *	1/2013	Yang	G06F 1/1616 361/679.27
2014/0063710	A1 *	3/2014	Myung	H05K 5/0017 361/679.4
2016/0132075	A1 *	5/2016	Tazbaz	G06F 1/1681 361/679.27
2016/0161987	A1 *	6/2016	Jacobs	G06F 1/1662 361/679.11
2016/0230436	A1 *	8/2016	Ahn	G06F 1/16
2017/0235337	A1 *	8/2017	Vic	E05D 3/12 361/679.55
2017/0299410	A1 *	10/2017	Gunawan	G01D 5/24
2017/0336733	A1 *	11/2017	Adachi	G03G 15/0889
2017/0356225	A1 *	12/2017	Maatta	E05D 1/04
2017/0356226	A1 *	12/2017	Maatta	E05D 3/12
2018/0049336	A1 *	2/2018	Manuel	E05B 65/0067
2018/0107254	A1 *	4/2018	Godfrey	G06F 1/1681
2018/0363695	A1 *	12/2018	Chuang	F16C 11/04
2019/0004764	A1 *	1/2019	Son	G06F 3/1446
2019/0018460	A1 *	1/2019	Lin	G06F 1/1681
2019/0086970	A1 *	3/2019	Fang	G06F 1/1681
2019/0146561	A1 *	5/2019	Escamilla	G06F 1/1681
2019/0155344	A1 *	5/2019	Lin	G06F 1/1681
2019/0162751	A1 *	5/2019	Elmegreen	G01P 15/105
2019/0163239	A1 *	5/2019	Chen	G06F 1/1666
2019/0317578	A1 *	10/2019	North	G06F 1/1616
2020/0019368	A1 *	1/2020	Ku	G06F 1/1681
2020/0042048	A1 *	2/2020	Quinn	G06F 1/1656
2020/0301480	A1 *	9/2020	Miller	G06F 1/1616

OTHER PUBLICATIONS

Dywishkey Brass Round Rods Bar Assorted, posted at Amazon, comment posted Jul. 3, 2017. Site visited Jun. 4, 2019. URL: (Year: 2017).*

Eowpower Brass Round Rods Bar Assorted, posted at Amazon, review posted Nov. 30, 2017. Site visited Jun. 4, 2019. URL: (Year: 2017).*

Herrick, Justin, Lenovo Book review: The big effort for an Android laptop misses, posted at Talk Android, posting date Nov. 18, 2016. Site visited May 31, 2019. URL: <https://www.talkandroid.com/reviews/tablet-reviews/lenovo-yoga-book> (Year: 2016).*

Lanparte 15 mm Carbon Fiber Rods, posted at Adorama, review posted Aug. 29, 2017. Site visited Jun. 2, 2019. URL: <https://www.adorama.com/lacfr450.html> (Year: 2017).*

Making dowels—the pencil sharpener method, posted at Wood Gears, posting date Jul. 14, 2011. Site visited May 31, 2019. URL: <http://web.archive.org/web/20110714190910/https://woodgears.ca/dowel-making.html> (Year: 2011).*

Diabolo Sticks, posted at Oddballs, posting date Feb. 3, 2016. Site visited May 31, 2019. URL: <https://www.oddballs.co.uk/blog/diabolo-sticks> (Year: 2016).*

36" Wooden Dowel by ArtMinds, posted at Michael's, review posted 2016. Site visited May 31, 2019. URL: <https://www.michaels.com/1%2F4in-x-36in-dowel-by-woodgrain-millwork-10529602.html> (Year: 2016).*

Dual Cylindrical 360 Notebook computer, posted at World Design Guide, posting year 2019. Site visited Jan. 15, 2020. URL: <https://ifworlddesignguide.com/entry/247871-dual-cylindrical-360> (Year: 2019).*

MSI Wind U160 Review, posted at Notebook Review, posting date Apr. 26, 2010. Site visited Jan. 15, 2020. URL: <http://www.notebookreview.com/notebookreview/msi-wind-u160-review/> (Year: 2010).*

* cited by examiner

Primary Examiner — Kathleen L Jones
(74) Attorney, Agent, or Firm — JCIPRNET

(57) CLAIM

The ornamental design for a notebook computer, as shown and described.

DESCRIPTION

FIG. 1 is a perspective view of a notebook computer showing our new design;
FIG. 2 is a front view of FIG. 1;
FIG. 3 is a rear view of FIG. 1;
FIG. 4 is a left side view of FIG. 1;
FIG. 5 is a right side view of FIG. 1;
FIG. 6 is a top view of FIG. 1;
FIG. 7 is a bottom view of FIG. 1;
FIG. 8 is another perspective view showing a first opened state of FIG. 1;
FIG. 9 is a front view of FIG. 8;
FIG. 10 is a rear view of FIG. 8;
FIG. 11 is a left side view of FIG. 8;
FIG. 12 is a right side view of FIG. 8;
FIG. 13 is a top view of FIG. 8;
FIG. 14 is a bottom view of FIG. 8;
FIG. 15 is another perspective view showing a second opened state of FIG. 1;
FIG. 16 is a front view showing a second opened state of FIG. 15;
FIG. 17 is a rear view showing the second opened state of FIG. 15;
FIG. 18 is a left side view showing the second opened state of FIG. 15;
FIG. 19 is a right side view showing the second opened state of FIG. 15;
FIG. 20 is a top view showing the second opened state of FIG. 15;
FIG. 21 is a bottom view showing the second opened state of FIG. 15;
FIG. 22 is another perspective view showing a third opened state of FIG. 1;
FIG. 23 is a front view showing a third opened state of FIG. 22;
FIG. 24 is a rear view showing the third opened state of FIG. 22;
FIG. 25 is a left side view showing the third opened state of FIG. 22;
FIG. 26 is a right side view showing the third opened state of FIG. 22;
FIG. 27 is a top view showing the third opened state of FIG. 22;
FIG. 28 is a bottom view showing the third opened state of FIG. 22; and
FIG. 29 is another perspective view showing a fourth opened state of FIG. 1.

The broken lines showing portions of the notebook computer form no part of the claimed design.

1 Claim, 22 Drawing Sheets

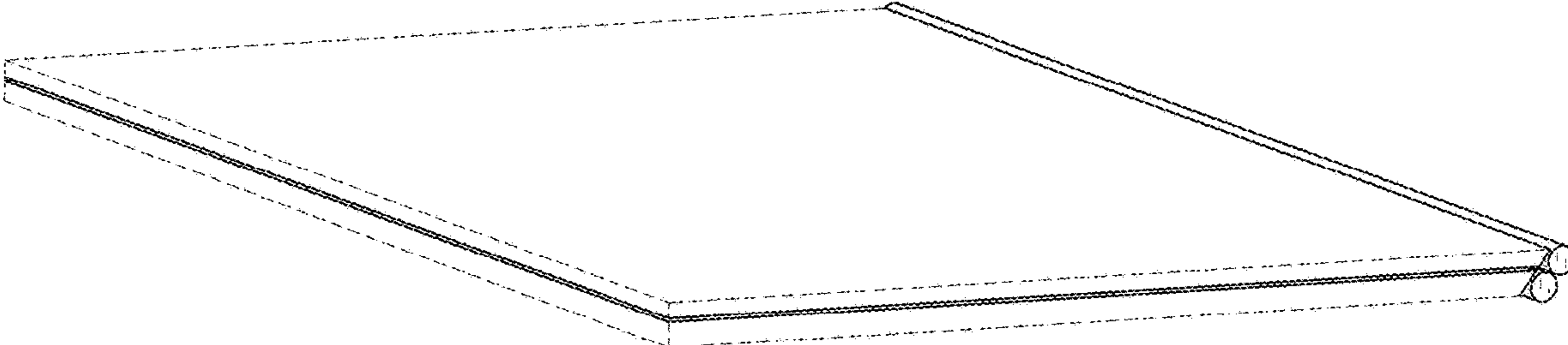


FIG. 1



FIG. 2



FIG. 3

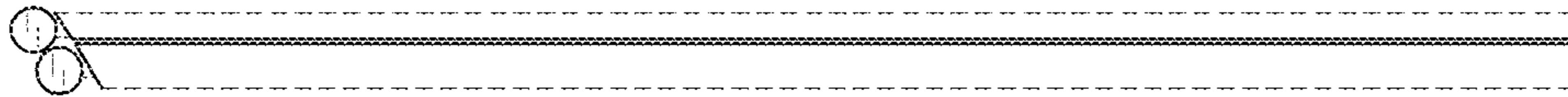


FIG. 4

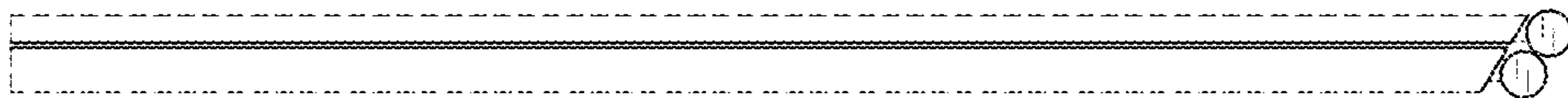


FIG. 5



FIG. 6



FIG. 7

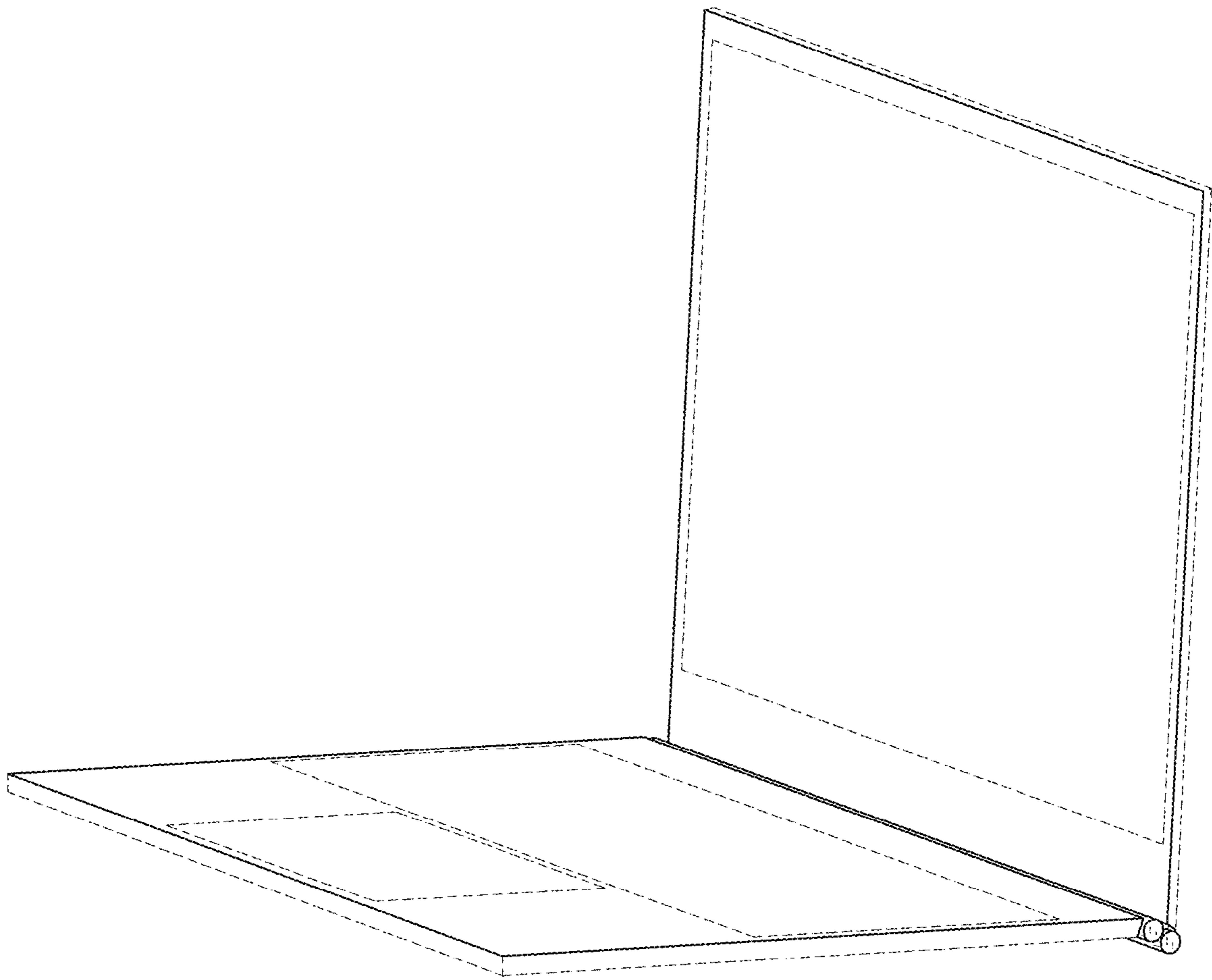


FIG. 8

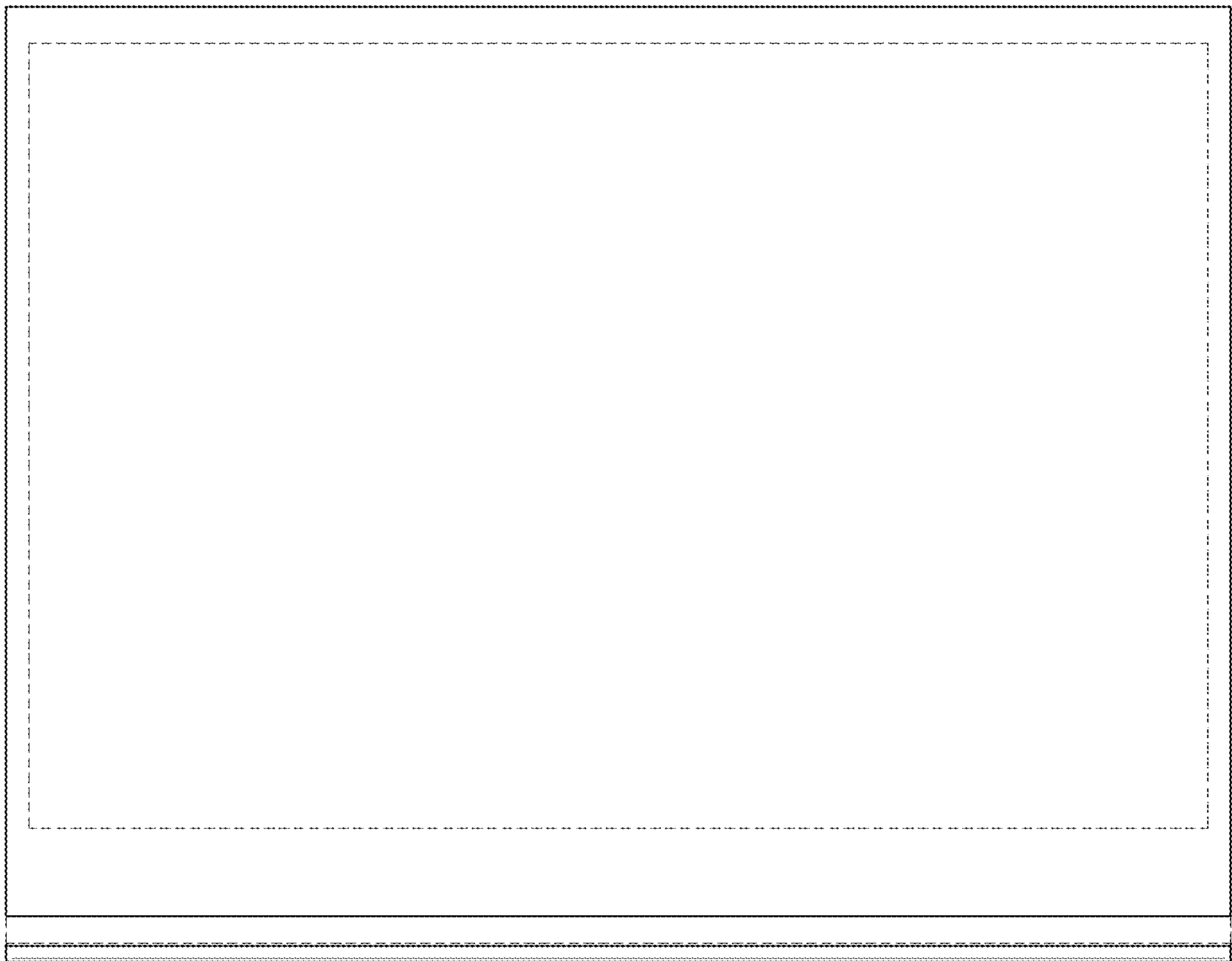


FIG. 9



FIG. 10

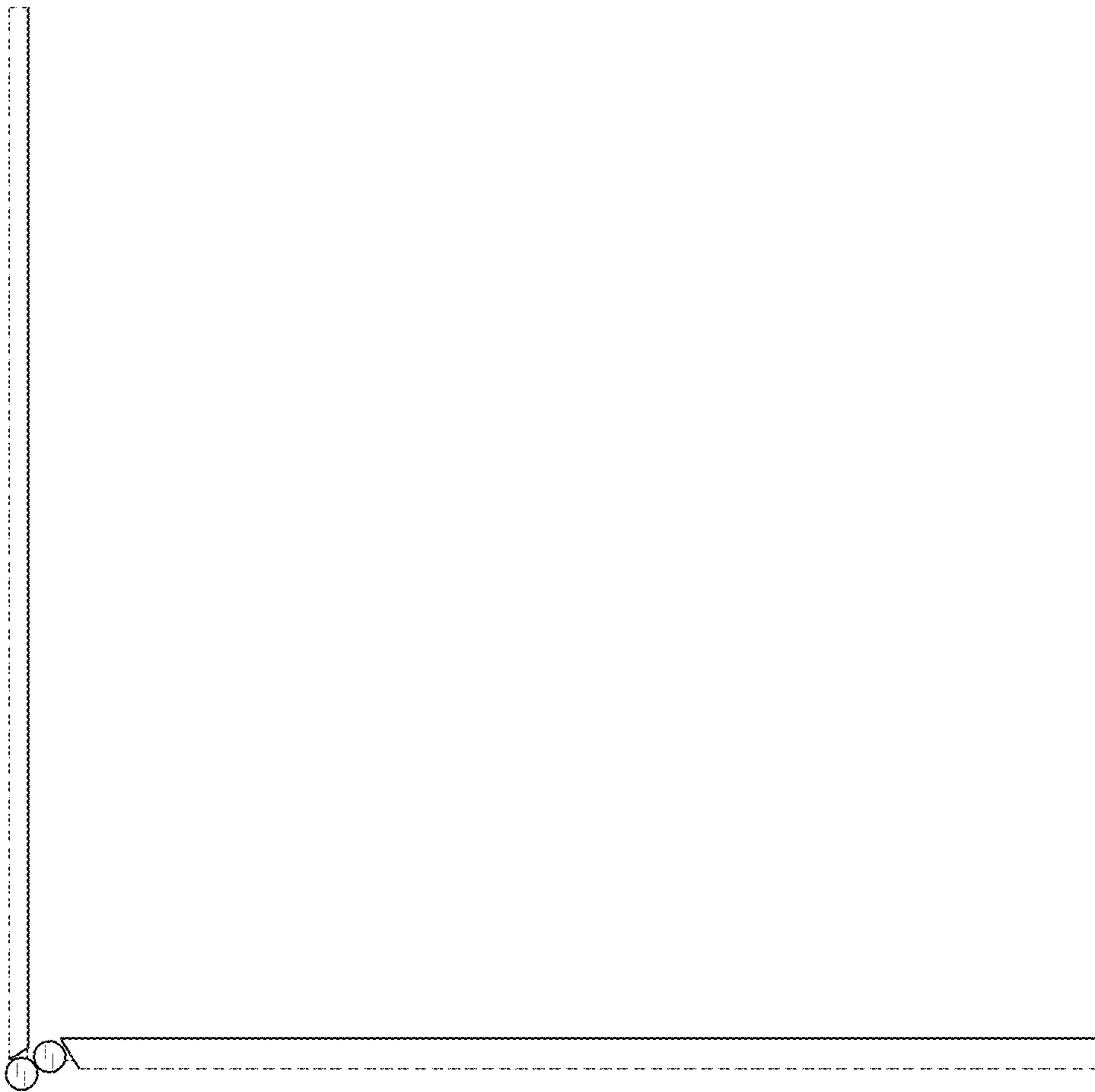


FIG. 11



FIG. 12



FIG. 13



FIG. 14

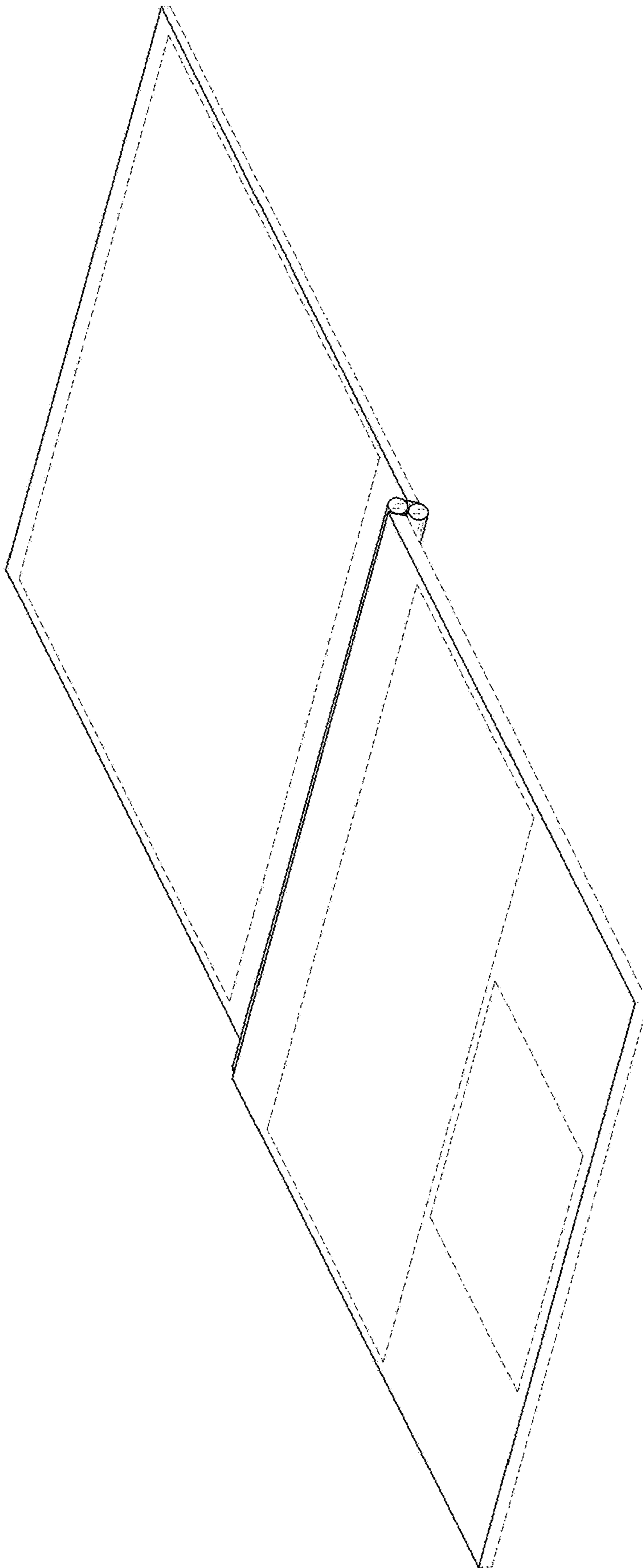


FIG. 15

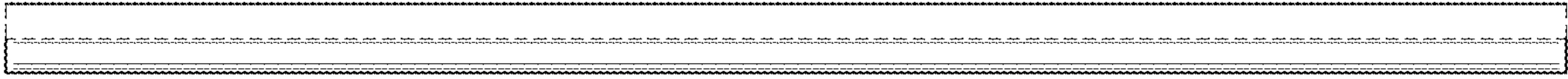


FIG. 16

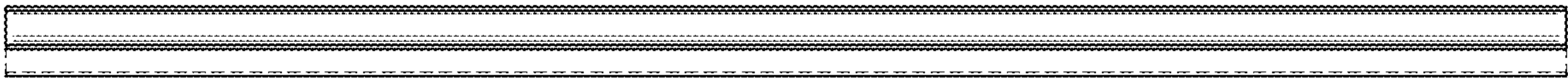
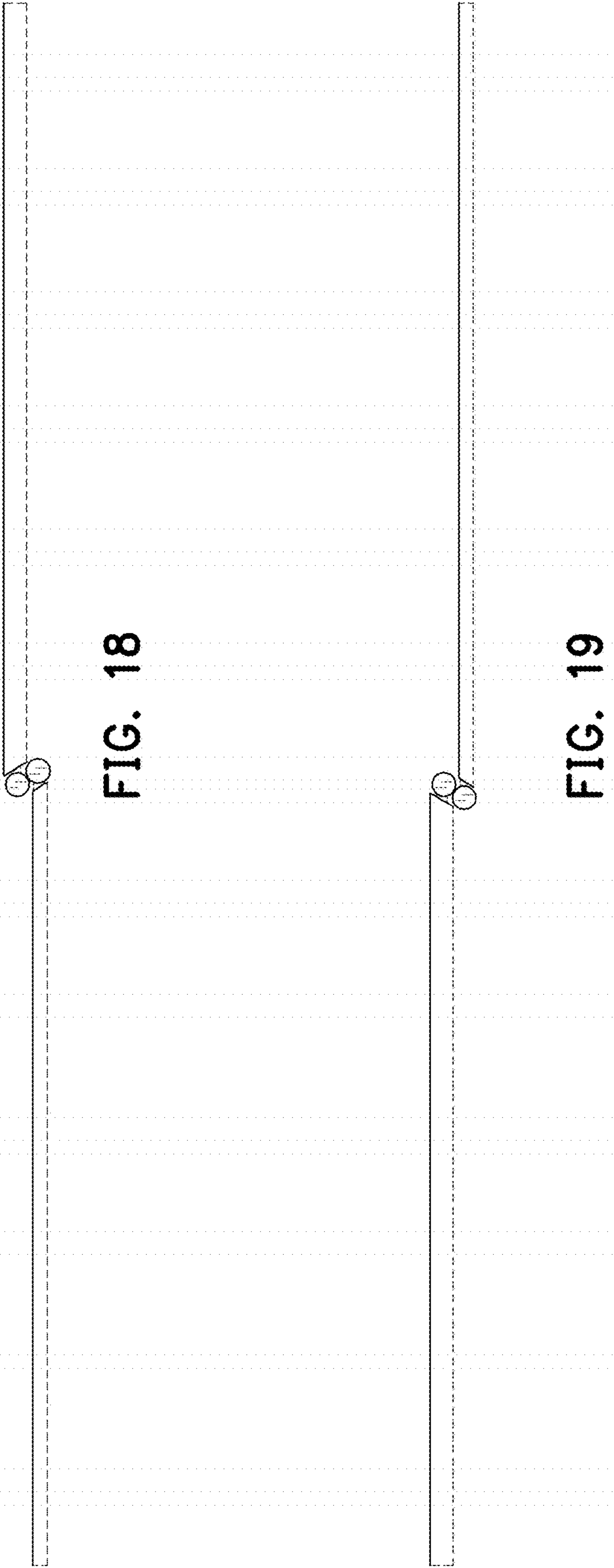


FIG. 17



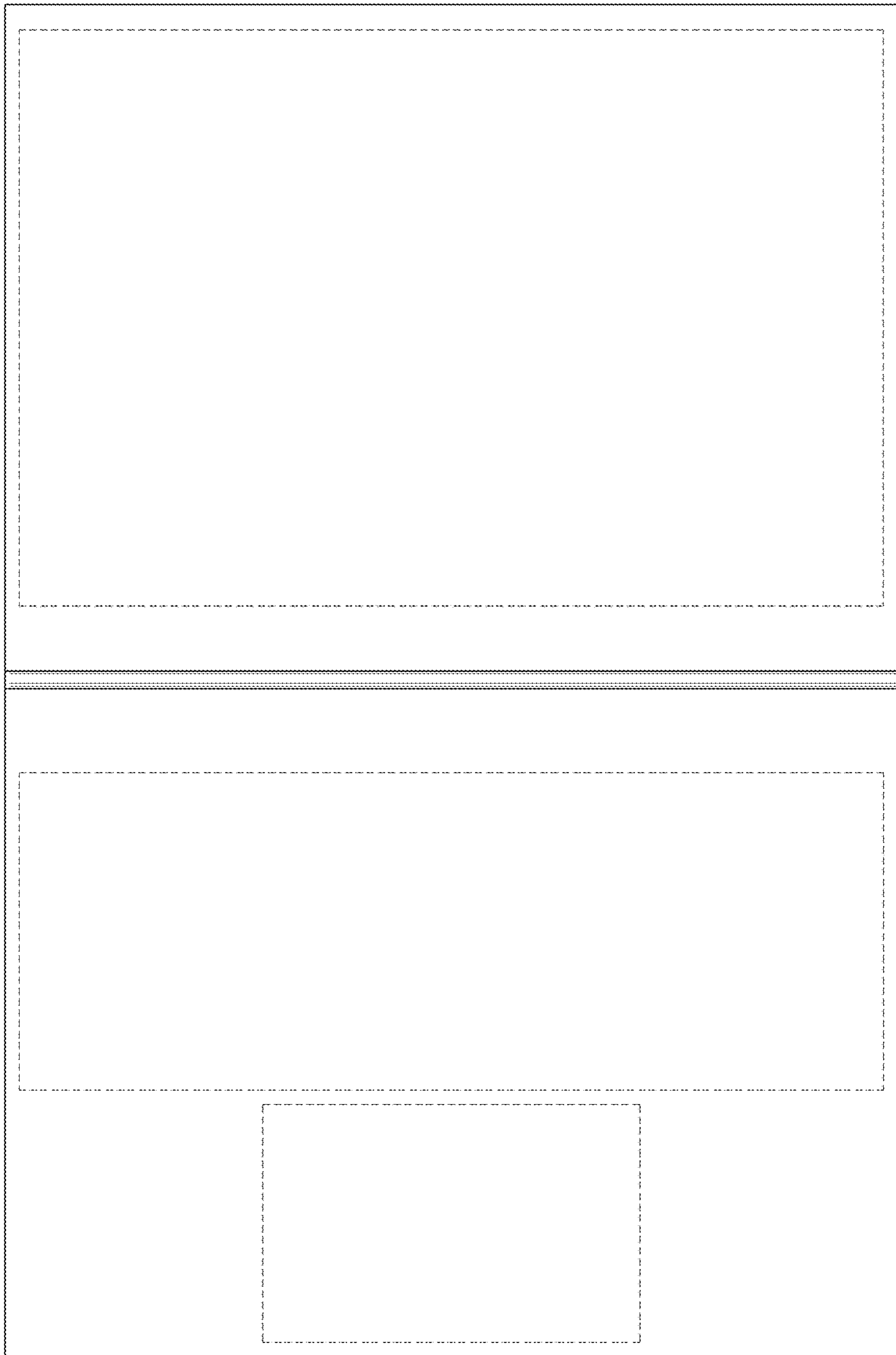


FIG. 20



FIG. 21

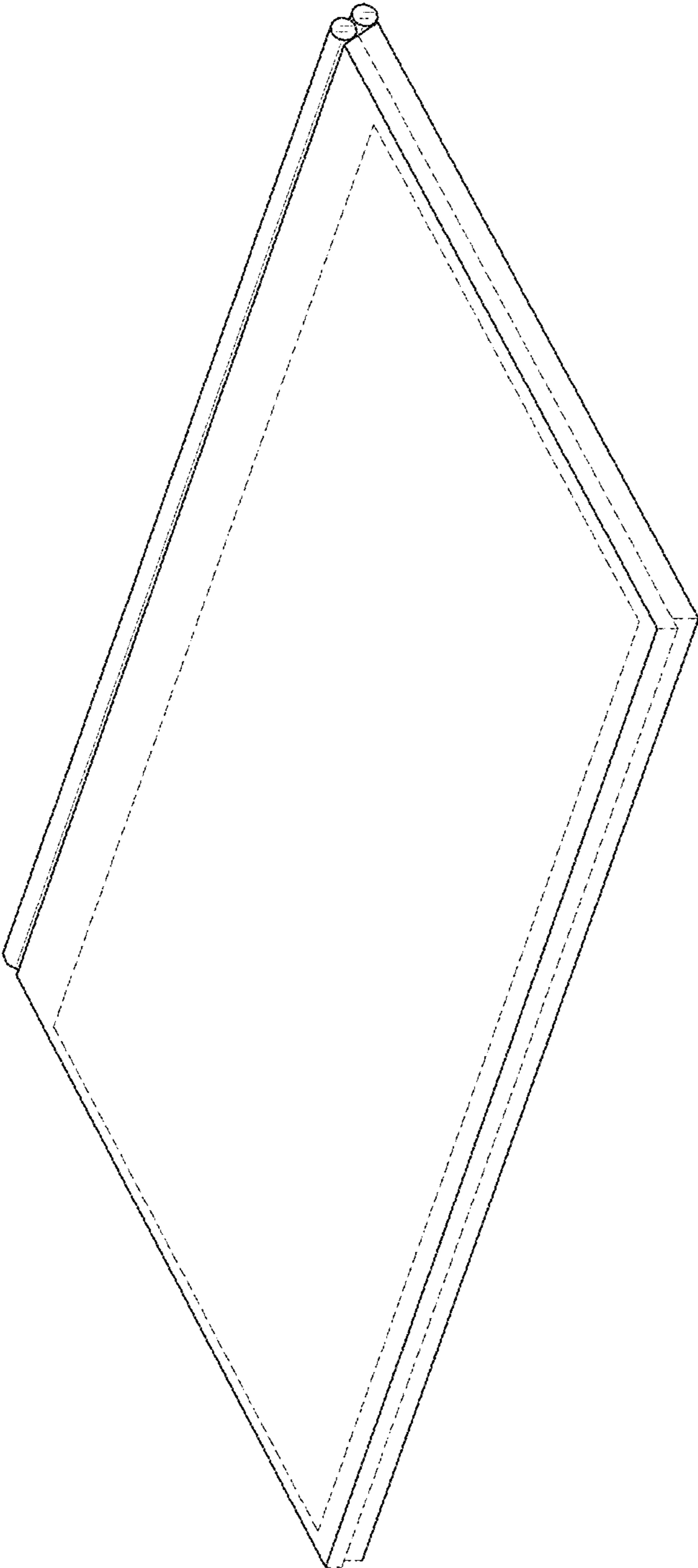


FIG. 22

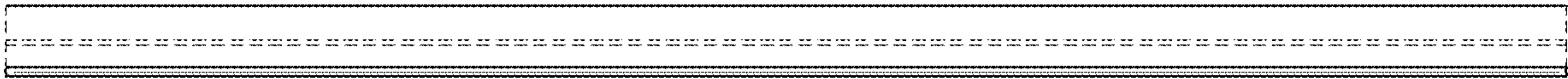


FIG. 23

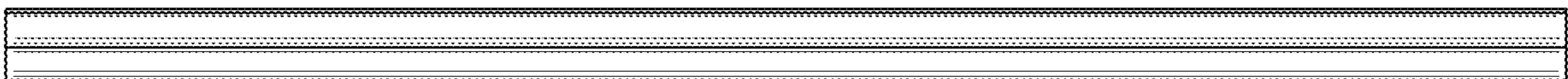


FIG. 24

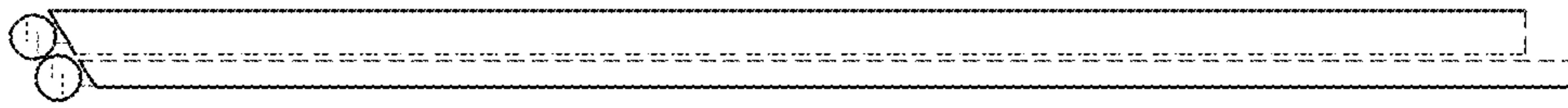


FIG. 25

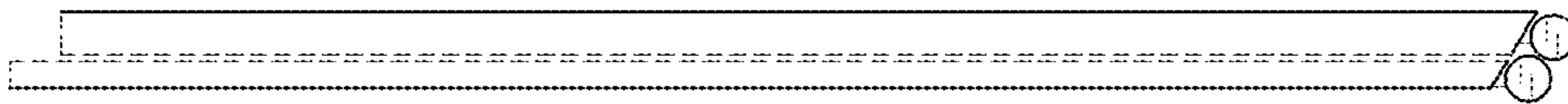


FIG. 26



FIG. 27

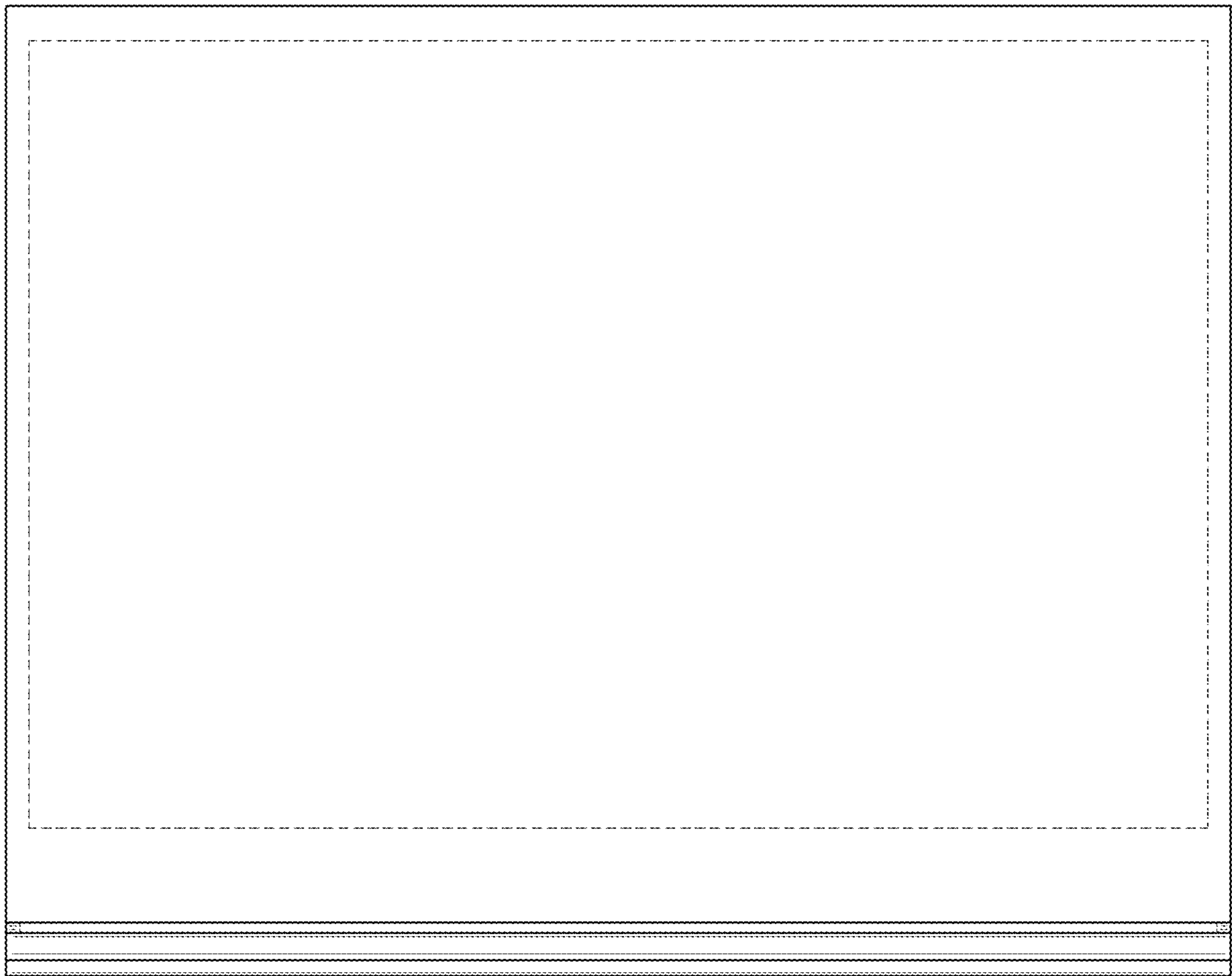


FIG. 28

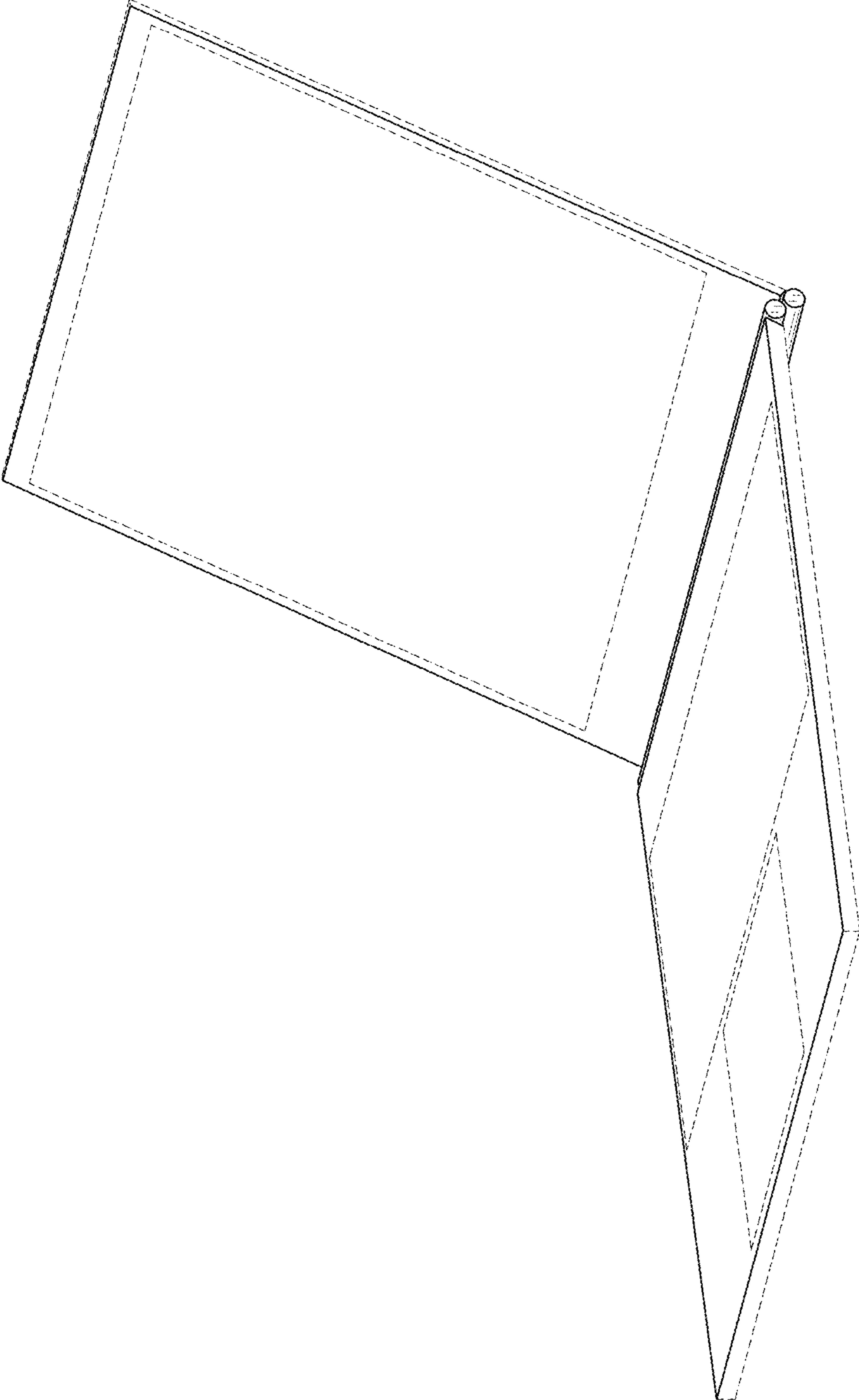


FIG. 29