



US00D915390S

(12) **United States Design Patent** (10) **Patent No.:** **US D915,390 S**  
**Lim** (45) **Date of Patent:** **\*\* Apr. 6, 2021**

(54) **MOVABLE PLATFORM FOR PORTABLE DEVICE HOLDER**

(71) Applicant: **ESI Cases & Accessories**, New York, NY (US)

(72) Inventor: **Kwangpyo Lim**, New York, NY (US)

(73) Assignee: **ESI Cases & Accessories**, New York, NY (US)

(\*\*) Term: **15 Years**

(21) Appl. No.: **29/668,706**

(22) Filed: **Nov. 1, 2018**

(51) **LOC (13) Cl.** ..... **14-03**

(52) **U.S. Cl.**  
USPC ..... **D14/253; D14/447**

(58) **Field of Classification Search**  
USPC ..... D3/201, 212, 218, 226, 227, 247, 249, D3/250, 269, 303; D13/103, 107, 108, D13/119; D14/137, 138 R, 138 AA, D14/138 C, 138 G, 172, 192, D14/203.3–203.7, 217, 238.1, 247, 248, D14/250–253, 434, 440, 447, 496; D12/133, 415–422; D8/309  
CPC ..... H04B 1/3888; H04M 1/0283; H04M 1/0202; A45C 1/06; A45C 2011/002; A45C 11/00; A45F 2005/028; A45F 2200/0525

See application file for complete search history.

(56) **References Cited**

**U.S. PATENT DOCUMENTS**

D189,473 S \* 12/1960 Bertsch ..... D8/309  
4,161,891 A \* 7/1979 Bossert ..... G05G 1/085  
16/422

(Continued)

**OTHER PUBLICATIONS**

5 ways to charge your phone in an emergency, publication date Apr. 12, 2013, [online][site visited Oct. 14, 2020] URL: <https://www.makeuseof.com/tag/5-ways-to-charge-your-phone-in-an-emergency/> (Year: 2013).\*

makeuseof.com/tag/5-ways-to-charge-your-phone-in-an-emergency/ (Year: 2013).\*

(Continued)

*Primary Examiner* — L. A. Grabenstetter

(74) *Attorney, Agent, or Firm* — Amster, Rothstein & Ebenstein LLP

(57) **CLAIM**

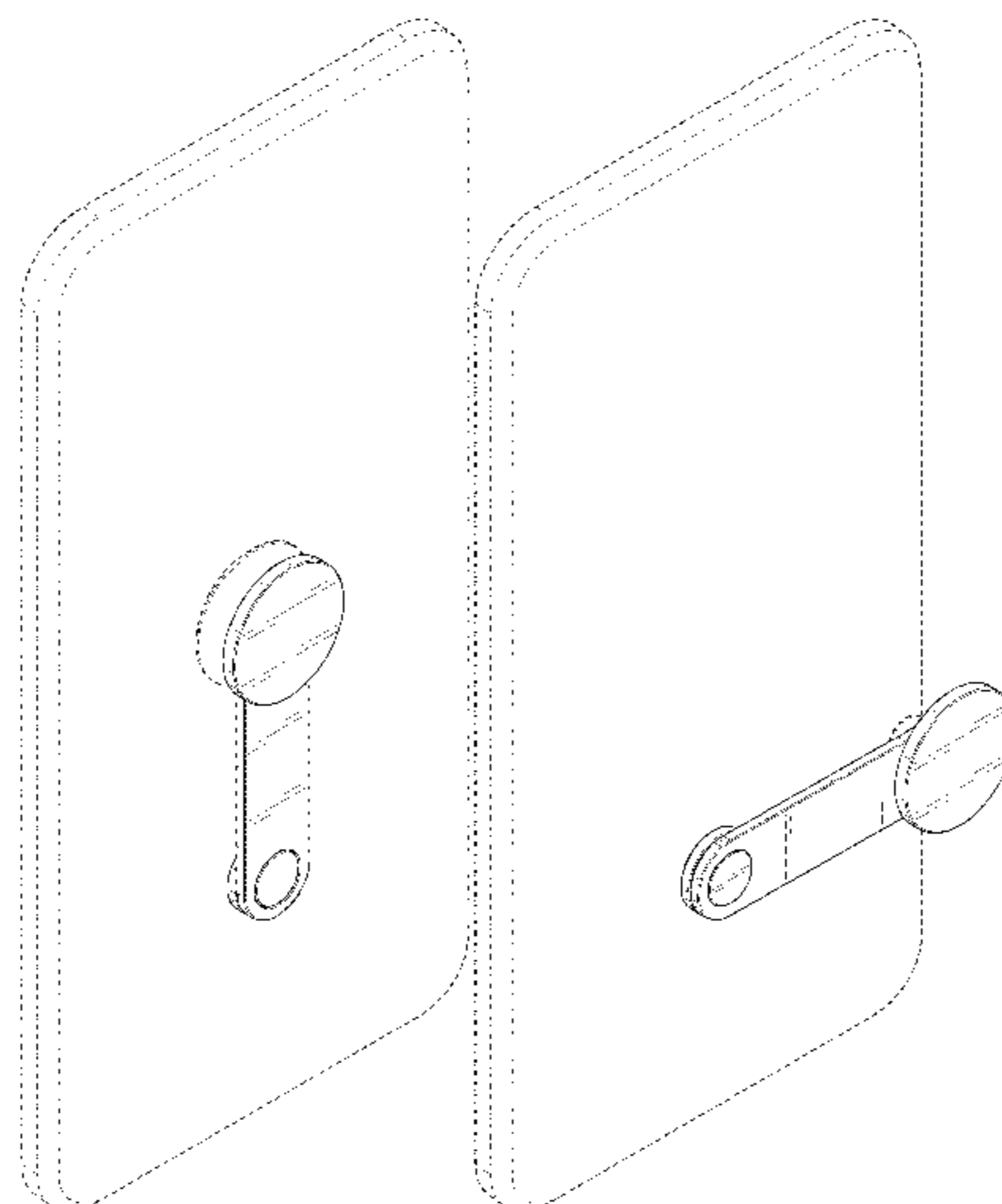
The ornamental design for a movable platform for portable device holder, as shown and described.

**DESCRIPTION**

FIG. 1 is a perspective view of a movable platform for portable device holder attached to a portable device protective cover in a first position, showing my new design; FIG. 2 is a front view thereof; FIG. 3 is a back view thereof; FIG. 4 is a left side view thereof; FIG. 5 is a right side view thereof; FIG. 6 is a top view thereof; FIG. 7 is a bottom view thereof; FIG. 8 is a perspective view of the movable platform for portable device holder of FIG. 1, attached to a portable device protective cover in a second position; FIG. 9 is a perspective view of the movable platform for portable device holder of FIG. 1 in an alternative environment, attached to a portable device protective cover in the first position; and, FIG. 10 is a perspective view of the movable platform for portable device holder of FIG. 1 in the alternative environment of FIG. 9, attached to a portable device protective cover in the second position.

The broken lines in FIGS. 1-10 depict portions of the movable platform for portable device holder and portable device protective cover that represent unclaimed environment and form no part of the claimed design.

**1 Claim, 8 Drawing Sheets**



(56)

References Cited

U.S. PATENT DOCUMENTS

4,220,054 A \* 9/1980 Kuhlman ..... G05G 1/085  
16/441  
D331,531 S \* 12/1992 Guhl ..... D8/309  
D391,148 S \* 2/1998 Rosen ..... D14/452  
D427,604 S \* 7/2000 Rosen ..... D14/447  
D523,320 S \* 6/2006 Bertani ..... D8/309  
D745,361 S \* 12/2015 Glasband ..... D8/309  
D765,662 S 9/2016 Kang  
D778,275 S \* 2/2017 Gabriel ..... D14/250  
D782,488 S 3/2017 Kim  
D786,234 S \* 5/2017 Bo ..... D14/252  
D815,086 S 4/2018 Jeon et al.  
D829,722 S 10/2018 Kim  
10,117,505 B1 11/2018 Alvarez  
D842,851 S \* 3/2019 Leitman ..... D14/253  
D844,598 S 4/2019 Jang  
D855,048 S 7/2019 Kim  
D858,507 S 9/2019 Jang  
D859,417 S 9/2019 Kim  
D861,333 S 10/2019 Feng  
D861,334 S 10/2019 Feng  
D865,750 S \* 11/2019 Richter ..... D14/253

D865,751 S \* 11/2019 Richter ..... D14/253  
D871,389 S \* 12/2019 Lim ..... D14/253  
2013/0279098 A1 10/2013 Cho  
2015/0257288 A1 9/2015 Livernois  
2016/0076692 A1 3/2016 Sun et al.  
2017/0104854 A1 4/2017 Park  
2017/0293207 A1 10/2017 Jeon  
2017/0324852 A1 11/2017 Sadai

OTHER PUBLICATIONS

Low Battery? Hand-crank your phone back to life with this case, publication date Mar. 18, 2015, [online][site visited Oct. 14, 2020] URL: <https://www.nbcnews.com/tech/gadgets/low-battery-hand-crank-your-phone-back-life-case-n326001> (Year: 2015).\*

Can a hand-cranked charger actually run your phone? Ampware phone case, publication date Mar. 9, 2017, [online][site visited Oct. 14, 2020] URL: <https://www.adventure-journal.com/2017/03/portable-charger/> (Year: 2017).\*

Dual Lightning Ring Holder Adapter USAMS 3.5mm Audio & charger Adjustable Phone Holder Adapter. Retrieved Oct. 24, 2019, from <https://www.ebay.com/i/254132640191>.

\* cited by examiner

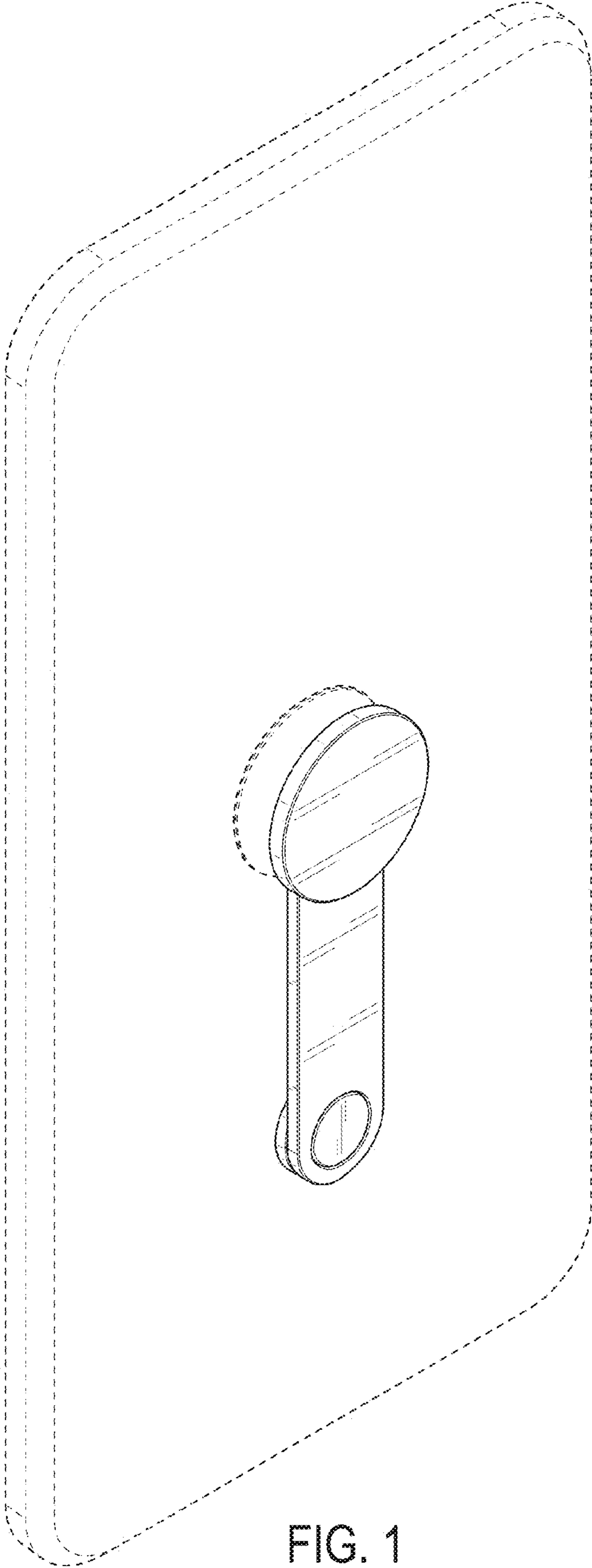


FIG. 1

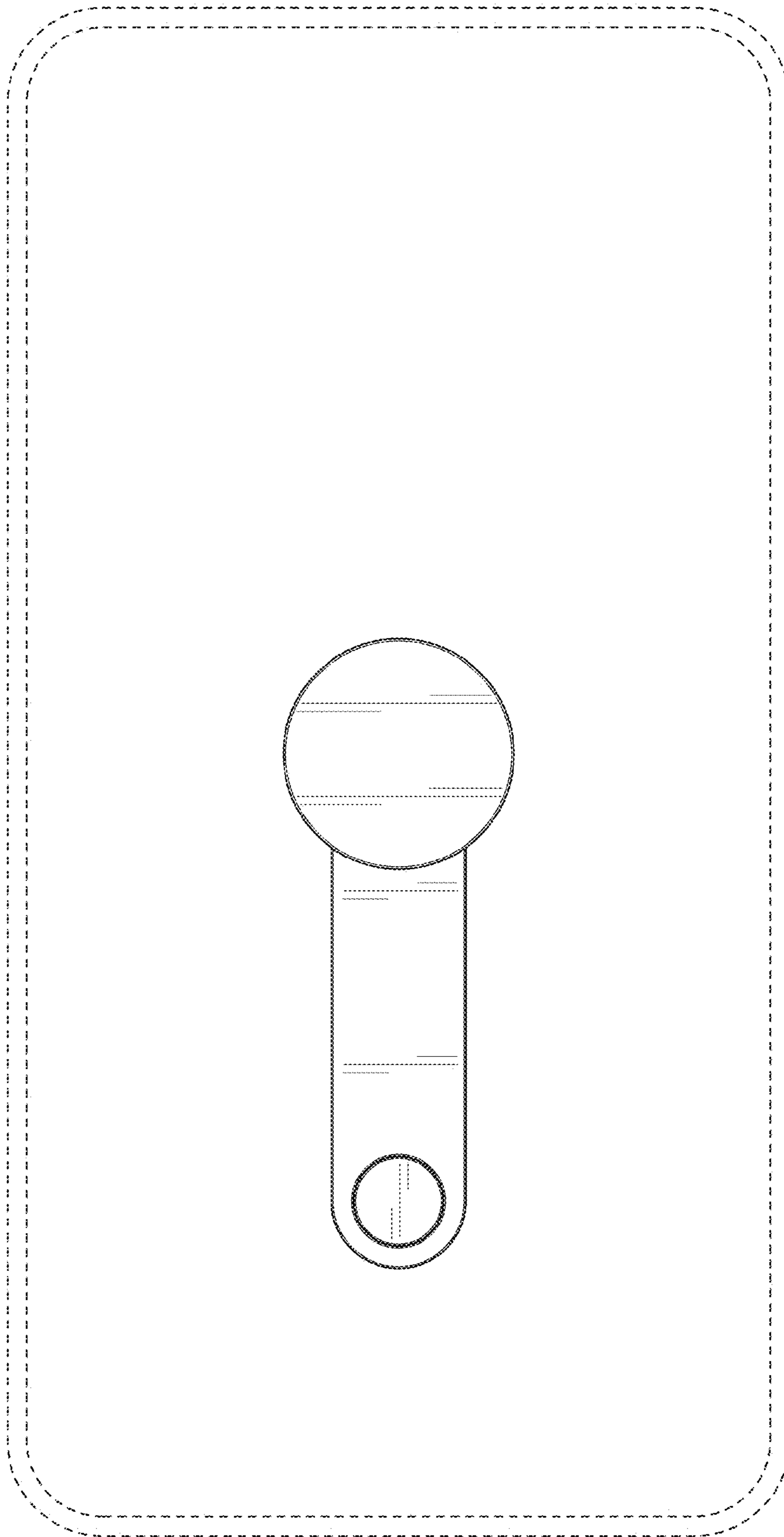


FIG. 2

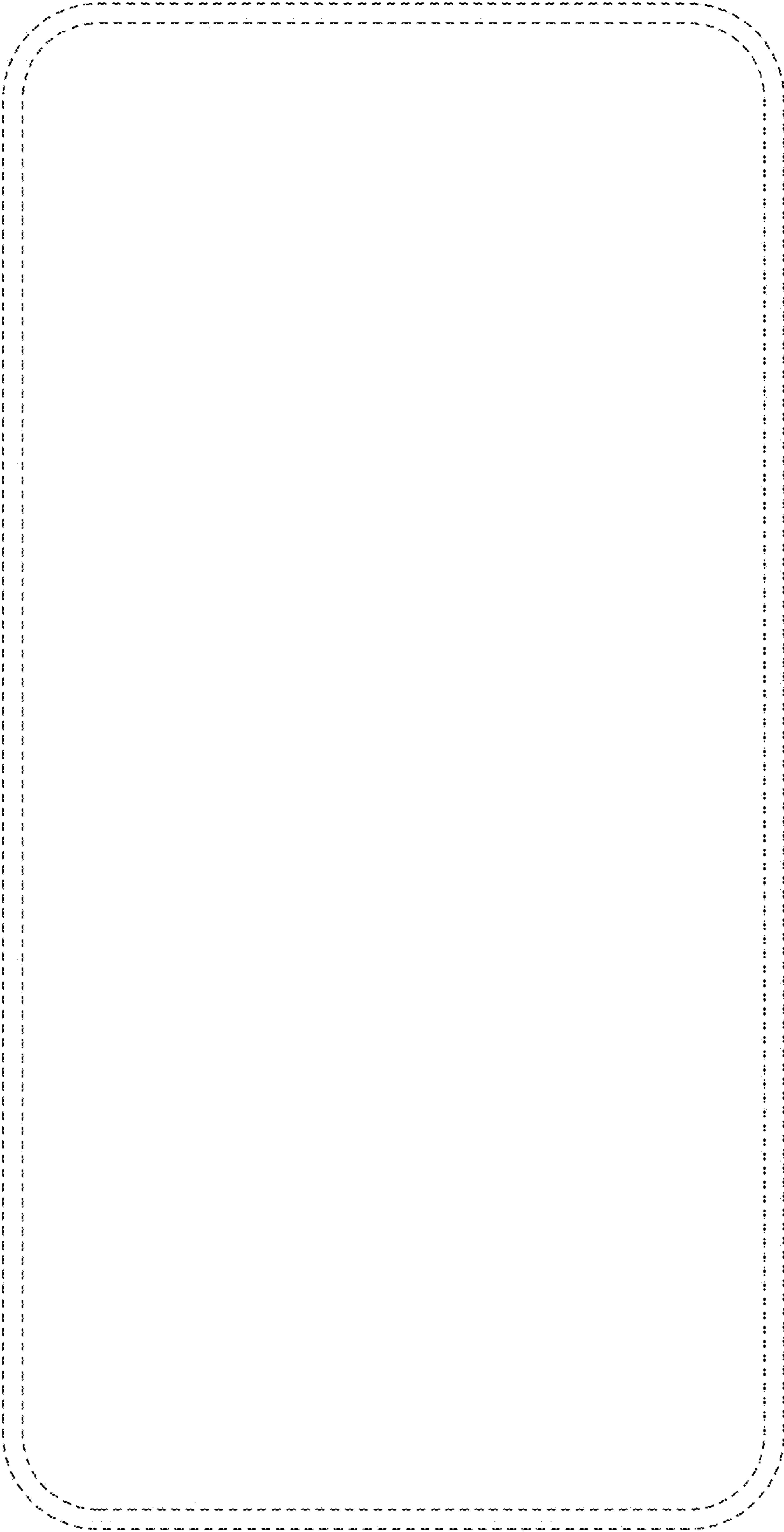


FIG. 3

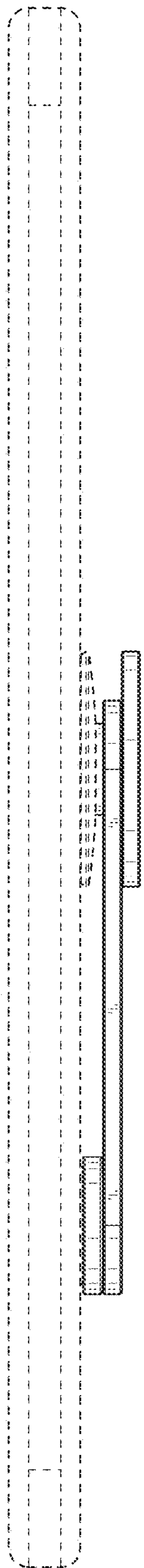


FIG. 4

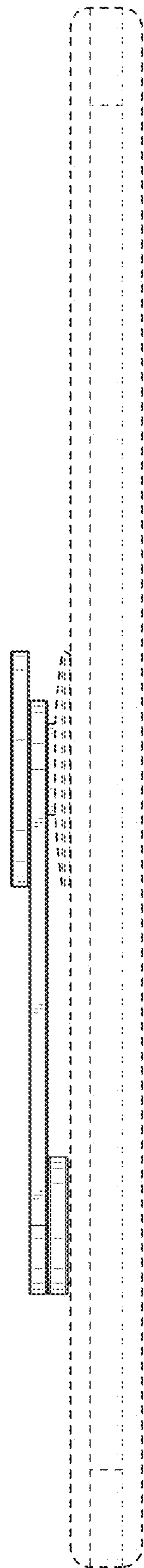


FIG. 5

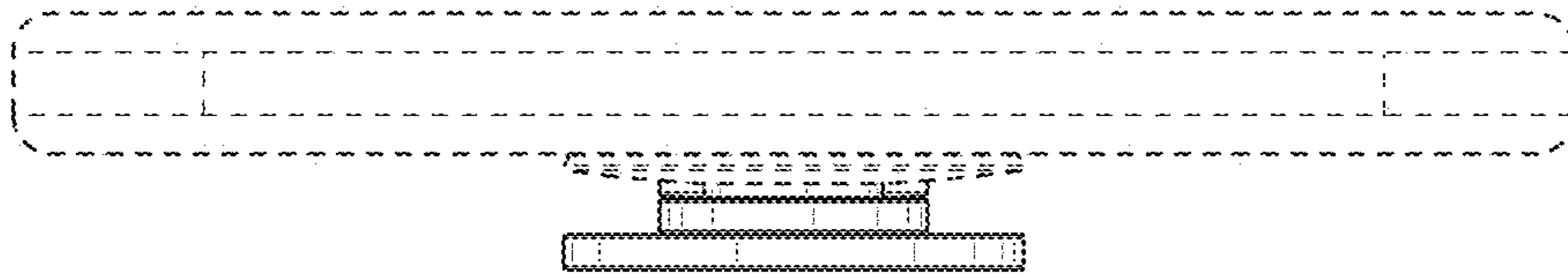


FIG. 6

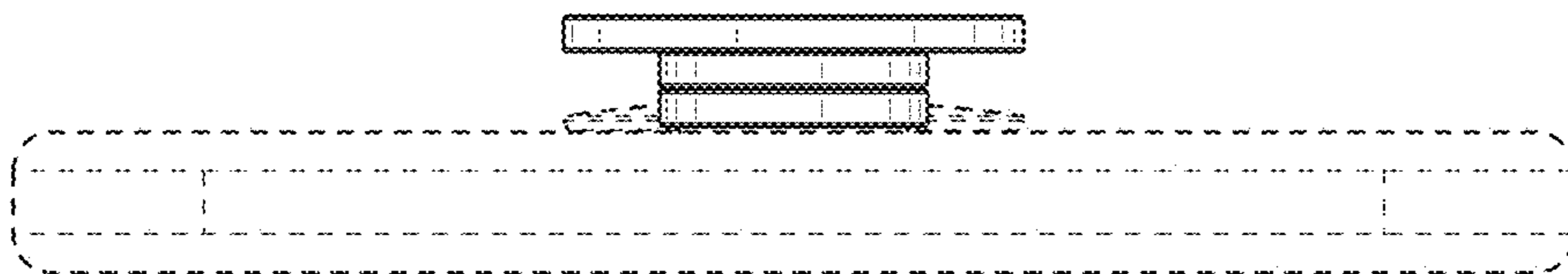


FIG. 7

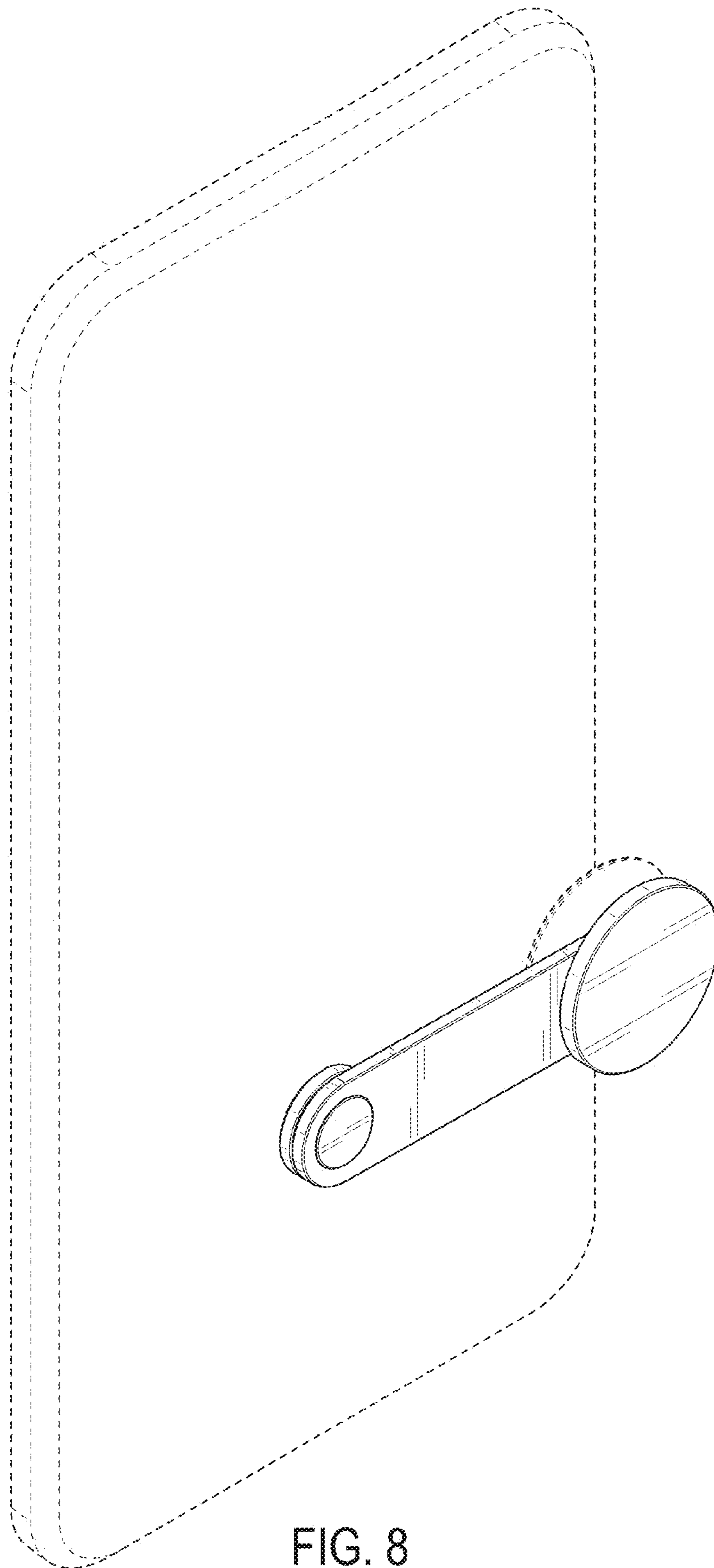


FIG. 8



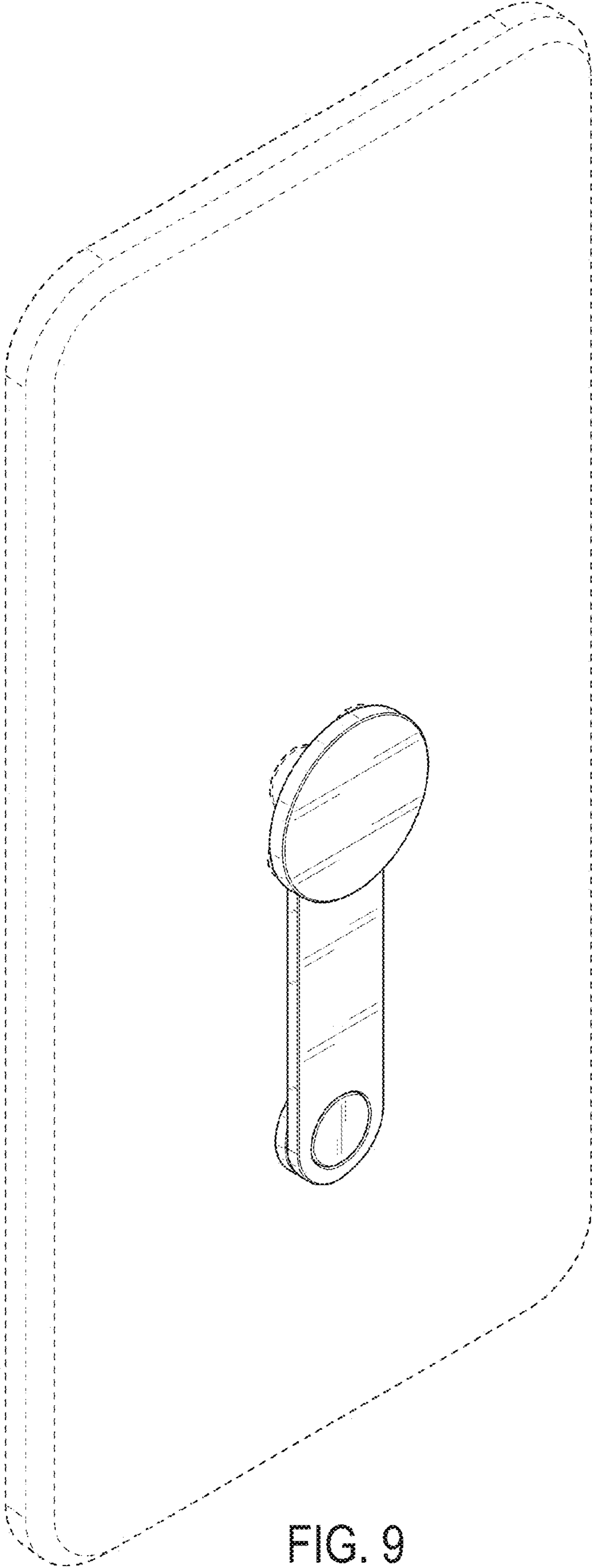


FIG. 9

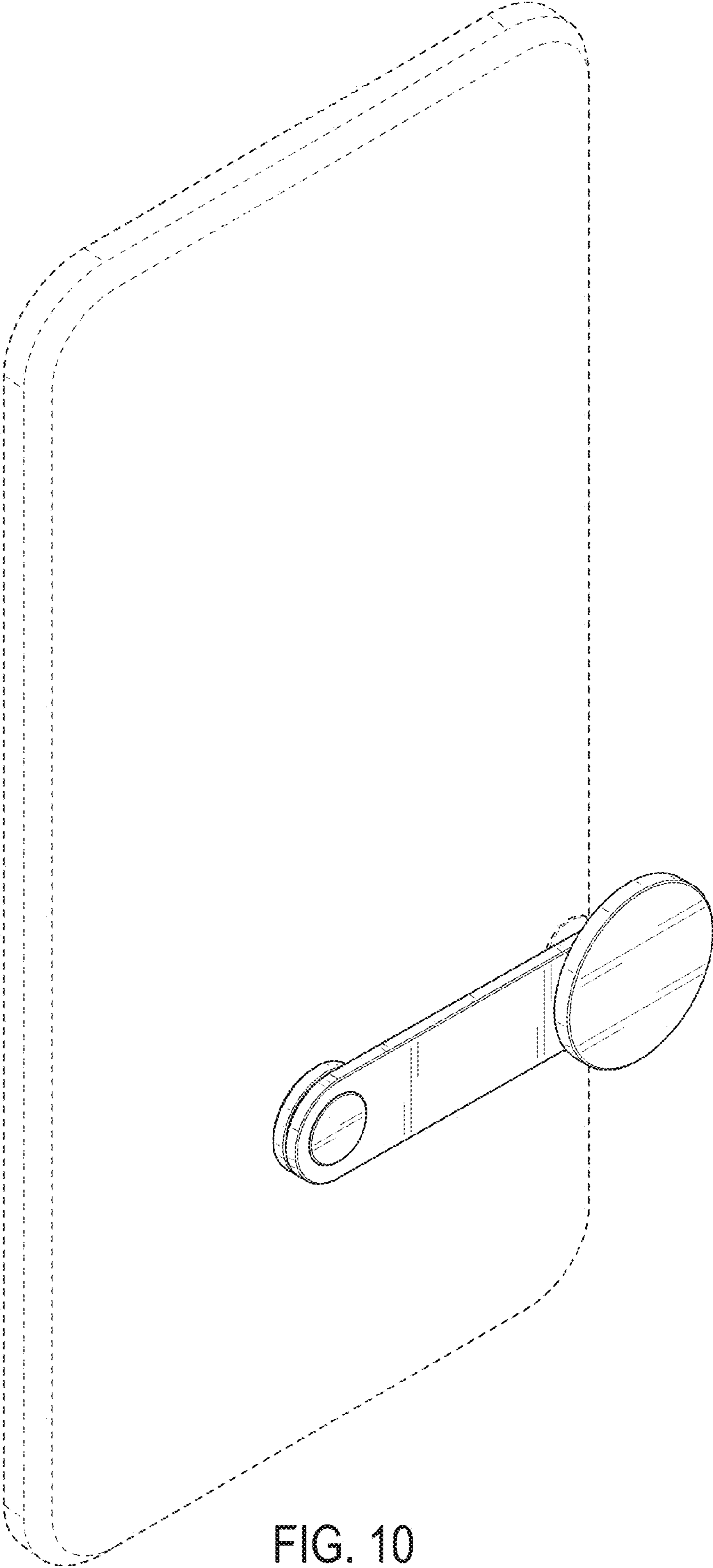


FIG. 10