



US00D915389S

(12) **United States Design Patent**  
**Lin**

(10) **Patent No.:** **US D915,389 S**

(45) **Date of Patent:** **\*\* Apr. 6, 2021**

(54) **CELL PHONE HOLDER**

(71) Applicant: **Chien-Ting Lin**, Santa Fe Springs, CA (US)

(72) Inventor: **Chien-Ting Lin**, Santa Fe Springs, CA (US)

(\*\*) Term: **15 Years**

(21) Appl. No.: **29/665,035**

(22) Filed: **Sep. 28, 2018**

(30) **Foreign Application Priority Data**

Mar. 30, 2018 (CN) ..... 201830130349.6

(51) **LOC (13) Cl.** ..... **14-03**

(52) **U.S. Cl.**  
USPC ..... **D14/253**

(58) **Field of Classification Search**  
USPC ..... D3/201, 212, 218, 226, 227, 247, 249, D3/250, 269, 303; D13/103, 107, 108, D13/119; D14/137, 138 R, 138 AA, D14/138 C, 138 G, 172, 192, D14/203.3-203.7, 217, 238.1, 247, 248, D14/250-253, 434, 440, 447, 496; D7/620; D12/415  
CPC ..... H04B 1/3888; H04M 1/0283; H04M 1/0202; A45C 1/06; A45C 2011/002; A45C 11/00; A45F 2005/028; A45F 2200/0525  
See application file for complete search history.

(56) **References Cited**

**U.S. PATENT DOCUMENTS**

D210,885 S \* 4/1968 Eberhart ..... D13/108  
D315,161 S \* 3/1991 Watanabe ..... D13/108  
D325,471 S \* 4/1992 McCain ..... D3/226  
D327,070 S \* 6/1992 Watanabe ..... D14/138 R  
D360,524 S \* 7/1995 Snyder ..... D3/224

D368,268 S \* 3/1996 Nichols ..... D14/149  
D379,819 S \* 6/1997 Kelley ..... D14/253  
D398,927 S \* 9/1998 Read ..... D14/149  
D520,944 S \* 5/2006 Morita ..... D13/108  
D583,370 S \* 12/2008 Grande ..... D14/253  
D586,348 S \* 2/2009 Leung ..... D12/415  
D676,371 S \* 2/2013 Son ..... D12/415  
D720,759 S \* 1/2015 Deng ..... D14/447  
D765,646 S \* 9/2016 Deng ..... D12/415  
D767,556 S \* 9/2016 Lee ..... D12/415  
D771,614 S \* 11/2016 Chang ..... D14/253  
D771,635 S \* 11/2016 Kuo ..... D14/434  
D785,638 S \* 5/2017 Hsu ..... D14/447  
D798,306 S \* 9/2017 Wengreen ..... D14/447  
D804,487 S \* 12/2017 Theis ..... D14/447  
D805,021 S \* 12/2017 Cunningham ..... D12/415

\* cited by examiner

*Primary Examiner* — L. A. Grabenstetter

(74) *Attorney, Agent, or Firm* — Lin & Associates  
Intellectual Property, Inc.

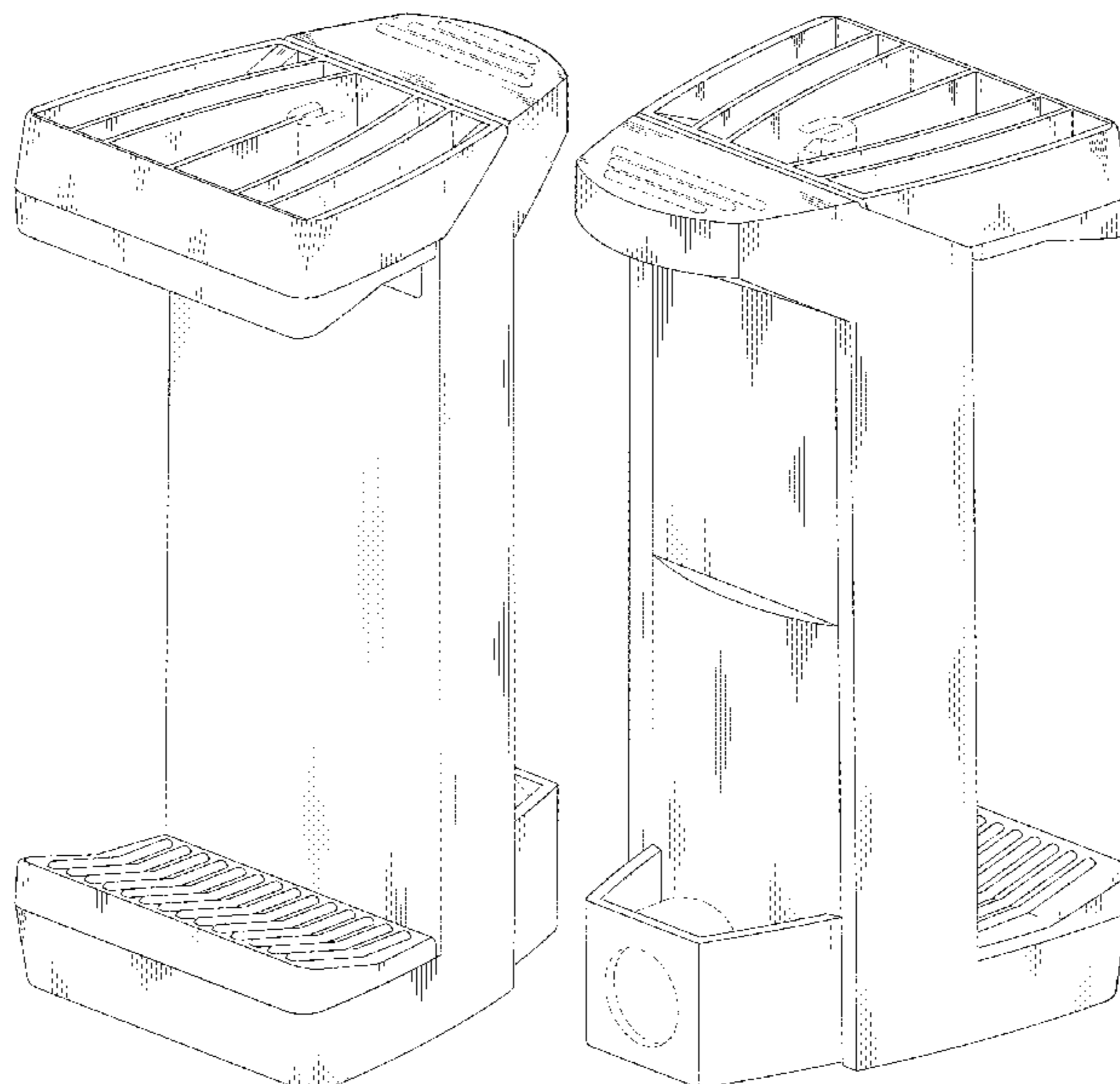
(57) **CLAIM**

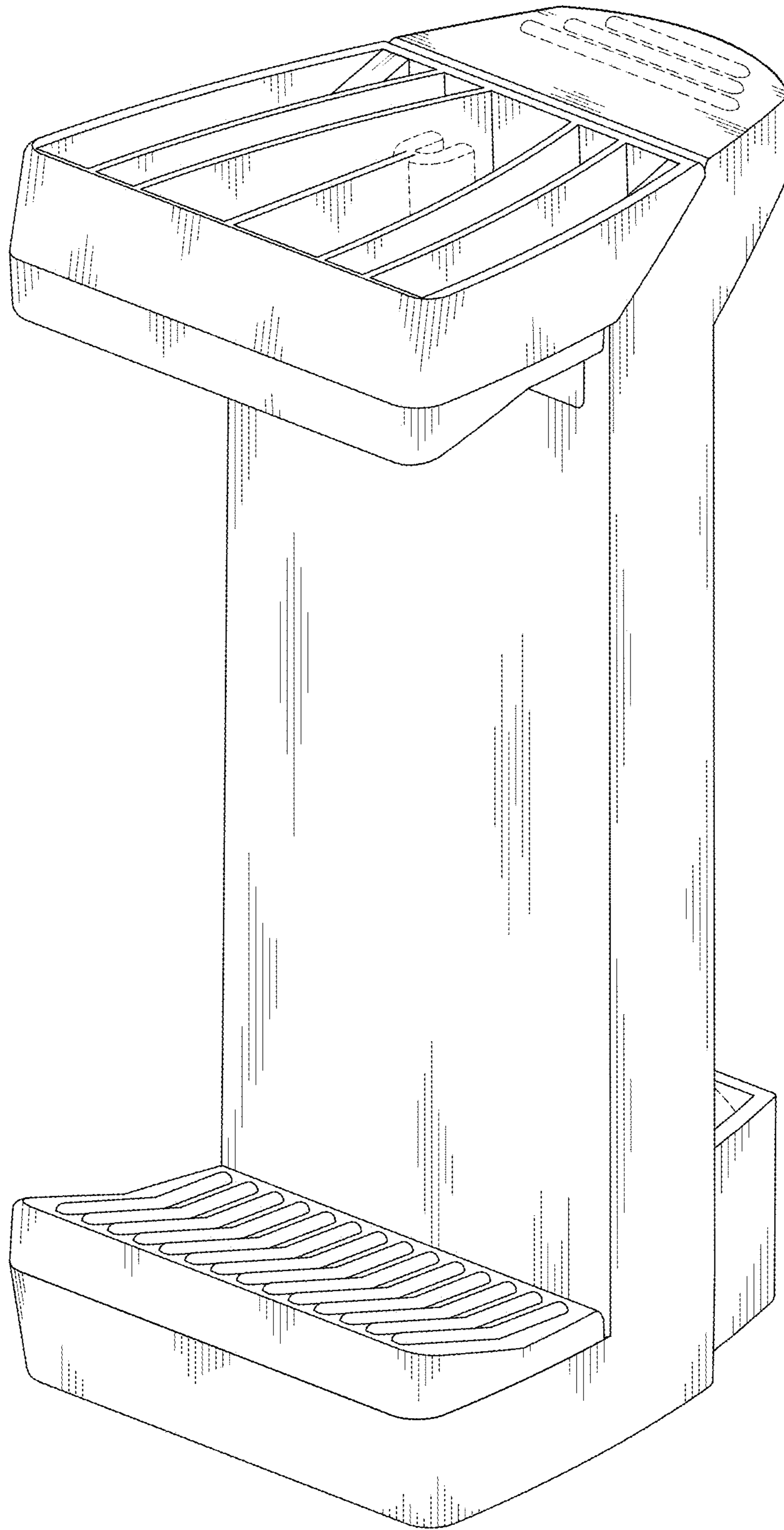
The ornamental design for a cell phone holder, as shown and described.

**DESCRIPTION**

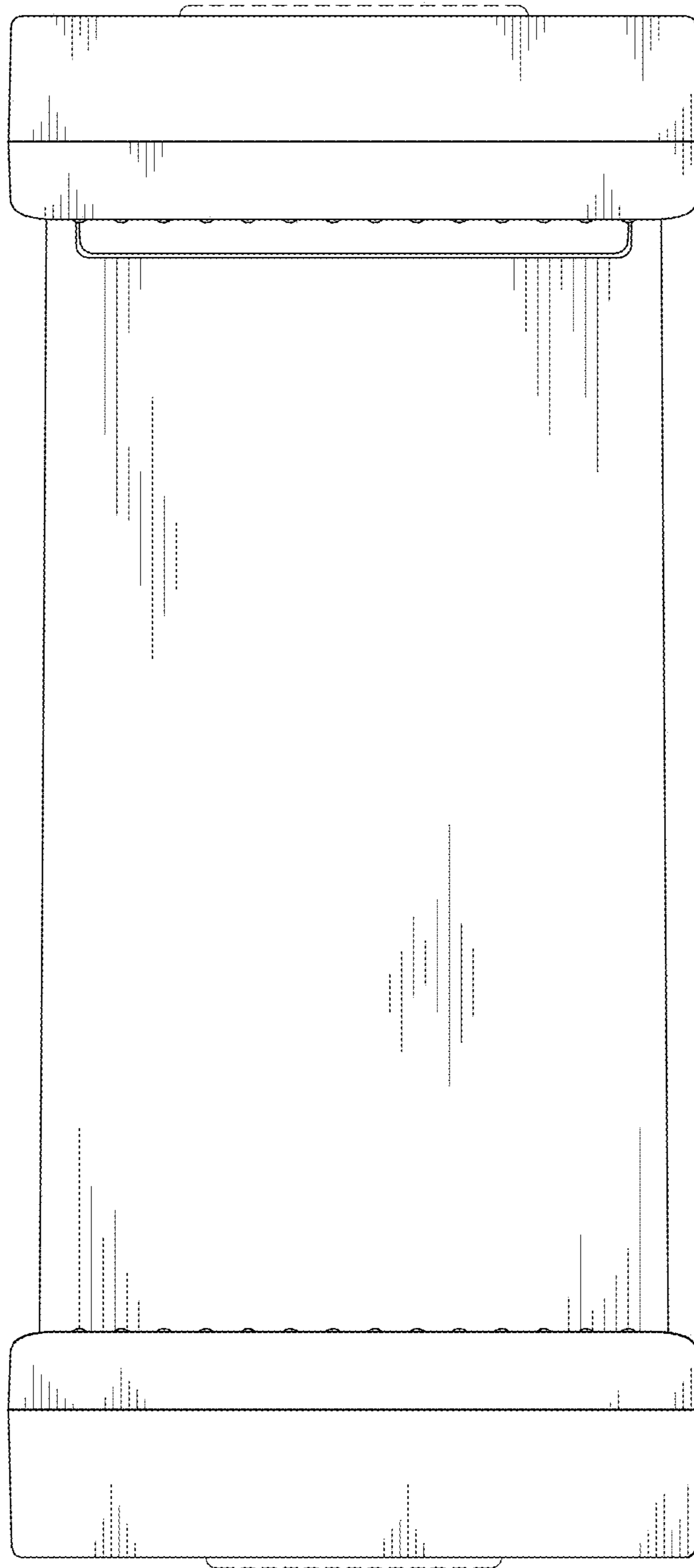
FIG. 1 is a perspective view of a cell phone holder showing my new design;  
FIG. 2 is a front elevational view thereof;  
FIG. 3 is a rear elevational view thereof;  
FIG. 4 is a left elevational view thereof;  
FIG. 5 is a right elevational view thereof;  
FIG. 6 is a top view thereof;  
FIG. 7 is a bottom view thereof; and,  
FIG. 8 is a perspective view of the cell phone holder viewed from another direction.  
The broken lines, and unshaded surfaces surrounded by broken lines, illustrate portions of the cell phone holder that form no part of the claimed design.

**1 Claim, 8 Drawing Sheets**





**FIG. 1**



**FIG. 2**

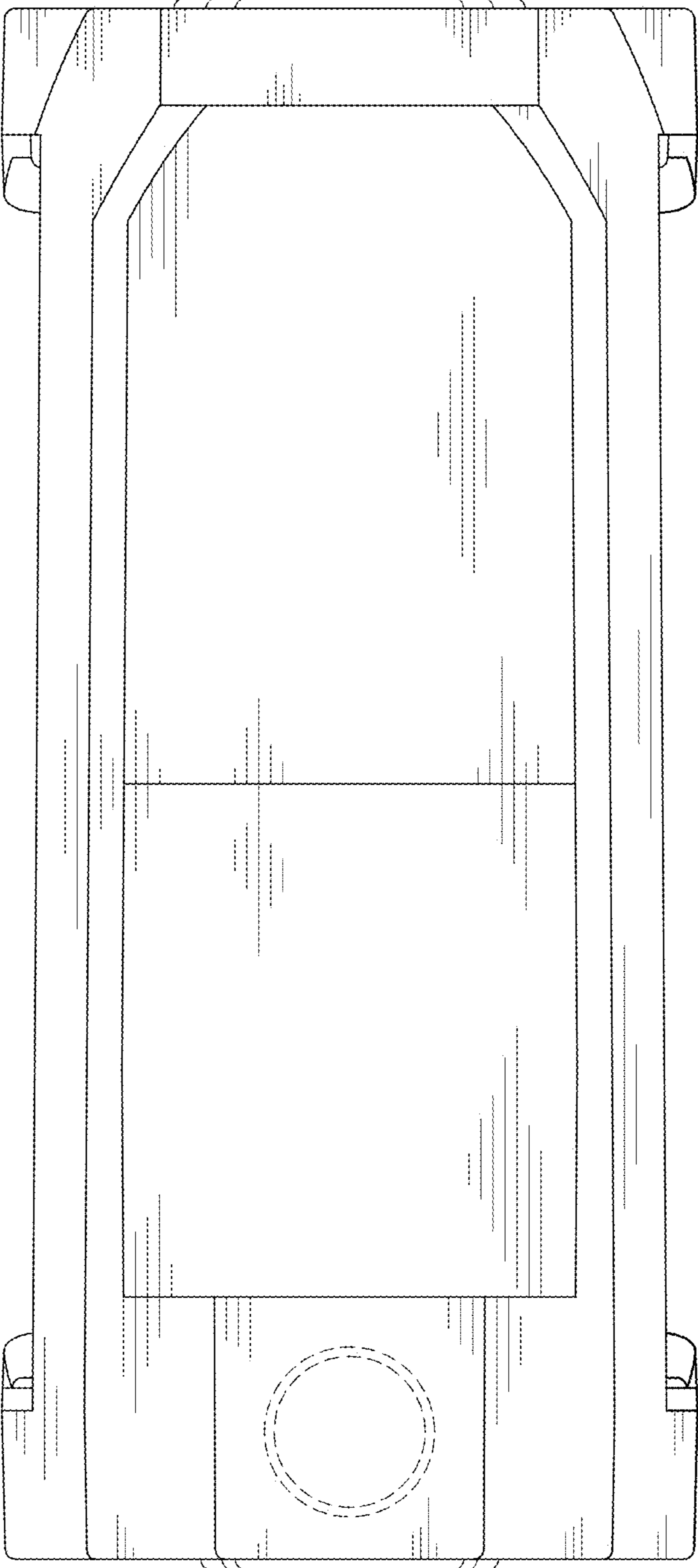
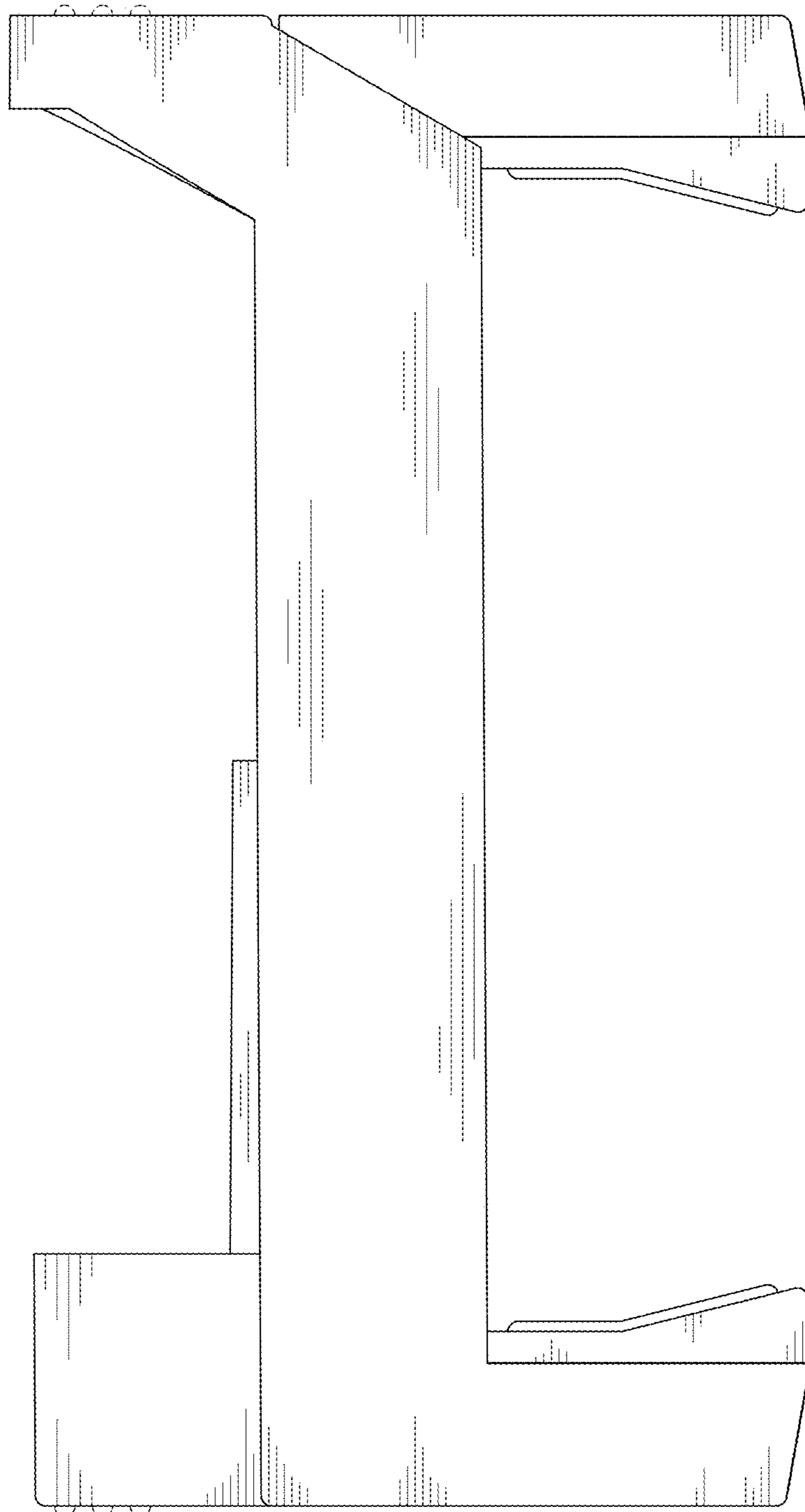
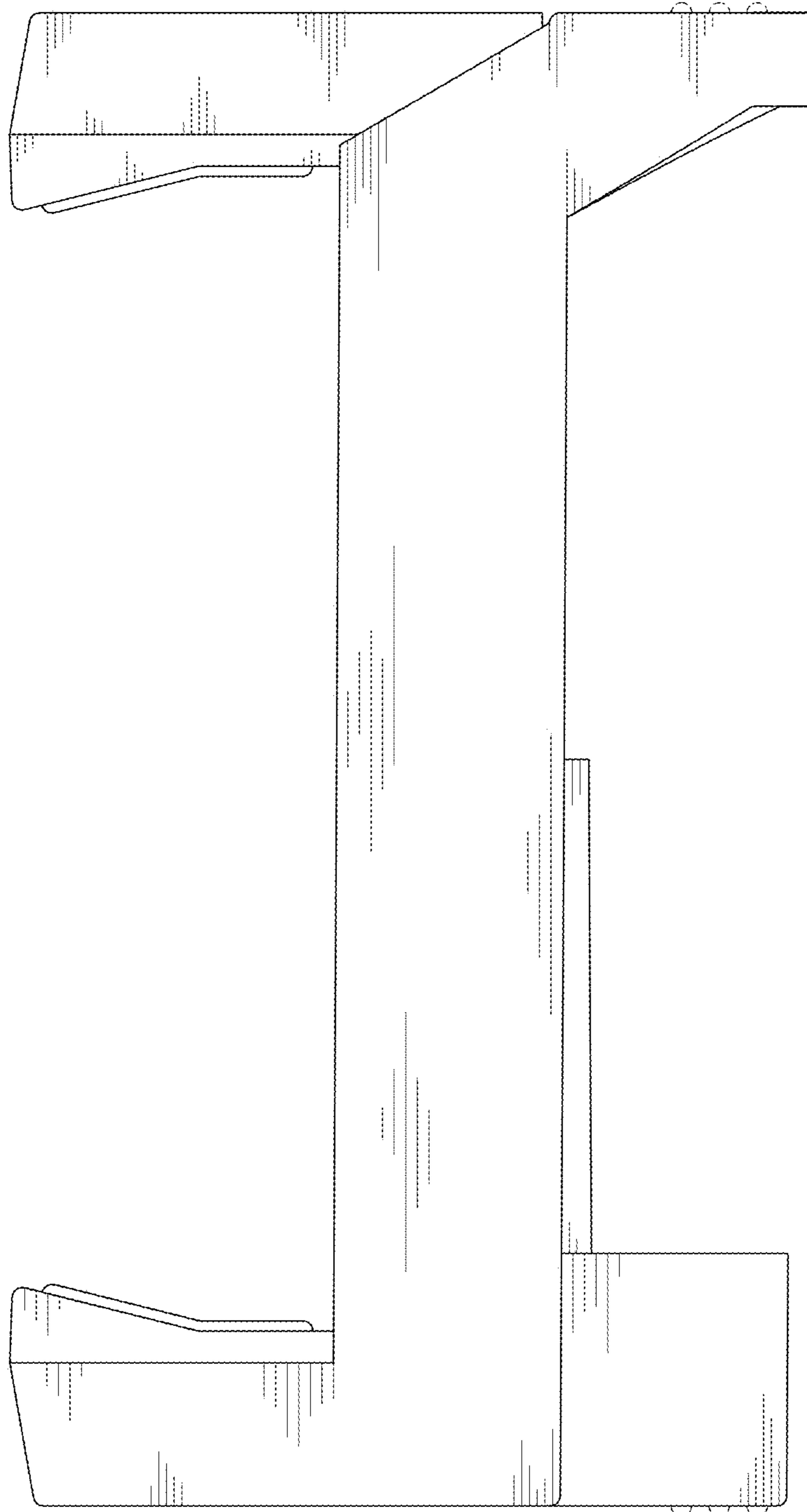


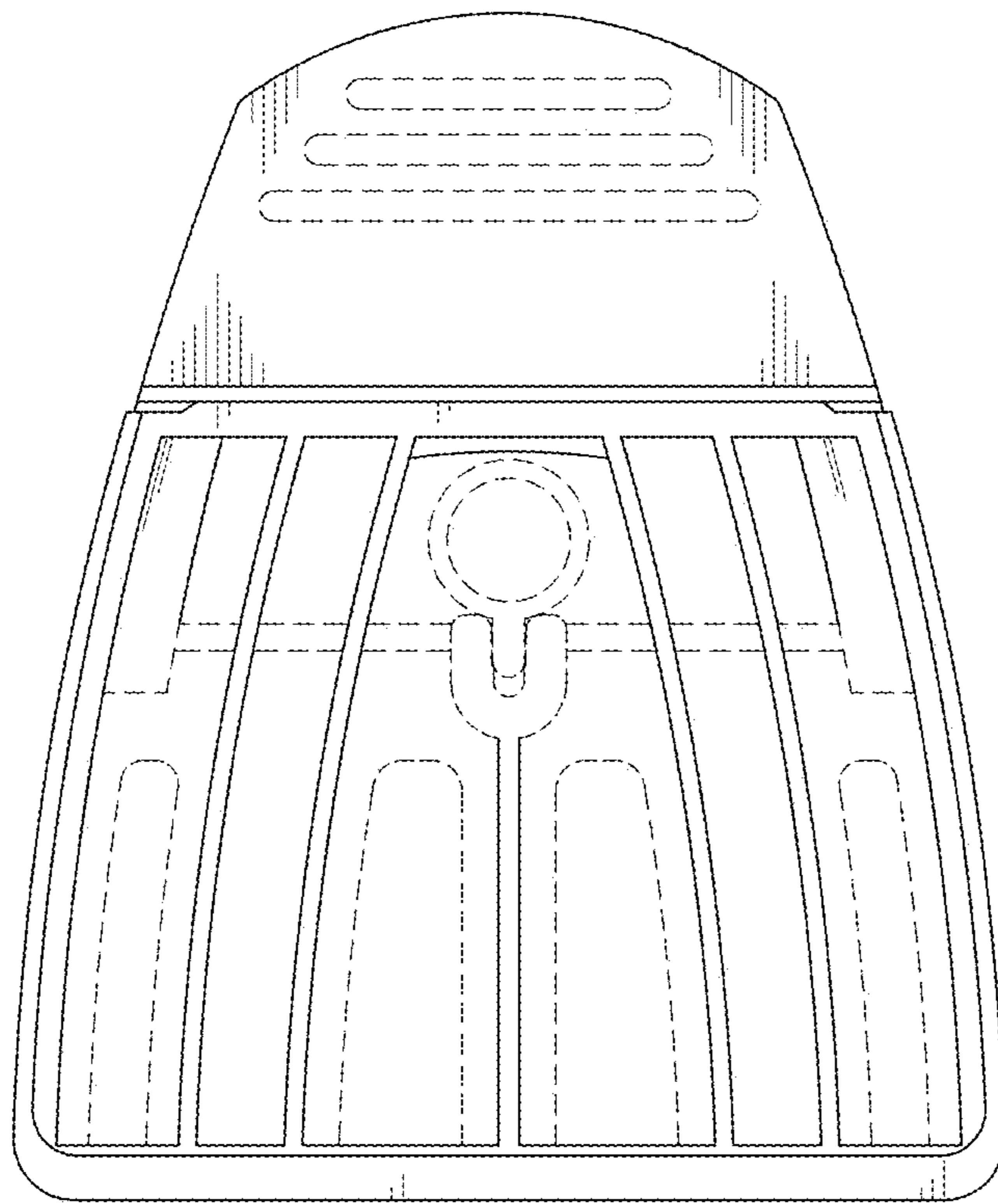
FIG. 3



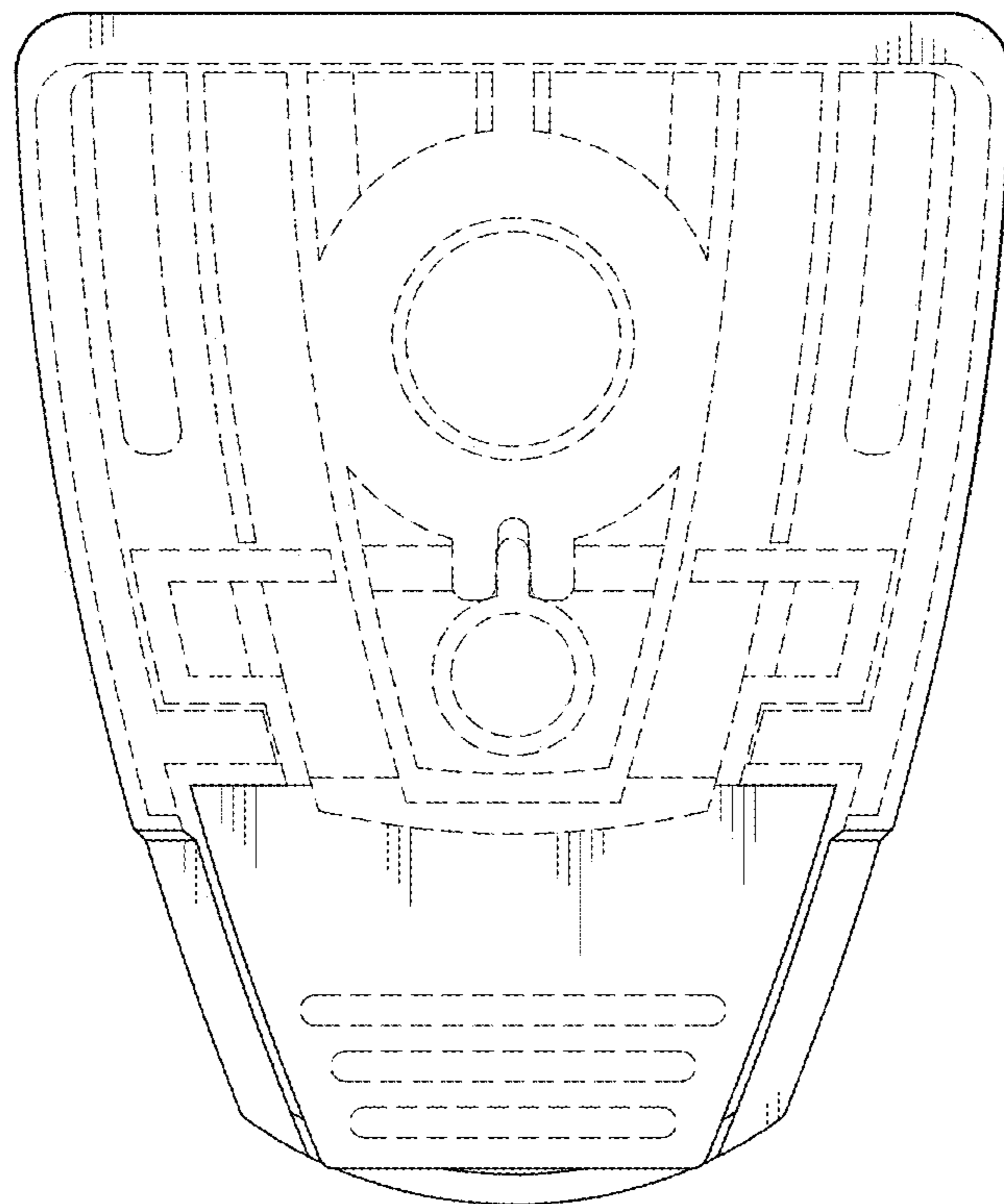
**FIG. 4**



**FIG. 5**



**FIG. 6**



**FIG. 7**



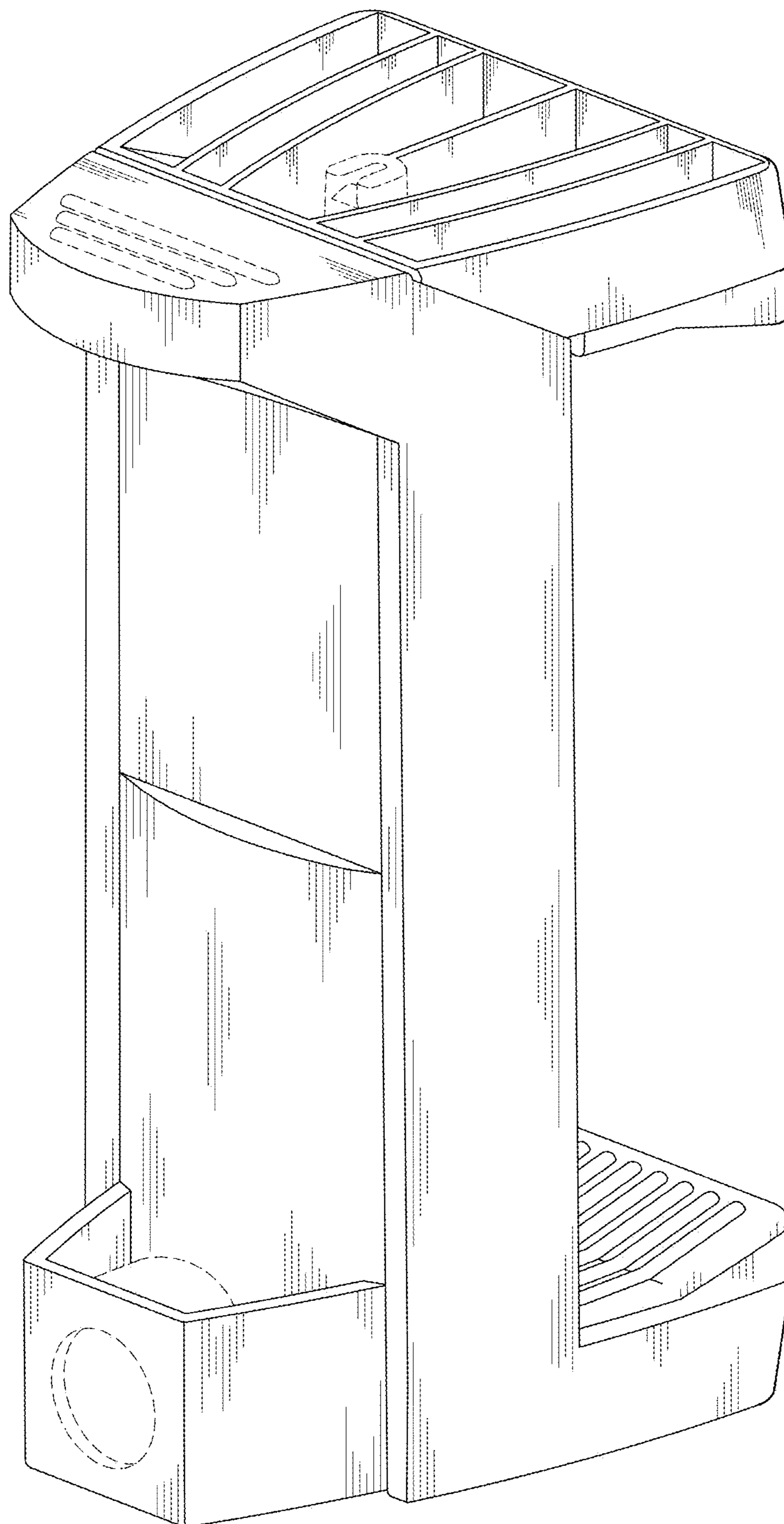


FIG. 8