



US00D915387S

(12) **United States Design Patent** (10) **Patent No.:** **US D915,387 S**
Markey et al. (45) **Date of Patent:** **** Apr. 6, 2021**

(54) **EARBUD HOLDER**
(71) Applicant: **IntaglioTech, LLC**, Ann Arbor, MI (US)
(72) Inventors: **David V. Markey**, Ann Arbor, MI (US); **Chris J. Hazzard**, Grand Rapids, MI (US)
(73) Assignee: **INTAGLIOTECH, LLC**, Ann Arbor, MI (US)
(**) Term: **15 Years**
(21) Appl. No.: **29/675,295**
(22) Filed: **Dec. 31, 2018**
(51) **LOC (13) Cl.** **14-03**
(52) **U.S. Cl.**
USPC **D14/251**; D14/205; D3/218
(58) **Field of Classification Search**
USPC D3/201, 212, 218, 226, 227, 247, 249, D3/250, 269, 303; D13/103, 107, 108, D13/119; D14/137, 138 R, 138 AA, D14/138 C, 138 G, 172, 192, D14/203.3–203.7, 217, 238.1, 247, 248, D14/250–253, 434, 440, 447, 496; D8/356
CPC H04B 1/3888; H04M 1/0283; H04M 1/0202; A45C 1/06; A45C 2011/002; A45C 11/00; A45F 2005/028; A45F 2200/0525
See application file for complete search history.

(56) **References Cited**

U.S. PATENT DOCUMENTS

D620,781 S * 8/2010 Weckworth D8/356
D651,791 S * 1/2012 Cataldo D3/218
8,170,623 B2 5/2012 Dorogusker et al.
D676,022 S * 2/2013 Stevinson D14/205
D676,416 S * 2/2013 Stevinson D14/205

D682,807 S * 5/2013 Stevinson D14/205
8,485,404 B2 7/2013 Monaco et al.
D691,636 S * 10/2013 Bunton D14/496
8,720,683 B2 * 5/2014 Mao A45C 11/00
206/320

(Continued)

FOREIGN PATENT DOCUMENTS

JP 2012100248 A 5/2012

OTHER PUBLICATIONS

The Airbay: iPhone and AirPods Together in One Case, publication date Jun. 18, 2017, [online][site visited May 29, 2020] URL: <https://www.kickstarter.com/projects/kalyxdesigns/the-airbay-iphone-and-airpods-together-in-one-case> (Year: 2017).*

(Continued)

Primary Examiner — L. A. Grabenstetter
(74) *Attorney, Agent, or Firm* — Fishman Stewart PLLC

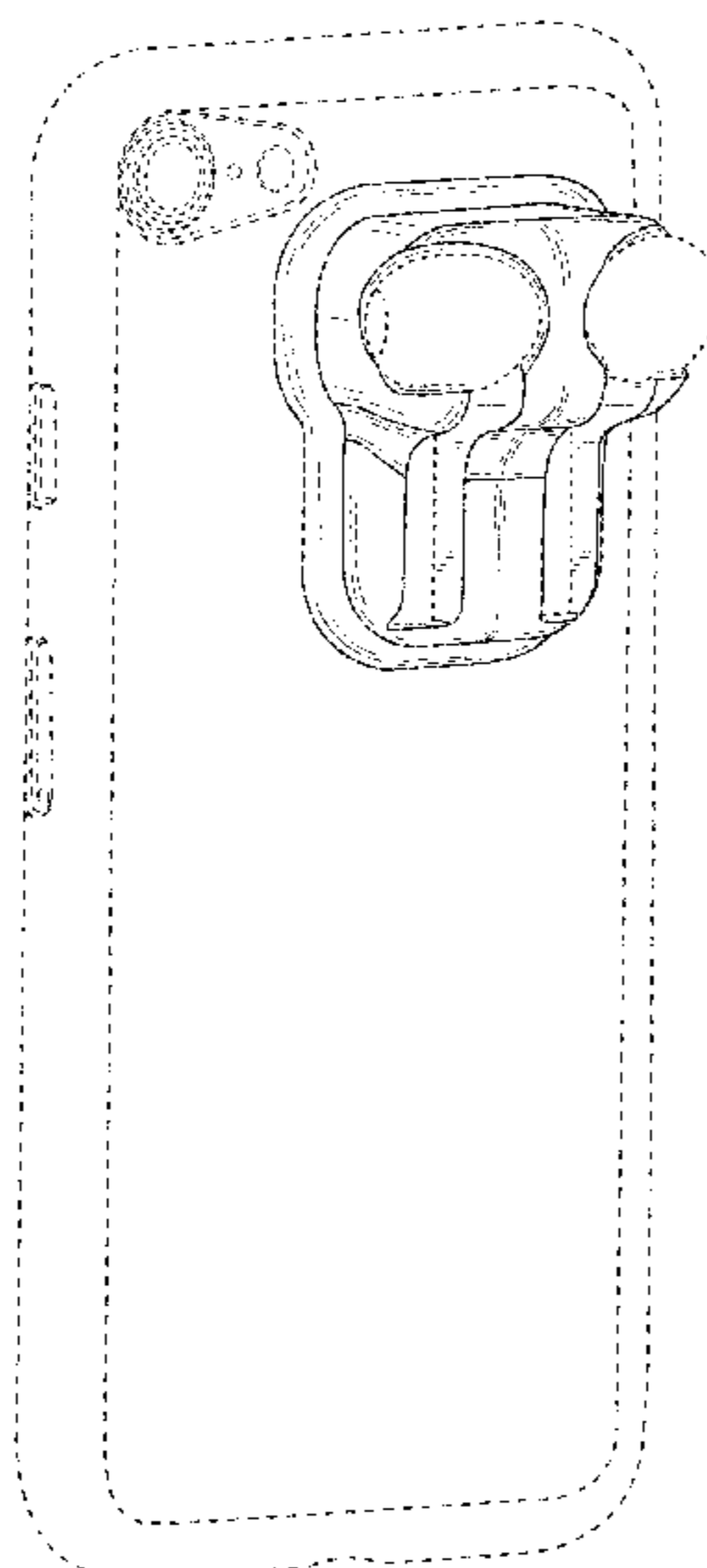
(57) **CLAIM**

The ornamental design for an earbud holder, as shown and described.

DESCRIPTION

FIG. 1 is a front, top, left side perspective view of an earbud holder showing our new design; FIG. 2 is a front elevational view thereof; FIG. 3 is a rear elevational view thereof; FIG. 4 is a right side view thereof; FIG. 5 is a left side view thereof; FIG. 6 is a top plan view thereof; and, FIG. 7 is a bottom plan view thereof. The broken lines depicting portions of the earbud holder represent unclaimed features of the article and form no part of the claimed design. The broken lines depicting a phone and earbuds represent unclaimed environment that forms no part of the claimed design.

1 Claim, 5 Drawing Sheets



(56)

References Cited

U.S. PATENT DOCUMENTS

D706,643	S	6/2014	Akana et al.	
8,891,800	B1	11/2014	Shaffer	
D720,330	S *	12/2014	Stevinson	D14/205
D720,718	S *	1/2015	Stevinson	D14/205
D726,701	S	4/2015	Stevinson	
D732,011	S *	6/2015	Stevinson	D14/250
9,071,902	B1 *	6/2015	Ai	H04R 1/1033
9,148,717	B2	9/2015	Shaffer	
D744,470	S *	12/2015	Stevinson	D14/250
D757,522	S *	5/2016	Kim	D8/356
9,769,558	B2	9/2017	Chandramohan et al.	
D806,388	S	1/2018	Akana et al.	
2009/0036175	A1 *	2/2009	Brandenburg	A45F 5/02 455/575.1
2011/0170732	A1 *	7/2011	Parker	H04R 1/1033 381/384
2011/0317865	A1 *	12/2011	Stevinson	H04R 1/1033 381/384
2013/0148839	A1	6/2013	Stevinson	
2013/0237290	A1	9/2013	Simmons, Jr. et al.	
2014/0079237	A1 *	3/2014	Cataldo	H04R 1/1033 381/74
2014/0105441	A1 *	4/2014	Kroupa	H02G 11/02 381/370
2014/0161301	A1 *	6/2014	Merenda	G06F 1/105 381/384
2015/0157116	A1	6/2015	Williams	
2015/0365756	A1 *	12/2015	Merenda	A45C 15/00 381/375
2018/0014436	A1	1/2018	Milevski	
2018/0284841	A1 *	10/2018	Lee	H04M 1/04

OTHER PUBLICATIONS

This iPhone & AirPods Charger Lets You Power up both Devices at once, publication date Jun. 18, 2019, [online][site visited May 28, 2020] URL: <https://www.bustle.com/p/this-iphone-airpod-charger-lets-you-power-up-both-devices-at-once-18013031> (Year: 2019).*

Ebony webpage for TurtleCell Retractable Headphone Case for iPhone 6 available prior to Dec. 31, 2018 <https://www.ebay.com/p/TurtleCell-Retractable-Headphone-Case-for-iPhone-6-Retail/3014972716?id=222828852222&chn=ps>.

Kickstarter webpage for PodCase—Battery Case for Your iPhone and AirPods available prior to Dec. 31, 2018 <https://www.kickstarter.com/projects/581404323/podcase-battery-case-for-your-iphone-and-airpods?ref=341581&token=6870e46b>.

Amazon webpage for AirPods Holder Watch Strap Portable Anti-Lost Silicone Carrying Case for Apple AirPods (Black) available prior to Dec. 31, 2018 <https://www.amazon.com/AirPods-Portable-Anti-Lost-Silicone-Carrying/dp/B07CL76N38>.

Amazon webpage for UOSOSO AirPods Holder, Silicone Strap case Sport Holder for AirPods (Airpods Holder-Black) available prior to Dec. 31, 2018 <https://www.amazon.com/UOSOSO-AirPods-Silicone-Airpods-Holder-Black/dp/B078WNVVMZ>.

Webpage for Airpod Charging iPhone Case available prior to Dec. 31, 2018 <https://forums.imore.com/airpods/394853-airpod-charging-iphone-case.html>.

Alibaba.com webpage for Funny Design Cute Bull Silicon Case with Earphone Holder for iPhone 5 available prior to Dec. 31, 2018 https://www.alibaba.com/product-detail/Funny-design-cute-bull-silicon-case_60010456781.html.

<https://www.trendhunter.com/trends/case-protector>, dated May 10, 2017.

* cited by examiner

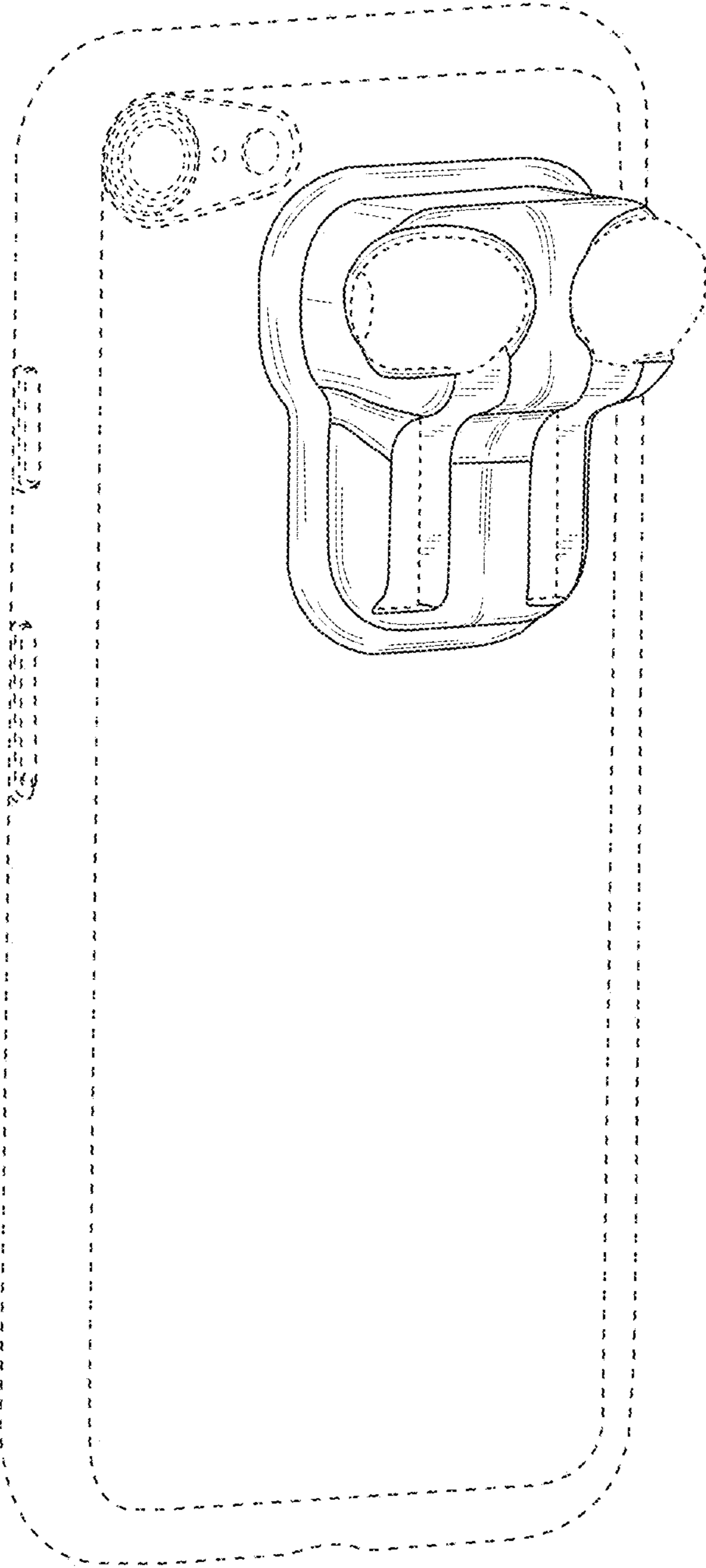


FIG. 1

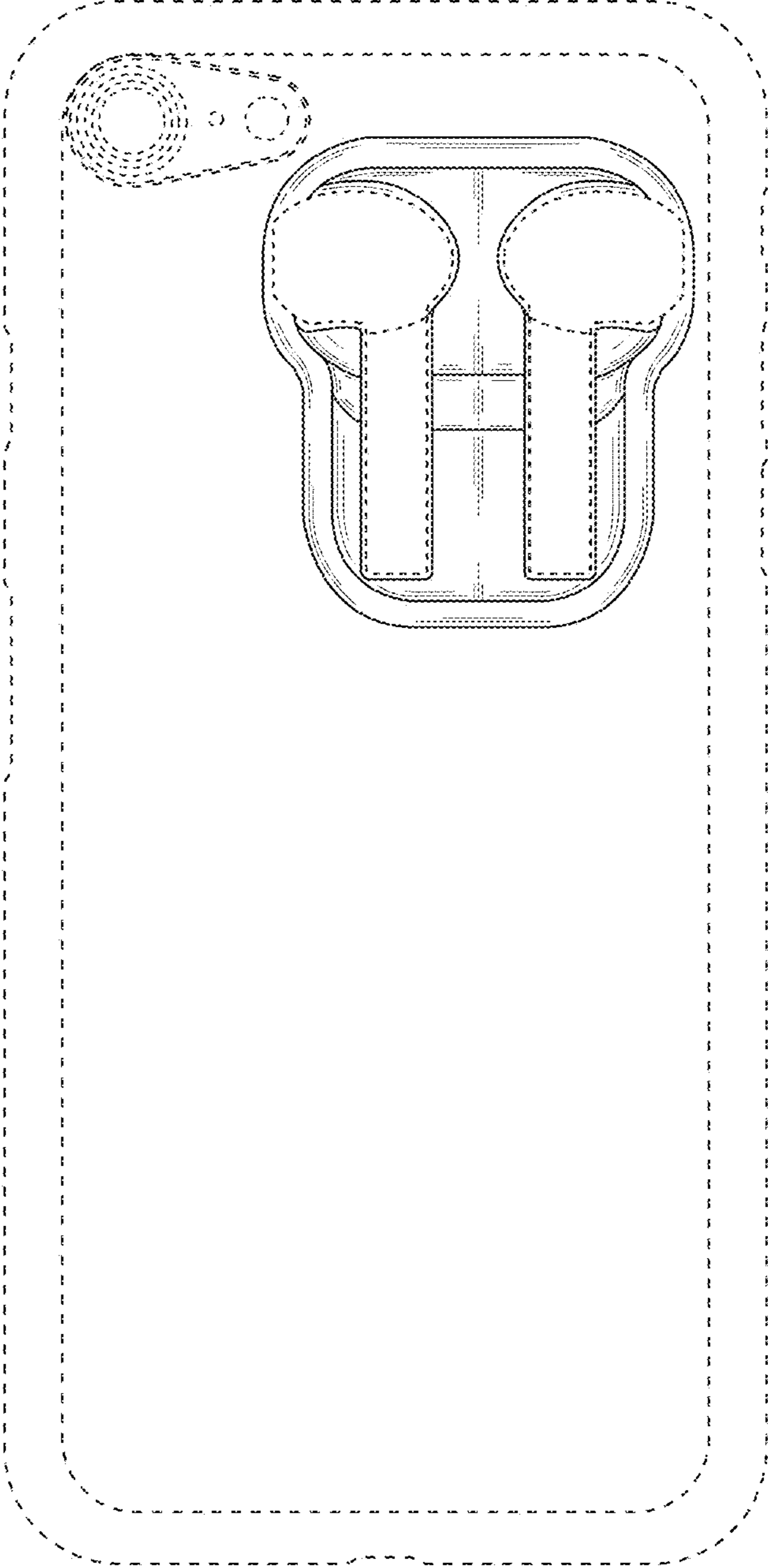


FIG. 2

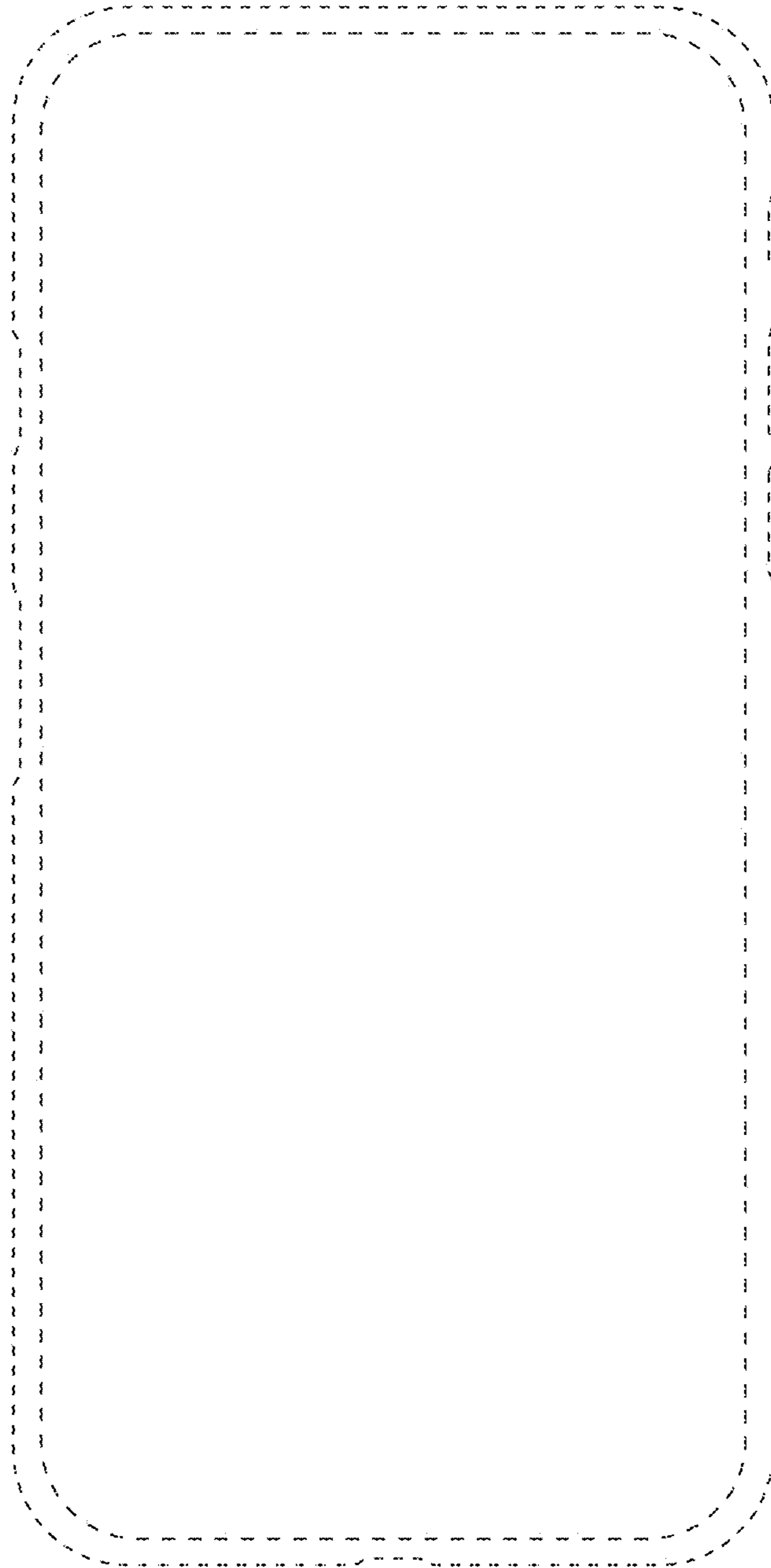


FIG. 3

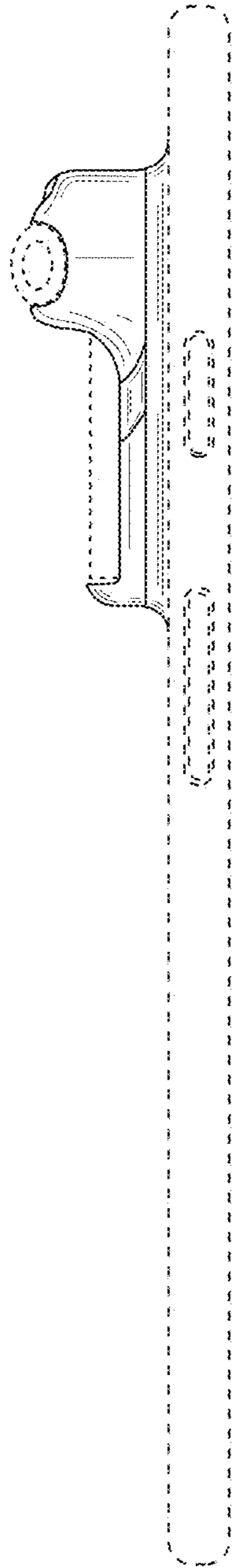


FIG. 4

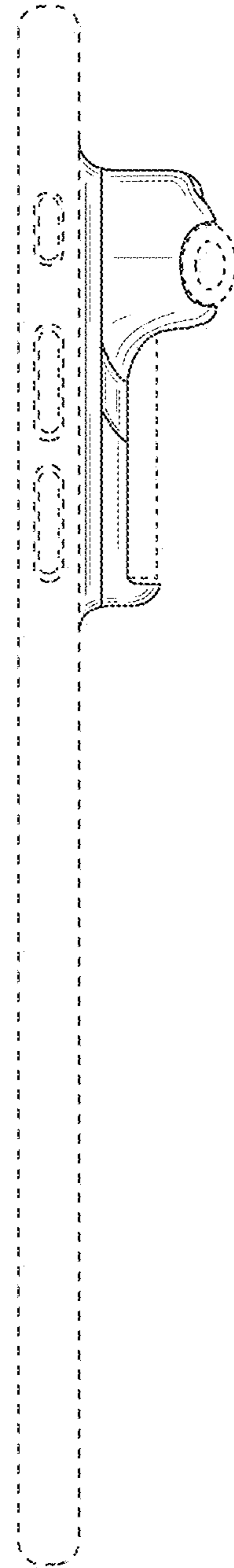


FIG. 5

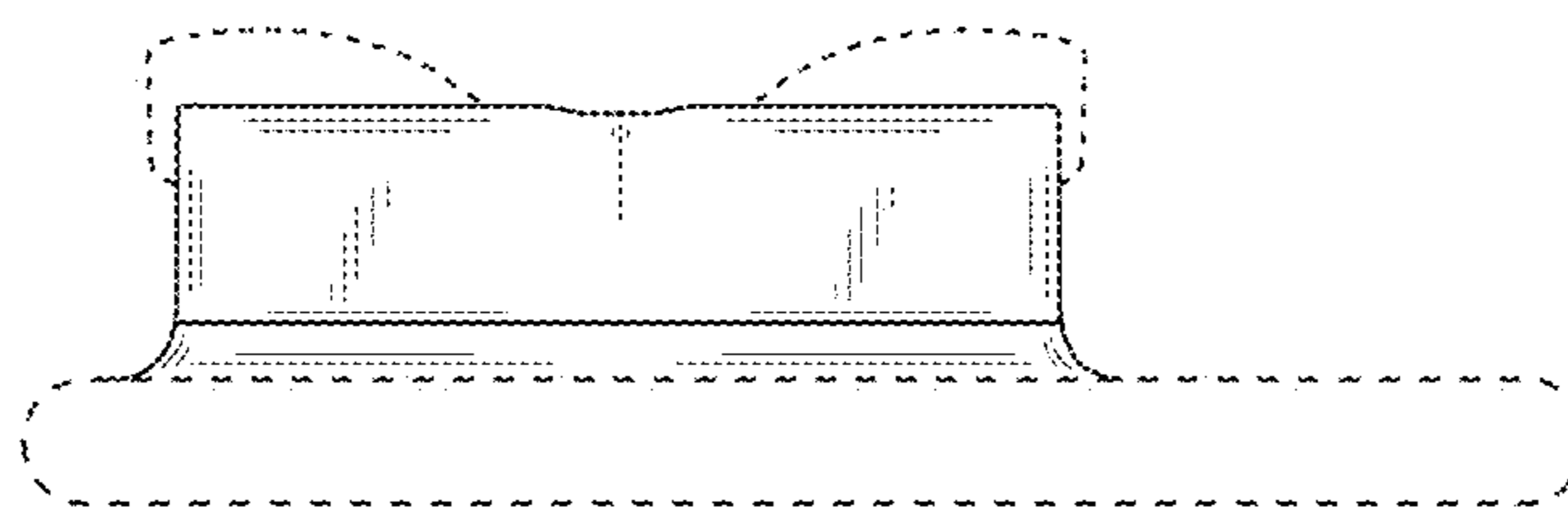


FIG. 6

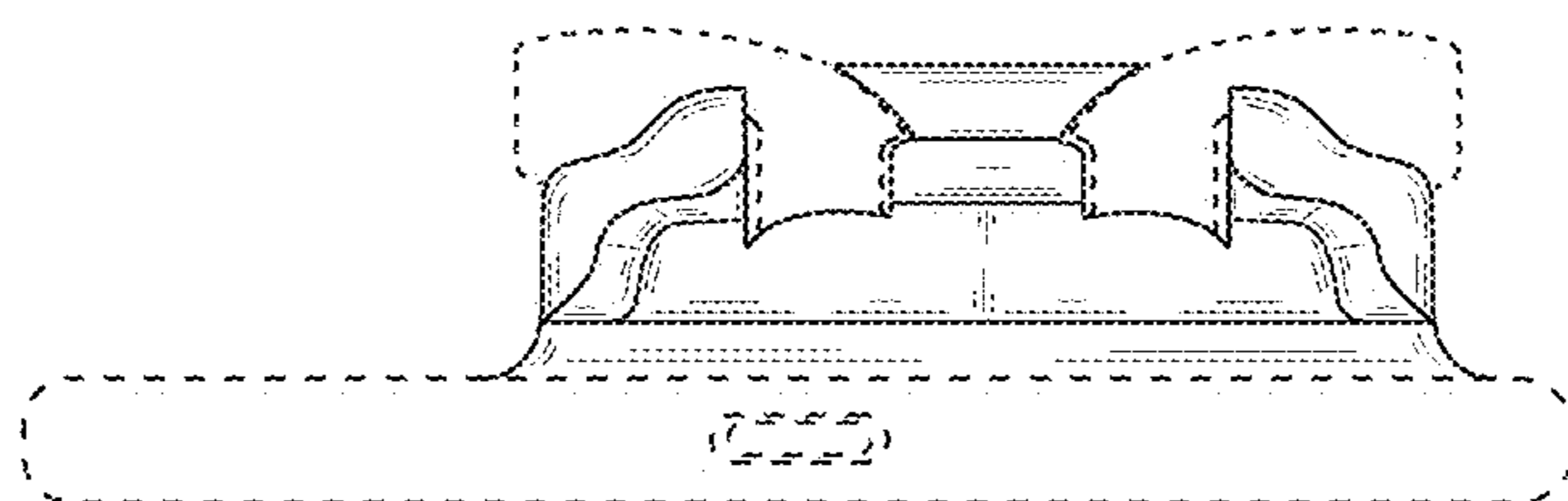


FIG. 7