



US00D915378S

(12) **United States Design Patent** (10) **Patent No.:** **US D915,378 S**
Kim (45) **Date of Patent:** **** Apr. 6, 2021**

(54) **CASE FOR ELECTRONIC COMMUNICATIONS DEVICE**

(71) Applicant: **SPIGEN KOREA CO., LTD.**, Seoul (KR)

(72) Inventor: **Tae Heon Kim**, Seoul (KR)

(73) Assignee: **SPIGEN KOREA CO., LTD.**, Seoul (KR)

(**) Term: **15 Years**

(21) Appl. No.: **29/700,605**

(22) Filed: **Aug. 2, 2019**

(51) **LOC (13) Cl.** **14-03**

(52) **U.S. Cl.**
USPC **D14/250**

(58) **Field of Classification Search**

USPC D3/201, 218, 226, 227, 247, 249, 250, D3/269, 303; D13/103, 107, 108, 119; D14/138 R, 138 AA, 138 C, 138 G, 172, D14/192, 203.3–203.7, 217, 238.1, 247, D14/248, 250–253, 434, 440, 447, 496; D25/139, 140, 141, 143
CPC H04B 1/3888; H04M 1/0283; H04M 1/0202; A45C 1/06; A45C 2011/002; A45C 11/00; A45F 2005/028; A45F 2200/0525

See application file for complete search history.

(56) **References Cited**

U.S. PATENT DOCUMENTS

D267,828 S *	2/1983	Cohen	D5/53
D316,905 S *	5/1991	Michaelsen	D25/138
D392,754 S *	3/1998	Arenstam	D25/138
D410,868 S *	6/1999	Hall, Jr.	D12/106
D487,521 S *	3/2004	Link	D25/138
D490,419 S *	5/2004	Shiue	D14/341
D491,285 S *	6/2004	Mock	D25/138

(Continued)

OTHER PUBLICATIONS

“Spigen Ultra Hybrid Galaxy Note 4 Case with Air Cushion Technology and Hybrid Drop Protection for Samsung Galaxy Note 4 2014—Gunmetal”, <https://www.amazon.com/dp/B00MAWPXVW>, Earliest review date of Oct. 15, 2014, Downloaded on Aug. 8, 2018.

(Continued)

Primary Examiner — L. A. Grabenstetter

(74) *Attorney, Agent, or Firm* — Heedong Chae; Lucem, PC

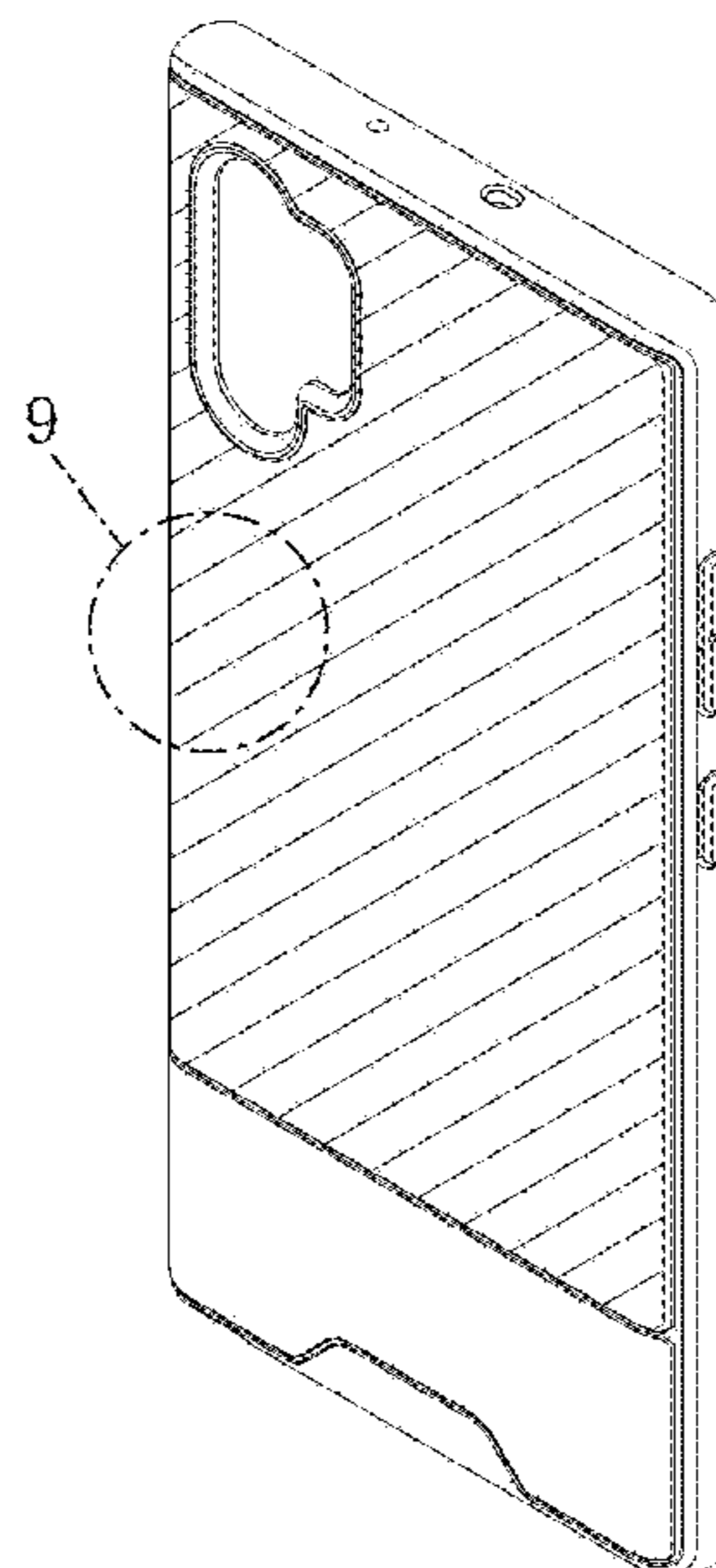
(57) **CLAIM**

The ornamental design for a case for electronic communications device, as shown and described.

DESCRIPTION

FIG. 1 is a front perspective view of a case for electronic communications device showing my new design; FIG. 2 is a rear perspective view thereof; FIG. 3 is a front elevational view thereof; FIG. 4 is a rear elevational view thereof; FIG. 5 is a left side elevational view thereof; FIG. 6 is a right side elevational view thereof; FIG. 7 is a top plan view thereof; FIG. 8 is a bottom plan view thereof; FIG. 9 is an enlarged detail view of the encircled region from FIG. 2; FIG. 10 is an enlarged detail view of the encircled region from FIG. 4; and, FIG. 11 is a cross-sectional view of the case for electronic communications device taken along the line 11-11 of FIG. 4. The dash-dot broken line circle in FIGS. 2 and 4 delineates a portion of the case for electronic communications device that is part of the claimed design and that is shown on an enlarged scale respectively in FIG. 9 and FIG. 10.

1 Claim, 11 Drawing Sheets



(56)

References Cited

OTHER PUBLICATIONS

U.S. PATENT DOCUMENTS

D574,971 S	*	8/2008	Mock	D25/138
D597,067 S		7/2009	Oh et al.	
D606,305 S	*	12/2009	Lee	D3/269
D623,180 S		9/2010	Diebel	
D623,640 S		9/2010	Freeman	
D624,065 S	*	9/2010	Bosch	D14/250
D626,121 S		10/2010	Richardson et al.	
D626,538 S		11/2010	Brown et al.	
D626,539 S		11/2010	Brown et al.	
D626,540 S		11/2010	Brown et al.	
D636,755 S		4/2011	Chen	
D637,589 S		5/2011	Willes et al.	
D641,756 S	*	7/2011	Hsieh	D14/440
D642,169 S		7/2011	Andre et al.	
D644,218 S		8/2011	Akana et al.	
D646,265 S		10/2011	Fathollahi	
D647,084 S		10/2011	Fathollahi	
D650,776 S	*	12/2011	Bau	D14/250
D654,068 S		2/2012	Monaco et al.	
D654,491 S		2/2012	Melanson et al.	
D655,287 S		3/2012	de Jong et al.	
D655,699 S	*	3/2012	Bau	D14/250
D662,923 S		7/2012	Piedra et al.	
D666,824 S	*	9/2012	Phillips	D3/303
D669,458 S		10/2012	Wilson et al.	
D672,739 S		12/2012	Sin	
D673,550 S		1/2013	Magness et al.	
D678,259 S	*	3/2013	Moore	D14/250
D678,327 S	*	3/2013	Lee	D14/203.3
D681,616 S		5/2013	Weller et al.	
D683,340 S	*	5/2013	Chang	D14/250
8,457,701 B2		6/2013	Diebel	
D685,356 S		7/2013	Diebel	
D691,601 S	*	10/2013	Murchison	D14/250
D696,239 S		12/2013	Murchison et al.	
D703,197 S		4/2014	Melanson et al.	
D707,215 S	*	6/2014	Weller	D14/250
D712,892 S		9/2014	Hong et al.	
D716,783 S		11/2014	Loncar et al.	
D718,754 S		12/2014	To et al.	
D718,755 S		12/2014	To et al.	
D719,559 S		12/2014	Dukerschein et al.	
D720,733 S		1/2015	Fathollahi	
D721,360 S		1/2015	Laffon de Mazieres et al.	
D722,310 S		2/2015	Diebel	
D722,311 S		2/2015	Diebel	
9,004,275 B2		4/2015	Lee	
D734,760 S		7/2015	Brunner et al.	
D737,262 S		8/2015	Jia et al.	
D740,798 S		10/2015	Poon et al.	
D743,388 S		11/2015	Fitzpatrick et al.	
D754,668 S		4/2016	Manabe et al.	
D763,854 S		8/2016	Domke et al.	
D765,643 S		9/2016	Witter et al.	
D765,645 S		9/2016	Kim	
D770,433 S		11/2016	Kangasmaa et al.	
D776,647 S		1/2017	Kim	
D791,754 S		1/2017	Armstrong et al.	
D779,470 S		2/2017	Kim et al.	
D781,838 S	*	3/2017	Kim	D14/250
D791,755 S		7/2017	Kim	
D792,877 S		7/2017	Kim et al.	
D792,878 S		7/2017	Kim et al.	
D801,323 S		10/2017	Kim	
D806,015 S		12/2017	Park et al.	
D819,621 S		6/2018	Diebel	
D821,382 S		6/2018	Livingston	
D837,796 S		1/2019	Kim et al.	
D840,992 S		2/2019	Kim	
D841,013 S		2/2019	Ferren et al.	
D843,365 S		3/2019	Kim	
D843,993 S		3/2019	Jeong et al.	
D843,994 S		3/2019	Jeong et al.	
D851,638 S	*	6/2019	Kim	D14/250
D857,682 S	*	8/2019	Wang	D14/250

“Spigen Ultra Hybrid Galaxy Note 4 Case with Air Cushion Technology and Hybrid Drop Protection for Samsung Galaxy Note 4 2014—Crystal Clear”, <https://www.amazon.com/dp/B00MAWPVXM>, Earliest review date of Oct. 17, 2014, Downloaded on Aug. 8, 2018.

“Spigen Ultra Hybrid Galaxy S6 Case with Air Cushion Technology and Hybrid Drop Protection for Galaxy S6 2015 crystal Clear”, <https://www.amazon.com/dp/B00QU4PN84>, Earliest review date of Feb. 6, 2015, Downloaded on Aug. 8, 2018.

“Spigen Ultra Hybrid Galaxy S6 Edge Case with Air Cushion Technology and Hybrid Drop Protection for Galaxy S6 Edge 2015—Metal Slate”, <https://www.amazon.com/dp/B00SV63NNG>, Earliest review date of Mar. 30, 2015, Downloaded on Aug. 8, 2018.

“Caseology Wavelength for Galaxy S6 Case (2015)—Stylish Grip Design—Navy Blue”, <https://www.amazon.com/dp/B00TECWTK>, Earliest review date of Apr. 11, 2015, Downloaded on Oct. 17, 2019.

“Skylink Man—Case for Samsung Galaxy S5 Flexible Hardshell Kate Spade New York Case—Diagonal Stripe”, <https://www.amazon.com/dp/B00USDONRK>, Earliest review date of May 17, 2015, Downloaded on Jun. 4, 2020.

“Caseology Wavelength Series Textured Pattern Grip Cover Case for Samsung Galaxy S6 Edge—Standard Packaging—Navy Blue”, <https://www.amazon.com/dp/B00W65W442>, Earliest review date of Jun. 2, 2015, Downloaded on Oct. 17, 2019.

“Spigen Ultra Hybrid Galaxy S6 Edge Plus Case with Air Cushion Technology and Hybrid Drop Protection for Galaxy S6 Edge Plus 2015—Mint”, <https://www.amazon.com/dp/B010MWFRFI>, Earliest review date of Aug. 18, 2015, Downloaded on Aug. 8, 2018.

“Caseology Wavelength for Apple iPhone 6S Plus Case (2015) / for iPhone 6 Plus Case (2014)—Navy Blue”, <https://www.amazon.com/dp/B01GUKEALS>, Earliest review date of Sep. 10, 2015, Downloaded on Oct. 17, 2019.

“Caseology Wavelength for Apple iPhone 6S Case (2015) / for iPhone 6 Case (2014)—Navy Blue”, <https://www.amazon.com/dp/B013VPPJEM>, Earliest review date of Sep. 12, 2015, Downloaded on Oct. 17, 2019.

“Caseology Wavelength for Samsung Galaxy Note 5 Case (2017)—Navy Blue”, <https://www.amazon.com/dp/B011A01D1Y>, Earliest review date of Sep. 14, 2015, Downloaded on Oct. 17, 2019.

“Caseology Wavelength Series Textured Pattern Grip Cover for iPhone 6S Plus and iPhone 6 Plus—Coral Pink”, <https://www.amazon.com/dp/B013W2CABE>, Earliest review date of Sep. 20, 2015, Downloaded on Oct. 17, 2019.

“Caseology Wavelength for Lg G5 Case (2016)—Stylish Grip Design—Navy Blue”, <https://www.amazon.com/dp/B01BEH1QSW>, Earliest review date of Feb. 10, 2016, Downloaded on Oct. 17, 2019.

“Spigen Ultra Hybrid Galaxy S7 Edge Case with Air Cushion Technology and Hybrid Drop Protection for Samsung Galaxy S7 Edge 2016—Rose Crystal”, <https://www.amazon.com/dp/B01AUROZ1G>, Earliest review date of Feb. 24, 2016, Downloaded on Aug. 8, 2018.

“Spigen Ultra Hybrid Galaxy S7 Case with Air Cushion Technology and Hybrid Drop Protection for Samsung Galaxy S7 2016—Crystal Clear”, <https://www.amazon.com/dp/B01A7ID0AG>, Earliest review date of Feb. 29, 2016, Downloaded on Aug. 8, 2018.

“Caseology Wavelength for Samsung Galaxy S7 Case (2016)—Navy Blue/Gold”, <https://www.amazon.com/dp/B019PBJB22>, Earliest review date of Mar. 5, 2016, Downloaded on Oct. 17, 2019.

“Spigen Ultra Hybrid Galaxy A5 Case with Air Cushion Technology and Hybrid Drop Protection for Galaxy A5—Crystal clear”, <https://www.amazon.com/dp/B018J07D01>, Earliest review date of May 23, 2016, Downloaded on Aug. 8, 2018.

“iPhone 7 Case, Caseology [Wavelength Series] Textured Pattern Grip Cover [Burgundy] [Shock Proof] for Apple iPhone 7 (2016)—Burgundy”, <https://www.amazon.com/dp/B01JSZNVBC>, Earliest review date of Sep. 4, 2016, Downloaded on Aug. 8, 2018.

“Caseology Wavelength for Apple iPhone 8 Plus Case (2017) / for iPhone 7 Plus Case (2016)—Stylish Grip Design Navy Blue”,

(56)

References Cited

OTHER PUBLICATIONS

<https://www.amazon.com/dp/B01KKWGNL2>, Earliest review date of Sep. 9, 2016, Downloaded on Aug. 3, 2018.

“Caseology Wavelength for Apple iPhone 8 Case (2017) / for iPhone 7 Case (2016)—Stylish Grip Design—Black/Deep Blue”, <https://www.amazon.com/dp/B01JSZNM5M>, Earliest review date of Sep. 16, 2016, Downloaded on Aug. 8, 2018.

Spigen Ultra Hybrid Galaxy A5 2017 Case with Air Cushion Technology and Hybrid Drop Protection for Samsung Galaxy A5 (2017)—Crystal Clear”, <https://www.amazon.com/dp/B01NCJOZ1C>, Earliest review date of Mar. 2, 2017, Downloaded on Jan. 8, 2019.

“Spigen Ultra Hybrid Galaxy S8 Plus Case with Air Cushion Technology and Hybrid Drop Protection for Galaxy S8 Plus (2017)—Crystal Clear”, <https://www.amazon.com/dp/B06XP7S564> Earliest review date of Apr. 4, 2017, Downloaded on Aug. 8, 2018.

“Spigen Ultra Hybrid Galaxy S8 Case with Air Cushion Technology and Hybrid Drop Protection for Samsung Galaxy 38 (2017)—Crystal Clear”, <https://www.amazon.com/dp/B06XP5YQNNQ>, Earliest review date of Apr. 7, 2017, Downloaded on Jul. 30, 2018.

“Spigen Ultra Hybrid S Galaxy S8 Plus Case with Air Cushion Technology and Magnetic Metal Kickstand for Galaxy 38 Plus (2017)—Crystal Clear”, <https://www.amazon.com/dp/B06XNSZJ31>, Earliest review date of Apr. 9, 2017, Downloaded on Aug. 8, 2018.

“Spigen Ultra Hybrid Galaxy A7 2017 Case with Air Cushion Technology and Hybrid Drop Protection for Samsung Galaxy A7 (2017)—Crystal Clear”, <https://www.amazon.com/dp/B01N9JDOMH>, Earliest review date of May 6, 2017, Downloaded on Aug. 8, 2018.

“Spigen Ultra Hybrid Galaxy Note 8 Case with Air Cushion Technology and Hybrid Drop Protection for Galaxy Note 8 (2017)—Midnight Black”, <https://www.amazon.com/dp/B073RWN5QP>, Earliest review date of Sep. 3, 2017, Downloaded on Aug. 8, 2018.

“Spigen Ultra Hybrid S Galaxy Note 8 Case with Air Cushion Technology and Magnetic Metal Kickstand for Galaxy Note 8

(2017)—Crystal Clear”, <https://www.amazon.com/dp/B073RWFZQH>, Earliest review date of Sep. 8, 2017, Downloaded on Jul. 30, 2018.

“Spigen Ultra Hybrid Galaxy S9 Plus Case with Air Cushion Technology and Hybrid Drop Protection for Galaxy S9 Plus (2018)—Matte Black”, <https://www.amazon.com/DP/B078B8PM95>, Earliest review date of Mar. 4, 2018, Downloaded on Jul. 30, 2018.

“Spigen Ultra Hybrid Galaxy S9 Case with Air Cushion Technology and Clear Hybrid Drop Protection for Samsung Galaxy S9 (2018)—Coral Blue”, <https://www.amazon.com/DP/B078FGB7TT>, Earliest review date of Mar. 9, 2018, Downloaded on Jan. 8, 2019.

“Spigen Ultra Hybrid Galaxy S9 Plus Case with Air Cushion Technology and Clear Hybrid Drop Protection for Samsung Galaxy S9 Plus (2018)—Crystal Clear” ,<https://www.amazon.com/Dp/B078B1HB7Z/>, Earliest review date of Mar. 15, 2018, Downloaded on Jan. 8, 2019.

“Spigen Ultra Hybrid S Galaxy S9 Case with Slim Clear Protection Air Cushion Technology and Magnetic Metal Kickstand for Samsung Galaxy S9 (2018)—Midnight Black”, <https://www.amazon.com/Spigen-Protection-Technology-Magnetic-Kickstandidp/B078KPFMCC>, Earliest review date of Mar. 16, 2018, Downloaded on Jan. 8, 2019.

“Spigen Ultra Hybrid Galaxy A8 Case with Air Cushion Technology and Hybrid Drop Protection for Galaxy A8 (2018) Matte Black”, <https://www.amazon.com/Spigen-Hybrid-Cushion-Technology-Protection/dp/B077MW2MS9>, Earliest review date of Jun. 19, 2018, Downloaded on Jan. 8, 2019.

“Spigen Ultra Hybrid Galaxy S8 Case with Air Cushion Technology and Hybrid Drop Protection for Galaxy S8 2015 Midnight Black”, <https://www.amazon.com/DP/B06XP7JTTC>, Earliest review date of Apr. 10, 2017, Downloaded on Jul. 30, 2018.

“Tendlin Compatible with iPhone Xs Case/iPhone X Case Wood Grain with Carbon Fiber Texture Design Leather Aybrid Slim Case Compatible with iPhone X and iPhone XS”, <https://www.amazon.com/DP/B07S46206G>, Earliest review date of Feb. 7, 2019, Downloaded on Jun. 4, 2020.

* cited by examiner

FIG. 1

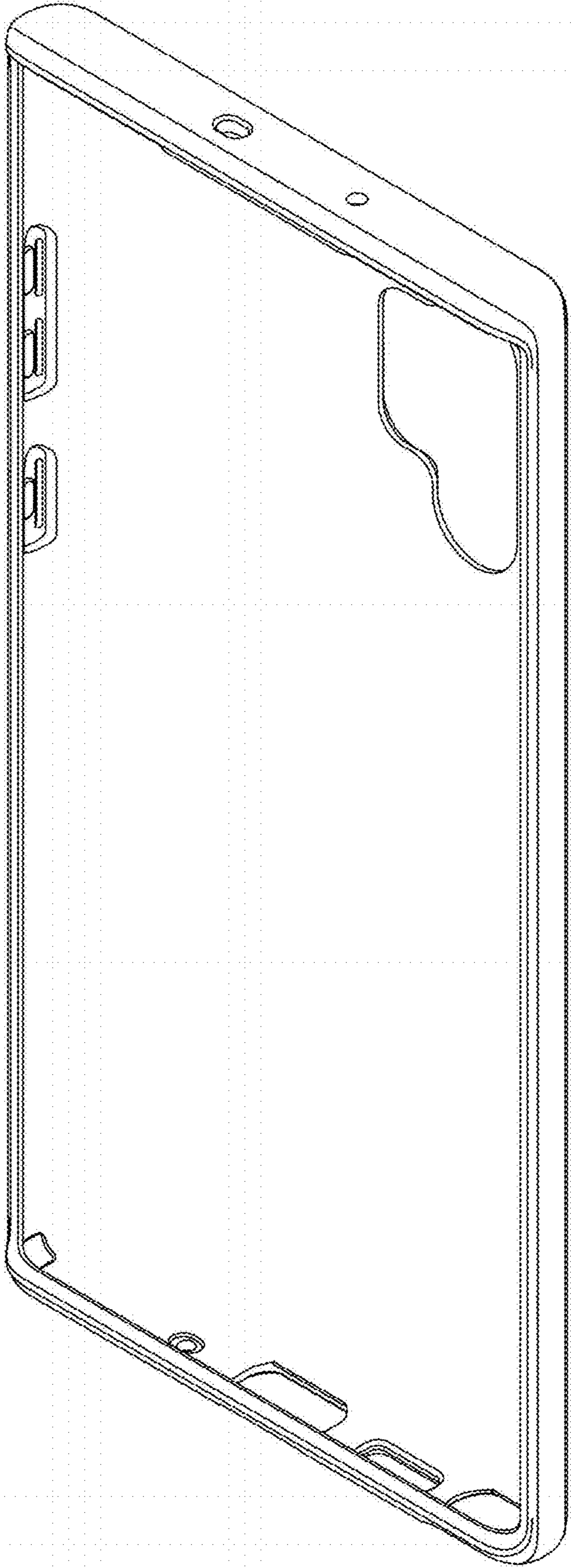


FIG. 2

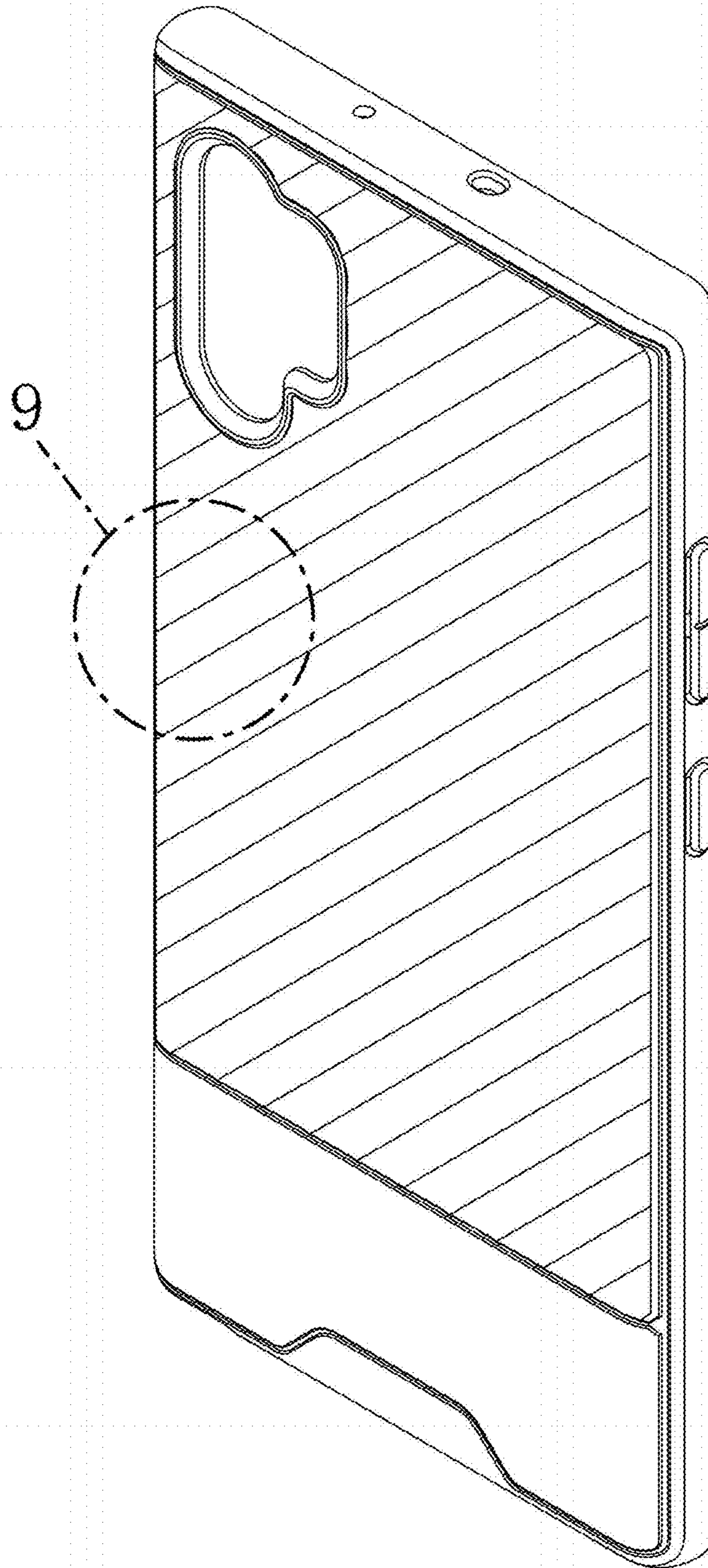


FIG. 3

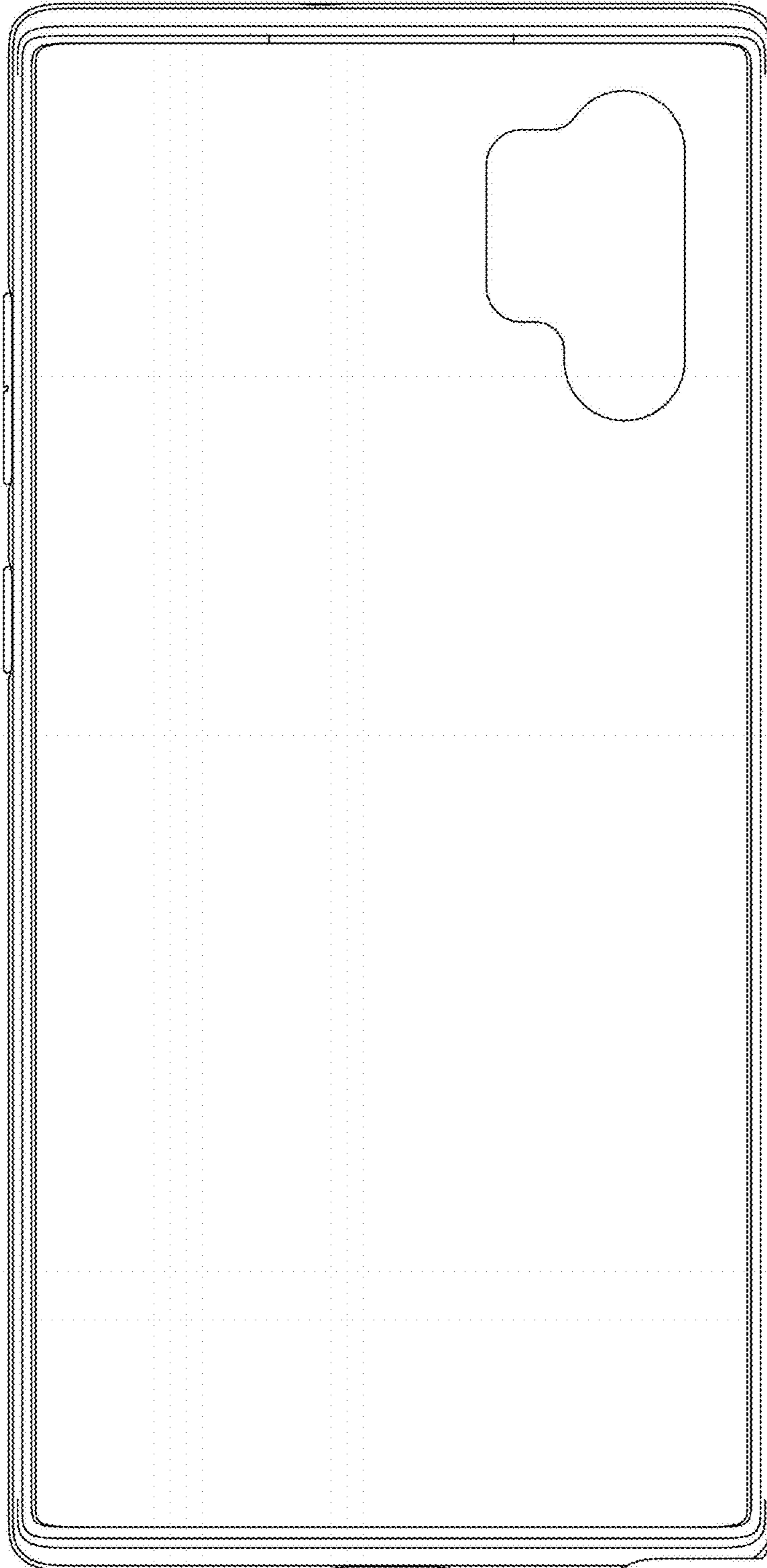


FIG. 4

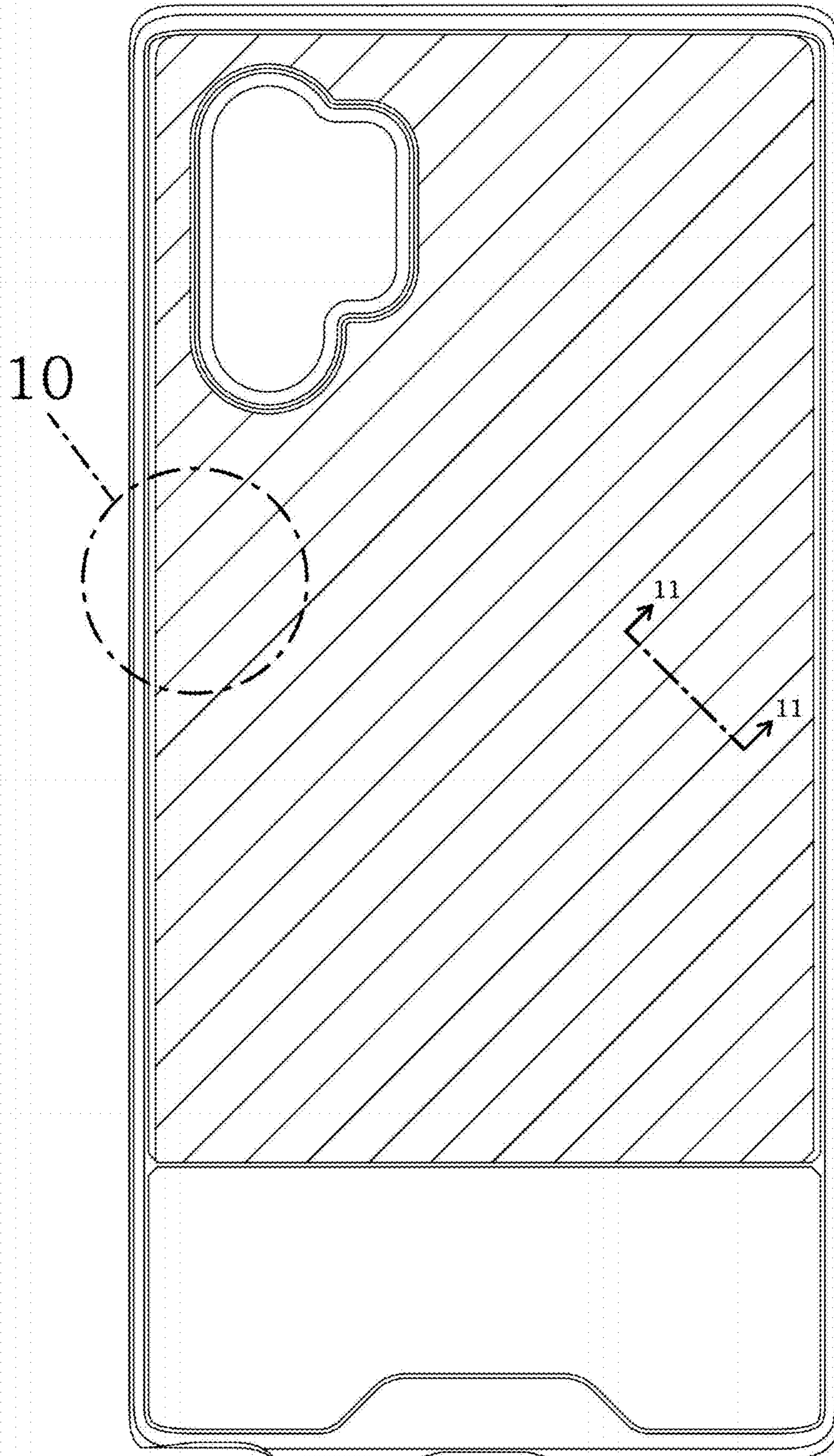


FIG. 5

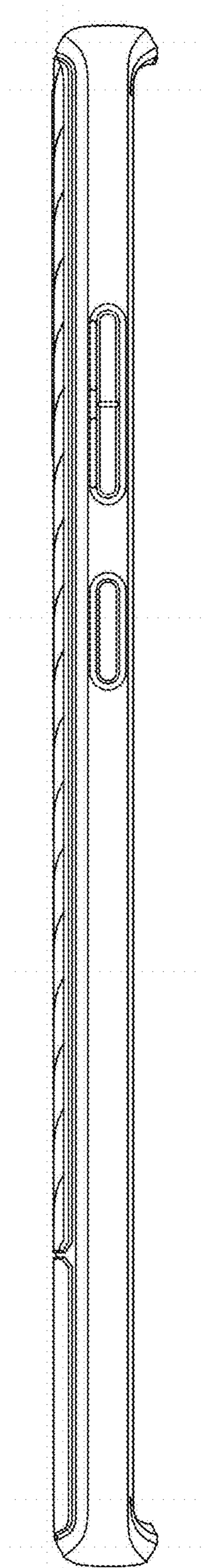


FIG. 6

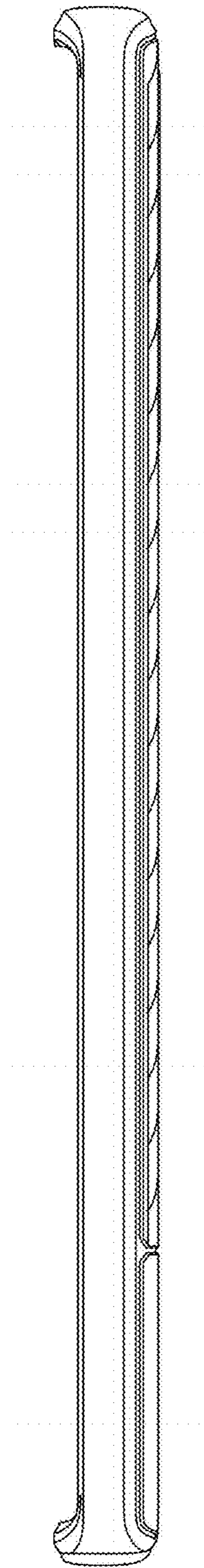


FIG. 7

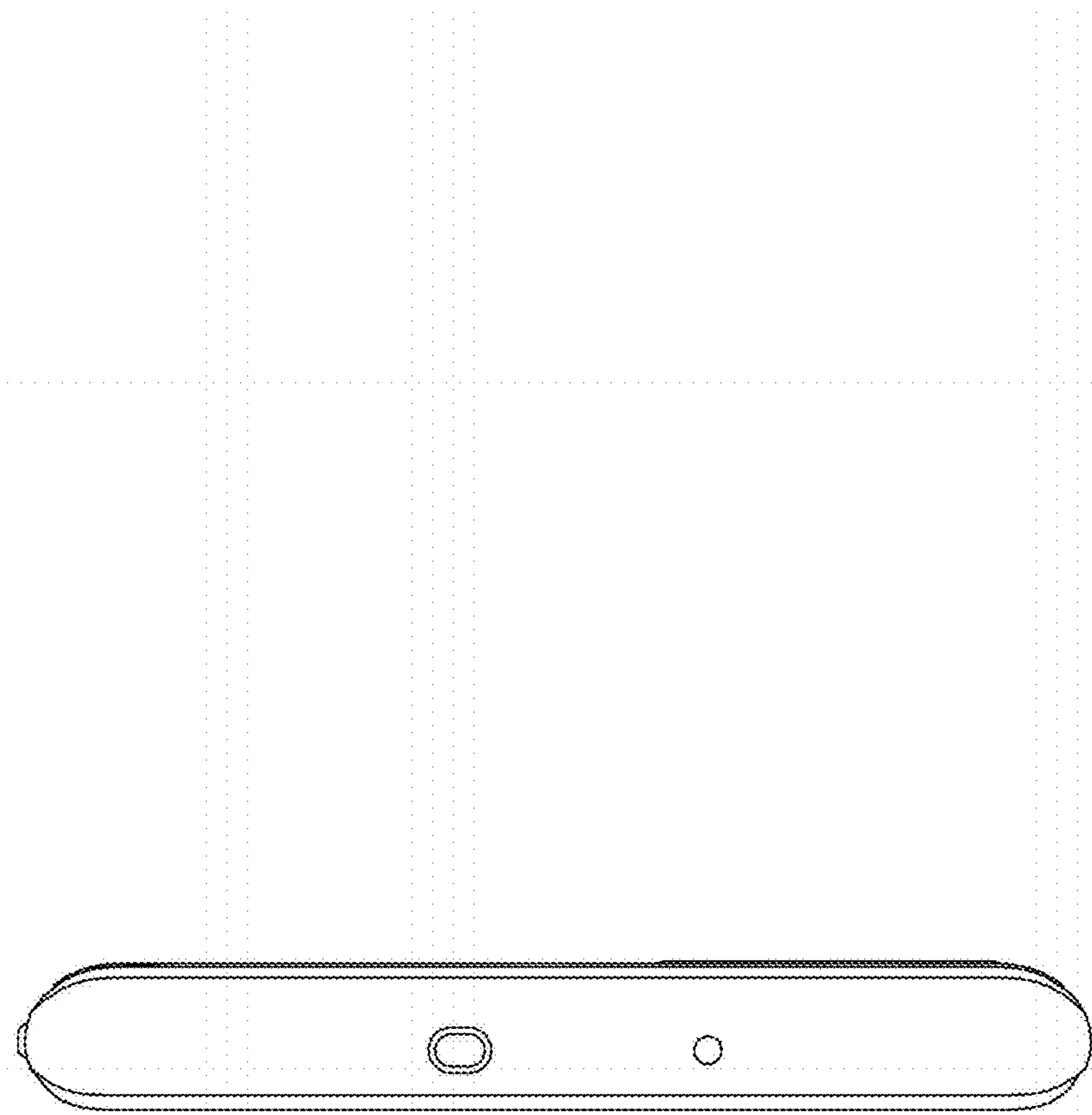


FIG. 8

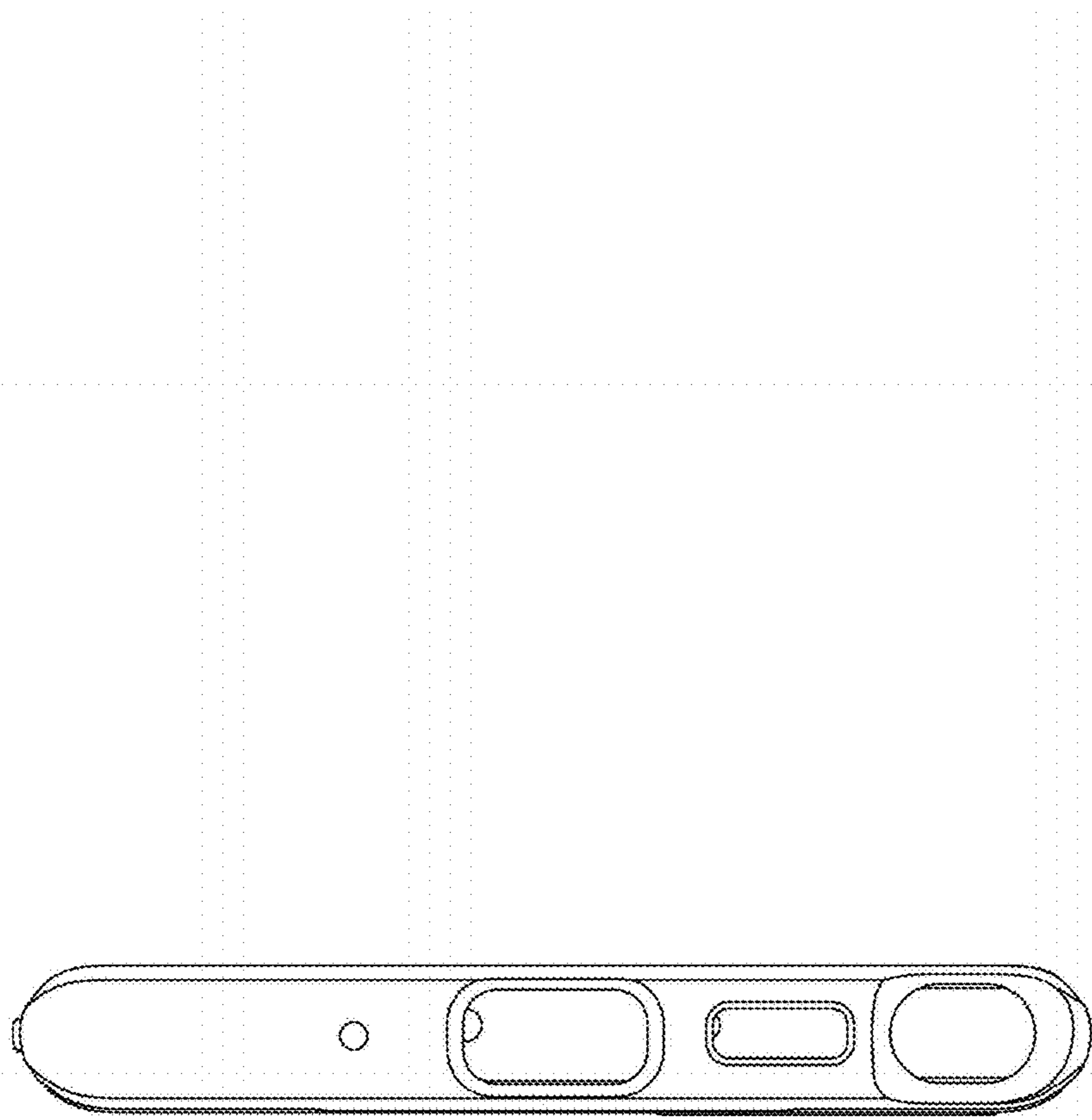


FIG. 9

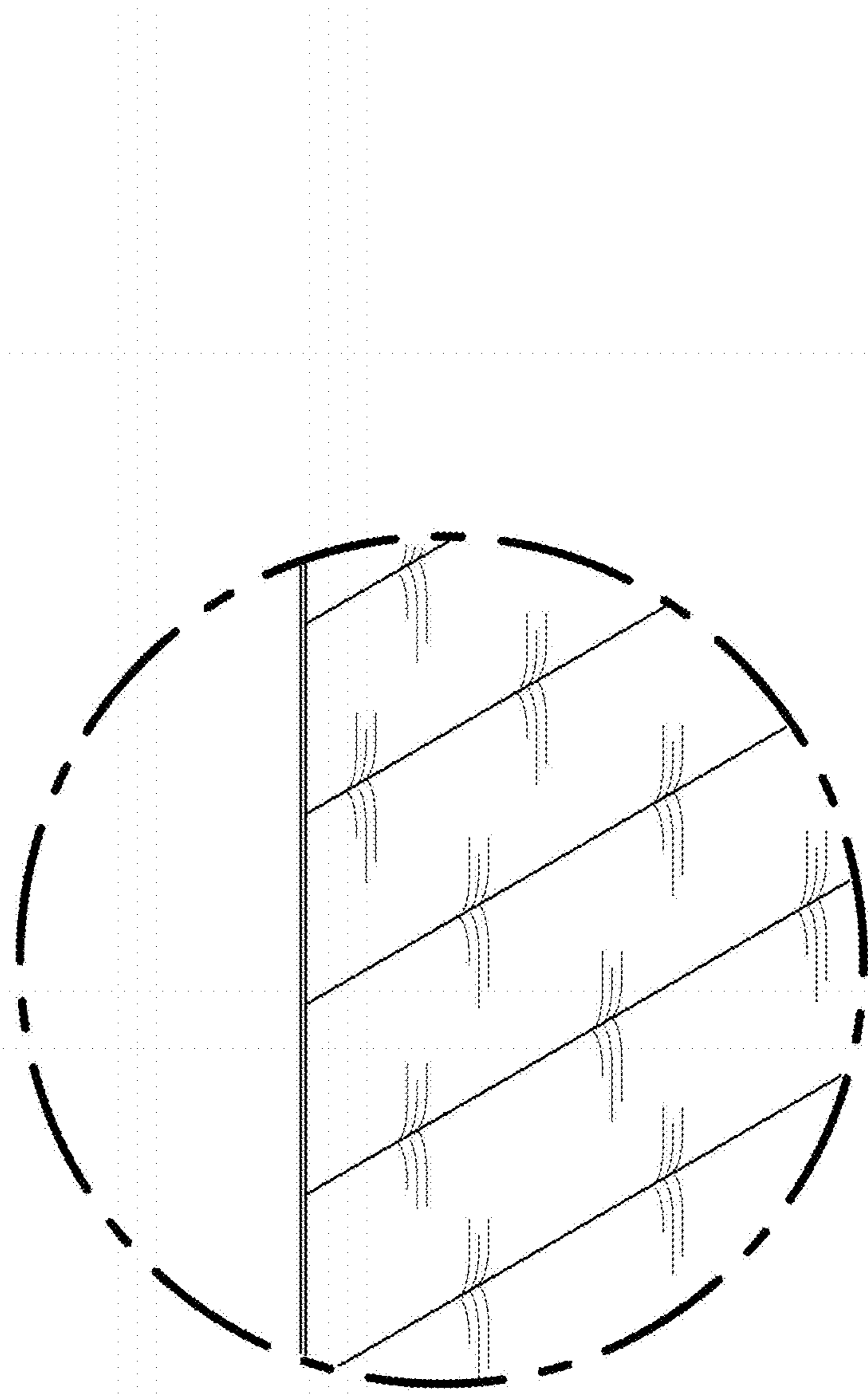


FIG. 10

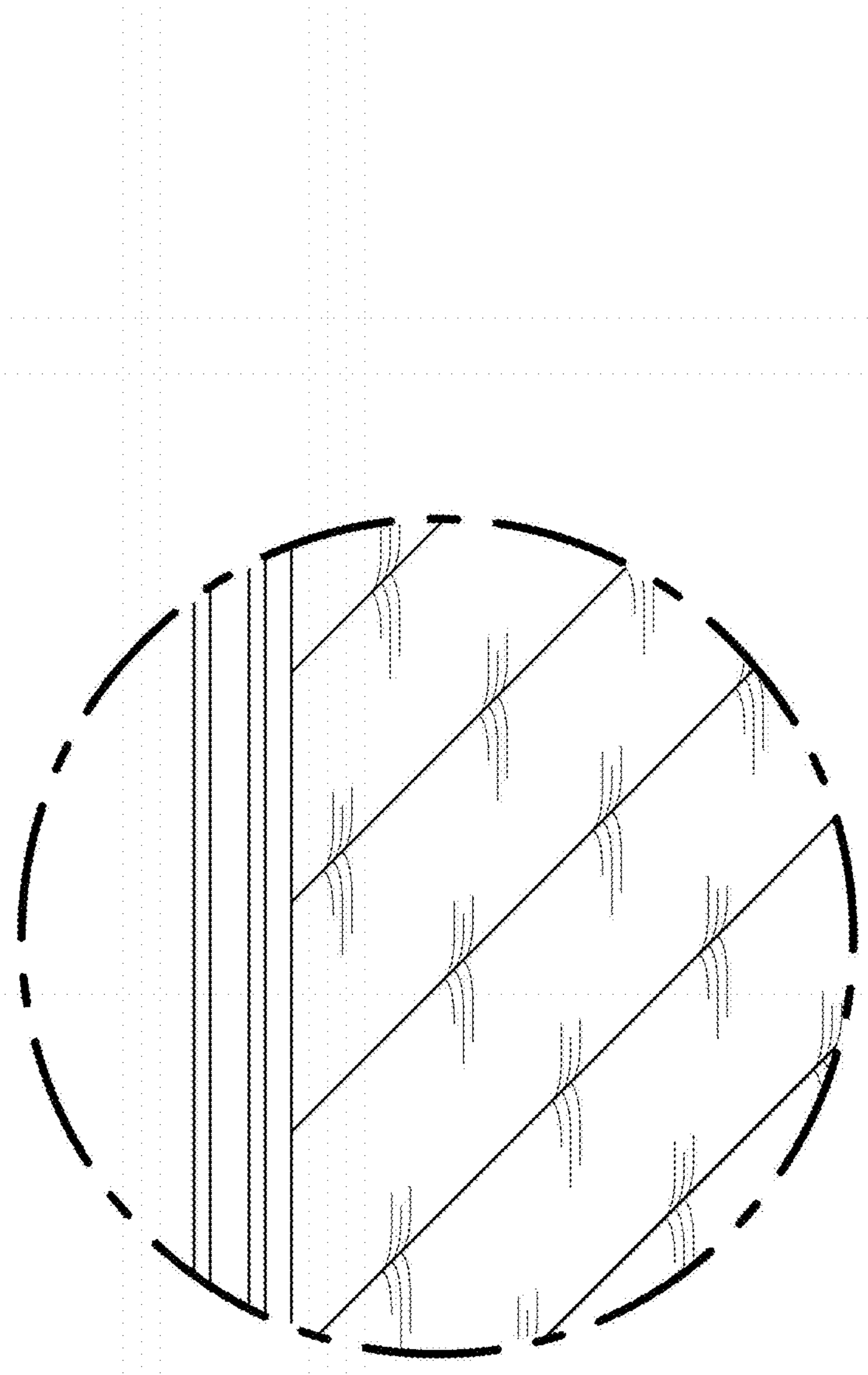


FIG. 11

