



US00D915377S

(12) **United States Design Patent** (10) **Patent No.:** **US D915,377 S**
Kim (45) **Date of Patent:** **** Apr. 6, 2021**

- (54) **CASE FOR ELECTRONIC COMMUNICATIONS DEVICE**
- (71) Applicant: **SPIGEN KOREA CO., LTD.**, Seoul (KR)
- (72) Inventor: **Seungjoo Kim**, Seoul (KR)
- (73) Assignee: **SPIGEN KOREA CO., LTD.**, Seoul (KR)
- (**) Term: **15 Years**
- (21) Appl. No.: **29/697,560**
- (22) Filed: **Jul. 9, 2019**

Related U.S. Application Data

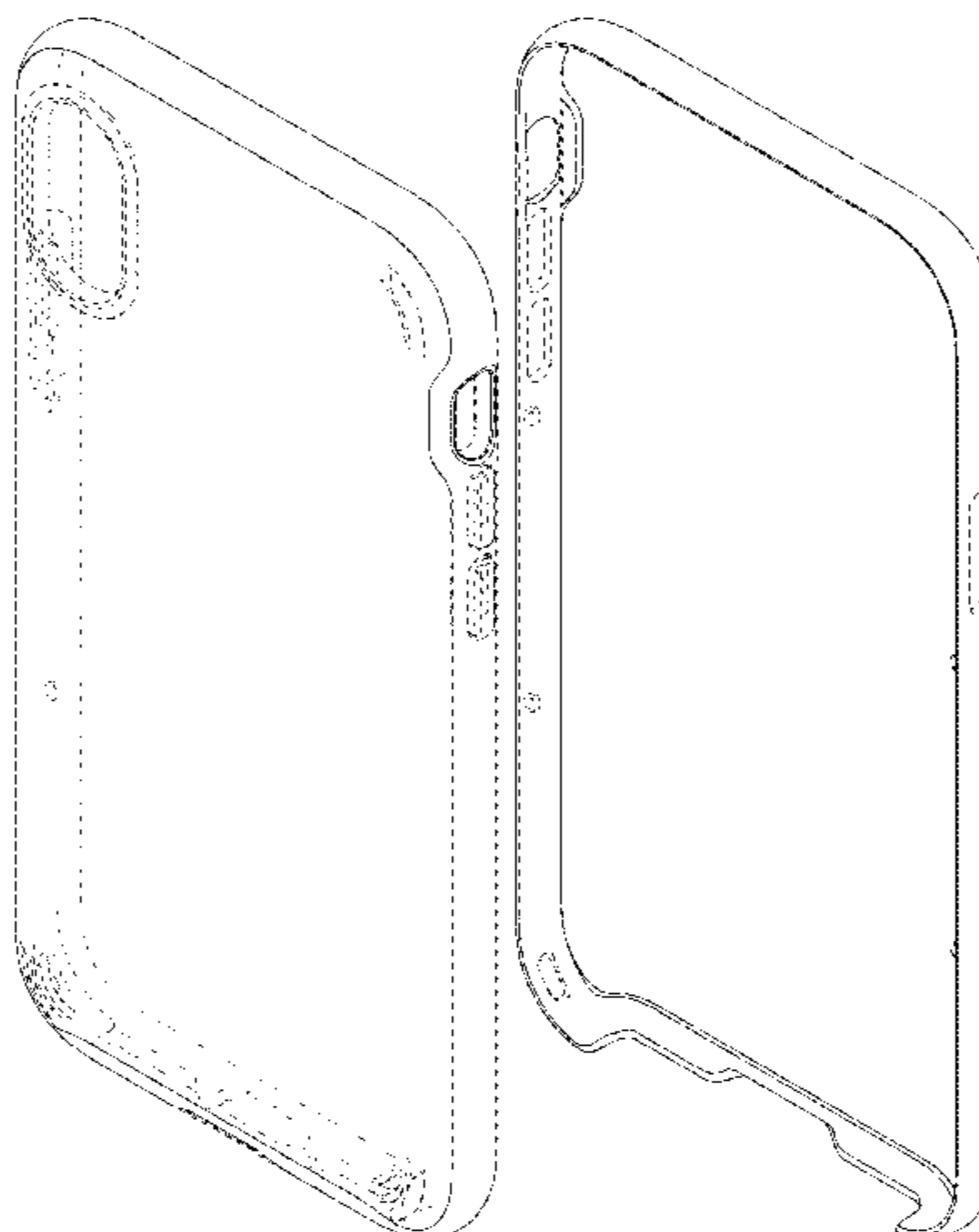
- (63) Continuation of application No. 29/615,062, filed on Aug. 25, 2017, now Pat. No. Des. 856,996.
- (51) **LOC (13) Cl.** **14-03**
- (52) **U.S. Cl.**
USPC **D14/250**
- (58) **Field of Classification Search**
USPC D3/201, 218, 226, 227, 247, 249, 250, D3/269, 303; D13/103, 107, 108, 119; D14/137, 138 R, 138 AA, 138 C, 138 G, D14/172, 192, 203.3–203.7, 217, 238.1, D14/247, 248, 250–253, 434, 440, 447, D14/496
CPC H04B 1/3888; H04M 1/0283; H04M 1/0202; A45C 1/06; A45C 2011/002; A45C 11/00; A45F 2005/028; A45F 2200/0525
See application file for complete search history.

(56) **References Cited**

U.S. PATENT DOCUMENTS

- D619,361 S † 7/2010 Andre
D663,263 S † 7/2012 Gupta D13/103
D669,071 S † 10/2012 Akana et al.
D669,458 S † 10/2012 Wilson et al.
D670,281 S † 11/2012 Corpuz et al.
D671,930 S † 12/2012 Akana et al.

- D676,837 S † 2/2013 Rothbaum et al.
D679,271 S † 4/2013 Liu D13/10
D703,652 S † 4/2014 Melanson et al.
D703,654 S † 4/2014 Melanson et al.
D706,254 S † 6/2014 Chang D14/21
D706,754 S † 6/2014 Goradesky D14/250
D712,892 S † 9/2014 Hong et al.
D714,276 S † 9/2014 Hu et al.
D718,291 S † 11/2014 Hong
D719,559 S † 12/2014 Dukerschein et al.
D721,360 S † 1/2015 Laffon de Mazieres et al.
D723,531 S † 3/2015 Katzke D14/250
D726,172 S † 4/2015 Watkins et al.
D740,798 S † 10/2015 Poon et al.
D741,844 S † 10/2015 Rayner et al.
D744,995 S † 12/2015 Lerenthal
D746,275 S † 12/2015 Mohammad
D746,805 S † 1/2016 Kim D14/250
D747,708 S † 1/2016 Roberts D14/250
D756,345 S † 5/2016 Roberts D14/250
D757,702 S † 5/2016 Kanazawa
D757,703 S † 5/2016 Kanazawa
D757,704 S † 5/2016 Roberts D14/250
D760,710 S † 7/2016 Ozolins D14/250
D761,774 S † 7/2016 Liang
D761,779 S † 7/2016 Tsai D14/250
D763,841 S † 8/2016 Kim D14/25
D765,632 S † 9/2016 Northrup et al.
D765,634 S † 9/2016 McCray et al.
D772,210 S † 11/2016 Igarashi
D772,211 S † 11/2016 Poon et al.
D772,854 S † 11/2016 Igarashi
D775,614 S * 1/2017 Kim D14/250
D775,619 S † 1/2017 Tien
D776,104 S † 1/2017 Tien D14/25
D777,715 S † 1/2017 Sawaya
D780,164 S * 2/2017 Lee D14/250
D780,167 S † 2/2017 Tien D14/25
D781,835 S † 3/2017 Kim et al.
D781,836 S † 3/2017 Kim et al.
D781,837 S † 3/2017 Kim et al.
D781,839 S † 3/2017 Kim et al.
D783,585 S * 4/2017 Park D14/248
D786,232 S * 5/2017 Kim D14/250
D788,090 S † 5/2017 Kim D14/25
9,723,735 B1 † 8/2017 Kim F16M 13/00
D800,105 S † 10/2017 Roberts D14/250
D802,574 S * 11/2017 Kim D14/250
D803,823 S † 11/2017 Feng D14/250
D808,375 S * 1/2018 Kim D14/250
D808,376 S * 1/2018 Kim D14/250
D825,543 S * 8/2018 Kim D14/250
D829,201 S * 9/2018 Kim D14/250



D829,702	S	*	10/2018	Jung	D14/250
D834,572	S	*	11/2018	Jung	D14/250
D836,097	S	*	12/2018	Jung	D14/250
D843,362	S	*	3/2019	Kim	D14/250
D845,940	S	*	4/2019	Roberts	D14/250
D849,731	S	*	5/2019	Koo	D14/250
D854,530	S	*	7/2019	Kim	D14/250
D856,996	S	*	8/2019	Kim	D14/250
D856,997	S	*	8/2019	Kim	D14/250
D859,391	S	*	9/2019	Yun	D14/250
D860,182	S	*	9/2019	Hyun	D14/250
D860,183	S	*	9/2019	Hyun	D14/250
2013/0257240	A1	‡	10/2013	Hong	H04B 1/3888 312/223.1
2015/0194994	A1	*	7/2015	Soriano	H04B 1/3888 455/575.8
2016/0101902	A1	‡	4/2016	Kim	F16M 11/00 206/45

OTHER PUBLICATIONS

Spigen, “Installation video of SGP Neo Hybrid Case”, <https://www.youtube.com/watch?v=mVASro4MsEg>, Published on Oct. 30, 2009, Downloaded on Feb. 21, 2019.‡

Spigen, “Installation video of SGP Neo Hybrid2”, https://www.youtube.com/watch?v=y5_NdOVOfZo, Published on May 25, 2010, Downloaded on Feb. 21, 2019.‡

Spigen, “Installation video of SGP NEO Hybrid EX on iPhone 4”, <https://www.youtube.com/watch?v=Z-IRDIH1w0E>, Published on Sep. 3, 2010, Downloaded on Feb. 21, 2019.‡

Run Around Tech, “SGP Neo Hybrid Matte Series Case for the iPhone 4”, <https://www.youtube.com/watch?v=fOH74451I-8>, Published on Sep. 22, 2010, Downloaded on Aug. 15, 2018.‡

“SGP iPhone 4 Case Neo Hybrid Matte Series Gun Metal”, <https://www.amazon.co.uk/dp/B004F1IQ7E>, Date first available at Amazon.co.uk of Dec. 3, 2010, Downloaded on Aug. 15, 2018.‡

Spigen, “Installation video of SGP NEO Hybrid on iPhone 4”, <https://www.youtube.com/watch?v=GnVusVoDrOc>, Published on Dec. 15, 2010, Downloaded on Feb. 21, 2019.‡

Spigen, “Installation video of SGP Case NEO Hybrid EX on Galaxy S2”, <https://www.youtube.com/watch?v=ZPhSIAUxXWg>, Published on Aug. 24, 2011, Downloaded on Feb. 21, 2019.‡

Spigen, “Spigen SGP NEO Hybrid 2S iPhone 4s & Neo Hybrid Galaxy S2 LTE”, <https://www.youtube.com/watch?v=SLzDq1ldyY>, Published on Nov. 21, 2011, Downloaded on Feb. 20, 2019.‡

Spigen, “Spigen SGP NEO Hybrid case for iPhone 4S”, <https://www.youtube.com/watch?v=nLvPhRyX3g>, Published on Nov. 22, 2011, Downloaded on Feb. 20, 2019.‡

Spigen, “Neo Hybrid Case for Galaxy S3”, <https://www.youtube.com/watch?v=IgpahRniVku>, Published on Jun. 27, 2012, Downloaded on Feb. 21, 2019.‡

Spigen, “Installation video of SPIGEN SGP Case NEO Hybrid EX on iPhone 5”, <https://www.youtube.com/watch?v=X2GAS9FT6U4>, Published on Oct. 11, 2012, Downloaded on Feb. 20, 2019.‡

“Spigen Neo Hybrid Galaxy S4 Case with Flexible Inner Protection and Reinforced Hard Bumper Frame for Galaxy S4 2013—Dante Red”, <https://www.amazon.com/dp/B00BYJXI1Y>, Earliest review date of May 9, 2013, Downloaded on Jan. 22, 2019.‡

Metagamers, “Spigen Neo Hybrid iPhone 5 & 5s Case Review”, <https://www.youtube.com/watch?v=vTvTYZfSmaI>, Published on Jul. 21, 2013, Downloaded on Feb. 21, 2019.‡

“Spigen Neo Hybrid Galaxy S5 Case with Flexible Inner Protection and Reinforced Hard Bumper Frame for Samsung Galaxy S5 2014—Electric Blue”, <http://www.amazon.com/dp/B00I3UWJYJ>, Earliest review date of Apr. 12, 2014. Downloaded on Jan. 22, 2019.‡

“iPhone 6s Case, Spigen [Neo Hybrid EX] Premium Bumper [Rose Gold] Clear TPU / PC Frame Slim Dual Layer Premium Case for iPhone 6 (2014) / 6s (2015)—Rose Gold (SGP11725)”, <https://www.amazon.com/dp/B012PKV30S>, Earliest review date of Aug. 28, 2015.‡

Danny Winget, “Spigen SGP Neo Hybrid for Galaxy Note 3 Review”, <https://www.youtube.com/watch?v=W80JtBDSckk>, Published on Nov. 3, 2013.‡

“Spigen Neo Hybrid Carbon Galaxy S6 Edge Plus Case with Carbon Fiber Design and Reinforced Hard Bumper Frame for Galaxy S6 Edge Plus 2015—Dante Red”, <https://www.amazon.com/dp/B010MWHZS0>, Earliest review date of Aug. 18, 2015.‡

“Spigen Neo Hybrid Carbon iPhone 6s Case with Carbon Fiber Design and Reinforced Hard Bumper Frame for Apple iPhone 6s / iPhone 6 (2015)—Reventon Yellow”, <https://www.amazon.com/dp/B010MVJ5O8>, Earliest review date of Sep. 1, 2015.‡

“Spigen Neo Hybrid Carbon iPhone 6S Plus Case with Carbon Fiber Design and Reinforced Hard Bumper Frame for iPhone 6S Plus 2015—Gunmetal”, <https://www.amazon.com/dp/B010MVRGMQ>, Earliest review date of Sep. 11, 2015.‡

“Spigen Neo Hybrid CC Galaxy S6 Case with Flexible Inner Casing and Reinforced Hard Bumper Frame for Galaxy S6 2015—Satin Silver”, <http://www.amazon.com/dp/B00UMDOZLU>, Earliest review date of Mar. 25, 2015.‡

“Spigen Neo Hybrid CC Galaxy S6 Edge Case with Flexible Inner Casing and Reinforced Hard Bumper Frame for Galaxy S6 Edge 2015—Blue Topaz”, <https://www.amazon.com/dp/B00USAPGKQ>, Earliest review date of Apr. 4, 2015.‡

“Spigen Neo Hybrid Crystal Galaxy Note 5 Case with Flexible Inner Casing and Reinforced Hard Bumper Frame for Galaxy Note 5 2015—Champagne Gold”, <https://www.amazon.com/dp/B010MWIG1K>, Earliest review date of Aug. 22, 2015.‡

“Spigen Neo Hybrid EX iPhone 6 Case with Flexible Inner Bumper and Reinforced Hard Frame for iPhone 6S/iPhone 6—EX Satin Silver”, <https://www.amazon.com/dp/B00LL6RZ3C>, Earliest review date of Sep. 6, 2014.‡

“Spigen Neo Hybrid EX iPhone 6S Plus Case with Flexible Inner Bumper and Reinforced Hard Frame for iPhone 6S Plus/iPhone 6 Plus—Champagne Gold”, <https://www.amazon.com/dp/B010MVR16>, Earliest review date of Sep. 4, 2015.‡

“Spigen Neo Hybrid EX Nexus 6P Case with Flexible Inner Bumper and Reinforced Hard Frame for Nexus 6P 2015—Gunmetal”, <https://www.amazon.com/dp/B0184I8Z4W>, Earliest review date of Oct. 20, 2015.‡

“Spigen Neo Hybrid Galaxy S6 Case with Flexible Inner Protection and Reinforced Hard Bumper Frame for Galaxy S6 2015—Satin Silver”, <https://www.amazon.com/dp/B00QU4Q31A>, Earliest review date of Mar. 6, 2015.‡

“Spigen Neo Hybrid Galaxy S6 Edge Case with Flexible Inner Protection and Reinforced Hard Bumper Frame for Galaxy S6 Edge 2015—Gunmetal”, <https://www.amazon.com/dp/B00SV635BG>, Earliest review date of Mar. 19, 2015.‡

“Spigen Neo Hybrid iPhone 6 Case with Flexible Inner Protection and Reinforced Hard Bumper Frame for iPhone 6S / iPhone 6—Gunmetal”, <https://www.amazon.com/dp/B00LL6ZPXy>, Earliest review date of Aug. 28, 2014.‡

“Spigen Neo Hybrid Nexus 6 Case with Flexible Inner Protection and Reinforced Hard Bumper Frame for Google Nexus 6 2014—Dante Red”, <https://www.amazon.com/dp/B00OH4HKGC>, Earliest review date of Nov. 16, 2014.‡

“Spigen Neo Hybrid Galaxy S7 Case with Flexible Inner Protection and Reinforced Hard Bumper Frame for Samsung Galaxy S7 2016—Gunmetal”, <https://www.amazon.com/dp/B01B116J0E>, Earliest review date of Feb. 27, 2016.‡

“Spigen Neo Hybrid Crystal Galaxy S7 Case with Flexible Inner Casing and Reinforced Hard Bumper Frame for Samsung Galaxy S7 2016—Champagne Gold”, <https://www.amazon.com/dp/B01B29WCOY>, Earliest review date of Mar. 3, 2016.‡

“Spigen Neo Hybrid Crystal Galaxy S7 Edge Case with Flexible Inner Casing and Reinforced Hard Bumper Frame for Samsung Galaxy S7 Edge 2016—Satin Silver”, <https://www.amazon.com/dp/B01A7IDQV4>, Earliest review date of Feb. 22, 2016.‡

“Spigen Neo Hybrid Crystal iPhone SE Case with Flexible Inner Casing and Reinforced Hard Bumper Frame for iPhone SE 2016—Rose Gold”, <https://www.amazon.com/dp/B01BEJB7TI>, Earliest review date of Apr. 7, 2016.‡

“Spigen Neo Hybrid Crystal LG G5 Case with Flexible Inner Casing and Reinforced Hard Bumper Frame for LG G5 2016—

Champagne Gold”, <https://www.amazon.com/dp/B01B1GQKIC>, Earliest review date of Apr. 17, 2016.‡

“Spigen Neo Hybrid Galaxy S7 Edge Case with Flexible Inner Protection and Reinforced Hard Bumper Frame for Samsung Galaxy S7 Edge 2016—Satin Silver”, <https://www.amazon.com/dp/B01B1I6JMM>, Earliest review date of Feb. 27, 2016.‡

“Spigen Neo Hybrid iPhone SE Case with Flexible Inner Protection and Reinforced Hard Bumper Frame for iPhone SE 2016—Gunmetal”, <https://www.amazon.com/dp/B01BEJBBSK>, Earliest review date of Apr. 6, 2016.‡

“Spigen Neo Hybrid OnePlus 3 Case/OnePlus 3T Case with Flexible Inner Protection and Reinforced Hard Bumper Frame for OnePlus 3 2016—Gunmetal”, <https://www.amazon.com/dp/B01H3PF76Q>, Earliest review date of Aug. 9, 2016.‡

“Spigen Neo Hybrid iPhone 6S Case with Flexible Inner Protection and Reinforced Hard Bumper Frame for iPhone 6S 2015—Gunmetal”, <https://www.amazon.com/dp/B010MVIZTE>, Earliest review date of Sep. 1, 2015.‡

Spigen, “Installation video of SGP Neo Hybrid Case”, <https://www.youtube.com/watch?v=mVASro4MsEg>, Published on Oct. 30, 2009, Downloaded on Feb. 21, 2019.

Spigen, “Installation video of SGP NEO Hybrid EX on iPhone 4”, <https://www.youtube.com/watch?v=Z-IRDIH1w0E>, Published on Sep. 3, 2010, Downloaded on Feb. 21, 2019.

Run Around Tech, “SGP Neo Hybrid Matte Series Case for the iPhone 4”, <https://www.youtube.com/watch?v=fOH744511-8>, Published on Sep. 22, 2010, Downloaded on Aug. 15, 2018.

“SGP iPhone 4 Case Neo Hybrid Matte Series Gun Metal”, <https://www.amazon.co.uk/dp/B004F1IQ7E>, Date first available at Amazon.co.uk of Dec. 3, 2010, Earliest review date of Dec. 3, 2010, Downloaded on Aug. 15, 2018.

Spigen, “Installation video of SGP NEO Hybrid on iPhone 4”, <https://www.youtube.com/watch?v=GnVusVoDrOc>, Published Dec. 15, 2010, downloaded Feb. 21, 2019.

Spigen, “Spigen SGP NEO Hybrid case for iPhone 4S”, Published on Nov. 22, 2011, Downloaded on Feb. 20, 2019.

“Spigen Neo Hybrid Galaxy S4 Case with Flexible Inner Protection and Reinforced Hard Bumper Frame for Galaxy S4 2013—Dante Red”, <https://www.amazon.com/Spigen-Hybrid-Flexible-Protection-Reinforced/dp/B00BYJX11Y>, Earliest review date of May 9, 2013, Downloaded on Jan. 22, 2019.

Metagamers, “Spigen Neo Hybrid iPhone 5 & 5s Case Review”, <https://www.youtube.com/watch?v=vTvTYZfSmal>, Published on Jul. 21, 2013, Downloaded on Feb. 21, 2019.

Danny Winget, “Spigen SGP Neo Hybrid for Galaxy Note 3 Review”, <https://youtube.com/watch?v=W80JtBDSckk>, Published on Nov. 3, 2013, Downloaded on Dec. 20, 2018.

“Spigen Neo Hybrid Galaxy S5 Case with Flexible Inner Protection and Reinforced Hard Bumper Frame for Samsung Galaxy S5 2014—Electric Blue”, <https://www.amazon.com/Spigen-Flexible-Protection-Reinforced-Samsung/dp/B00I3UWAY>, Earliest review date of Apr. 12, 2014, Downloaded on Jan. 22, 2019.

“Spigen Neo Hybrid iPhone 6 Case with Flexible Inner Protection and Reinforced Hard Bumper Frame for iPhone 6S / iPhone 6—Gunmetal”, <https://www.amazon.com/Spigen-Hybrid-Flexible-Protection-Reinforced/dp/B00LL6ZPXY>, Earliest review date of Aug. 28, 2014, Downloaded on Dec. 18, 2018.

“Spigen Neo Hybrid EX iPhone 6 Case with Flexible Inner Bumper and Reinforced Hard Frame for iPhone 6S/iPhone 6—EX Satin Silver”, <https://www.amazon.com/dp/B00LL6RZ3C>, Earliest review date of Sep. 6, 2014, Downloaded on Dec. 18, 2019.

“Spigen Neo Hybrid Nexus 6 Case with Flexible Inner Protection and Reinforced Hard Bumper Frame for Google Nexus 6 2014—Dante Red”, <https://www.amazon.com/Spigen-Hybrid-Flexible-Protection-Reinforced/dp/B00OH4HKGC>, Earliest review date of Nov. 16, 2014, Downloaded on Dec. 18, 2018.

“Spigen Neo Hybrid Galaxy S6 Case with Flexible Inner Protection and Reinforced Hard Bumper Frame for Galaxy S6 2015—Satin Silver”, <https://www.amazon.com/Spigen-Hybrid-Flexible-Protection-Reinforced/dp/B00QU4031A>, Earliest review date of Mar. 6, 2015, Downloaded on Dec. 18, 2018.

“Spigen Neo Hybrid Galaxy S6 Edge Case with Flexible Inner Protection and Reinforced Hard Bumper Frame for Galaxy S6 Edge

2015—Gunmetal”, <https://www.amazon.com/Spigen-Flexible-Protection-Reinforced-Samsung/dp/B00SV635BG>, Earliest review date of Mar. 19, 2015, Downloaded on Dec. 18, 2018.

“Spigen Neo Hybrid CC Galaxy S6 Case with Flexible Inner Casing and Reinforced Hard Bumper Frame for Galaxy S6 2015—Satin Silver”, <https://www.amazon.com/Spigen-Hybrid-Galaxy-Flexible-Reinforced/dp/B00UMDOZLU>, Earliest review date of Mar. 25, 2015, Downloaded on Dec. 18, 2018.

“Spigen Neo Hybrid CC Galaxy S6 Edge Case with Flexible Inner Casing and Reinforced Hard Bumper Frame for Galaxy S6 Edge 2015—Blue Topaz”, <https://www.amazon.com/Spigen-Hybrid-Galaxy-Flexible-Reinforced/dp/B00USAPGKQ>, Earliest review date of Apr. 4, 2015, Downloaded on Dec. 18, 2018.

“Spigen Neo Hybrid Carbon Galaxy S6 Edge Plus Case with Carbon Fiber Design and Reinforced Hard Bumper Frame for Galaxy S6 Edge Plus 2015—Dante Red”, <https://www.amazon.com/Spigen-Hybrid-Carbon-Galaxy-Reinforced/dp/B010MWHZS0>, Earliest review date of Aug. 18, 2015, Downloaded on Dec. 18, 2018.

“Spigen Neo Hybrid Crystal Galaxy Note 5 Case with Flexible Inner Casing and Reinforced Hard Bumper Frame for Galaxy Note 5 2015—Champagne Gold”, <https://www.amazon.com/Spigen-Hybrid-Crystal-Flexible-Reinforced/dp/B010MWIG1K>, Earliest review date of Aug. 22, 2015, Downloaded on Dec. 18, 2018.

“iPhone 6s Case, Spigen [Neo Hybrid EX] Premium Bumper [Rose Gold] Clear TPU / PC Frame Slim Dual Layer Premium Case for iPhone 6 (2014) / 6s (2015)—Rose Gold (SGP11725)”, <https://www.amazon.com/Spigen-Hybrid-Phone-Flexible-Reinforced/dp/B012PKV30S>, Earliest review date of Aug. 28, 2015, Downloaded on Dec. 18, 2018.

“Spigen Neo Hybrid Carbon iPhone 6s Case with Carbon Fiber Design and Reinforced Hard Bumper Frame for Apple Phone 6s / iPhone 6 (2015)—Reventon Yellow”, <https://www.amazon.com/Spigen-Hybrid-Carbon-iPhone-Reinforced/dp/B010MVJ5O8>, Earliest review date of Sep. 1, 2015, Downloaded on Dec. 18, 2018.

“Spigen Neo Hybrid iPhone 6S Case with Flexible Inner Protection and Reinforced Hard Bumper Frame for iPhone 6S 2015—Gunmetal”, <https://www.amazon.com/Spigen-Hybrid-Flexible-Protection-Reinforced/dp/B010MVIZTE>, Earliest review date of Sep. 1, 2015, Downloaded on Dec. 18, 2018.

“Spigen Neo Hybrid EX iPhone 6S Plus Case with Flexible Inner Bumper and Reinforced Hard Frame for iPhone 6S Plus/iPhone 6 Plus—Champagne Gold”, <https://www.amazon.com/Spigen-Hybrid-iPhone-Flexible-Reinforced/dp/B010MVRR16>, Earliest review date of Sep. 4, 2015, Downloaded on Dec. 18, 2018.

“iPhone 6S Plus Case, Caseology [Wavelength Series] Slim Fit Military-Grade Drop Protection [Navy Blue] for Apple iPhone 6S Plus (2015) & iPhone 6 Plus (2014)”, <https://www.amazon.com/iPhone-Caseology-Wavelength-Military-Grade-Protection/dp/B013W2C77G>, Earliest review date of Sep. 10, 2015, Downloaded on Mar. 13, 2018.

“Spigen Neo Hybrid Carbon iPhone 6S Plus Case with Carbon Fiber Design and Reinforced Hard Bumper Frame for Phone 6S Plus 2015—Gunmetal”, <https://www.amazon.com/Spigen-Hybrid-Carbon-iPhone-Reinforced/dp/B010MVRGMQ>, Earliest review date of Sep. 11, 2015, Downloaded on Dec. 18, 2018.

“iPhone SE Case, For Apple iPhone 5S/5 Case, Rock [Royce] Antiscratch Drop Protection Slim Fit Dual Layered Heavy Duty Armor Hybrid Hard PC+ Soft TPU Protective Shell Case—Champagne Gold/Black”, <https://www.amazon.com/ROCK-Anti-scratch-Protection-Layered-Protective/dp/B014A8AM7I>, Earliest review date of Oct. 16, 2015, Downloaded on Jan. 30, 2017.

“Spigen Neo Hybrid EX Nexus 6P Case with Flexible Inner Bumper and Reinforced Hard Frame for Nexus 6P 2015—Gunmetal”, <https://www.amazon.com/Spigen-Hybrid-Flexible-Bumper-Reinforced/dp/B0184I8Z4W>, Earliest review date of Oct. 20, 2015, Downloaded on Dec. 18, 2018.

George Tinari, “Caseology review: Testing 4 of the nicest iPhone 6s cases available”, <https://www.cultofmac.com/399325/caseology-review>, Published on Nov. 28, 2015, Downloaded on Jan. 30, 2017.

“Spigen Neo Hybrid Crystal Galaxy S7 Edge Case with Flexible Inner Casing and Reinforced Hard Bumper Frame for Samsung Galaxy S7 Edge 2016—Satin Silver”, <https://www.amazon.com/>

Spigen-Crystal-Flexible-Reinforced-Samsung/dp/B01A7IDQV4, Earliest review date of Feb. 22, 2016, Downloaded on Dec. 18, 2018. “Spigen Neo Hybrid Galaxy S7 Case with Flexible Inner Protection and Reinforced Hard Bumper Frame for Samsung Galaxy S7 2016—Gunmetal”, <https://www.amazon.com/Spigen-Flexible-Protection-Reinforced-Samsung/dp/B01B116J0E>, Earliest review date of Feb. 27, 2016, Downloaded on Dec. 18, 2018.

“Spigen Neo Hybrid Galaxy S7 Edge Case with Flexible Inner Protection and Reinforced Hard Bumper Frame for Samsung Galaxy S7 Edge 2016—Satin Silver”, <https://www.amazon.com/Spigen-Flexible-Protection-Reinforced-Samsung-x/dp/B01B116JMM>, Earliest review date of Feb. 27, 2016, Downloaded on Dec. 18, 2018.

“Spigen Neo Hybrid Crystal Galaxy S7 Case with Flexible Inner Casing and Reinforced Hard Bumper Frame for Samsung Galaxy S7 2016—Champagne Gold”, <https://www.amazon.com/Spigen-Crystal-Flexible-Reinforced-Samsung/dp/B01B29WCOY>, Earliest review date of Mar. 3, 2016, Downloaded on Dec. 18, 2018.

“Gold Apple iPhone 5 5S Hybrid Shockproof Hard Bumper Soft Case Cover Skin”, <https://web.archive.org/web/20160321221419/https://www.nywatchstore.com/goapip55shys.html>, first archived on Mar. 21, 2016 at Wayback Machine, Downloaded on Jan. 22, 2019.

“ROCK PC+TPU Neo Hybrid Durable Slim Armor cover case for iPhone X 6S 5S SE Plus”, <https://www.ebay.com/itm/ROCK-PC-TPU-Neo-Hybrid-Durable-Slim-Armor-cover-case-for-iphone-X-6S-5S-SE-Plus-/111952466831>, listing first revised on Mar. 30, 2016, Downloaded on Mar. 9, 2018.

“Spigen Neo Hybrid iPhone SE Case with Flexible Inner Protection and Reinforced Hard Bumper Frame for iPhone SE 2016—Gunmetal”, <https://www.amazon.com/dp/B01BEJBBSK>, Earliest review date of Apr. 6, 2016, Downloaded on Dec. 20, 2018.

“Spigen Neo Hybrid Crystal iPhone SE Case with Flexible Inner Casing and Reinforced Hard Bumper Frame for iPhone SE 2016—Rose Gold”, <https://www.amazon.com/Spigen-Hybrid-Crystal-Flexible-Reinforced/dp/B01BEJB7TI>, Earliest review date of Apr. 7, 2016, Downloaded on Dec. 18, 2018.

“Spigen Neo Hybrid Crystal LG G5 Case with Flexible Inner Casing and Reinforced Hard Bumper Frame for LG G5 2016—Champagne Gold”, <https://www.amazon.com/Spigen-Hybrid-Crystal-Flexible-Reinforced/dp/B01B1GQKIC>, Earliest review date of Apr. 17, 2016, Downloaded on Dec. 18, 2018.

“Spigen Neo Hybrid OnePlus 3 Case/OnePlus 3T Case with Flexible Inner Protection and Reinforced Hard Bumper Frame for OnePlus 3 2016—Gunmetal”, <https://www.amazon.com/Spigen-OnePlus-Flexible-Protection-Reinforced/dp/B01H3PF76Q>, Earliest review date of Aug. 9, 2016, Downloaded on Dec. 18, 2018.

* cited by examiner

‡ imported from a related application

Primary Examiner — L. A. Grabenstetter

(74) *Attorney, Agent, or Firm* — Heedoog Chae; Lucem, PC

(57)

CLAIM

The ornamental design of a case for electronic communications device, as shown and described.

DESCRIPTION

FIG. 1 is a front perspective view of a partially transparent case for electronic communications device, comprised of an outer frame and a transparent inner shell, showing my new design;

FIG. 2 is a rear perspective view thereof;

FIG. 3 is a front elevational view thereof;

FIG. 4 is a rear elevational view thereof;

FIG. 5 is a left side elevational view thereof;

FIG. 6 is a right side elevational view thereof;

FIG. 7 is a top plan view thereof;

FIG. 8 is a bottom plan view thereof;

FIG. 9 is a front perspective of the transparent inner shell of the case;

FIG. 10 is a rear perspective view of the transparent inner shell of the case;

FIG. 11 is a front perspective view of the outer frame of the case;

FIG. 12 is a rear perspective view of the outer frame of the case;

FIG. 13 is an exploded front perspective view thereof, showing the transparent inner shell and outer frame of the case; and,

FIG. 14 is an exploded rear perspective view thereof, showing the outer frame and transparent inner shell.

Although the case for electronic communications device in which the claimed design is embodied comprises a transparent inner shell component and an outer frame component, the claim is directed to the ornamental appearance of the case in its entirety and does not extend to the ornamental appearance of each of the individual components in isolation.

The broken lines depict parts of the case for electronic communications device that form no part of the claimed design.

1 Claim, 14 Drawing Sheets

FIG. 1

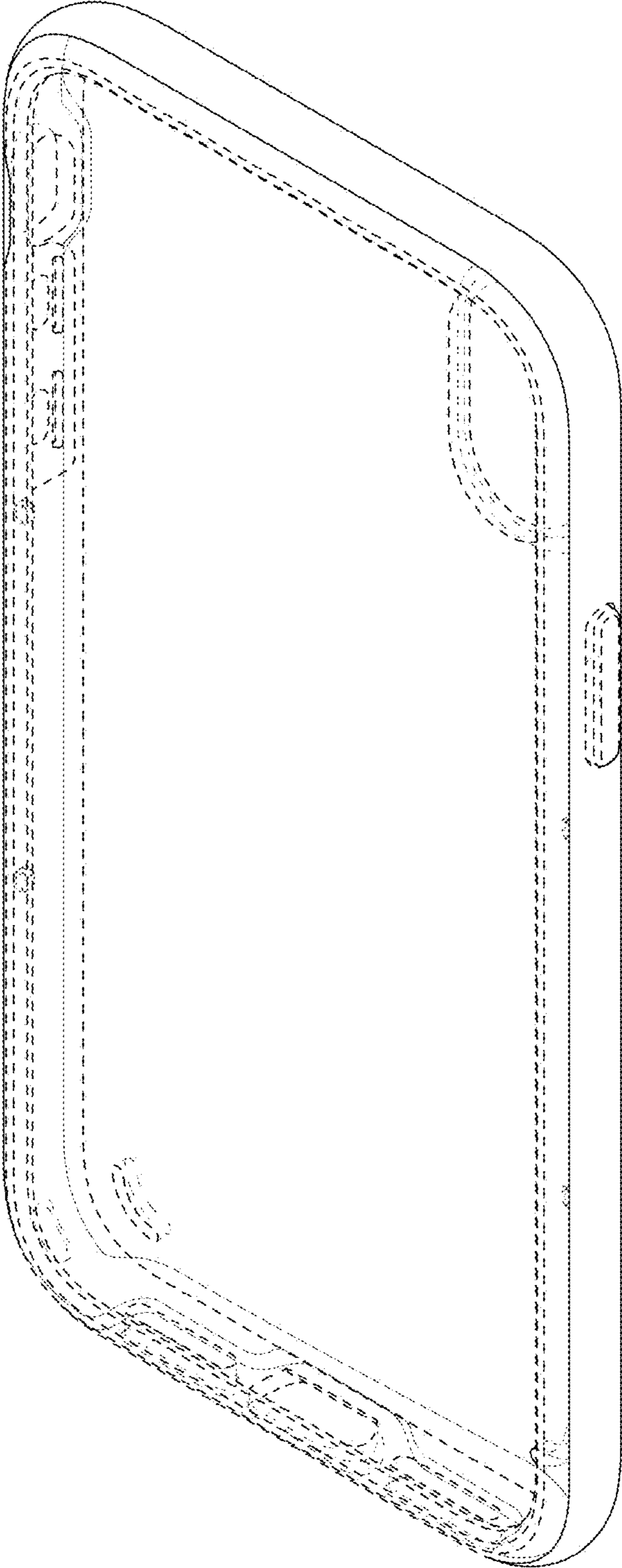


FIG. 2

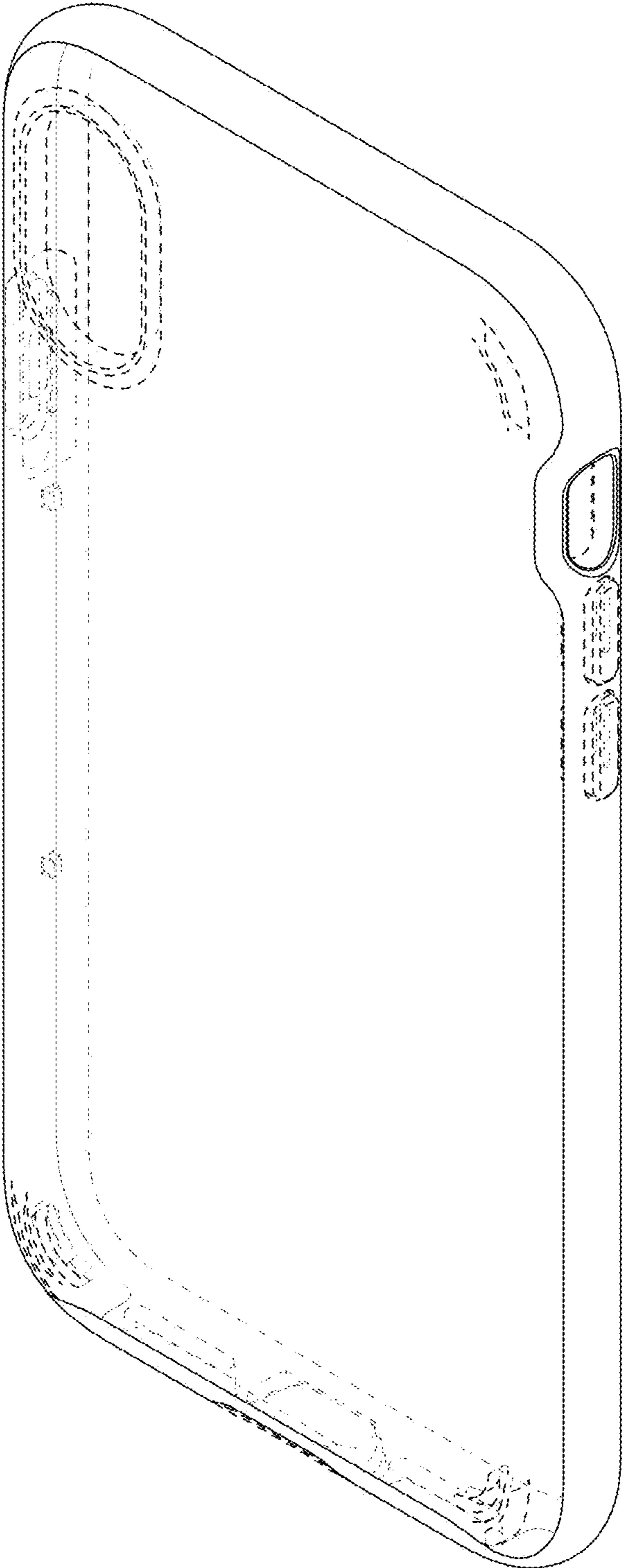


FIG. 3

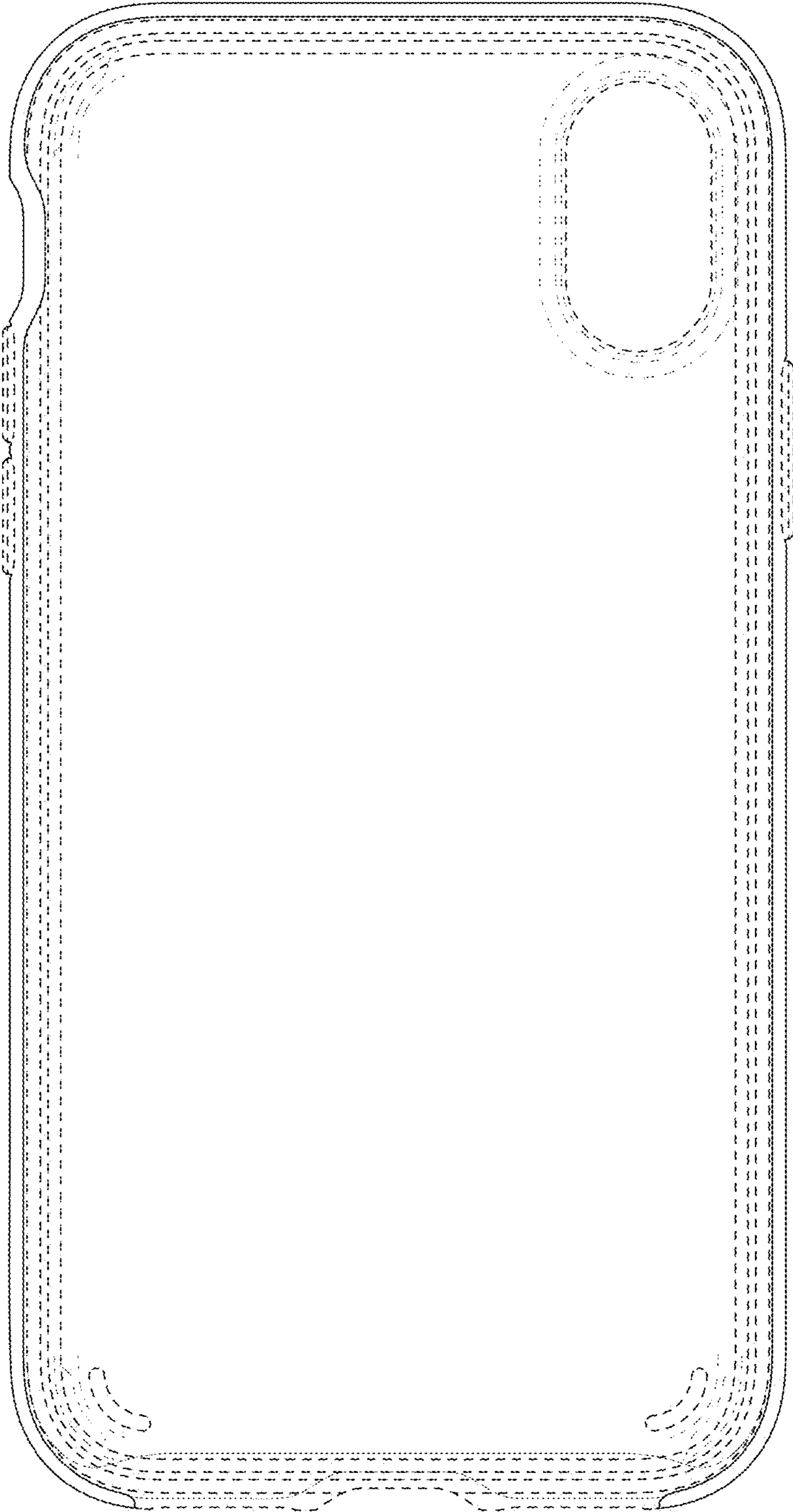


FIG. 4

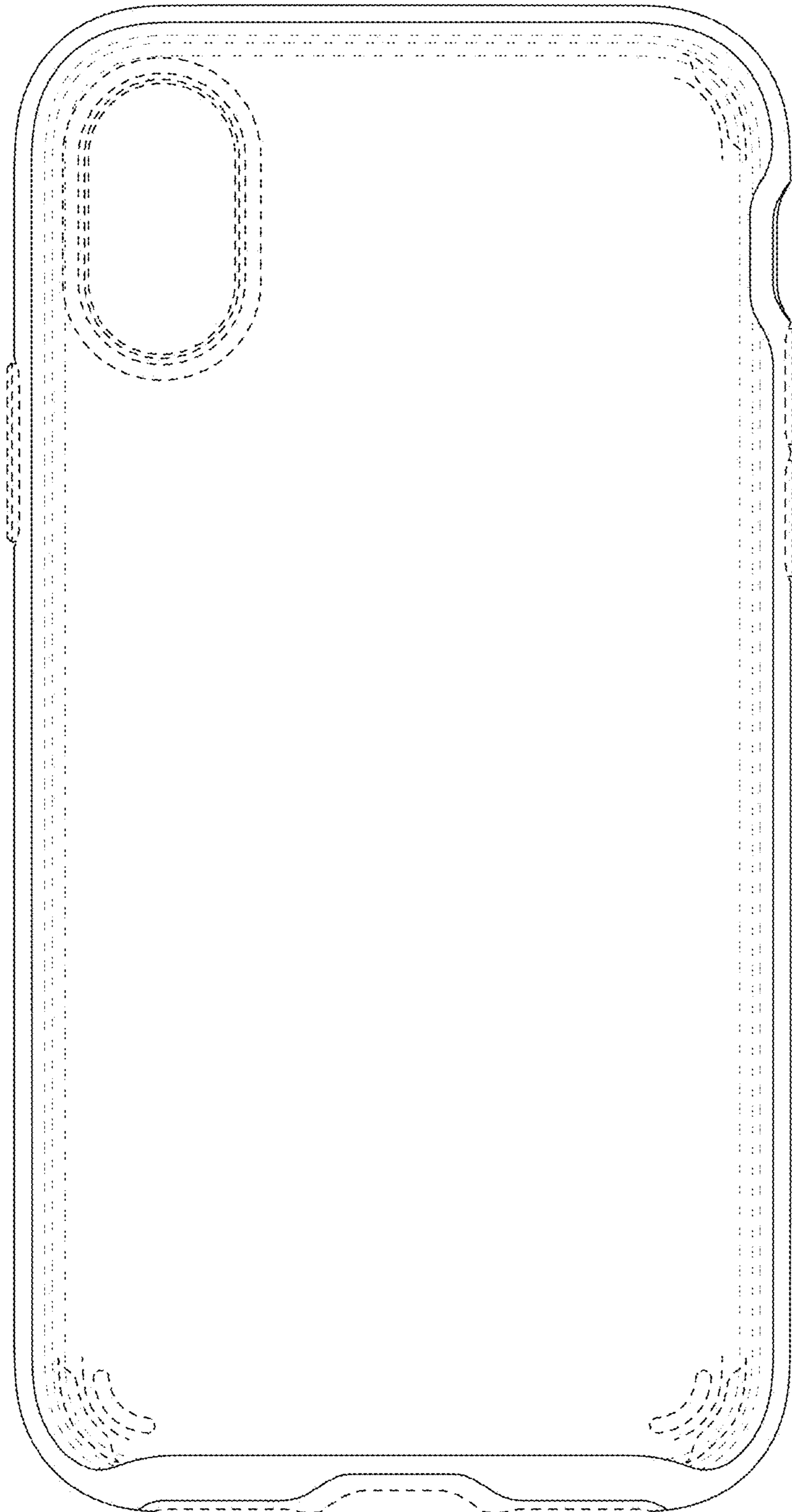


FIG. 5

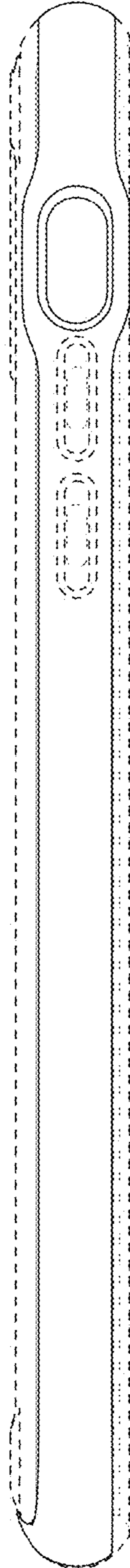


FIG. 6

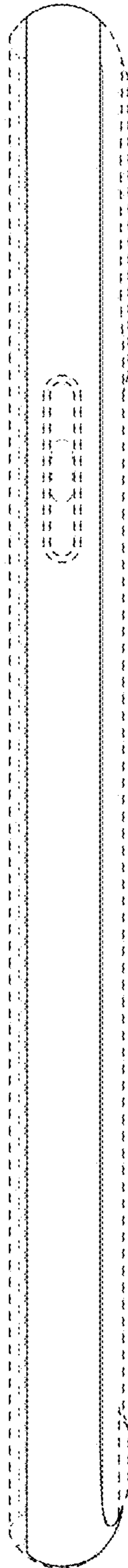


FIG. 7

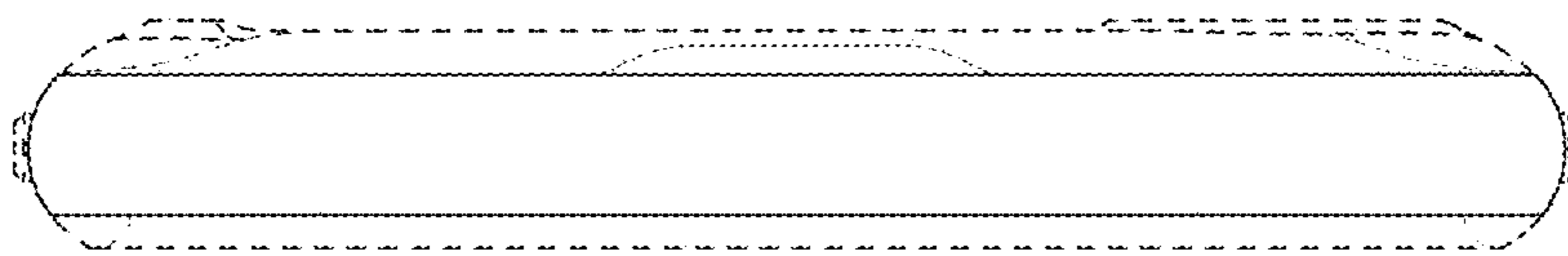


FIG. 8

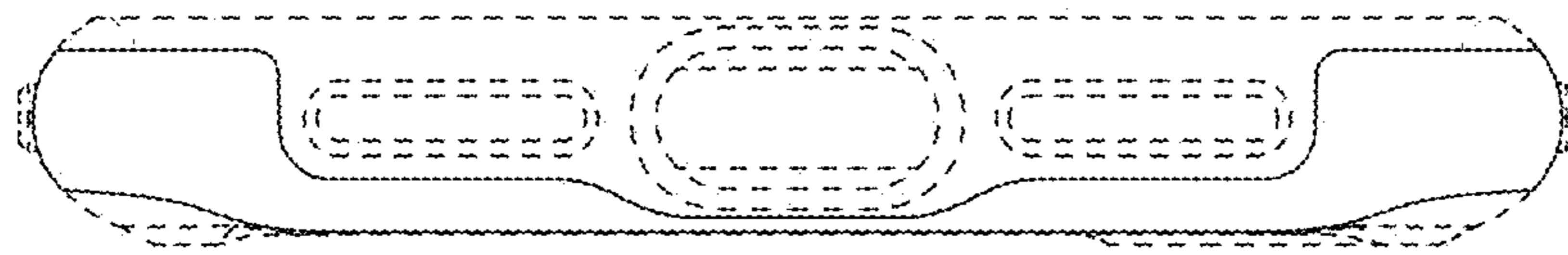


FIG. 9

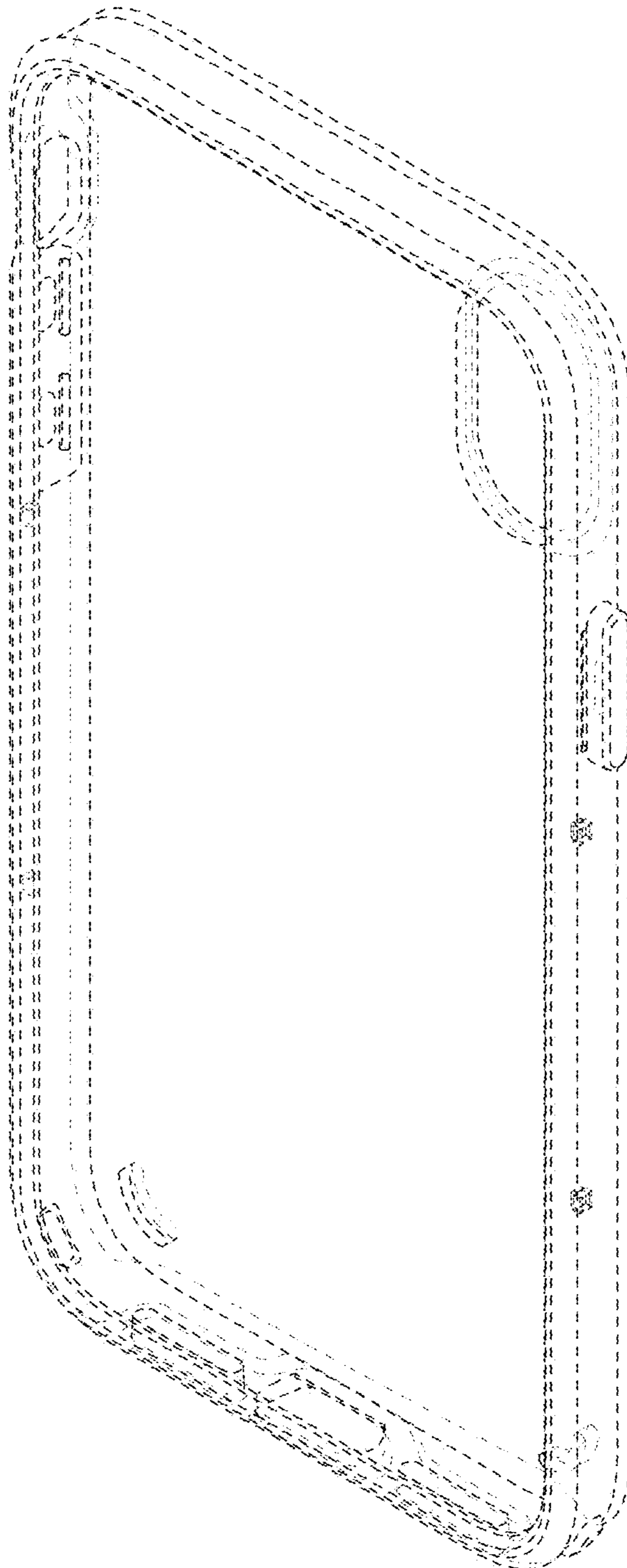


FIG. 10

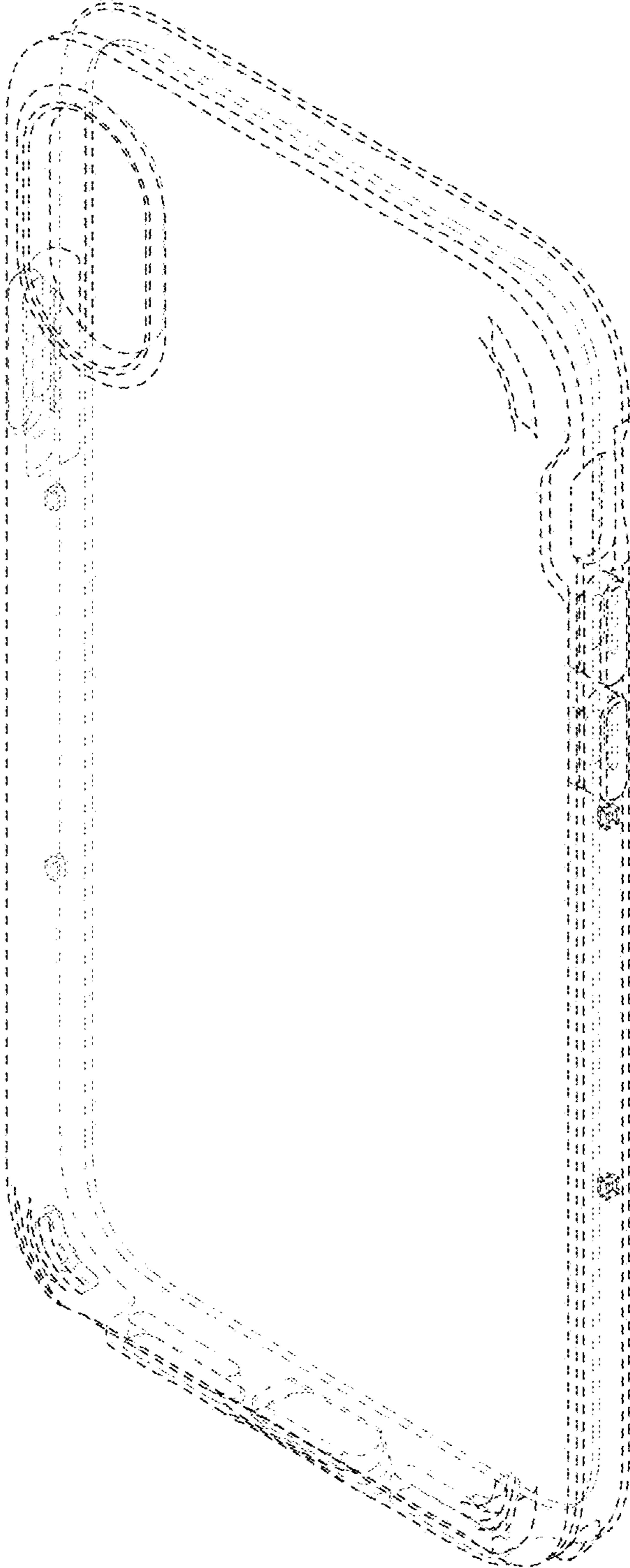


FIG. 11

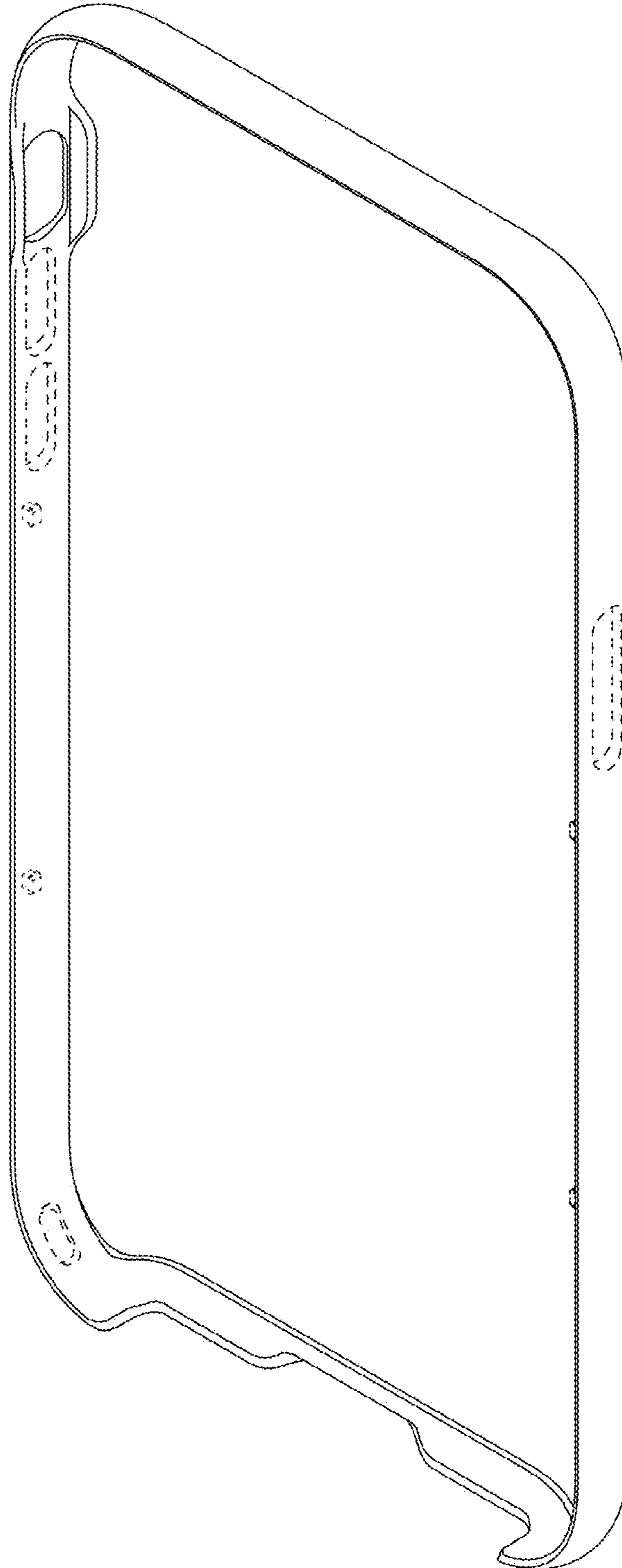


FIG. 12

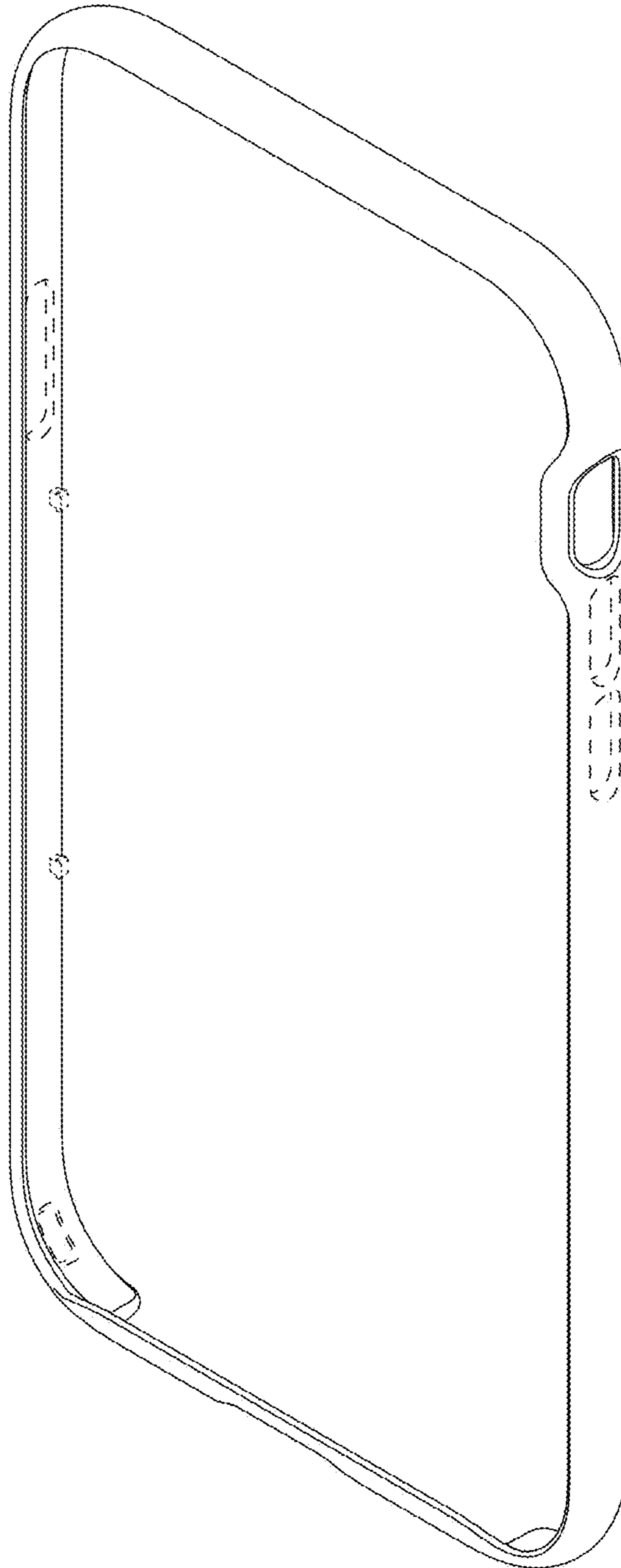


FIG. 13

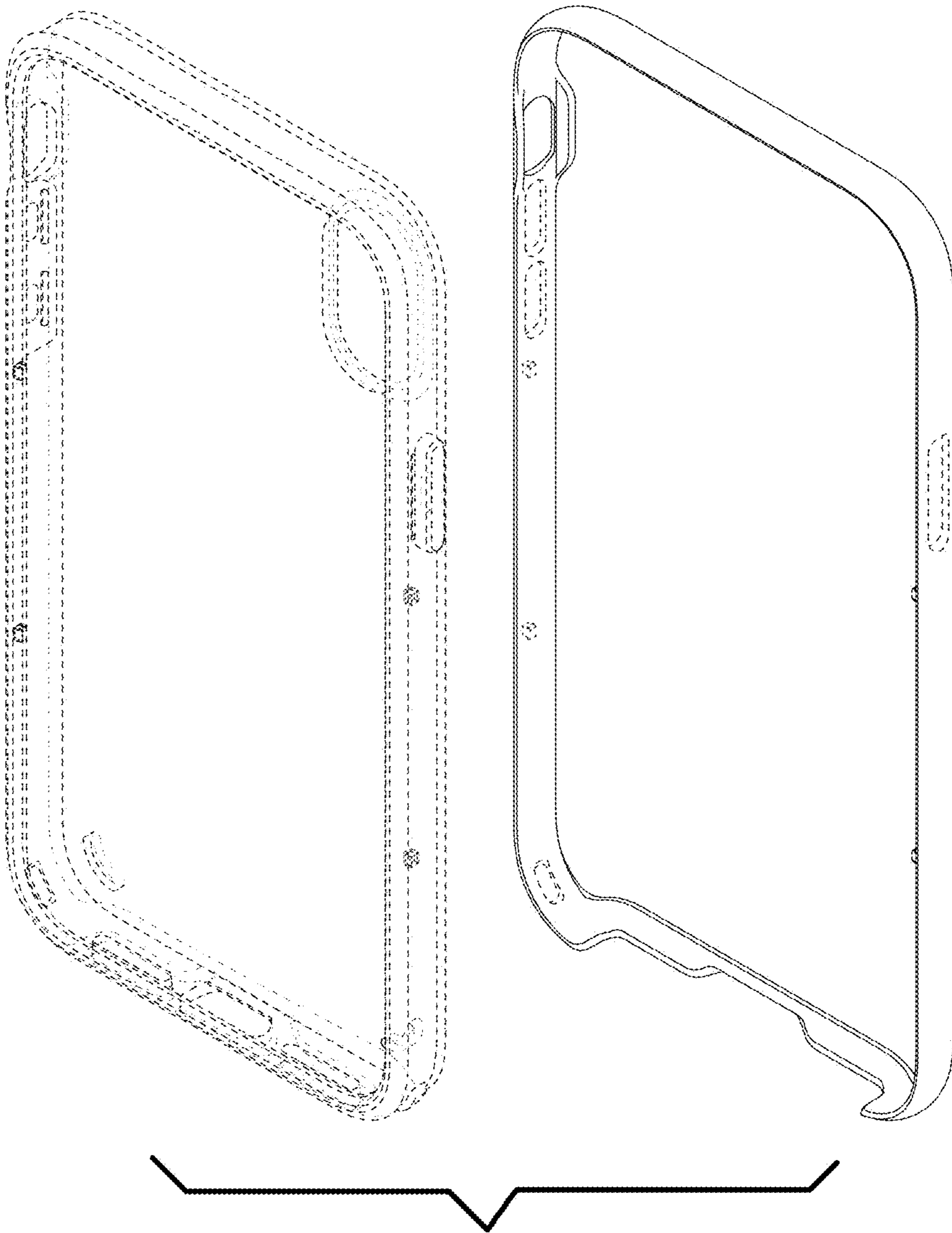


FIG. 14

