



US00D915375S

(12) **United States Design Patent** (10) **Patent No.:** **US D915,375 S**
Kim (45) **Date of Patent:** **** Apr. 6, 2021**

(54) **CASE FOR ELECTRONIC COMMUNICATIONS DEVICE**

(71) Applicant: **SPIGEN KOREA CO., LTD.**, Seoul (KR)

(72) Inventor: **Ji Hyun Kim**, Seoul (KR)

(73) Assignee: **SPIGEN KOREA CO., LTD.**, Seoul (KR)

(**) Term: **15 Years**

(21) Appl. No.: **29/691,379**

(22) Filed: **May 15, 2019**

Related U.S. Application Data

(63) Continuation of application No. 29/615,618, filed on Aug. 30, 2017, now Pat. No. Des. 854,534.

(51) **LOC (13) Cl.** **14-03**

(52) **U.S. Cl.**
USPC **D14/250**

(58) **Field of Classification Search**

USPC D3/201, 218, 226, 227, 247, 249, 250, D3/269, 303; D13/103, 107, 108, 119; D14/137, 138 R, 138 AA, 138 C, 138 G, D14/172, 192, 203.3–203.7, 217, 238.1, D14/247, 248, 250–253, 434, 440, 447, D14/496
CPC H04B 1/3888; H04M 1/0283; H04M 1/0202; A45C 1/06; A45C 2011/002; A45C 11/00; A45F 2005/028; A45F 2200/0525
See application file for complete search history.

(56) **References Cited**

U.S. PATENT DOCUMENTS

D528,110 S † 9/2006 Cohn D14/248
D575,056 S † 8/2008 Tan D3/201
D609,672 S † 2/2010 Lee D14/13
D632,685 S † 2/2011 Richardson D14/25

(Continued)

OTHER PUBLICATIONS

“Spigen Rugged Armor iPhone 8 Case / iPhone 7 Case with Resilient Shock Absorption and Carbon Fiber Design for Apple iPhone 8 (2017) / iPhone 7 (2016)—Black”, <https://www.amazon.co.uk/dp/B01GIVX7TA>, Date first available at Amazon.co.uk of Aug. 2, 2016.†

(Continued)

Primary Examiner — L. A. Grabenstetter

(74) *Attorney, Agent, or Firm* — Heedong Chae; Lucem, PC

(57) **CLAIM**

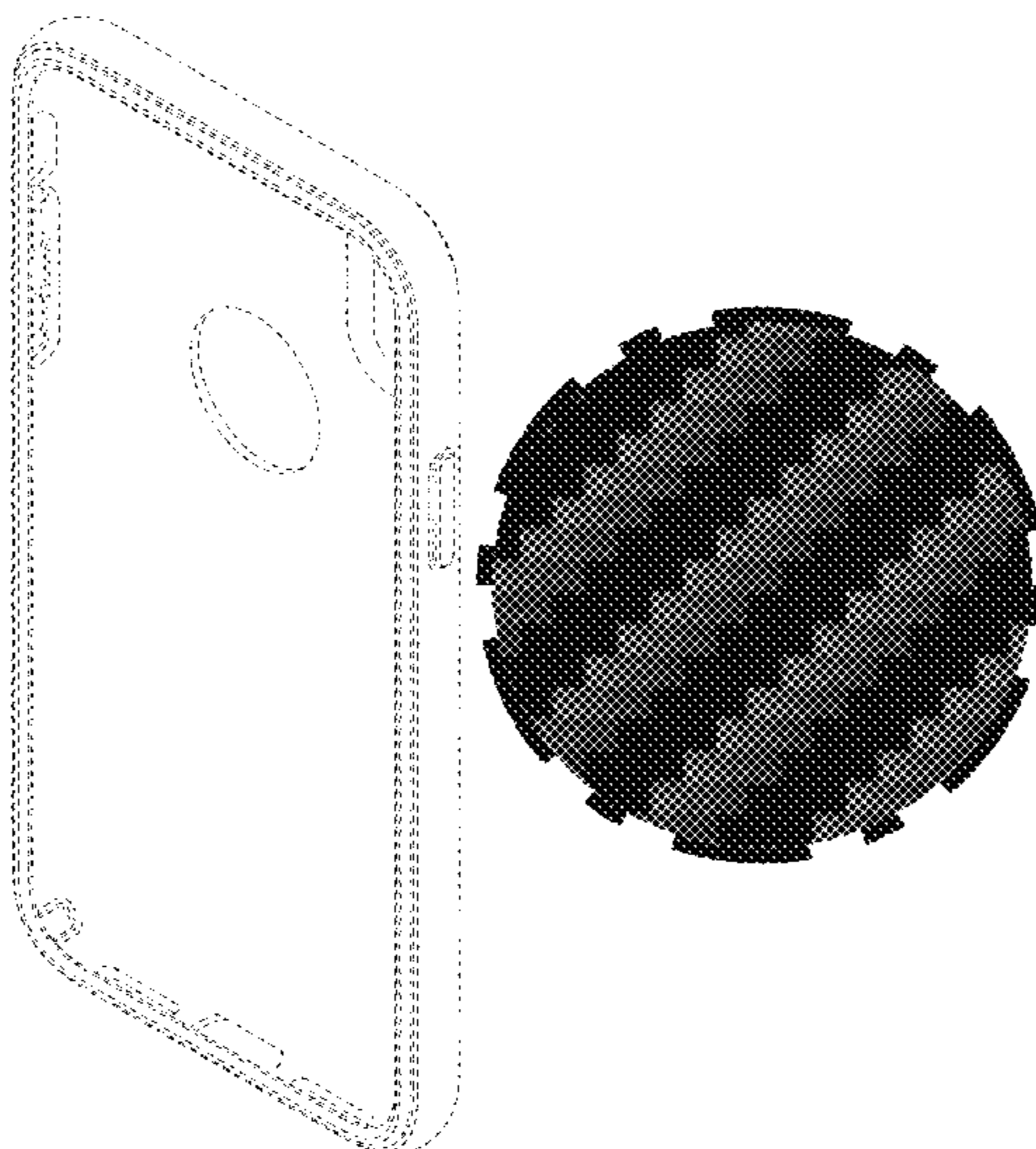
The ornamental design for a case for electronic communications device, as shown and described.

DESCRIPTION

FIG. 1 is a front perspective view of a case for electronic communications device showing my new design; FIG. 2 is a rear perspective view thereof; FIG. 3 is a front elevational view thereof; FIG. 4 is a rear elevational view thereof; FIG. 5 is a left side elevational view thereof; FIG. 6 is a right side elevational view thereof; FIG. 7 is a top plan view thereof; FIG. 8 is a bottom plan view thereof; and, FIG. 9 is a partial enlarged view showing the pattern design in FIG. 4.

The dot-dash broken lines in FIGS. 4 and 9 are for the purpose of illustrating the partially enlarged view and form no part of the claimed design. The broken lines, and unshaded surfaces bounded by broken lines, depict parts of the article’s appearance that form no part of the claimed design.

1 Claim, 9 Drawing Sheets



(56)

References Cited

U.S. PATENT DOCUMENTS

- D643,029 S † 8/2011 Feng D14/25
7,989,085 B2 † 8/2011 Li H04M 1/0283
174/50
D654,487 S † 2/2012 Weller D14/250
D657,782 S † 4/2012 Biller D14/25
D658,164 S † 4/2012 Chan D14/238.1
D664,133 S † 7/2012 Zheng D14/24
D668,646 S † 10/2012 Li
D669,071 S † 10/2012 Akana D14/34
D669,889 S † 10/2012 Li
D671,930 S † 12/2012 Akana D14/25
D673,547 S † 1/2013 Melanson D14/25
D676,036 S † 2/2013 Chang D14/25
D676,844 S † 2/2013 Weller D14/25
D678,907 S † 3/2013 Lee D14/20
D679,685 S † 4/2013 Cox D14/250
D679,697 S † 4/2013 Murchison D14/25
D679,698 S † 4/2013 Murchison D14/25
D681,022 S † 4/2013 Chang D14/25
D681,613 S † 5/2013 Magness D14/238.1
D682,259 S † 5/2013 Fahrendorff D14/250
D683,723 S † 6/2013 Murchison D14/25
D684,960 S † 6/2013 Murchison D14/25
D685,738 S † 7/2013 Moore D13/119
D685,776 S † 7/2013 Bau D14/25
D691,122 S † 10/2013 Bau D14/25
D691,124 S † 10/2013 Yang D14/25
D694,759 S † 12/2013 Chang et al.
D700,174 S † 2/2014 Li D14/24
D703,652 S † 4/2014 Melanson D14/25
D704,688 S † 5/2014 Reivo D14/25
D709,870 S † 7/2014 Lee D14/250
D712,386 S † 9/2014 Lu D14/25
D714,274 S † 9/2014 Jung D14/25
D714,276 S † 9/2014 Hu D14/25
D714,277 S † 9/2014 Hindaly D14/250
D715,787 S † 10/2014 Lee D14/250
D715,789 S † 10/2014 Yoon D14/250
D700,172 S † 11/2014 Loncar et al.
D716,783 S † 11/2014 Loncar et al.
D717,286 S † 11/2014 Veldkamp D14/25
D717,774 S † 11/2014 Fathollahi D14/25
D717,778 S † 11/2014 Zermeno D14/25
D718,292 S † 11/2014 Hemesath D14/25
D718,759 S † 12/2014 Barfoot D14/250
D721,065 S † 1/2015 Yoon D14/25
D721,067 S † 1/2015 Su D14/25
D721,686 S † 1/2015 Jacob et al.
D724,572 S † 3/2015 Wildner D14/250
D727,886 S † 4/2015 Bertrand D14/250
9,004,275 B2 † 4/2015 Lee A45C 11/00
206/32
D732,012 S † 6/2015 Tsai D14/250
D734,747 S † 7/2015 Seo et al.
9,143,181 B1 † 9/2015 Jia H04B 1/3888
D741,845 S † 10/2015 Kim D14/25
D743,389 S † 11/2015 Akana D14/25
D746,275 S † 12/2015 Mohammad D14/25
9,223,346 B2 † 12/2015 Wilson H04B 1/3888
D748,614 S † 2/2016 Ju D14/25
D749,068 S † 2/2016 Zaborski D14/25
D749,555 S † 2/2016 Poon D14/25
9,247,795 B2 † 2/2016 Kim A45C 11/00
D751,058 S † 3/2016 Cocchia D14/25
9,293,808 B1 † 3/2016 Roberts H01Q 1/2266
D753,099 S † 4/2016 Kim D14/25
D756,340 S † 5/2016 Babichenko D14/25
D757,699 S † 5/2016 Lee D14/24
D757,820 S † 5/2016 Leopardi et al.
D763,841 S † 8/2016 Kim D14/25
D764,476 S † 8/2016 Gleason, III D14/44
D765,628 S † 9/2016 Watt D14/250
D765,644 S † 9/2016 Witter D14/25
D767,553 S † 9/2016 Fathollahi D14/25
D767,554 S † 9/2016 Bertrand D14/250
D771,027 S † 11/2016 Prstojevič et al.
D771,607 S † 11/2016 Kim D14/25
D771,608 S † 11/2016 Kim D14/25
D772,209 S † 11/2016 Kim D14/25
D772,858 S † 11/2016 Hu D14/25
9,480,318 B2 † 11/2016 Stiehl B29C 45/1676
D774,498 S † 12/2016 Tao D14/25
D775,112 S † 12/2016 Hemesath D14/25
D775,614 S † 1/2017 Kim D14/25
D777,717 S † 1/2017 Kim D14/25
D778,271 S † 2/2017 Stump et al.
D779,470 S † 2/2017 Kim D14/25
D781,835 S † 3/2017 Kim D14/25
D781,837 S † 3/2017 Kim D14/25
D781,838 S † 3/2017 Kim D14/25
D782,460 S † 3/2017 Bertrand et al.
D786,853 S † 5/2017 Friedland et al.
D788,090 S * 5/2017 Kim D14/250
D800,104 S * 10/2017 Kim D14/250
D801,324 S * 10/2017 Kim D14/250
D801,325 S * 10/2017 Kim D14/250
D801,326 S * 10/2017 Kim D14/250
D807,336 S * 1/2018 Kim D14/250
D812,599 S * 3/2018 Hyun D14/250
D812,618 S † 3/2018 Altaras
D813,219 S * 3/2018 Hyun D14/250
D819,006 S * 5/2018 Kim D14/250
D824,377 S * 7/2018 Kim D14/250
D831,019 S * 10/2018 Kim D14/250
D831,020 S * 10/2018 Kim D14/250
D832,833 S † 11/2018 Kim
D837,196 S * 1/2019 Kim D14/250
D837,777 S * 1/2019 Yun D14/250
D837,778 S * 1/2019 Yun D14/250
D837,779 S * 1/2019 Kim D14/250
D838,709 S * 1/2019 Yun D14/250
D839,861 S * 2/2019 Kim D14/250
D840,991 S † 2/2019 Kim
D840,993 S * 2/2019 Kim D14/250
D841,637 S † 2/2019 Kim
D845,290 S † 4/2019 Brubaker et al.
D849,736 S * 5/2019 Kim D14/250
D849,737 S * 5/2019 Kim D14/250
D852,181 S * 6/2019 Kim D14/250
D854,002 S * 7/2019 Kim D14/250
D854,003 S * 7/2019 Kim D14/250
D854,534 S * 7/2019 Kim D14/250
D860,186 S * 9/2019 Hyun D14/250
2016/0101902 A1 † 4/2016 Kim F16M 11/00
206/45
2016/0204817 A1 † 7/2016 Kim H04B 1/3888
455/57
2016/0285301 A1 † 9/2016 Kim H02J 7/025

OTHER PUBLICATIONS

- “Spigen Rugged Armor Galaxy S6 Edge Case with Flexible and Durable Shock Absorption with Carbon Fiber Design for Samsung Galaxy S6 Edge (2015)—Black”, <https://www.amazon.com/dp/B00SVCITW0>, Earliest review date of Mar. 13, 2015. †
“Spigen Rugged Armor Galaxy S7 Edge Case with Flexible and Durable Shock Absorption with Carbon Fiber Design for Samsung Galaxy S7 Edge (2016)—Black”, <https://www.amazon.com/dp/B01A7IDHOU>, Earliest review date of Feb. 28, 2016. †
“Spigen Rugged Armor Galaxy A5 Case with Resilient Shock Absorption and Carbon Fiber Design for Galaxy A5—Black”, <https://www.amazon.com/dp/B018J07A46>, Earliest review date of Mar. 18, 2016. †
“Spigen Rugged Armor Galaxy S6 Case with Resilient Shock Absorption and Carbon Fiber Design for Galaxy S6 2015—Black”, <https://www.amazon.com/dp/B00T6P05ZK>, Earliest review date of Mar. 10, 2015. †
“Spigen Rugged Armor Huawei P8 Lite Case with Resilient Shock Absorption and Carbon Fiber Design for Huawei P8 Lite (2015)—Black”, <https://www.amazon.com/dp/B01DL0DME6>, Earliest review date of Jun. 1, 2016. †

(56)

References Cited

OTHER PUBLICATIONS

“Spigen Rugged Armor iPhone 6S Case with Resilient Shock Absorption and Carbon Fiber Design for iPhone 6S/iPhone 6—Black”, <https://www.amazon.com/dp/B010MVJM5K>, Earliest review date of Sep. 3, 2015.‡

“Spigen Rugged Armor OnePlus 3 Case/OnePlus 3T Case with Resilient Shock Absorption and Carbon Fiber Design for OnePlus 3 2016—Black”, <https://www.amazon.com/dp/B01H3PEWDK>, Earliest review date of Jul. 28, 2016.‡

“Spigen Rugged Armor HTC 10 Case with Resilient Shock Absorption and Carbon Fiber Design for HTC 10 2016—Black”, <https://www.amazon.com/dp/B01DAN1T4E>, Earliest review date of May 4, 2016.‡

“Spigen Rugged Armor Samsung Galaxy S7 Case with Resilient Shock Absorption and Carbon Fiber Design for Samsung Galaxy S7 2016—Black”, <https://www.amazon.com/dp/B01A7ICWTQ>, Earliest review date of Feb. 25, 2016.‡

Top 20 best iphone 6s cases: The Heavy Power list, posted at Heavy.com, postingdate Sep. 15, 2015, [online], [site visited Oct. 2, 2017]. Available from Internet, (URL: <https://heavy.com/tech/2015/09/top-best-iphone-6s-cases-cute-wallet-battery-waterproof-water-resistance/>) (Year: 2015).‡

“Spigen Rugged Armor Galaxy S6 Case with Resilient Shock Absorption and Carbon Fiber Design for Galaxy S6 2015—Black”, <https://www.amazon.com/dp/B00T6P05ZK>, Earliest review date of Mar. 10, 2015, Downloaded on Jul. 17, 2018.

“Spigen Rugged Armor Galaxy S6 Edge Case with Flexible and Durable Shock Absorption with Carbon Fiber Design for Samsung Galaxy S6 Edge (2015)—Black”, <https://www.amazon.com/dp/B00SVCITW0>, Earliest review date of Mar. 13, 2015, Downloaded on Jul. 17, 2018.

“Rugged Armor Designed for Apple Watch Case for 42mm Series 3/Series 2/1/Original (2015)—Black”, <https://www.amazon.com/dp/B00UVSNQPM>, Earliest review date of Apr. 30, 2015, Downloaded Jan. 15, 2019.

“Spigen Rugged Armor Galaxy Note 5 Case with Resilient Shock Absorption and Carbon Fiber Design for Galaxy Note 5 2015—Black”, <https://www.amazon.com/dp/B010MWFUBY>, Earliest review date of Aug. 23, 2015, Downloaded on Jul. 17, 2018.

“Spigen Rugged Armor iPhone 6S Case with Resilient Shock Absorption and Carbon Fiber Design for iPhone 6S/Phone 6—Black”, <https://www.amazon.com/dp/B010MVJM5K>, Earliest review date of Sep. 3, 2015, Downloaded on Jul. 17, 2018.

“Spigen Rugged Armor iPhone 6S Plus Case with Resilient Shock Absorption and Carbon Fiber Design for iPhone 6S Plus 2015—Black”, <https://www.amazon.com/dp/B010MVR76Q>, Earliest review date of Sep. 7, 2015, Downloaded on Jul. 17, 2018.

“Spigen Tough Armor TECH iPhone 6S Case with Extreme Shock and Drop Protection for Apple iPhone 6 / 6S—Gunmetal”, <https://www.amazon.com/Spigen-Tough-iPhone-Extreme-Protection/dp/B013TKNSIS>, Earliest review date of Oct. 3, 2015, Downloaded on Jan. 15, 2019.

“Spigen Rugged Armor iPhone SE Case with Resilient Shock Absorption and Carbon Fiber Design for iPhone SE 2016—Black”, <https://www.amazon.com/Spigen-Rugged-iPhone-Resilient-Absorption/dp/B01BEDNUDK>, Earliest review date of Apr. 10, 2016, Downloaded on Jan. 15, 2019.

“Spigen Rugged Armor Honor 5X Case with Resilient Shock Absorption and Carbon Fiber Design for Huawei Honor 5X—Black”, <https://www.amazon.com/Spigen-Rugged-Resilient-Absorption-Carbon/dp/B01DJHXXD2>, Earliest review date of May 1, 2016, Downloaded on Jan. 15, 2019.

“Spigen Rugged Armor HTC 10 Case with Resilient Shock Absorption and Carbon Fiber Design for HTC 10 2016—Black”, <https://www.amazon.com/dp/B01DAN1T4E>, Earliest review date of May 4, 2016, Downloaded on Jul. 18, 2018.

“Spigen Rugged Armor Huawei P8 Lite Case with Resilient Shock Absorption and Carbon Fiber Design for Huawei P8 Lite (2015)—Black”, <https://www.amazon.com/dp/B01DL0DME6>, Earliest review date of Jun. 1, 2016, Downloaded on Jul. 18, 2018.

“Spigen Rugged Armor OnePlus 3 Case/OnePlus 3T Case with Resilient Shock Absorption and Carbon Fiber Design for OnePlus 3 2016—Black”, <https://www.amazon.com/dp/B01H3PEWDK>, Earliest review date of Jul. 28, 2016, Downloaded on Jul. 17, 2018.

“Spigen Rugged Armor iPhone 8 Plus/iPhone 7 Plus Case with Resilient Shock Absorption and Carbon Fiber Design for Apple iPhone 8 Plus (2017)/iPhone 7 Plus (2016)—Black”, <https://www.amazon.com/dp/B01GIWGAAC>, Earliest review date of Sep. 2, 2016, Downloaded on Jul. 17, 2018.

“Spigen Rugged Armor Huawei P9 Lite Case with Resilient Shock Absorption and Carbon Fiber Design for Huawei P9 Lite—Black”, <https://www.amazon.com/B01DL0DJGM>, Earliest review date of Sep. 6, 2016, Downloaded on Jul. 18, 2018.

“Spigen Rugged Armor iPhone 8 Case/iPhone 7 Case with Resilient Shock Absorption and Carbon Fiber Design for Apple iPhone 8 (2017)/iPhone 7 (2016)—Black”, <https://www.amazon.com/dp/B01GIVX7TA>, Earliest review date of Sep. 11, 2016, Downloaded on Jul. 17, 2018.

“Spigen Rugged Armor Google Pixel XL Case with Resilient Shock Absorption and Carbon Fiber Design for Google Pixel XL 2016—Black”, <https://www.amazon.com/dp/B01M1EEXWJ>, Earliest review date of Oct. 2, 2016, Downloaded on Jul. 17, 2018.

“Spigen Rugged Armor LG V20 Case with Resilient Shock Absorption and Carbon Fiber Design for LG V20 2016—Black”, <https://www.amazon.com/dp/B01M0HW9P4>, Earliest review date of Oct. 19, 2016, Downloaded on Jul. 18, 2018.

“Spigen Rugged Armor Honor 8 Case with Resilient Shock Absorption for Huawei Honor 8 2016—Black”, <https://www.amazon.com/dp/B01LXTROW1>, Earliest review date of Oct. 20, 2016, Downloaded on Jul. 18, 2018.

“Spigen Rugged Armor Moto Z Droid Case with Resilient Shock Absorption and Carbon Fiber Design for Moto Z Droid 2016—Black”, <https://www.amazon.com/dp/B01HCAQMBQ>, Earliest review date of Dec. 9, 2016, Downloaded on Jul. 17, 2018.

“Spigen Rugged Armor ZenFone 3 Max Case (ZC520TL) with Resilient Shock Absorption and Carbon Fiber Design for ASUS ZenFone 3 Max (ZC520TL)—Black”, <https://www.amazon.com/dp/B01MSDJQ7C>, Earliest review date of Mar. 9, 2017, Downloaded on Jul. 18, 2018.

“Spigen Rugged Armor LG G6 Case/G6 Plus Case with Resilient Shock Absorption and Carbon Fiber Design for LG G6/G6 Plus (2017)—Black”, <https://www.amazon.com/dp/B01MUCZILA>, Earliest review date of Mar. 30, 2017, Downloaded on Jul. 18, 2018.

“Spigen Rugged Armor Huawei P10 Plus Case with Resilient Shock Absorption and Carbon Fiber Design for Huawei P10 Plus(2017)—Rugged Armor”, <https://www.amazon.com/dp/B06XFZW779>, Earliest review date of May 26, 2017, Downloaded on Jul. 18, 2018.

“Spigen Rugged Armor Galaxy J7 2017 Case, J7 Prime, J7 2017(AT & T), J7 Sky Pro, J7 Perx case with Resilient Shock Absorption and Carbon Fiber Design for Samsung Galaxy J7 V 2017—Black”, <https://www.amazon.com/Spigen-Rugged-Resilient-Absorption-Samsung/dp/B06WRRF36B>, Earliest review date of May 31, 2017, Downloaded on Jan. 15, 2019.

“Spigen Rugged Armor Huawei P10 Lite Case with Resilient Shock Absorption and Carbon Fiber Design for Huawei P10 Lite (2017)—Black”, <https://www.amazon.com/dp/B06XCNQ3S4>, Earliest review date of Jun. 7, 2017, Downloaded on Jul. 18, 2018.

“Spigen Rugged Armor Huawei P10 Case with Resilient Shock Absorption and Carbon Fiber Design for Huawei P10 (2017)—Black”, <https://www.amazon.com/dp/B06XCTQR1W>, Earliest review date of Jun. 8, 2017, Downloaded on Jul. 18, 2018.

“Spigen Rugged Armor HTC U11 Case with Resilient Shock Absorption and Carbon Fiber Design for HTC U 11 (2017)—Black”, <https://www.amazon.com/dp/B07234FLGX>, Earliest review date of Jun. 17, 2017, Downloaded on Jul. 18, 2018.

“Spigen Rugged Armor Huawei P8 Lite 2017 Case with Resilient Shock Absorption and Carbon Fiber Design for Huawei P8 Lite (2017)/nova lite/P9 lite 2017/Honor 8 lite—Black”, <https://www.amazon.com/dp/B06XFVXMLN>, Earliest review date of Jun. 24, 2017, Downloaded on Jul. 18, 2018.

“Spigen Rugged Armor Sony Xperia XZ Premium Case with Resilient Shock Absorption and Carbon Fiber Design for Sony

(56)

References Cited

OTHER PUBLICATIONS

Xperia XZ Premium (2017)—Black”, <https://www.amazon.com/dp/B072PRXPQC>, Earliest review date of Jul. 14, 2017, Downloaded on Jul. 18, 2018.

“Spigen Rugged Armor OnePlus 5 Case with Resilient Shock Absorption and Carbon Fiber Design for OnePlus 5 (2017)—Black”, <https://www.amazon.com/dp/B06XG19W3G>, Earliest review date of Jul. 25, 2017, Downloaded on Jul. 17, 2018.

“Spigen Rugged Armor Moto Z2 Play Case with Resilient Shock Absorption and Carbon Fiber Design for Moto Z2 Play—Black”, <https://www.amazon.com/dp/B071WR4H9V>, Earliest review date of Jul. 27, 2019, Downloaded on Jul. 17, 2018.

“Caseology Vault for Apple iPhone 8 Case (2017) / for iPhone 7 Case (2016)—Rugged & Flexible—Matte Black”, <https://www.amazon.com/dp/B01JSZOJ7M>, Earliest review date of Sep. 10, 2016, Downloaded on Jan. 16, 2020.

“The best iPhone 7 & 7 Plus cases available now”, <https://9to5mac.com/2016/09/07/best-iphone-7-7-plus-cases-accessories-available-now/>, Earliest review date of Sep. 17, 2016, Downloaded on Mar. 18, 2020.

“Caseology Vault for Google Pixel Case (2016)—Rugged & Flexible—Black”, <https://www.amazon.com/dp/B01MEDIMGS>, Earliest review date of Nov. 10, 2016, Downloaded on Jan. 16, 2020.

“Caseology Vault for Apple iPhone 7 Plus Case (2016)—Rugged Matte Finish—Black”, <https://www.amazon.com/dp/B01N2OCQV4>, Earliest review date of Dec. 16, 2016, Downloaded on Jan. 16, 2020.

“Caseology Vault for LG G6 Case (2017)—Rugged Matte Finish—Black”, <https://www.amazon.com/dp/B06W52JLH>, Earliest review date of Mar. 28, 2017, Downloaded on Jan. 16, 2020.

“Caseology Nero Tough for iPhone 8 Plus Case (2017) / iPhone 7 Plus Case (2016)—360 Protection—Black”, <https://www.amazon.com/dp/B07534JMM2>, Earliest review date of Aug. 23, 2017, Downloaded on Nov. 19, 2019.

* cited by examiner

‡ imported from a related application

FIG. 1

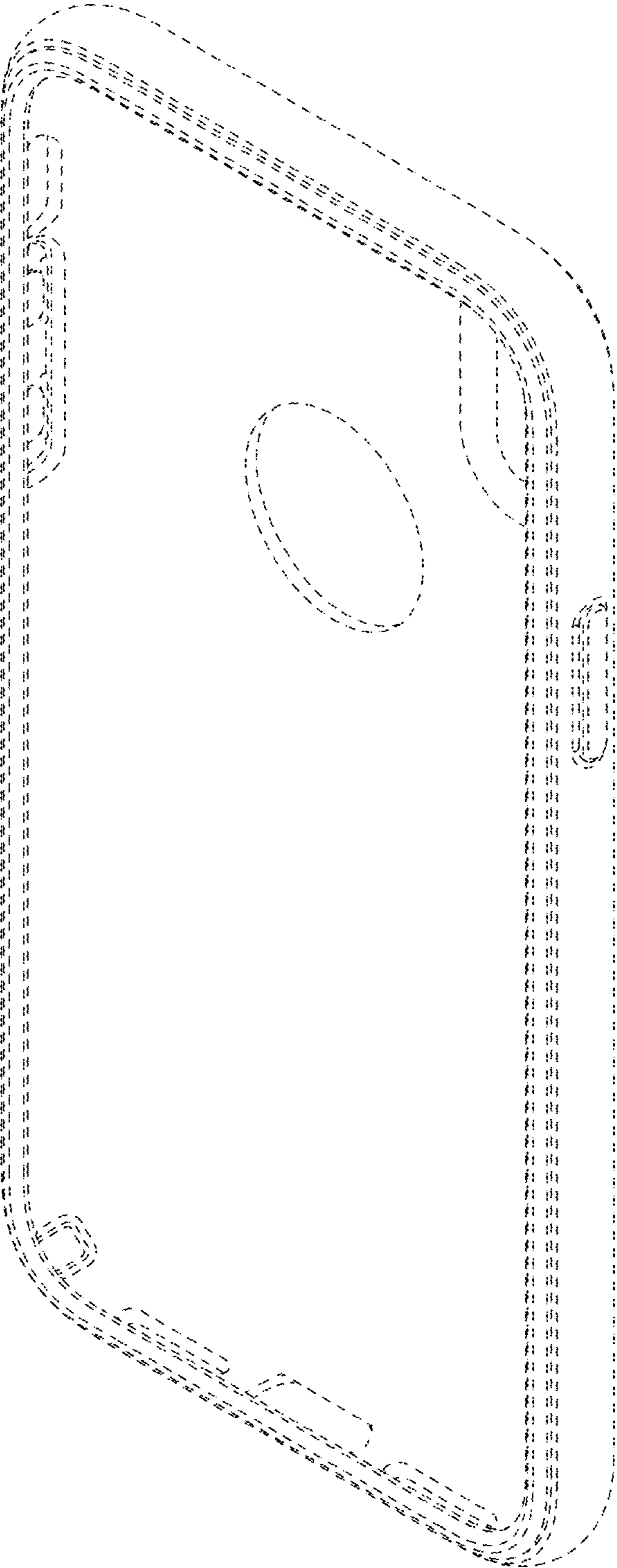


FIG. 2

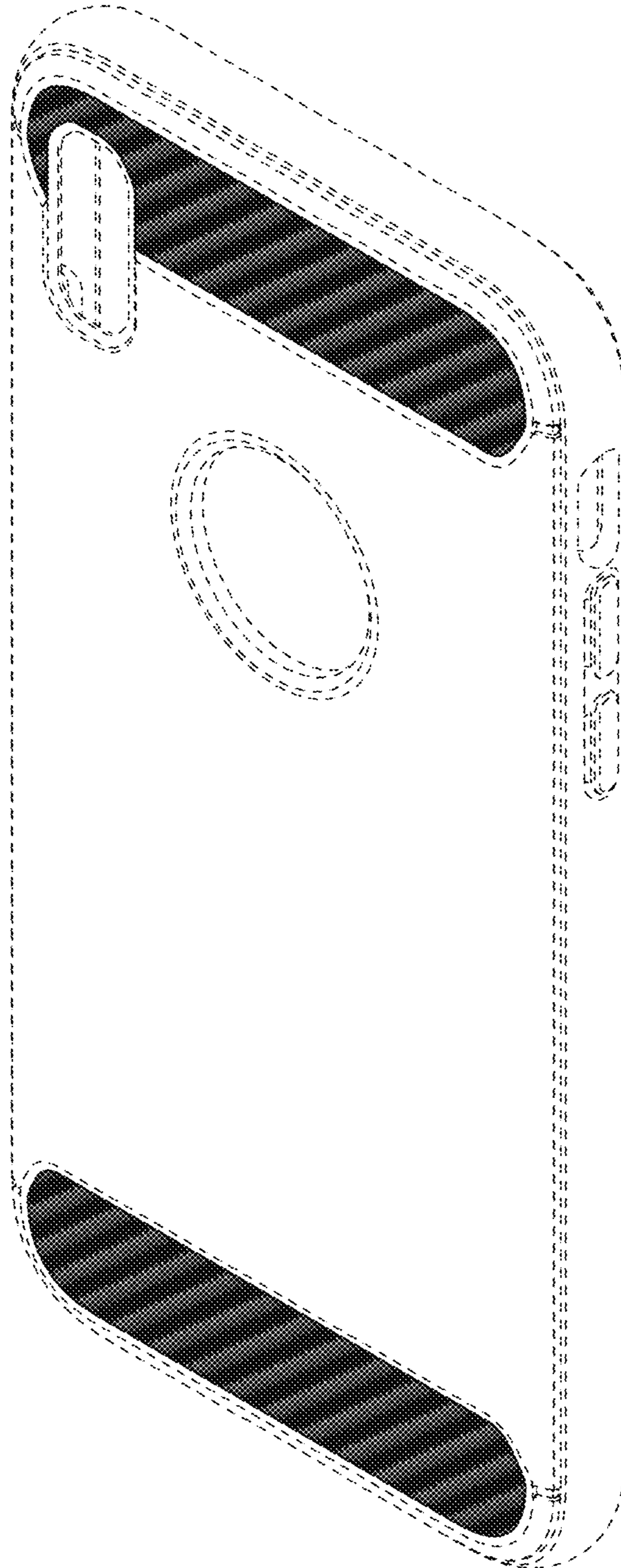


FIG. 3

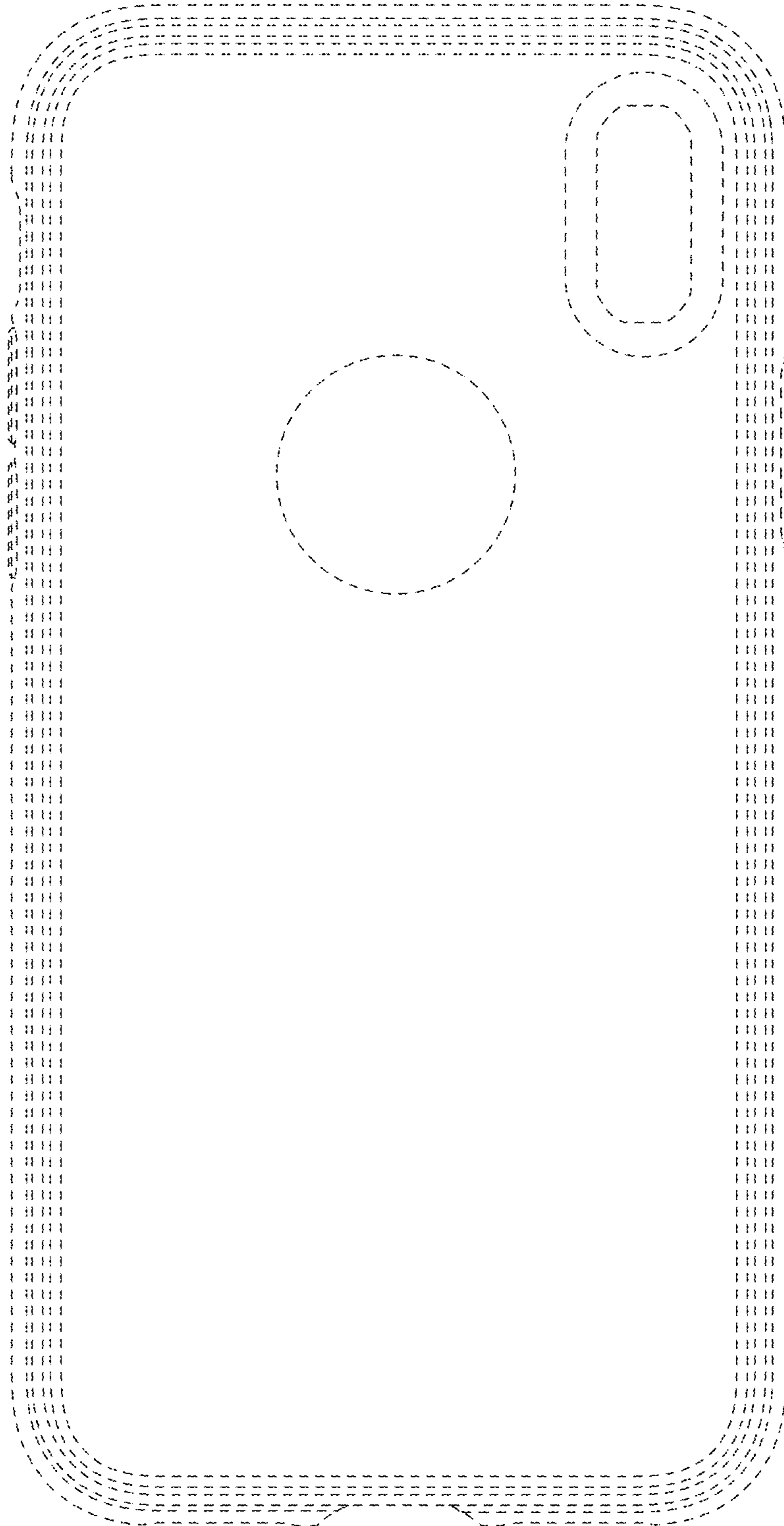


FIG. 4

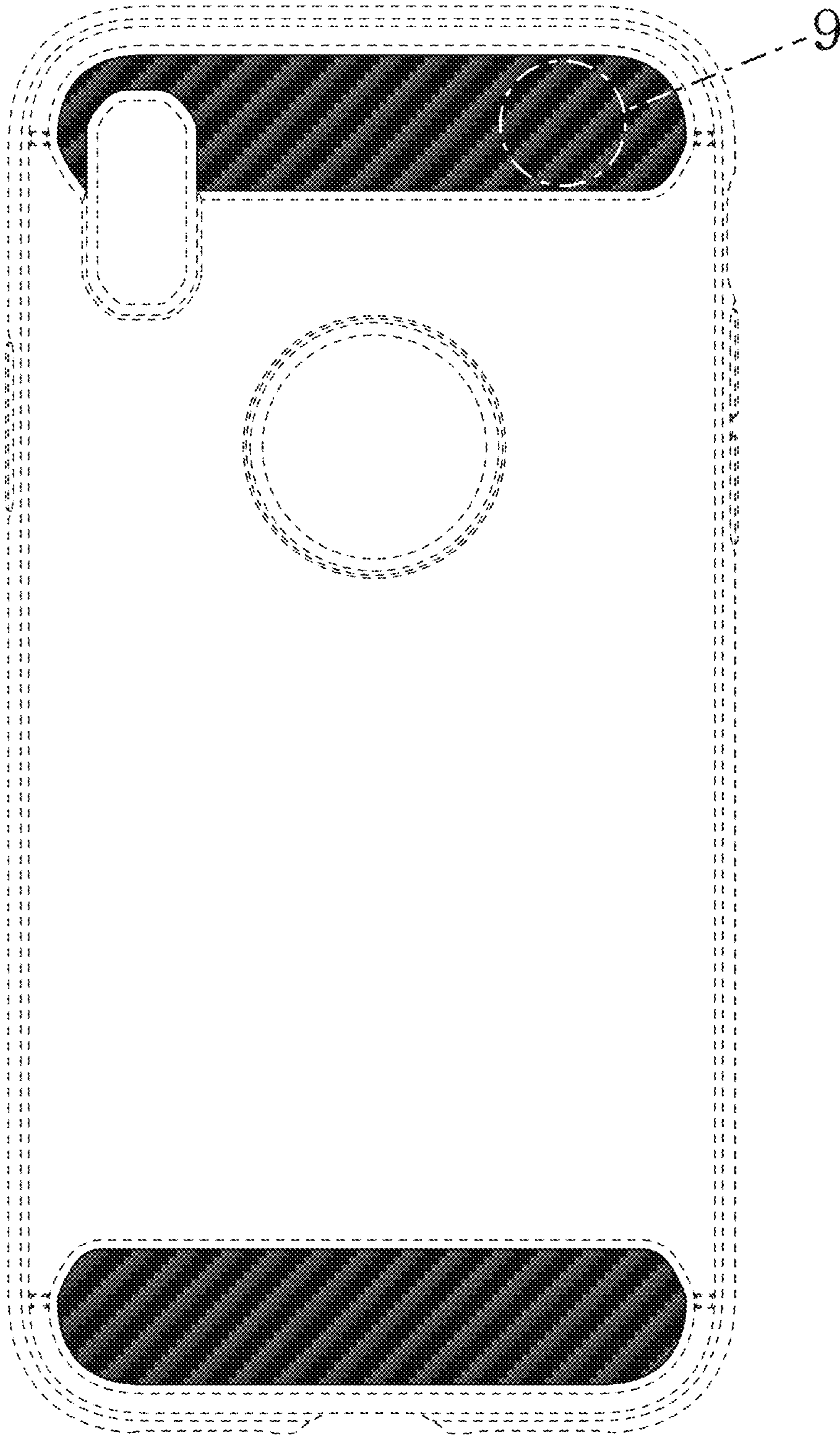


FIG. 5

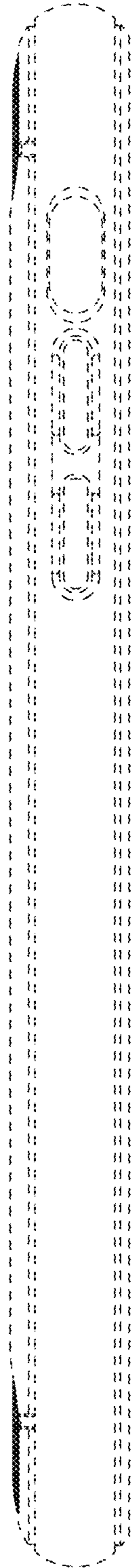


FIG. 6

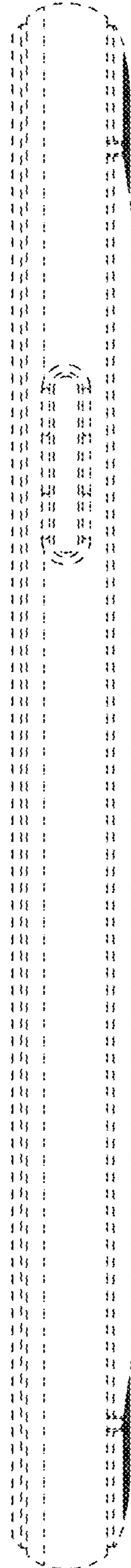


FIG. 7

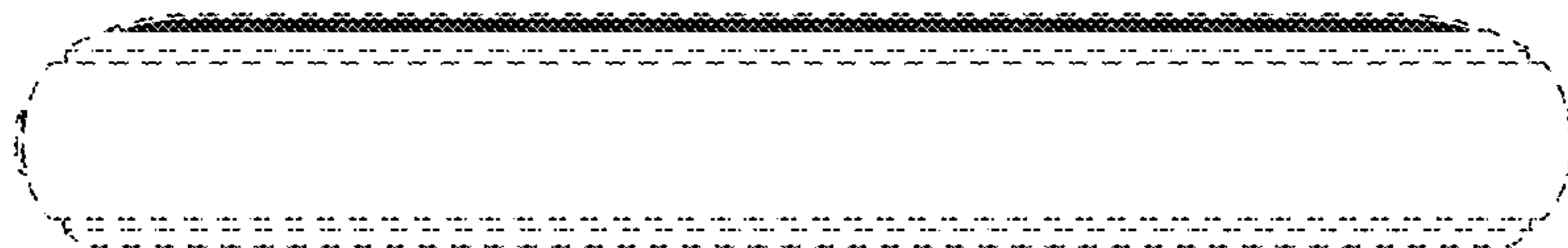


FIG. 8

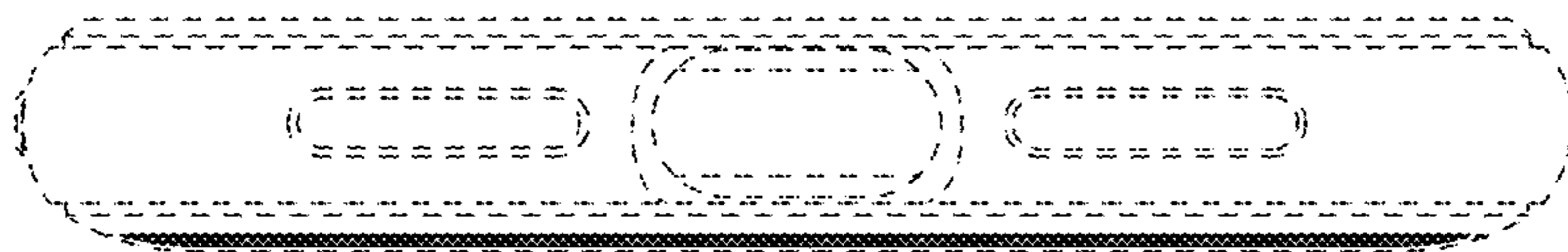


FIG. 9

