



US00D915373S

(12) **United States Design Patent**  
**Zhou**

(10) **Patent No.:** **US D915,373 S**  
(45) **Date of Patent:** **\*\* Apr. 6, 2021**

(54) **WATERPROOF PHONE CASE**

- (71) Applicant: **Cornmi Industrial Technology Co., Ltd.**, City of Industry, CA (US)
- (72) Inventor: **Wei Zhou**, City of Industry, CA (US)
- (73) Assignee: **Cornmi Industrial Technology Co., Ltd.**, City of Industry, CA (US)

(\*\*) Term: **15 Years**

(21) Appl. No.: **29/658,190**

(22) Filed: **Jul. 30, 2018**

(51) **LOC (13) Cl.** ..... **14-03**

(52) **U.S. Cl.**  
USPC ..... **D14/250**

(58) **Field of Classification Search**  
 USPC ..... D3/201, 212, 218, 226, 227, 247, 249, D3/250, 269, 303; D13/103, 107, 108, D13/119; D14/137, 138 R, 138 AA, D14/138 C, 138 G, 172, 192, D14/203.3-203.7, 217, 238.1, 247, 248, D14/250-253, 434, 440, 447, 496  
 CPC ..... H04B 1/3888; H04M 1/0283; H04M 1/0202; A45C 1/06; A45C 2011/002; A45C 11/00; A45F 2005/028; A45F 2200/0525

See application file for complete search history.

(56) **References Cited**

**U.S. PATENT DOCUMENTS**

- 2,836,288 A \* 5/1958 Atchison ..... A24F 15/18 206/89
  - D539,530 S \* 4/2007 Sanderson ..... D3/218
- (Continued)

**FOREIGN PATENT DOCUMENTS**

- CN 201630543561 \* 1/2017
- CN 201630616631 \* 6/2017
- CN 201630622110 \* 6/2017

**OTHER PUBLICATIONS**

iPhone 6/6S waterproof case on Conmi fans facebook page, publication date Jun. 25, 2017, [online][site visited Sep. 2, 2020] URL: <https://www.facebook.com/Cornmi.fans/> (Year: 2017).\*

(Continued)

*Primary Examiner* — L. A. Grabenstetter

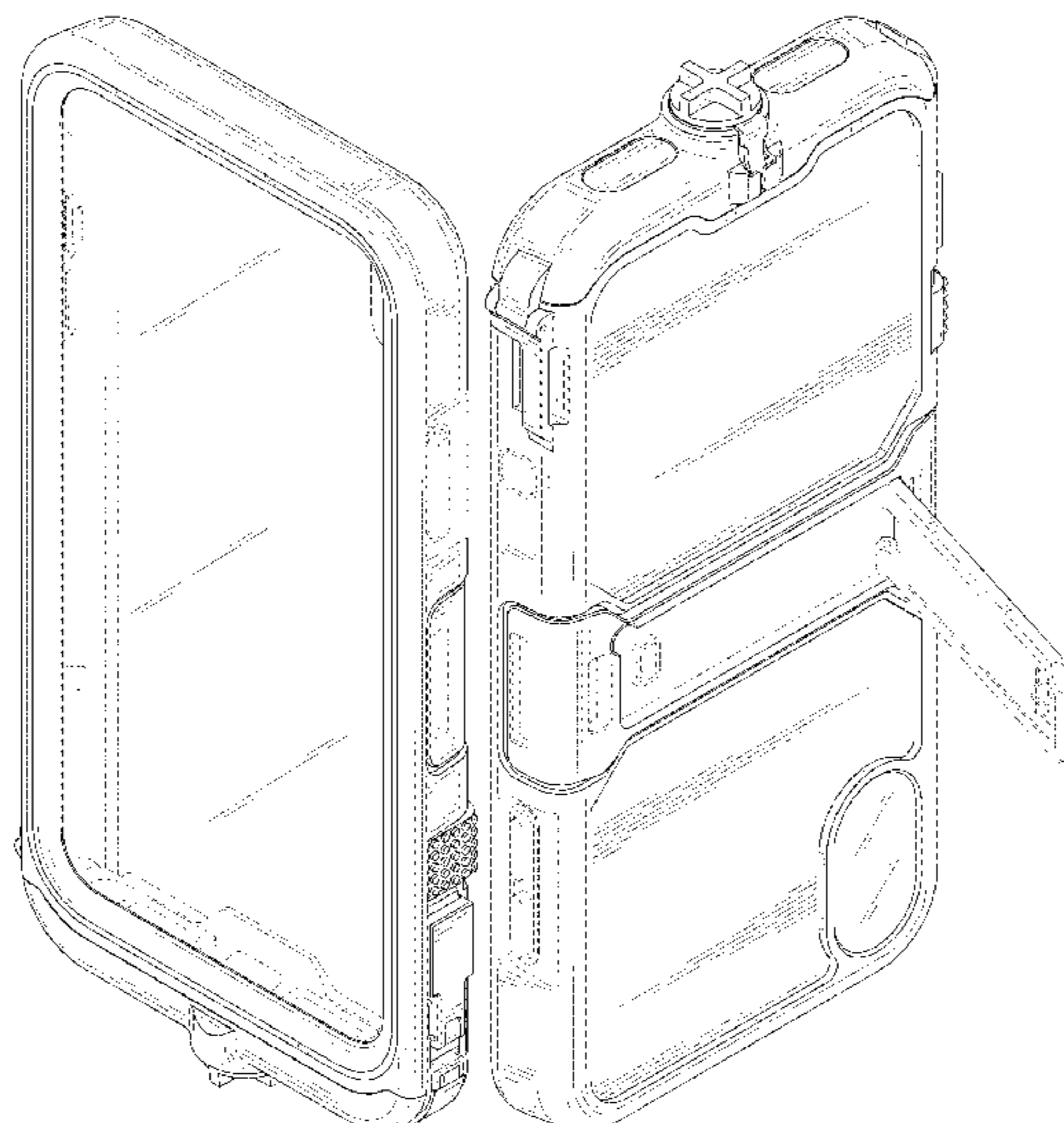
(57) **CLAIM**

The ornamental design for a waterproof phone case, as shown and described.

**DESCRIPTION**

FIG. 1 is a top, front and right side perspective view of a waterproof phone case showing my new design;  
 FIG. 2 is a bottom, rear and left side perspective view thereof;  
 FIG. 3 is a front elevational view thereof;  
 FIG. 4 is a rear elevational view thereof;  
 FIG. 5 is a left side view thereof;  
 FIG. 6 is a right side view thereof;  
 FIG. 7 is a top plan view thereof;  
 FIG. 8 is a bottom plan view thereof;  
 FIG. 9 is a bottom, rear and left side perspective view showing the waterproof phone case with a snap-fit mechanism opened;  
 FIG. 10 is a rear and right side perspective view showing a snap-fit attachment mounted on the waterproof phone case; and,  
 FIG. 11 is another rear and right side perspective view showing an armband connecting with the snap-fit attachment on the waterproof phone case in a use state.  
 The broken lines on the sides and interior of the waterproof phone case depict portions of the article that form no part of the claimed design.  
 The broken lines in FIGS. 10 and 11 in the drawings depicting the snap-fit attachment and the armband represent environmental subject matter that forms no part of the claimed design.

**1 Claim, 11 Drawing Sheets**



(56)

**References Cited**

U.S. PATENT DOCUMENTS

D613,282 S \* 4/2010 Richardson ..... D14/250  
 D653,640 S \* 2/2012 Kwon ..... D14/138 G  
 D683,338 S \* 5/2013 Wilson ..... D14/250  
 D691,124 S \* 10/2013 Yang ..... D14/250  
 D697,504 S \* 1/2014 Yang ..... D14/250  
 D704,929 S \* 5/2014 Chu ..... D3/201  
 D714,769 S \* 10/2014 Rayner ..... D14/250  
 D714,770 S \* 10/2014 Nolan ..... D14/250  
 D759,642 S \* 6/2016 Chao ..... D14/250  
 D763,239 S \* 8/2016 Chan ..... D14/250  
 D784,975 S \* 4/2017 Ballou ..... D14/250  
 D798,287 S \* 9/2017 Wright ..... D14/250  
 D800,712 S \* 10/2017 Lai ..... D14/250  
 9,788,620 B1 \* 10/2017 Parkinson ..... A45C 13/008  
 2005/0116003 A1 \* 6/2005 Butler ..... A45F 5/02  
 2007/0261978 A1 \* 11/2007 Sanderson ..... A45C 11/22  
 206/320

2013/0193006 A1\* 8/2013 Bergreen ..... A45C 11/00  
 206/37  
 2013/0242481 A1\* 9/2013 Kim ..... H04B 1/3888  
 361/679.01  
 2013/0271902 A1\* 10/2013 Lai ..... H05K 5/06  
 361/679.01  
 2014/0066144 A1\* 3/2014 Hong ..... H04M 1/04  
 455/575.8  
 2016/0198823 A1\* 7/2016 Bergreen ..... H04M 1/185  
 224/241

OTHER PUBLICATIONS

Catalyst Waterproof Case for iPhone X, earliest review date Nov. 3, 2017, [online][site visited Sep. 2, 2020] URL: <https://www.catalystcase.com/products/catalyst-waterproof-case-for-iphone-x> (Year: 2017).\*  
 Cornmi iPhone IP68 Waterproof Shockproof Case Unboxing, publication date Sep. 5, 2018, [online][site visited Sep. 1, 2020] URL: <https://www.youtube.com/watch?v=Jj4CgZ6DiwE> (Year: 2018).\*

\* cited by examiner

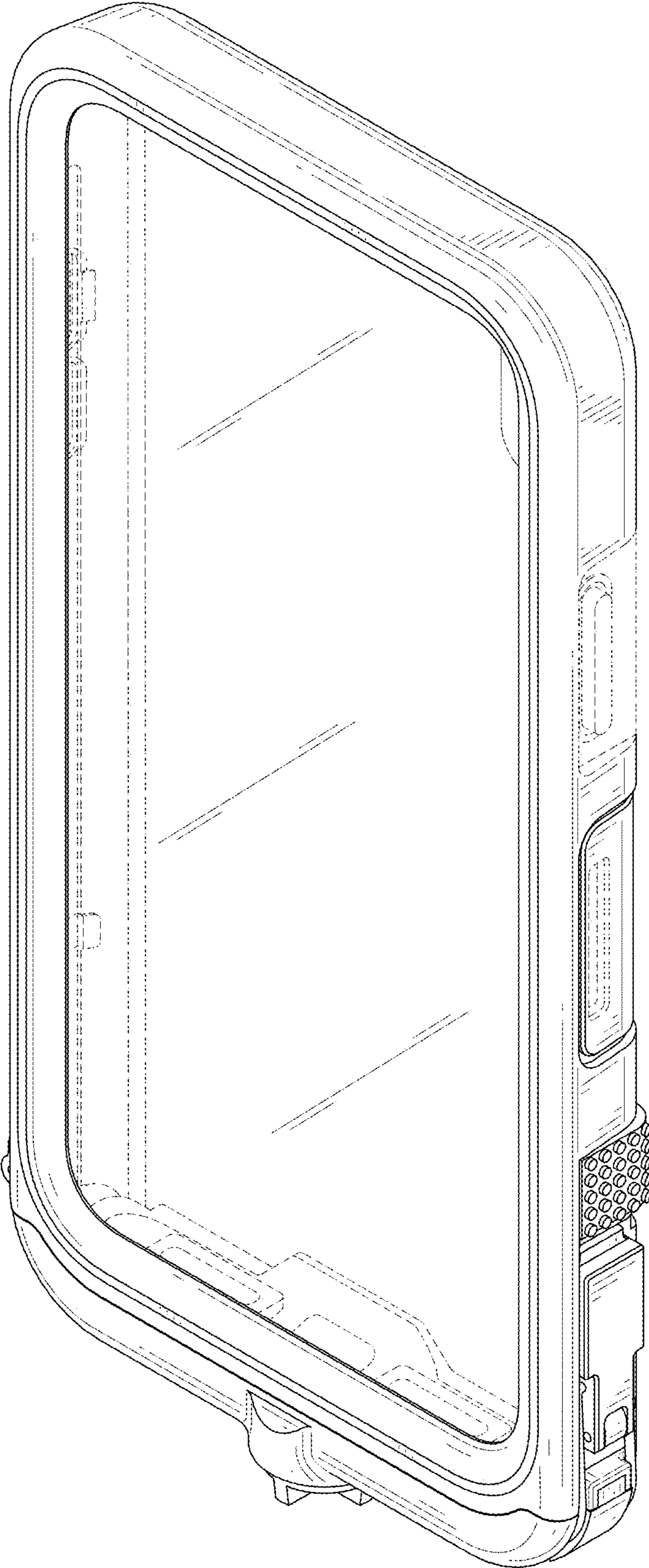


FIG. 1

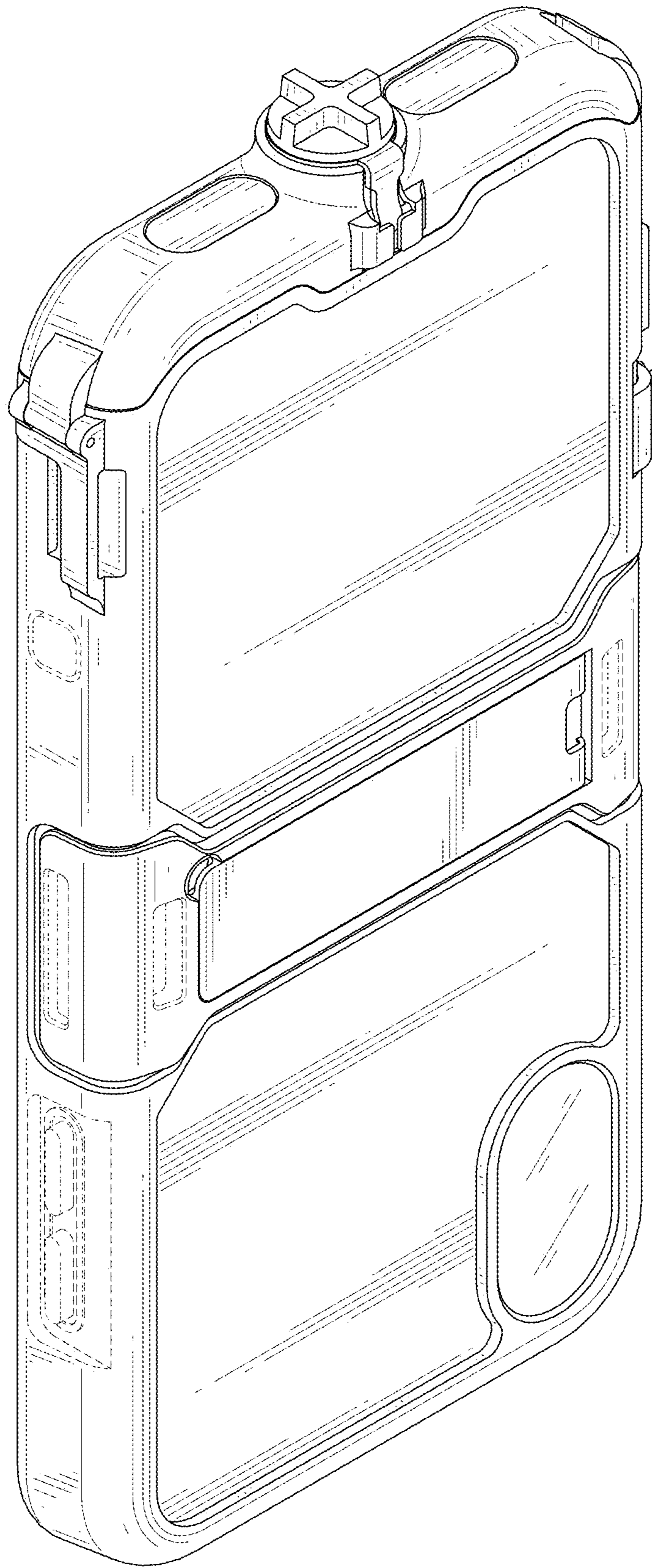


FIG. 2

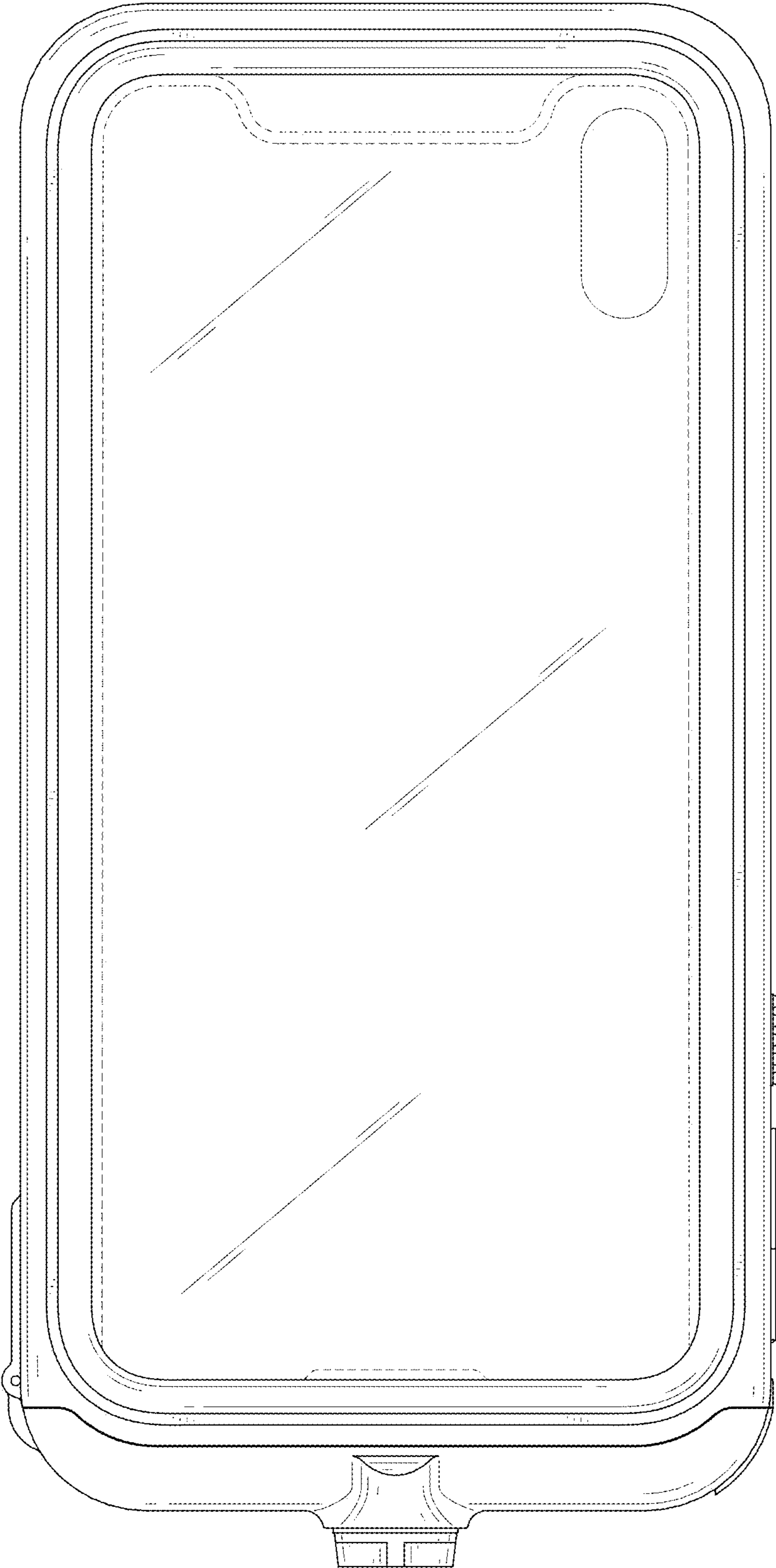


FIG. 3

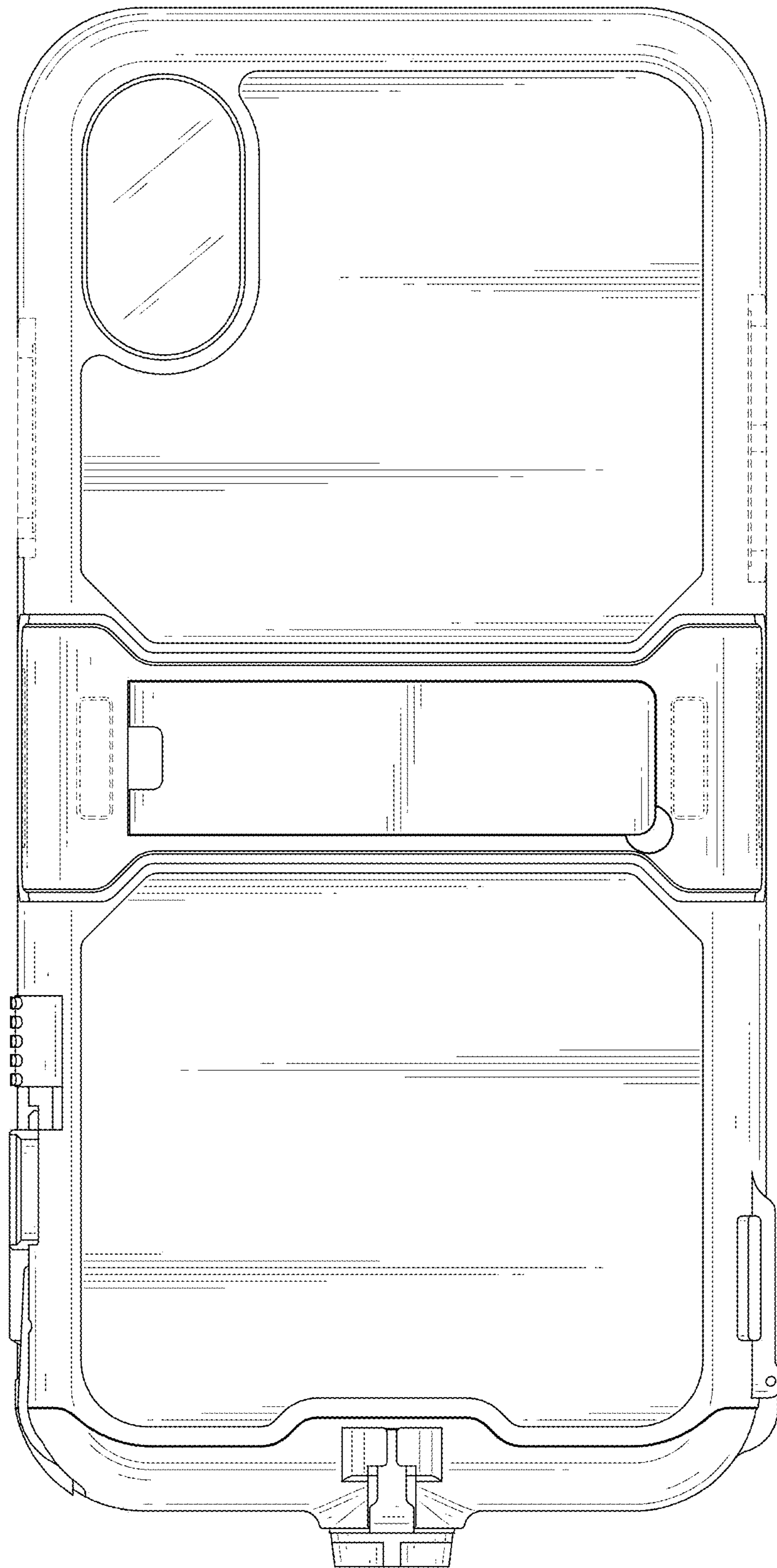


FIG. 4

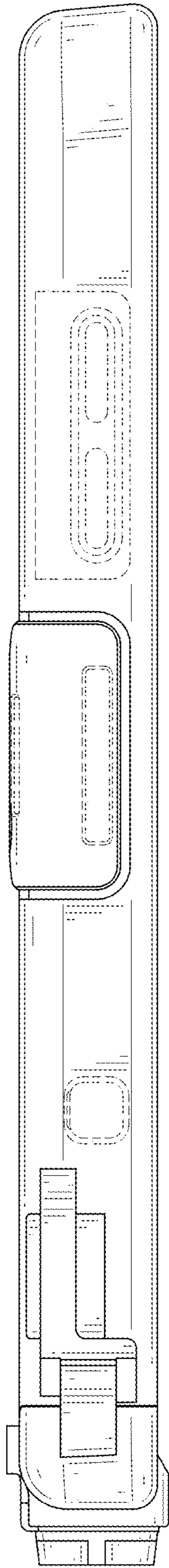


FIG. 5

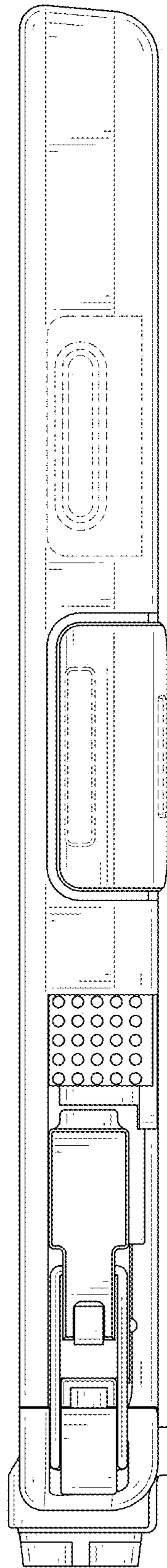


FIG. 6



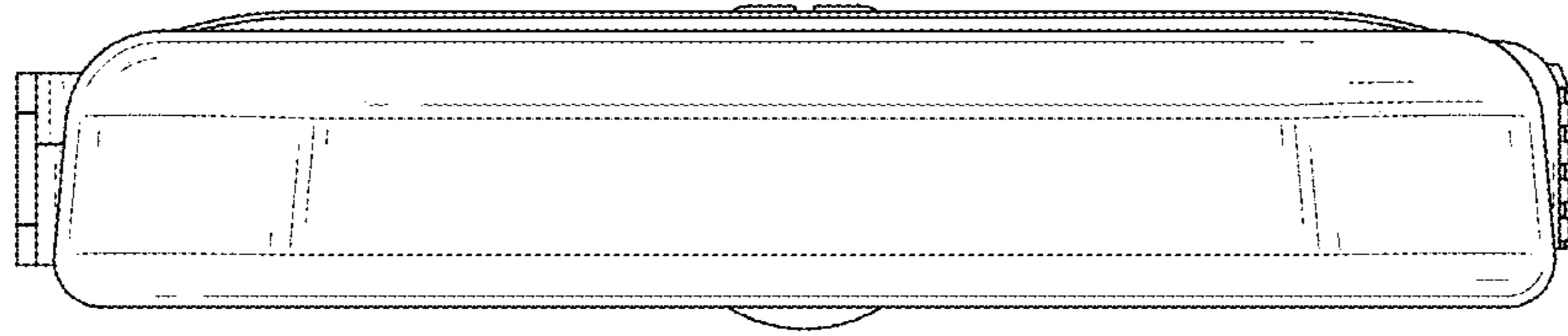


FIG. 7

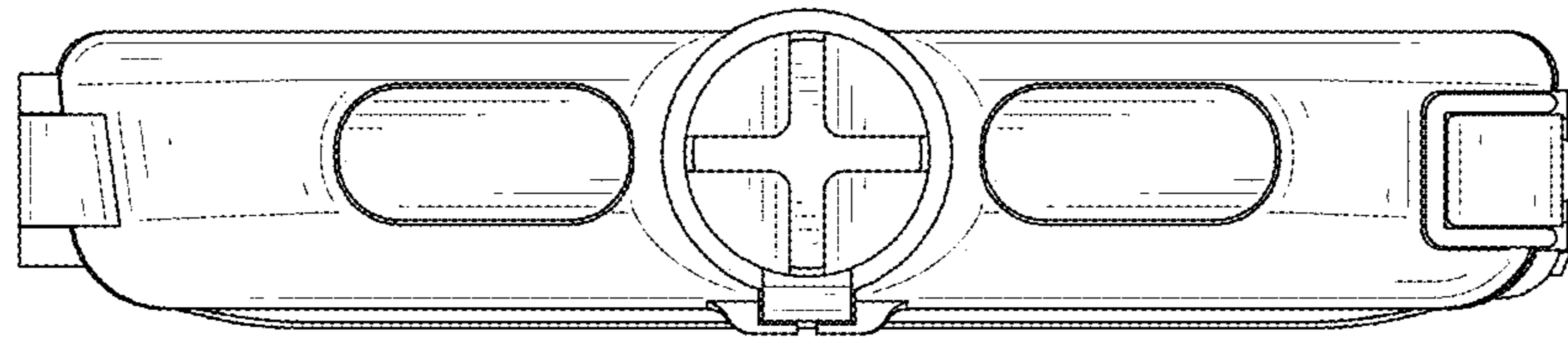


FIG. 8

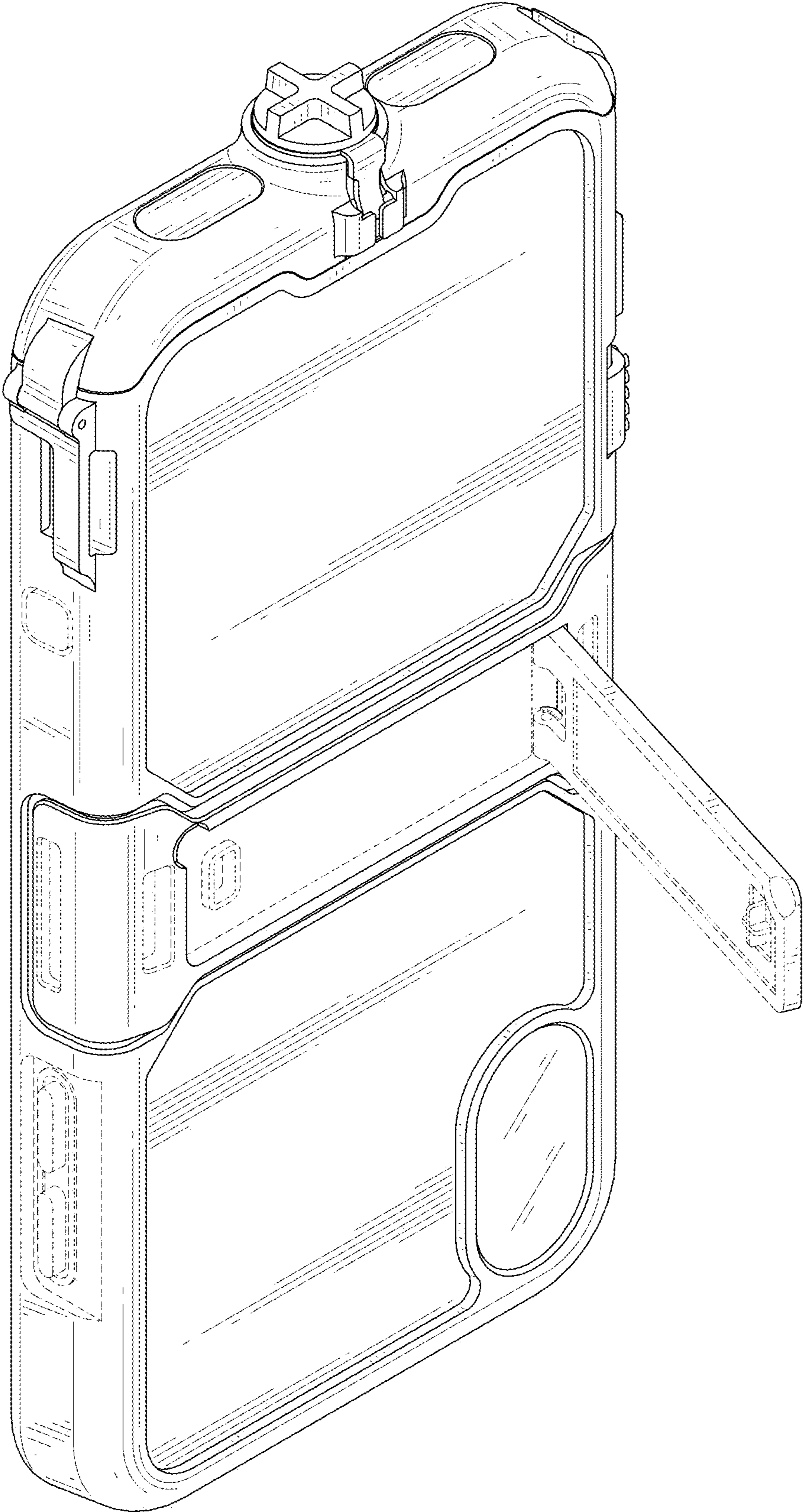


FIG. 9

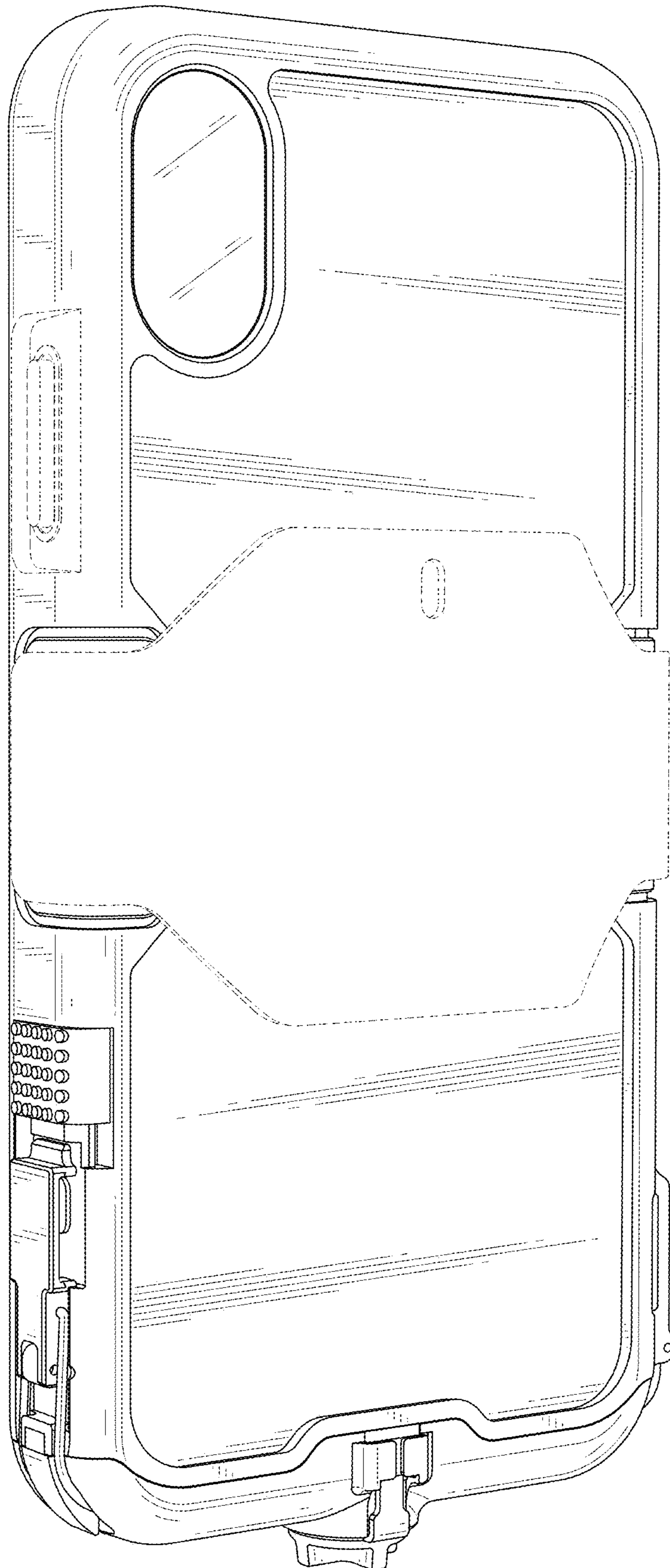


FIG. 10

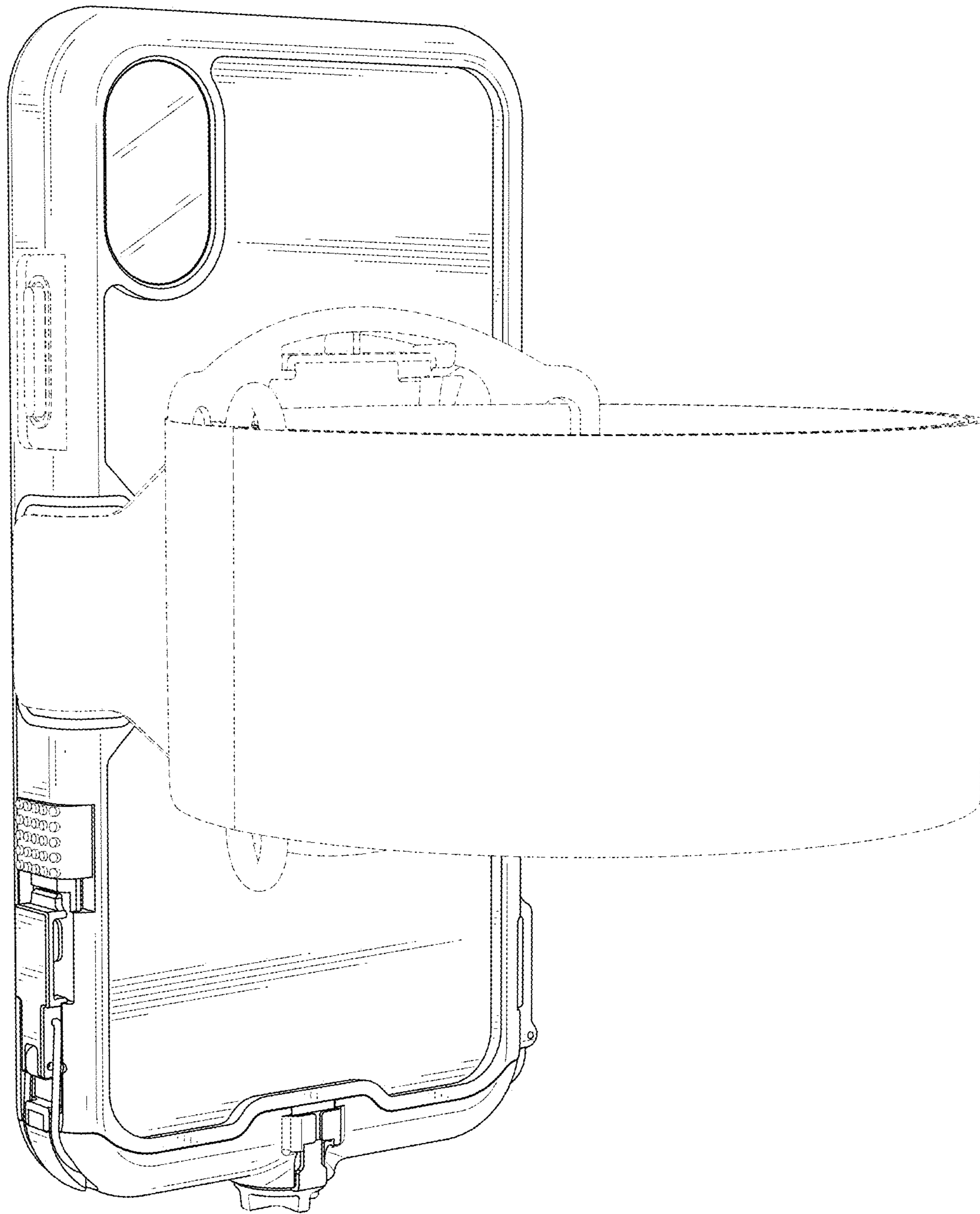


FIG. 11