



US00D915372S

(12) **United States Design Patent** (10) **Patent No.:** **US D915,372 S**
Hu (45) **Date of Patent:** **** Apr. 6, 2021**

(54) **CASE FOR ELECTRONIC DEVICE**

(71) Applicant: **Dongguan Haotong Plastics Technology Co., Ltd., Dongguan (CN)**

(72) Inventor: **Yijin Hu, Dongguan (CN)**

(**) Term: **15 Years**

(21) Appl. No.: **29/656,326**

(22) Filed: **Jul. 11, 2018**

(51) **LOC (13) Cl.** **14-03**

(52) **U.S. Cl.**
USPC **D14/250**

(58) **Field of Classification Search**
USPC D3/201, 212, 218, 226, 227, 247, 249,
D3/250, 269, 303; D13/103, 107, 108,
D13/119; D14/137, 138 R, 138 AA,
D14/138 C, 138 G, 172, 192,
D14/203.3–203.7, 217, 238.1, 247, 248,
D14/250–253, 434, 440, 447, 496
CPC H04B 1/3888; H04M 1/0283;
H04M 1/0202; A45C 1/06; A45C
2011/002; A45C 11/00; A45F 2005/028;
A45F 2200/0525
See application file for complete search history.

D842,293 S * 3/2019 Ahn D14/250
D852,184 S * 6/2019 Hyun D14/250
2013/0271897 A1* 10/2013 Limber H04M 1/04
361/679.01

OTHER PUBLICATIONS

Spigen Rugged Crystal Case for iPhone X and iPhone XS, earliest photo verified review date Nov. 10, 2017, [online][site visited Apr. 23, 2020] URL: <https://www.amazon.com/Spigen-Rugged-Crystal-Designed-iPhone/dp/B074CN3X9W> (Year: 2017).*
WEEVOO Crystal Enforced iPhone X Case, public availability date Jun. 8, 2018, [online][site visited May 7, 2020] URL: <https://www.amazon.com/WEEVOO-Protection-Absorption-Anti-Slip-Excellent/dp/B07DMF1V8F> (Year: 2018).*
Dongguan Haotong Plastic Technology Co. Phone Case Factory Facebook Page Cover photo, uploaded May 25, 2019, [online][site visited May 7, 2020] URL: <https://www.facebook.com/1362723923881721/photos/p.1362725100548270/1362725100548270/> (Year: 2019).*

* cited by examiner

Primary Examiner — L. A. Grabenstetter
(74) *Attorney, Agent, or Firm* — Novoclaims Patent Services LLC; Mei Lin Wong

(57) **CLAIM**

The ornamental design for a case for electronic device, as shown and described.

(56) **References Cited**

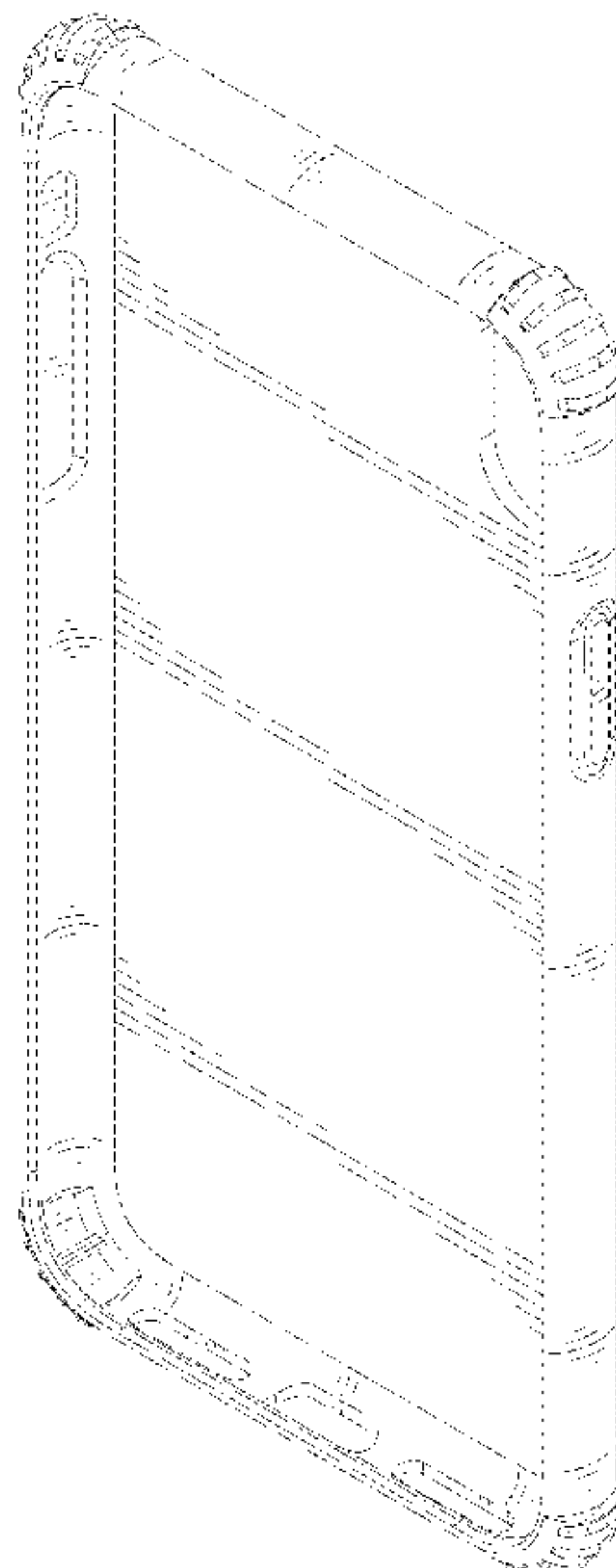
U.S. PATENT DOCUMENTS

D706,754 S * 6/2014 Goradesky D14/250
D716,294 S * 10/2014 Park D14/341
D750,610 S * 3/2016 Chen D14/250
D762,631 S * 8/2016 Kim D14/250
D769,855 S * 10/2016 Deng D14/250
D800,105 S * 10/2017 Roberts D14/250
D802,576 S * 11/2017 Ahn D14/250
D802,577 S * 11/2017 Ahn D14/250
D809,498 S * 2/2018 Ahn D14/250
D820,820 S * 6/2018 Ahn D14/250
D820,821 S * 6/2018 Ahn D14/250

DESCRIPTION

FIG. 1 is a front perspective view of a case for electronic device showing my new design;
FIG. 2 is a rear perspective view thereof;
FIG. 3 is a front view thereof;
FIG. 4 is a rear view thereof;
FIG. 5 is a left side view thereof;
FIG. 6 is a right side view thereof;
FIG. 7 is a top view thereof; and,
FIG. 8 is a bottom view thereof.

1 Claim, 8 Drawing Sheets



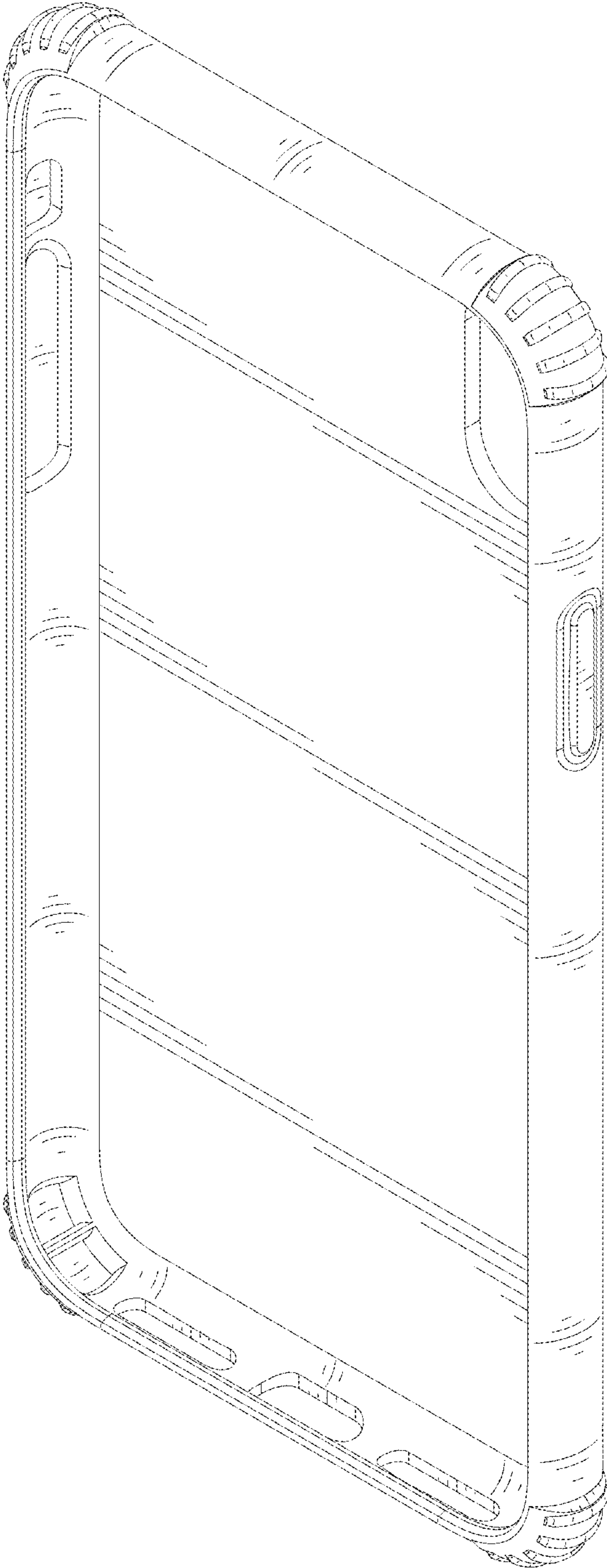


FIG.1

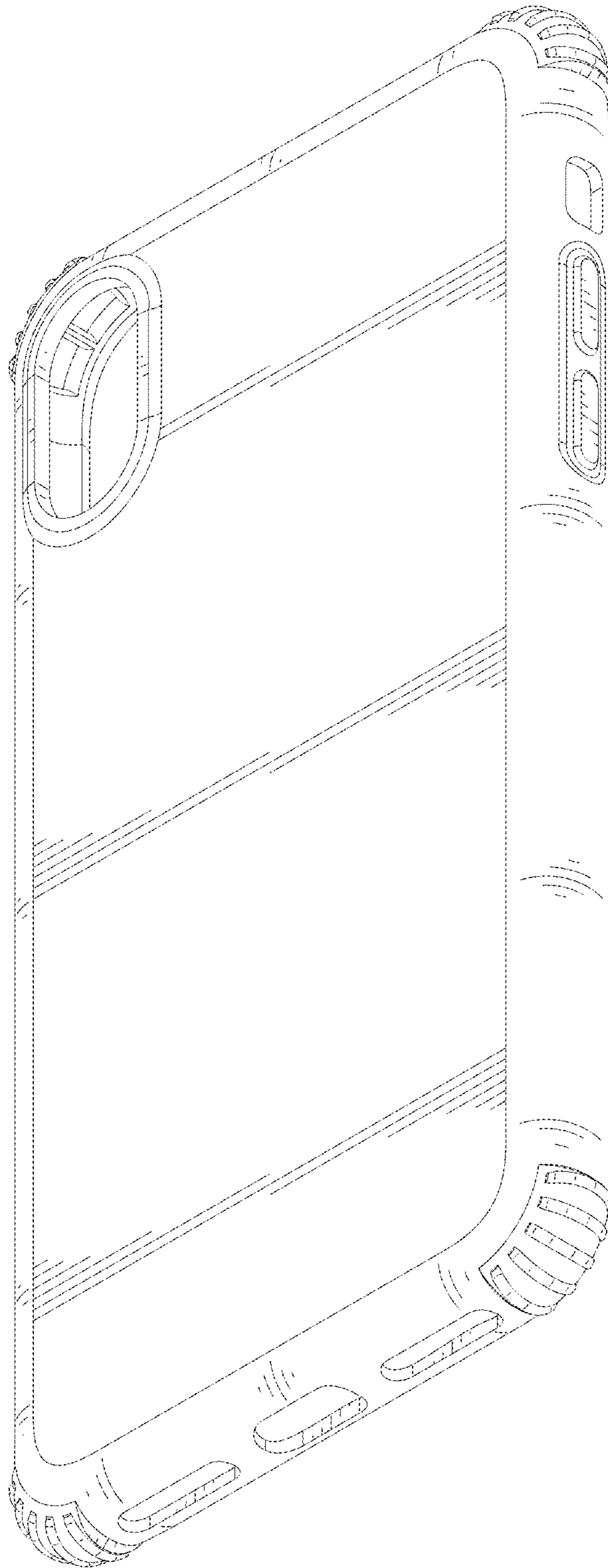


FIG.2

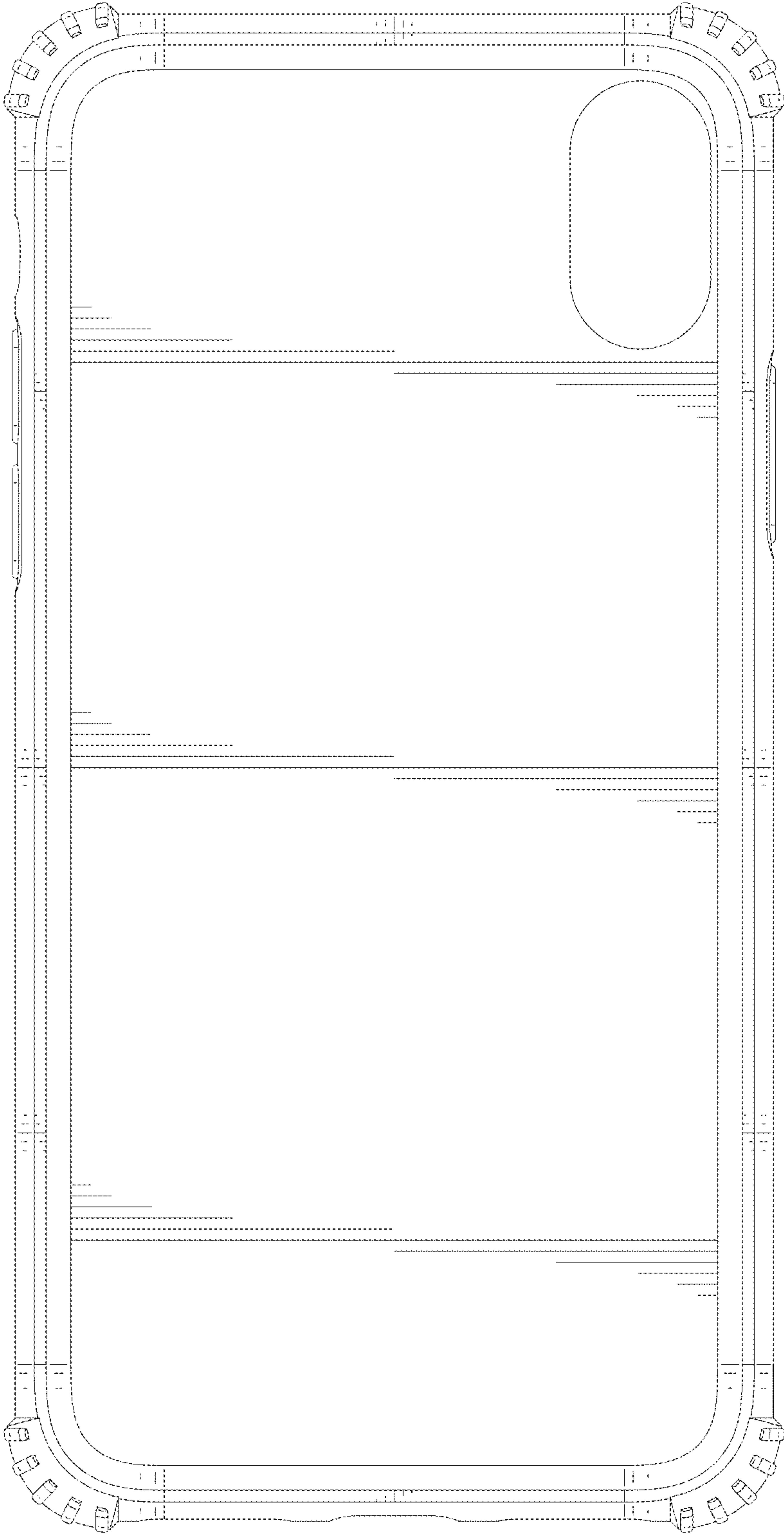


FIG.3

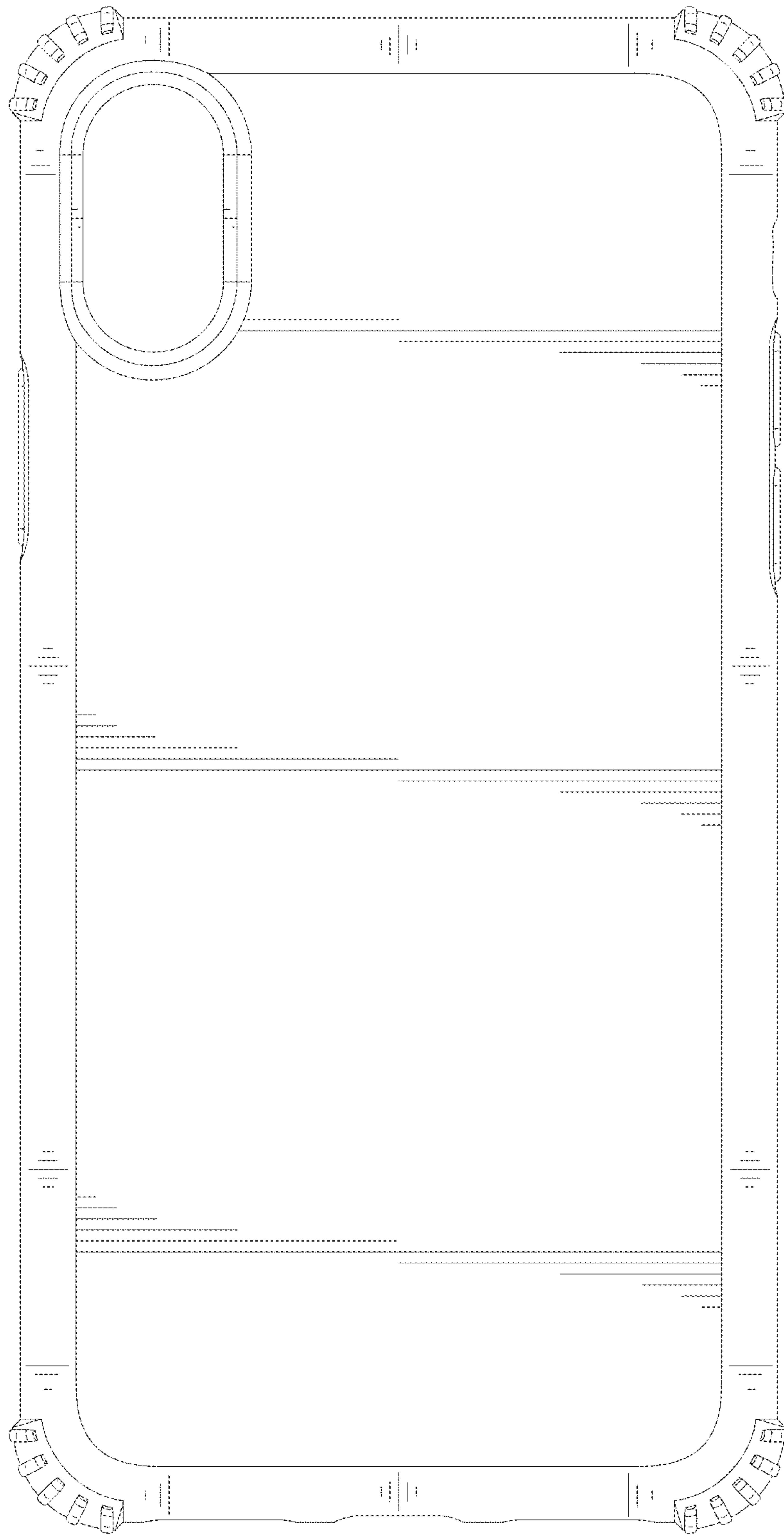


FIG.4

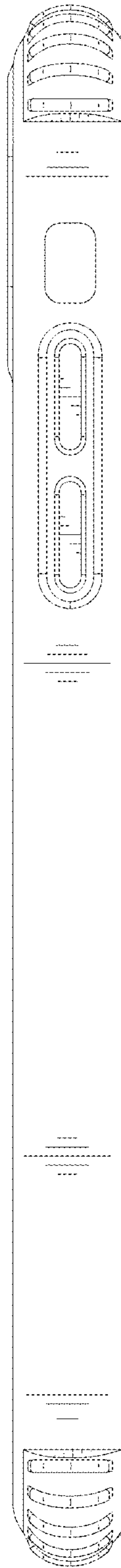


FIG.5

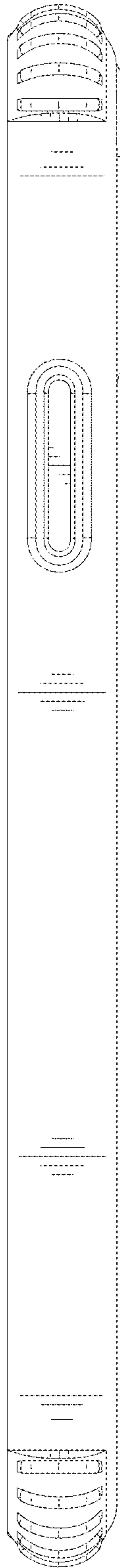


FIG.6

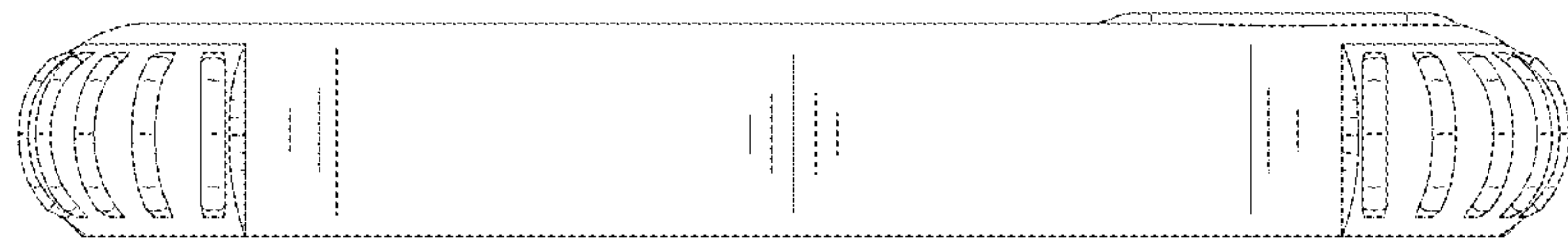


FIG.7

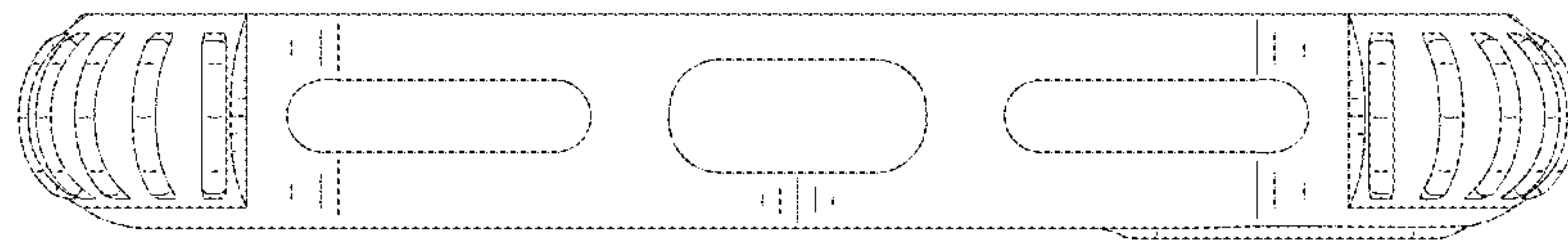


FIG.8