



US00D915365S

(12) **United States Design Patent** (10) **Patent No.:** **US D915,365 S**
Lu (45) **Date of Patent:** **** Apr. 6, 2021**

(54) **DISPLAY MOUNT**

(71) Applicant: **SHENZHEN PRIME TECHNOLOGY CO., LTD**, Shenzhen (CN)

(72) Inventor: **Chengan Lu**, Shenzhen (CN)

(73) Assignee: **SHENZHEN PRIME TECHNOLOGY CO., LTD**, Shenzhen (CN)

(**) Term: **15 Years**

(21) Appl. No.: **29/749,337**

(22) Filed: **Sep. 4, 2020**

(51) **LOC (13) Cl.** **14-03**

(52) **U.S. Cl.**
USPC **D14/239**

(58) **Field of Classification Search**

USPC D14/125–129, 239, 251–253, 335, D14/336–337, 371–382, 432, 439–441, D14/447–452, 457, 492

CPC G06F 1/1616; G06F 3/011; G06F 3/016; G06F 3/0202; G06F 3/0213; G06F 3/0219; G06F 3/023; G06F 3/0338; G06F 3/03543; G06F 3/038; G06F 3/0488; G06F 3/04883

See application file for complete search history.

(56) **References Cited**

U.S. PATENT DOCUMENTS

D537,706 S	3/2007	Ly Hau et al.	
D602,923 S	10/2009	Skull	
D635,130 S *	3/2011	Skull	D14/239
D643,421 S *	8/2011	Russell	D14/239
D837,225 S	1/2019	Russell et al.	
D842,283 S *	3/2019	Pei	D14/239
D904,361 S *	12/2020	Pei	D14/239
D910,607 S *	2/2021	Lyu	D14/239

OTHER PUBLICATIONS

PSLT3 Tilting TV Wall Mount Bracket . . . , review date: Jan. 7, 2020, [retrieved Feb. 22, 2021], Retrieved from Internet, URL: <https://www.perlesmith.com/collections/tv-mounts/products/pslt3-tilting-tv-wall-mount-bracket> (Year: 2020).*

PSLT4 Tilt TV Wall Mount Bracket . . . , release date Nov. 6, 2020, [retrieved Feb. 22, 2021], Retrieved from Internet, URL: <https://www.perlesmith.com/collections/tv-mounts/products/pslt4-tilt-tv-wall-mount-bracket-for-40-82-inch-led-lcd-oled-4k-curved-flat-screen> (Year: 2020).*

* cited by examiner

Primary Examiner — Barbara Fox

Assistant Examiner — Aram Kwon

(57) **CLAIM**

The ornamental design for a display mount, as shown and described.

DESCRIPTION

FIG. 1 is a perspective view of a display mount showing my new design;

FIG. 2 is another perspective view thereof;

FIG. 3 is a front elevational view thereof;

FIG. 4 is a rear elevational view thereof;

FIG. 5 is a left side elevational view thereof;

FIG. 6 is a right side elevational view thereof;

FIG. 7 is a top plan view thereof;

FIG. 8 is a bottom plan view thereof;

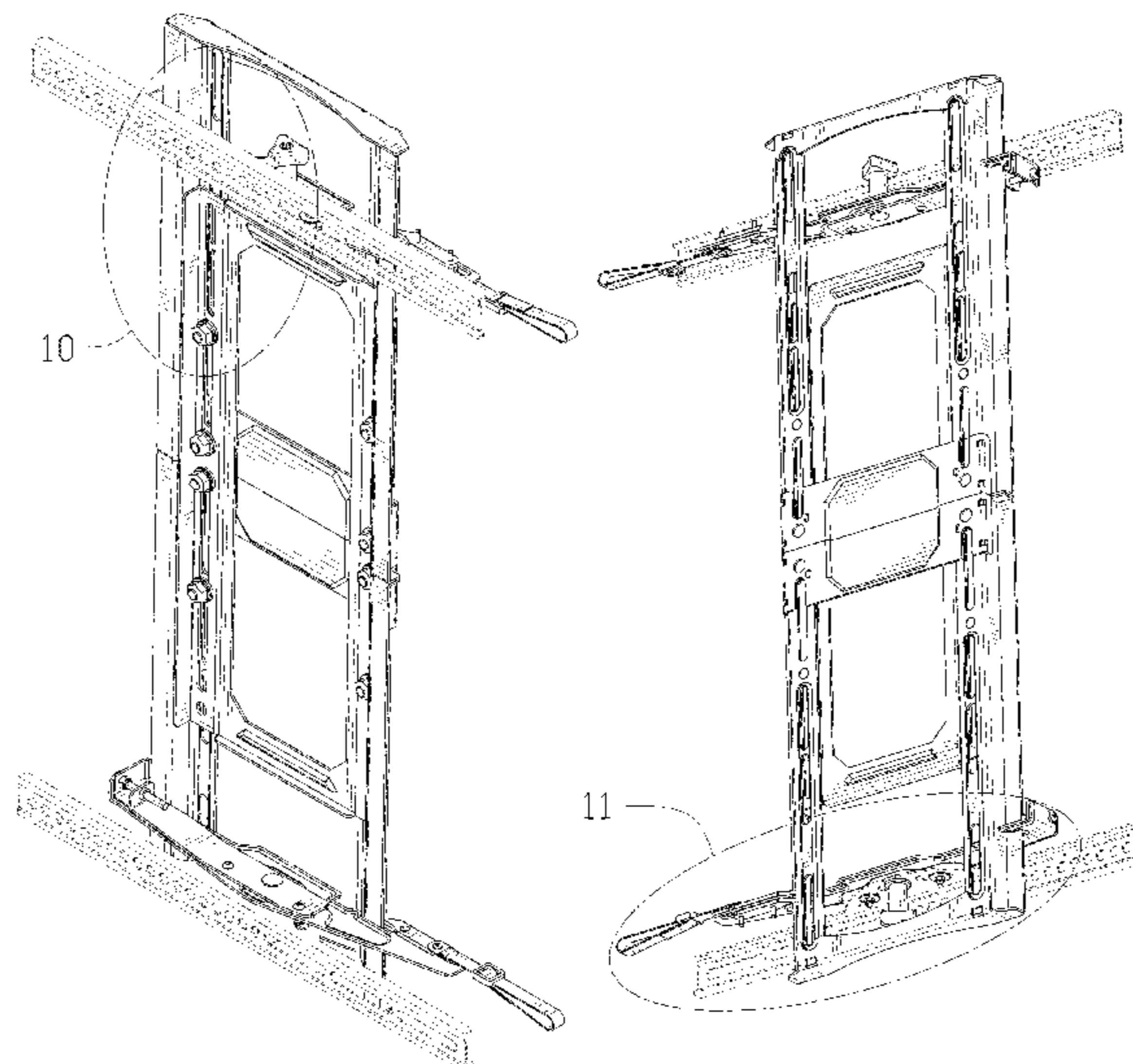
FIG. 9 is a perspective view of the display mount where the display mount is in a configuration of use;

FIG. 10 is an enlarged view of portion 10 shown in FIG. 1; and,

FIG. 11 is an enlarged view of portion 11 shown in FIG. 2.

The evenly dashed broken lines in the drawings depict portions of the display mount that form no part of the claimed design. The dash-dot broken lines encircling portions of the claimed design that are illustrated in enlargements form no part of the claimed design.

1 Claim, 11 Drawing Sheets



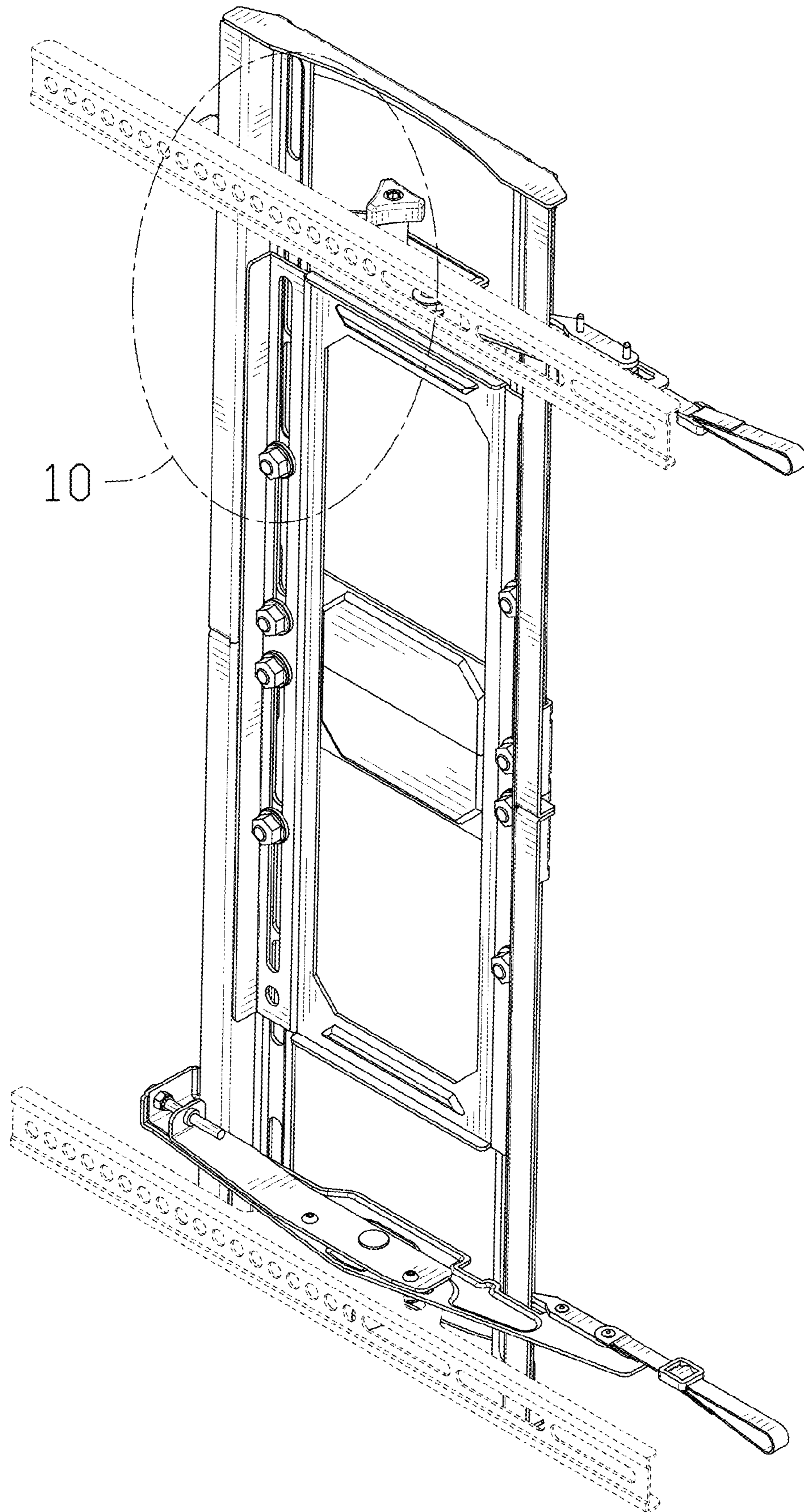


FIG. 1

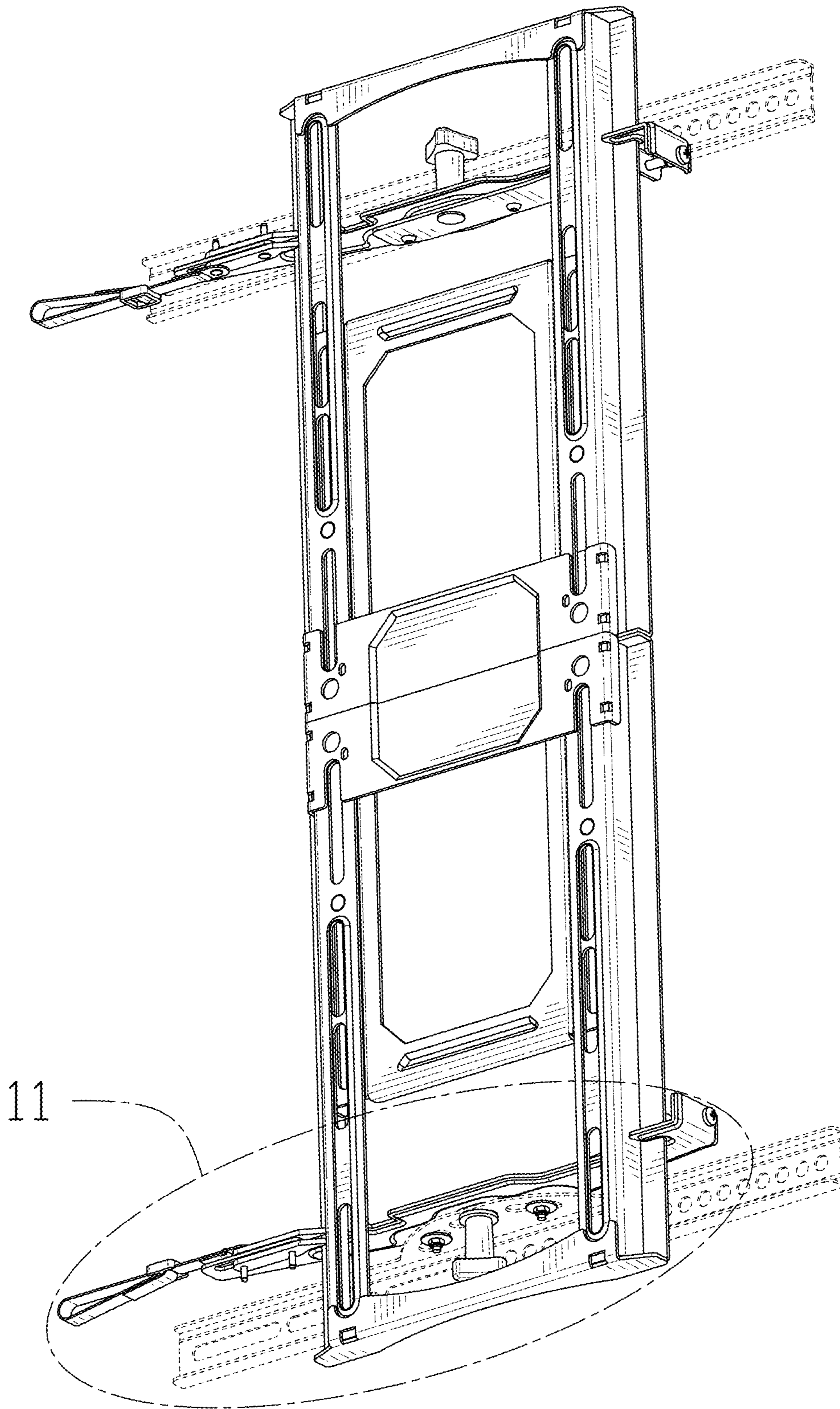


FIG. 2

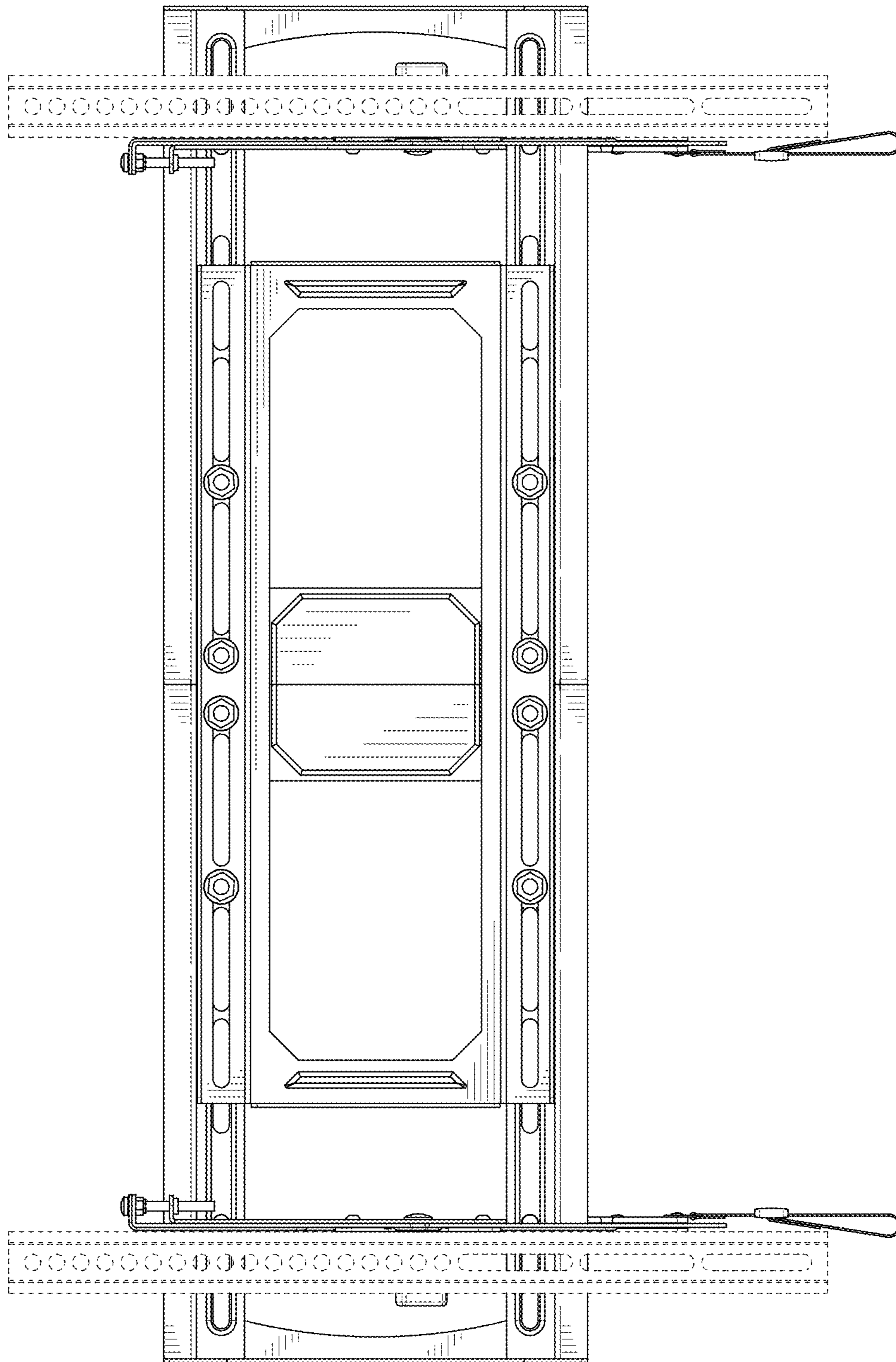


FIG. 3

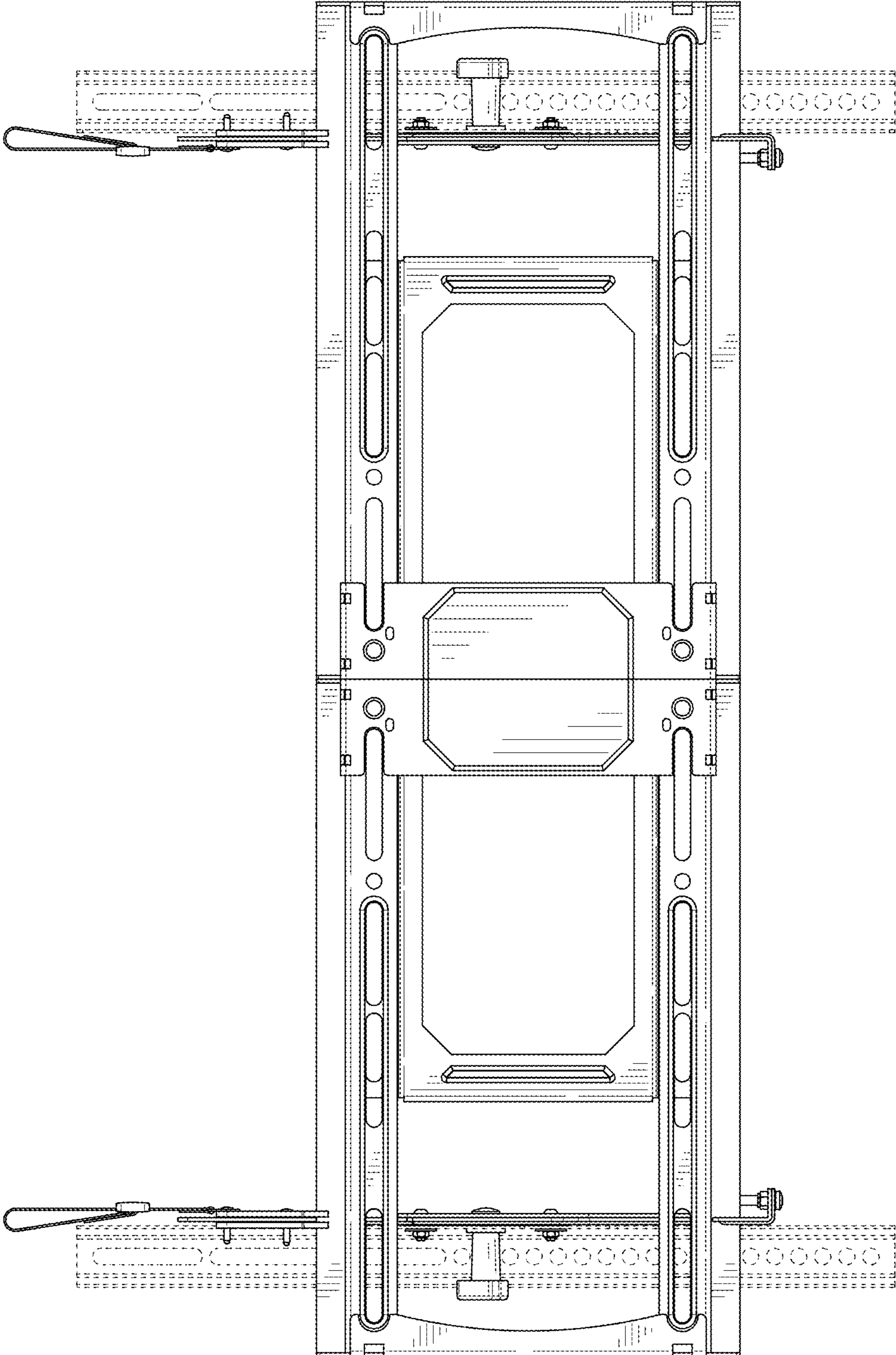


FIG. 4

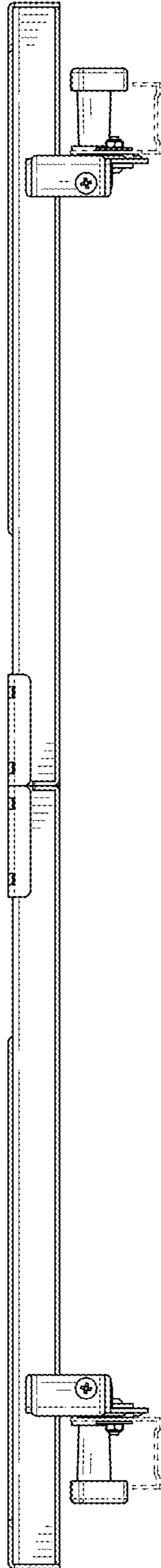


FIG. 5

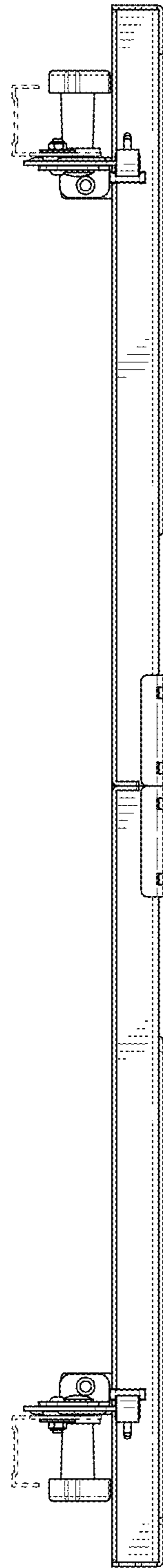


FIG. 6

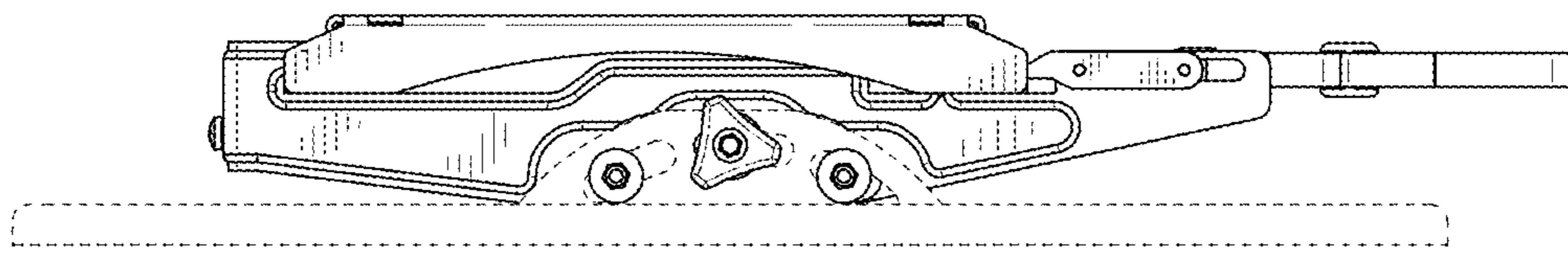


FIG. 7

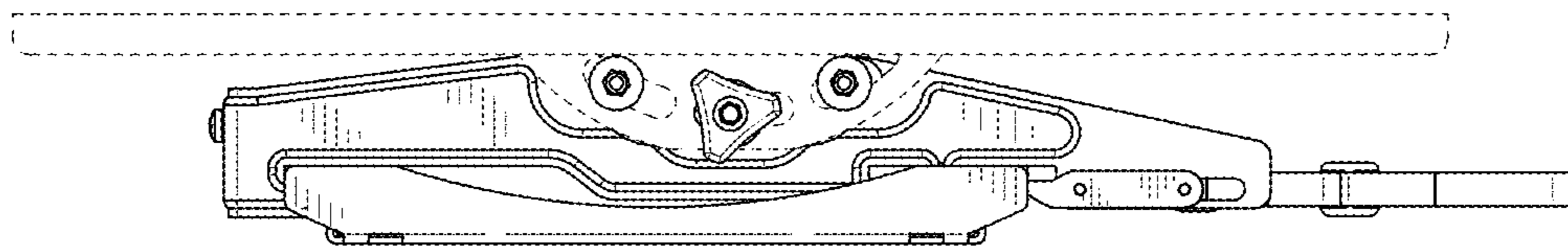


FIG. 8

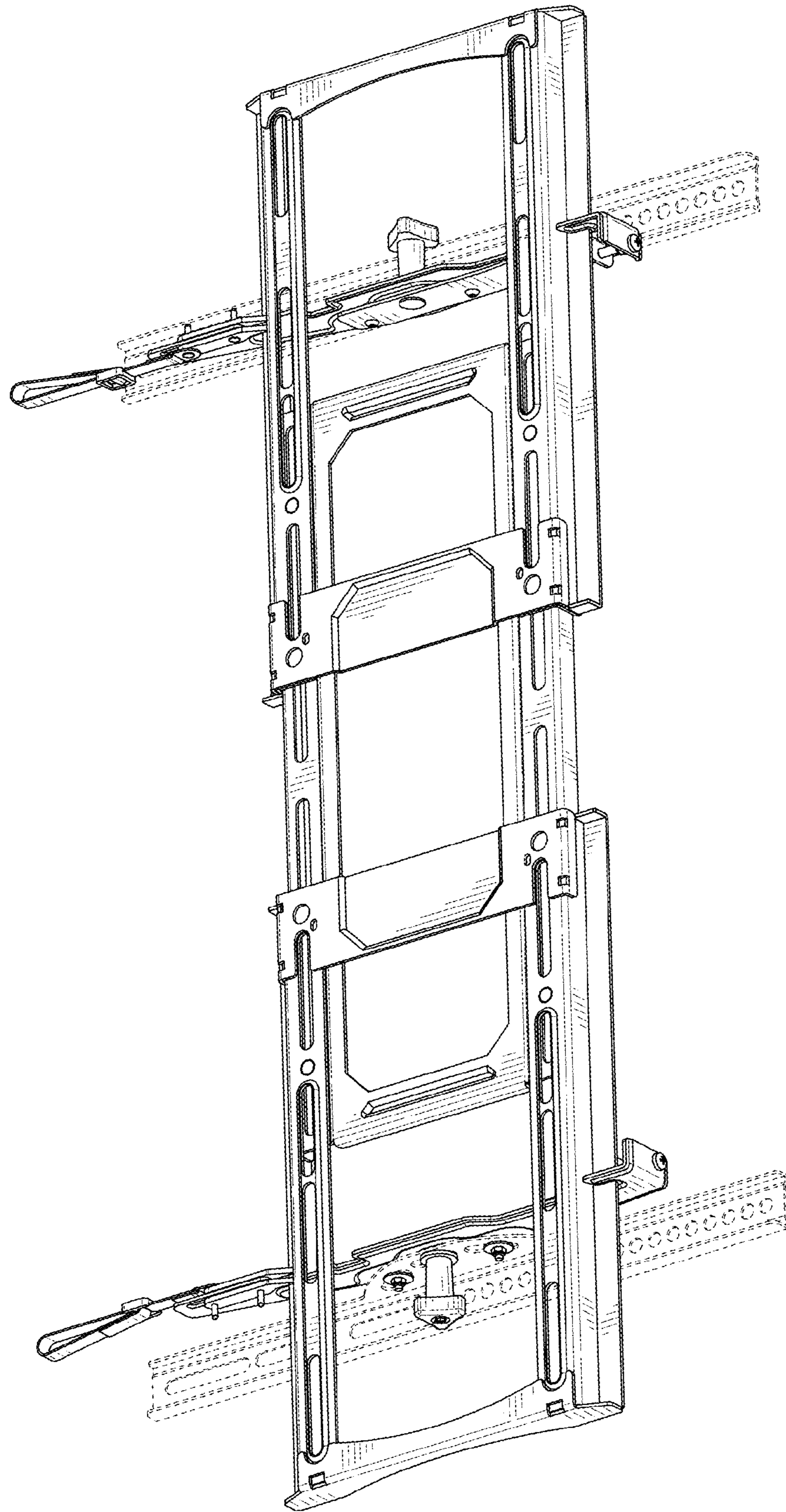


FIG. 9

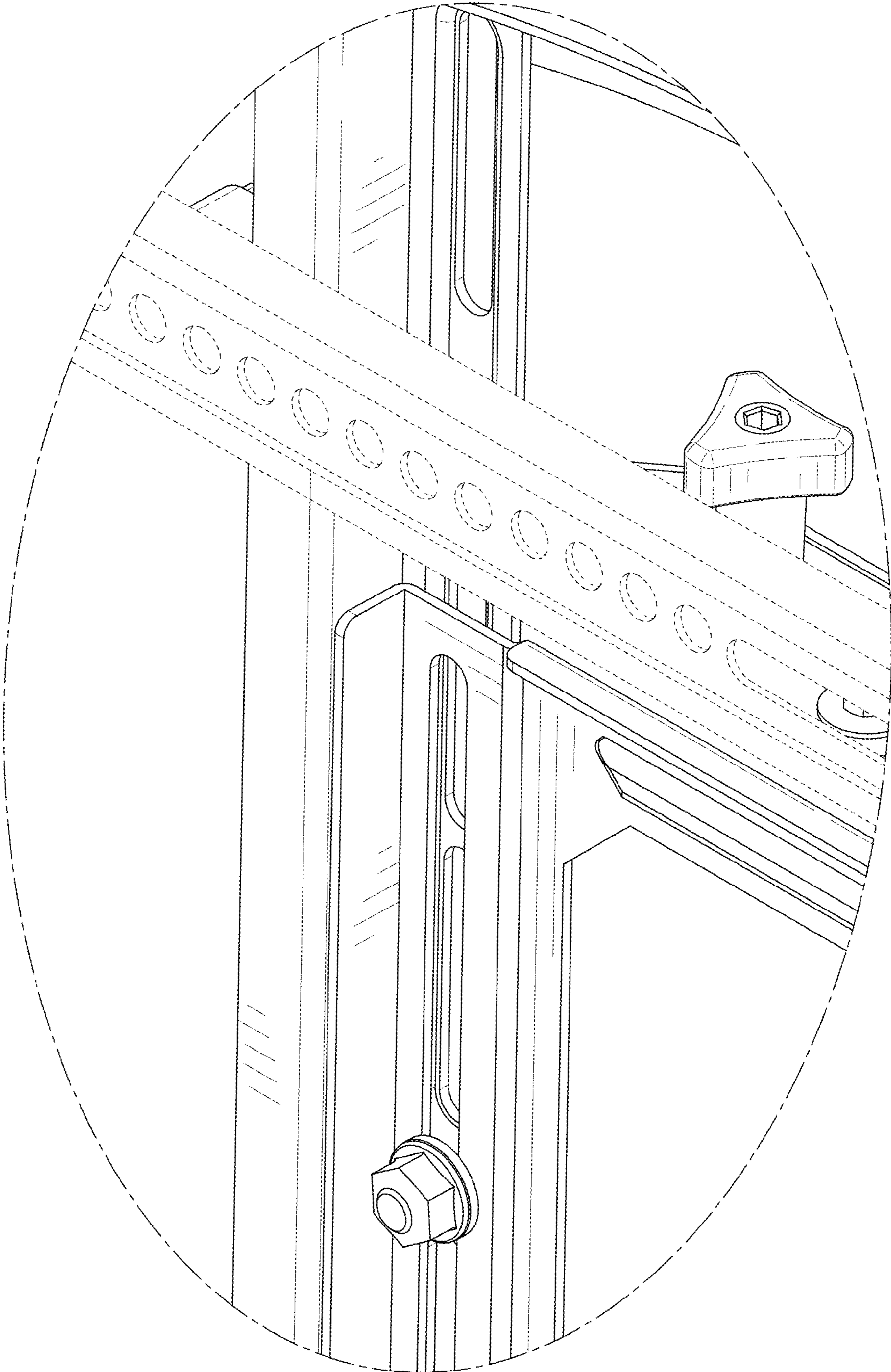


FIG. 10

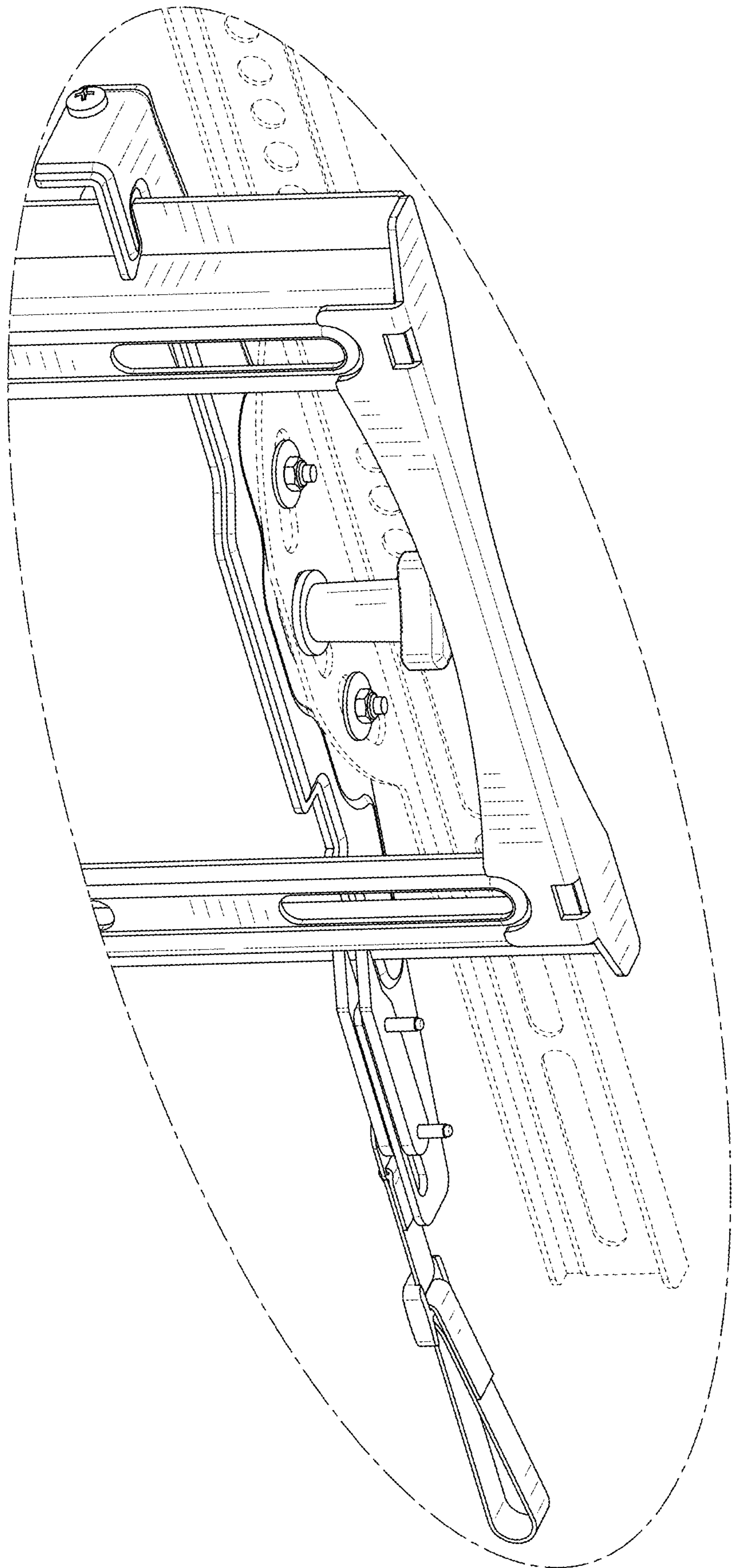


FIG. 11