



US00D915362S

(12) **United States Design Patent**  
**Pei**

(10) **Patent No.:** **US D915,362 S**  
(45) **Date of Patent:** **\*\* Apr. 6, 2021**

(54) **TV MOUNT BRACKET**

(71) Applicant: **Xubo Pei**, Shenzhen (CN)

(72) Inventor: **Xubo Pei**, Shenzhen (CN)

(\*\*) Term: **15 Years**

(21) Appl. No.: **29/702,498**

(22) Filed: **Aug. 20, 2019**

(51) **LOC (13) Cl.** ..... **14-03**

(52) **U.S. Cl.**  
USPC ..... **D14/239**

(58) **Field of Classification Search**  
USPC ..... D14/239, 451, 448, 432, 217, 496, 371,  
D14/374-377; D8/349, 363  
CPC .. A47B 97/001; A47B 81/061; H05K 5/0017;  
A63B 2225/685  
See application file for complete search history.

(56) **References Cited**

**U.S. PATENT DOCUMENTS**

D558,564 S *	1/2008	Ciungan	.....	D14/452
D611,479 S *	3/2010	Hau	.....	D14/452
D650,373 S *	12/2011	Stemple	.....	D14/239
D666,206 S *	8/2012	Huang	.....	D14/452
D841,631 S *	2/2019	Pei	.....	D14/239
D848,988 S *	5/2019	Pei	.....	D14/239
D852,790 S *	7/2019	Pei	.....	D14/239
D858,493 S *	9/2019	Pei	.....	D14/239
D877,746 S *	3/2020	Pei	.....	D14/452
D878,382 S *	3/2020	Pei	.....	D14/452
D888,027 S *	6/2020	Pei	.....	D14/239
2011/0108688 A1 *	5/2011	Parruck	.....	F16M 11/045 248/217.4
2016/0353885 A1 *	12/2016	Feldman	.....	F16M 11/10
2018/0010735 A1 *	1/2018	Smolek	.....	F16M 13/02
2019/0191879 A1 *	6/2019	Pei	.....	F16M 11/105
2019/0390817 A1 *	12/2019	Pei	.....	F16M 11/10

**FOREIGN PATENT DOCUMENTS**

GB 6011473 \* 4/2017

**OTHER PUBLICATIONS**

TV Mount Bracket Max VESA, Mar. 13, 2019, amazon.com, [online], [site visited Oct. 5, 2020], Available from internet URL: [https://www.amazon.com/USX-MOUNT-Bracket-Articulating-400x400mm/dp/B07PQHH5PB/ref=sr\\_1\\_265\\_sspa?crd=3S8J3810YHCML&dchild=1&k%E2%80%A6](https://www.amazon.com/USX-MOUNT-Bracket-Articulating-400x400mm/dp/B07PQHH5PB/ref=sr_1_265_sspa?crd=3S8J3810YHCML&dchild=1&k%E2%80%A6) (Year: 2019).\*

\* cited by examiner

*Primary Examiner* — Samantha Q Lawrence

*Assistant Examiner* — Holly M Rodriguez

(74) *Attorney, Agent, or Firm* — Maier & Maier, PLLC

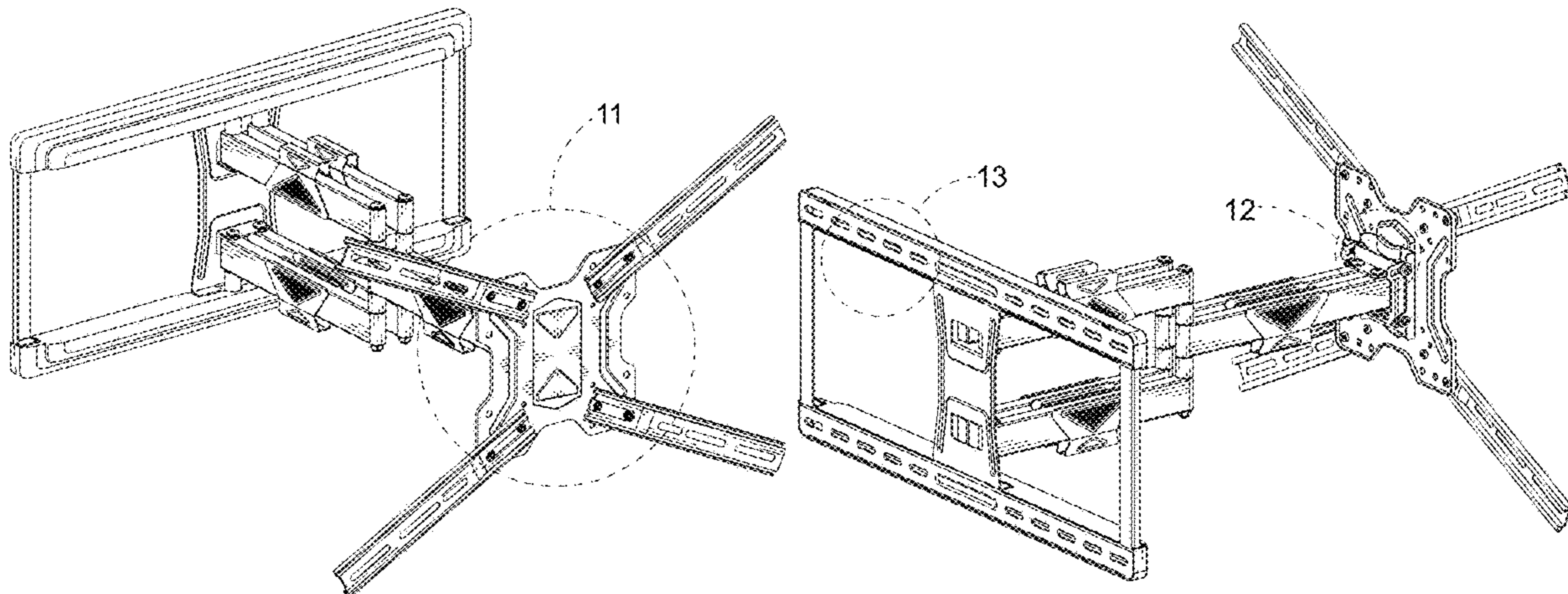
(57) **CLAIM**

The ornamental design for a TV mount bracket, as shown and described.

**DESCRIPTION**

FIG. 1 is a front view of a TV mount bracket showing the new design;  
FIG. 2 is a rear view thereof;  
FIG. 3 is a left side view thereof;  
FIG. 4 is a right side view thereof;  
FIG. 5 is a top side view thereof;  
FIG. 6 is a bottom side view thereof;  
FIG. 7 is a top left perspective view thereof;  
FIG. 8 is a top left perspective view thereof showing the TV mount bracket in an alternate position;  
FIG. 9 is a rear perspective view thereof showing the TV mount bracket in an alternate position;  
FIG. 10 is an enlarged view of the section indicated by circle 10 in FIG. 5;  
FIG. 11 is an enlarged view of the section indicated by circle 11 in FIG. 8;  
FIG. 12 is an enlarged view of the section indicated by circle 12 in FIG. 9; and,  
FIG. 13 is an enlarged view of the section indicated by circle 13 in FIG. 9.  
The shade lines in the Figures show contour and not surface ornamentation.

**1 Claim, 12 Drawing Sheets**



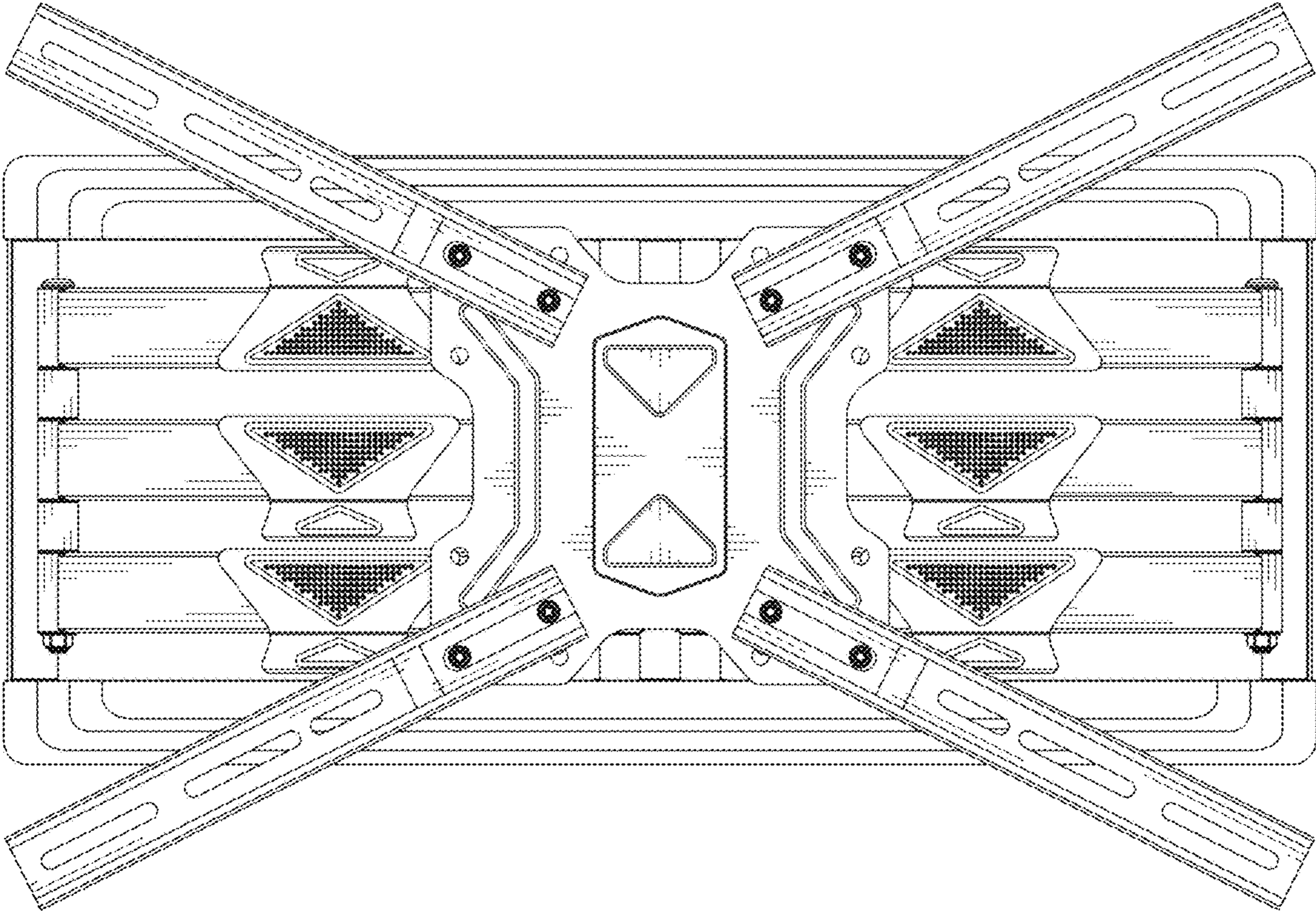


FIG. 1



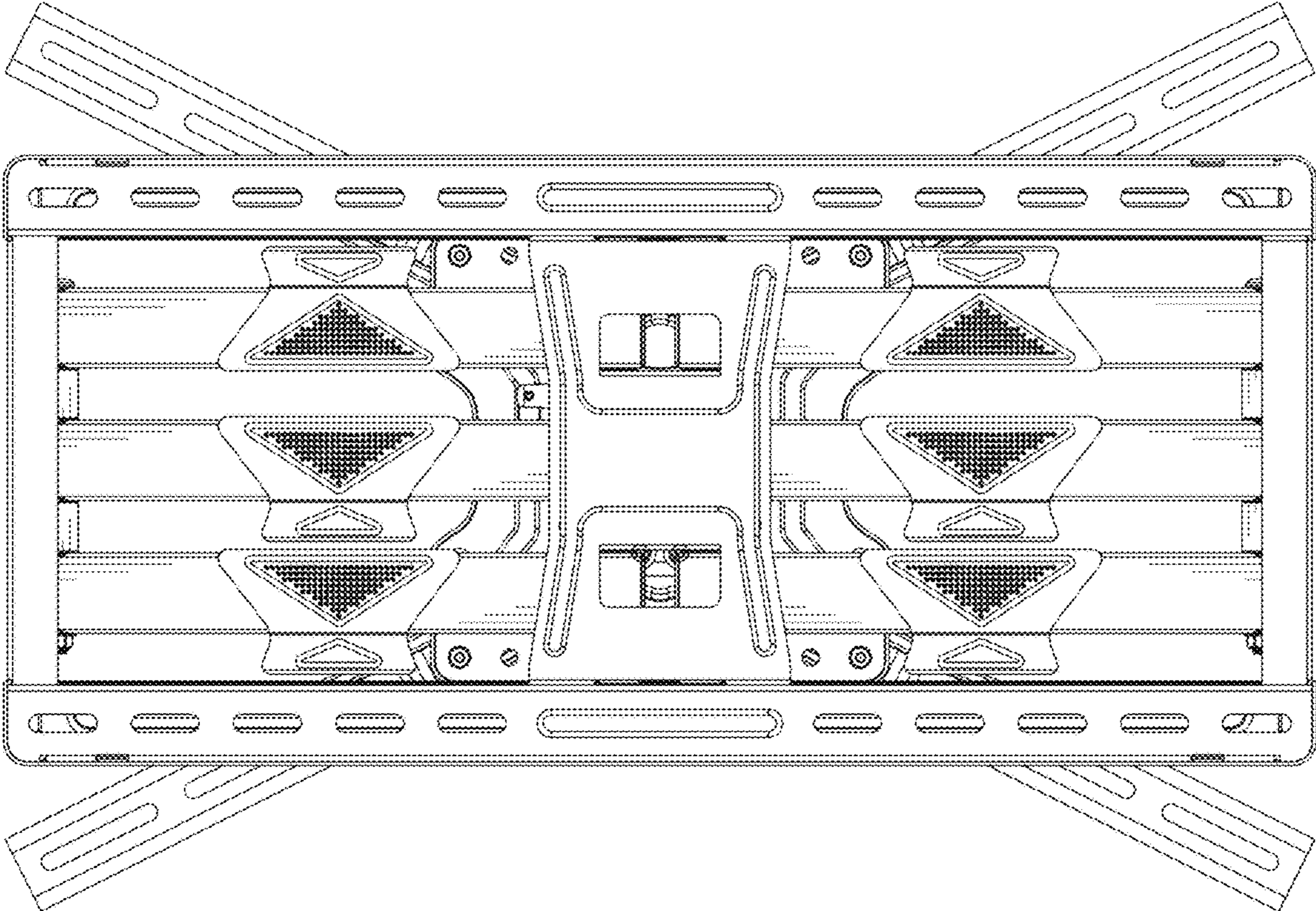


FIG. 2

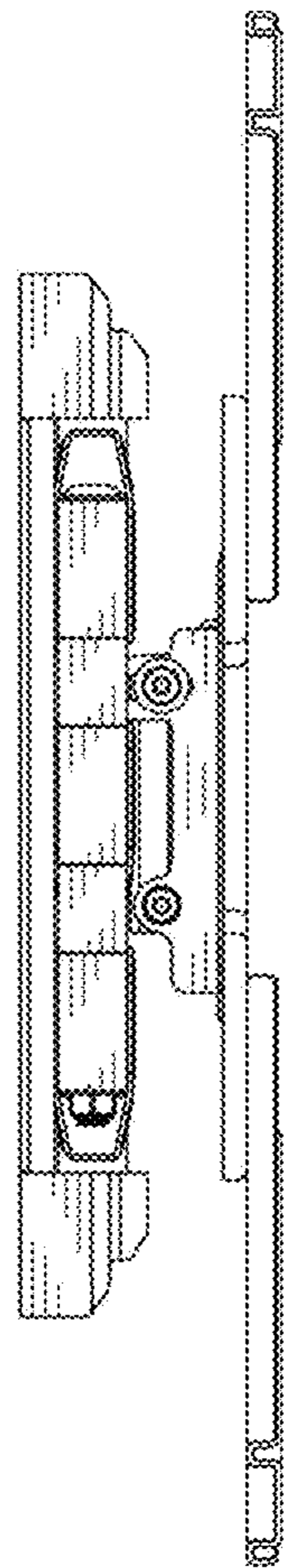


FIG. 3

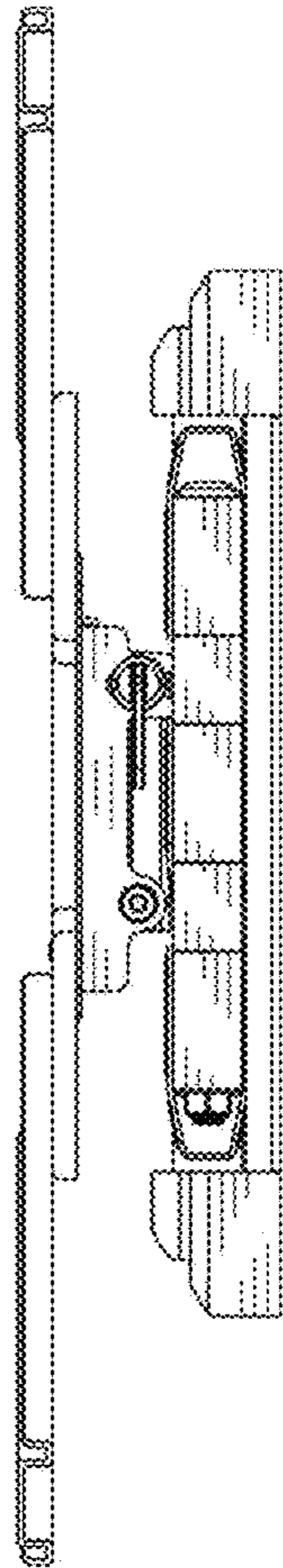


FIG. 4

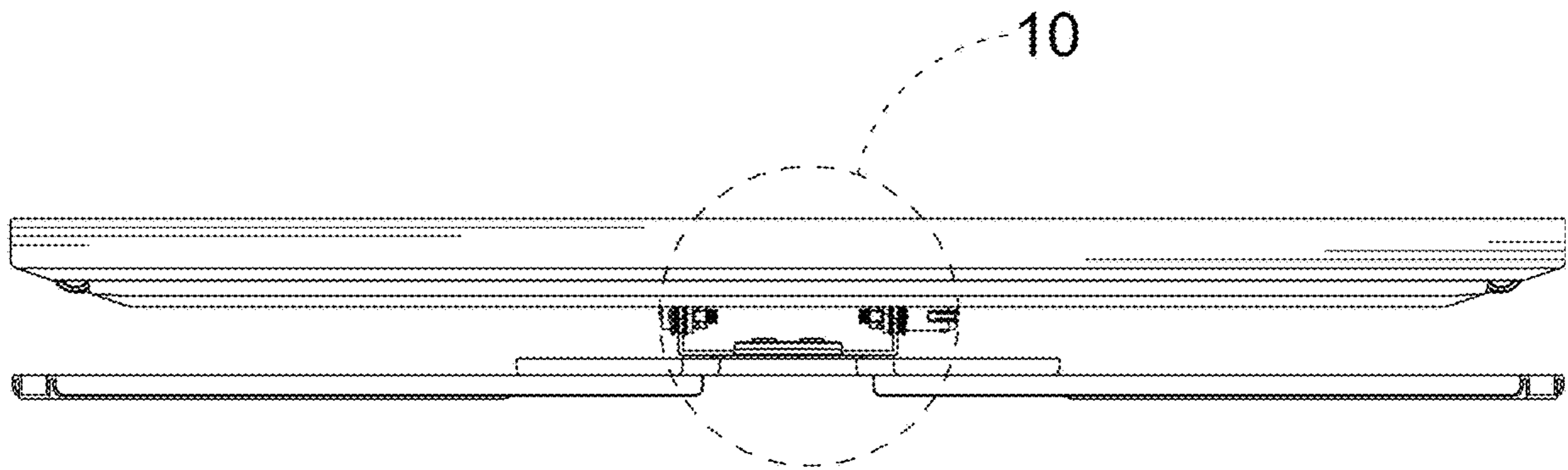


FIG. 5



FIG. 6



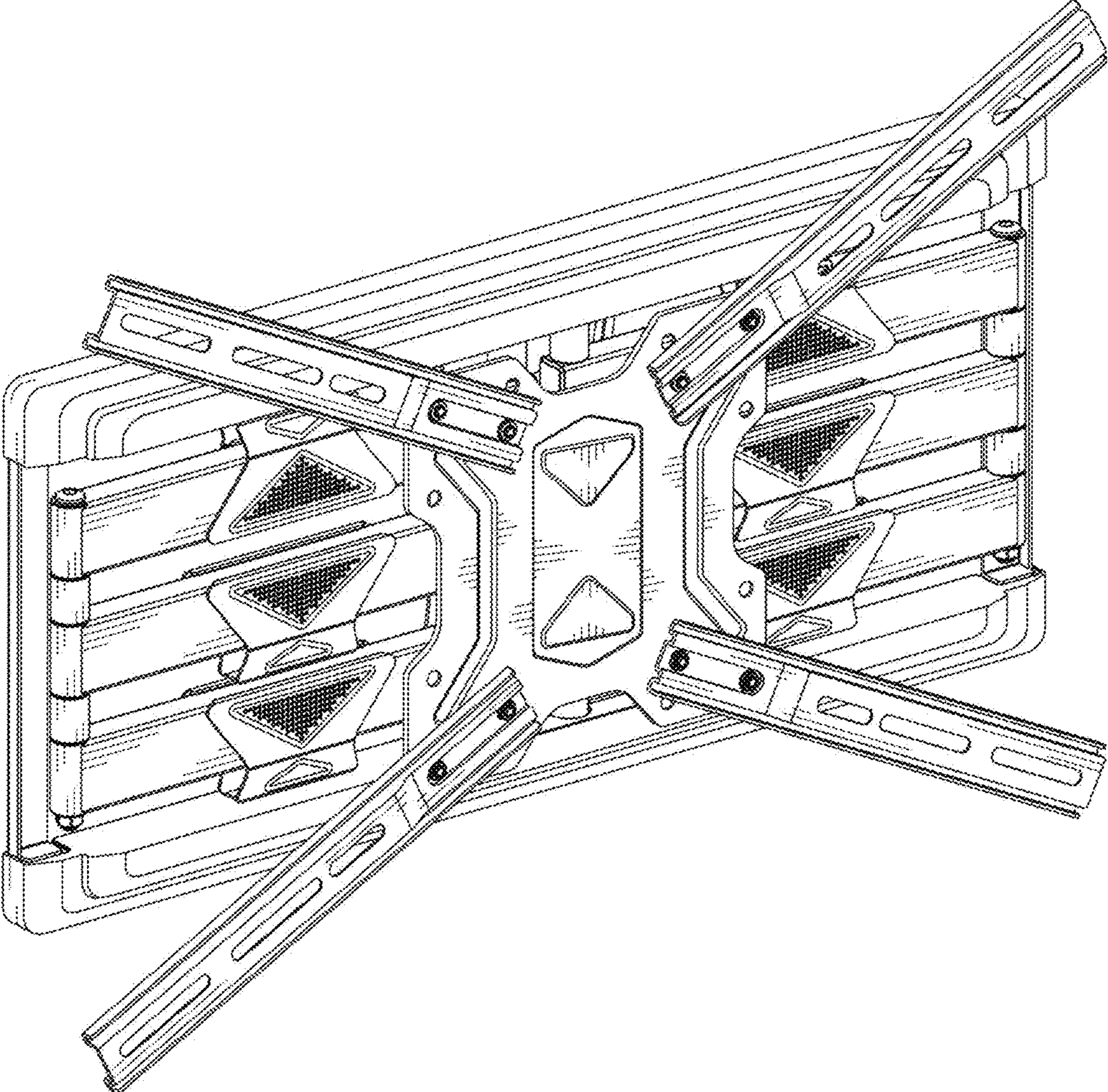


FIG. 7

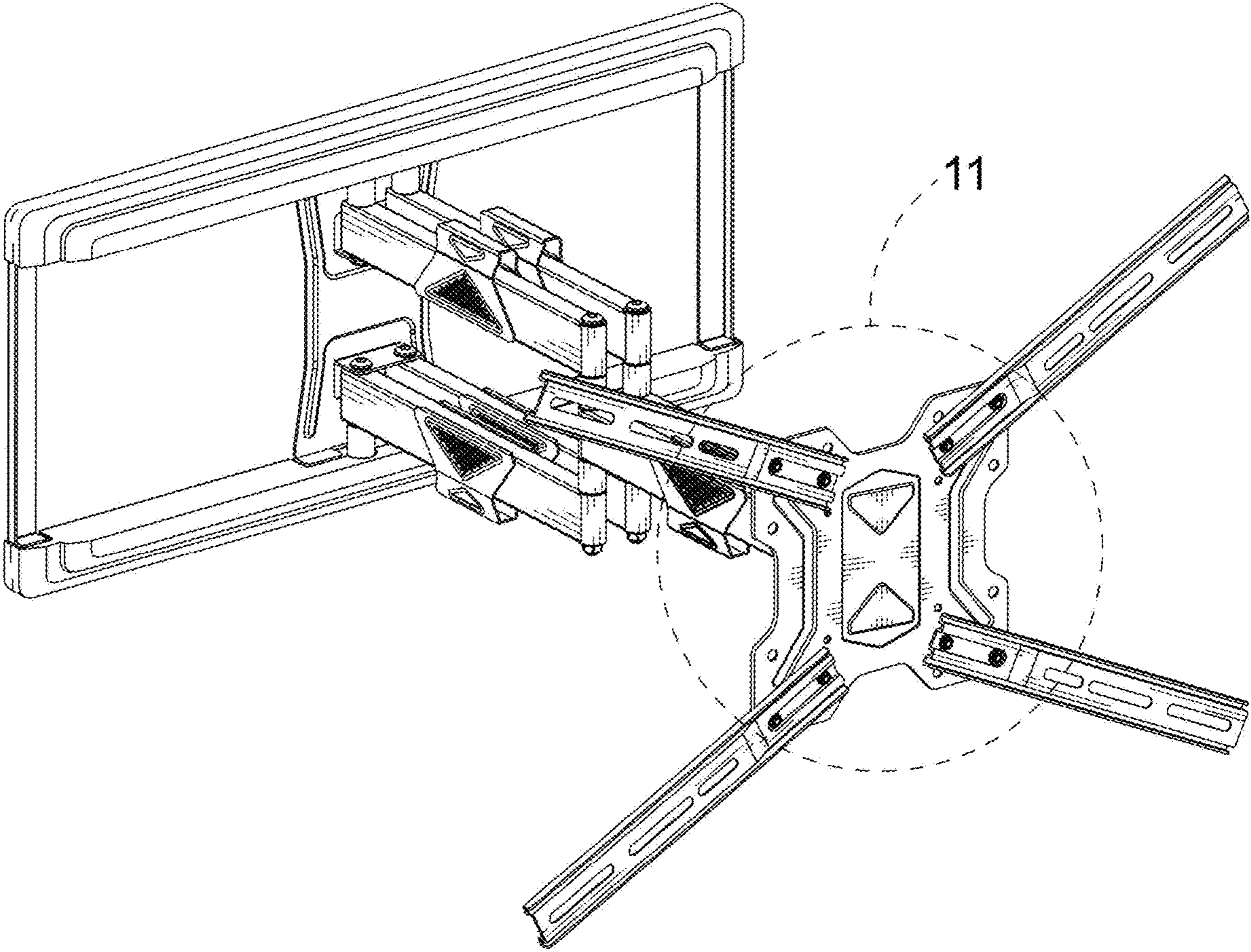


FIG. 8



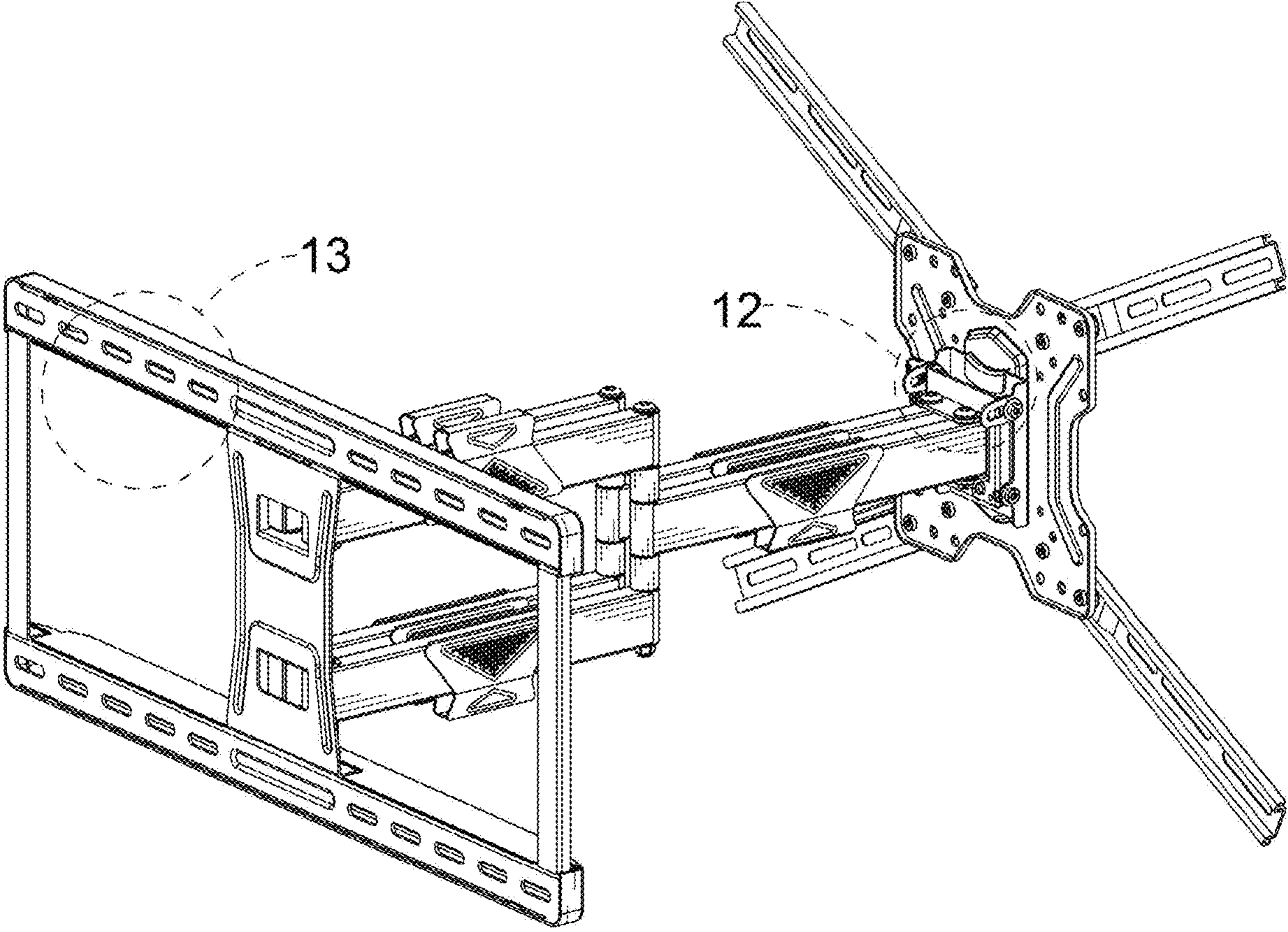


FIG. 9

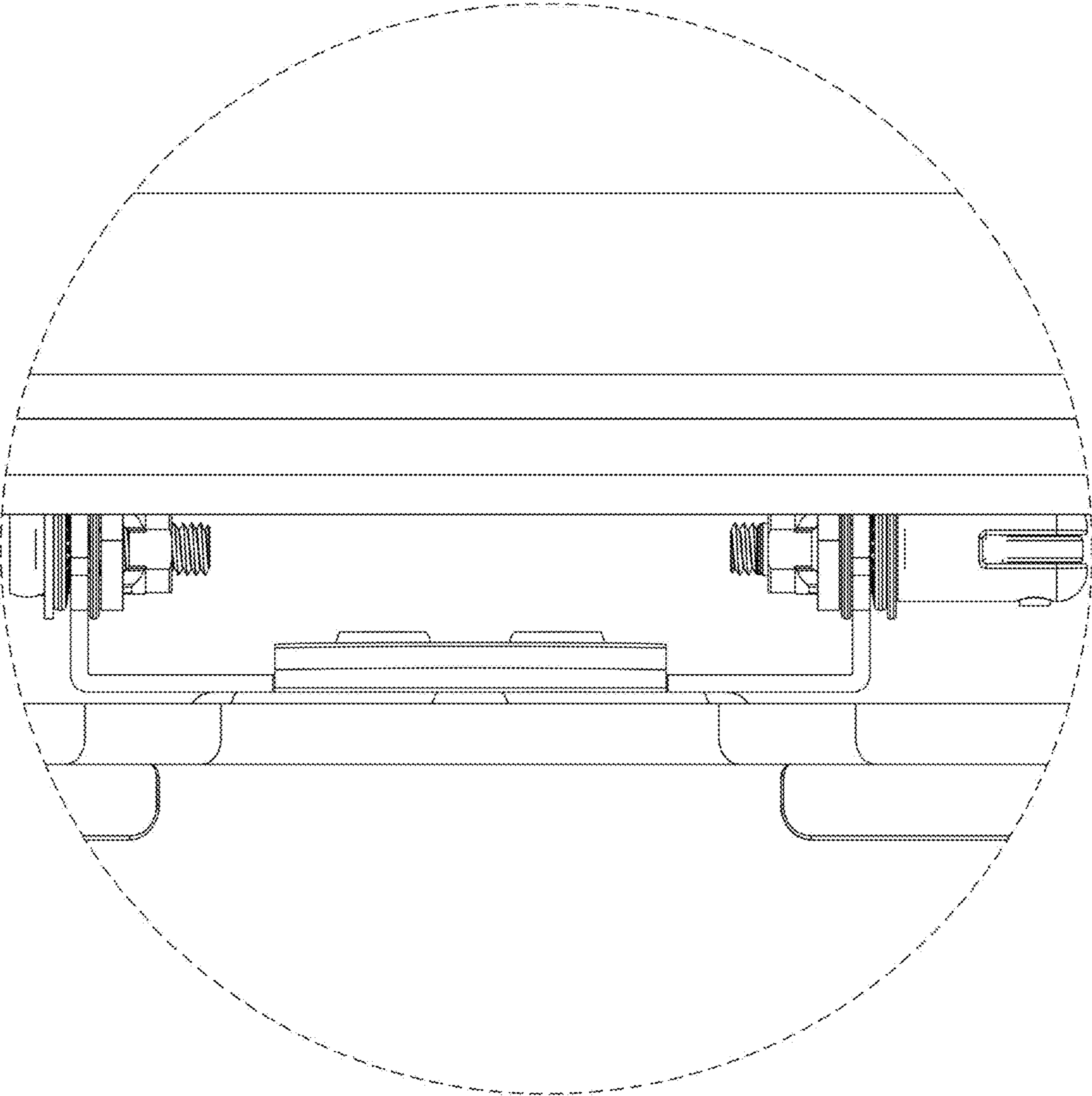


FIG. 10

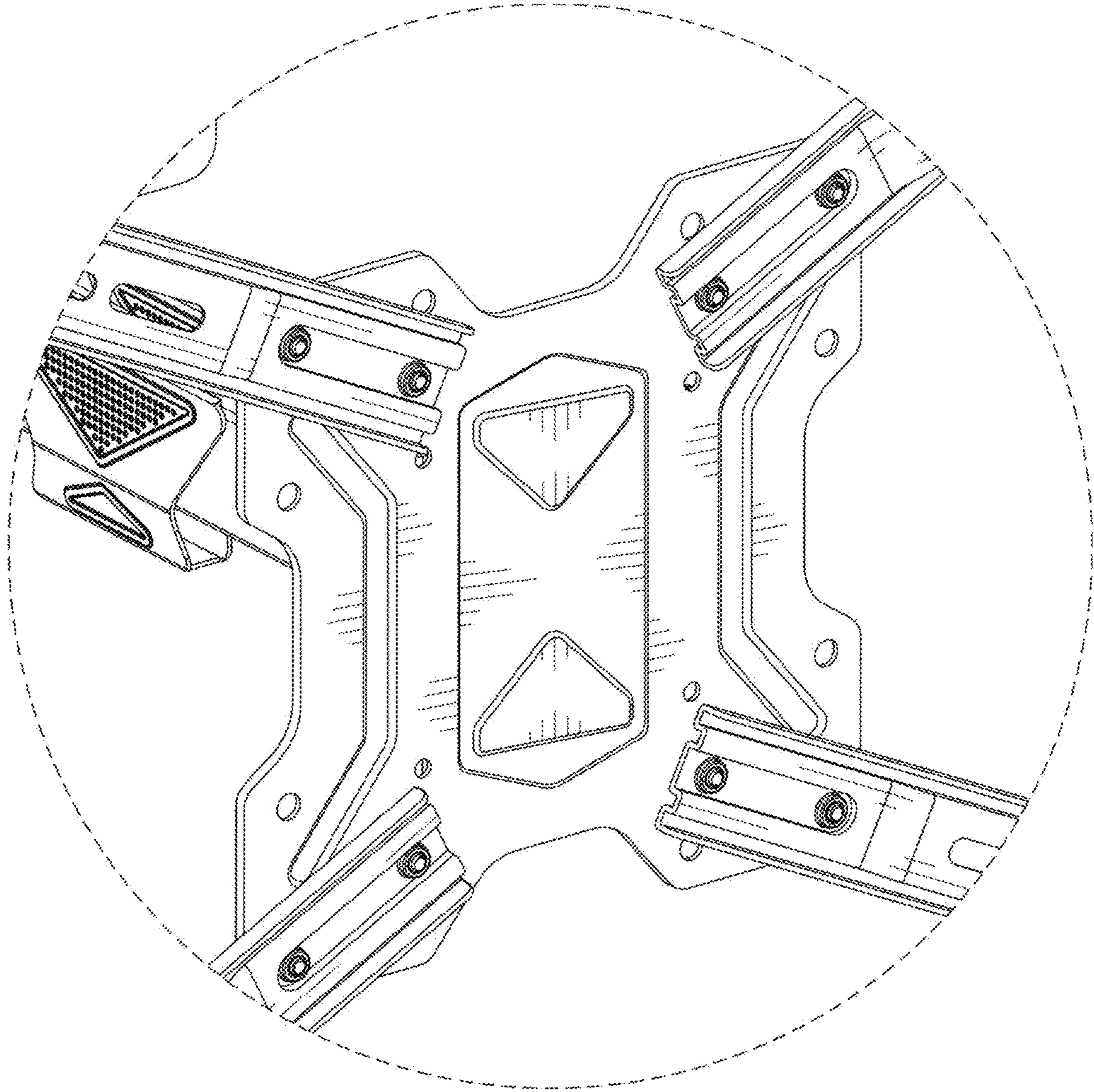


FIG. 11



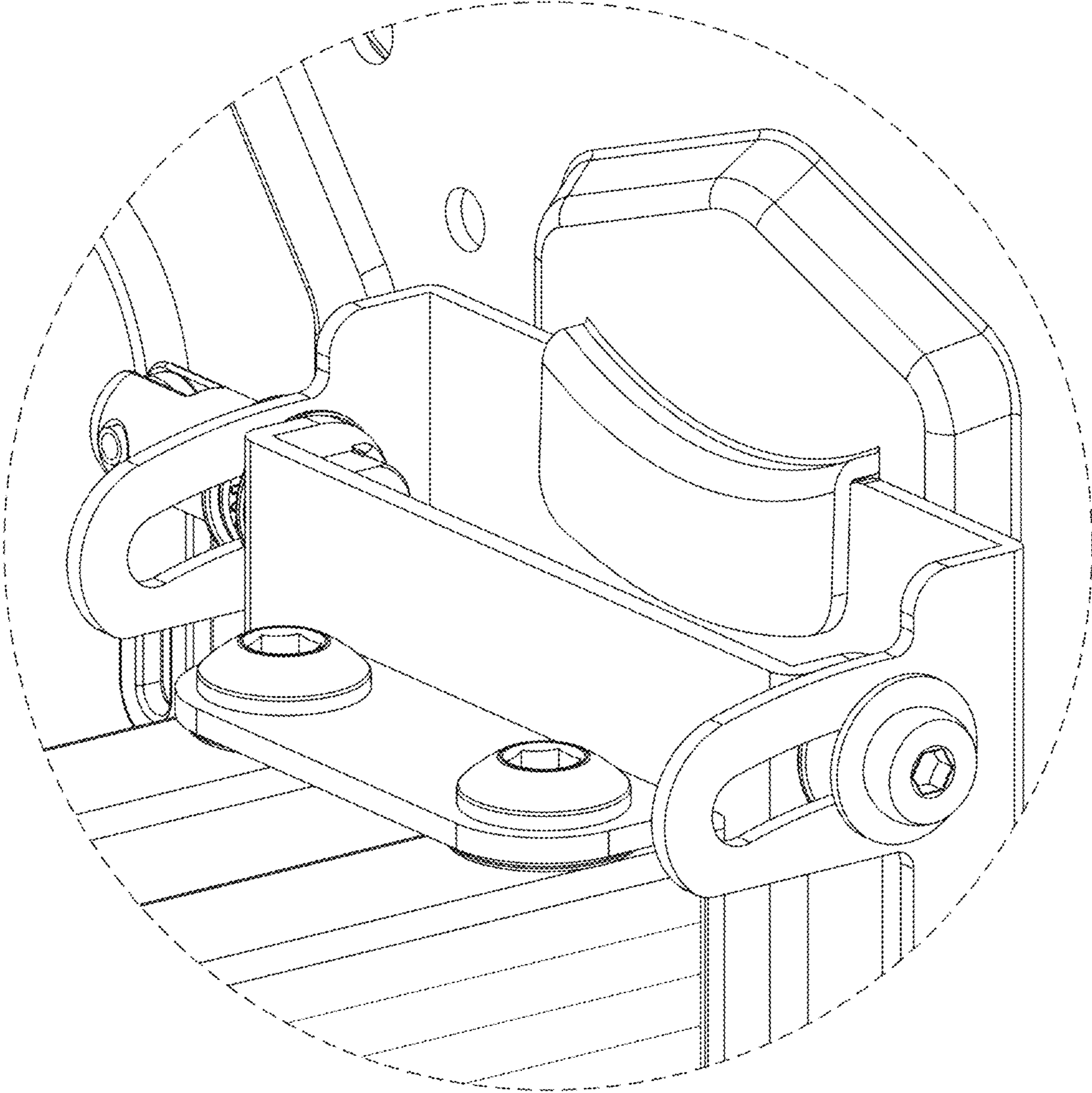


FIG. 12

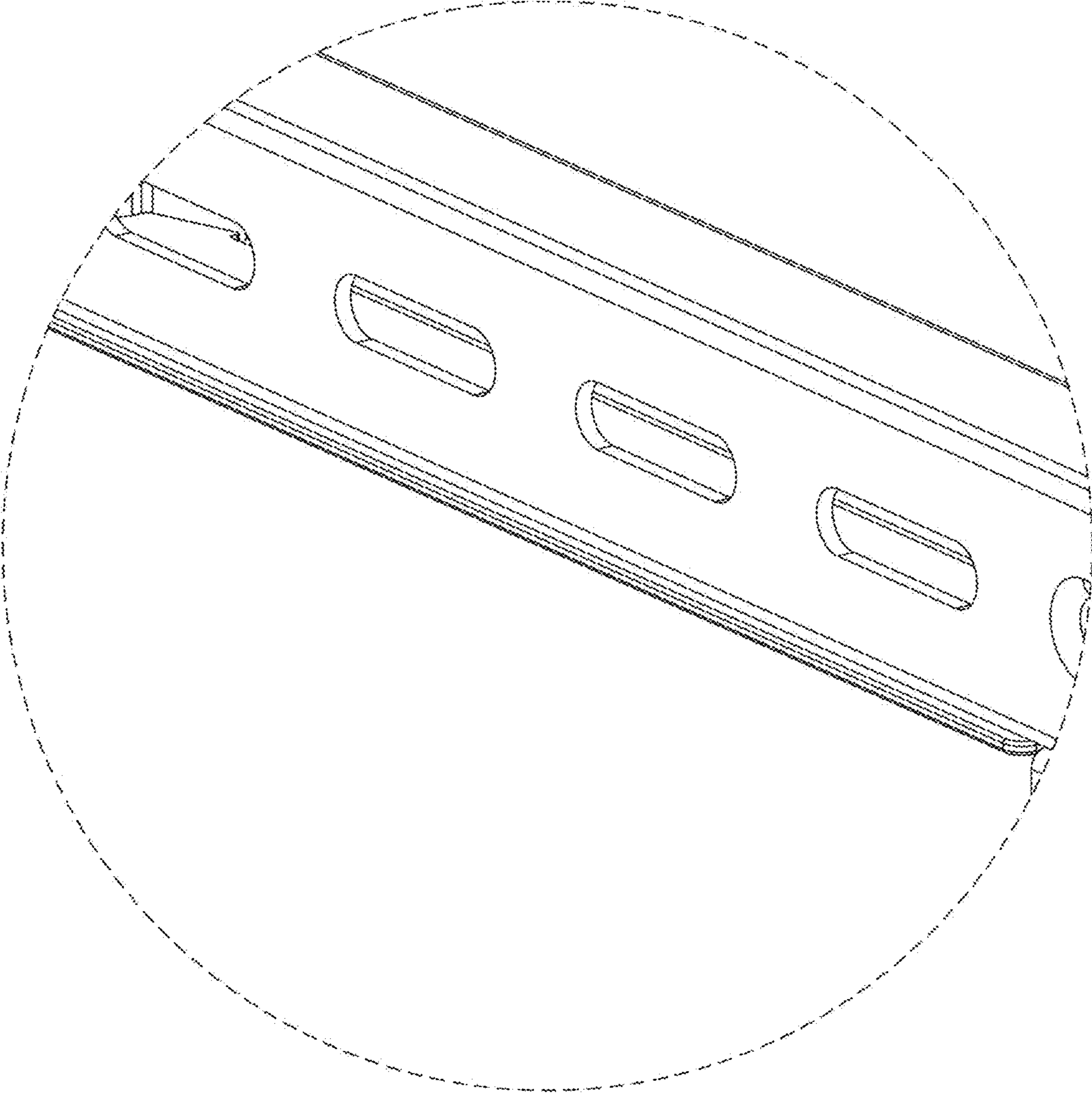


FIG. 13