



US00D915361S

(12) **United States Design Patent** (10) **Patent No.:** **US D915,361 S**  
**Pei** (45) **Date of Patent:** **\*\* Apr. 6, 2021**

(54) **TV MOUNT BRACKET**

(71) Applicant: **Xubo Pei**, Shenzhen (CN)

(72) Inventor: **Xubo Pei**, Shenzhen (CN)

(\*\*) Term: **15 Years**

(21) Appl. No.: **29/702,496**

(22) Filed: **Aug. 20, 2019**

(51) **LOC (13) Cl.** ..... **14-03**

(52) **U.S. Cl.**  
USPC ..... **D14/239**

(58) **Field of Classification Search**  
USPC ..... D14/239, 451, 448, 432, 217, 496, 39,  
D14/371, 374-377; D8/349, 363  
CPC .. A47B 97/001; A47B 81/061; H05K 5/0017;  
A63B 2225/685  
See application file for complete search history.

(56) **References Cited**

**U.S. PATENT DOCUMENTS**

D656,493	S *	3/2012	Dolack	.....	D14/239
D811,375	S *	2/2018	Pei	.....	D14/239
D816,646	S *	5/2018	Pei	.....	D14/239
D822,011	S *	7/2018	Namala	.....	D14/239
D841,631	S *	2/2019	Pei	.....	D14/239
D842,284	S *	3/2019	Pei	.....	D14/239
D848,988	S *	5/2019	Pei	.....	D14/239
D852,805	S *	7/2019	Lyu	.....	D14/452
D877,746	S *	3/2020	Pei	.....	D14/452
D878,382	S *	3/2020	Pei	.....	D14/452
2011/0108688	A1 *	5/2011	Parruck	.....	F16M 11/045 248/217.4
2012/0187264	A1 *	7/2012	Vlies	.....	F16M 11/10 248/220.1
2016/0353885	A1 *	12/2016	Feldman	.....	F16M 11/10
2018/0177299	A1 *	6/2018	Pei	.....	F16M 13/02

(Continued)

**FOREIGN PATENT DOCUMENTS**

CN 305231850 \* 8/2018

**OTHER PUBLICATIONS**

TV Mount, Ultra Slim Tilt Swivel Wall Mount TV Stand, amazon.com, [online], [site visited Oct. 5, 2020], Available from internet URL: [https://www.amazon.com/TV-Mount-Ultra-SwivelStand/dp/B07VY8NWQ2/ref=sr\\_1\\_1204crid=3S8J3810YHCML&dchild=1&keywords=curved+tv+wal%E2%80%A6](https://www.amazon.com/TV-Mount-Ultra-SwivelStand/dp/B07VY8NWQ2/ref=sr_1_1204crid=3S8J3810YHCML&dchild=1&keywords=curved+tv+wal%E2%80%A6) (Year: 2020).\*

(Continued)

*Primary Examiner* — Samantha Q Lawrence

*Assistant Examiner* — Holly M Rodriguez

(74) *Attorney, Agent, or Firm* — Maier & Maier, PLLC

(57) **CLAIM**

The ornamental design for a TV mount bracket, as shown and described.

**DESCRIPTION**

FIG. 1 is a front view of a TV mount bracket showing the new design;

FIG. 2 is a rear view thereof;

FIG. 3 is a left side view thereof;

FIG. 4 is a right side view thereof;

FIG. 5 is a top side view thereof;

FIG. 6 is a bottom side view thereof;

FIG. 7 is a top left perspective view thereof;

FIG. 8 is a top left perspective view thereof showing the TV mount bracket in an alternate position;

FIG. 9 is a rear perspective view thereof showing the TV mount bracket in an alternate position;

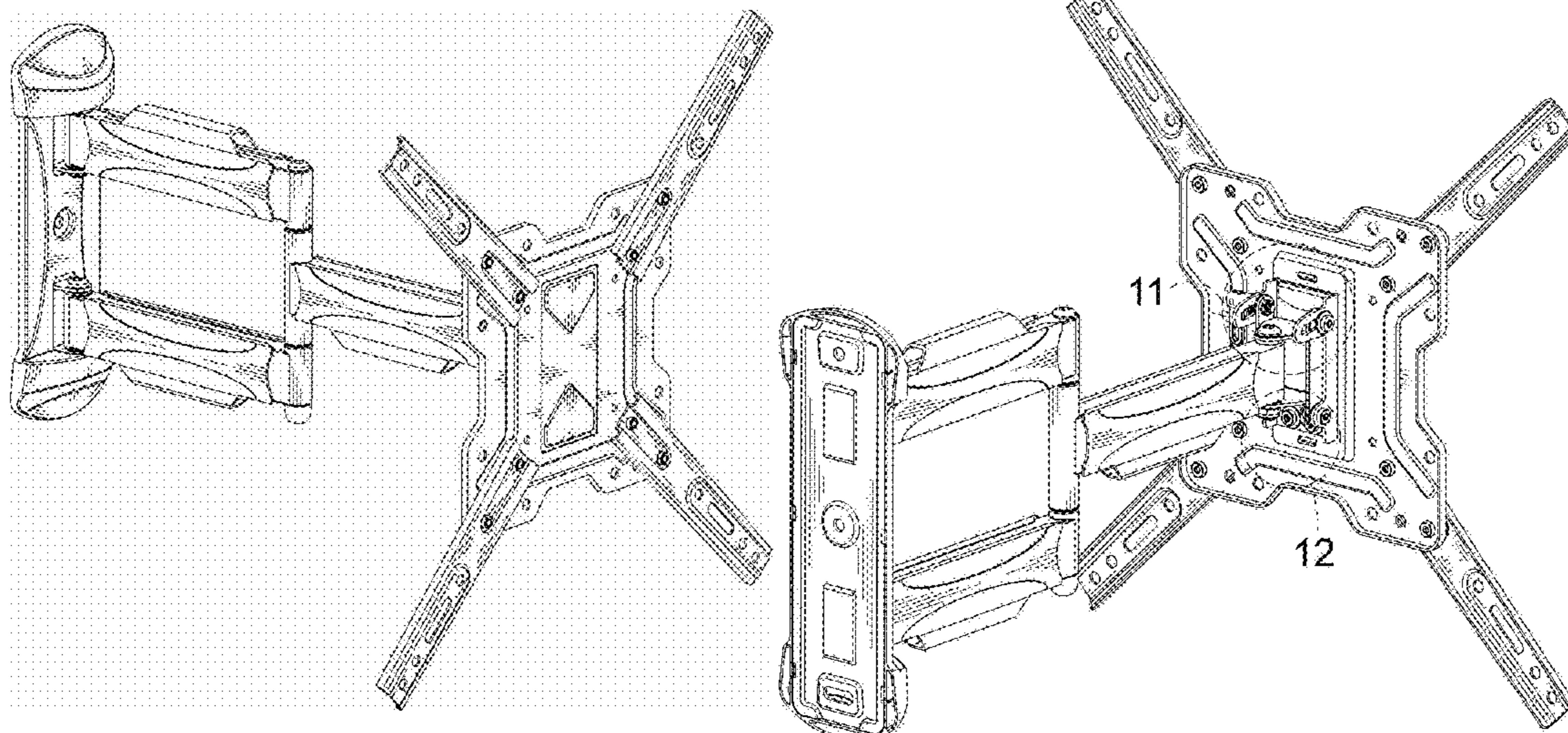
FIG. 10 is an enlarged view of the section indicated by circle 10 in FIG. 6;

FIG. 11 is an enlarged view of the section indicated by circle 11 in FIG. 9; and,

FIG. 12 is an enlarged view of the section indicated by circle 12 in FIG. 9.

The shade lines in the Figures show contour and not surface ornamentation.

**1 Claim, 11 Drawing Sheets**



(56)

**References Cited**

U.S. PATENT DOCUMENTS

2019/0191879 A1\* 6/2019 Pei ..... F16M 11/105  
2019/0245259 A1\* 8/2019 Barkan ..... F16M 11/2014

OTHER PUBLICATIONS

MOUNTUP TV Wall Mounts TV Bracket, Nov. 3, 2019, amazon.com, [online], [site visited Oct. 5, 2020], Available from internet URL: [https://www.amazon.com/MOUNTUP-17-7-Inch-Articulating-400x400mm-MU0009/dp/B07ZYV3LP3/ref=sr\\_1\\_60?crid=3S8J3810YHCML&dchild=1&%E2%80%A6](https://www.amazon.com/MOUNTUP-17-7-Inch-Articulating-400x400mm-MU0009/dp/B07ZYV3LP3/ref=sr_1_60?crid=3S8J3810YHCML&dchild=1&%E2%80%A6) (Year: 2019).\*

\* cited by examiner

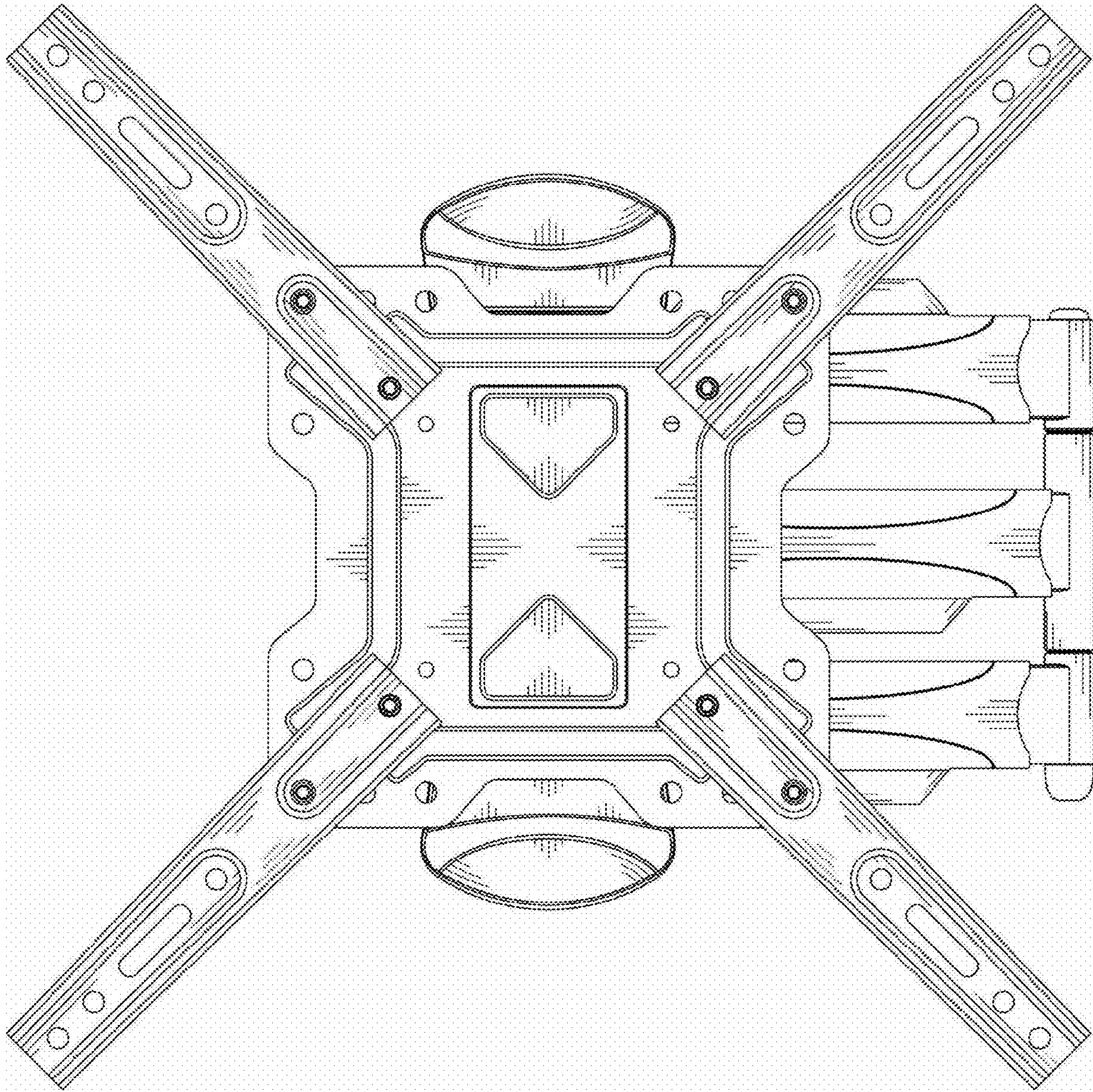


FIG. 1

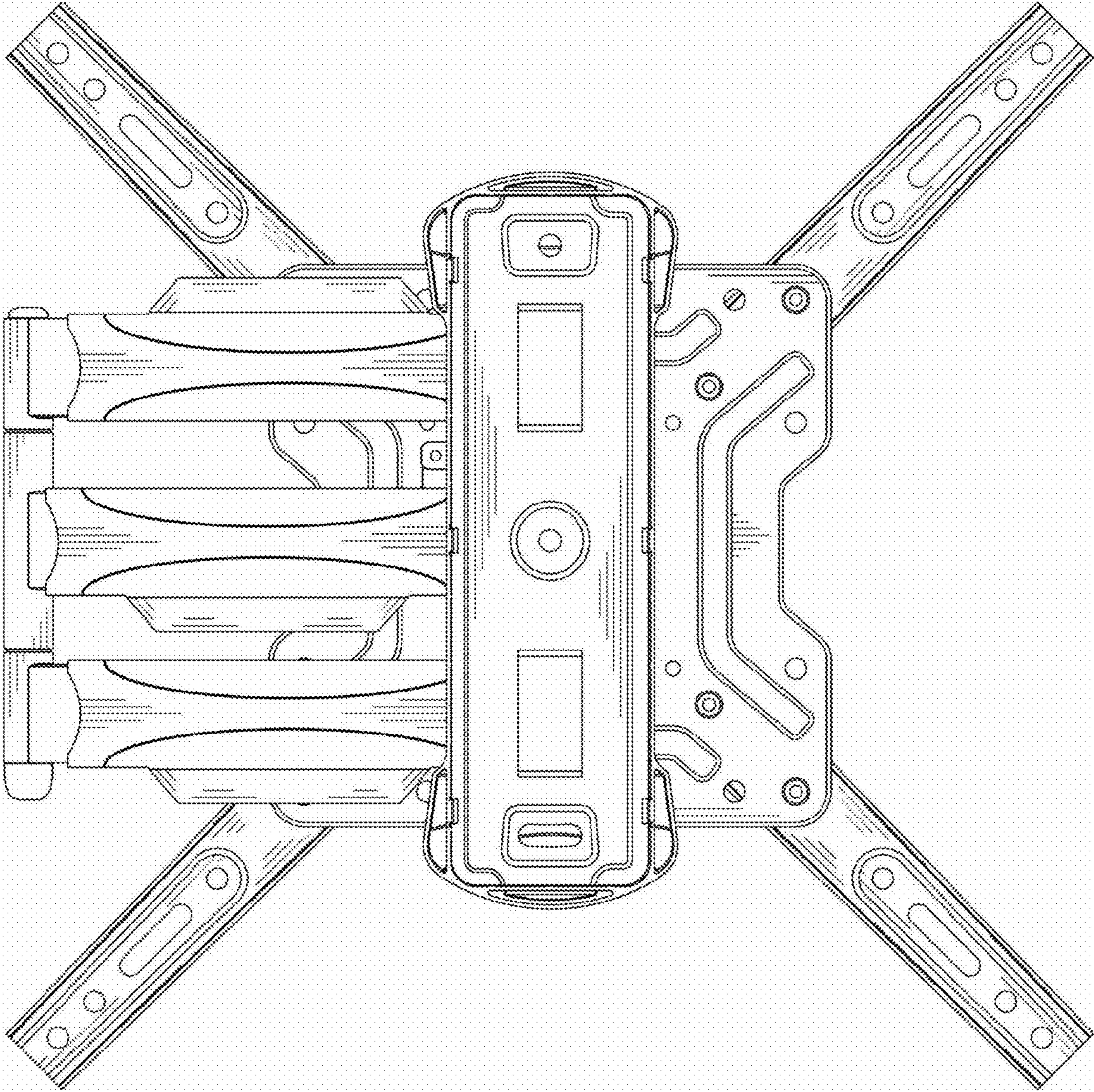


FIG. 2

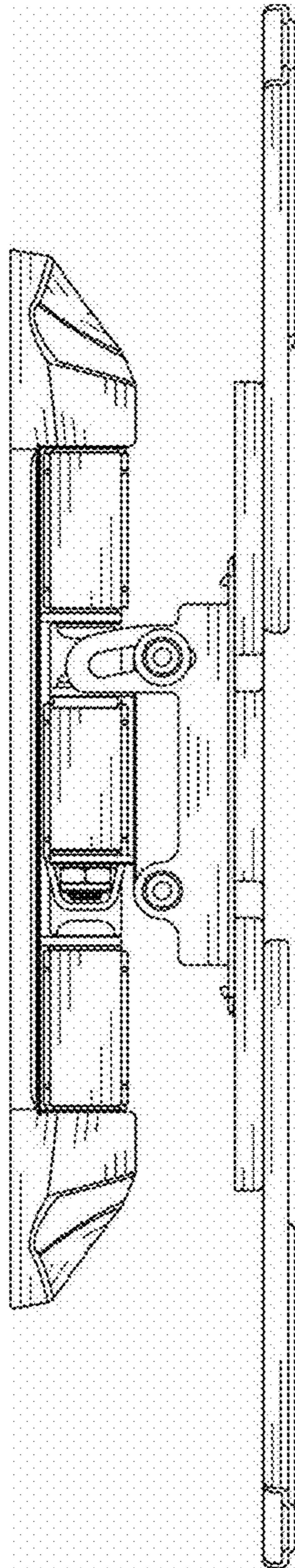


FIG. 3

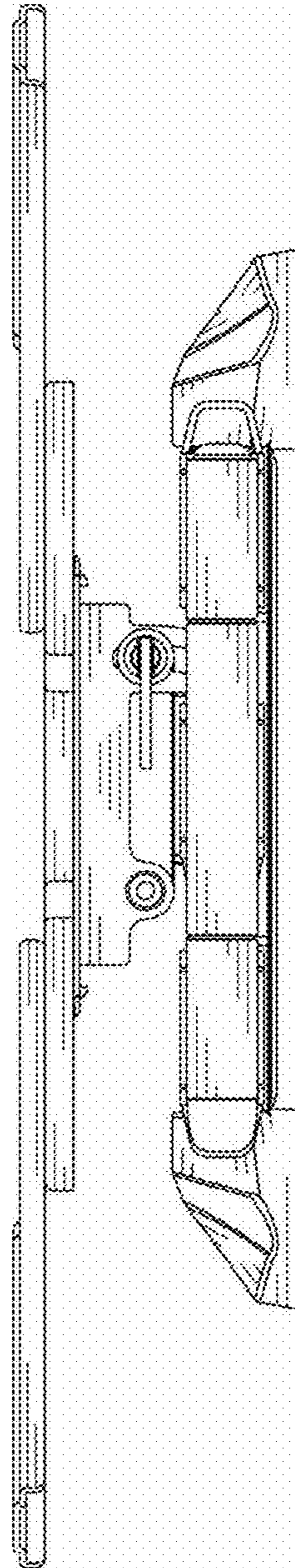


FIG. 4

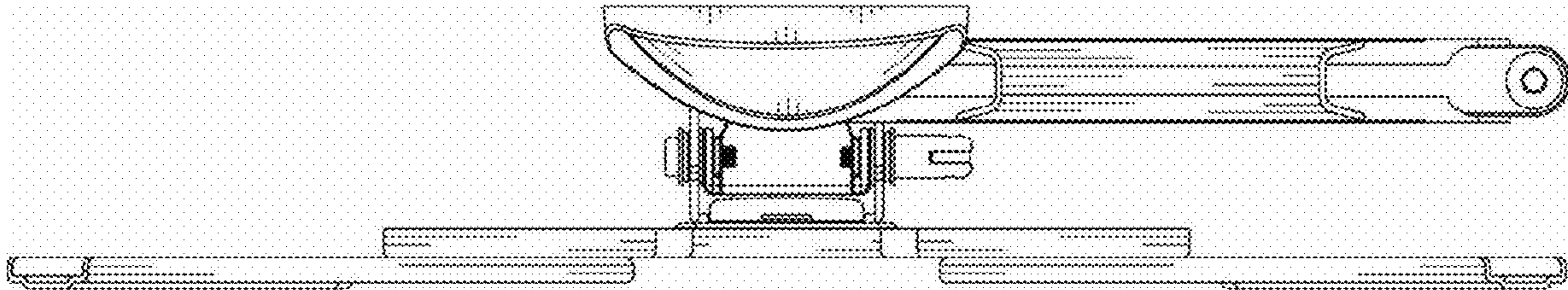


FIG. 5

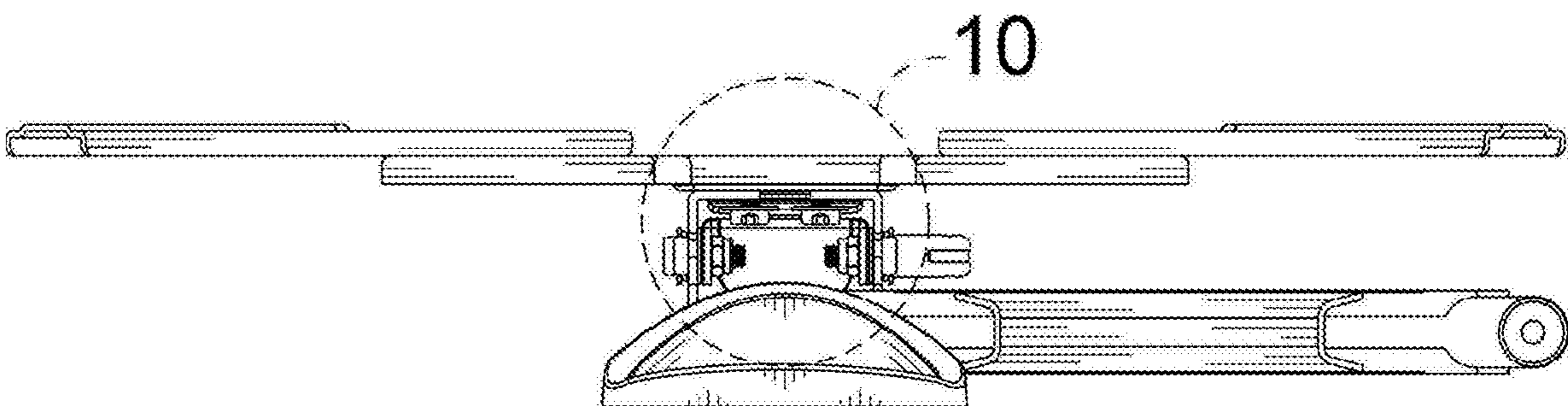


FIG. 6

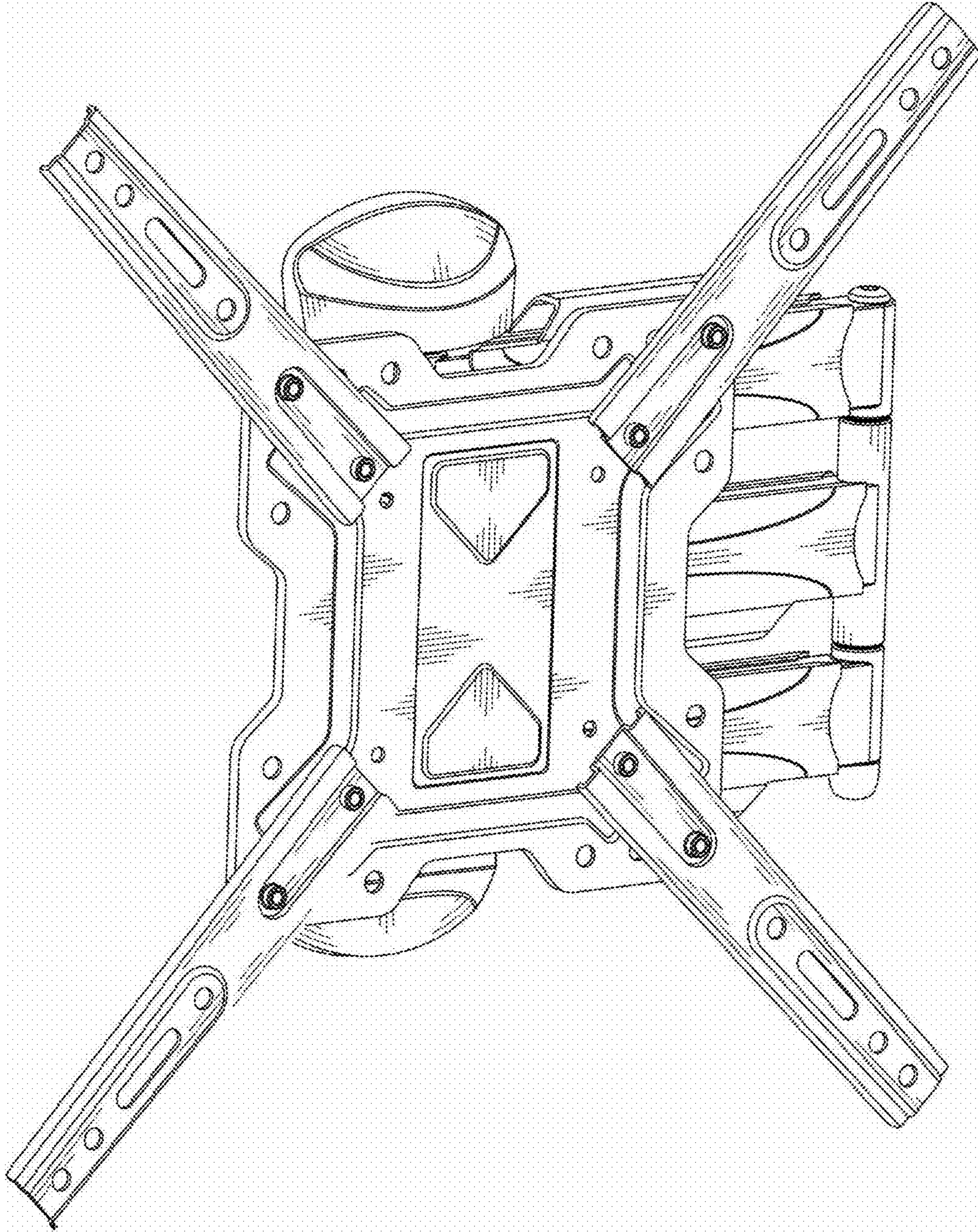


FIG. 7



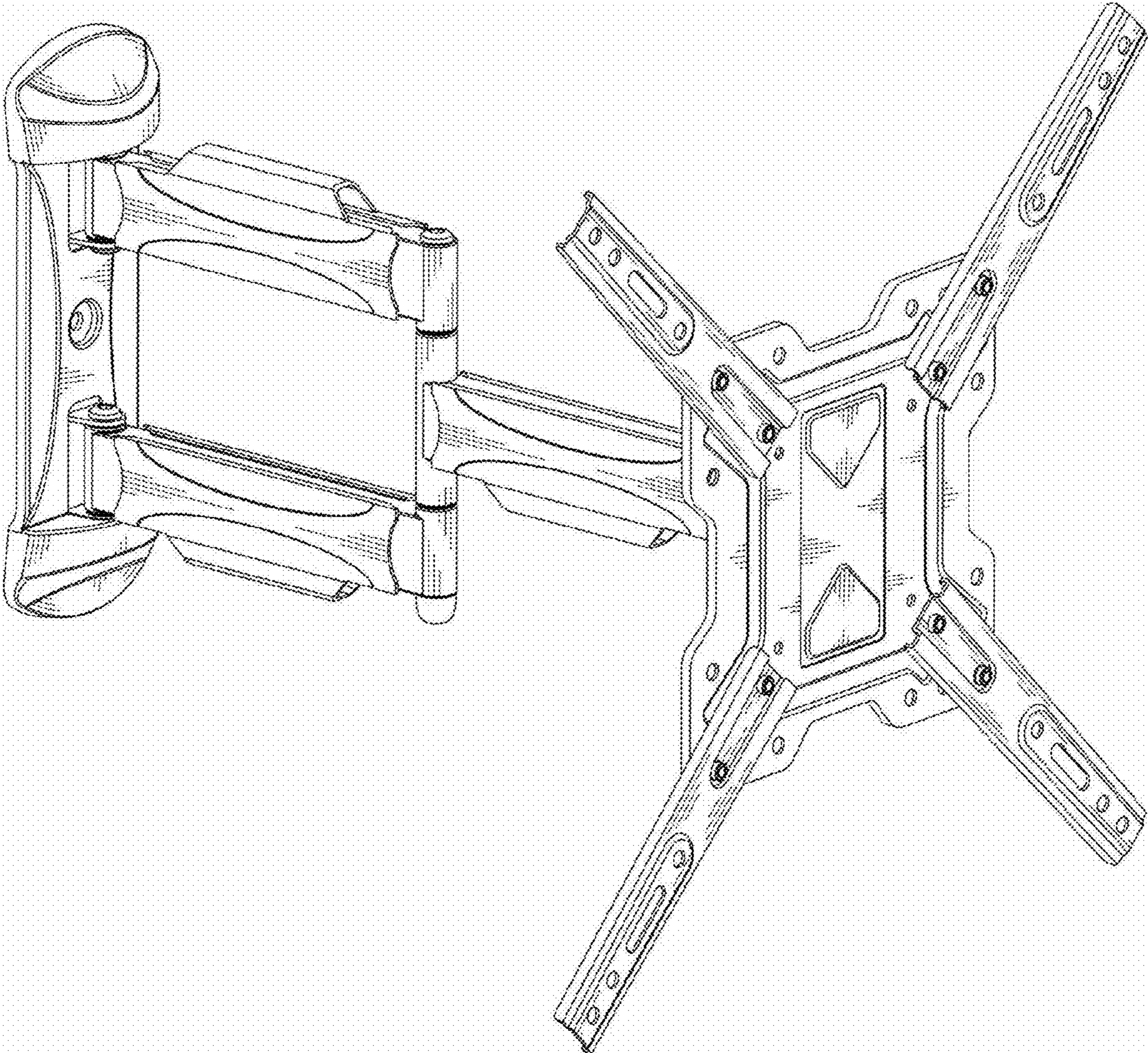


FIG. 8

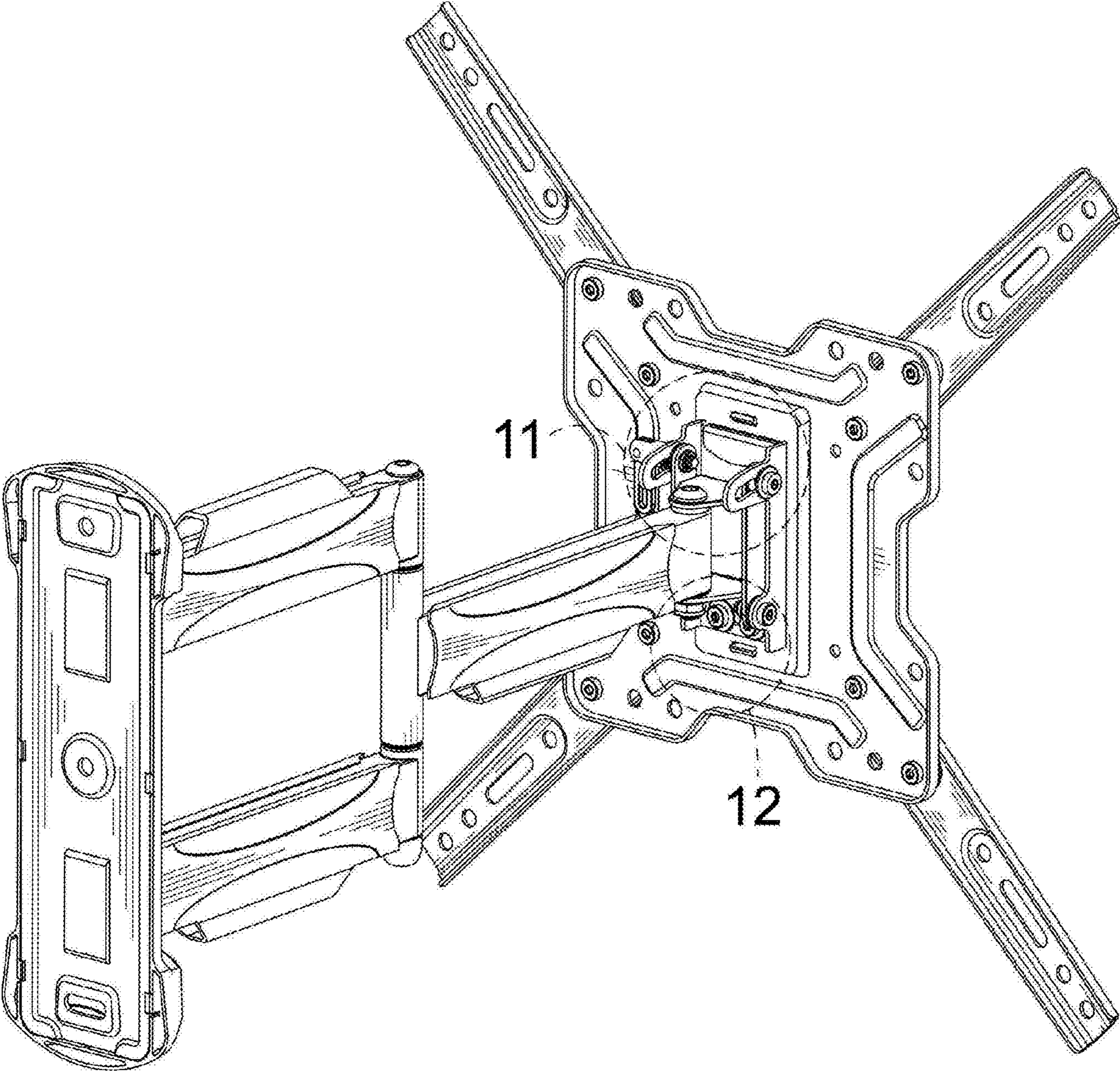


FIG. 9

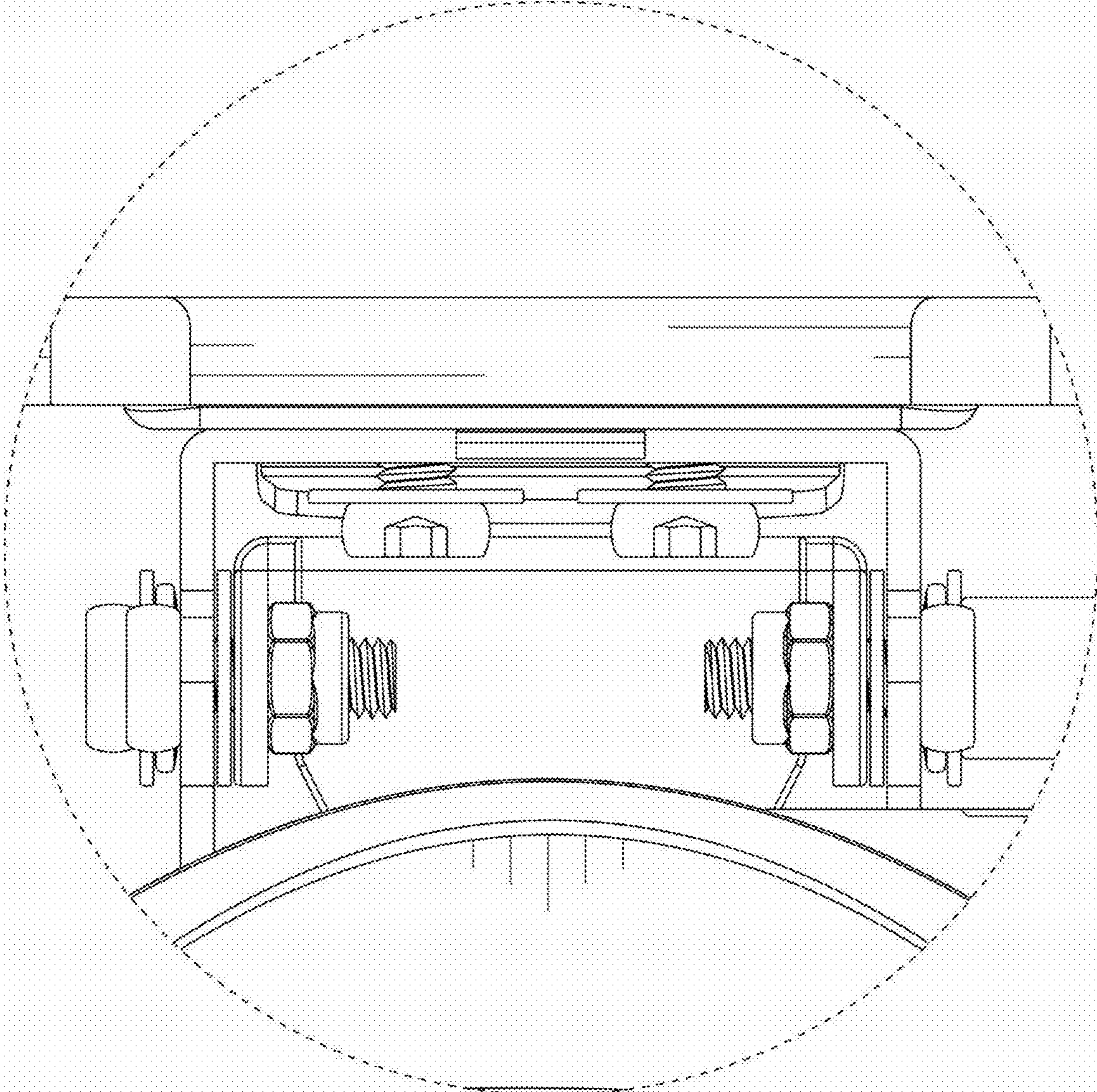


FIG. 10

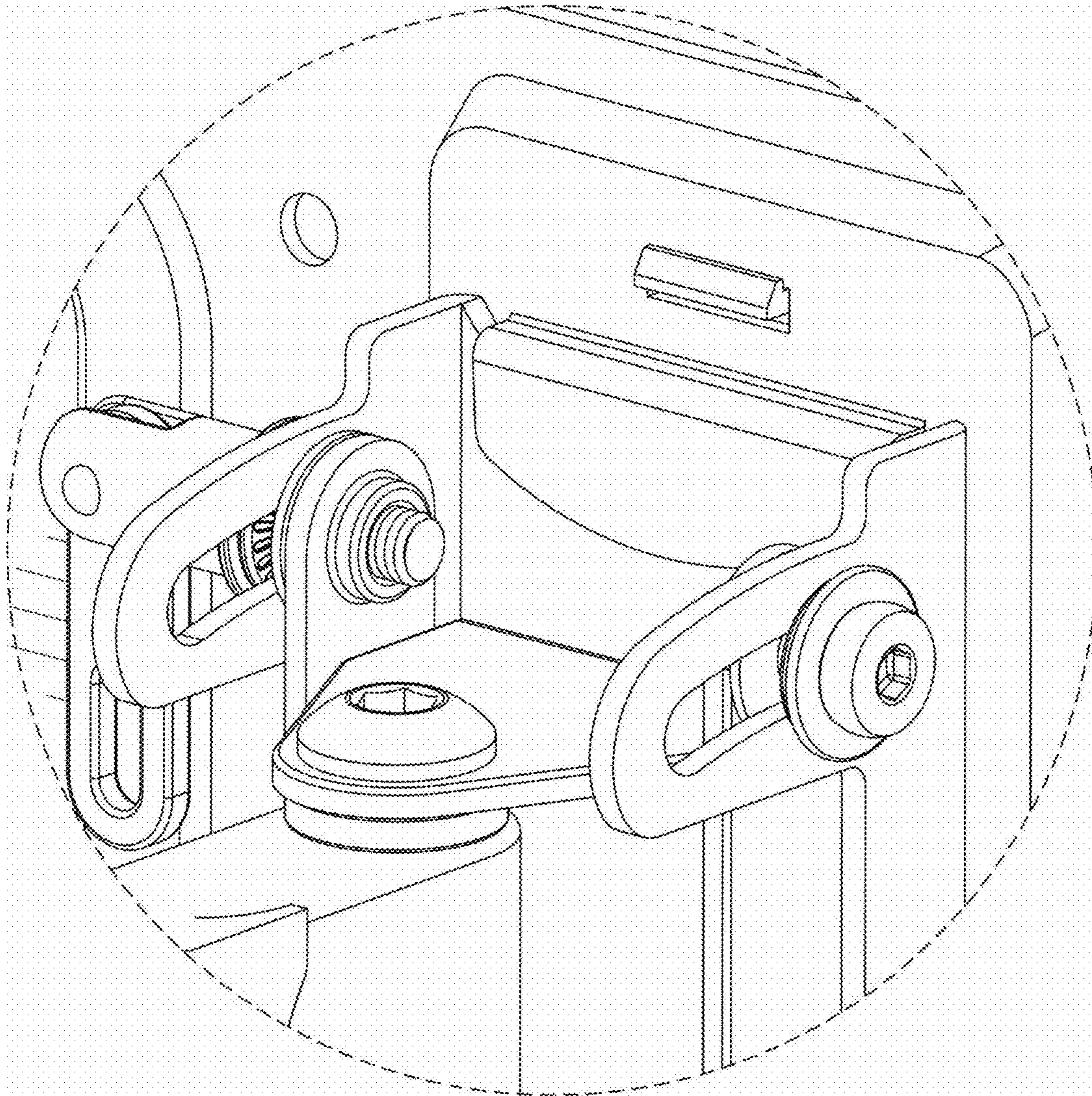


FIG. 11

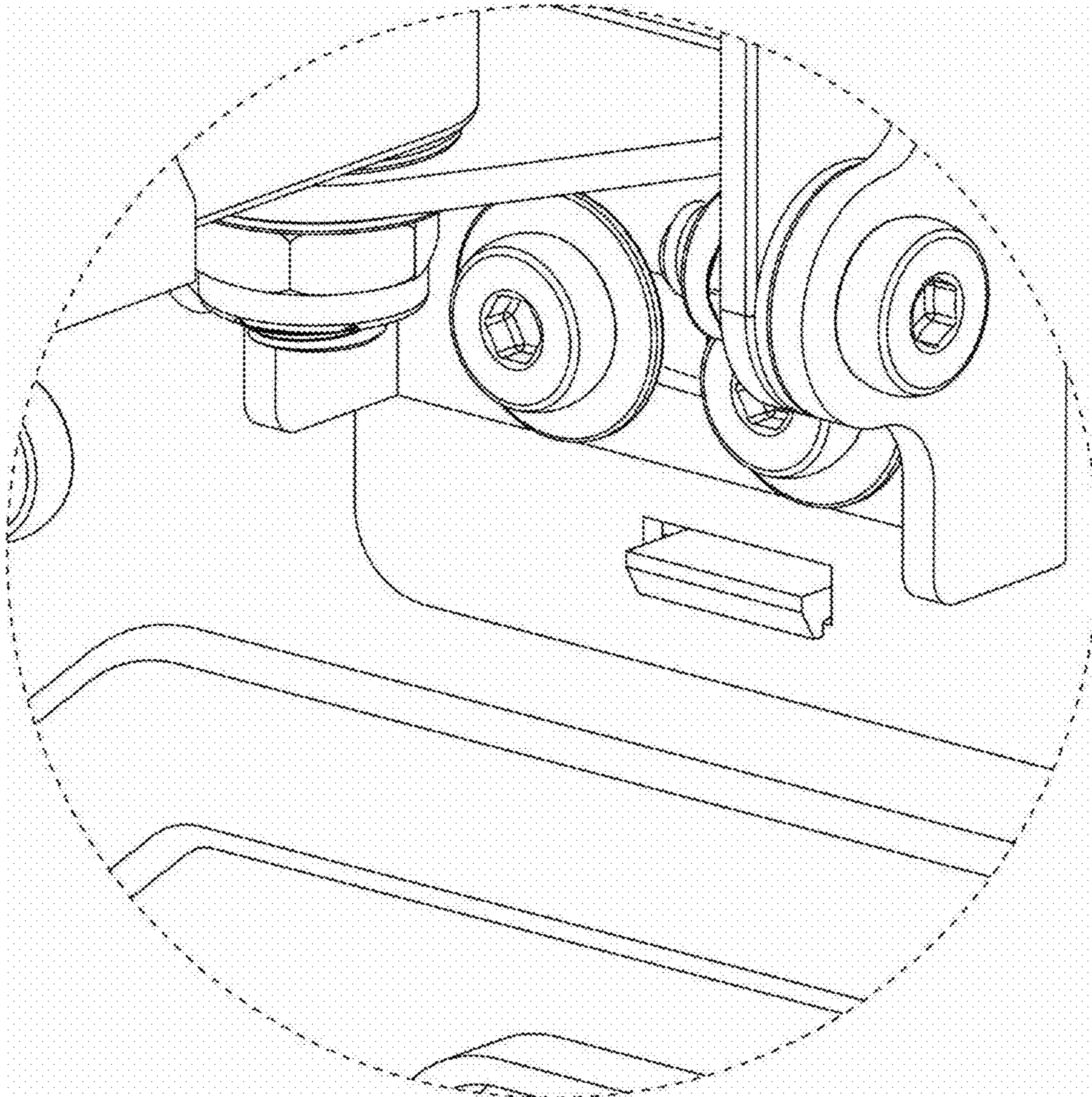


FIG. 12