



US00D915360S

(12) **United States Design Patent** (10) **Patent No.:** **US D915,360 S**
Lee et al. (45) **Date of Patent:** **** Apr. 6, 2021**

(54) **VOICE RECOGNITION DEVICE FOR TELEVISION**

(71) Applicant: **LG Electronics Inc.**, Seoul (KR)

(72) Inventors: **Yongho Lee**, Seoul (KR); **Joe Hyun**, Seoul (KR)

(73) Assignee: **LG ELECTRONICS INC.**, Seoul (KR)

(**) Term: **15 Years**

(21) Appl. No.: **35/507,442**

(22) Filed: **Feb. 27, 2019**

(80) **Hague Agreement Data**

Int. Filing Date: **Feb. 27, 2019**
Int. Reg. No.: **DM/202590**
Int. Reg. Date: **Feb. 27, 2019**
Int. Reg. Pub. Date: **Sep. 13, 2019**

(30) **Foreign Application Priority Data**

Aug. 27, 2018 (KR) 30-2018-0039816

(51) **LOC (13) Cl.** **14-01**

(52) **U.S. Cl.**
USPC **D14/225**

(58) **Field of Classification Search**
USPC D14/125, 129, 130, 203.3, 203.6, 205, D14/206, 223, 225, 250-253, 507-509; D24/174; D13/208; D16/200, 208
CPC H04R 1/1008; H04R 1/1016
See application file for complete search history.

(56) **References Cited**

U.S. PATENT DOCUMENTS

D317,162 S * 5/1991 Wingate D14/167
D320,793 S * 10/1991 Wingate D14/165
D332,787 S * 1/1993 Davis D14/160

D489,057 S * 4/2004 Obata D14/225
D533,887 S * 12/2006 Logan D16/208
D545,300 S * 6/2007 Hong D14/214
D555,146 S * 11/2007 Sandy D14/167
D570,390 S * 6/2008 Goto D14/226
D572,116 S * 7/2008 Schaefer D14/229
D600,730 S * 9/2009 Su D16/202
D641,388 S * 7/2011 Shih D16/202

(Continued)

Primary Examiner — L. A. Grabenstetter

(74) *Attorney, Agent, or Firm* — Birch, Stewart, Kolasch & Birch, LLP

(57) **CLAIM**

The ornamental design for a voice recognition device for television, as shown and described.

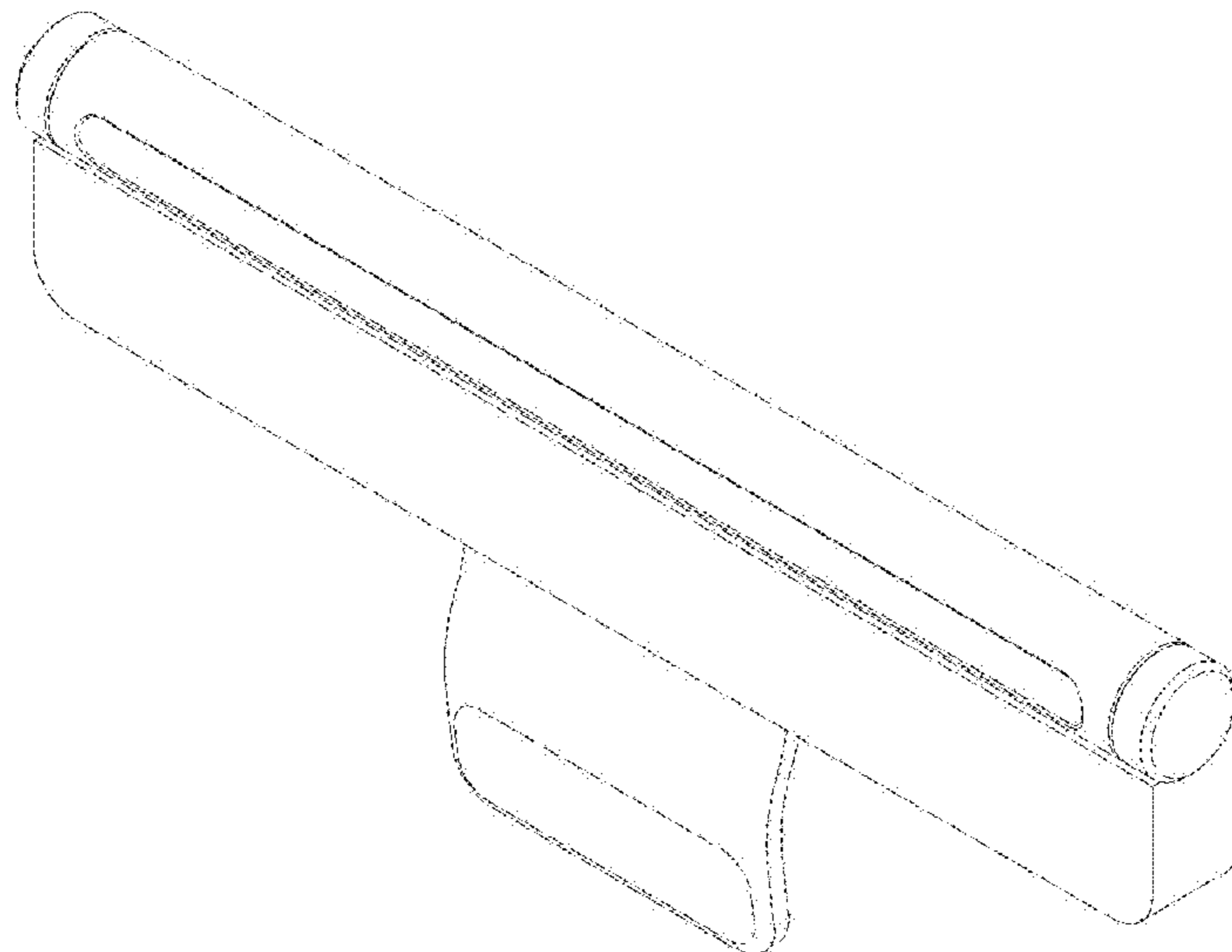
DESCRIPTION

- 1. Voice recognition device for television
- 1.1 : Perspective
- 1.2 : Front
- 1.3 : Back
- 1.4 : Left
- 1.5 : Top
- 1.6 : Bottom
- 1.7 : Perspective, shown in use
- 1.8 : Right, shown in use

The broken lines depicting a television in reproductions 1.7 and 1.8 represent environmental subject matter which forms no part of the claimed design.

Reproduction 1.1 is a front perspective view of the voice recognition device for television; reproduction 1.2 is a front view thereof; reproduction 1.3 is a back view thereof; reproduction 1.4 is a left view thereof where the right view is a mirror image; reproduction 1.5 is a top view thereof; reproduction 1.6 is a bottom view thereof; reproduction 1.7 is a perspective view showing an example in a state where the claimed design is attached to the upper part of the rear of the television; and reproduction 1.8 is a right view showing a right view of reproduction 1.7.

1 Claim, 8 Drawing Sheets



(56)

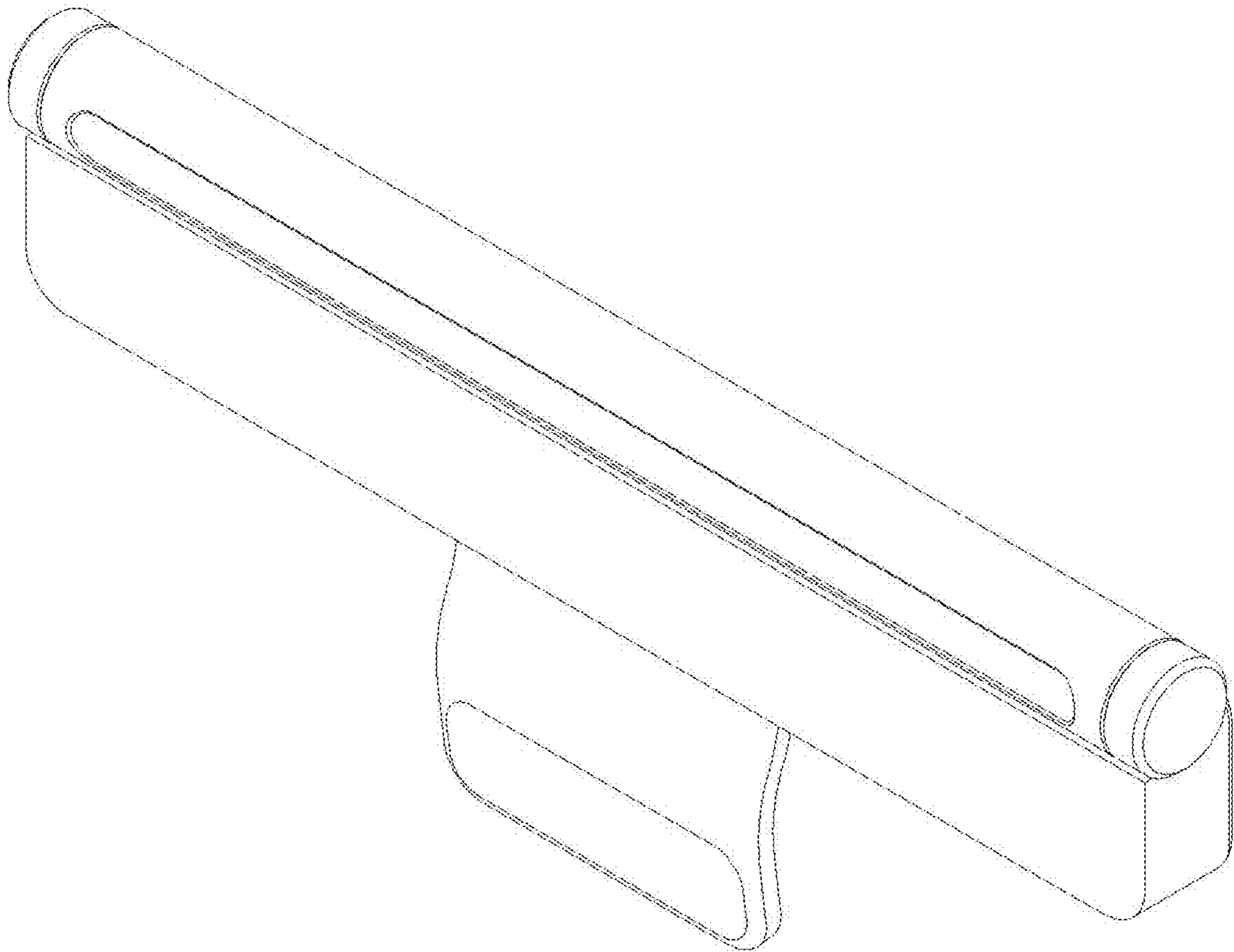
References Cited

U.S. PATENT DOCUMENTS

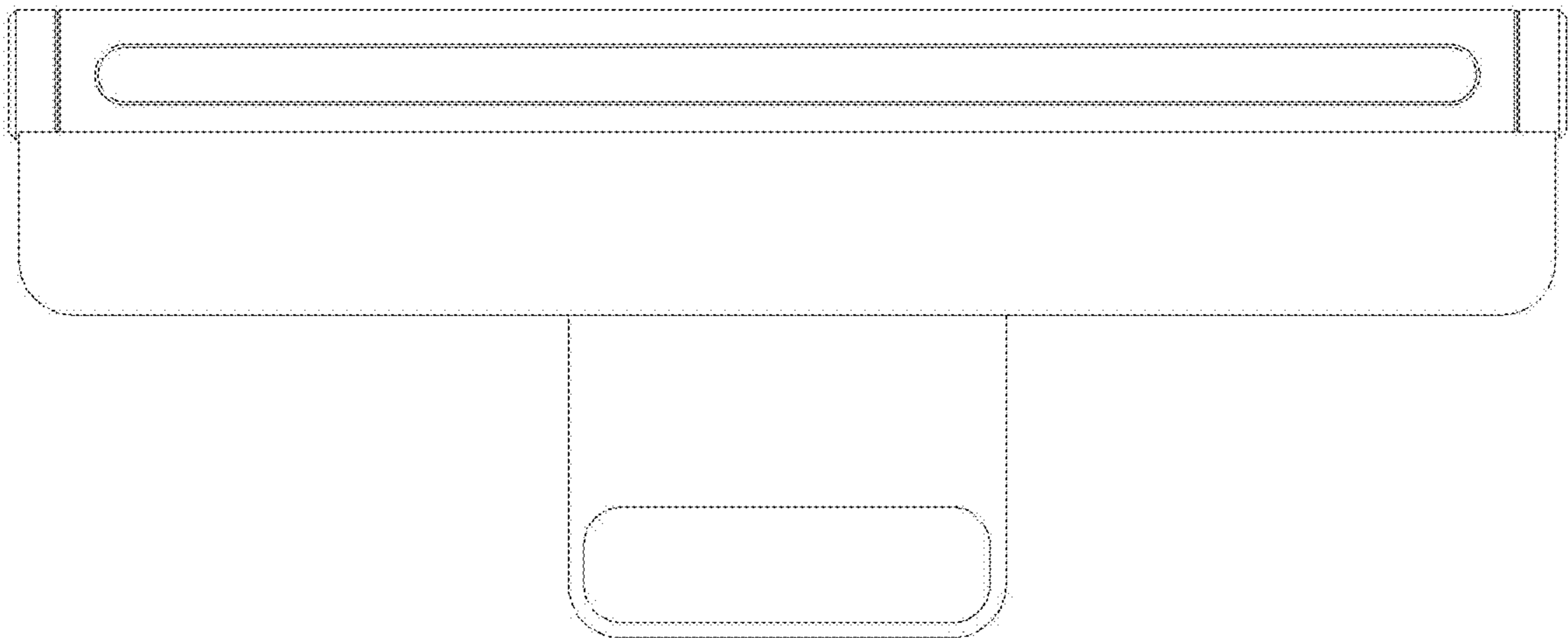
8,046,223 B2 * 10/2011 Jin G10L 15/20
704/251
8,054,378 B2 * 11/2011 Kao H04N 5/2252
348/373
D658,163 S * 4/2012 Iikura D14/225
D680,569 S * 4/2013 Lee D16/202
8,475,059 B2 * 7/2013 Khamsepoor H04N 5/2251
348/373
D703,194 S * 4/2014 Jacobs D14/225
D705,845 S * 5/2014 Chung D12/193
D709,047 S * 7/2014 Jennings D14/167
D750,601 S * 3/2016 Williams D14/225
D751,532 S * 3/2016 Chen D14/225
D803,174 S * 11/2017 Coffey D14/125
D814,446 S * 4/2018 Sunwoo D14/227
D815,171 S * 4/2018 Cho D16/200

* cited by examiner

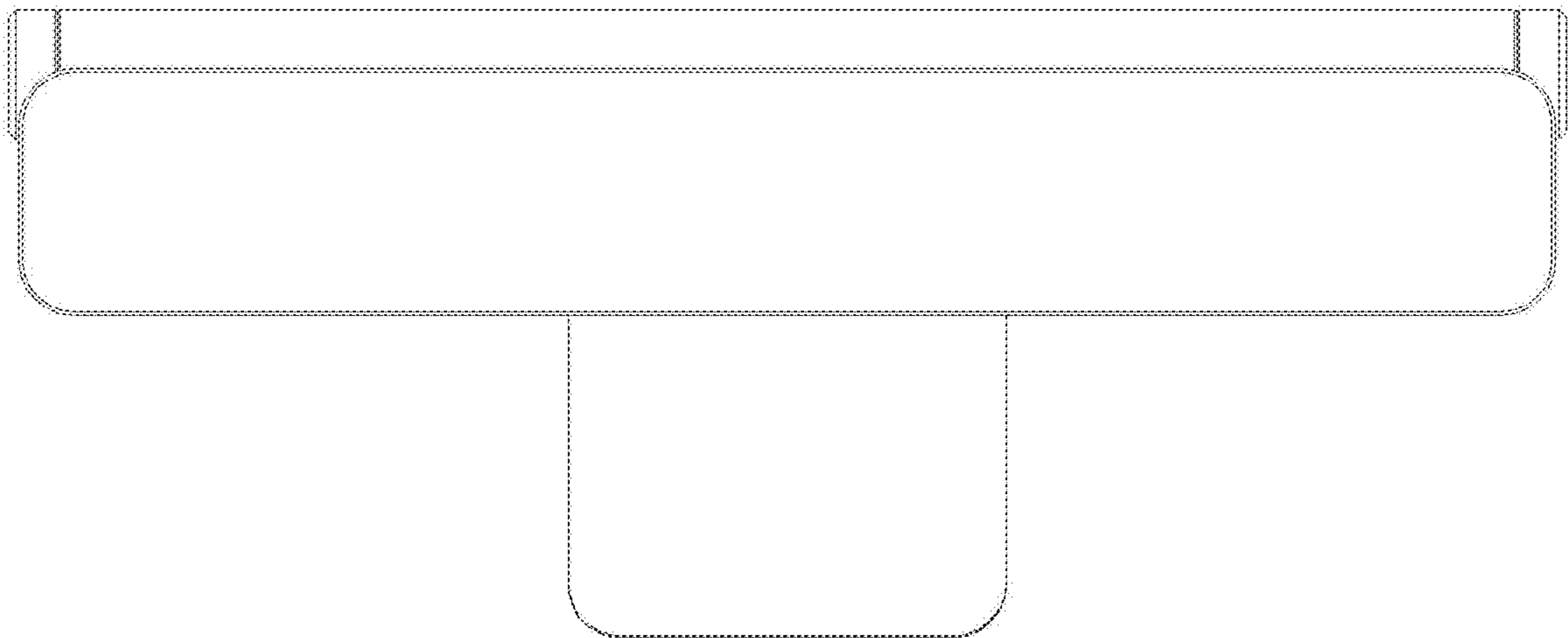
1.1



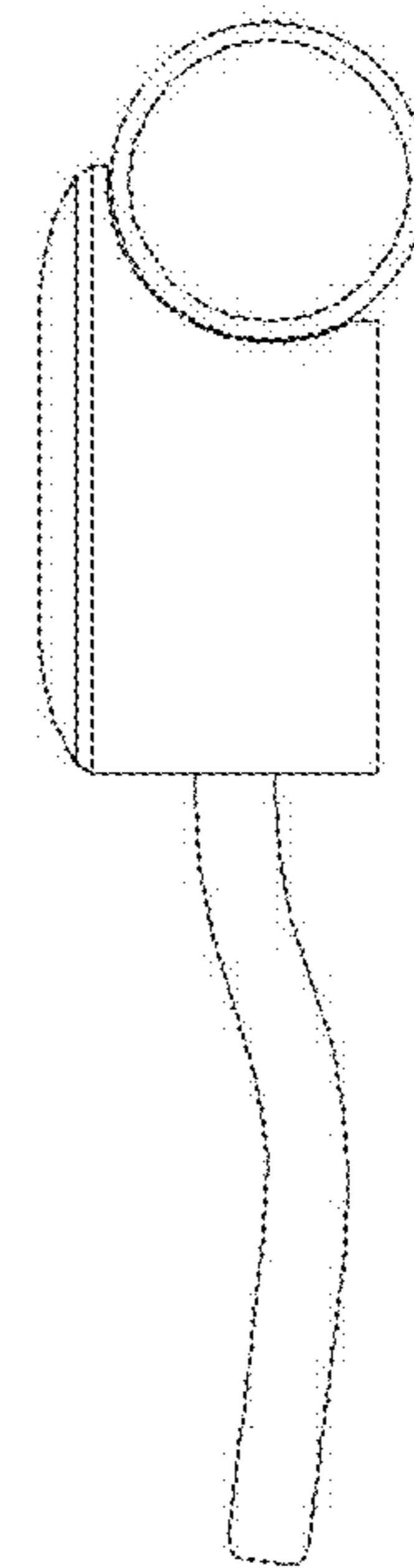
1.2



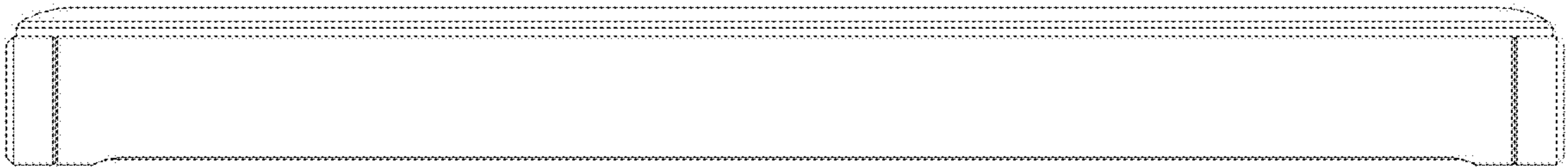
1.3



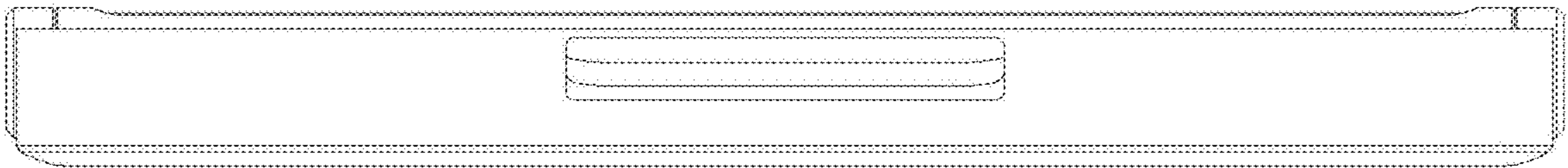
1.4



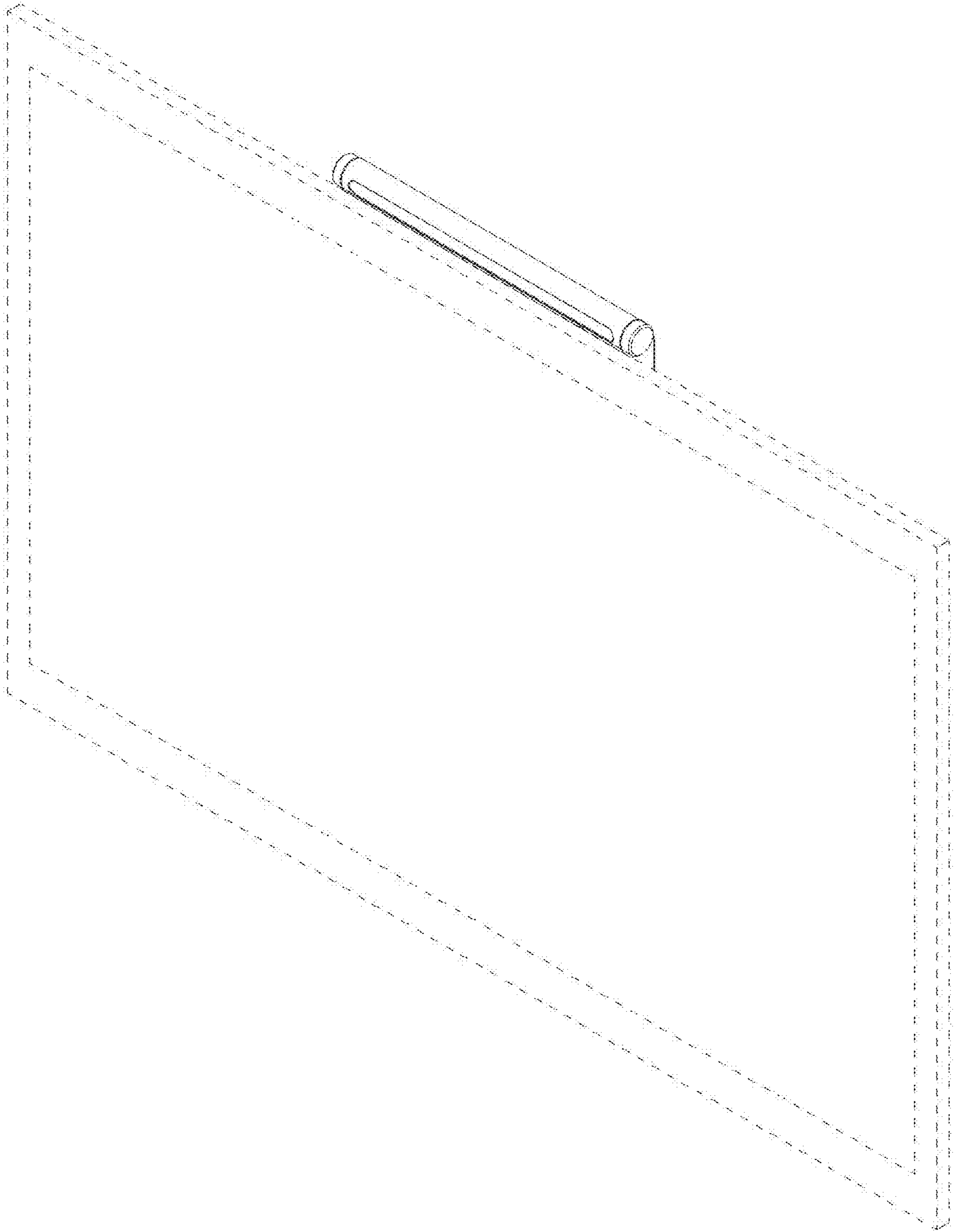
1.5



1.6



1.7



1.8

