



US00D915359S

(12) **United States Design Patent**
Zhang

(10) **Patent No.:** **US D915,359 S**

(45) **Date of Patent:** **** Apr. 6, 2021**

- (54) **SPEAKER HOLDER**
- (71) Applicant: **Shenzhen Prime Technology Co., Ltd,**
Shenzhen (CN)
- (72) Inventor: **Yuanming Zhang,** Shenzhen (CN)
- (**) Term: **15 Years**
- (21) Appl. No.: **29/750,969**
- (22) Filed: **Sep. 17, 2020**
- (51) **LOC (13) Cl.** **14-01**
- (52) **U.S. Cl.**
USPC **D14/224**
- (58) **Field of Classification Search**
USPC ... D14/224, 211, 214, 209.1, 204, 371, 253,
D14/447, 434; D8/354; D6/681.2;
248/441.1, 442.2, 439, 172, 678, 460,
248/917; 108/72, 150
CPC G06F 1/16; A47B 91/00; A47B 97/04;
F16M 11/00; A47G 1/16
See application file for complete search history.

- 4,078,757 A * 3/1978 Waters A47B 19/02
108/150
 - D262,535 S * 1/1982 Fisher D14/229
 - D267,513 S * 1/1983 Weigel 5/81.1 R
 - 4,807,838 A * 2/1989 Anderson A47B 13/023
248/188
 - 5,020,768 A * 6/1991 Hardt F16M 11/22
248/188
 - D326,969 S * 6/1992 Eason D14/224
 - D328,898 S * 8/1992 Christie D14/211
 - D330,021 S * 10/1992 Kline D14/447
 - D338,882 S * 8/1993 Reiter D14/447
 - 5,362,019 A * 11/1994 Swanson A47G 29/1216
232/39
 - D360,887 S * 8/1995 Karnaze D14/224
- (Continued)

FOREIGN PATENT DOCUMENTS

- EM 002411512-0001 * 2/2014
- Primary Examiner* — Paula Allen Greene
- (74) *Attorney, Agent, or Firm* — W&K IP

(57) **CLAIM**

The ornamental design for a speaker holder, as shown and described.

DESCRIPTION

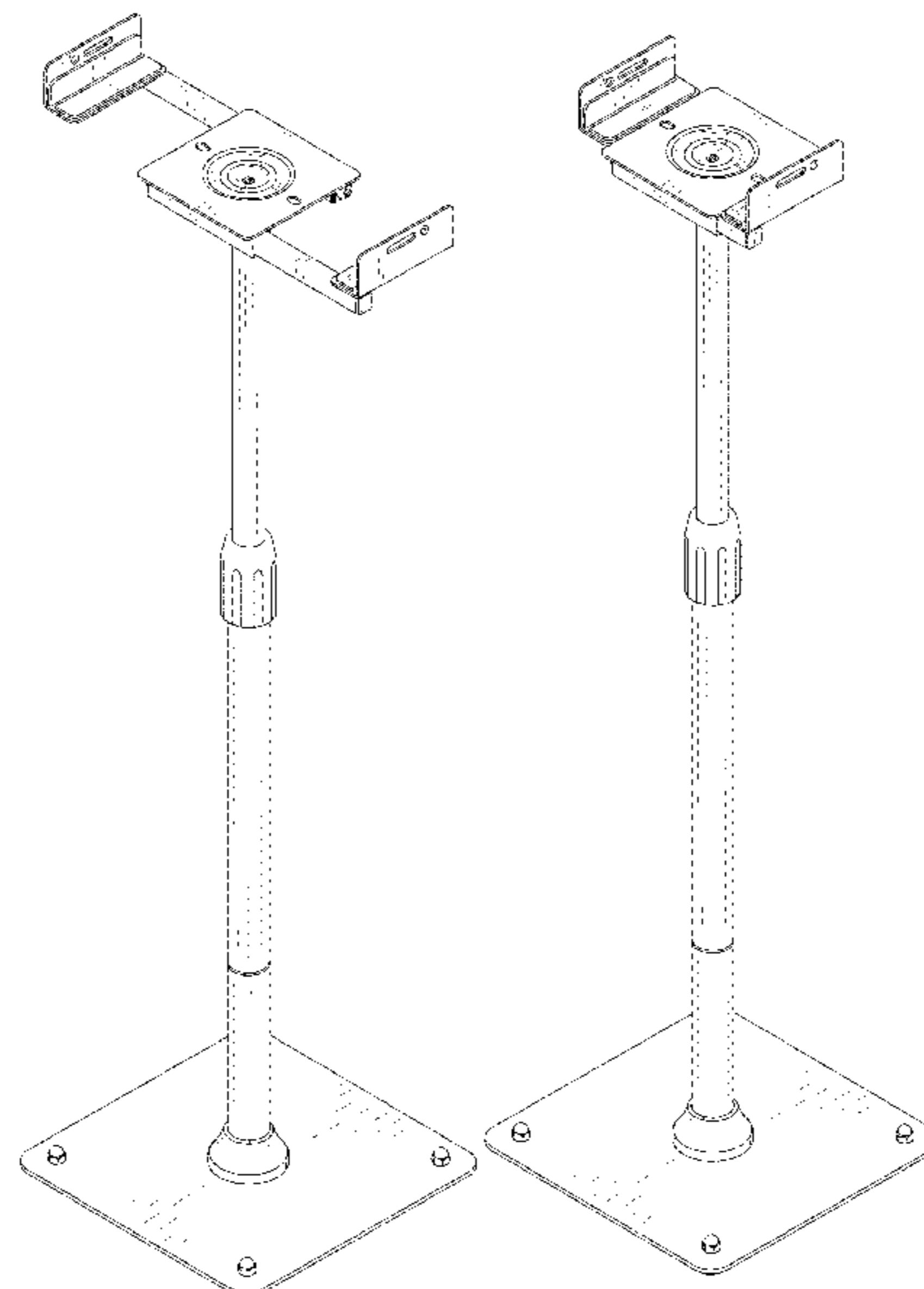
FIG. 1 is a perspective view of a speaker holder showing my new design;
 FIG. 2 is another perspective view in a closed position, thereof;
 FIG. 3 is a front view thereof;
 FIG. 4 is a rear view thereof;
 FIG. 5 is a left side view thereof;
 FIG. 6 is a right side view thereof;
 FIG. 7 is a bottom plan view thereof; and,
 FIG. 8 is a top plan view thereof.
 The evenly-broken lines where present illustrate portions of the speaker holder that form no part of the claimed design.

1 Claim, 8 Drawing Sheets

(56) **References Cited**

U.S. PATENT DOCUMENTS

- 1,415,782 A * 5/1922 Brace A47F 5/16
108/150
- 1,542,495 A * 6/1925 Ebert A47B 21/045
211/51
- 2,236,133 A * 3/1941 Croninger B41J 29/15
248/442.2
- 2,577,724 A * 12/1951 Weller A47B 1/05
108/72
- 3,153,524 A * 10/1964 Greenfield A47B 13/023
248/158
- 3,467,033 A * 9/1969 Remer A47C 9/10
108/150
- D219,033 S * 10/1970 Salsgiver D6/656.11
- 3,934,806 A * 1/1976 Rady A47B 19/06
248/441.1



(56)

References Cited

U.S. PATENT DOCUMENTS

5,708,560 A * 1/1998 Kumar G06F 1/1626
16/352
D400,735 S * 11/1998 House D14/448
D412,331 S * 7/1999 Nakamura D14/155
D415,494 S * 10/1999 Curina D14/211
D417,872 S * 12/1999 Monson D14/211
D423,821 S * 5/2000 Crump D14/299
D426,540 S * 6/2000 Tejima D14/224
D454,263 S * 3/2002 Worrall D14/224
D454,776 S 3/2002 Padrun
D483,026 S * 12/2003 Koskinen D14/211
D488,803 S * 4/2004 Chin D14/211
D497,904 S * 11/2004 Dardashti D14/224
6,833,988 B2 * 12/2004 Kamphuis G06F 1/1601
248/424
D508,480 S * 8/2005 Oikawa D14/211
D515,555 S * 2/2006 Liang D14/211
D522,492 S * 6/2006 Carbone D14/211
D536,683 S * 2/2007 Lim D14/506
D539,269 S * 3/2007 Yoon D14/211
D543,534 S * 5/2007 Tsuge D14/211
D548,724 S * 8/2007 Hakoda D14/211
7,319,767 B2 * 1/2008 Fidlin H04R 1/06
381/182
D578,103 S * 10/2008 Matsuoka D14/211
D579,926 S * 11/2008 Whitworth D14/224
D579,927 S * 11/2008 Whitworth D14/224

D581,697 S * 12/2008 Fix D6/681.2
D581,698 S * 12/2008 Fix D14/224
D585,875 S * 2/2009 Matsuoka D14/211
D598,217 S * 8/2009 Bode D6/681.2
D648,475 S * 11/2011 Heyrman D26/107
D677,075 S * 3/2013 Rodgers D6/672
D712,394 S * 9/2014 Booth D14/253
D716,764 S * 11/2014 Jeon D14/209.1
D721,074 S * 1/2015 Harris D14/253
D722,217 S * 2/2015 Quiban D2/717
D723,311 S * 3/2015 Jiang D6/681
D739,410 S * 9/2015 Chun D14/447
D740,253 S * 10/2015 Jeon D14/204
D743,371 S * 11/2015 Nardin D14/209.1
D743,378 S * 11/2015 Kim D14/216
D766,879 S 9/2016 Park et al.
9,578,979 B1 * 2/2017 Zeuch G09F 3/12
D783,000 S * 4/2017 Koo D14/209.1
D793,996 S * 8/2017 Katz D14/224
D804,289 S * 12/2017 Wengreen F16M 13/02
D8/354
D827,405 S * 9/2018 Chun D8/72
D847,119 S * 4/2019 Theisen D14/209.1
D854,006 S * 7/2019 Wang D14/253
D855,038 S * 7/2019 Hu D14/224
2004/0041068 A1 * 3/2004 Gelfand A47B 97/04
248/460
2014/0263931 A1 * 9/2014 Chen F16M 13/00
248/576

* cited by examiner

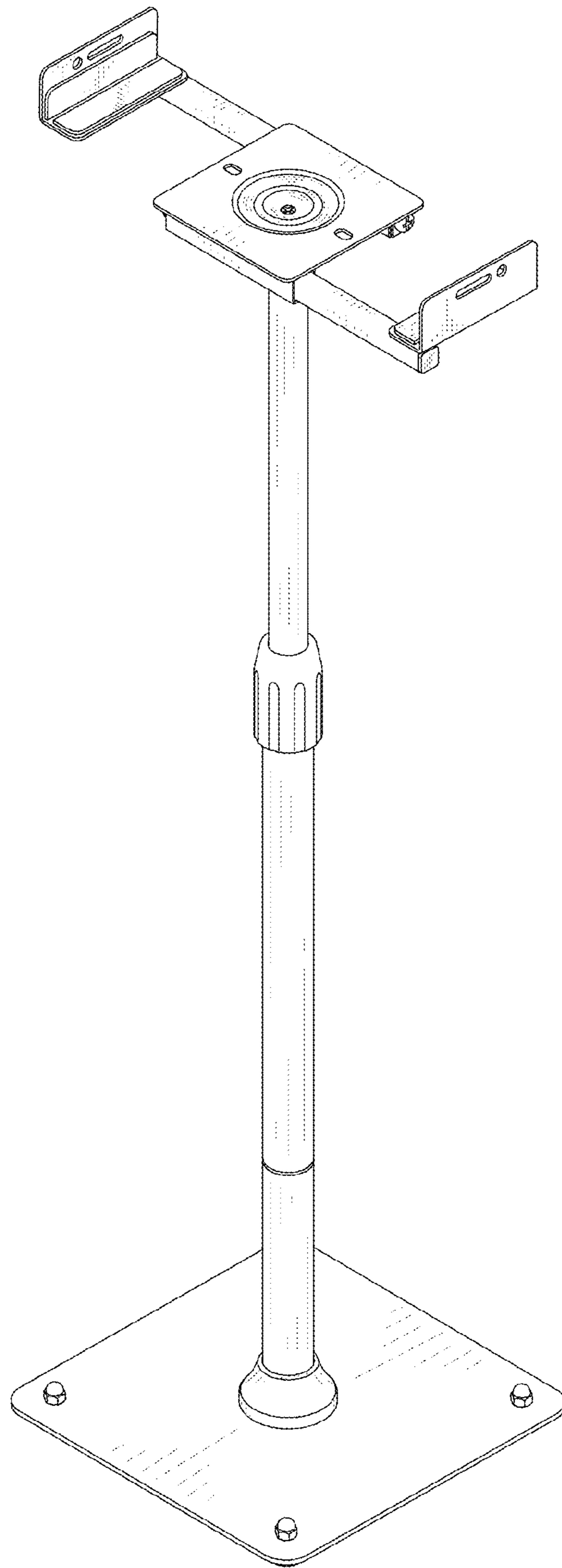


FIG. 1

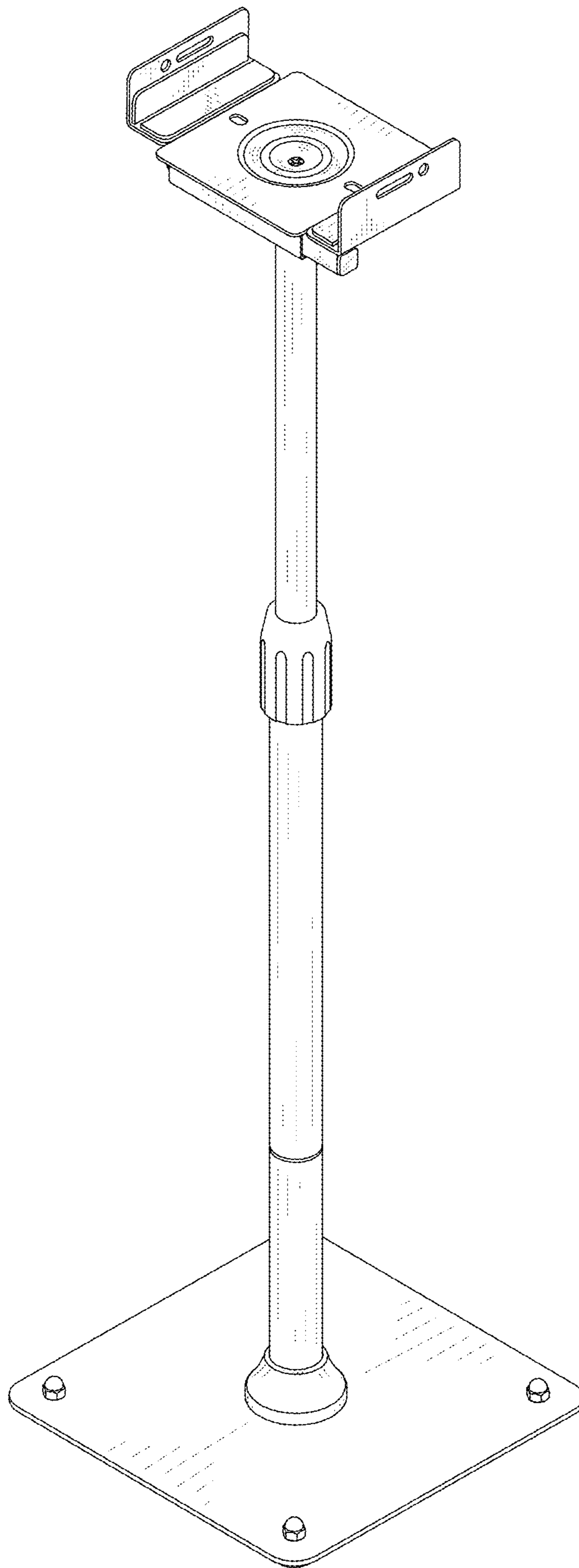


FIG. 2

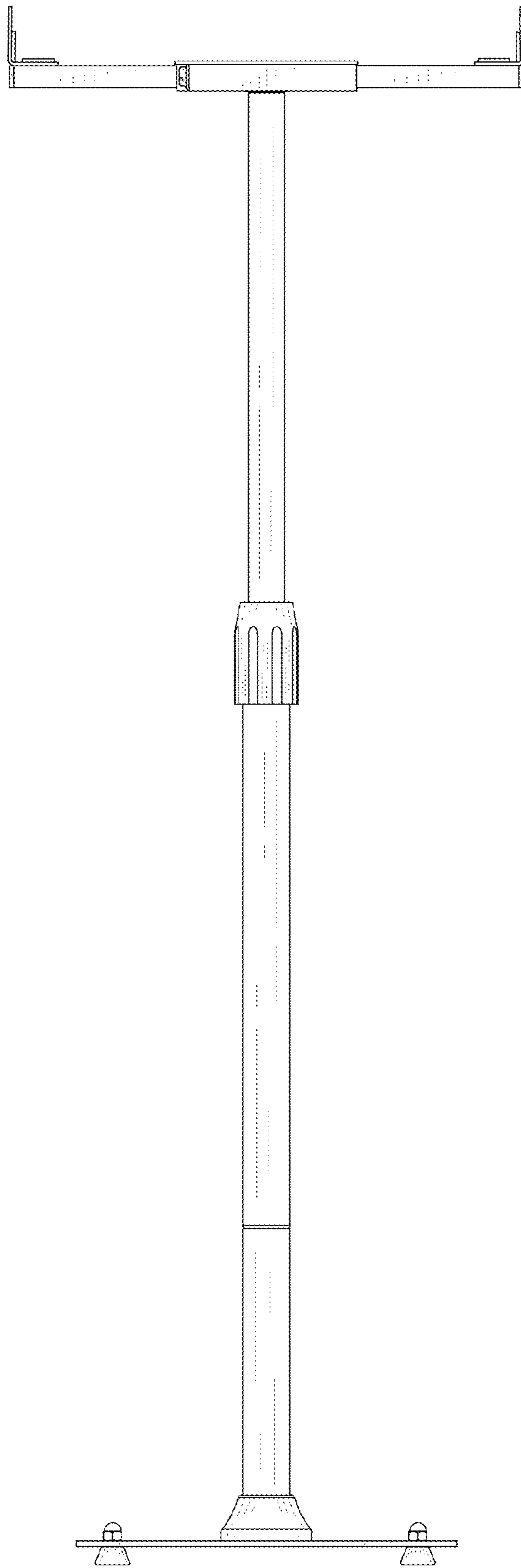


FIG. 3

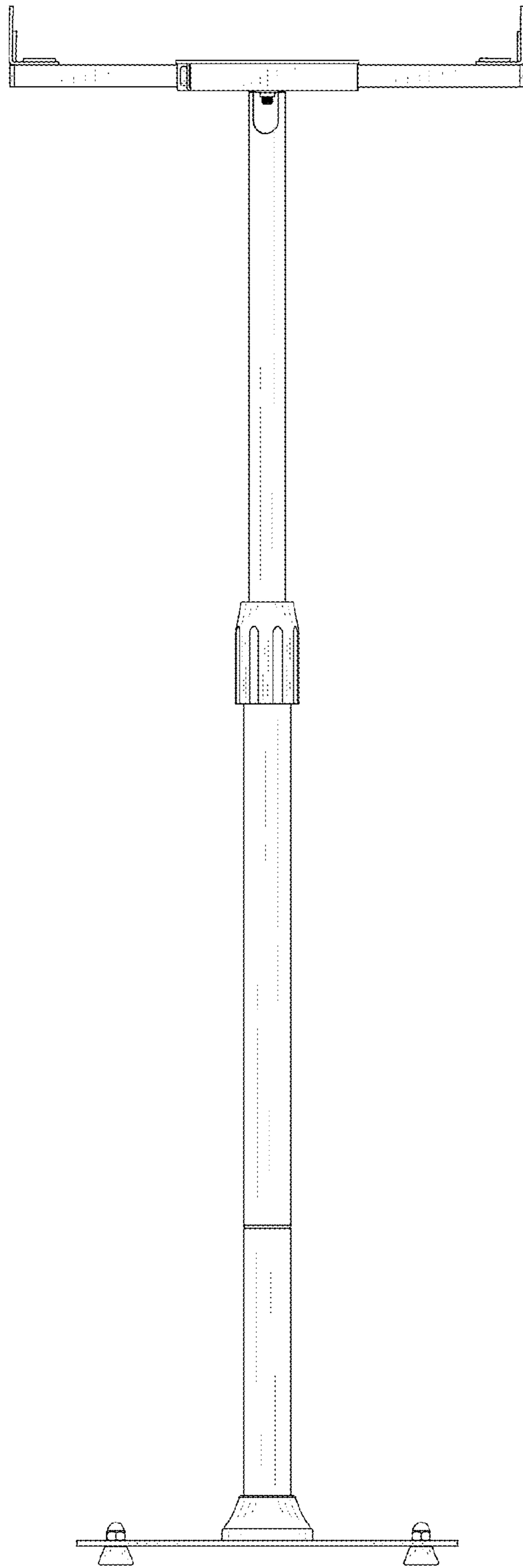


FIG. 4

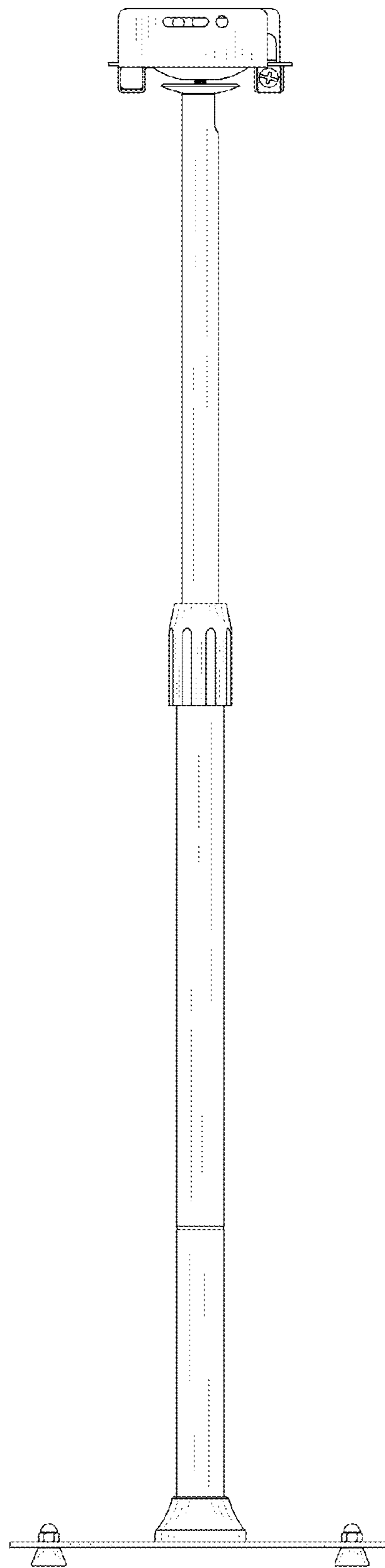


FIG. 5

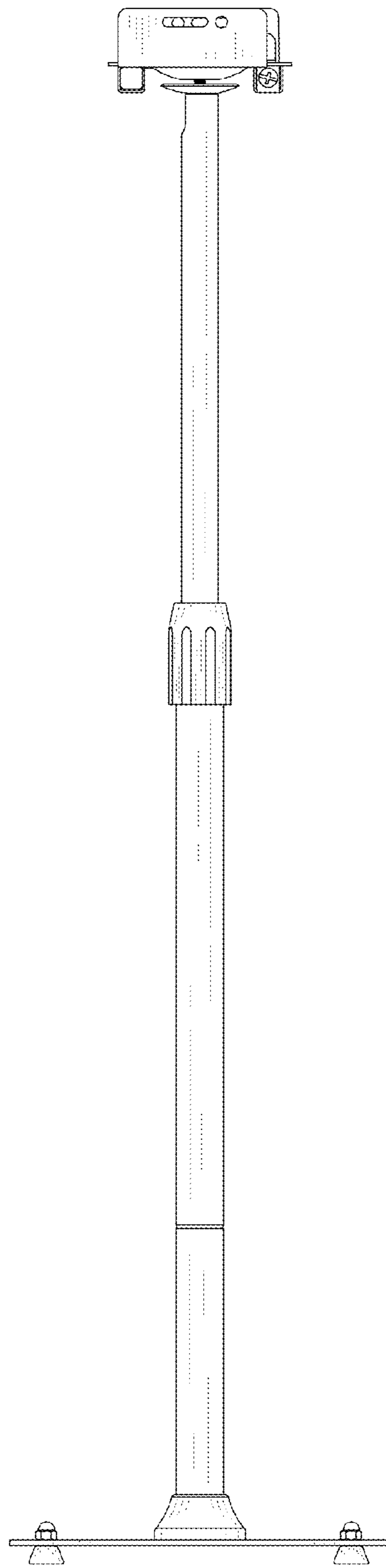


FIG. 6

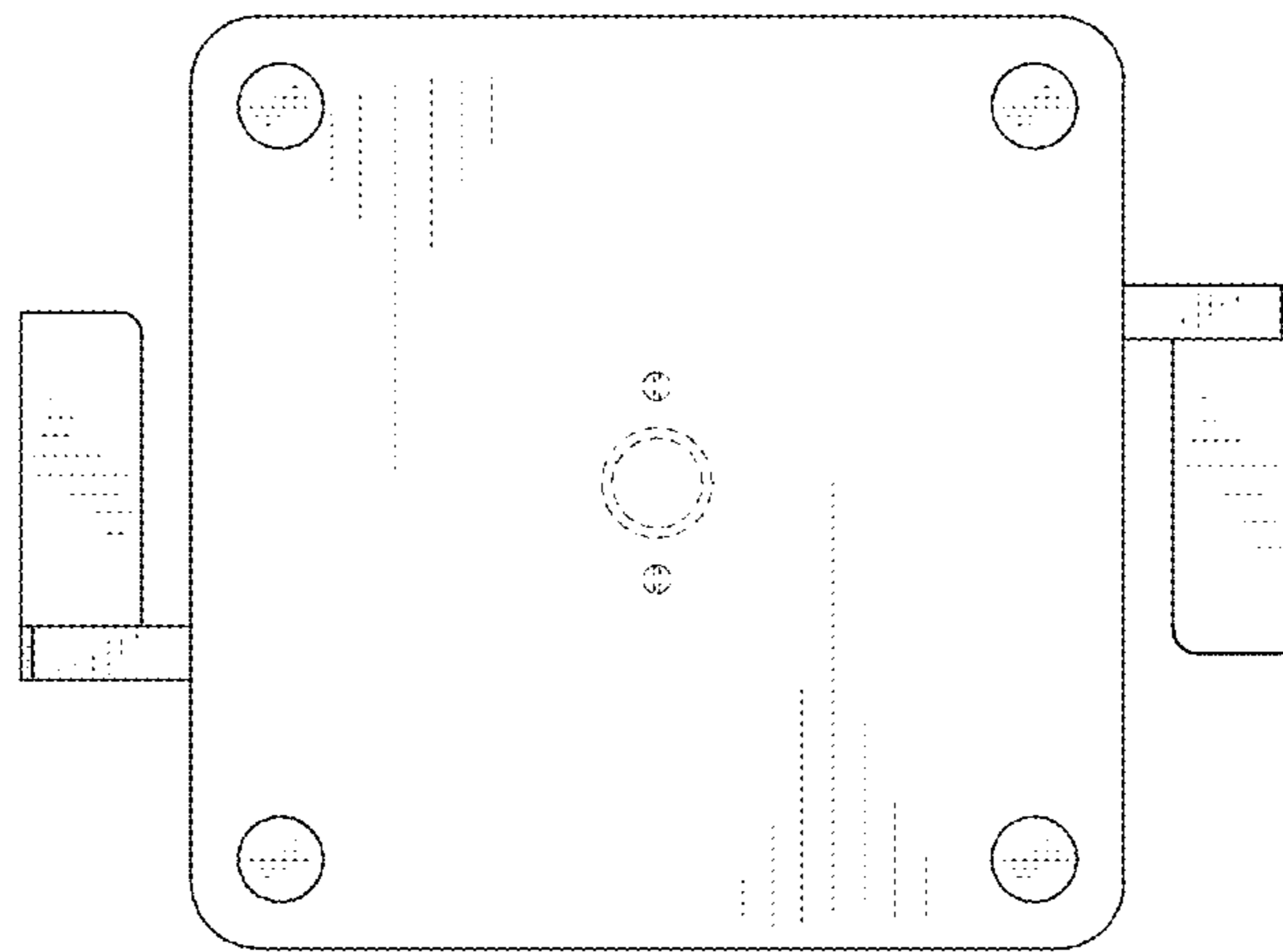


FIG. 7

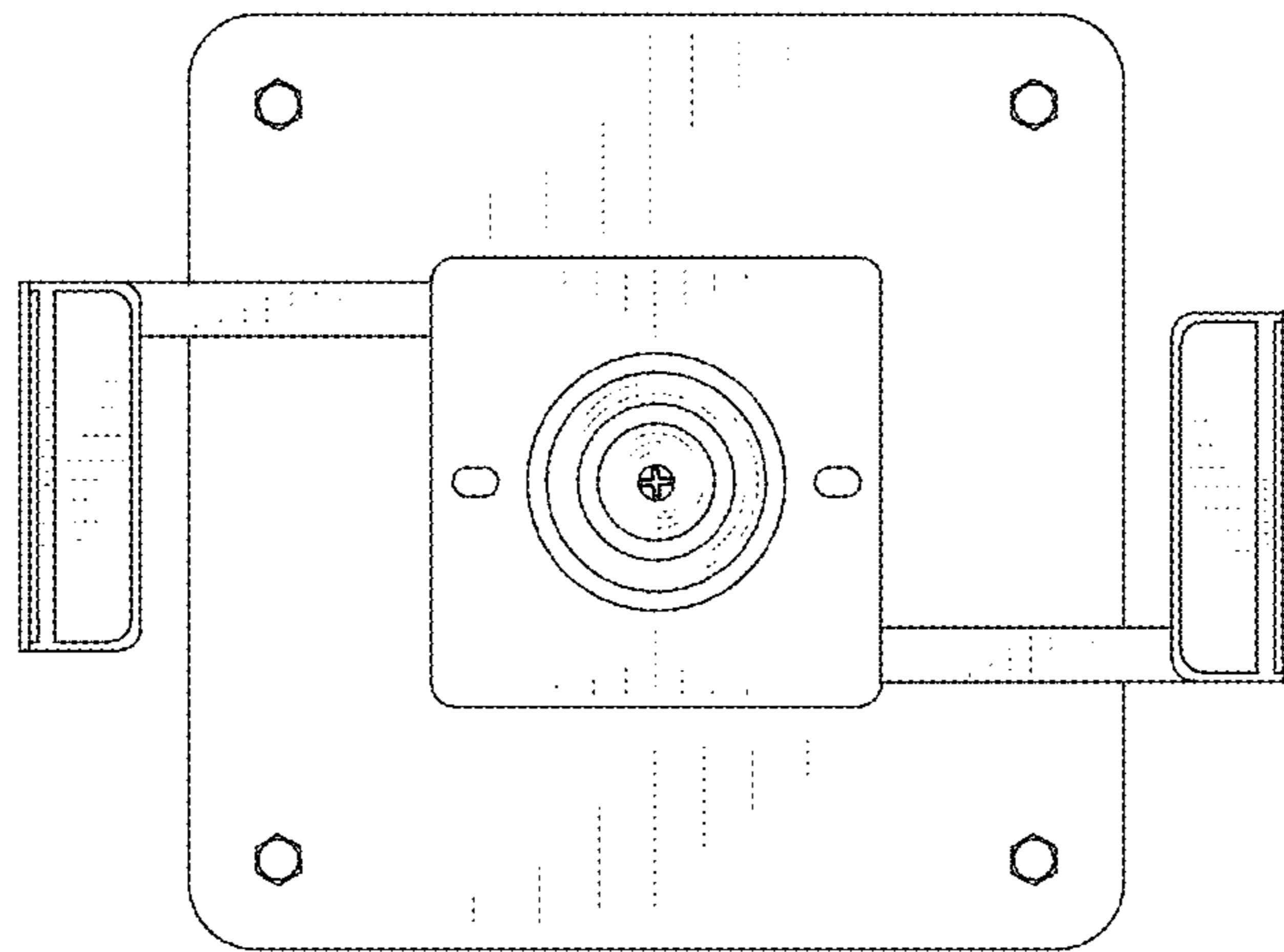


FIG. 8