



US00D915358S

(12) **United States Design Patent**  
**Ma**

(10) **Patent No.:** **US D915,358 S**

(45) **Date of Patent:** **\*\* Apr. 6, 2021**

(54) **EARPHONES**

(71) Applicant: **SHENZHEN NA YIN TECHNOLOGY CO., LTD.**, Shenzhen (CN)

(72) Inventor: **Shaowu Ma**, Shenzhen (CN)

(73) Assignee: **SHENZHEN NA YIN TECHNOLOGY CO., LTD.**, Shenzhen (CN)

(\*\*) Term: **15 Years**

(21) Appl. No.: **29/758,208**

(22) Filed: **Nov. 12, 2020**

(30) **Foreign Application Priority Data**

Oct. 28, 2020 (CN) ..... 202030645674.3

(51) **LOC (13) Cl.** ..... **14-01**

(52) **U.S. Cl.**  
USPC ..... **D14/223**

(58) **Field of Classification Search**  
USPC ..... D14/223, 205, 229; D13/108; D24/174;  
128/864, 865, 866; 381/380, 381;  
320/113; 455/90.3, 575.1, 569.1  
CPC ..... H04R 1/10; H04R 25/00; H04R 25/02;  
H04R 1/1066; H04R 1/1016; H04R  
5/033; H04R 5/0335; H04R 1/105; H04R  
1/1058; H04R 1/1083; B65D 25/10;  
B65D 85/00  
See application file for complete search history.

(56) **References Cited**

**U.S. PATENT DOCUMENTS**

D505,411 S \* 5/2005 Sakai ..... D14/192  
D519,108 S \* 4/2006 Yang ..... D14/223  
D588,111 S \* 3/2009 Komiyama ..... D14/223  
D603,380 S \* 11/2009 Hutchieson ..... D14/223

D637,997 S \* 5/2011 Peller ..... D14/205  
D637,999 S \* 5/2011 Brunner ..... D14/205  
D641,010 S \* 7/2011 Kwon ..... D14/223  
D652,822 S \* 1/2012 Lee ..... D14/223  
D654,056 S \* 2/2012 Hoggarth ..... D14/223  
D666,581 S \* 9/2012 Perez ..... D14/223  
D685,764 S \* 7/2013 Coulter ..... D14/205  
D698,023 S \* 1/2014 Iseberg ..... D24/174  
D699,226 S \* 2/2014 Yoon ..... D14/223  
D711,356 S \* 8/2014 Yang ..... D14/223  
D719,139 S \* 12/2014 Henry ..... D14/223  
D719,550 S \* 12/2014 Yang ..... D14/223  
D725,082 S \* 3/2015 Palmborg ..... D14/223  
D726,145 S \* 4/2015 Hsieh ..... D14/205

(Continued)

**FOREIGN PATENT DOCUMENTS**

CN 305255398 \* 7/2019  
EM 005948320-0001 \* 1/2019

(Continued)

*Primary Examiner* — Paula Allen Greene

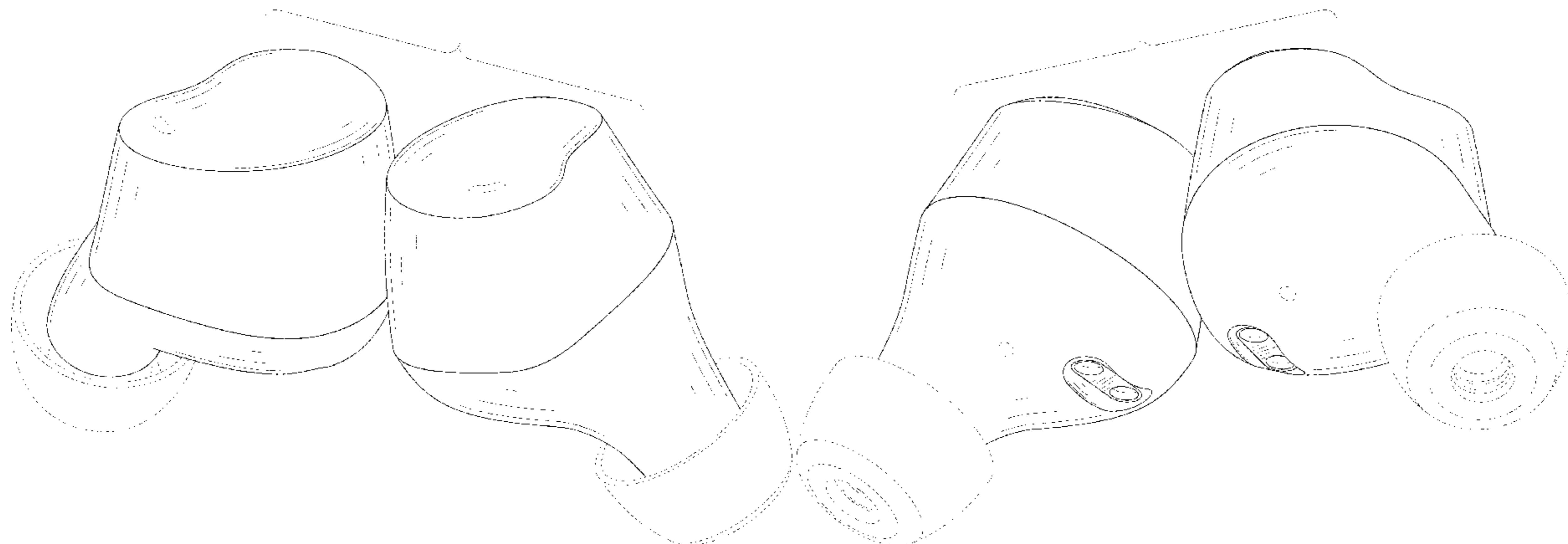
(57) **CLAIM**

The ornamental design for earphones, as shown and described.

**DESCRIPTION**

FIG. 1 is a perspective view of earphones showing my new design;  
FIG. 2 is another perspective view thereof;  
FIG. 3 is a front elevational view thereof;  
FIG. 4 is a rear elevational view thereof;  
FIG. 5 is a left side elevational view thereof;  
FIG. 6 is a right side elevational view thereof;  
FIG. 7 is a top plan view thereof;  
FIG. 8 is a bottom plan view thereof; and,  
FIG. 9 is a perspective view of the earphones where the earphones are received in a charging case.  
The broken lines in the drawings depict portions of the earphones that form no part of the claimed design.

**1 Claim, 9 Drawing Sheets**



(56)

References Cited

U.S. PATENT DOCUMENTS

D727,871 S \* 4/2015 Orbach ..... D14/205  
 D728,107 S \* 4/2015 Torres Martin ..... D24/174  
 D733,102 S \* 6/2015 Palmborg ..... D14/223  
 D733,103 S \* 6/2015 Jeong ..... D14/224  
 D735,169 S \* 7/2015 Shieh ..... D14/223  
 D742,861 S \* 11/2015 Miyake ..... D14/223  
 D764,445 S \* 8/2016 Czaniecki ..... D14/223  
 D773,032 S \* 11/2016 Palmborg ..... D24/106  
 D773,439 S \* 12/2016 Walker ..... D14/223  
 D777,710 S \* 1/2017 Palmborg ..... D14/223  
 D778,267 S \* 2/2017 Hsieh ..... D14/223  
 D781,269 S \* 3/2017 Choe ..... D14/223  
 D782,997 S \* 4/2017 Shin ..... D14/205  
 D782,998 S \* 4/2017 Shin ..... D14/205  
 D788,079 S \* 5/2017 Son ..... D14/223  
 D798,843 S \* 10/2017 Valenzuela ..... D14/223  
 D800,097 S \* 10/2017 Chen ..... D14/223  
 D805,060 S \* 12/2017 Loermann ..... D14/223  
 D806,879 S \* 1/2018 Horbinski ..... D24/174  
 D810,054 S \* 2/2018 Yuan ..... D14/223  
 D812,042 S \* 3/2018 Xiao ..... D14/223  
 D813,206 S \* 3/2018 Tang ..... D14/223  
 D817,309 S \* 5/2018 Czaniecki ..... D14/223  
 D818,990 S \* 5/2018 Tzeng ..... D14/205  
 D841,626 S \* 2/2019 Tang ..... D14/223  
 D841,627 S \* 2/2019 Wen ..... D14/223  
 D843,354 S \* 3/2019 Kumano ..... D14/223  
 D845,932 S \* 4/2019 Lu ..... D14/223  
 D846,532 S \* 4/2019 Xiao ..... D14/223  
 D851,072 S \* 6/2019 McNamara ..... D14/223  
 D852,782 S \* 7/2019 Bergman ..... D14/223  
 D855,589 S \* 8/2019 Madsen ..... D14/223

D864,167 S \* 10/2019 Wu ..... D14/223  
 D870,707 S \* 12/2019 Yang ..... D14/223  
 D873,248 S \* 1/2020 Weicheng ..... D14/223  
 D875,714 S \* 2/2020 Kim ..... D14/205  
 D880,457 S \* 4/2020 Zhu ..... D14/223  
 D883,960 S \* 5/2020 Du ..... D14/223  
 D887,395 S \* 6/2020 Wang ..... D14/223  
 D889,441 S \* 7/2020 Lin ..... D14/223  
 D890,138 S \* 7/2020 Peng ..... D14/223  
 D892,086 S \* 8/2020 Bonahoom ..... D14/223  
 D892,769 S \* 8/2020 Cai ..... D14/223  
 D894,123 S \* 8/2020 Xiong ..... D13/108  
 D895,580 S \* 9/2020 Yu ..... D14/223  
 D896,207 S \* 9/2020 He ..... D14/223  
 D897,319 S \* 9/2020 Wang ..... D14/223  
 D897,322 S \* 9/2020 Wei ..... D14/223  
 D897,996 S \* 10/2020 Mei ..... D14/223  
 D899,405 S \* 10/2020 Vaclavik ..... D14/223  
 D900,064 S \* 10/2020 Laffon de Mazieres .... D14/223  
 D902,182 S \* 11/2020 Wang ..... D14/223  
 D902,184 S \* 11/2020 Yang ..... D14/223  
 10,827,249 B1 \* 11/2020 Pine ..... H04R 1/1016  
 D903,638 S \* 12/2020 Li ..... D14/223  
 D908,667 S \* 1/2021 He ..... D14/223  
 D909,995 S \* 2/2021 Cai ..... D14/223  
 2020/0177981 A1 \* 6/2020 Ma ..... H04R 1/1058  
 2020/0186906 A1 \* 6/2020 Birch ..... H04R 1/1016  
 2020/0374632 A1 \* 11/2020 Wang ..... H04R 1/105

FOREIGN PATENT DOCUMENTS

EM 007956149-0001 \* 5/2020  
 EM 007956149-0002 \* 5/2020  
 EM 008150452-0001 \* 8/2020

\* cited by examiner

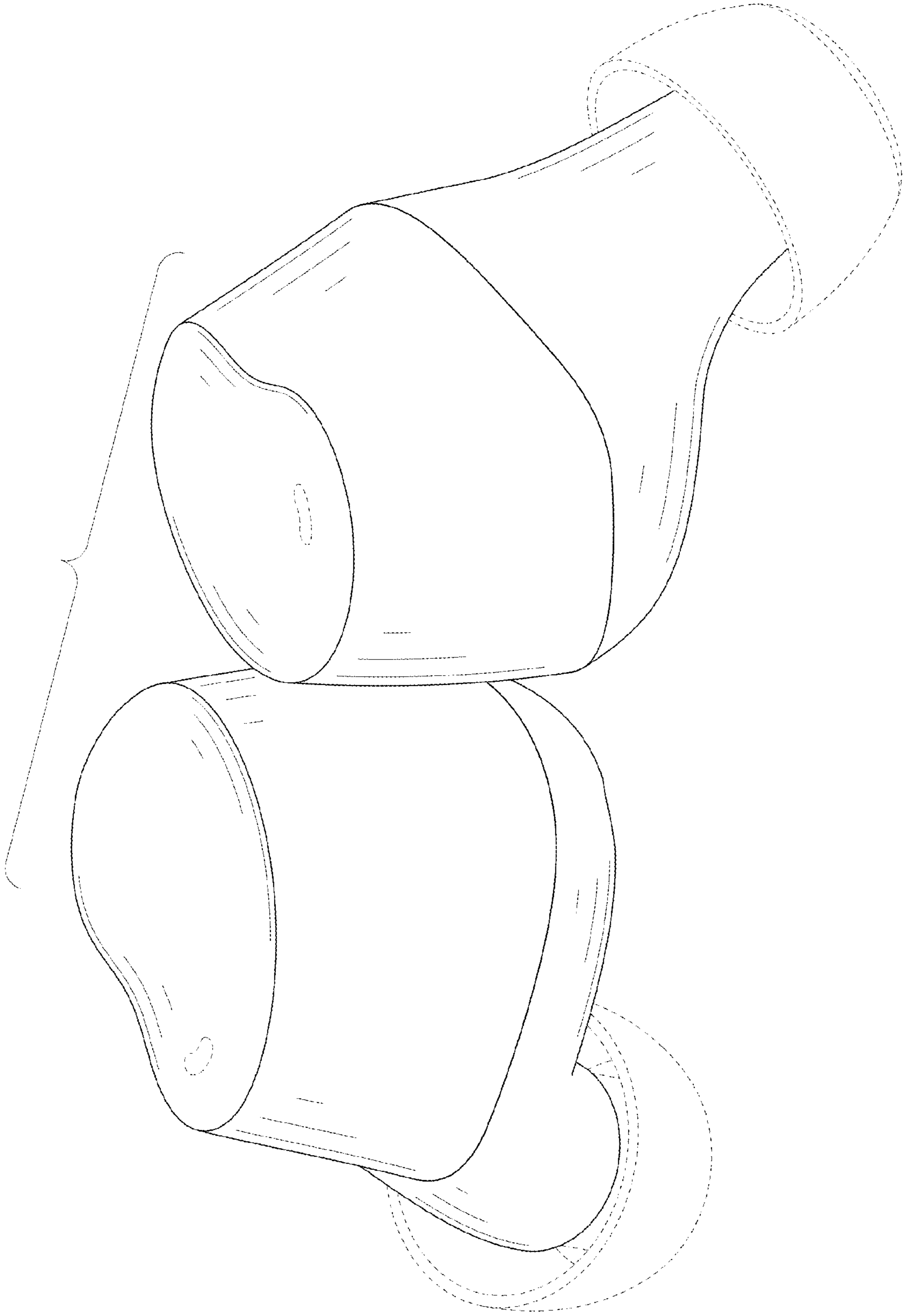


FIG. 1

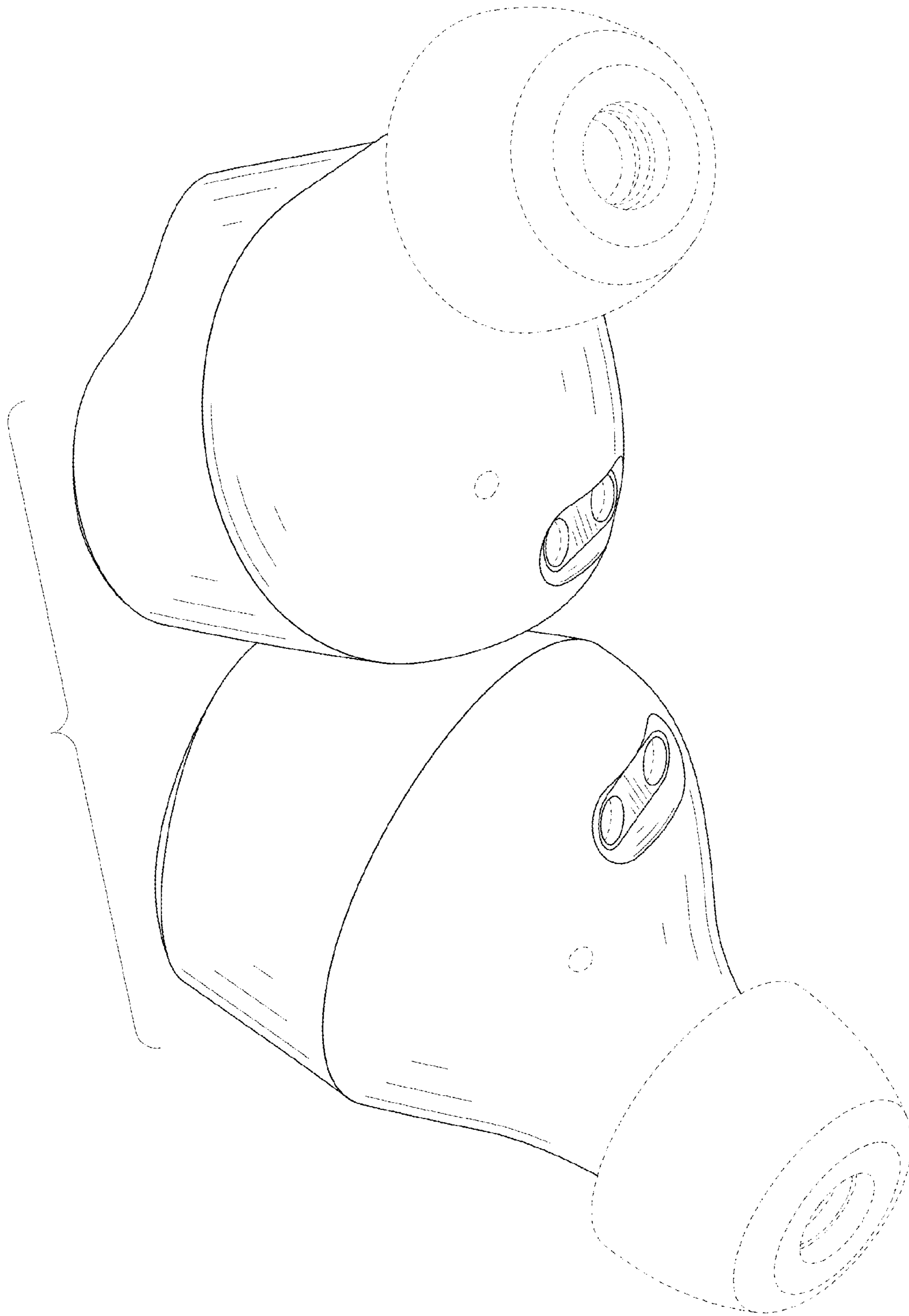


FIG. 2

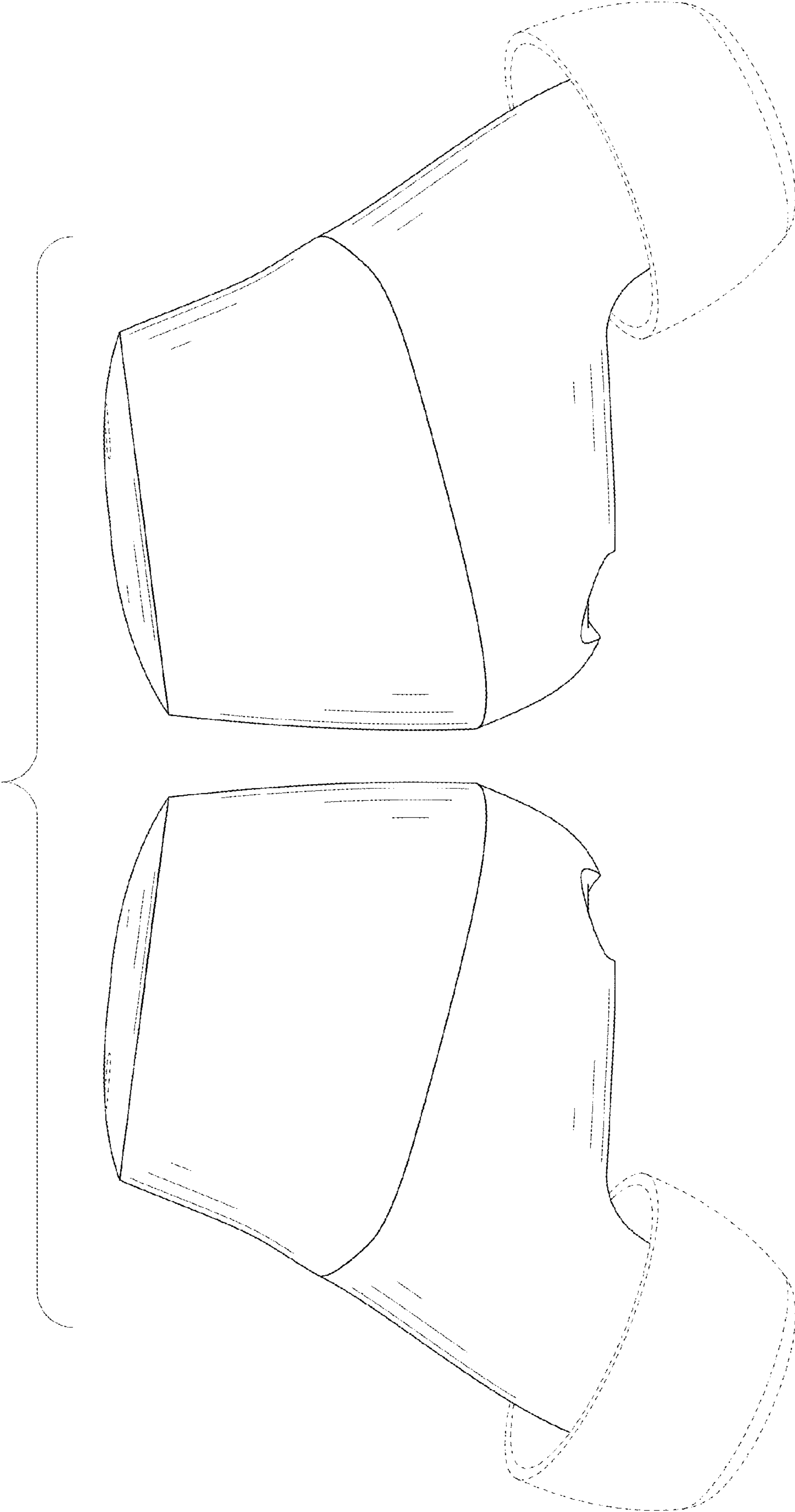


FIG. 3

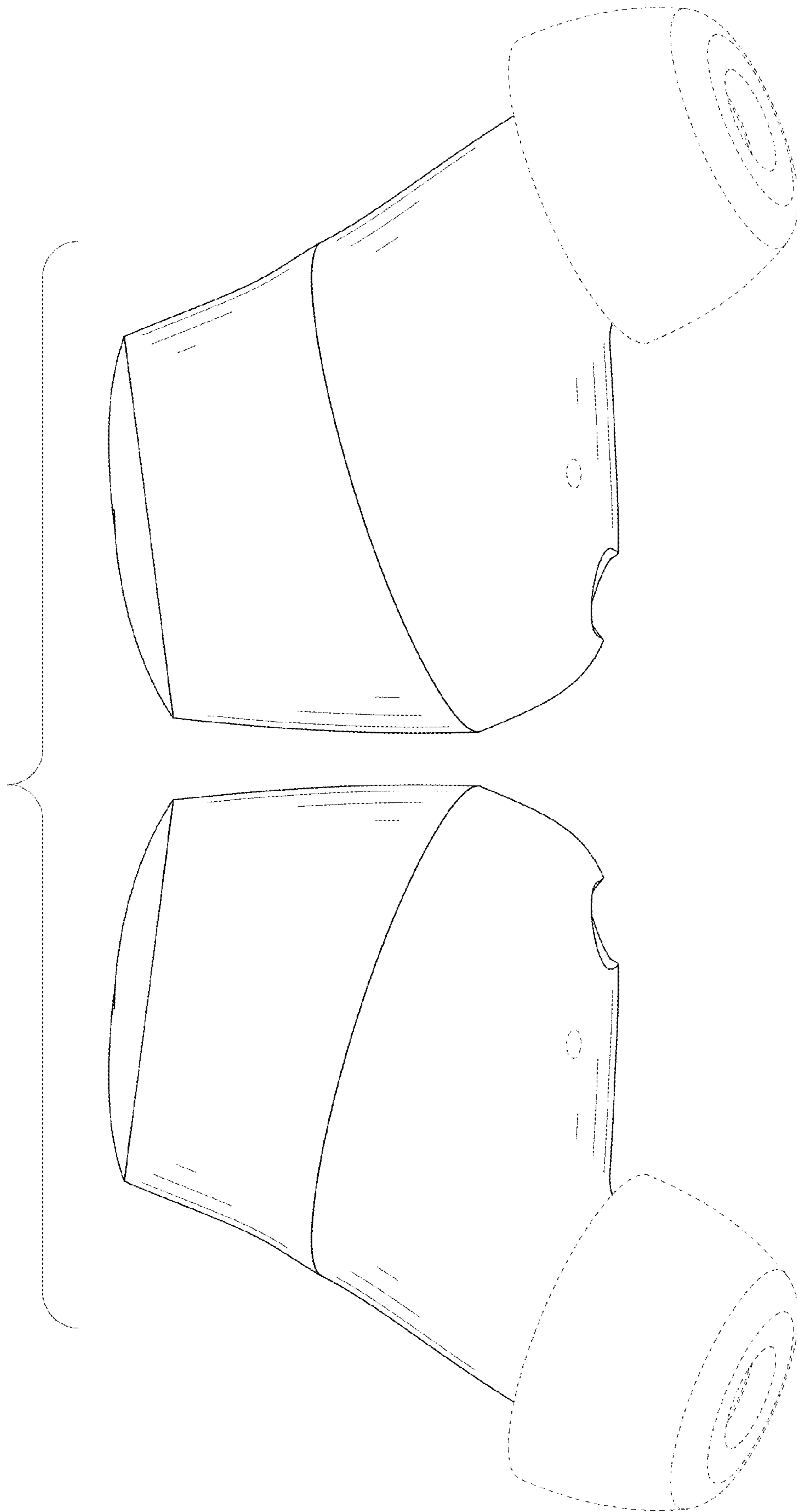


FIG. 4

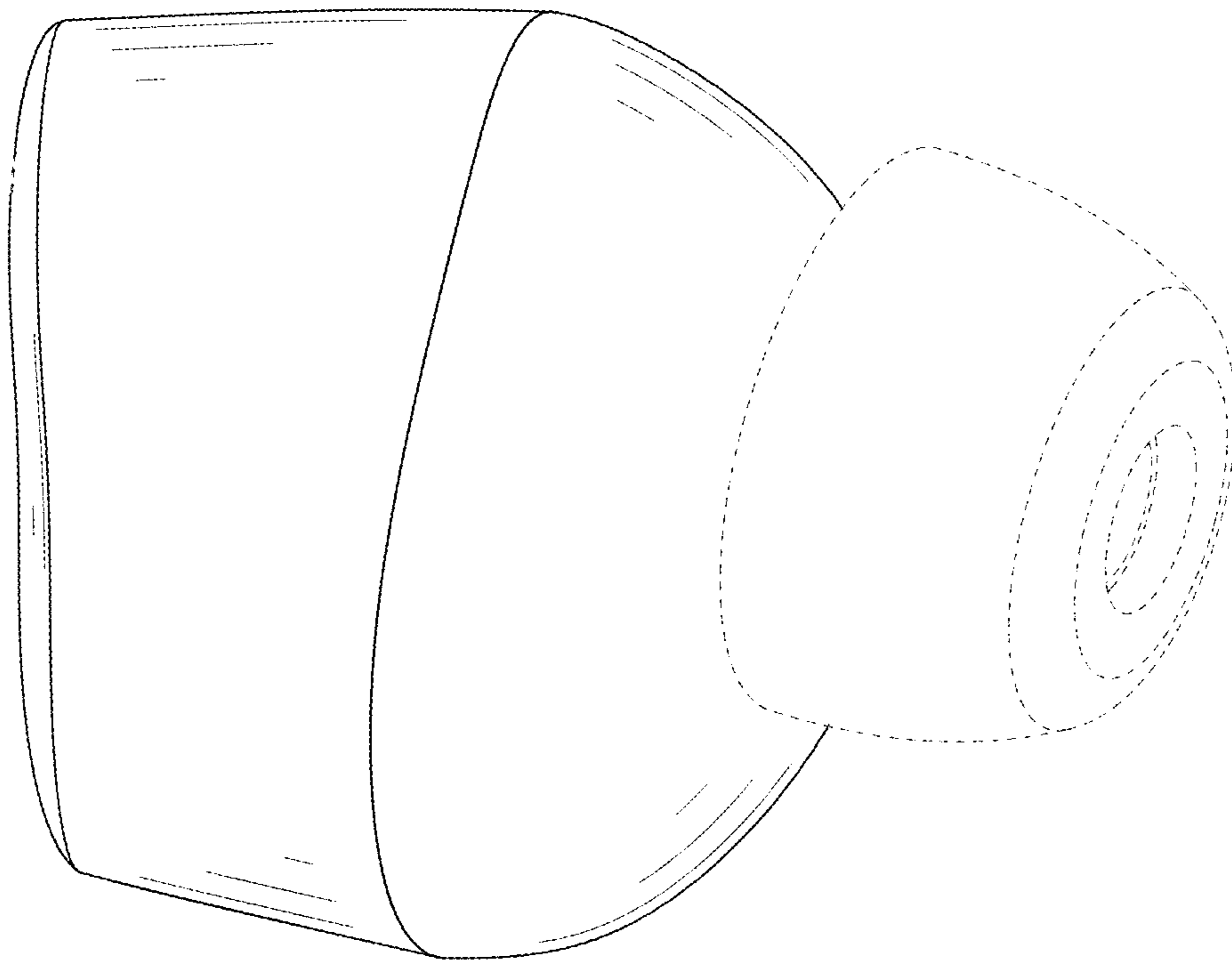


FIG. 5

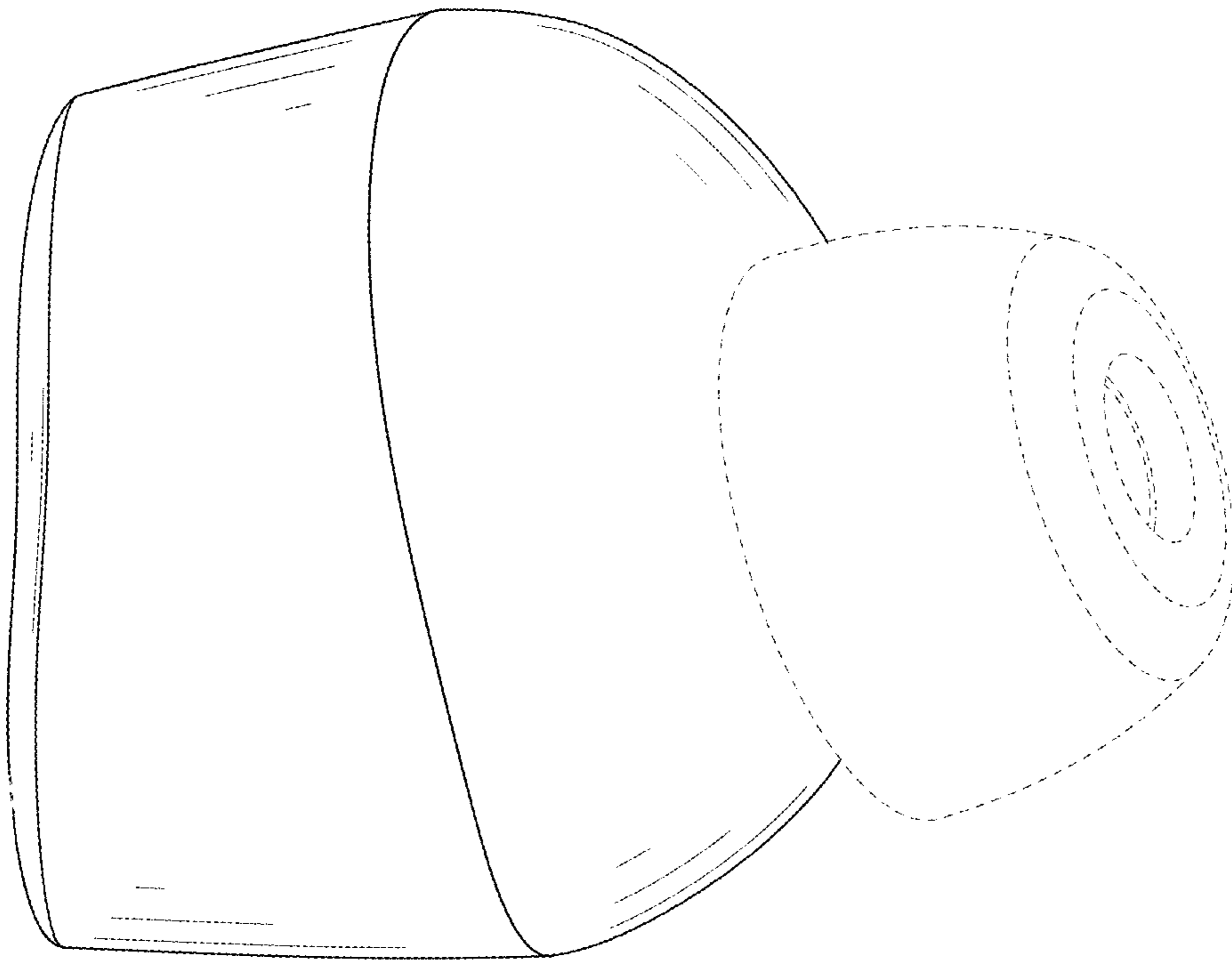


FIG. 6



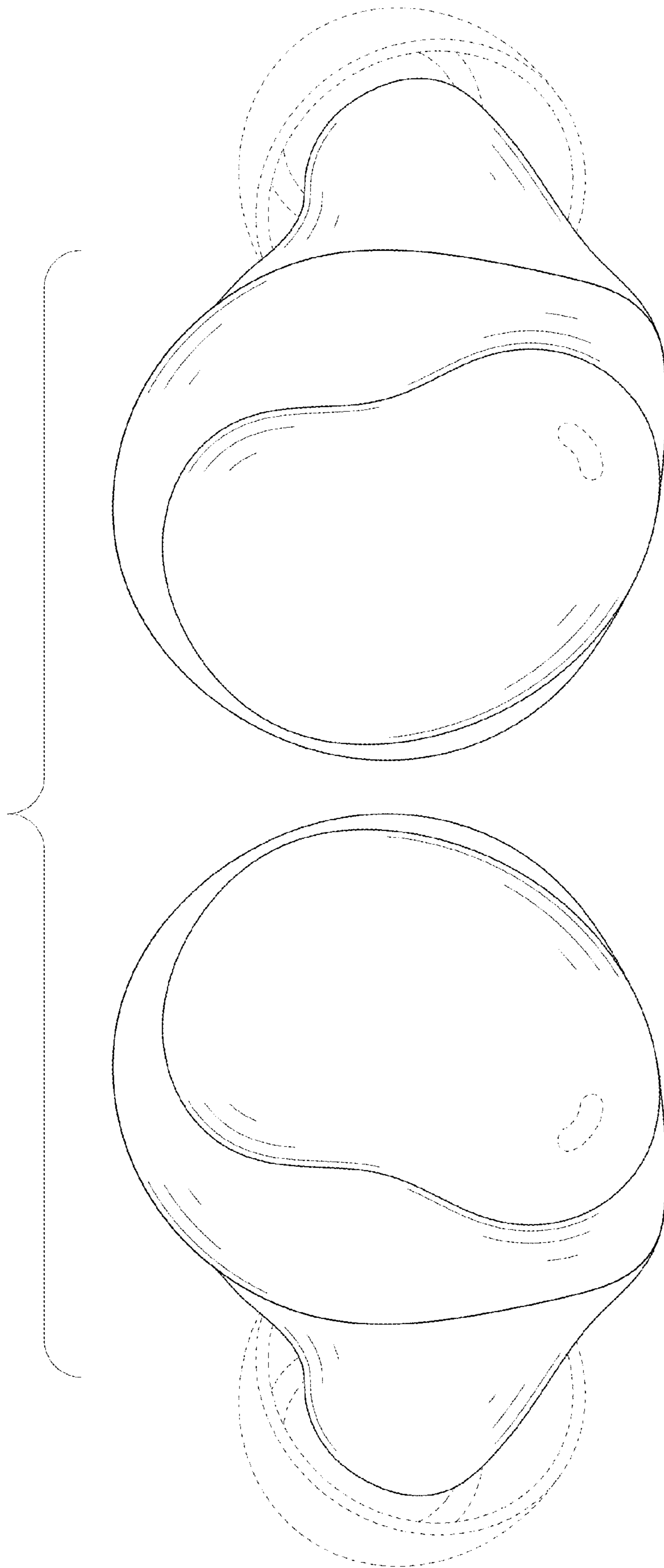


FIG. 7

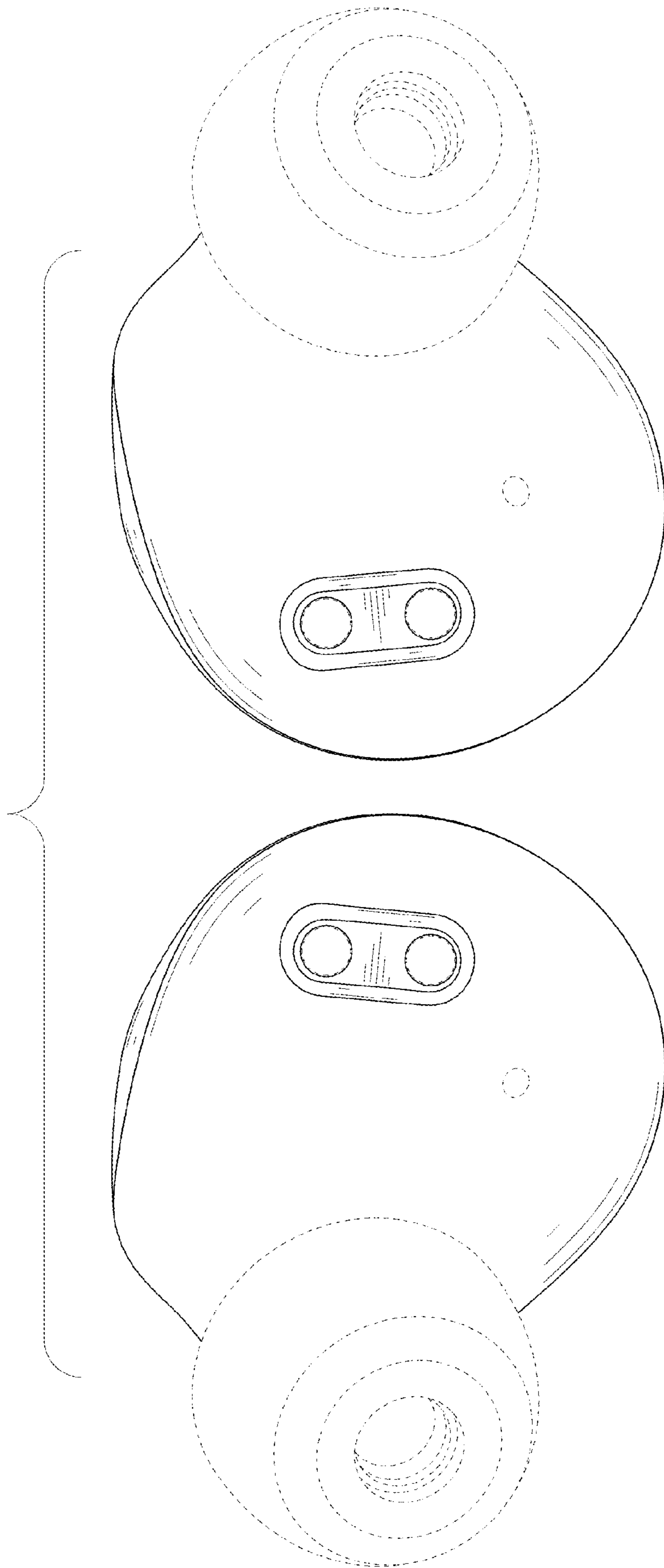


FIG. 8

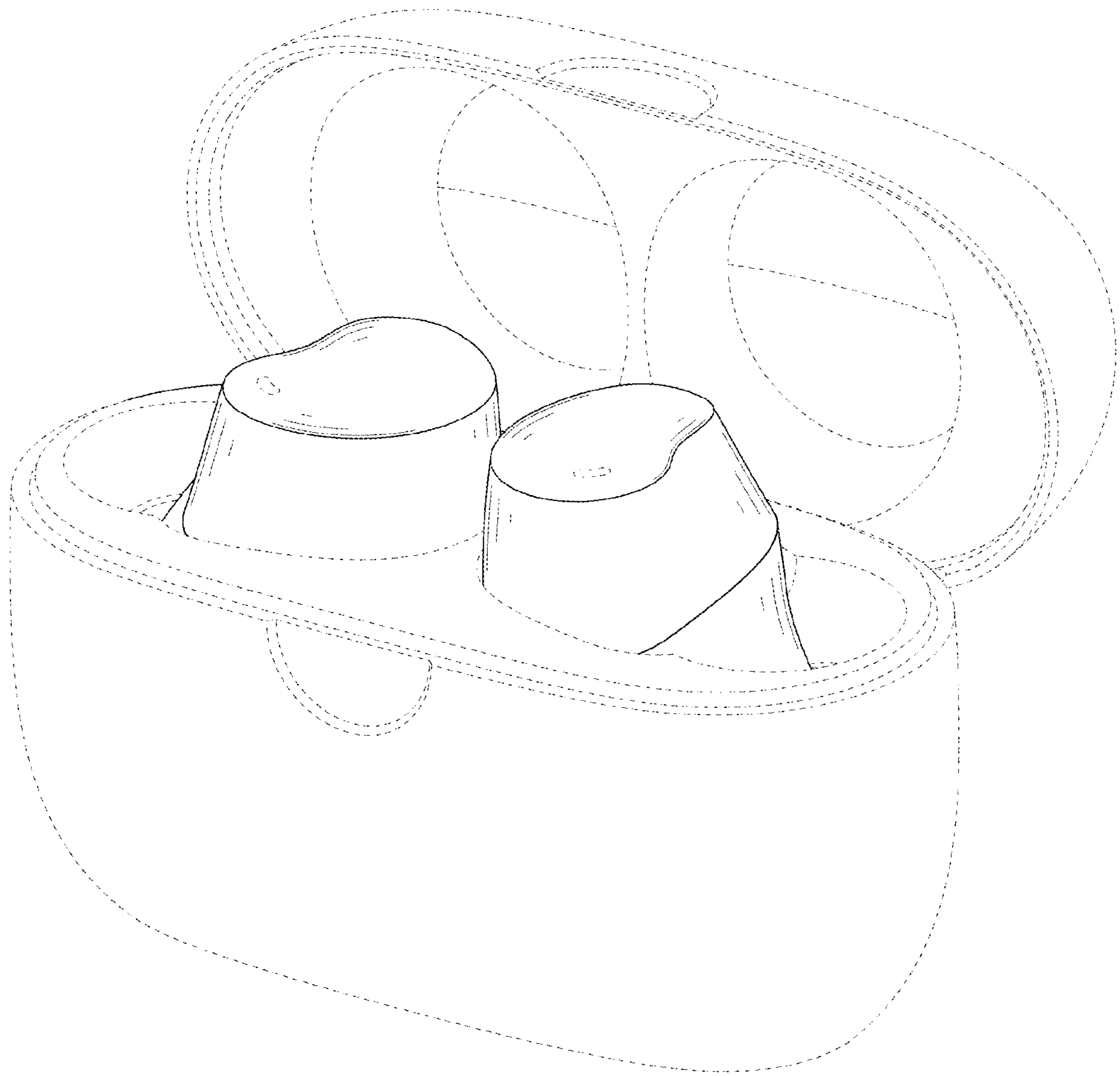


FIG. 9