



US00D915354S

(12) **United States Design Patent** (10) **Patent No.:** **US D915,354 S**
Akana et al. (45) **Date of Patent:** **** Apr. 6, 2021**

(54) **EARPHONE**

(71) Applicant: **Apple Inc.**, Cupertino, CA (US)

(72) Inventors: **Jody Akana**, San Francisco, CA (US); **Bartley K. Andre**, Palo Alto, CA (US); **Jeremy Bataillou**, San Francisco, CA (US); **Daniel J. Coster**, San Francisco, CA (US); **Daniele De Iuliis**, San Francisco, CA (US); **M. Evans Hankey**, San Francisco, CA (US); **Julian Hoenig**, San Francisco, CA (US); **Richard P. Howarth**, San Francisco, CA (US); **Jonathan P. Ive**, San Francisco, CA (US); **Duncan Robert Kerr**, San Francisco, CA (US); **Shin Nishibori**, Kailua, HI (US); **Matthew Dean Rohrbach**, San Francisco, CA (US); **Peter Russell-Clarke**, San Francisco, CA (US); **Christopher J. Stringer**, Woodside, CA (US); **Eugene Antony Whang**, San Francisco, CA (US); **Rico Zörkendörfer**, San Francisco, CA (US)

(73) Assignee: **Apple Inc.**, Cupertino, CA (US)

(**) Term: **15 Years**

(21) Appl. No.: **29/713,433**

(22) Filed: **Nov. 15, 2019**

Related U.S. Application Data

(63) Continuation of application No. 29/581,784, filed on Oct. 21, 2016, now Pat. No. Des. 867,325, which is a (Continued)

(51) **LOC (13) Cl.** **14-01**

(52) **U.S. Cl.**
USPC **D14/223**

(58) **Field of Classification Search**

USPC D14/223, 205; D24/174; 128/864–866; 381/380, 381; 455/90.3, 575.1, 569.1 (Continued)

(56) **References Cited**

U.S. PATENT DOCUMENTS

4,965,838 A 10/1990 Kamon et al.
D337,118 S 7/1993 Seikita
(Continued)

FOREIGN PATENT DOCUMENTS

EM 002199117-0006 * 3/2013
EM 003785278-0001 * 3/2017
(Continued)

OTHER PUBLICATIONS

“iBlink WLP3 Earbuds—100Hz-10kHz, Noise Isolation, 3.5mm Jack, LED Light (Pink), White,” TigerDirect.com, accessed at http://www.tigerdirect.com/applications/SearchTools/item-details.asp?EdpNo=3988300&csid=_61, last accessed on Jan. 31, 2013; 4 pages.

(Continued)

Primary Examiner — Paula Allen Greene

(74) *Attorney, Agent, or Firm* — Sterne, Kessler, Goldstein & Fox P.L.L.C.

(57) **CLAIM**

The ornamental design for an earphone, as shown and described.

DESCRIPTION

The patent or application file contains at least one drawing executed in color. Copies of this patent or patent application publication with color drawing(s) will be provided by the Office upon request and payment of the necessary fee.

FIG. 1 is a front view of an earphone showing the claimed design;

FIG. 2 is a right side view thereof;

(Continued)

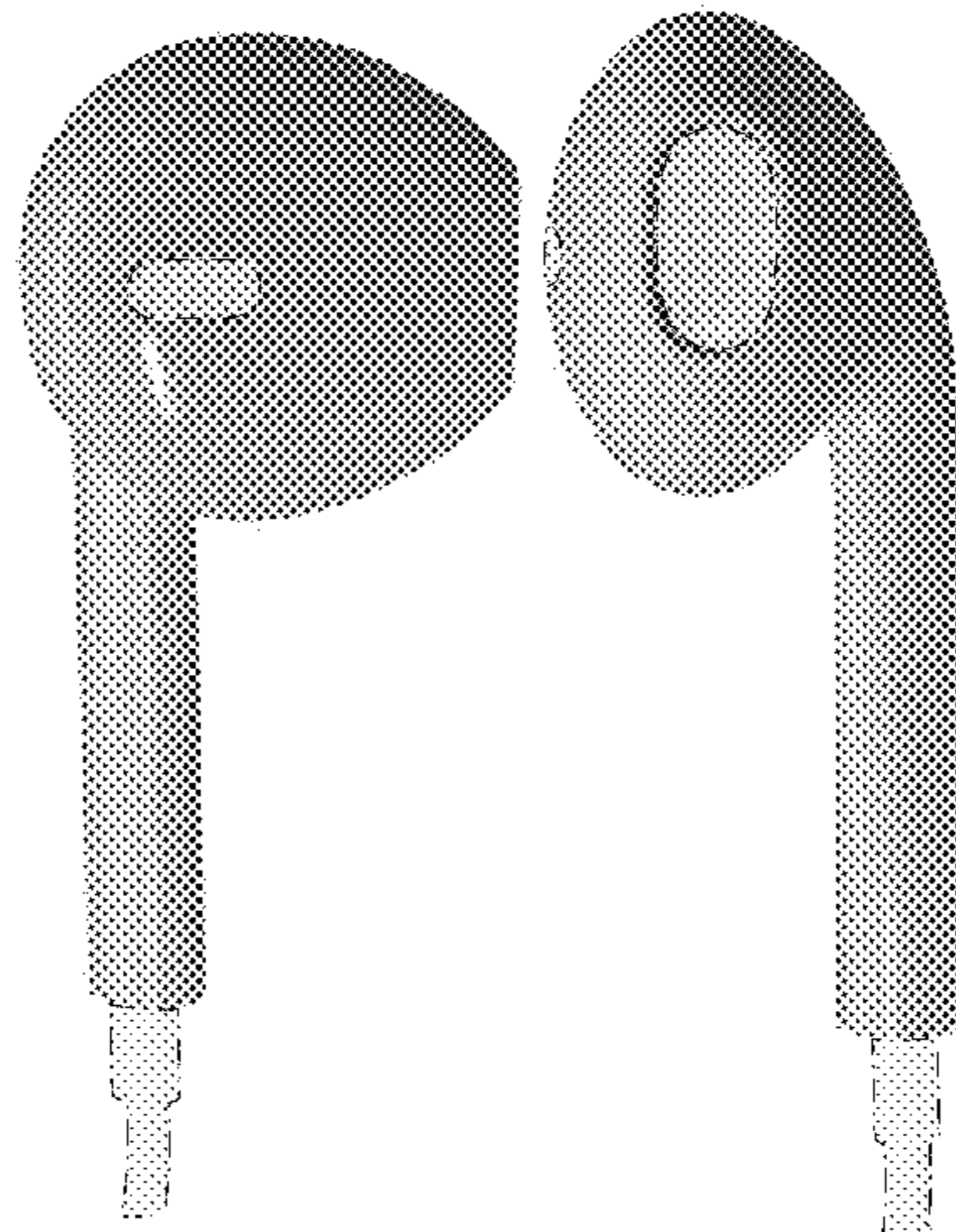


FIG. 3 is a rear view thereof;
 FIG. 4 is a left side view thereof;
 FIG. 5 is a top perspective view thereof;
 FIG. 6 is a front perspective view thereof; and,
 FIG. 7 is a bottom perspective view thereof.

The dashed broken lines in the figures show portions of the earphone that form no part of the claimed design. The dot-dash broken lines in the figures and the areas within the dot-dash broken lines show portions of the earphone that form no part of the claimed design.

**1 Claim, 4 Drawing Sheets
 (4 of 4 Drawing Sheet(s) Filed in Color)**

Related U.S. Application Data

continuation of application No. 29/530,281, filed on Jun. 15, 2015, now Pat. No. Des. 769,849, which is a continuation of application No. 29/493,749, filed on Jun. 12, 2014, now Pat. No. Des. 732,008, which is a continuation of application No. 29/453,449, filed on Apr. 29, 2013, now Pat. No. Des. 707,206, which is a continuation of application No. 29/431,563, filed on Sep. 8, 2012, now Pat. No. Des. 681,015.

(58) **Field of Classification Search**

CPC H04R 1/10; H04R 25/00; H04R 25/02;
 H04R 1/1066; H04R 1/1016; H04R
 5/033; H04R 5/0335; H04R 1/105; H04R
 1/1091; H04R 1/20

See application file for complete search history.

(56) **References Cited**

U.S. PATENT DOCUMENTS

| | | | |
|--------------|---------|------------------|---------|
| D353,379 S | 12/1994 | Nakamura et al. | |
| D469,753 S | 2/2003 | Andre et al. | |
| D506,744 S | 6/2005 | Andre et al. | |
| D554,109 S | 10/2007 | Ledbetter et al. | |
| D568,291 S | 5/2008 | Andre et al. | |
| D573,977 S | 7/2008 | Ledbetter et al. | |
| D575,269 S | 8/2008 | Ledbetter et al. | |
| D578,518 S | 10/2008 | Ewert | |
| D579,923 S | 11/2008 | Andre et al. | |
| D587,677 S | 3/2009 | Andre et al. | |
| D589,498 S | 3/2009 | Komiyama | |
| D590,375 S | 4/2009 | Komiyama | |
| D593,537 S | 6/2009 | Arimoto | |
| D596,616 S * | 7/2009 | Andre | D14/205 |
| D599,330 S | 9/2009 | Andre et al. | |
| D616,874 S | 6/2010 | Matsuoka | |
| D618,209 S | 6/2010 | Andre et al. | |

| | | | |
|-----------------|---------|----------------|------------------------|
| D618,210 S | 6/2010 | Andre et al. | |
| D618,219 S | 6/2010 | Burgett et al. | |
| D626,948 S | 11/2010 | Nault | |
| D628,193 S | 11/2010 | Zheng | |
| D652,823 S | 1/2012 | Chen | |
| D656,481 S | 3/2012 | McManigal | |
| D662,493 S | 6/2012 | Chen | |
| D666,580 S | 9/2012 | Lee et al. | |
| D669,058 S | 10/2012 | Lee et al. | |
| D676,427 S | 2/2013 | Yang | |
| 8,391,533 B2 | 3/2013 | Sim et al. | |
| D681,015 S * | 4/2013 | Akana | H04R 1/10 D14/223 |
| D687,419 S | 8/2013 | Andre et al. | |
| D691,594 S * | 10/2013 | Akana | D14/223 |
| D694,249 S | 11/2013 | Akana et al. | |
| D706,643 S * | 6/2014 | Akana | D9/721 |
| D707,206 S * | 6/2014 | Akana | H04R 1/10 D14/223 |
| D732,008 S * | 6/2015 | Akana | H04R 1/10 D14/223 |
| D769,849 S * | 10/2016 | Akana | H04R 1/10 D14/223 |
| D801,314 S | 10/2017 | Akana et al. | |
| D820,809 S * | 6/2018 | Akana | D14/205 |
| D823,835 S * | 7/2018 | Loermann | D14/223 |
| D828,823 S * | 9/2018 | Lin | D14/223 |
| D830,345 S * | 10/2018 | Cai | D14/223 |
| D847,125 S * | 4/2019 | Akana | D14/223 |
| D853,995 S * | 7/2019 | Cai | D14/223 |
| D867,325 S * | 11/2019 | Akana | H04R 1/10 D14/205 |
| D869,445 S * | 12/2019 | Hu | D14/223 |
| RE47,915 E * | 3/2020 | Akana | H04R 1/1016 D14/223 |
| D878,337 S * | 3/2020 | Yang | D14/223 |
| D883,260 S * | 5/2020 | Hu | D14/223 |
| D885,373 S * | 5/2020 | Lundback | D14/223 |
| D887,396 S * | 6/2020 | Wang | D14/223 |
| D888,691 S * | 6/2020 | Liu | D14/223 |
| D889,437 S * | 7/2020 | Ando | D14/223 |
| D890,138 S * | 7/2020 | Peng | D14/223 |
| D896,788 S * | 9/2020 | Akana | D14/223 |
| 2012/0237074 A1 | 9/2012 | Aase | |

FOREIGN PATENT DOCUMENTS

| | | | |
|----|----------------|---|--------|
| EM | 003785278-0002 | * | 3/2017 |
| EM | 007754874-0001 | * | 3/2020 |
| EM | 008132765-0003 | * | 8/2020 |

OTHER PUBLICATIONS

“Philips SHE2650/37 In-Ear Earbuds with Twin Vents,” ShoppingNexus.com, accessed at <http://www.shoppingnexus.com/electronics/pr/philips-she265037-in-ear-earbuds-with-twin-vents.html>, last accessed on Jan. 31, 2013; 1 page.

* cited by examiner

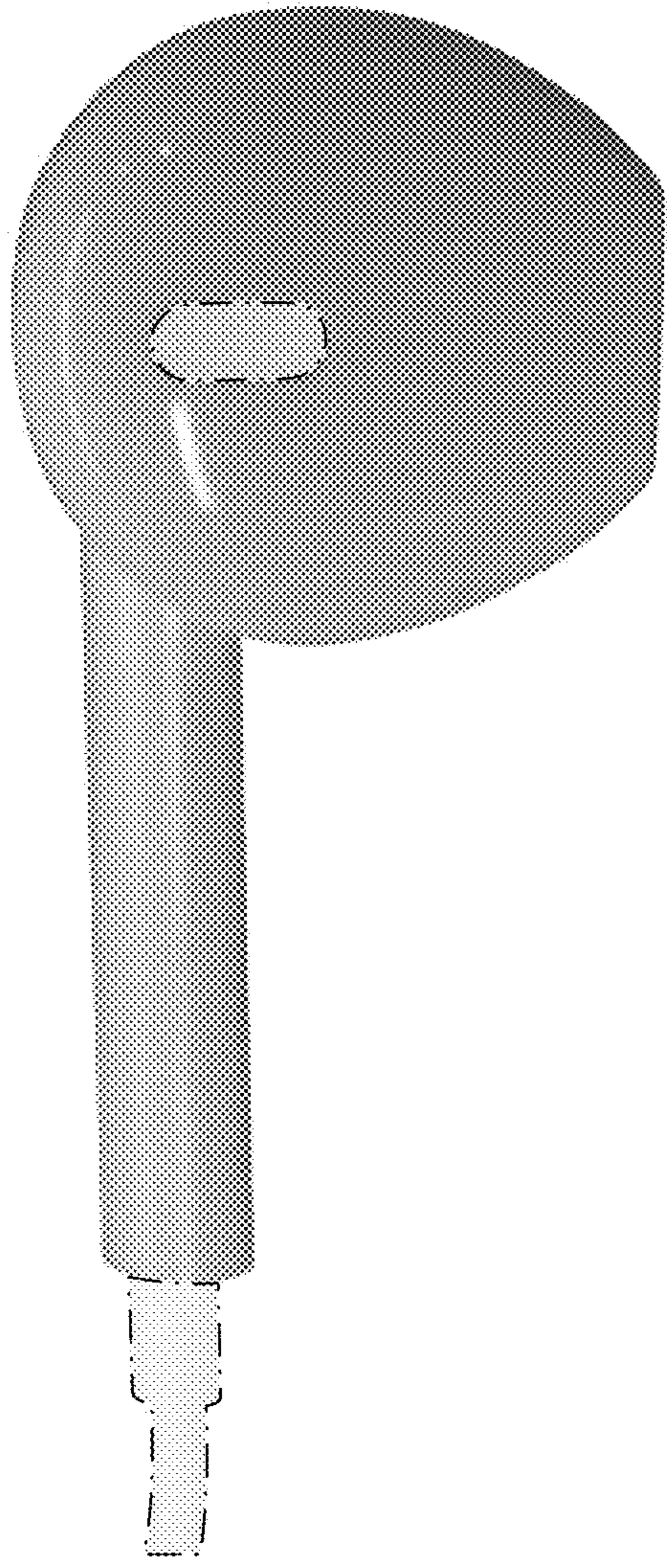


FIG. 1

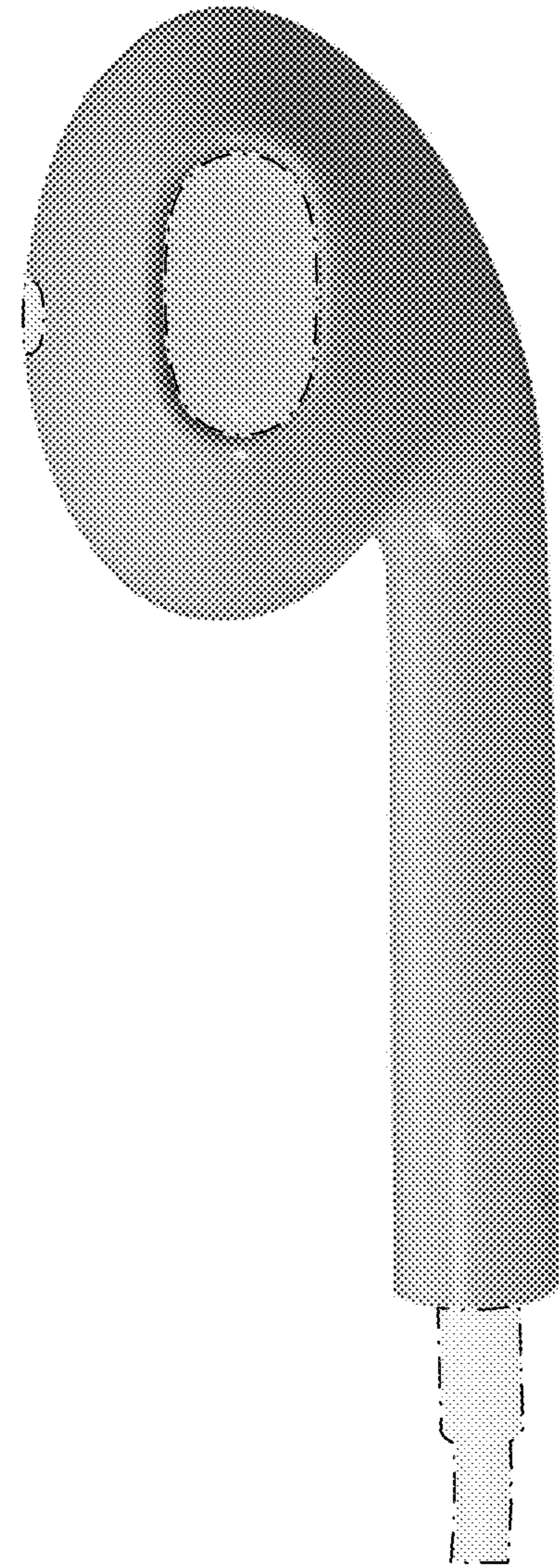


FIG. 2

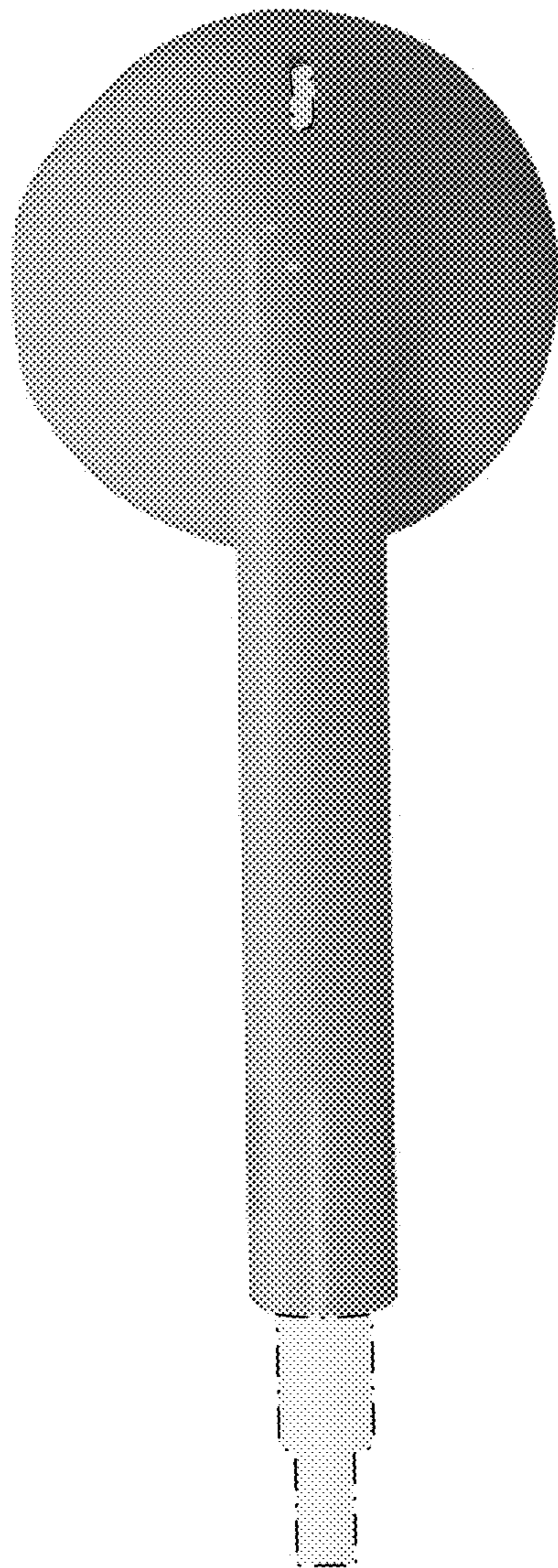


FIG. 3

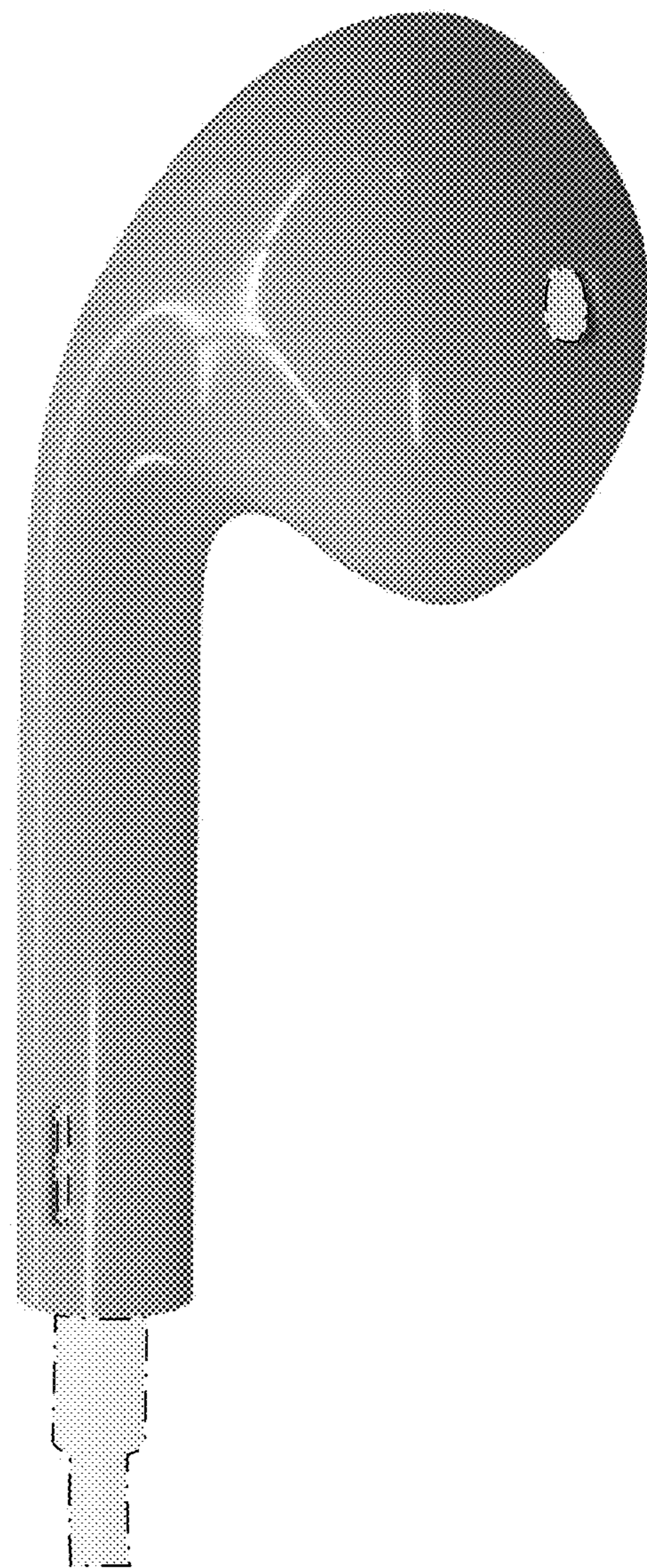


FIG. 4

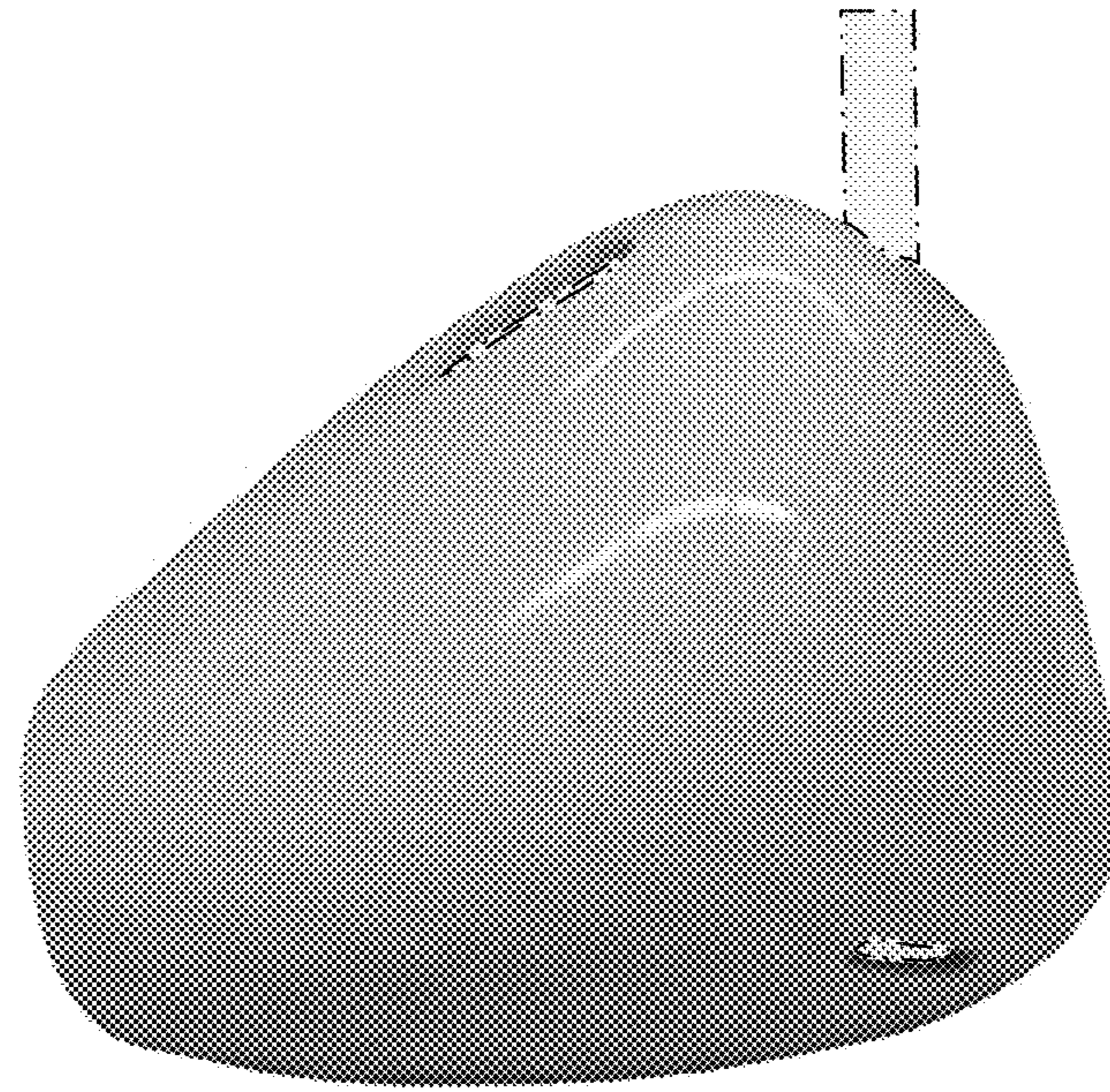


FIG. 5

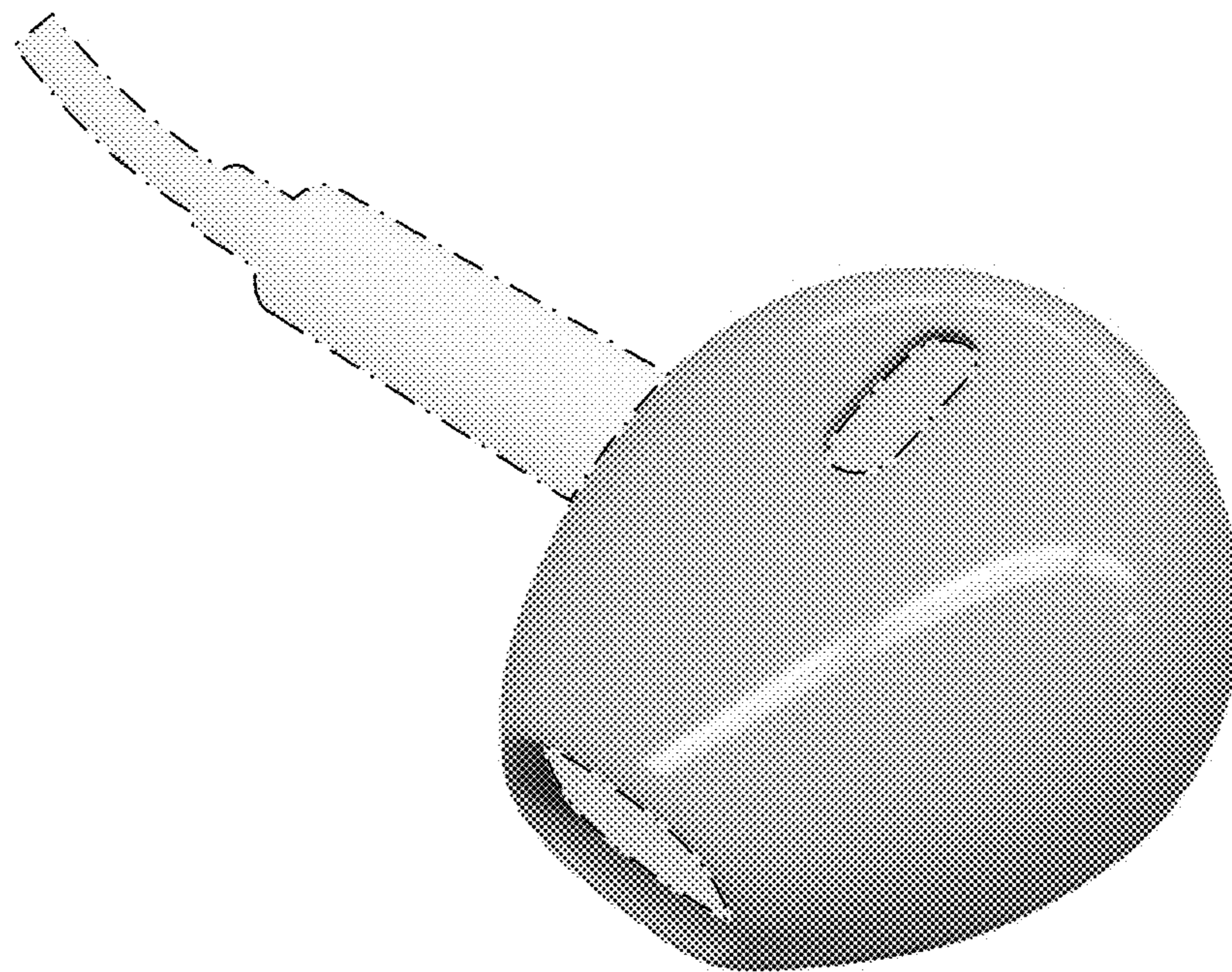


FIG. 6

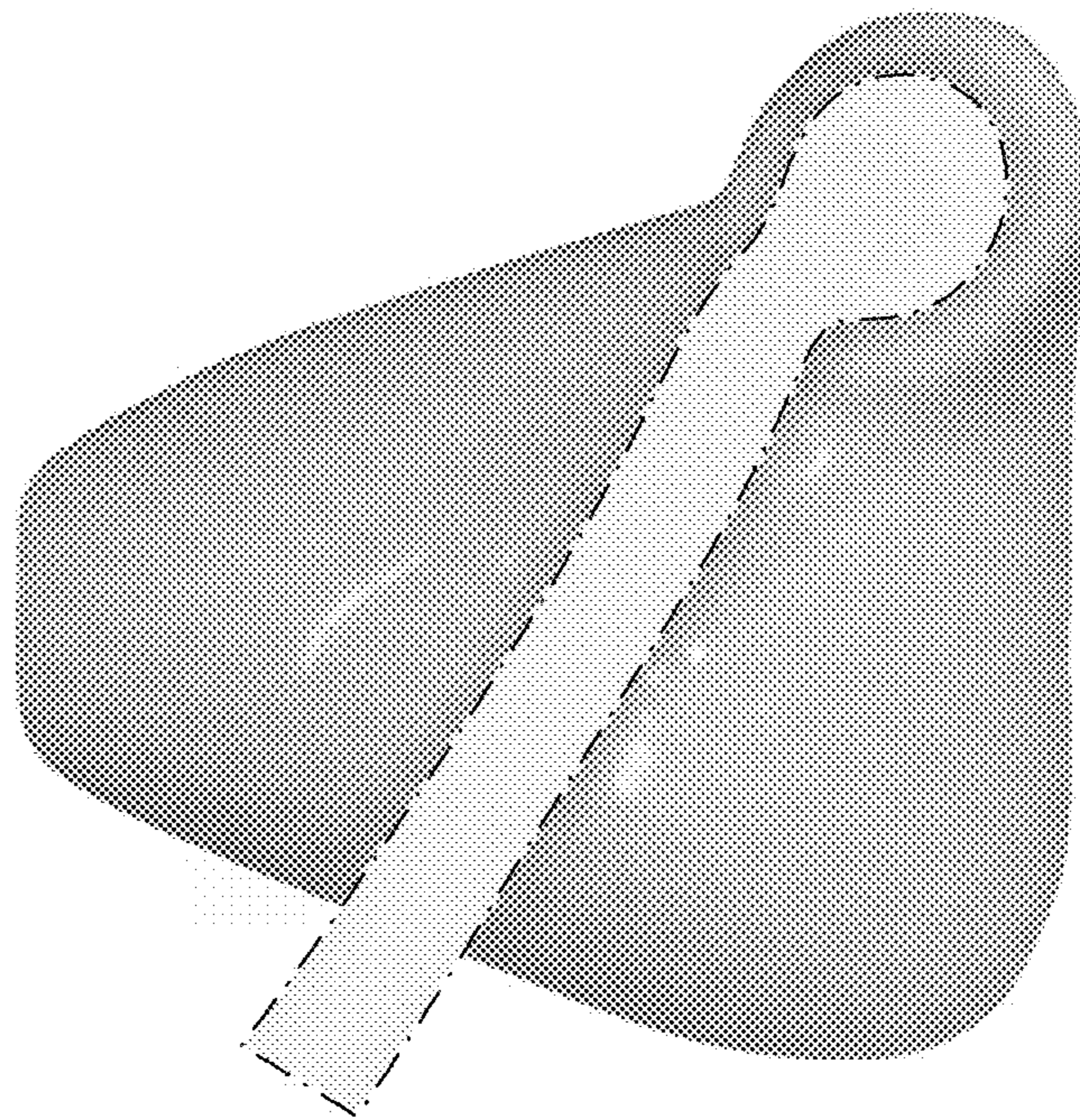


FIG. 7

UNITED STATES PATENT AND TRADEMARK OFFICE
CERTIFICATE OF CORRECTION

PATENT NO. : D915,354 S
APPLICATION NO. : 29/713433
DATED : April 6, 2021
INVENTOR(S) : Akana et al.

Page 1 of 1

It is certified that error appears in the above-identified patent and that said Letters Patent is hereby corrected as shown below:

On the Title Page

In the "Description" item (57), please remove the following paragraph:

"The patent or application file contains at least one drawing executed in color. Copies of this patent or patent application publication with color drawing(s) will be provided by the Office upon request and payment of the necessary fee."

Signed and Sealed this
Eleventh Day of May, 2021



Drew Hirshfeld
*Performing the Functions and Duties of the
Under Secretary of Commerce for Intellectual Property and
Director of the United States Patent and Trademark Office*