



US00D915349S

(12) **United States Design Patent**
Edelman

(10) **Patent No.:** **US D915,349 S**
(45) **Date of Patent:** **** Apr. 6, 2021**

(54) **SPEAKER**

(71) Applicant: **David Edelman**, Rydal, PA (US)

(72) Inventor: **David Edelman**, Rydal, PA (US)

(**) Term: **15 Years**

(21) Appl. No.: **29/715,551**

(22) Filed: **Dec. 3, 2019**

(51) **LOC (13) Cl.** **14-01**

(52) **U.S. Cl.**
USPC **D14/209.1**; D14/204

(58) **Field of Classification Search**
USPC D14/155–159, 160–173, 187–188,
D14/203.1–203.8, 204–216, 217–222,
D14/223, 225–229, 496
CPC H04R 1/02; H04R 1/021; H04R 1/023;
H04R 5/00; H04R 9/06; H04R 2420/07
See application file for complete search history.

(56) **References Cited**

U.S. PATENT DOCUMENTS

D625,289 S * 10/2010 Hao D14/209.1
D636,378 S * 4/2011 Ohashi D14/209.1
D905,010 S * 12/2020 Kim D14/211

FOREIGN PATENT DOCUMENTS

KR 300972845.0000 * 9/2018

* cited by examiner

Primary Examiner — Barbara Fox

Assistant Examiner — Aram Kwon

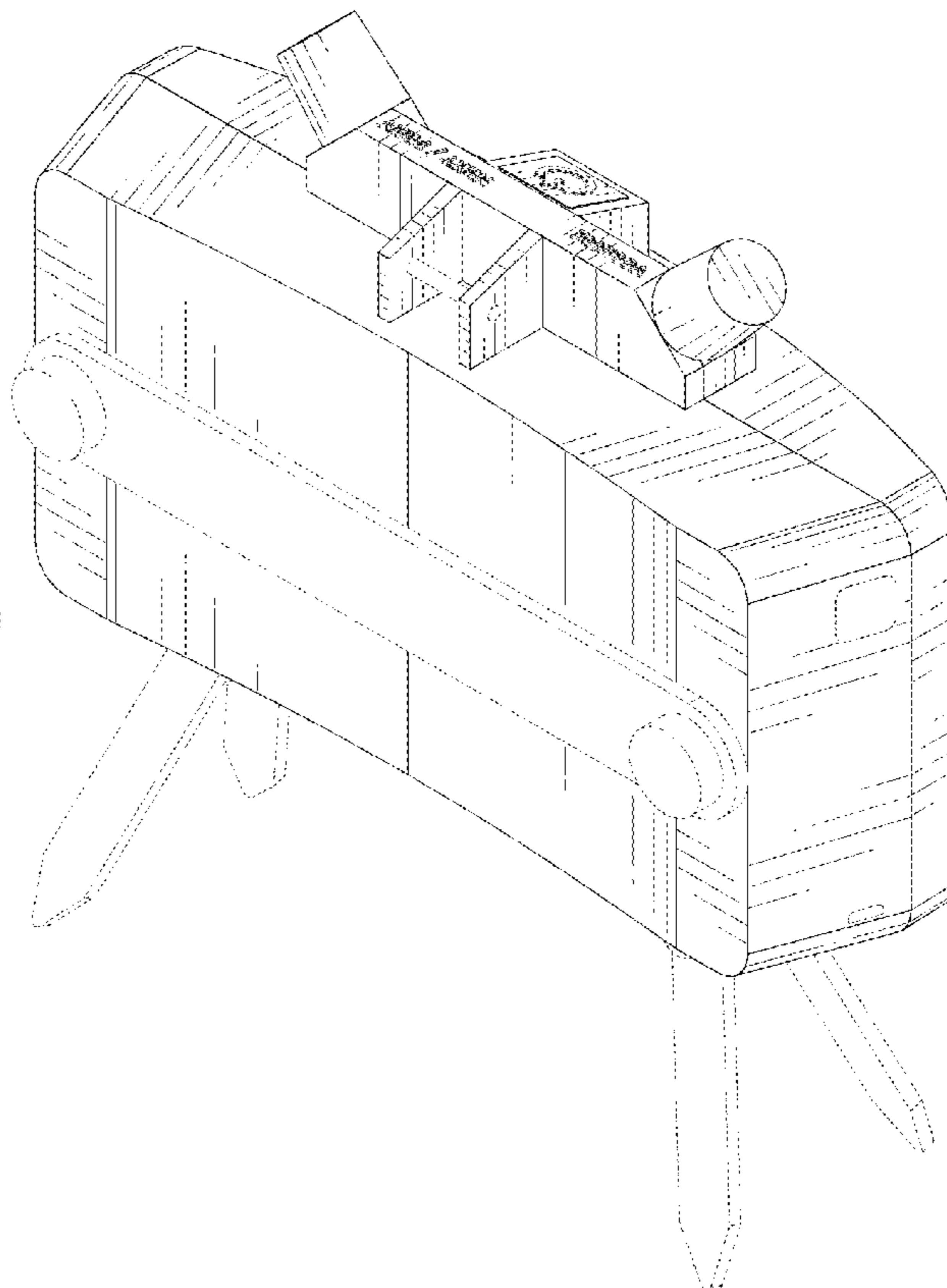
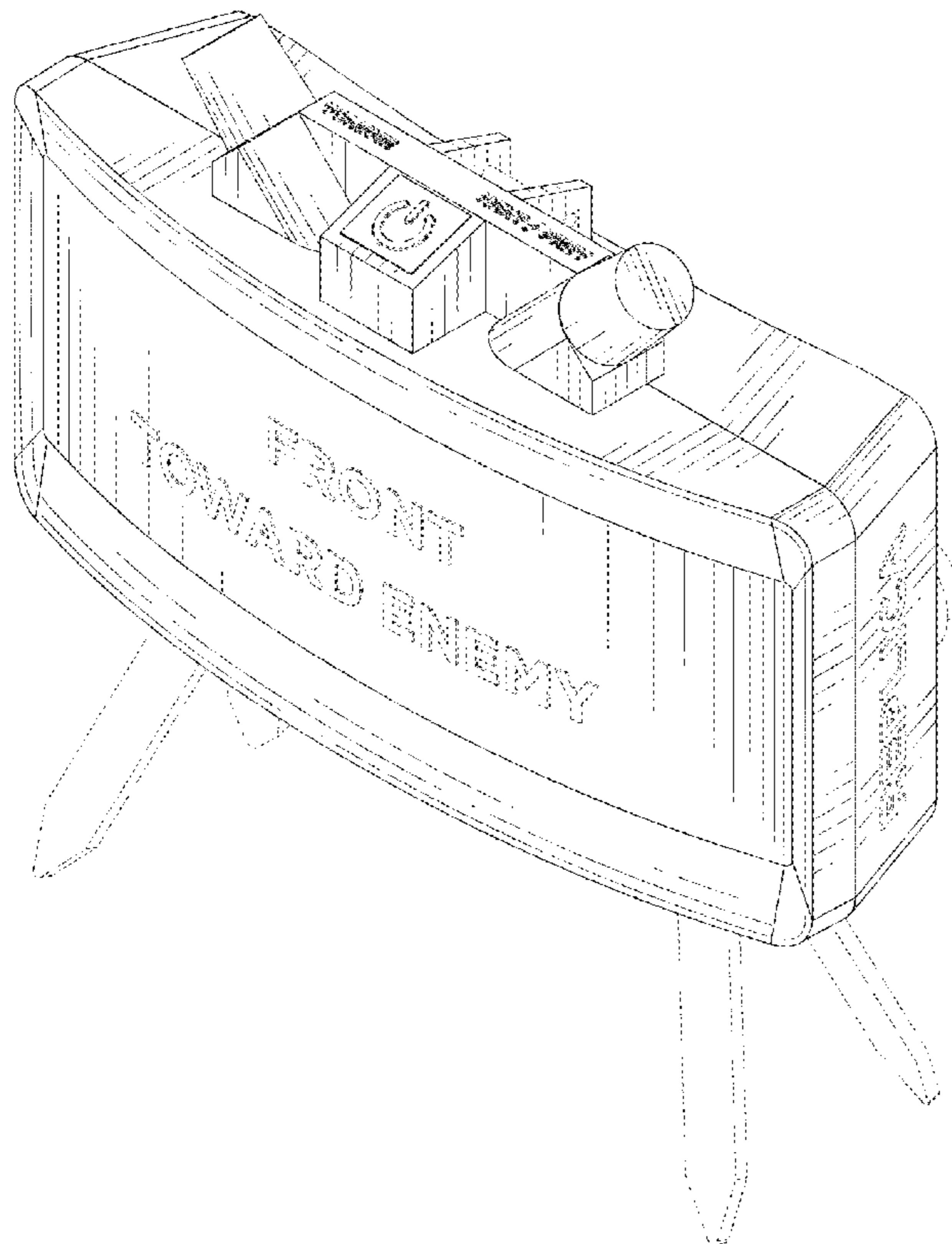
(57) **CLAIM**

The ornamental design for a speaker, as shown and described.

DESCRIPTION

FIG. 1 is a front-top perspective view of a speaker showing my new design;
FIG. 2 is a front-bottom perspective view thereof;
FIG. 3 is a rear-top perspective view thereof;
FIG. 4 is a rear-bottom perspective view thereof;
FIG. 5 is a front elevational view thereof;
FIG. 6 is a rear elevational view thereof;
FIG. 7 is a left elevational view thereof;
FIG. 8 is a right elevational view thereof;
FIG. 9 is a top plan view thereof; and,
FIG. 10 is a bottom plan view thereof.
The broken lines show portions of the speaker that form no part of the claimed design.

1 Claim, 10 Drawing Sheets



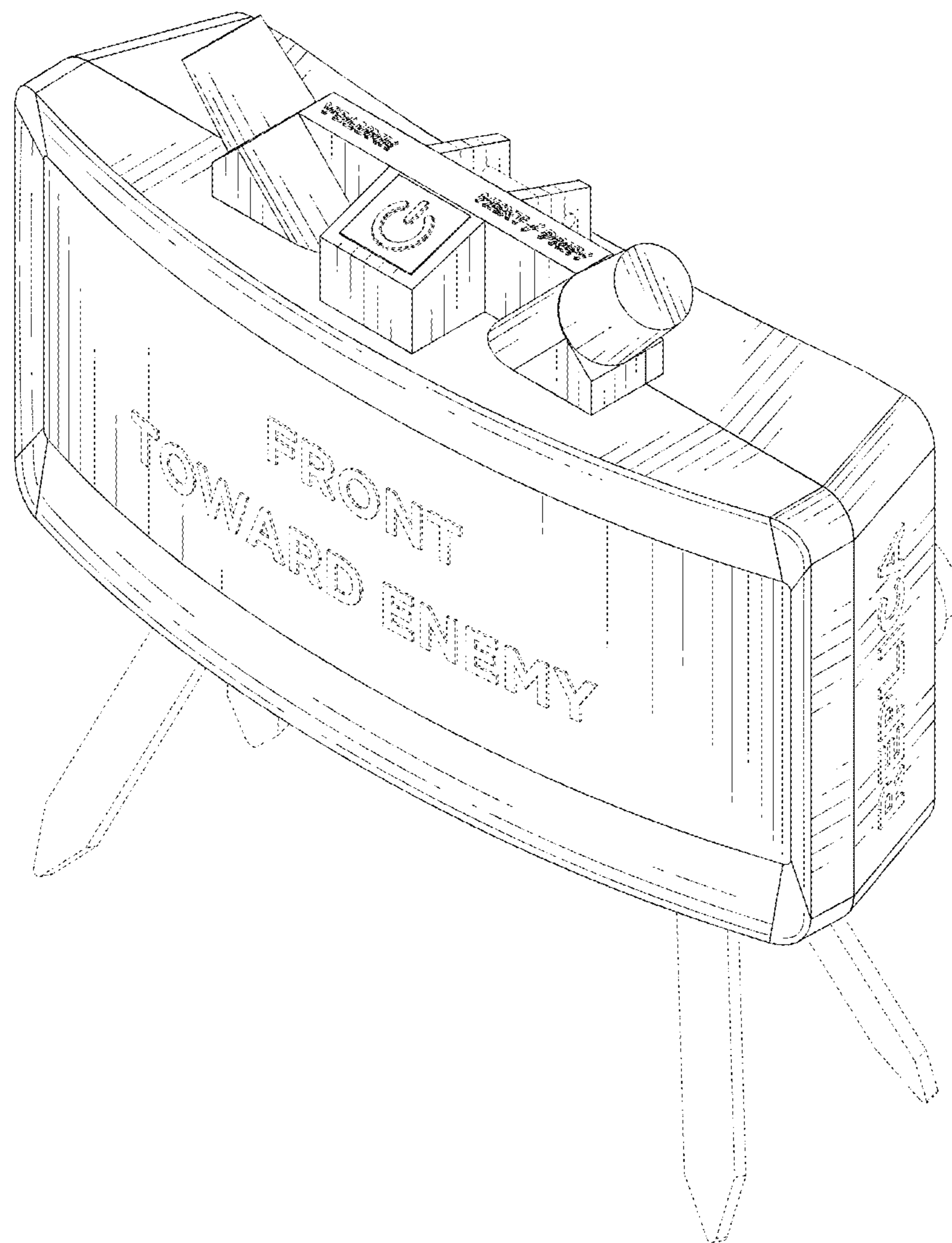


FIG. 1

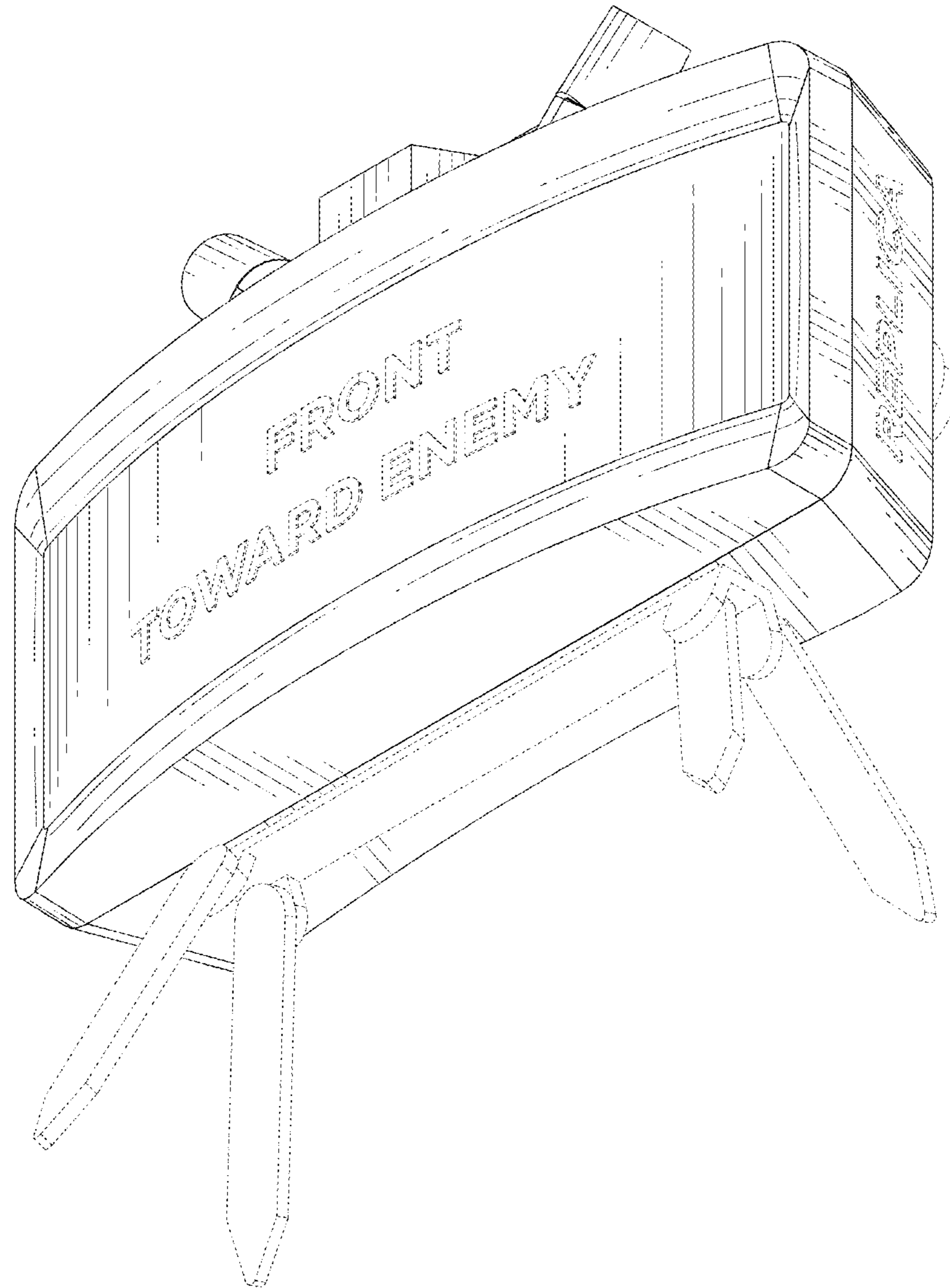


FIG. 2

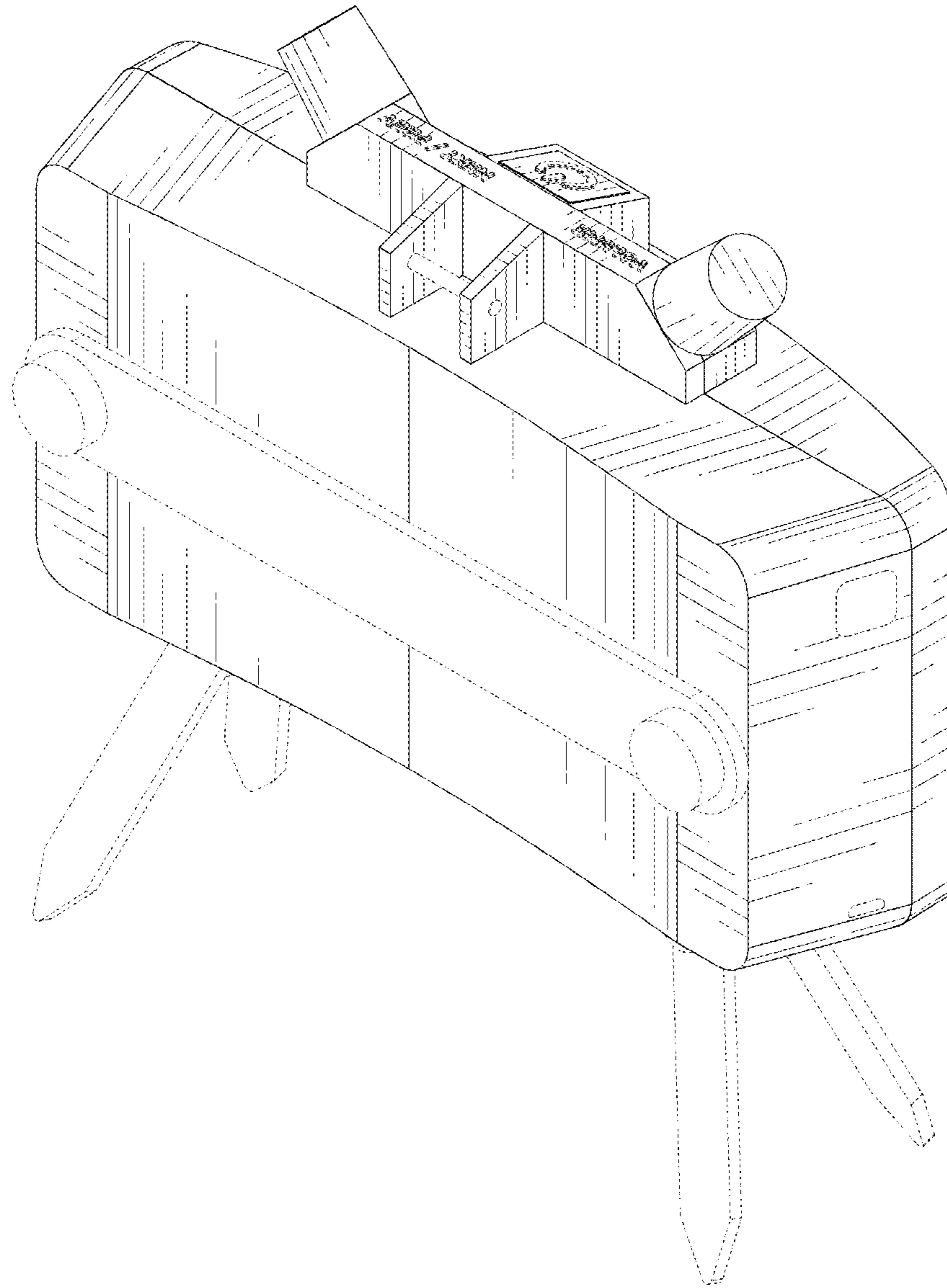


FIG. 3

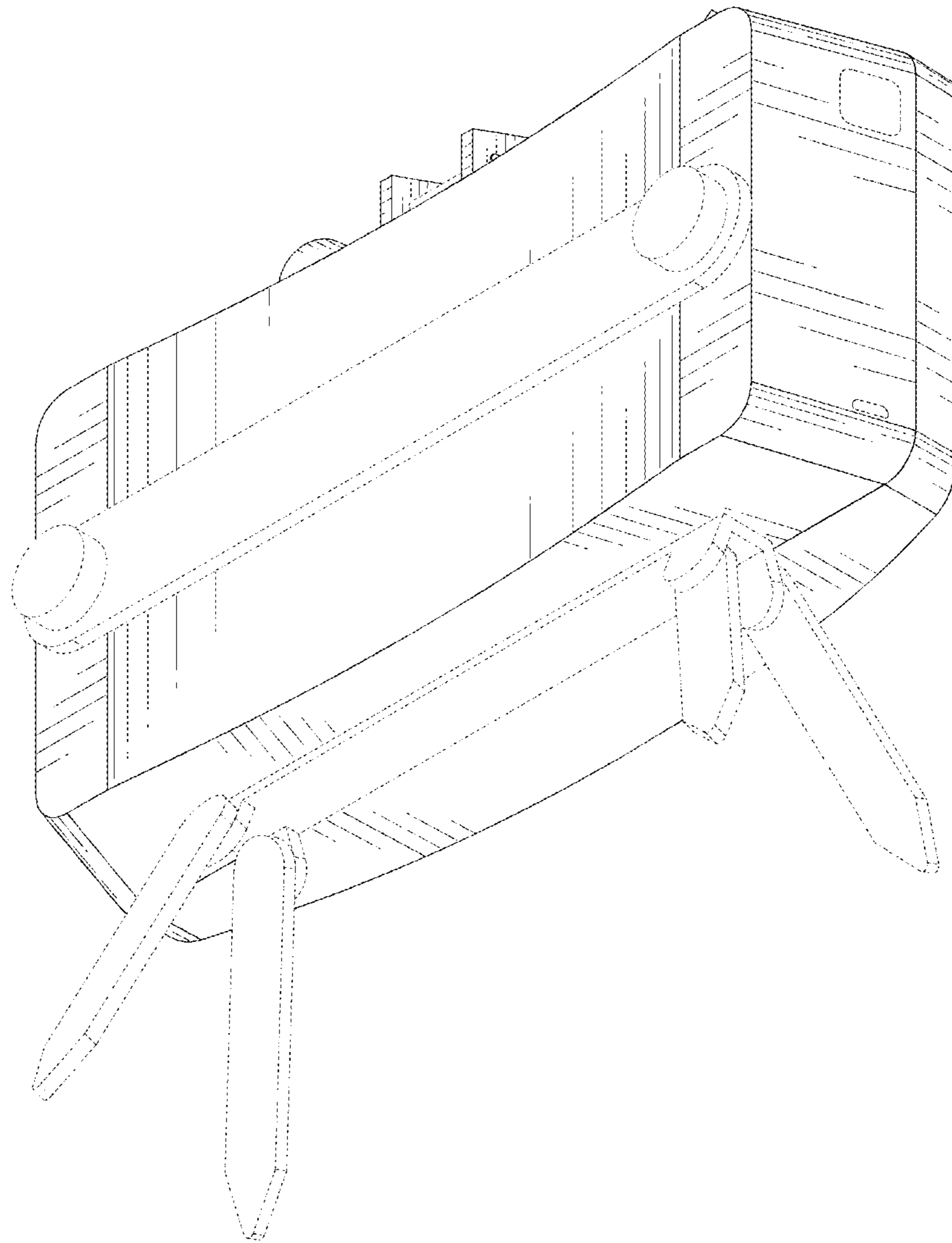


FIG. 4

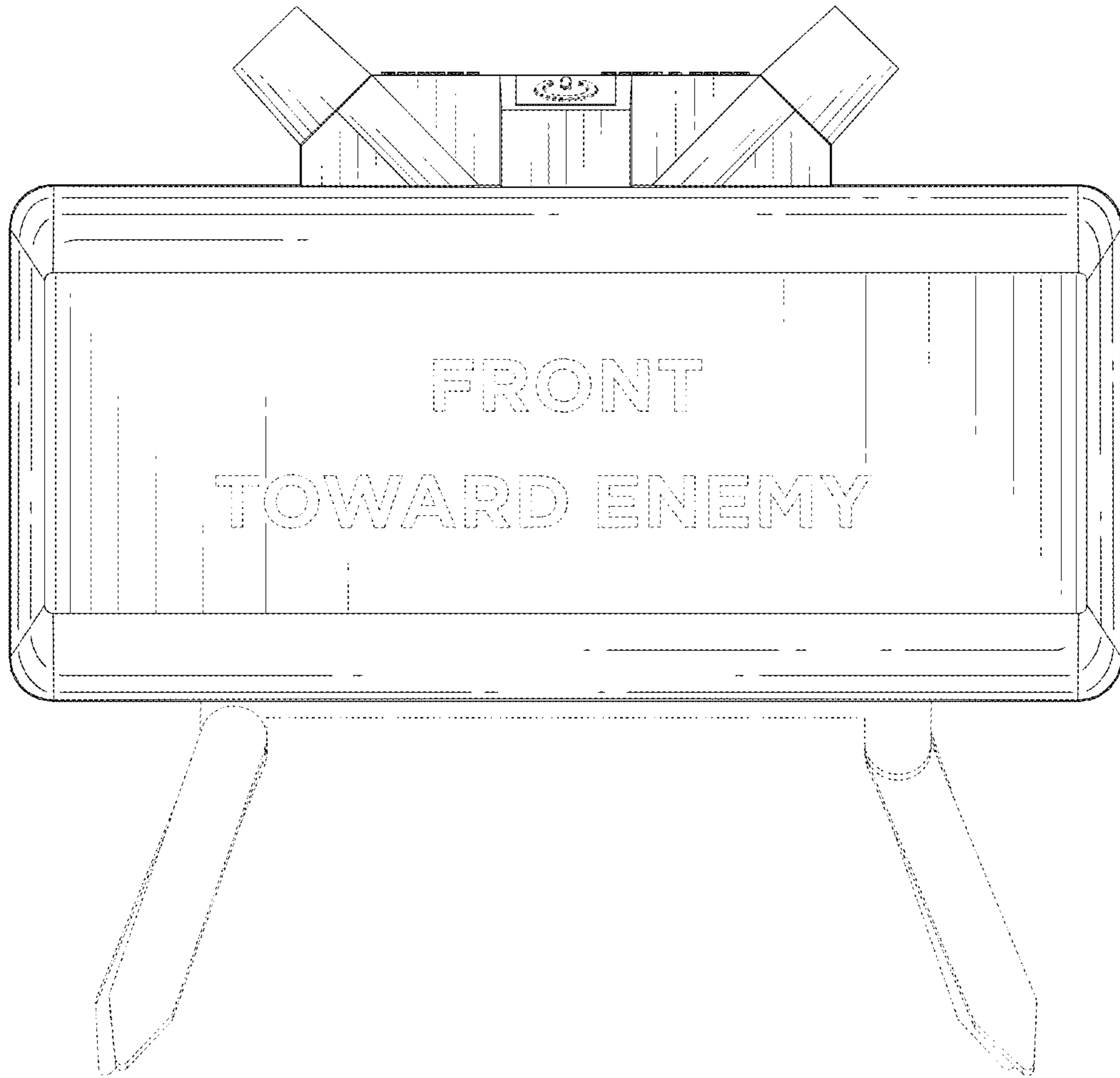


FIG. 5

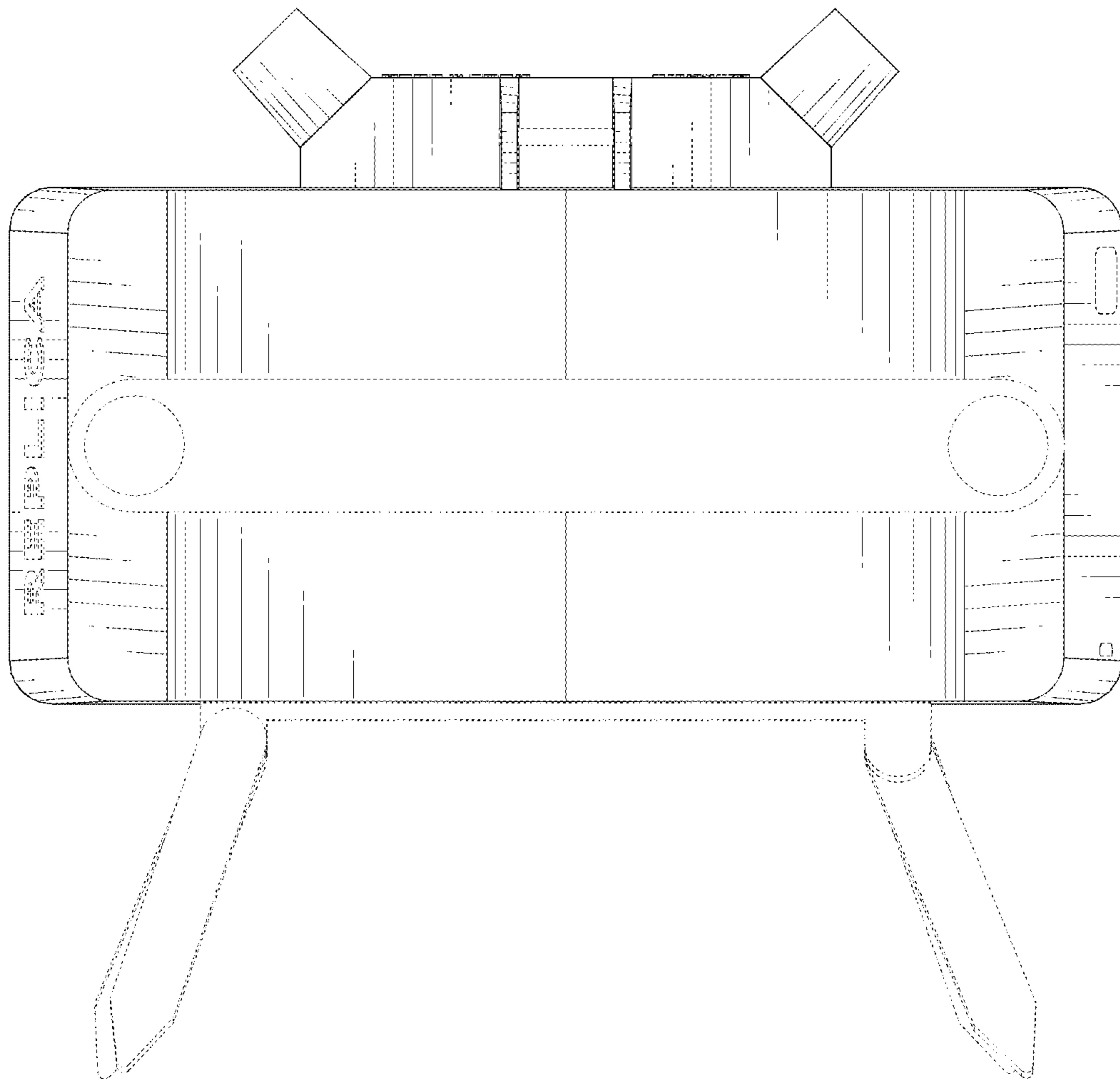


FIG. 6

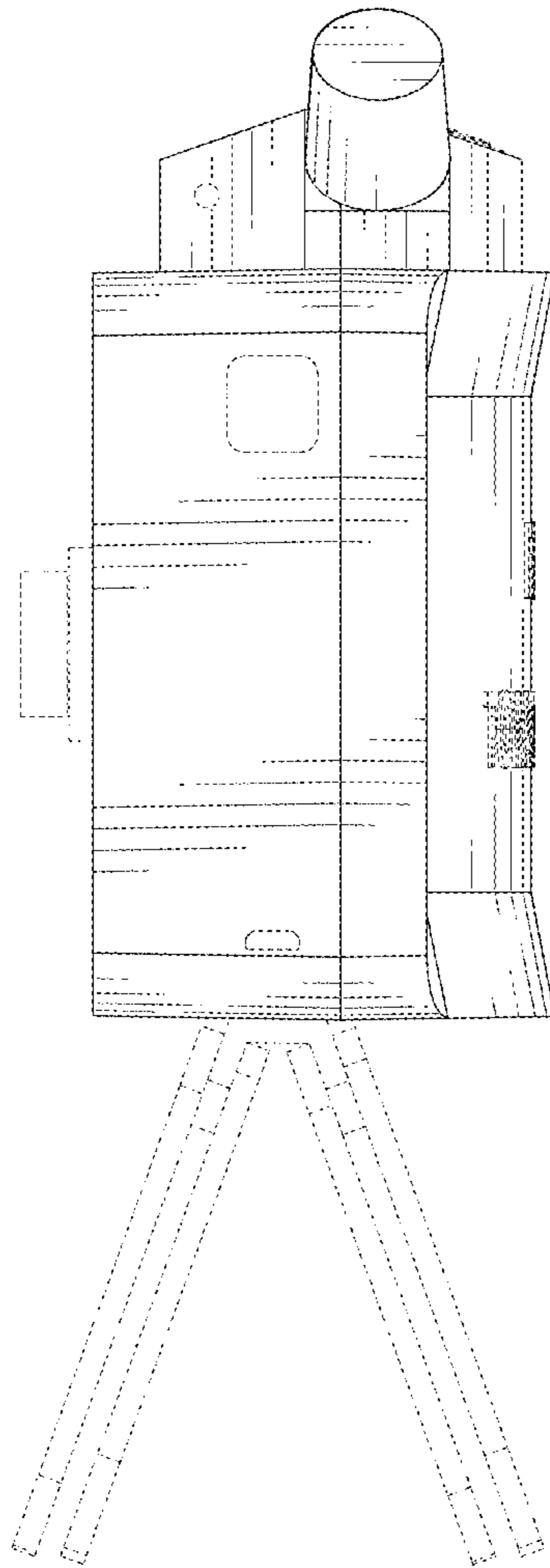


FIG. 7

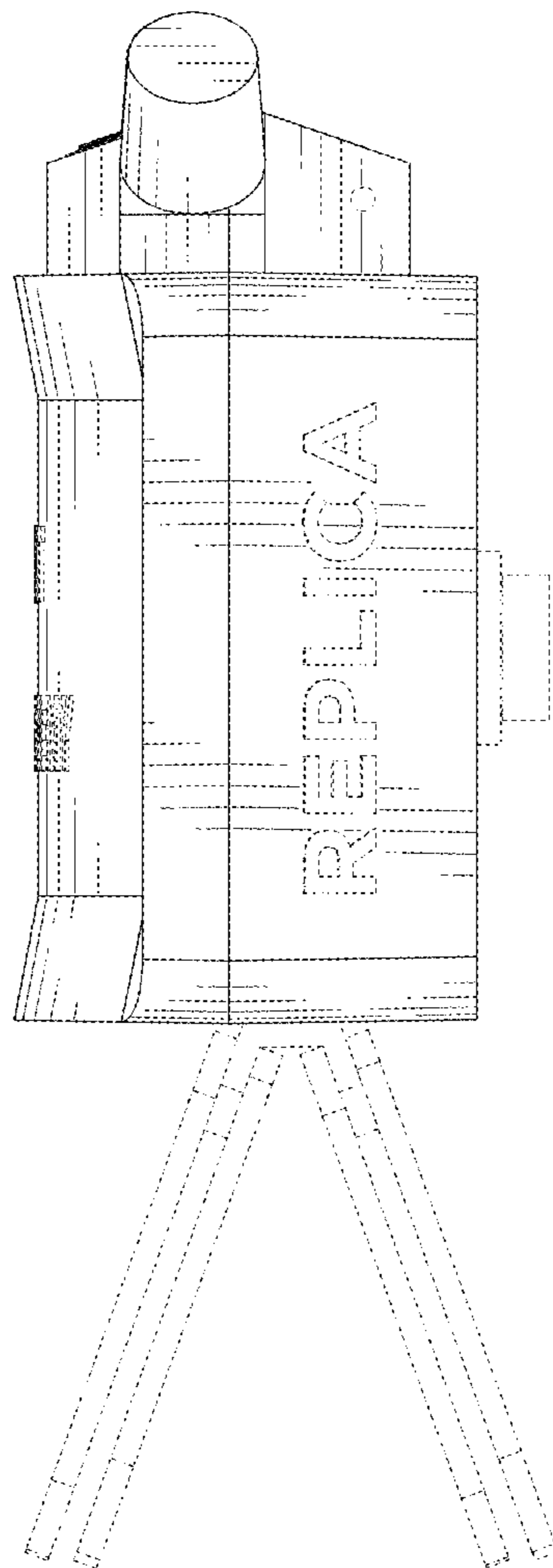


FIG. 8

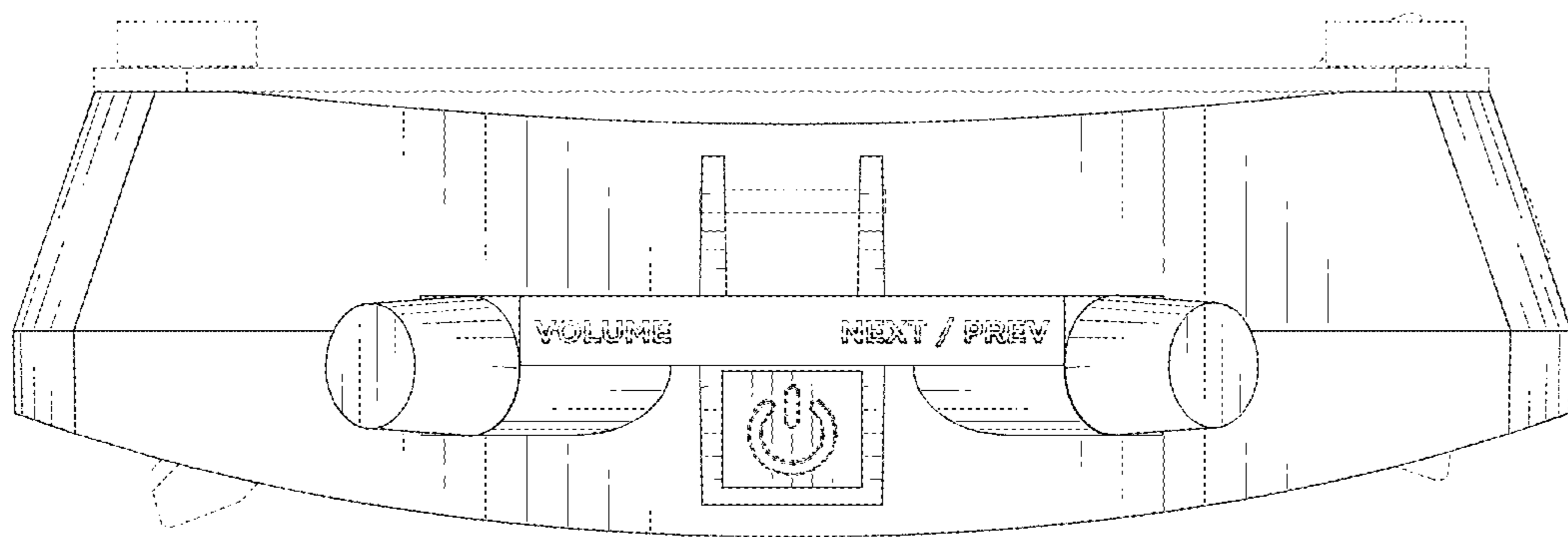


FIG. 9

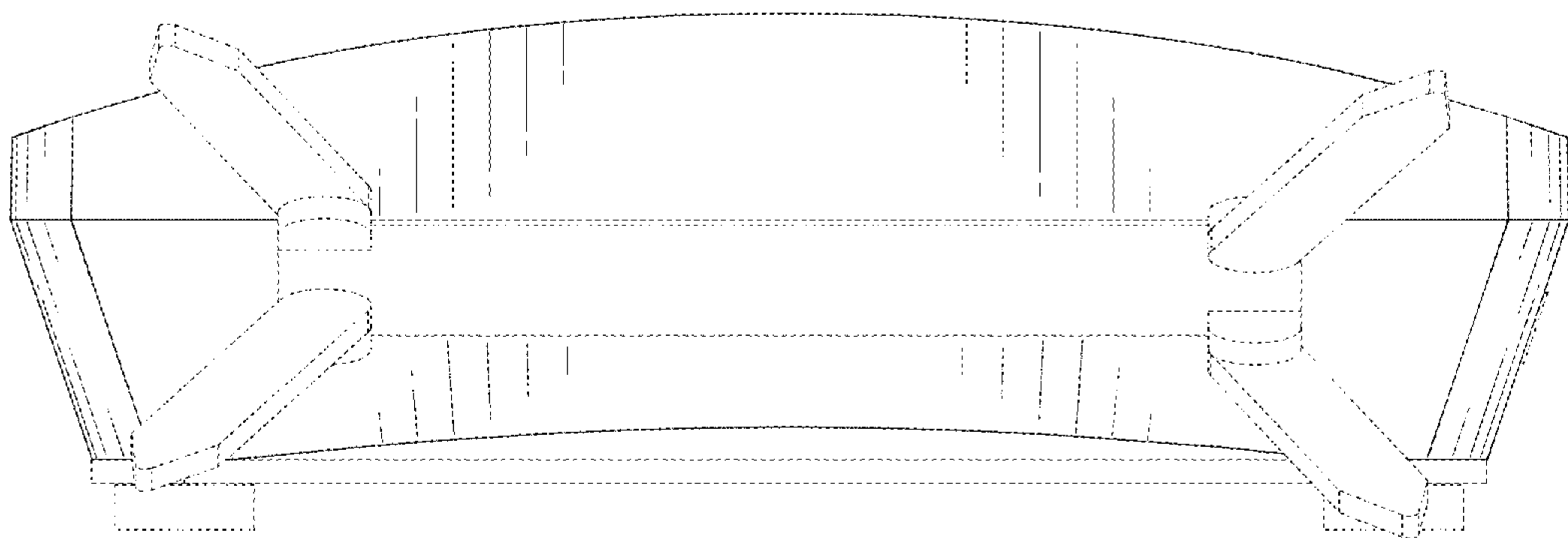


FIG. 10