



US00D915348S

(12) **United States Design Patent** (10) **Patent No.:** **US D915,348 S**
He (45) **Date of Patent:** **** Apr. 6, 2021**

(54) **HEADPHONES**

(71) Applicant: **SHENZHEN QIANHAI PATUOXUN NETWORK AND TECHNOLOGY CO., LTD**, Shenzhen (CN)

(72) Inventor: **Yue He**, Shenzhen (CN)

(73) Assignee: **SHENZHEN QIANHAI PATUOXUN NETWORK AND TECHNOLOGY CO., LTD**, Shenzhen (CN)

(**) Term: **15 Years**

(21) Appl. No.: **29/755,182**

(22) Filed: **Oct. 19, 2020**

(51) **LOC (13) Cl.** **14-01**

(52) **U.S. Cl.**
USPC **D14/206**

(58) **Field of Classification Search**
USPC D14/206, 225, 226, 205; D29/112;
2/209; 381/380, 381, 374; 455/90.3,
455/575.1, 569.1

CPC H04R 25/00; H04R 19/04; H04R 1/1066;
H04R 1/1016; H04R 5/0335; H04R
5/033; H04R 1/1091

See application file for complete search history.

(56) **References Cited**

U.S. PATENT DOCUMENTS

- 2,353,070 A * 7/1944 Pitkin, Jr. H04R 1/1008
379/430
- 3,445,597 A * 5/1969 Walters H04M 1/05
379/430
- 3,457,565 A * 7/1969 Boyer A61F 11/14
2/209
- 3,555,207 A * 1/1971 Cech H04M 1/05
379/430
- D410,466 S * 6/1999 Mouri D14/205
- D420,356 S * 2/2000 Suzuki D14/205

- D435,249 S * 12/2000 Yasutomi D14/205
- D445,416 S * 7/2001 Glezerman D14/206
- D457,512 S * 5/2002 Yoneda H04R 5/0335
D14/205
- D479,837 S * 9/2003 Sundquist D14/228
- D481,375 S * 10/2003 Suzuki D14/206
- D488,146 S * 4/2004 Minto D14/206
- D533,166 S * 12/2006 Marquez D14/225
- D533,869 S * 12/2006 Drambarean D14/225
- D563,382 S * 3/2008 Wikel D14/205
- D567,215 S * 4/2008 Lee D14/205
- D578,508 S * 10/2008 Wang D14/206
- D581,394 S * 11/2008 Lee D14/205
- D589,028 S * 3/2009 Haapapuro D14/206
- D594,847 S * 6/2009 Suzuki D14/205
- D609,694 S * 2/2010 Komiyama D14/205
- D617,781 S * 6/2010 Kallas D14/226

(Continued)

FOREIGN PATENT DOCUMENTS

- CN 305947448 * 7/2020
- CN 306128872 * 10/2020

Primary Examiner — Paula Allen Greene

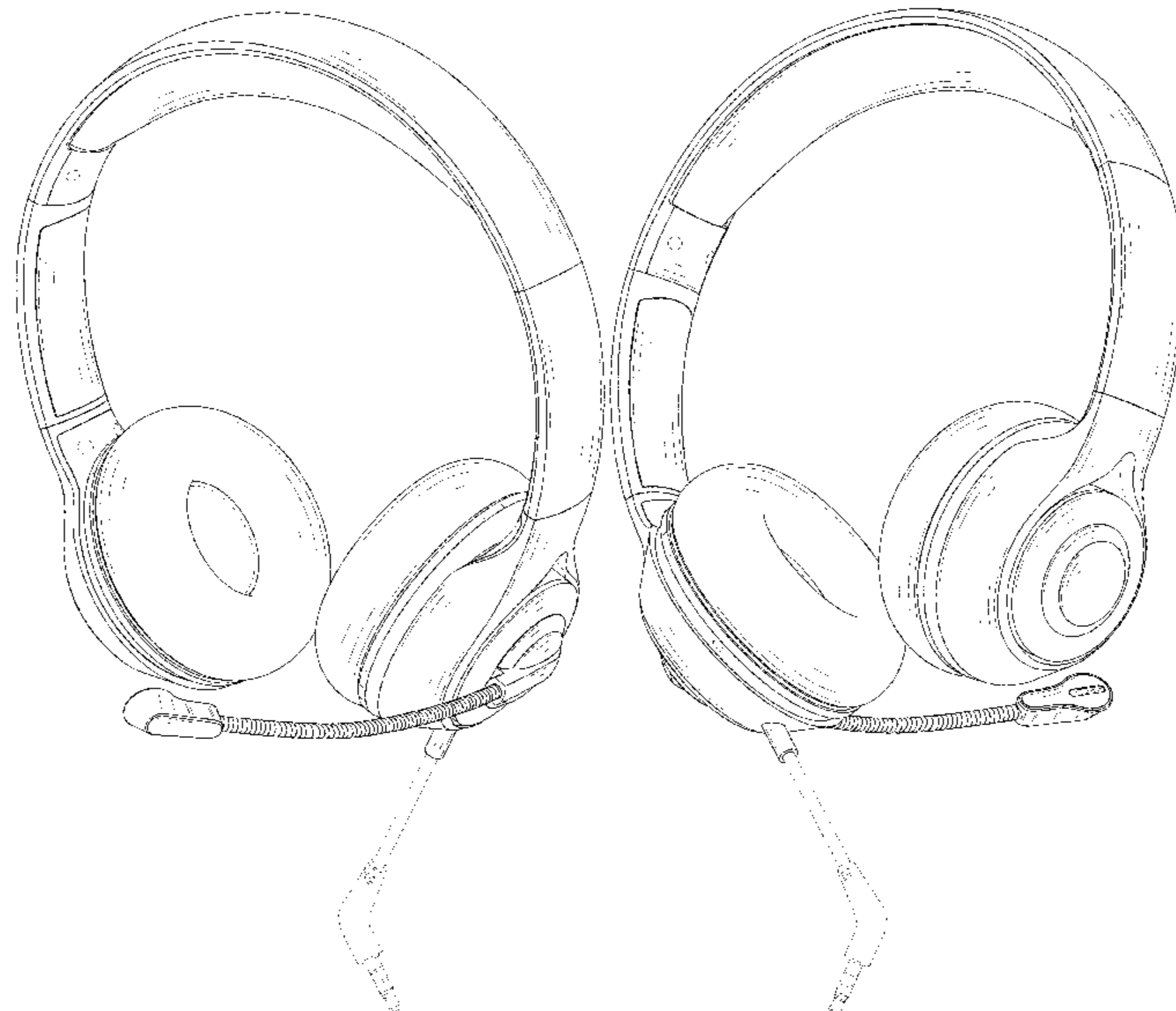
(57) **CLAIM**

The ornamental design for headphones, as shown and described.

DESCRIPTION

FIG. 1 is a perspective view of headphones showing my new design;
 FIG. 2 is another perspective view thereof;
 FIG. 3 is a front elevational view thereof;
 FIG. 4 is a rear elevational view thereof;
 FIG. 5 is a left side elevational view thereof;
 FIG. 6 is a right side elevational view thereof;
 FIG. 7 is a top plan view thereof; and,
 FIG. 8 is a bottom plan view thereof.
 The broken lines in the drawings depict portions of the headphones that form no part of the claimed design.

1 Claim, 8 Drawing Sheets



(56)

References Cited

U.S. PATENT DOCUMENTS

D620,474 S * 7/2010 Komiyama D14/205
 D620,482 S * 7/2010 Chen D14/225
 D635,959 S * 4/2011 Hutchieson D14/205
 D637,176 S * 5/2011 Brunner D14/205
 D641,003 S * 7/2011 Alden D14/205
 D642,554 S * 8/2011 Schaal D14/205
 D652,405 S * 1/2012 Lee D14/205
 D674,767 S * 1/2013 Brunner D14/205
 D684,559 S * 6/2013 Groset D14/205
 D686,593 S * 7/2013 Larsen D14/205
 D691,113 S * 10/2013 Gougherty D14/206
 D691,984 S * 10/2013 Wang D14/205
 D696,226 S * 12/2013 Brunner H04R 5/033
 D699,702 S * 2/2014 Chen D14/205
 D716,762 S * 11/2014 Greve D14/206
 D728,512 S * 5/2015 Nakagawa D14/205
 D736,174 S * 8/2015 Levine D14/205
 D741,842 S * 10/2015 Levine D14/226
 D750,041 S * 2/2016 Birger D14/205
 D766,870 S * 9/2016 Catalano D14/205
 D768,110 S * 10/2016 Suzuki D14/205
 D786,824 S * 5/2017 Hembrey D14/205
 D795,218 S 8/2017 Ohmachi

D795,835 S * 8/2017 Nagamine D14/205
 D800,092 S * 10/2017 Paterson D14/206
 D810,055 S * 2/2018 Levine D14/226
 D835,080 S * 12/2018 Chen D14/226
 10,178,563 B2 * 1/2019 Tang H04W 24/08
 D840,370 S * 2/2019 Kelly D14/205
 D841,620 S * 2/2019 Liu D14/206
 D855,036 S * 7/2019 Yan D14/206
 D856,303 S * 8/2019 Ando D14/205
 D864,155 S * 10/2019 Liu D14/206
 D864,156 S * 10/2019 Liu D14/206
 D869,437 S 12/2019 Hu
 D870,696 S * 12/2019 Deng D14/206
 D872,050 S * 1/2020 Liu D14/206
 D877,116 S * 3/2020 Liu D14/206
 D877,715 S * 3/2020 Hu D14/205
 D879,742 S * 3/2020 Hu D14/205
 D881,843 S * 4/2020 Hu D14/206
 D883,949 S * 5/2020 Hu D14/205
 D885,363 S * 5/2020 Li D14/205
 D899,401 S * 10/2020 Smiechowski D14/205
 D900,057 S * 10/2020 Shan D14/205
 D900,069 S * 10/2020 Murata D14/225
 D904,338 S * 12/2020 Treski D14/205
 D907,004 S * 1/2021 Zhou D14/206
 2013/0343591 A1 * 12/2013 Brunner H04R 1/1075
 381/371

* cited by examiner

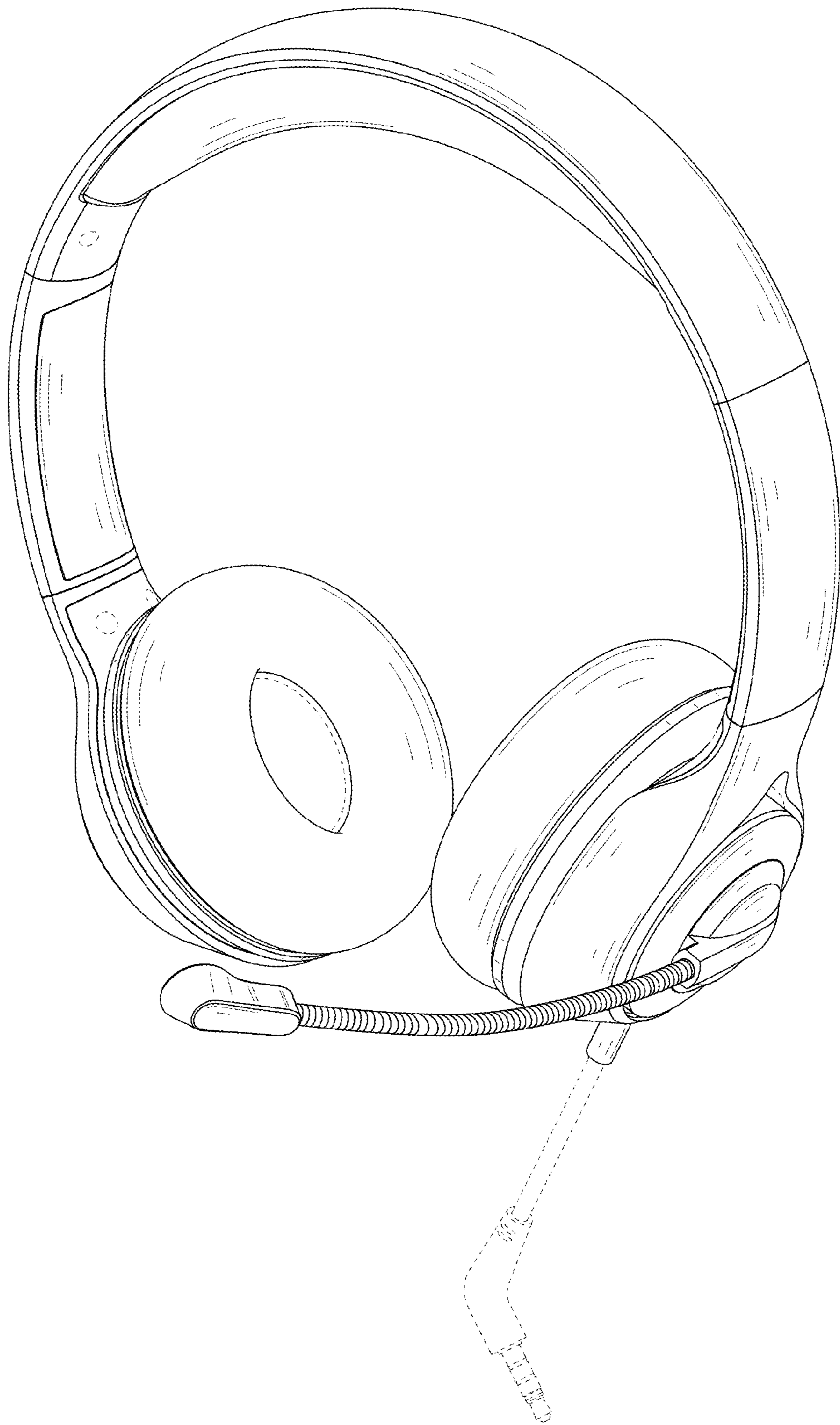


FIG. 1



FIG. 2

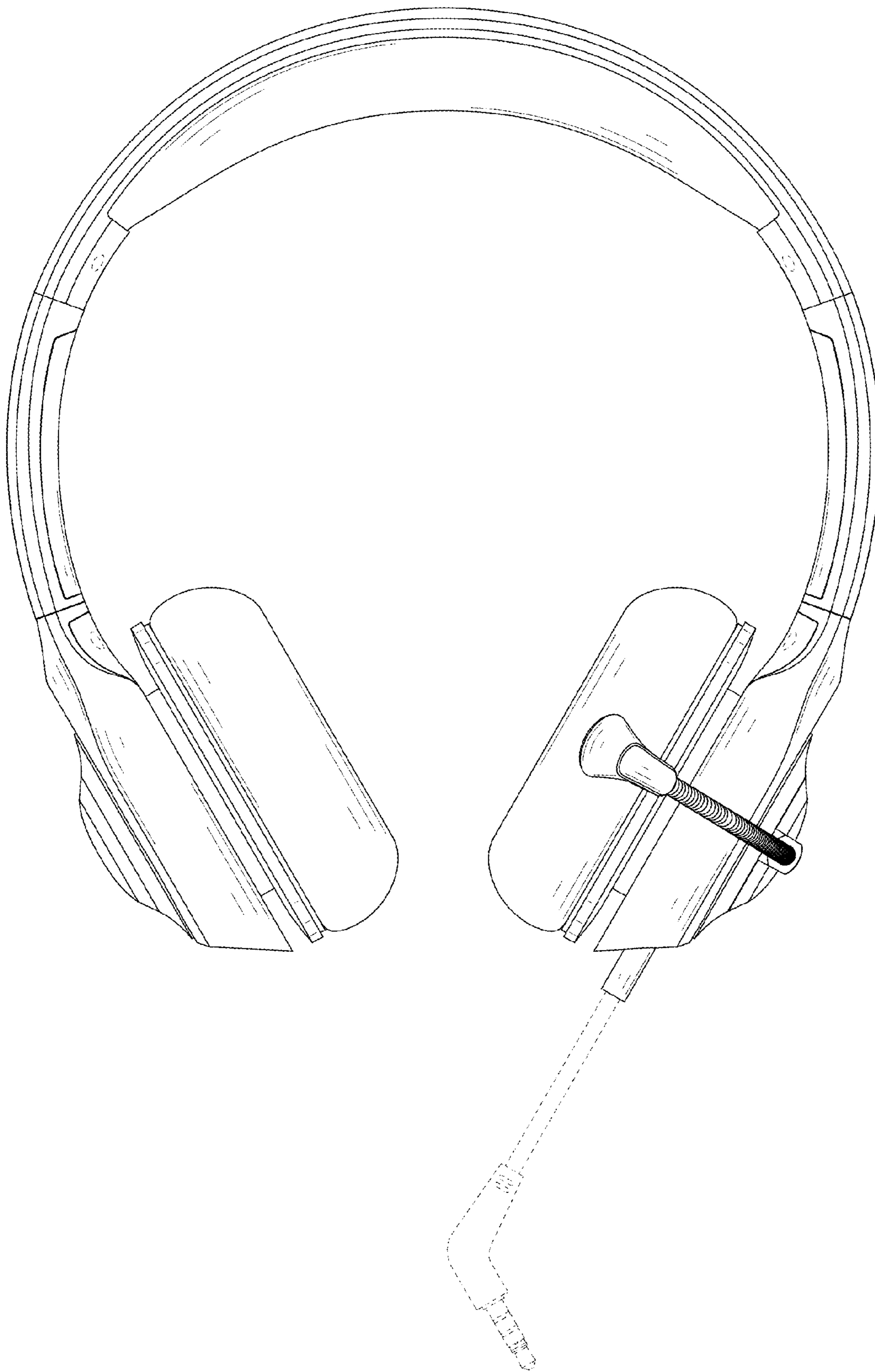


FIG. 3

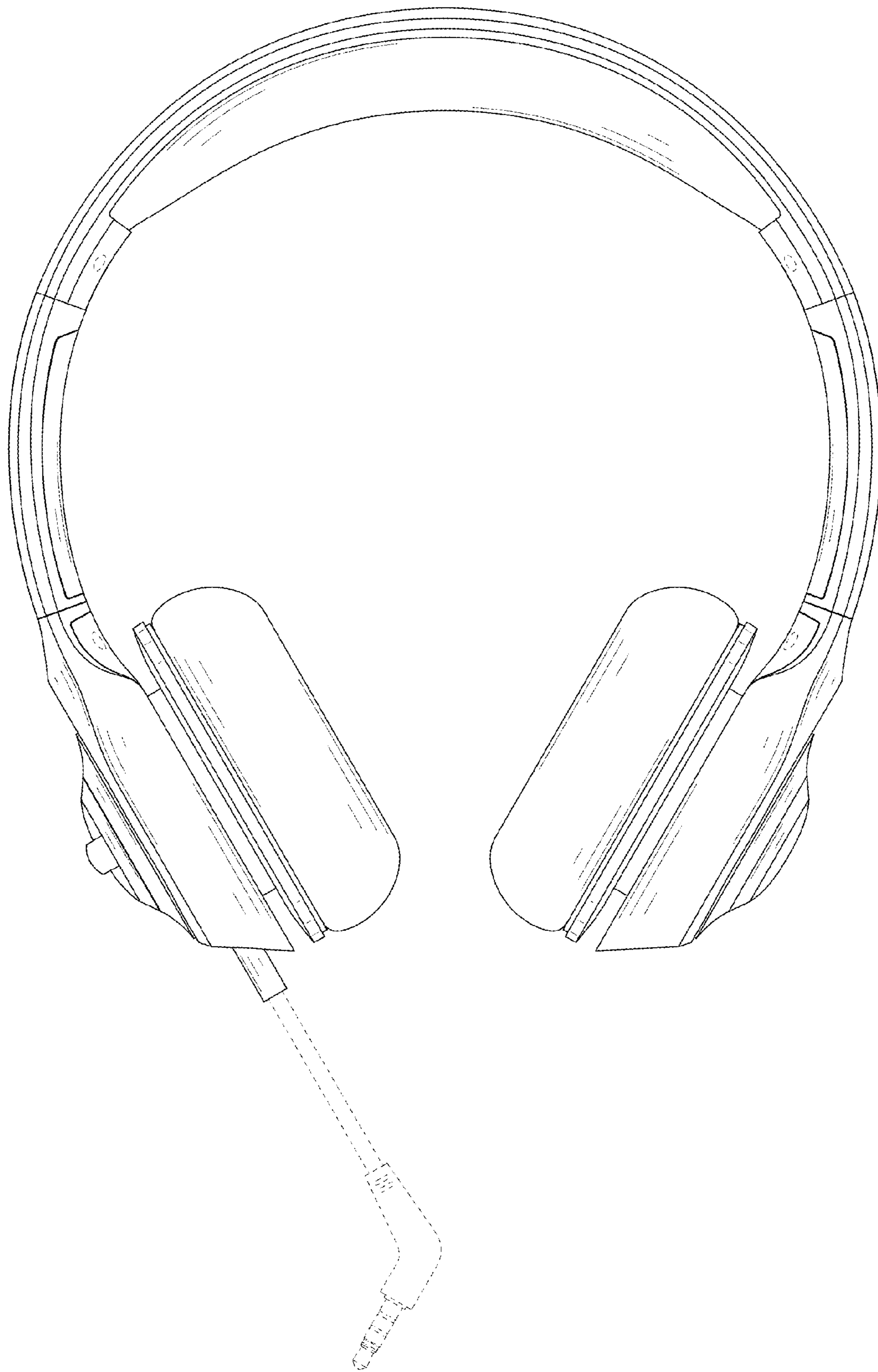


FIG. 4

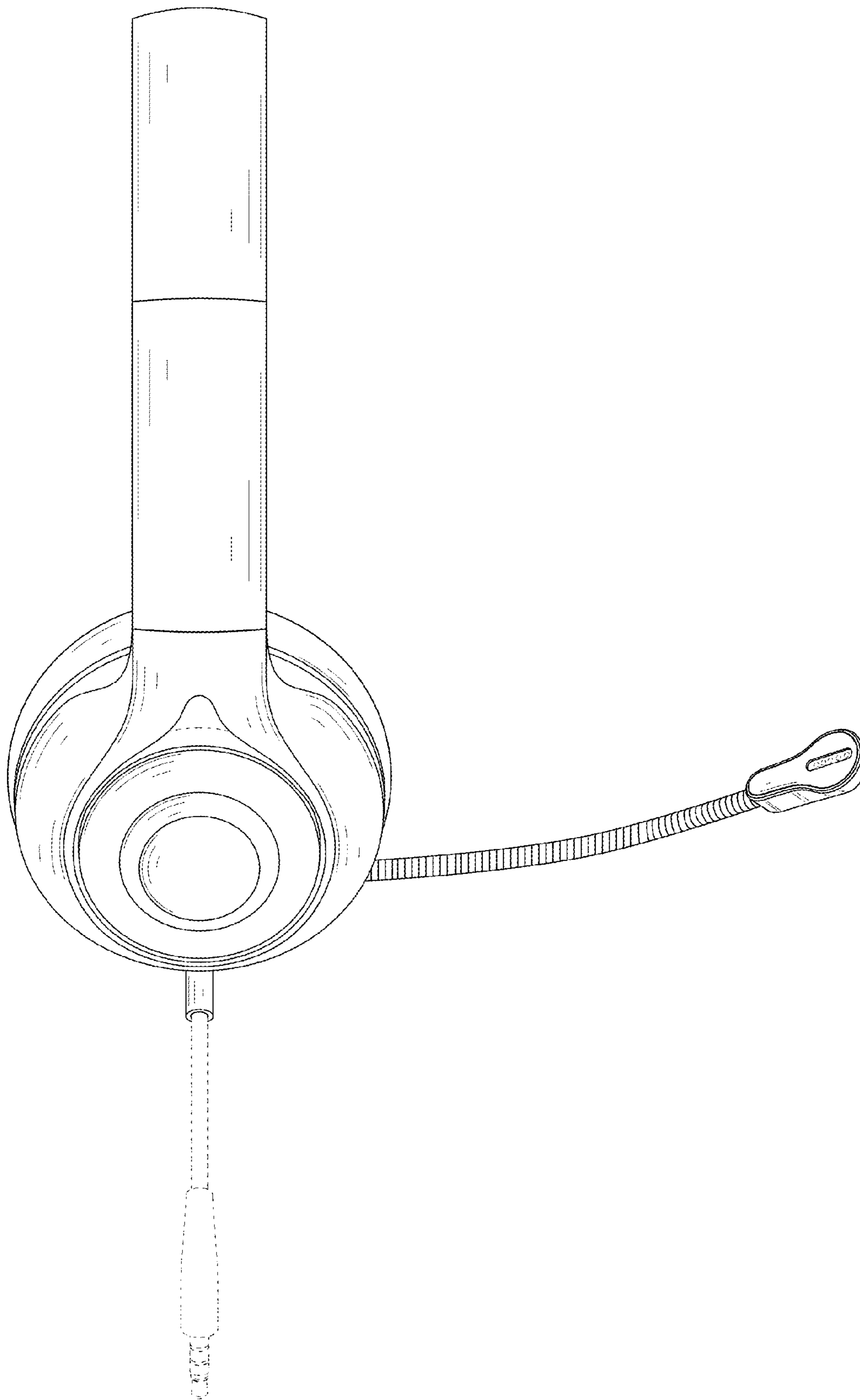


FIG. 5

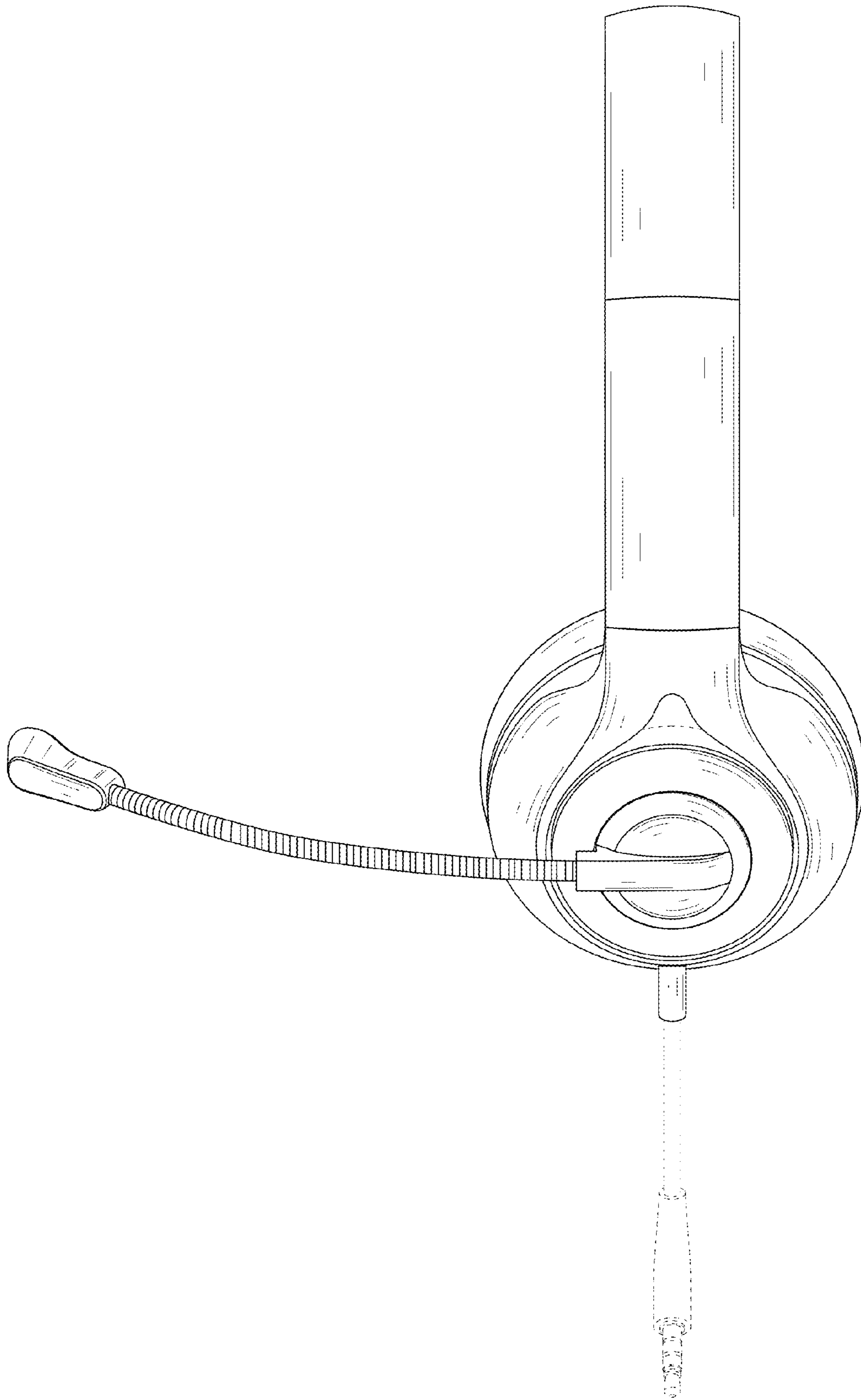


FIG. 6

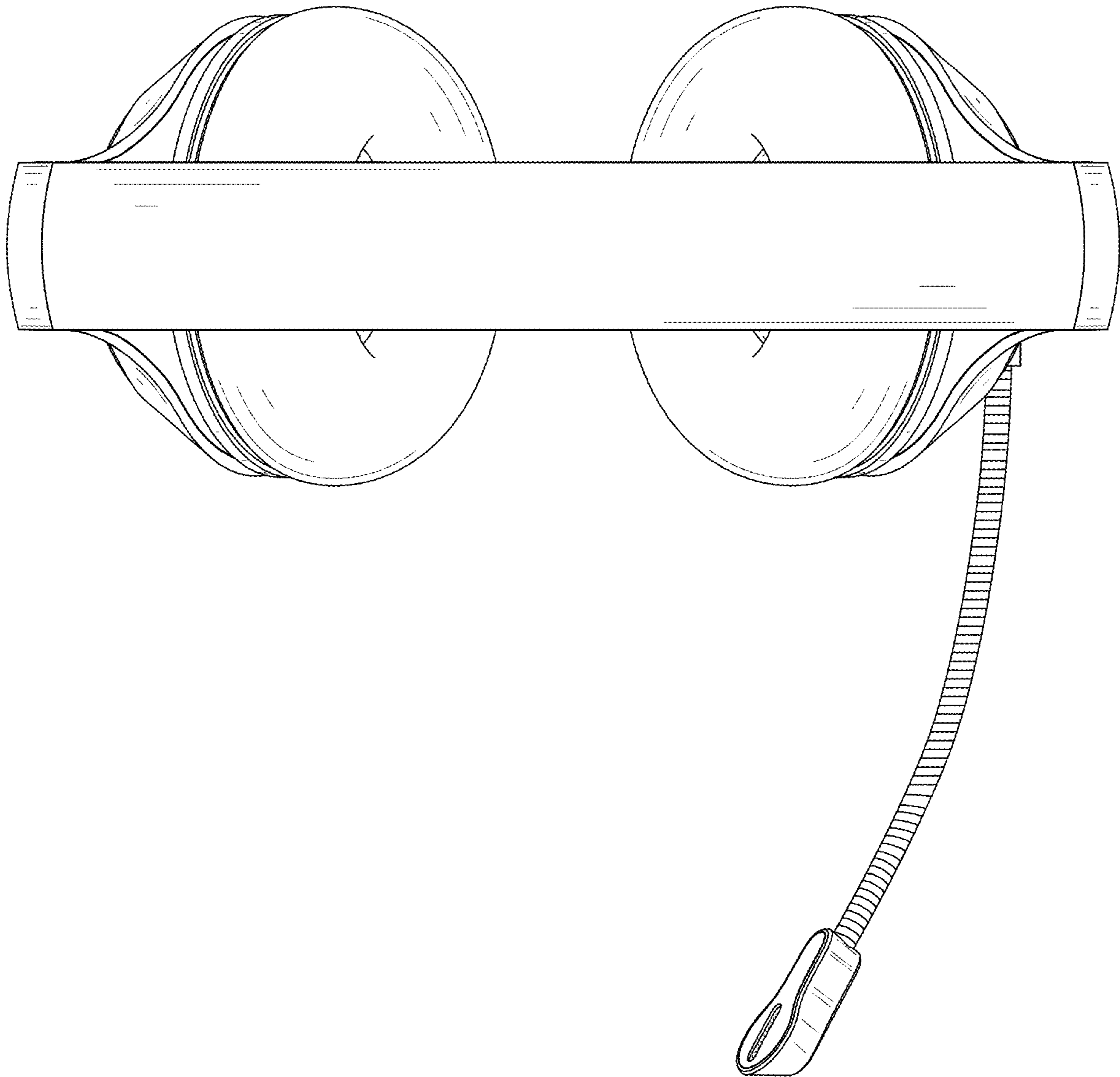


FIG. 7

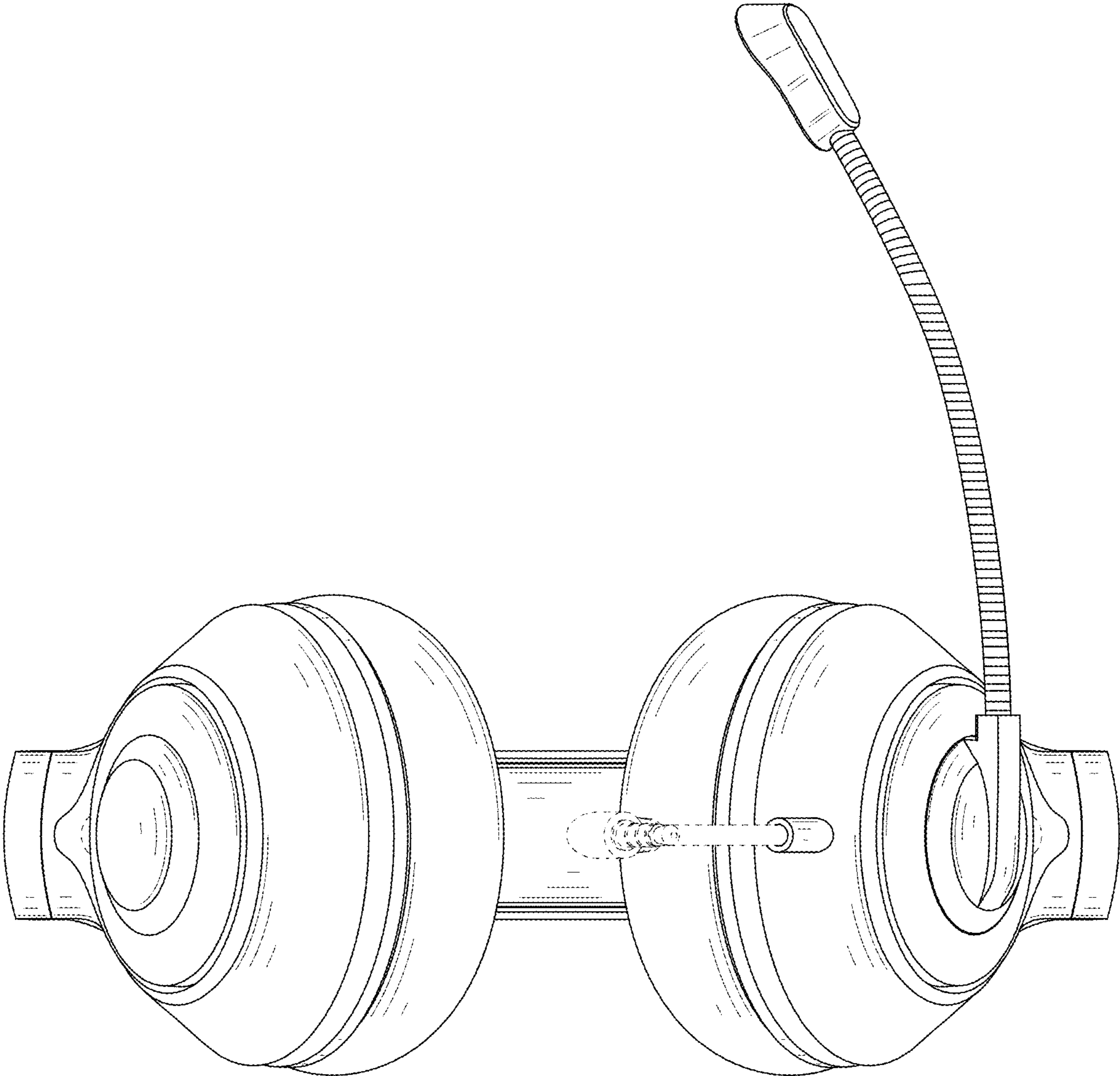


FIG. 8