



US00D915347S

(12) **United States Design Patent**
Duan

(10) **Patent No.:** **US D915,347 S**

(45) **Date of Patent:** **** Apr. 6, 2021**

(54) **WIRELESS HEADSET**

(71) Applicant: **ShenZhen Heng Shang Pin Technology co., LTD**, Shenzhen (CN)

(72) Inventor: **LinZhi Duan**, Shenzhen (CN)

(73) Assignee: **SHENZHEN HENG SHANG PIN TECHNOLOGY CO., LTD**, Shenzhen (CN)

(**) Term: **15 Years**

(21) Appl. No.: **29/749,296**

(22) Filed: **Sep. 3, 2020**

(51) **LOC (13) Cl.** **14-01**

(52) **U.S. Cl.**
USPC **D14/206**

(58) **Field of Classification Search**
USPC D14/206, 205, 223, 225; D24/174;
128/864, 865, 866; 381/380, 381;
455/90.3, 575.1, 569.1
CPC H04R 1/10; H04R 25/00; H04R 19/04;
H04R 1/105; H04R 1/1066; H04R
1/1016; H04R 5/033; H04R 5/0335;
H04R 1/1083

See application file for complete search history.

(56) **References Cited**

U.S. PATENT DOCUMENTS

D504,419 S *	4/2005	Bey	D14/223
D504,673 S *	5/2005	Dyer	D14/205
D504,887 S *	5/2005	Skulley	D14/223
D505,413 S *	5/2005	Skulley	D14/223
D506,258 S *	6/2005	Nielsen	D24/174
D506,462 S *	6/2005	Han	D14/205
D511,156 S *	11/2005	Eroma	D14/205
D512,984 S *	12/2005	Ham	D14/205
D515,074 S *	2/2006	Jacobson	D14/225
D517,528 S *	3/2006	Skulley	D14/206
D518,473 S *	4/2006	Gwee	D14/205

D518,479 S *	4/2006	Skulley	D14/225
D519,498 S *	4/2006	Ham	D14/225
D520,496 S *	5/2006	Gwee	D14/205
D521,492 S *	5/2006	Ham	D14/205
D530,819 S *	10/2006	Jurkiewicz	D24/174
D535,980 S *	1/2007	Bentley	D14/225
D537,815 S *	3/2007	Bentley	D14/206
D539,266 S *	3/2007	Bentley	D14/205
D539,789 S *	4/2007	Rausch	D14/225
D540,778 S *	4/2007	Thompson	D14/206
D541,787 S *	5/2007	Ma	D14/205
D557,255 S *	12/2007	Shintani	D14/206
D572,234 S *	7/2008	Reda	D14/205

(Continued)

FOREIGN PATENT DOCUMENTS

CN	305515933 S	12/2019
CN	305743640 *	4/2020

(Continued)

Primary Examiner — Paula Allen Greene

(57) **CLAIM**

The ornamental design for a wireless headset, as shown and described.

DESCRIPTION

FIG. 1 is a first perspective view of a wireless headset showing the claimed design in accordance with the present disclosure;

FIG. 2 is a second perspective view thereof;

FIG. 3 is a front elevational view thereof;

FIG. 4 is a rear elevational view thereof;

FIG. 5 is a left side elevational view thereof;

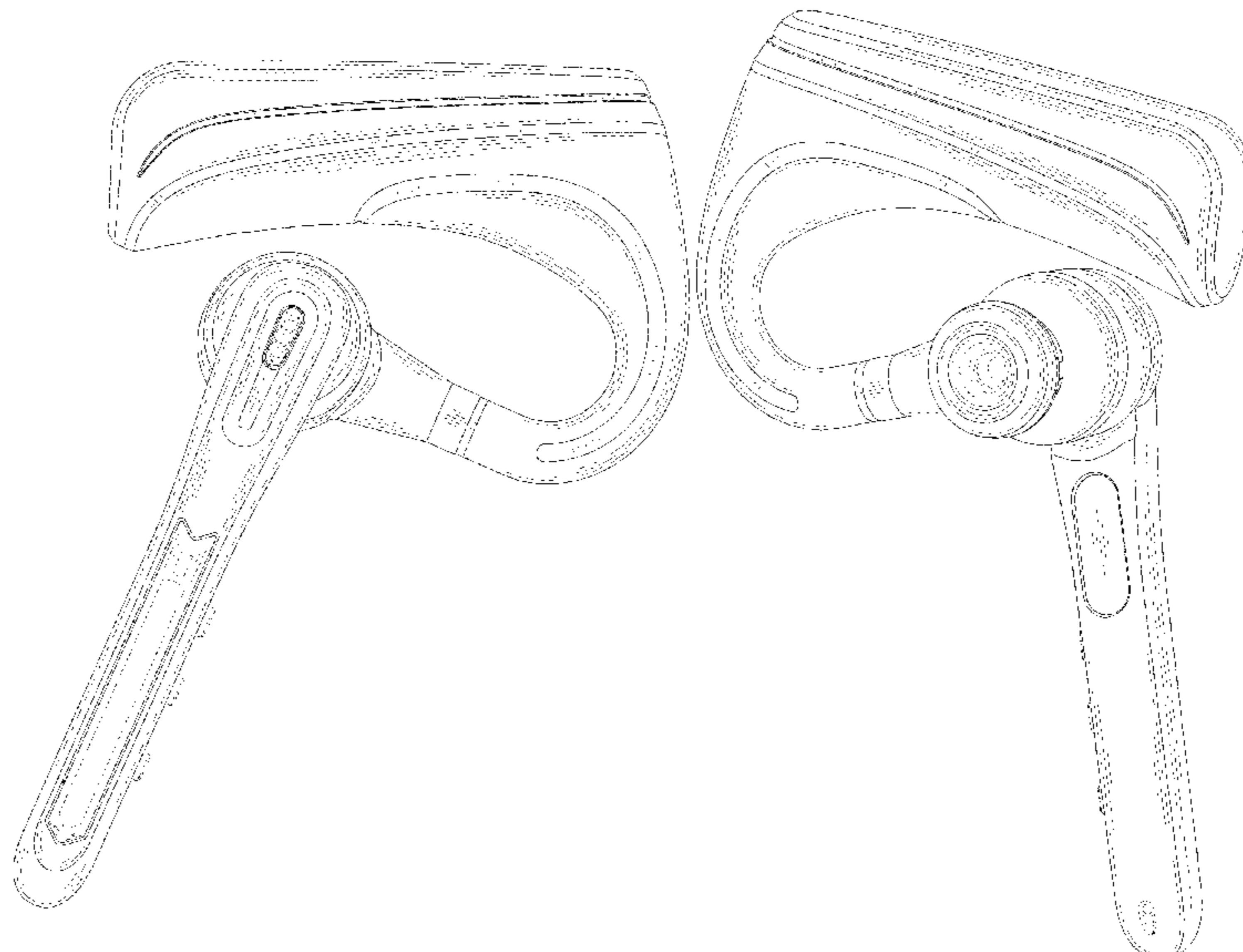
FIG. 6 is a right side elevational view thereof;

FIG. 7 is a top plan view thereof; and,

FIG. 8 is a bottom plan view thereof.

The broken lines in the Figures are for the purpose of illustrating portions of the article that form no part of the claimed design.

1 Claim, 8 Drawing Sheets



(56)

References Cited

U.S. PATENT DOCUMENTS

D581,900 S * 12/2008 Caddes D14/206
 D584,719 S * 1/2009 Brennwald D14/205
 D603,372 S * 11/2009 Bentley D14/206
 D612,834 S * 3/2010 Yang D14/206
 D612,835 S * 3/2010 Yang D14/206
 D612,840 S * 3/2010 Yang D14/223
 D647,877 S * 11/2011 Son D14/206
 D653,649 S * 2/2012 Yang D14/206
 D657,347 S * 4/2012 Chung D14/206
 D667,121 S * 9/2012 Mori D24/174
 D670,267 S * 11/2012 Maddern D14/206
 D671,915 S * 12/2012 Birger D14/206
 8,374,370 B2 * 2/2013 Zhang A61B 5/121
 381/330
 D681,002 S * 4/2013 Ham D14/205
 D681,003 S * 4/2013 Ham D14/206
 D681,014 S * 4/2013 Ham D14/223
 D705,936 S * 5/2014 Lockenwitz D24/174
 D717,771 S * 11/2014 Harper D14/223
 D750,043 S * 2/2016 Birger D14/206
 9,307,311 B2 * 4/2016 Tran H04R 1/105
 D784,290 S * 4/2017 Paterson D14/205
 D784,291 S * 4/2017 Paterson D14/206
 D797,076 S * 9/2017 Zhang D14/206
 D800,692 S * 10/2017 Tan D14/206

D804,035 S * 11/2017 Gabathuler D24/174
 D812,040 S * 3/2018 Yan D14/206
 D830,338 S * 10/2018 Yan D14/206
 D836,599 S * 12/2018 Duan D14/206
 D838,688 S * 1/2019 Liu D14/206
 D851,065 S * 6/2019 Yan D14/206
 D855,036 S * 7/2019 Yan D14/206
 D863,254 S * 10/2019 Hu D14/206
 D870,697 S 12/2019 Wei
 D879,068 S * 3/2020 Yan D14/206
 D883,951 S * 5/2020 Yan D14/206
 D886,798 S * 6/2020 Yan D14/206
 D900,784 S * 11/2020 Yan D14/206
 D903,634 S * 12/2020 Lu D14/206
 D909,344 S * 2/2021 Abe D14/223
 2005/0259812 A1 * 11/2005 Chen H04M 1/05
 379/431
 2013/0195310 A1 * 8/2013 Lin H04R 1/105
 381/380
 2016/0181718 A1 * 6/2016 Kann H01R 13/447
 381/91

FOREIGN PATENT DOCUMENTS

CN 306011307 S 8/2020
 CN 306011354 S 8/2020
 CN 306018827 S 8/2020

* cited by examiner

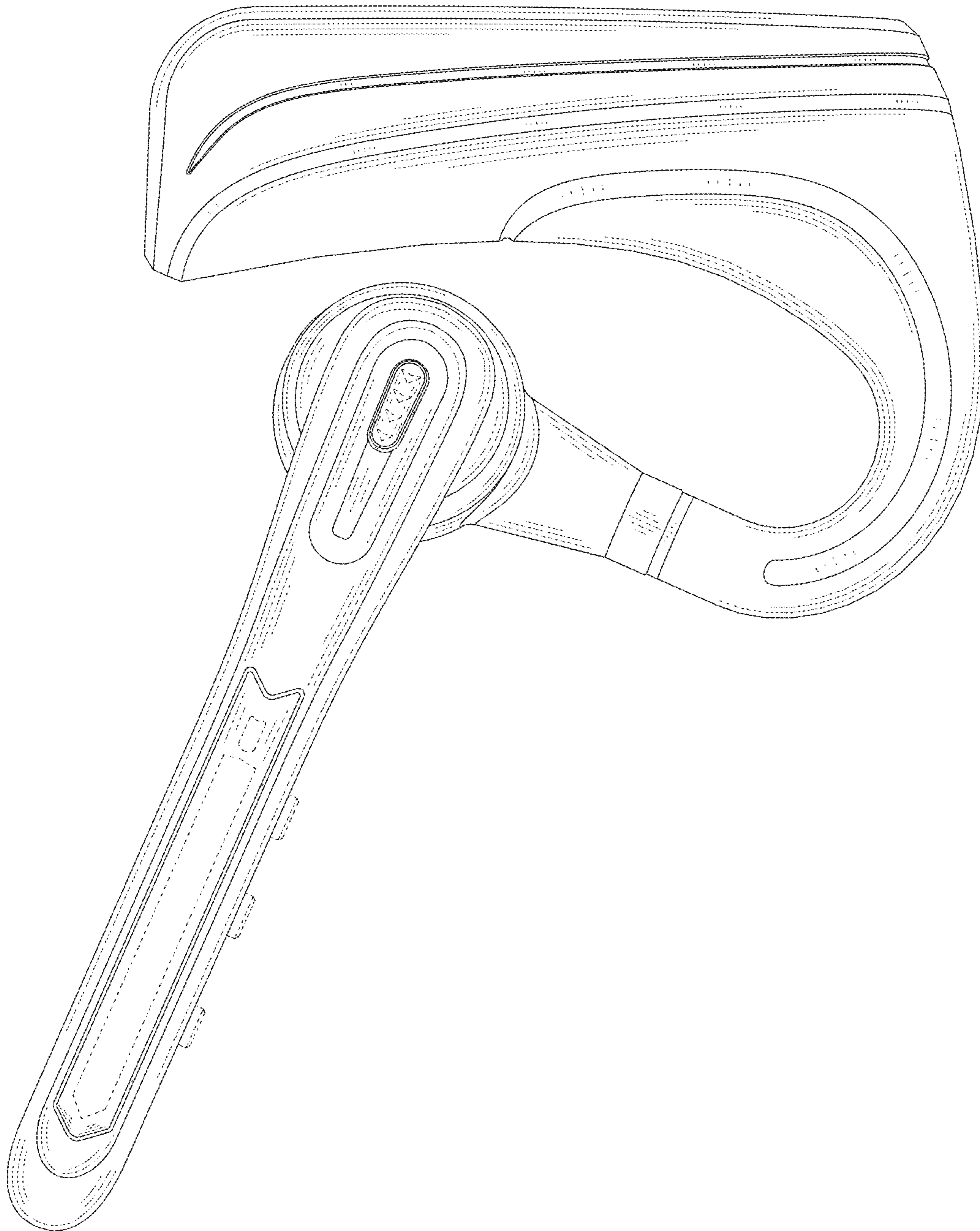


FIG. 1

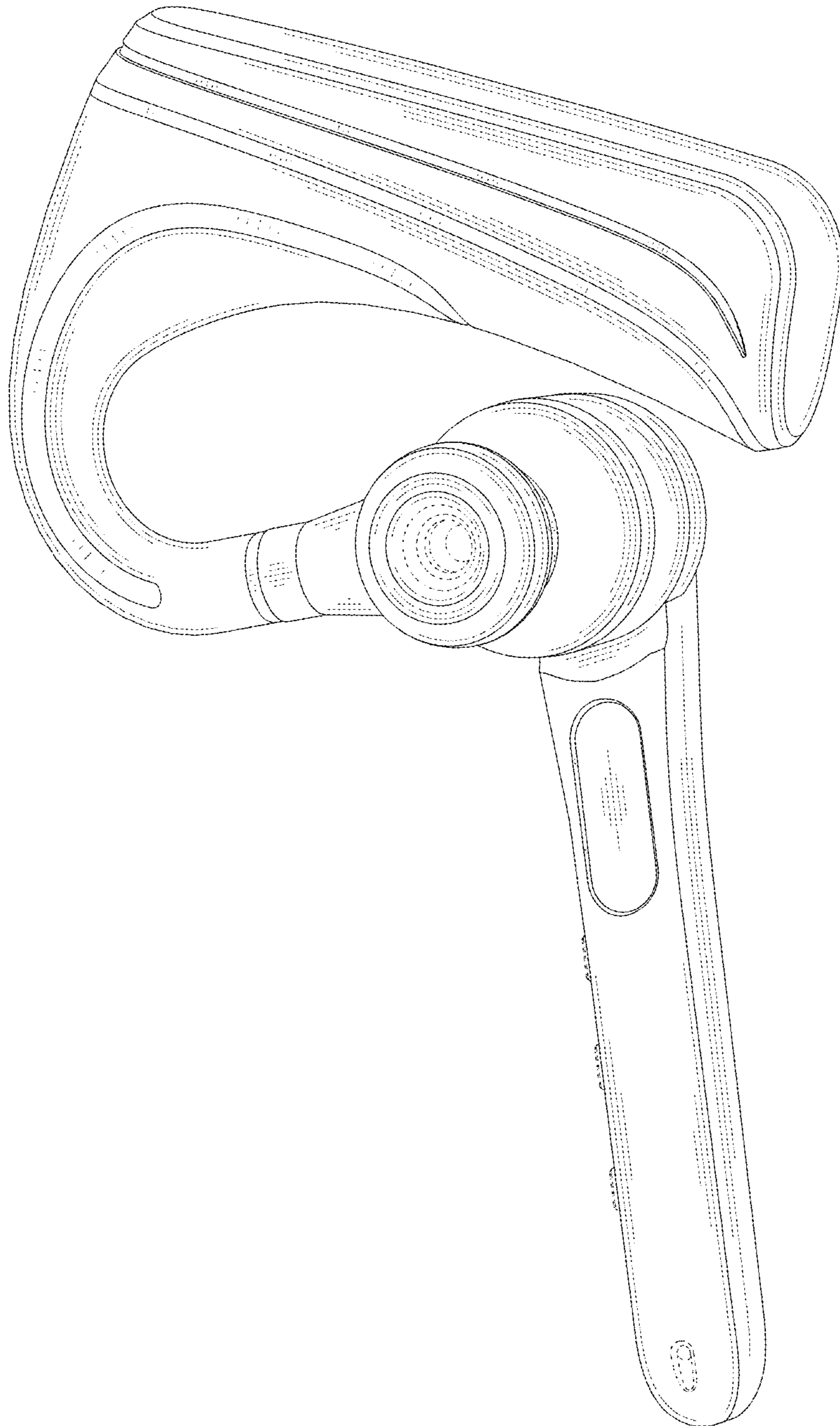


FIG. 2

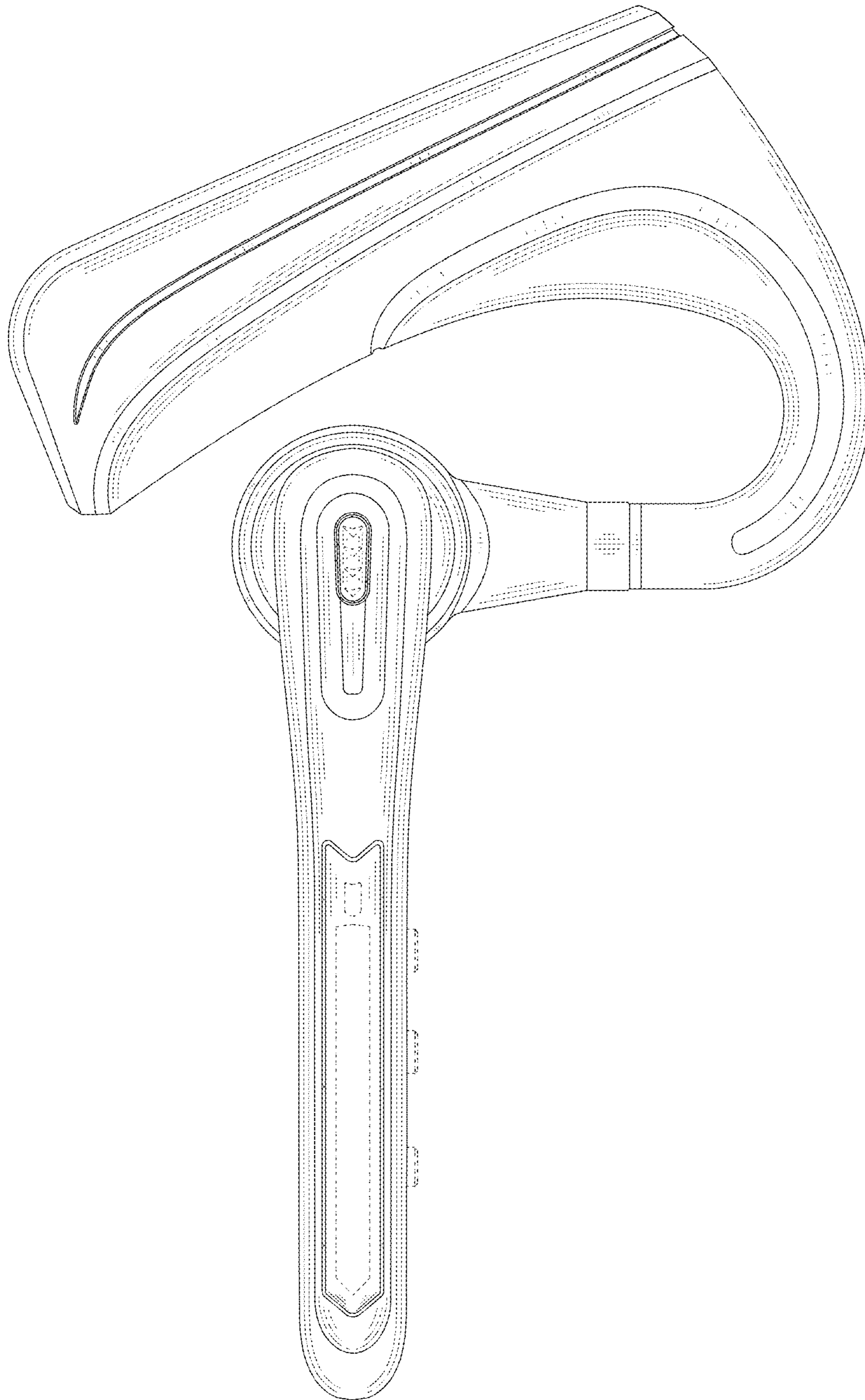


FIG. 3

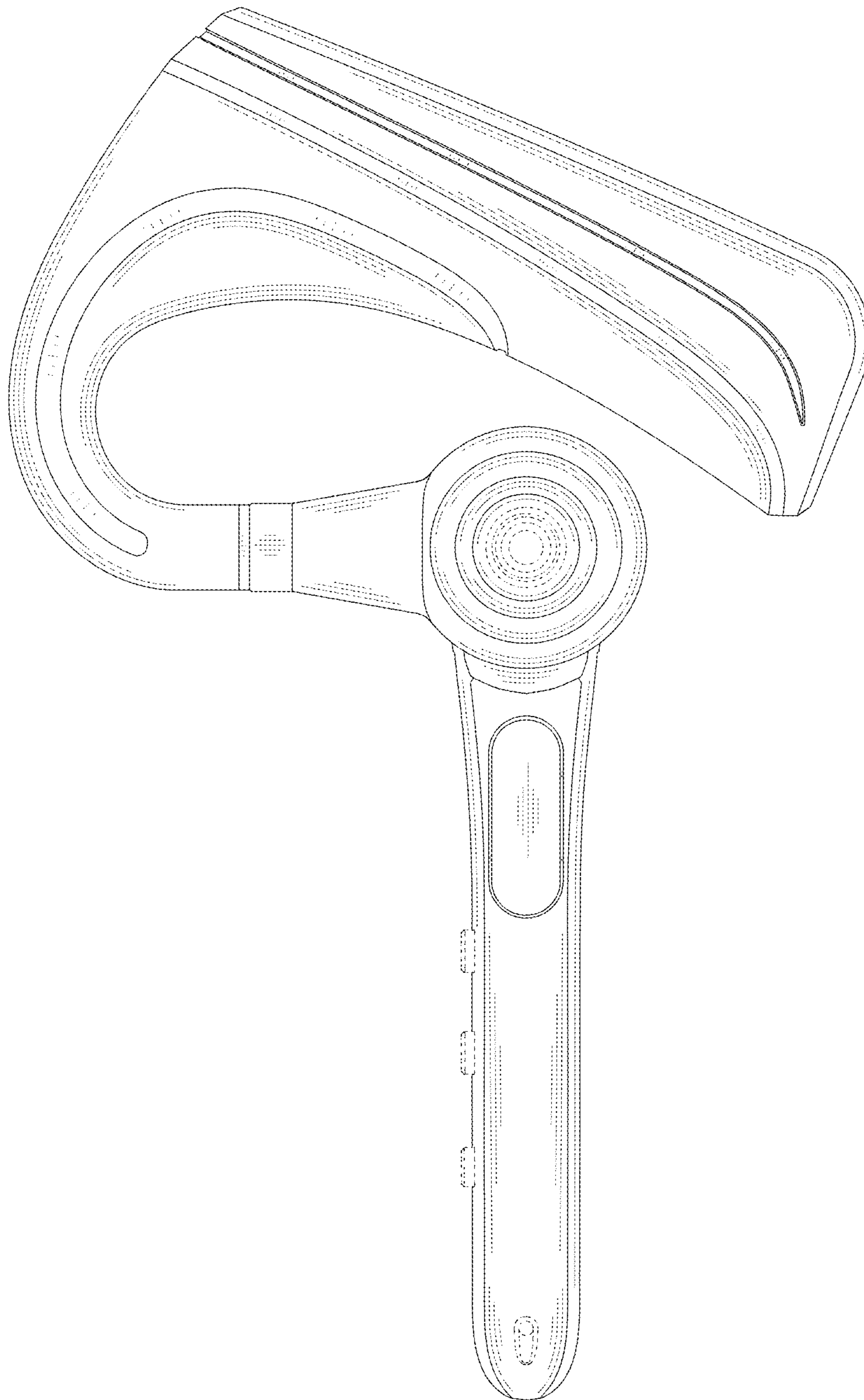


FIG. 4

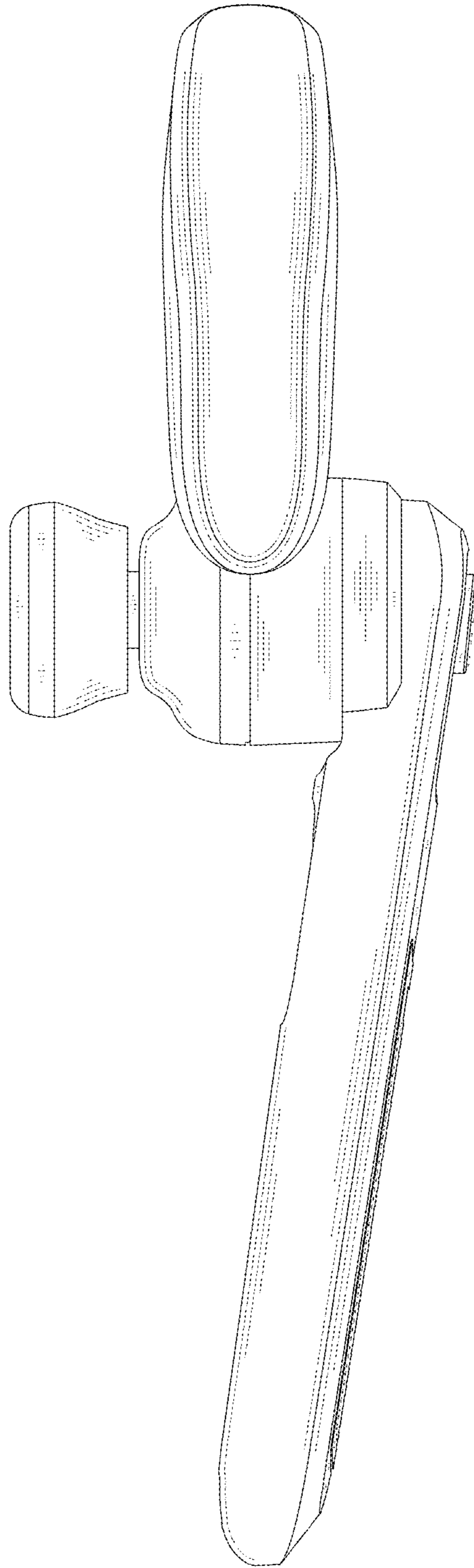


FIG. 5

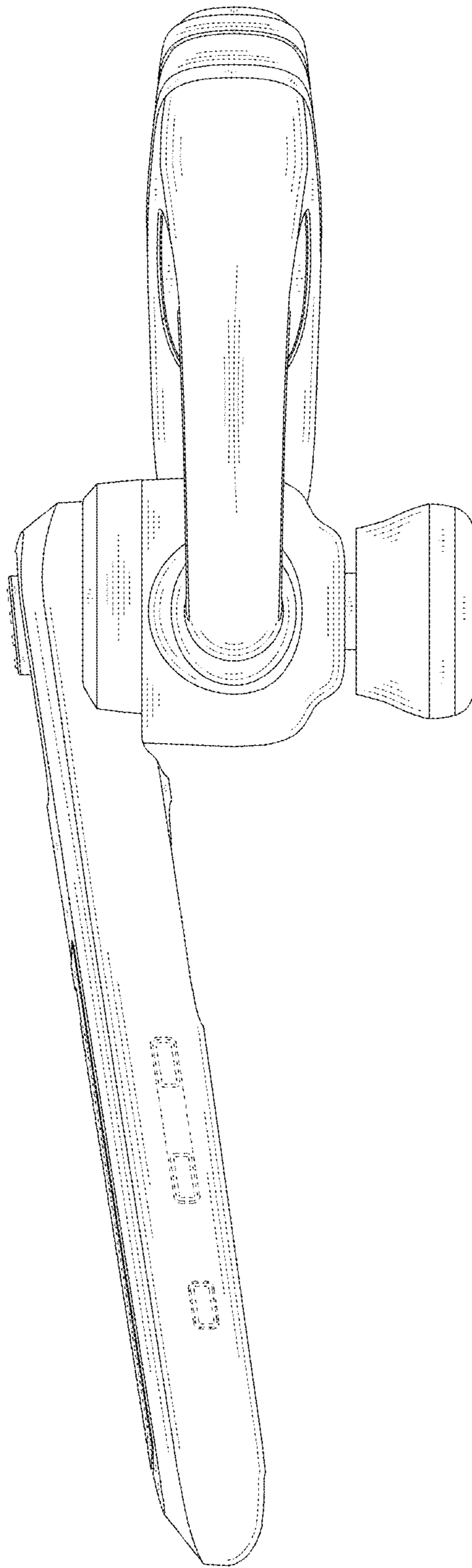


FIG. 6

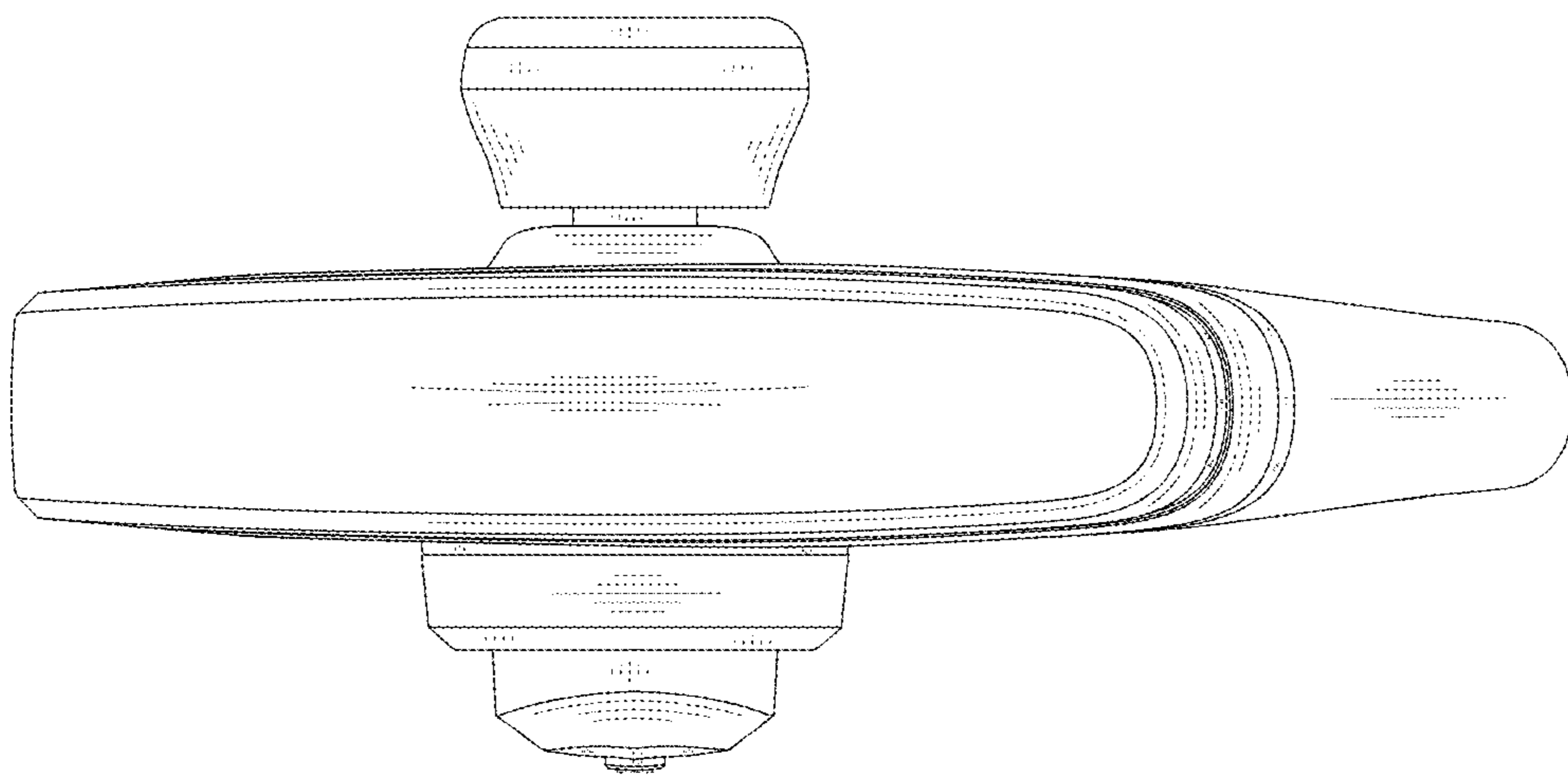


FIG. 7

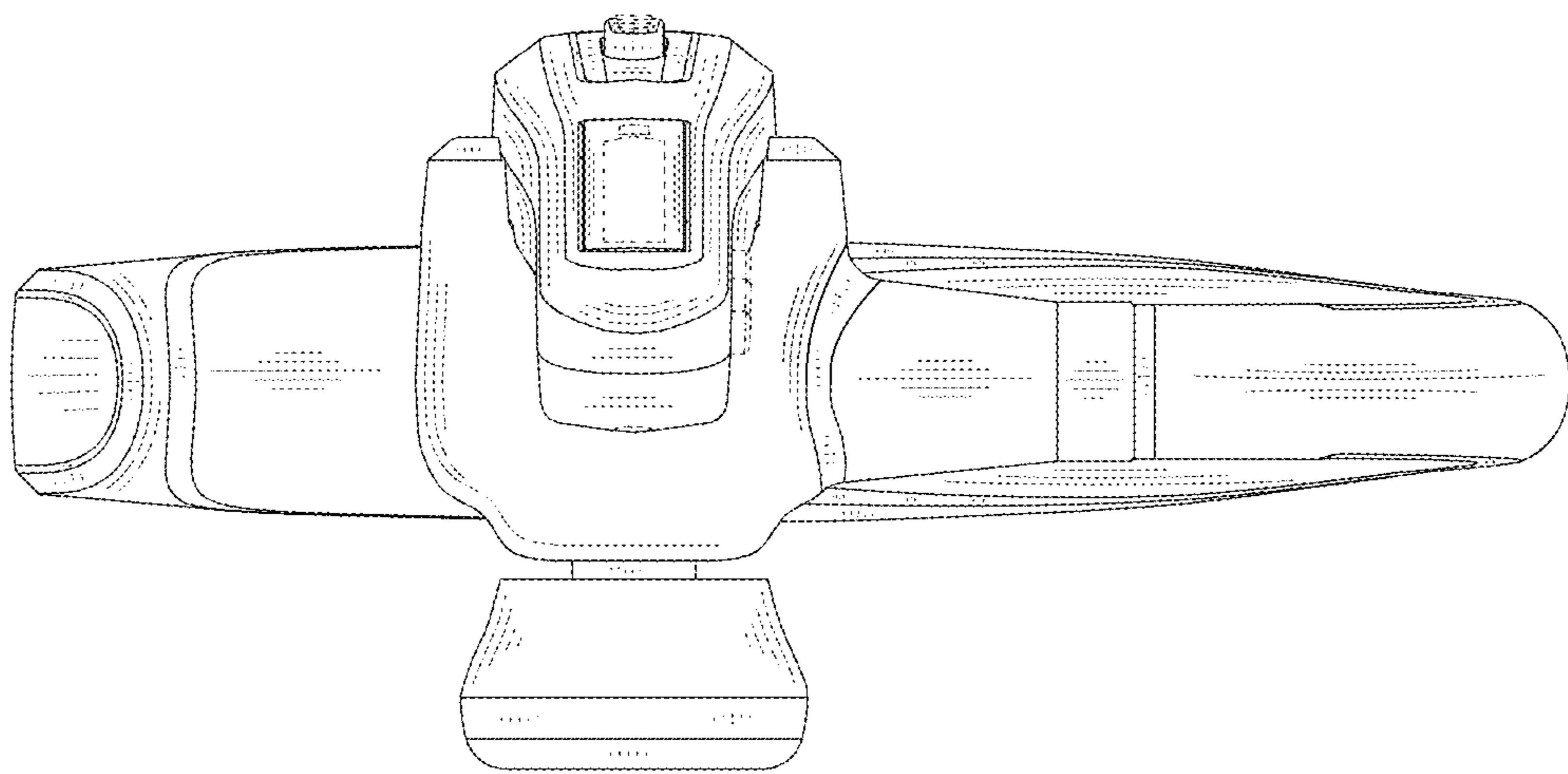


FIG. 8