



US00D915346S

(12) **United States Design Patent** (10) **Patent No.:** **US D915,346 S**  
**Lorsold et al.** (45) **Date of Patent:** **\*\* Apr. 6, 2021**

(54) **HEADPHONE**  
(71) Applicant: **Harman International Industries, Incorporated**, Northridge, CA (US)  
(72) Inventors: **Axel Lorsold**, Shenzhen (CN); **Chenxi Lu**, Shenzhen (CN); **Anna Grace Meyer**, Hannibal, MO (US)  
(73) Assignee: **Harman International Industries, Incorporated**, Northridge, CA (US)  
(\*\*) Term: **15 Years**  
(21) Appl. No.: **29/703,425**  
(22) Filed: **Aug. 27, 2019**  
(51) **LOC (13) Cl.** ..... **14-01**  
(52) **U.S. Cl.**  
USPC ..... **D14/206**; D14/226  
(58) **Field of Classification Search**  
USPC ..... D14/205, 188, 192, 206, 226; D29/112;  
2/209; 381/380, 381, 374; 455/90.3,  
455/575.1, 569.1  
CPC .... H04R 25/00; H04R 1/1016; H04R 1/1066;  
H04R 5/033; H04R 5/0335; H04R  
1/1091; H04R 19/04; H04R 19/06  
See application file for complete search history.

D691,582 S \* 10/2013 Nguyen ..... H04R 1/1008  
D14/205  
D693,793 S \* 11/2013 Kelly ..... D14/205  
D696,644 S \* 12/2013 Sejpka  
D701,193 S \* 3/2014 Kelly ..... D14/205  
D706,241 S \* 6/2014 Szymanski ..... H04R 1/1066  
D14/205  
D707,654 S \* 6/2014 Nguyen ..... H04R 1/1041  
D14/205

(Continued)

**FOREIGN PATENT DOCUMENTS**

EM 007699319-0005 \* 2/2020  
EM 007892187-0001 \* 5/2020

**OTHER PUBLICATIONS**

JBL Synchros S500 Spec Sheet dated 2013.

(Continued)

*Primary Examiner* — Paula Allen Greene  
(74) *Attorney, Agent, or Firm* — Plumsea Law Group, LLC

(57) **CLAIM**

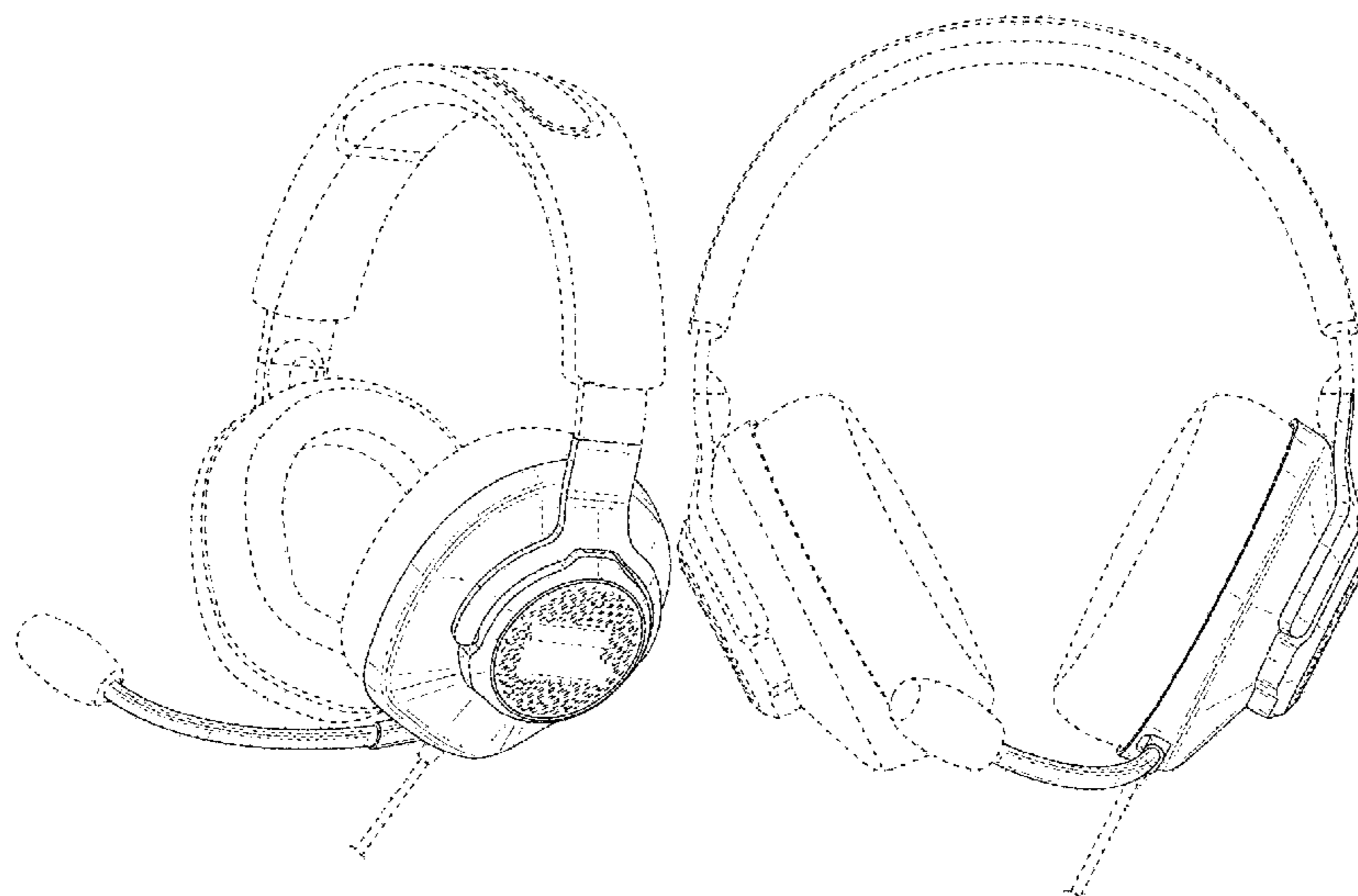
The ornamental design for a headphone, as shown and described.

**DESCRIPTION**

FIG. 1 is a perspective view of a headphone showing the new design;  
FIG. 2 is a front elevational view thereof;  
FIG. 3 is a rear elevational view thereof;  
FIG. 4 is a side elevational view thereof;  
FIG. 5 is an opposite side elevational view thereof;  
FIG. 6 is a top view thereof; and,  
FIG. 7 is a bottom view thereof.  
The evenly spaced broken lines illustrate portions of the headphone that form no part of the claimed design. The dash-dot broken lines define boundaries of the claimed design and form no part thereof.

**1 Claim, 7 Drawing Sheets**

(56) **References Cited**  
**U.S. PATENT DOCUMENTS**  
3,862,378 A \* 1/1975 Norris ..... H04R 1/105  
379/430  
4,926,961 A \* 5/1990 Gattey ..... G10K 11/22  
181/18  
5,369,857 A \* 12/1994 Sacherman ..... H04R 5/0335  
29/594  
5,446,788 A \* 8/1995 Lucey ..... H04M 1/05  
379/430  
6,560,346 B2 \* 5/2003 Ohta ..... H04R 1/083  
381/370  
D691,113 S \* 10/2013 Gougherty ..... D14/206



(56)

References Cited

U.S. PATENT DOCUMENTS

D719,136 S \* 12/2014 Schaal ..... D14/206  
 D721,052 S \* 1/2015 Carr ..... D14/205  
 D723,508 S 3/2015 Garland et al.  
 D723,509 S 3/2015 Garland et al.  
 D726,146 S 4/2015 Binder et al.  
 D727,283 S \* 4/2015 Dryden ..... D14/205  
 9,002,025 B2 \* 4/2015 Marten ..... H04R 1/1041  
 381/74  
 D729,196 S \* 5/2015 Liu ..... D14/205  
 D732,000 S \* 6/2015 Brunner ..... D14/205  
 D733,092 S \* 6/2015 Gan ..... D14/205  
 D734,297 S \* 7/2015 Sasaki ..... D14/205  
 D741,289 S \* 10/2015 Schaal ..... D14/205  
 D746,790 S \* 1/2016 Strasberg ..... D14/205  
 D757,680 S \* 5/2016 Kelly ..... D14/205  
 D758,337 S \* 6/2016 Szymanski ..... D14/205  
 D765,055 S \* 8/2016 Hsieh ..... D14/205  
 D769,842 S 10/2016 Rouffiat  
 D787,470 S \* 5/2017 Kelly ..... D14/205  
 D805,055 S \* 12/2017 Kelly ..... D14/205  
 D811,364 S \* 2/2018 Park ..... D14/205  
 D811,365 S \* 2/2018 Czaniecki ..... D14/205  
 D815,614 S \* 4/2018 Tzeng ..... D14/205  
 D817,303 S \* 5/2018 Tragatschnig ..... D14/205  
 10,028,049 B2 \* 7/2018 Inoue ..... H04R 5/0335  
 D826,208 S 8/2018 Czaniecki  
 D826,210 S \* 8/2018 Chong ..... D14/205  
 D828,326 S \* 9/2018 Ye ..... D14/205  
 D834,260 S \* 11/2018 Garcia Mansilla ..... D29/112  
 D840,370 S \* 2/2019 Kelly ..... D14/205  
 D851,627 S \* 6/2019 ter Laag ..... D14/205  
 D852,777 S \* 7/2019 Park ..... D14/206  
 D854,513 S \* 7/2019 Miyake ..... D14/205  
 D869,437 S \* 12/2019 Hu ..... D14/205

D871,367 S \* 12/2019 Zhijun ..... D14/205  
 D879,066 S \* 3/2020 Chen ..... D14/205  
 D881,842 S \* 4/2020 Hu ..... D14/205  
 D887,391 S \* 6/2020 Chong ..... D14/205  
 D891,399 S \* 7/2020 Chen ..... D14/206  
 D893,454 S \* 8/2020 Li ..... D14/206  
 D896,203 S \* 9/2020 Tong ..... D14/206  
 2001/0036291 A1 \* 11/2001 Pallai ..... H04R 1/342  
 381/382  
 2004/0105566 A1 \* 6/2004 Matsunaga ..... A42B 1/245  
 381/381  
 2005/0008184 A1 \* 1/2005 Ito ..... H04M 1/05  
 381/370  
 2012/0020491 A1 \* 1/2012 Dory ..... H04R 1/1041  
 381/74  
 2012/0131616 A1 \* 5/2012 Kunkel ..... H04N 9/8205  
 725/43  
 2019/0394554 A1 \* 12/2019 Lee ..... H01M 2/0275

OTHER PUBLICATIONS

Design U.S. Appl. No. 29/631,227, filed Dec. 28, 2017.  
 Design U.S. Appl. No. 29/661,343, filed Aug. 27, 2018.  
 Design U.S. Appl. No. 29/661,346, filed Aug. 27, 2018.  
 Design U.S. Appl. No. 29/661,389, filed Aug. 27, 2018.  
 Dseign U.S. Appl. No. 29/675,542, filed Jan. 3, 2019.  
 Design U.S. Appl. No. 29/688,598, filed Apr. 23, 2019.  
 Design U.S. Appl. No. 29/703,423, filed Aug. 27, 2019.  
 Design U.S. Appl. No. 29/703,432, filed Aug. 27, 2019.  
 Design U.S. Appl. No. 29/703,437, filed Aug. 27, 2019.  
 Office Action dated Jul. 15, 2020 in Design U.S. Appl. No. 29/688,598.  
 Office Action dated Sep. 29, 2020 in Design U.S. Appl. No. 29/703,432.

\* cited by examiner



**FIG. 1**

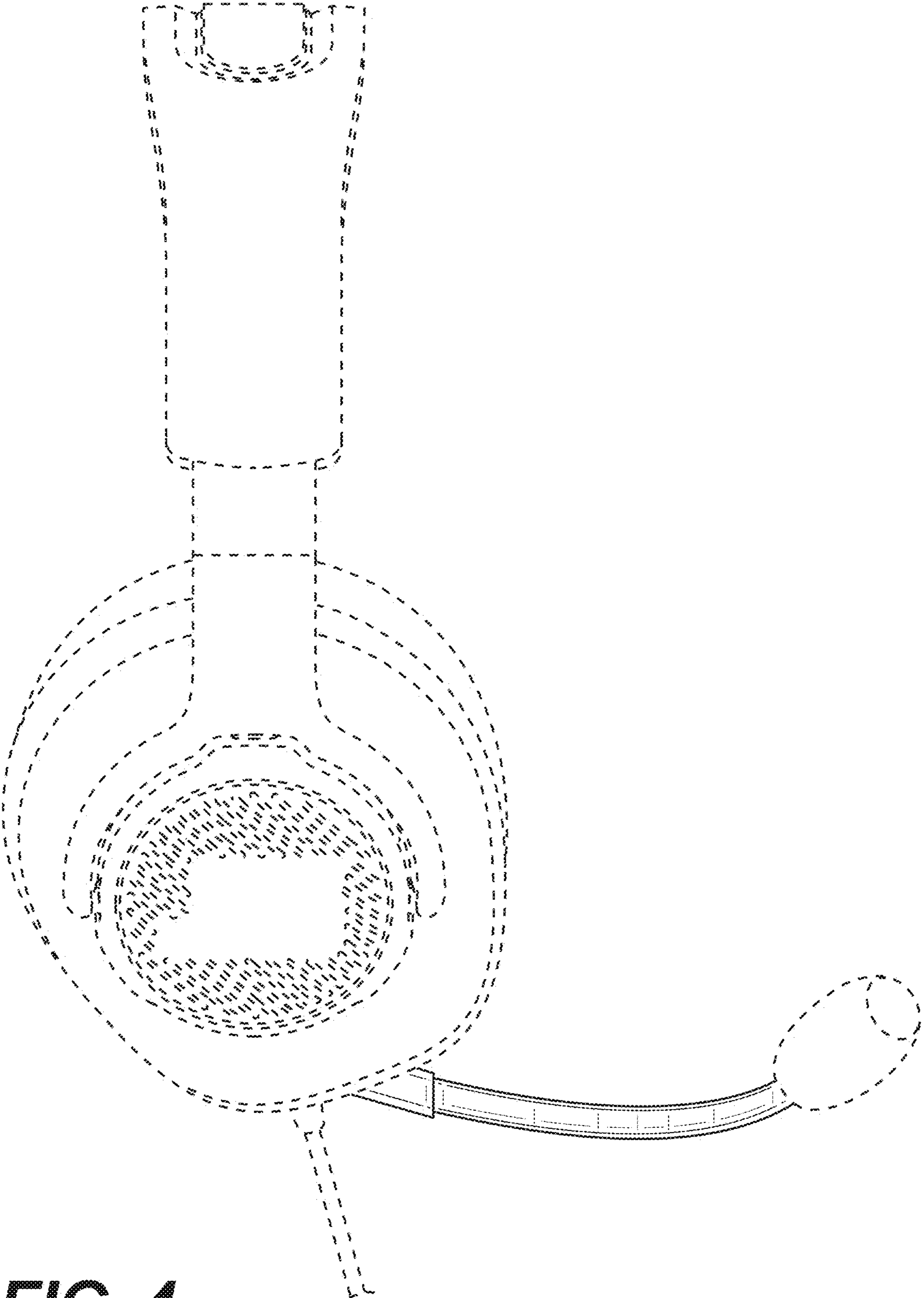




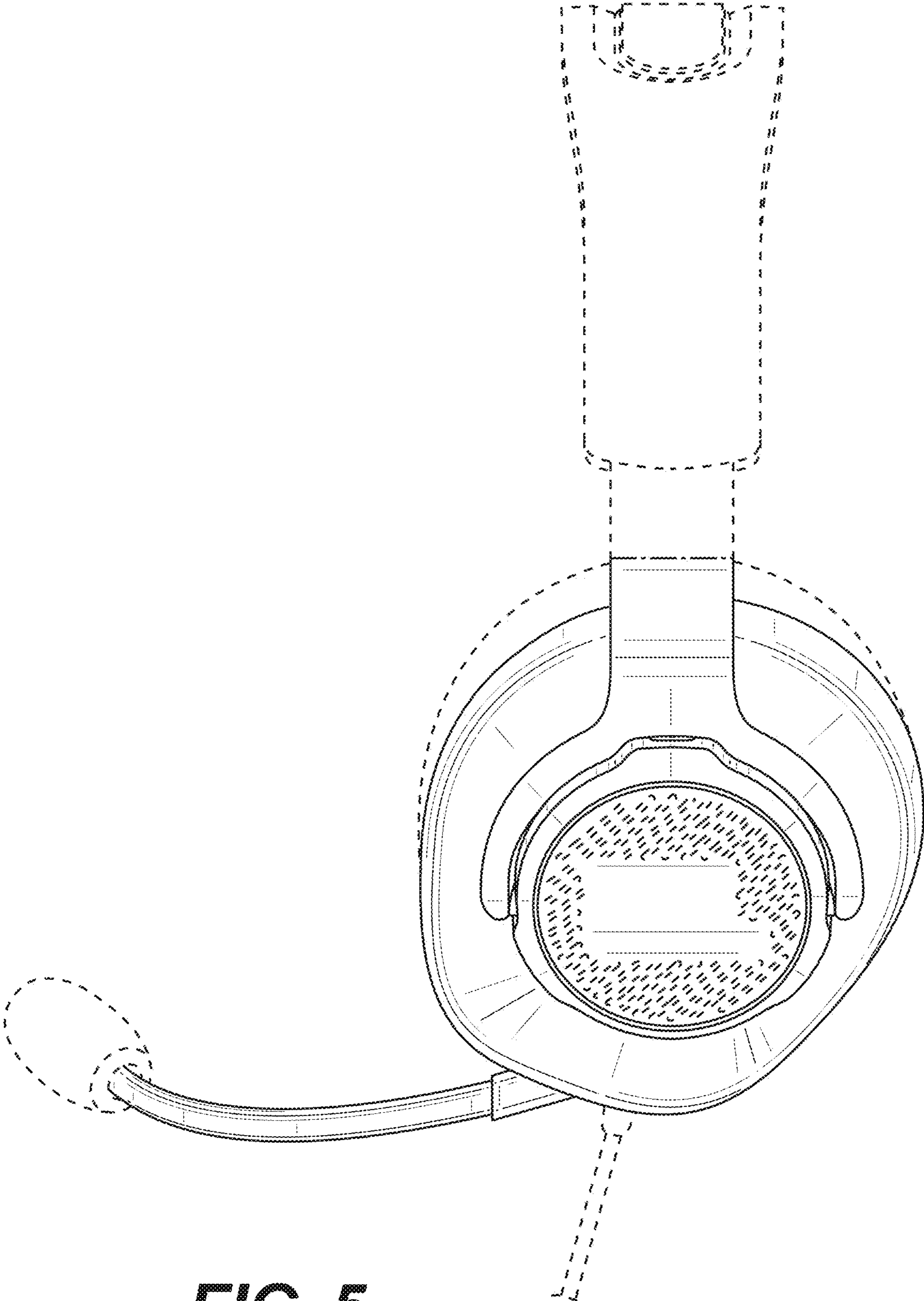
**FIG. 2**



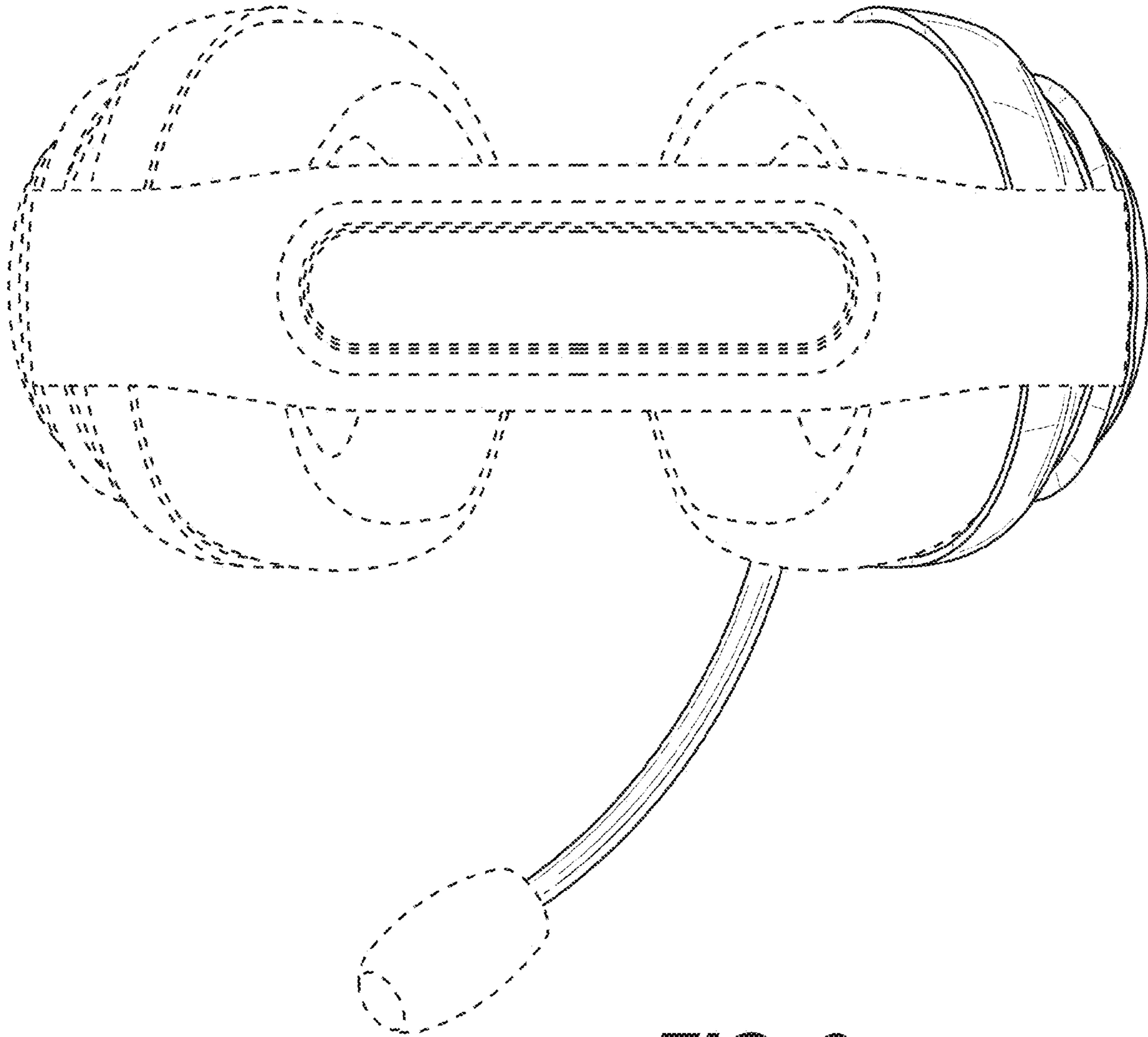
**FIG. 3**



**FIG. 4**

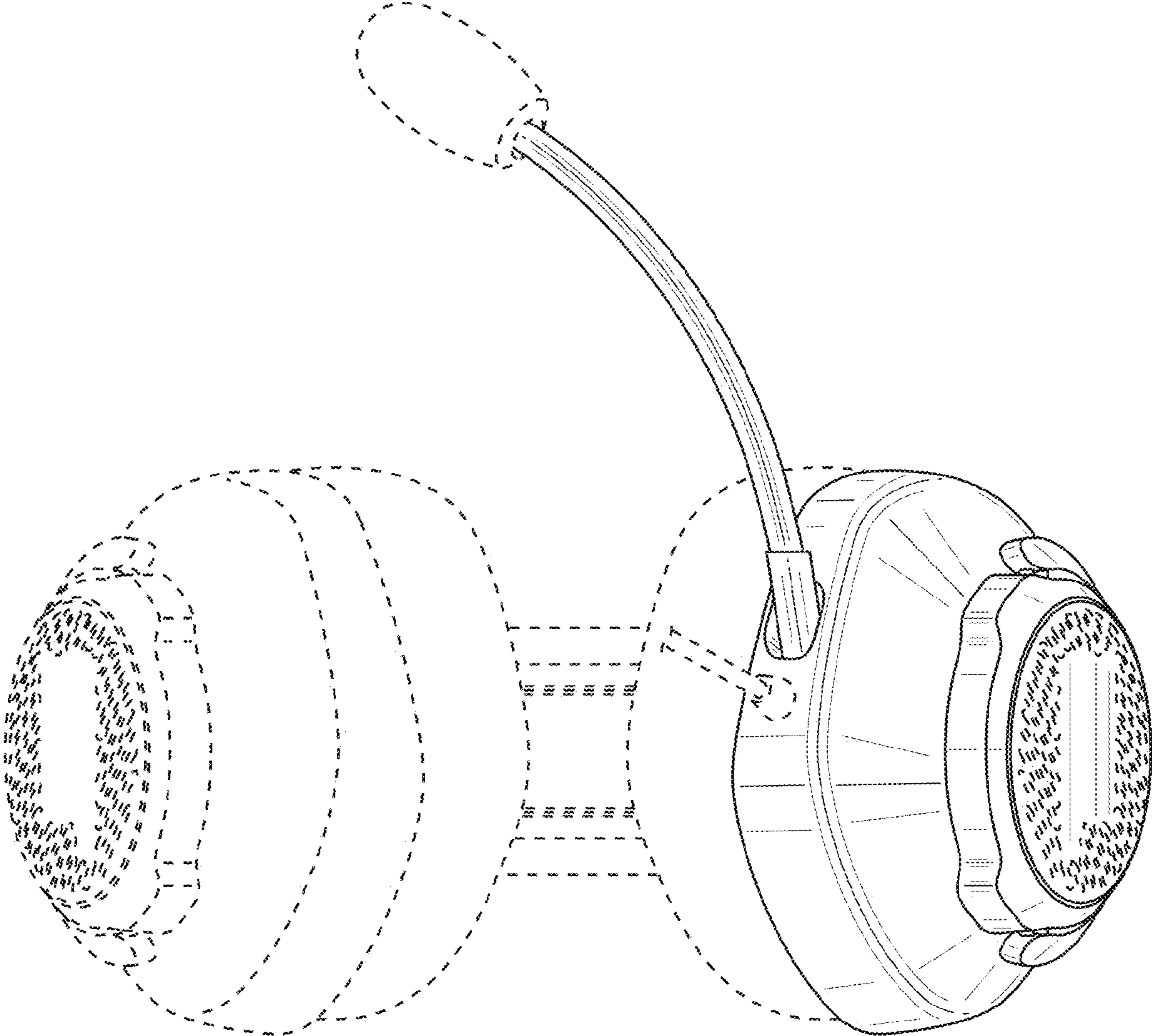


**FIG. 5**



**FIG. 6**





**FIG. 7**