



US00D915345S

(12) **United States Design Patent**
Zhang et al.

(10) **Patent No.:** **US D915,345 S**
(45) **Date of Patent:** **** Apr. 6, 2021**

(54) **BONE CONDUCTION HEADPHONE**

(71) Applicant: **SHENZHEN VOXTECH CO., LTD.**,
Guangdong (CN)

(72) Inventors: **Haofeng Zhang**, Shenzhen (CN);
Hengnan Dai, Shenzhen (CN);
Mingmin Wang, Shenzhen (CN); **Lei**
Zhong, Shenzhen (CN); **Xin Yu**,
Shenzhen (CN)

(73) Assignee: **SHENZHEN VOXTECH CO., LTD.**,
Shenzhen (CN)

(**) Term: **15 Years**

(21) Appl. No.: **29/697,261**

(22) Filed: **Jul. 5, 2019**

(30) **Foreign Application Priority Data**

Jan. 5, 2019 (CN) 201930005440.X

(51) **LOC (13) Cl.** **14-01**

(52) **U.S. Cl.**
USPC **D14/205**

(58) **Field of Classification Search**
USPC D14/205, 188, 192, 372, 223; 2/209;
381/380, 381, 151, 183; 455/90.3, 575.1,
455/569.1
CPC H04R 1/1066; H04R 1/1016; H04R 5/033;
H04R 5/0335; H04R 1/10; H04R 25/00;
H04R 1/46; H04R 1/105; H04R 1/1041
See application file for complete search history.

(56) **References Cited**

U.S. PATENT DOCUMENTS

1,042,735 A * 10/1912 Jan B42F 13/02
402/13
D315,561 S * 3/1991 Miller D14/192
D318,669 S * 7/1991 Nakayama D14/205

D337,587 S * 7/1993 Nakayama D14/205
D368,716 S * 4/1996 Shudo D14/205
D371,558 S * 7/1996 Yoshizawa D14/205
D421,014 S * 2/2000 Smith D14/205
D426,880 S * 6/2000 Leight D14/223
D460,752 S * 7/2002 Gerdomb D14/222
D471,176 S * 3/2003 Suzuki D14/205
D502,463 S * 3/2005 Bhakta D14/205
D550,202 S * 9/2007 Meier D14/206
D557,685 S * 12/2007 Lee D14/205
D575,268 S * 8/2008 Christopher D14/205
D579,442 S * 10/2008 Kim D14/205
D604,269 S * 11/2009 Choe D14/205

(Continued)

FOREIGN PATENT DOCUMENTS

JP D1663637 * 6/2020
JP D1663638 * 6/2020
JP D1663716 * 6/2020

Primary Examiner — Paula Allen Greene

(74) *Attorney, Agent, or Firm* — Metis IP LLC

(57) **CLAIM**

The ornamental design for a bone conduction headphone, as shown and described.

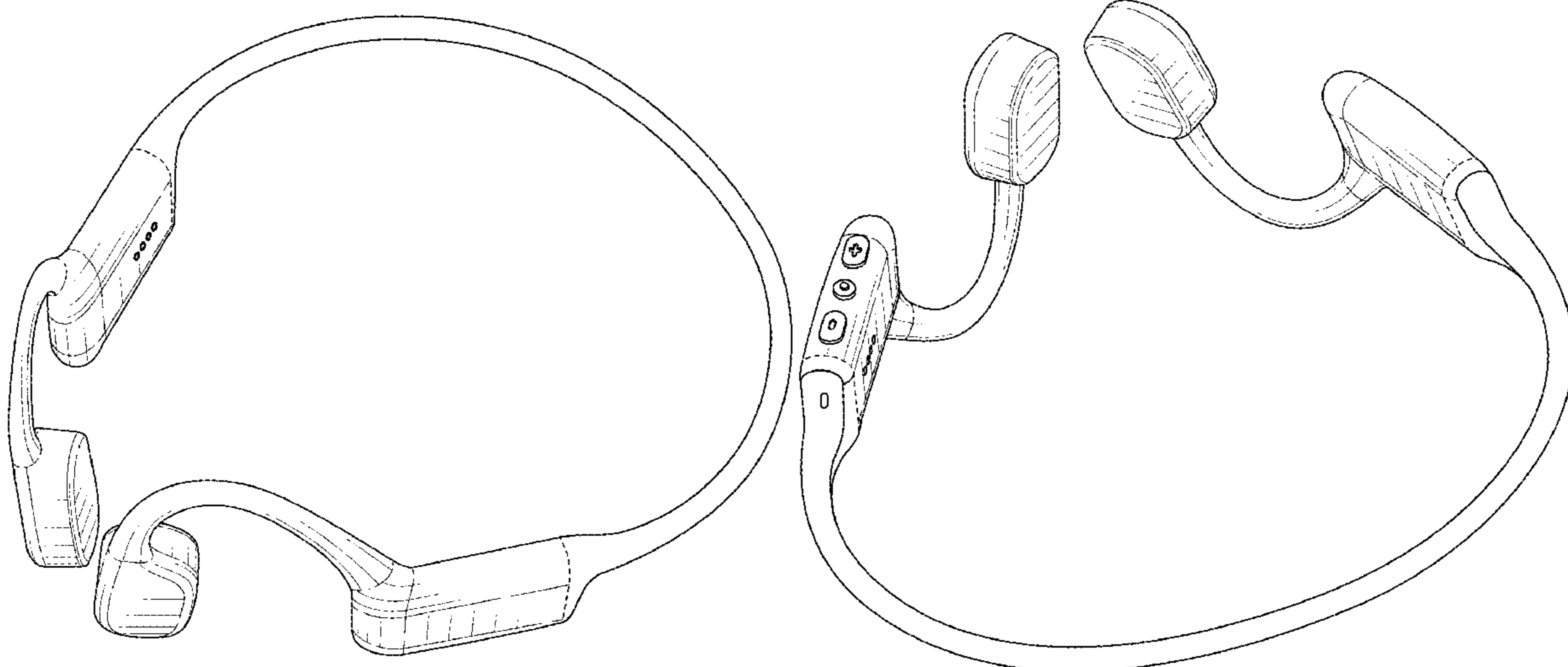
DESCRIPTION

FIG. 1 is a top perspective view of a bone conduction headphone showing our new design;
FIG. 2 is bottom perspective view thereof;
FIG. 3 is a front view thereof;
FIG. 4 is a rear view thereof;
FIG. 5 is a left side view thereof;
FIG. 6 is a right side view thereof;
FIG. 7 is a top view thereof; and,
FIG. 8 is a bottom view thereof.

The shade lines in the Figures show contour and not surface ornamentation.

The short dash broken line in the Figures form no part of the claimed design.

1 Claim, 7 Drawing Sheets



(56)

References Cited

U.S. PATENT DOCUMENTS

D617,308 S *	6/2010	Nousiainen	D14/205	D740,785 S *	10/2015	Chen	D14/205
D623,627 S *	9/2010	Alden	D14/205	D756,958 S *	5/2016	Lee	D14/205
D645,444 S *	9/2011	Quek	D14/205	D756,959 S *	5/2016	Lee	D14/205
D653,234 S *	1/2012	Lee	D14/205	D763,821 S *	8/2016	Leopardi	D14/205
D669,881 S *	10/2012	Clements	D14/205	D766,869 S *	9/2016	Lee	D14/205
D678,858 S *	3/2013	Feng	D14/205	D771,587 S *	11/2016	Iwane	D14/205
8,411,893 B2 *	4/2013	Ito	H04R 1/1066	D790,501 S *	6/2017	Wang	D14/205
				381/381	D790,502 S *	6/2017	Qi	D14/205
8,433,082 B2 *	4/2013	Abolfathi	H04R 17/005	D791,100 S *	7/2017	Chen	D14/205
				381/151	9,788,097 B2 *	10/2017	Bullen	H04R 1/1033
D706,745 S *	6/2014	Nakagawa	H04R 1/1066	D810,719 S *	2/2018	Nagamine	D14/205
				D14/205	9,949,014 B2	4/2018	Cramer et al.		
D707,199 S *	6/2014	Cepress	H04R 1/10	D823,279 S	7/2018	Chen et al.		
				D14/205	D829,190 S	9/2018	Bullen et al.		
D716,759 S *	11/2014	Ha	D14/205	D851,060 S *	6/2019	Lu	D14/205
D717,765 S *	11/2014	Rausch	D14/205	D851,623 S *	6/2019	Zhang	D14/205
D721,673 S *	1/2015	Park	D14/205	D875,710 S	2/2020	Bailey et al.		
D722,999 S *	2/2015	Ishikura	D14/205	D895,571 S	9/2020	Li et al.		
					2015/0319526 A1	11/2015	Kunimoto et al.		
					2017/0223445 A1 *	8/2017	Bullen	G06F 3/165
					2019/0075389 A1	3/2019	Jan		

* cited by examiner

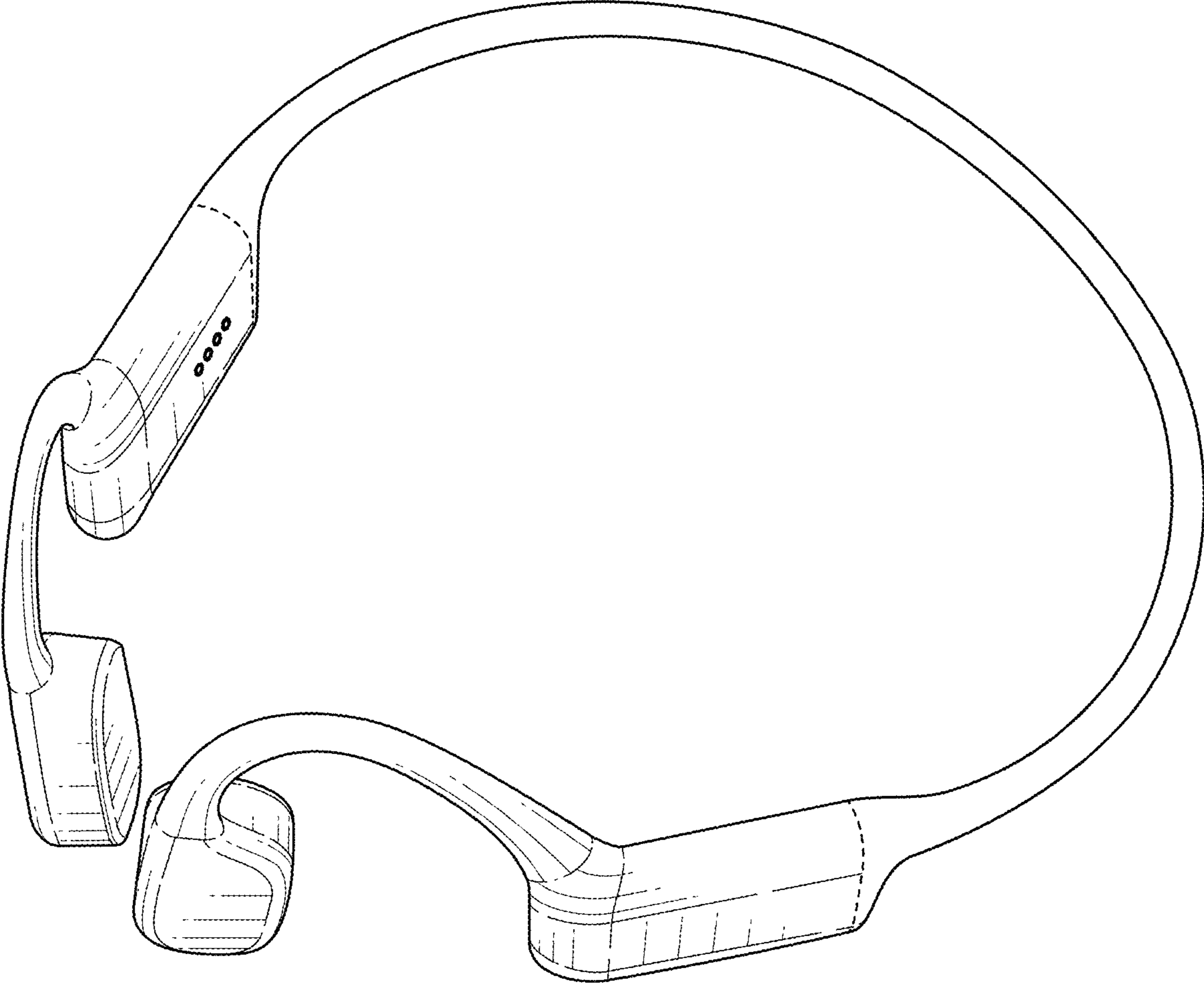


FIG. 1

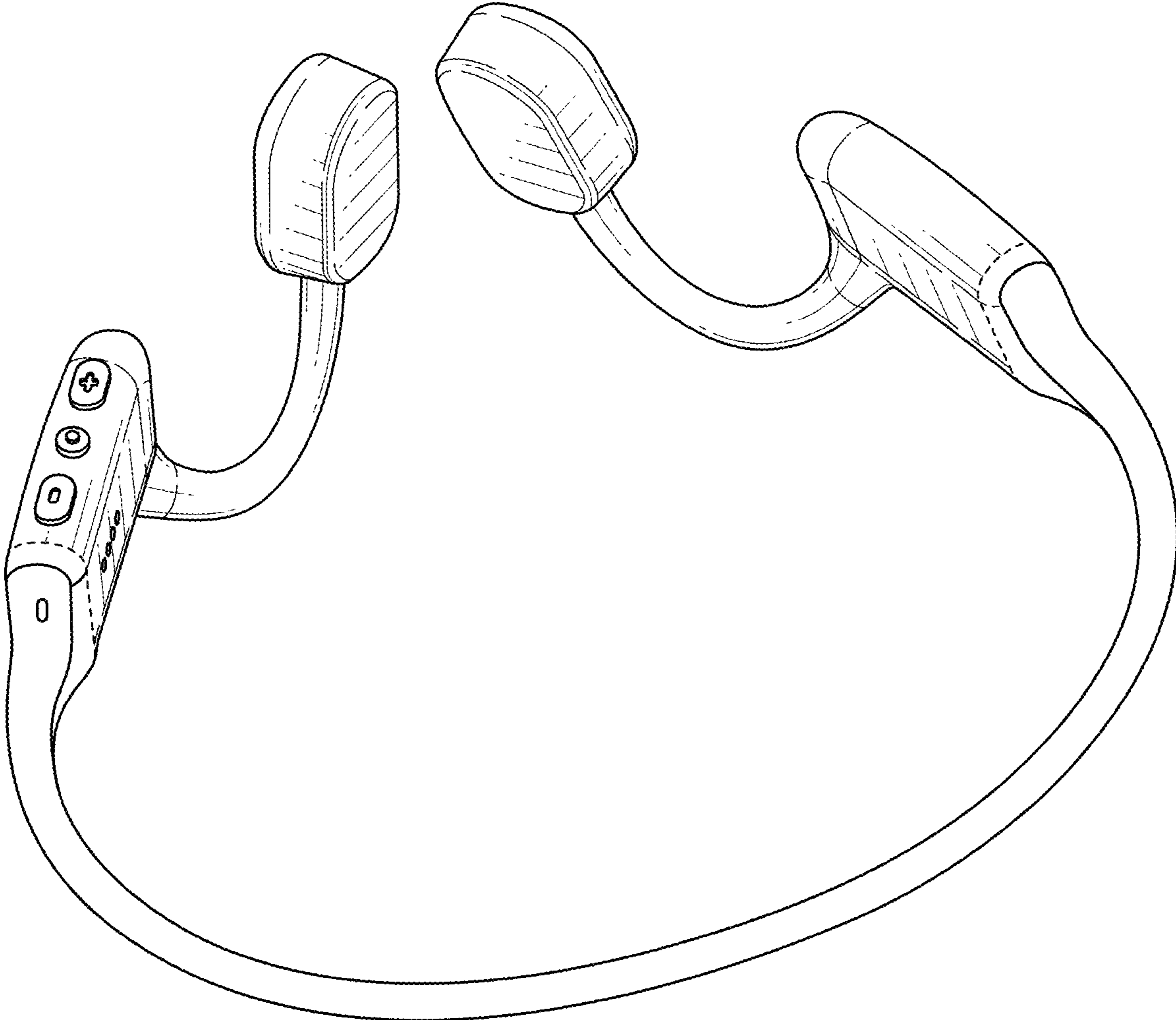


FIG. 2



FIG. 3



FIG. 4

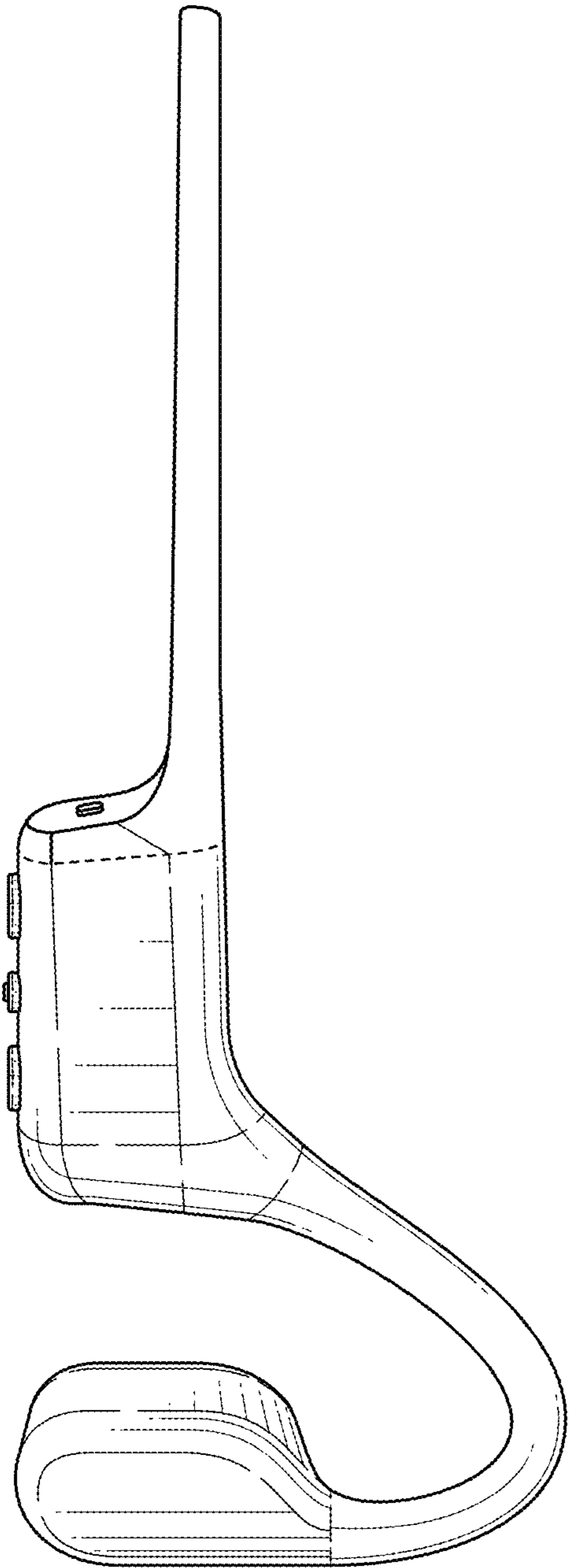


FIG. 5

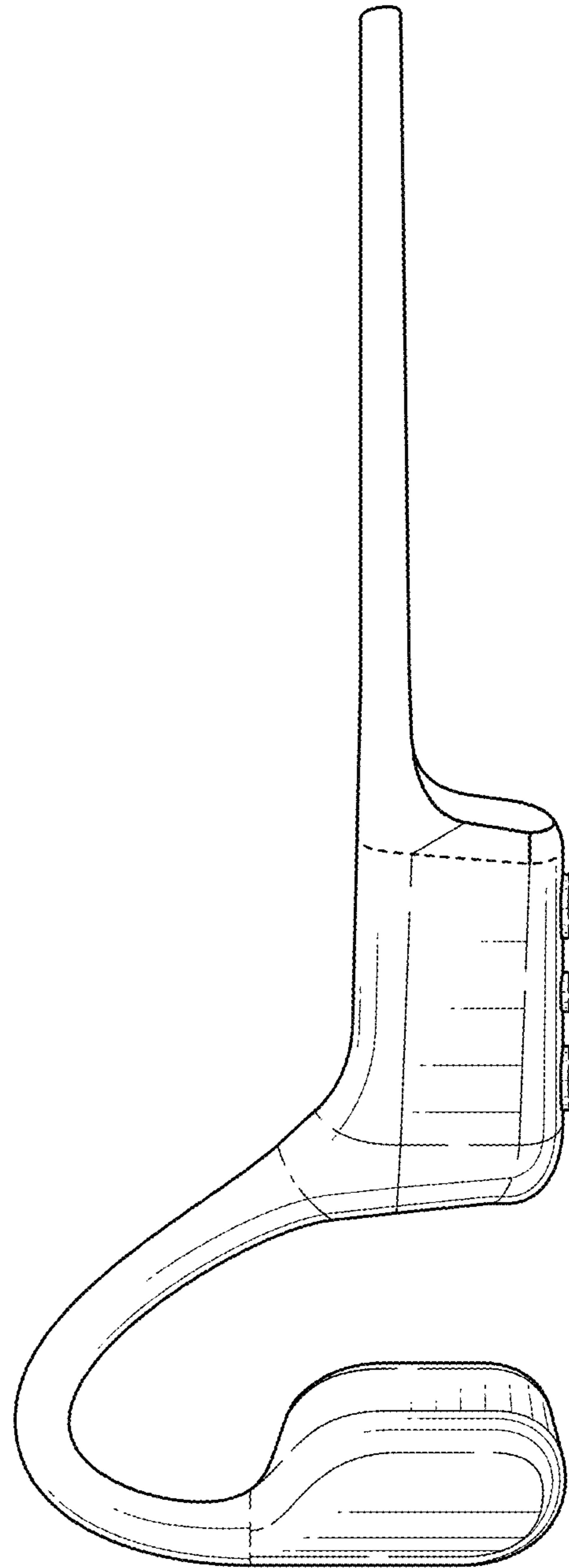


FIG. 6

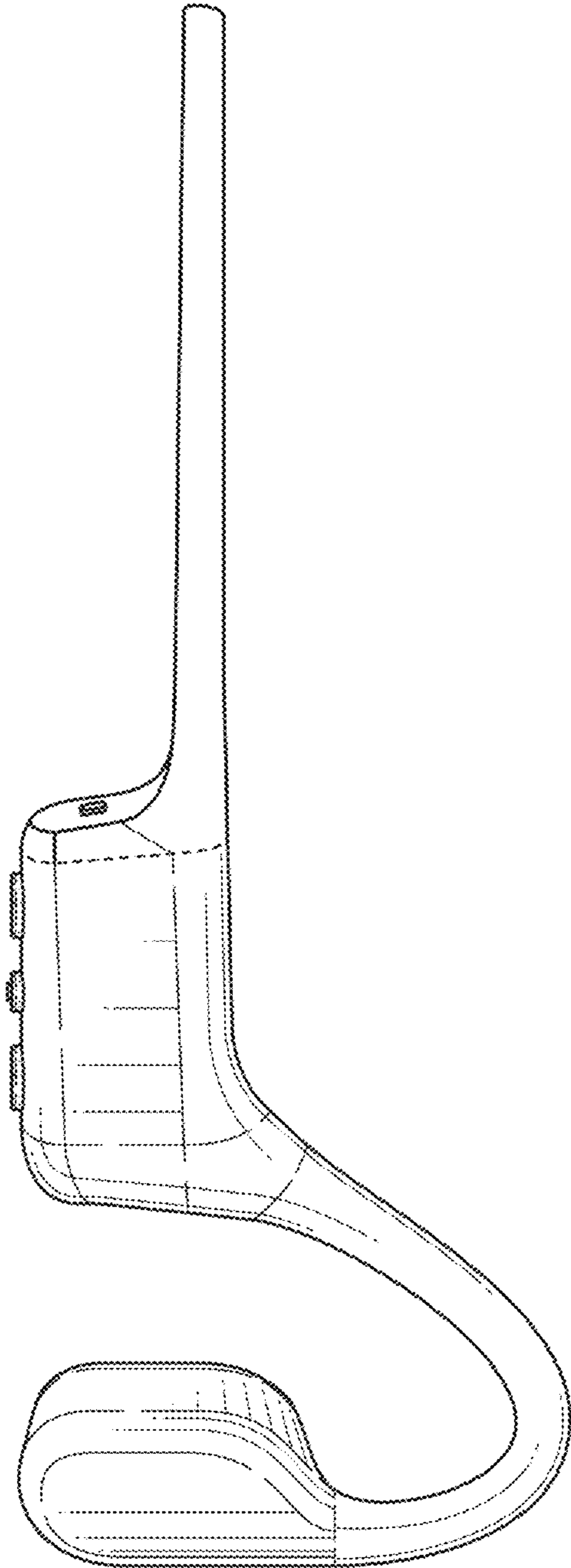


FIG. 5

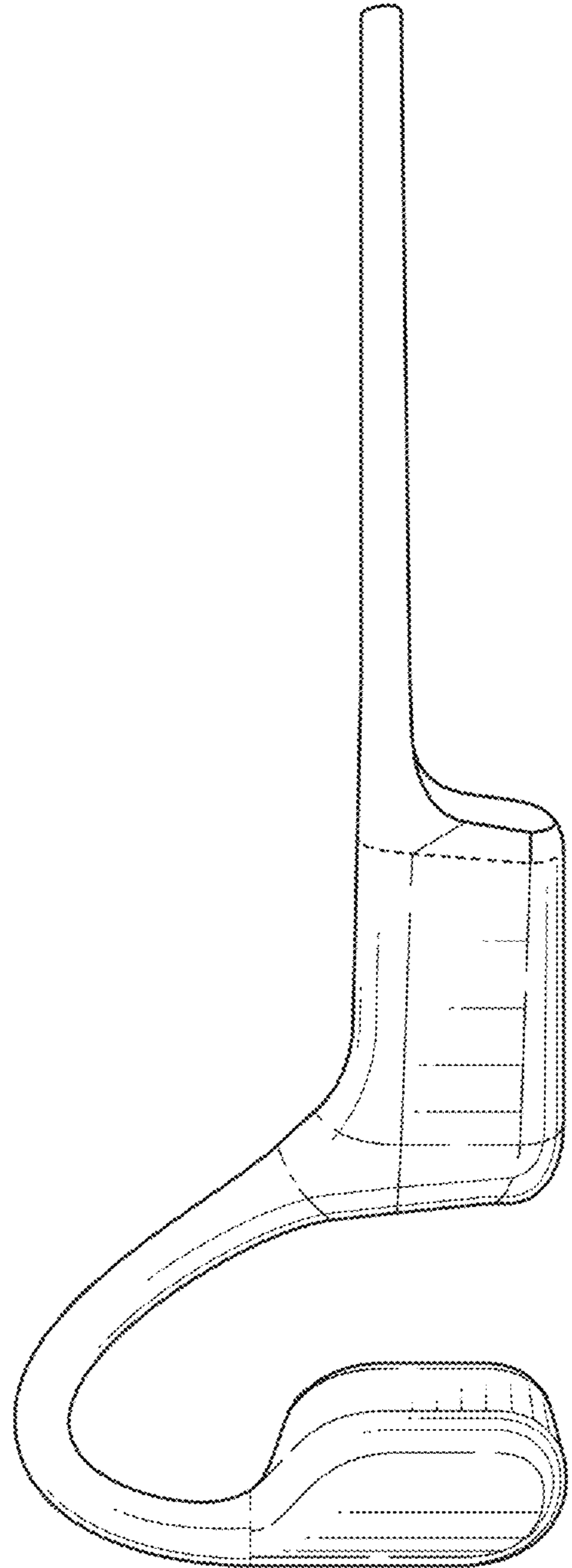


FIG. 6

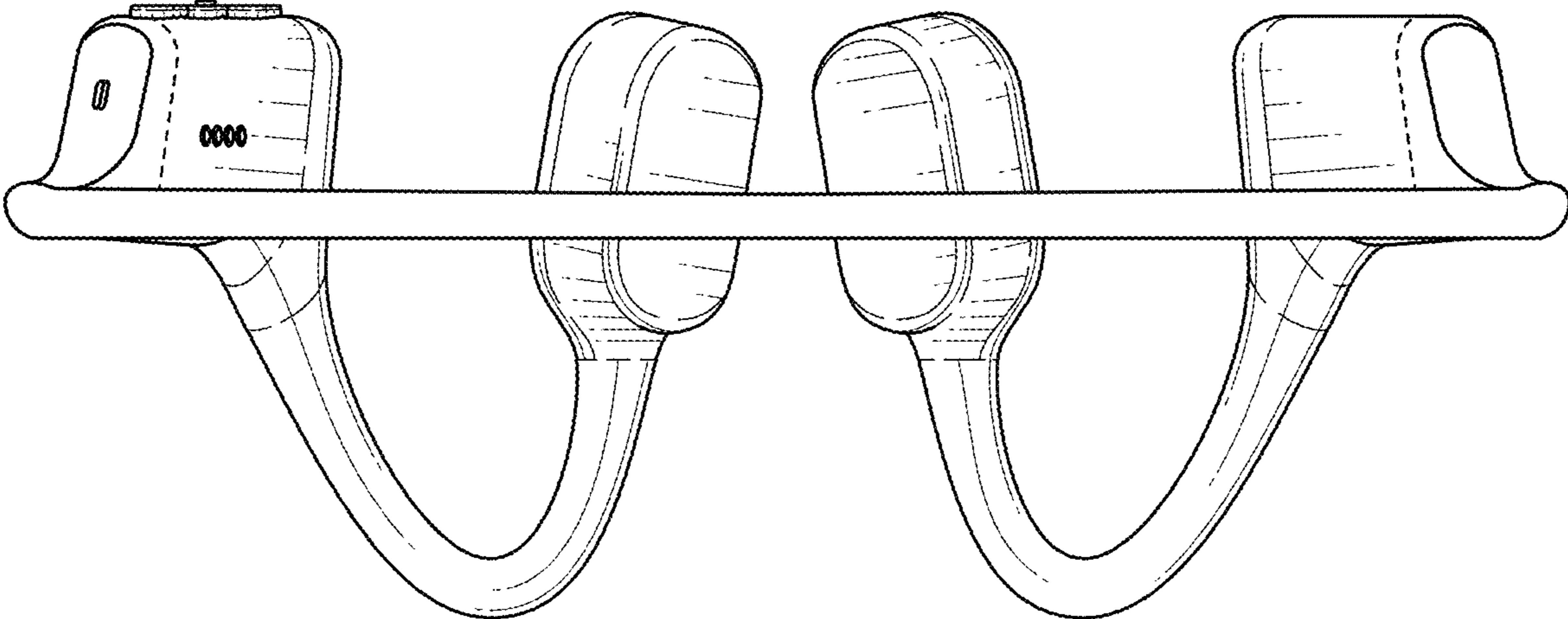


FIG. 7

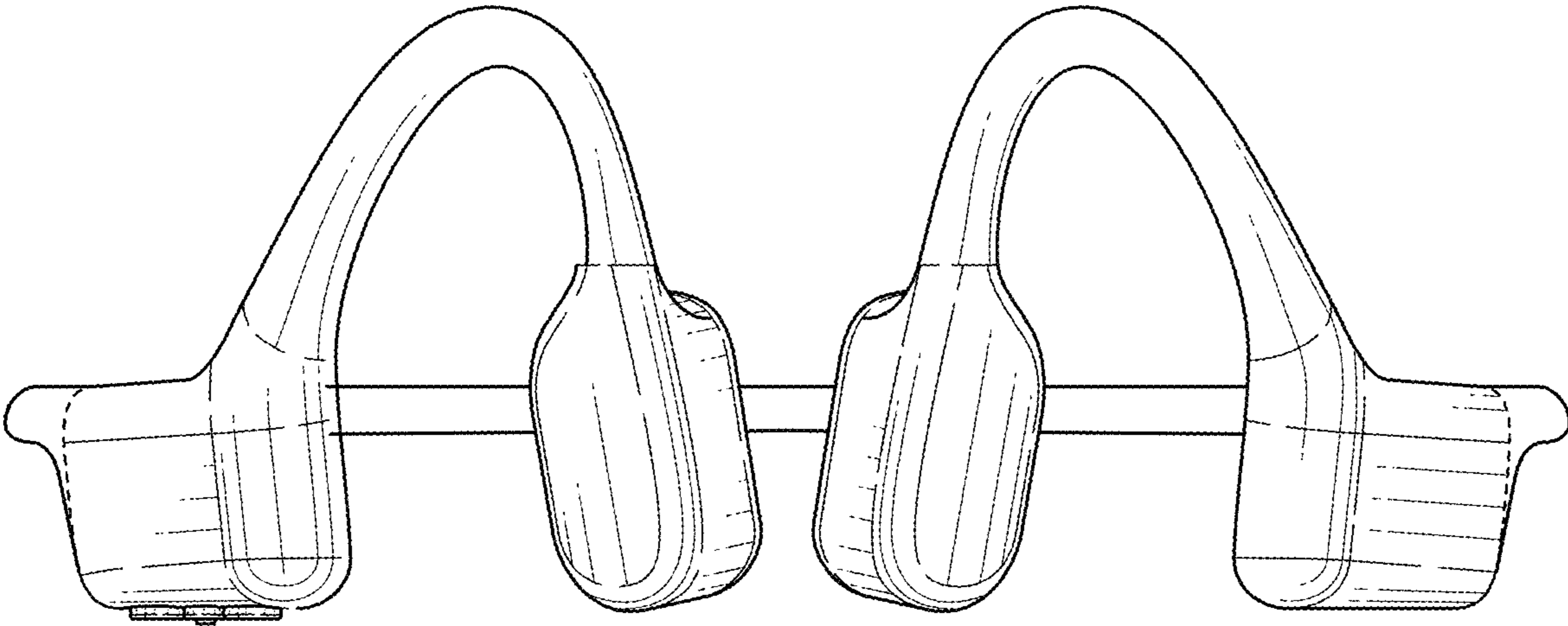


FIG. 8