



US00D915341S

(12) **United States Design Patent** (10) **Patent No.:** **US D915,341 S**  
**Kim et al.** (45) **Date of Patent:** **\*\* Apr. 6, 2021**

(54) **AUDIO PLAYER**  
(71) Applicant: **LG ELECTRONICS INC., Seoul (KR)**  
(72) Inventors: **Kyungmin Kim, Seoul (KR); Seongahn Jeon, Seoul (KR)**  
(73) Assignee: **LG ELECTRONICS INC., Seoul (KR)**

D647,503 S \* 10/2011 Moore ..... D14/207  
D662,081 S \* 6/2012 Yoshiizumi ..... D14/214  
D674,778 S \* 1/2013 Skurdal ..... D14/214  
D714,259 S \* 9/2014 Galler ..... D14/221  
D726,149 S \* 4/2015 Rodgers ..... D14/214  
9,014,411 B2 \* 4/2015 Rodgers ..... H04R 1/023  
381/391  
D730,318 S \* 5/2015 Park ..... D14/214  
D736,742 S \* 8/2015 Warden ..... D14/214  
D754,630 S \* 4/2016 Paterson ..... D14/204  
D769,214 S \* 10/2016 Warden ..... D14/204  
D784,953 S \* 4/2017 Warden ..... D14/204  
D796,472 S \* 9/2017 Sprinkle ..... D14/204

(\*\*) Term: **15 Years**

(Continued)

(21) Appl. No.: **35/507,159**

**OTHER PUBLICATIONS**

(22) Filed: **Feb. 1, 2019**

LG Unveils New Dolby Atmos Soundbar at CES 2017, publication date Jan. 4, 2017, [online][site visited May 20, 2020] URL: <https://www.gizbot.com/home-entertainment/news/lg-unveils-new-dolby-atmos-soundbar-at-ces-2017-expands-its-audio-line-up-037244.html> (Year: 2017).\*

(80) **Hague Agreement Data**

Int. Filing Date: **Feb. 1, 2019**  
Int. Reg. No.: **DM/201780**  
Int. Reg. Date: **Feb. 1, 2019**  
Int. Reg. Pub. Date: **Aug. 2, 2019**

(Continued)

(30) **Foreign Application Priority Data**

Aug. 7, 2018 (KR) ..... 30-2018-0036605

(51) **LOC (13) Cl.** ..... **14-01**

(52) **U.S. Cl.**  
USPC ..... **D14/204; D14/209.1**

(58) **Field of Classification Search**  
USPC ... D14/172, 188, 194, 204, 209.1, 211, 214, D14/215, 221, 203.1, 212  
CPC ..... H04R 2420/07; H04R 5/02; H04R 1/403; H04R 2201/028

See application file for complete search history.

(56) **References Cited**

**U.S. PATENT DOCUMENTS**

D463,786 S \* 10/2002 Lin ..... D14/214  
D529,019 S \* 9/2006 Lim ..... D14/172  
D580,411 S \* 11/2008 Omori ..... D14/215  
D609,216 S \* 2/2010 Davies ..... D14/214

*Primary Examiner* — L. A. Grabenstetter  
(74) *Attorney, Agent, or Firm* — Birch, Stewart, Kolasch & Birch LLP

(57) **CLAIM**

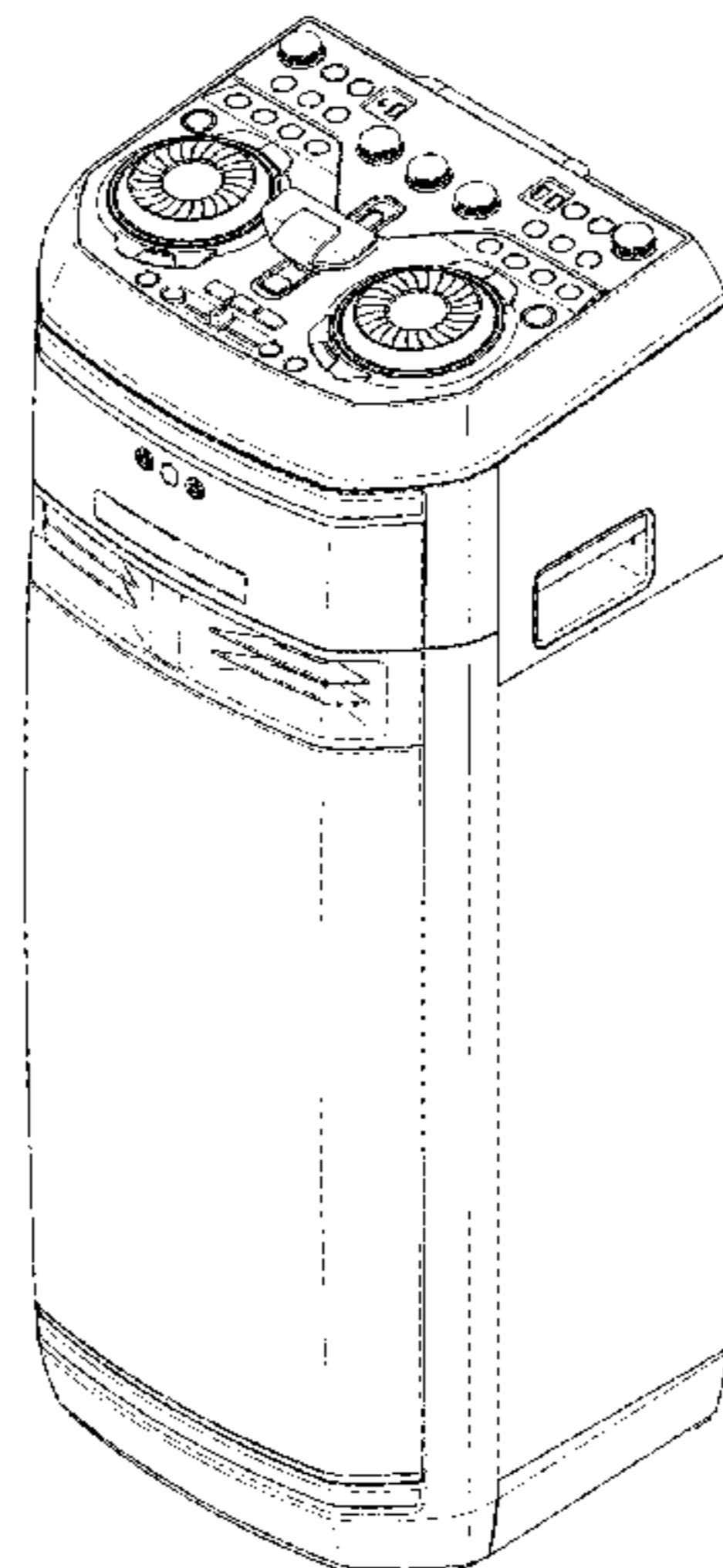
The ornamental design for an audio player, as shown and described.

**DESCRIPTION**

- 1. Audio player
- 1.1 : Perspective
- 1.2 : Front
- 1.3 : Back
- 1.4 : Left
- 1.5 : Right
- 1.6 : Top
- 1.7 : Bottom

The broken lines indicate portions of the article that form no part of the claimed design.

**1 Claim, 7 Drawing Sheets**



(56)

**References Cited**

U.S. PATENT DOCUMENTS

D806,671 S \* 1/2018 Kalyuzhny ..... D14/204  
D817,927 S \* 5/2018 McManigal ..... D14/214  
D836,596 S \* 12/2018 Warden ..... D14/204  
D836,601 S \* 12/2018 Yang ..... D14/209.1  
D862,411 S \* 10/2019 Yang ..... D14/204

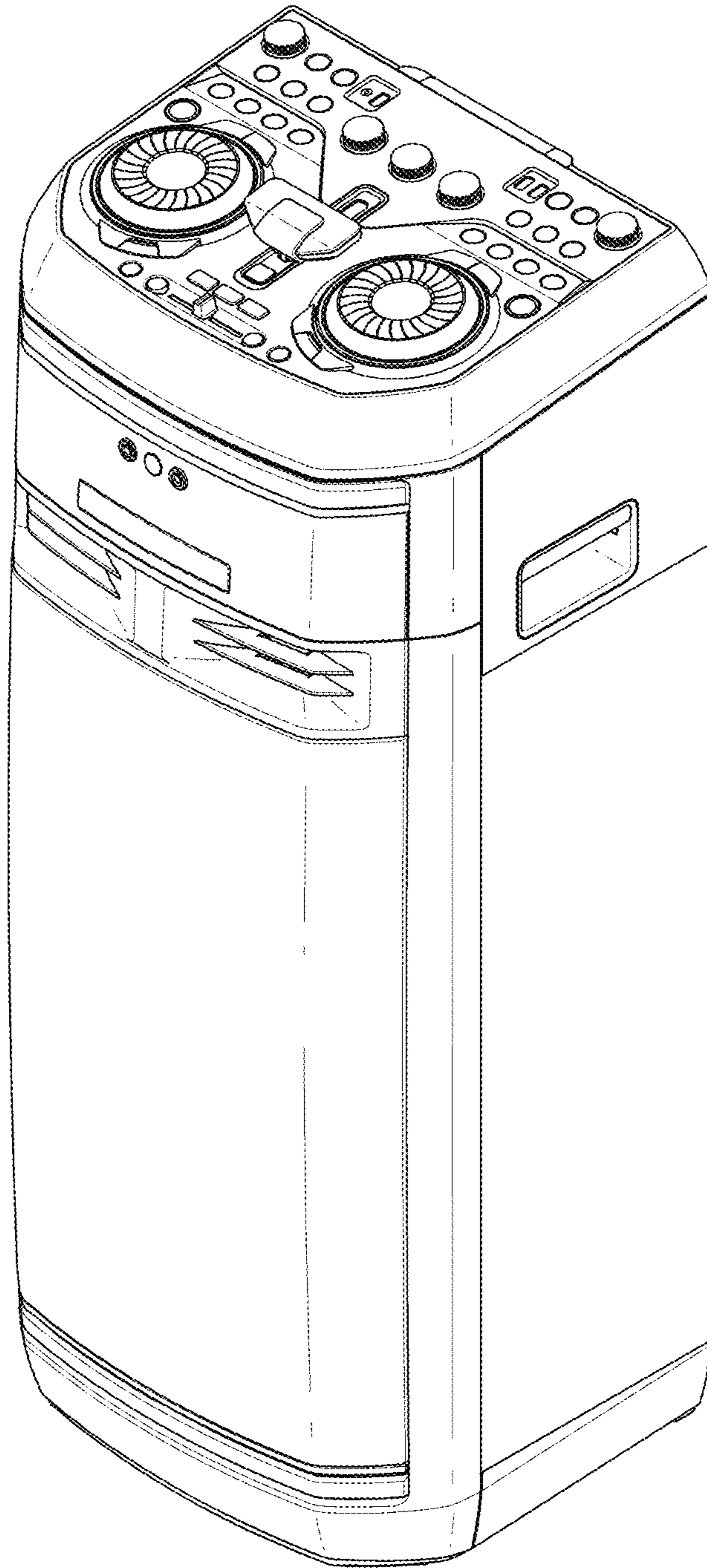
OTHER PUBLICATIONS

LG OK99 Party Machine, publication date Feb. 8, 2018, [online][site visited May 20, 2020] URL: <https://www.youtube.com/watch?v=-yyCX5mu6ko> (Year: 2018).\*

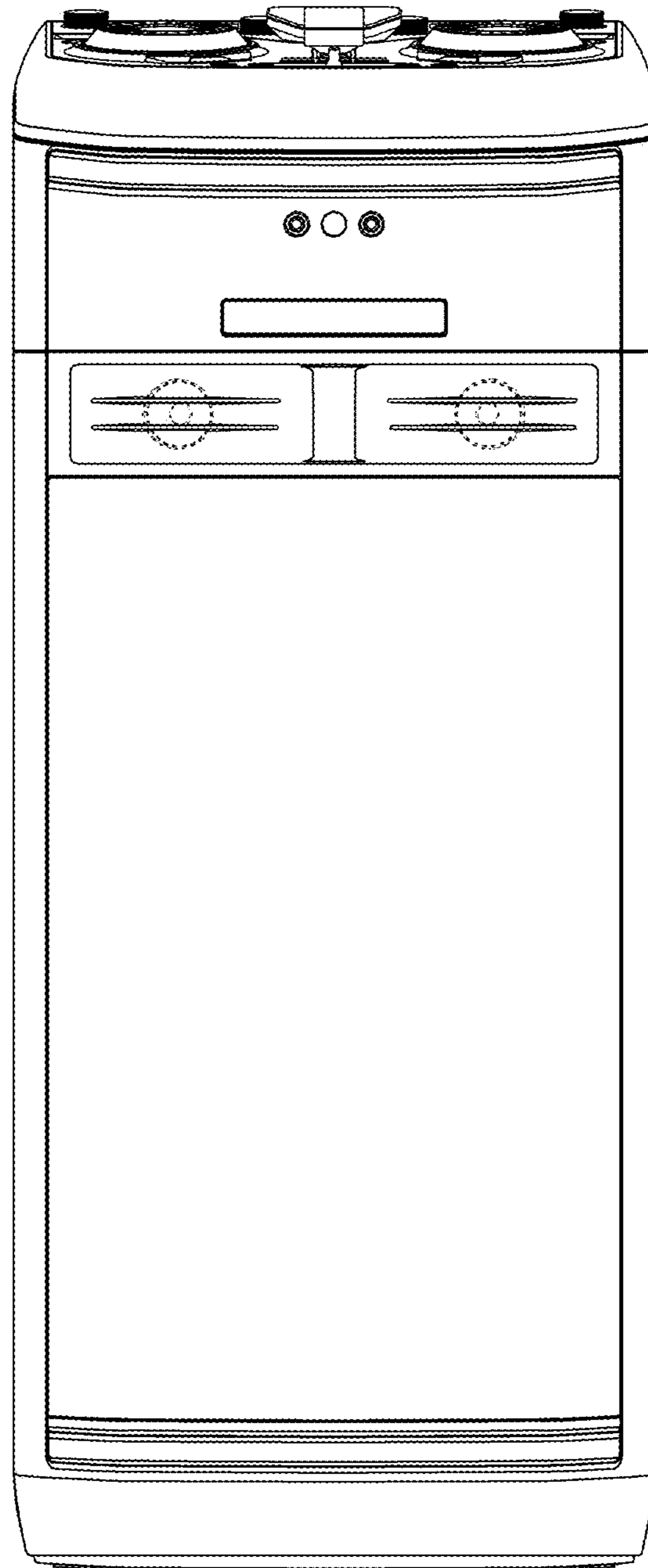
LG Loudr Turn-Table DJ Speaker, CES 2018, publication date Jan. 25, 2018, [online][site visited May 20, 2020] URL: <https://www.youtube.com/watch?v=d1vtoH8KbTY> (Year: 2018).\*

\* cited by examiner

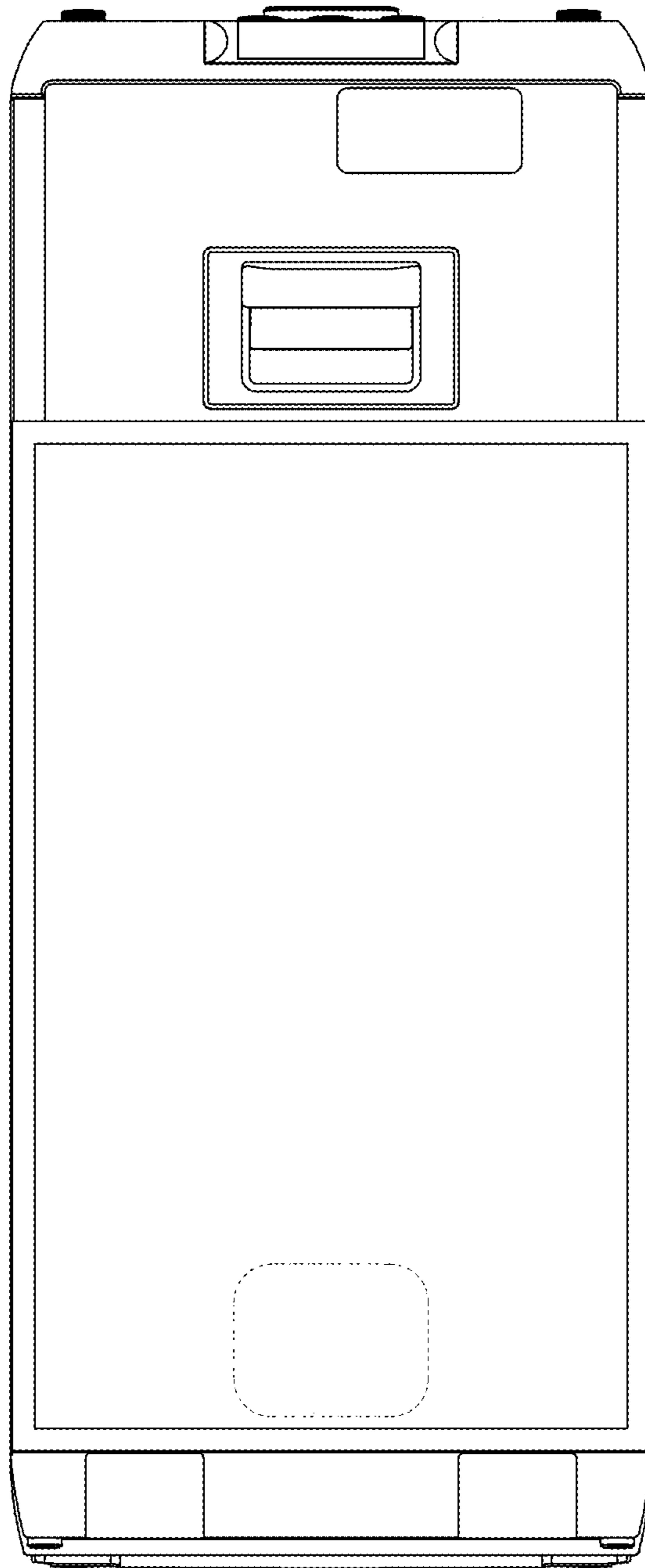
1.1



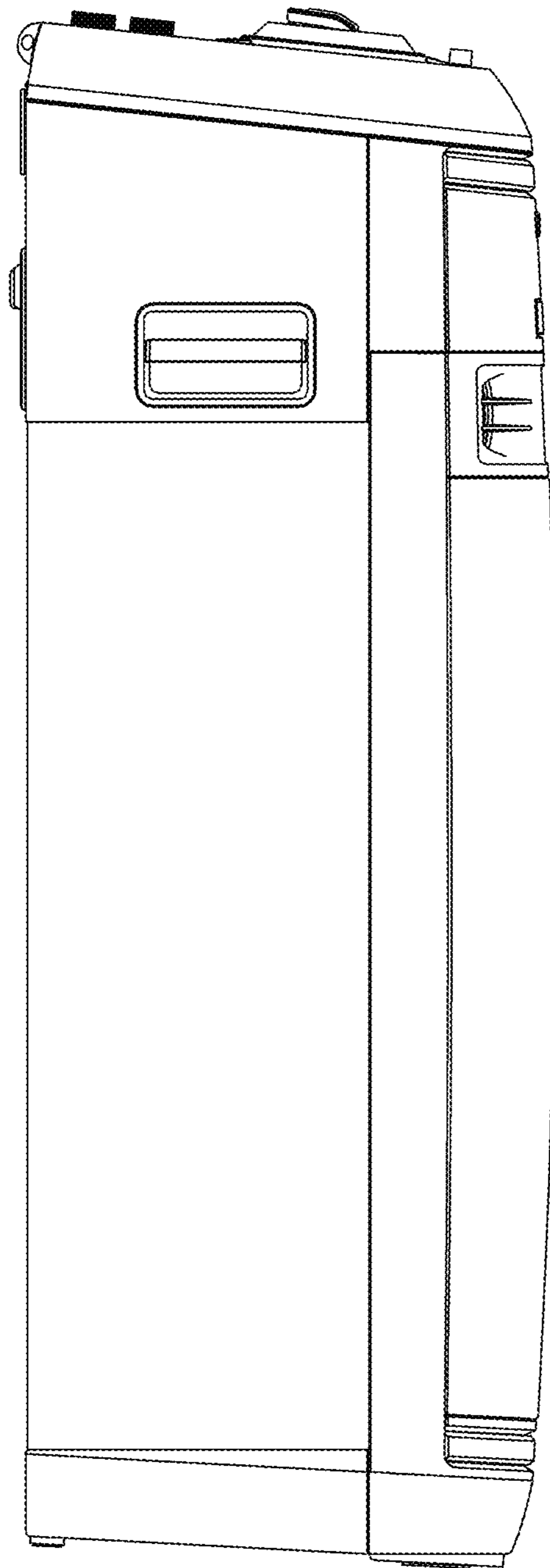
1.2



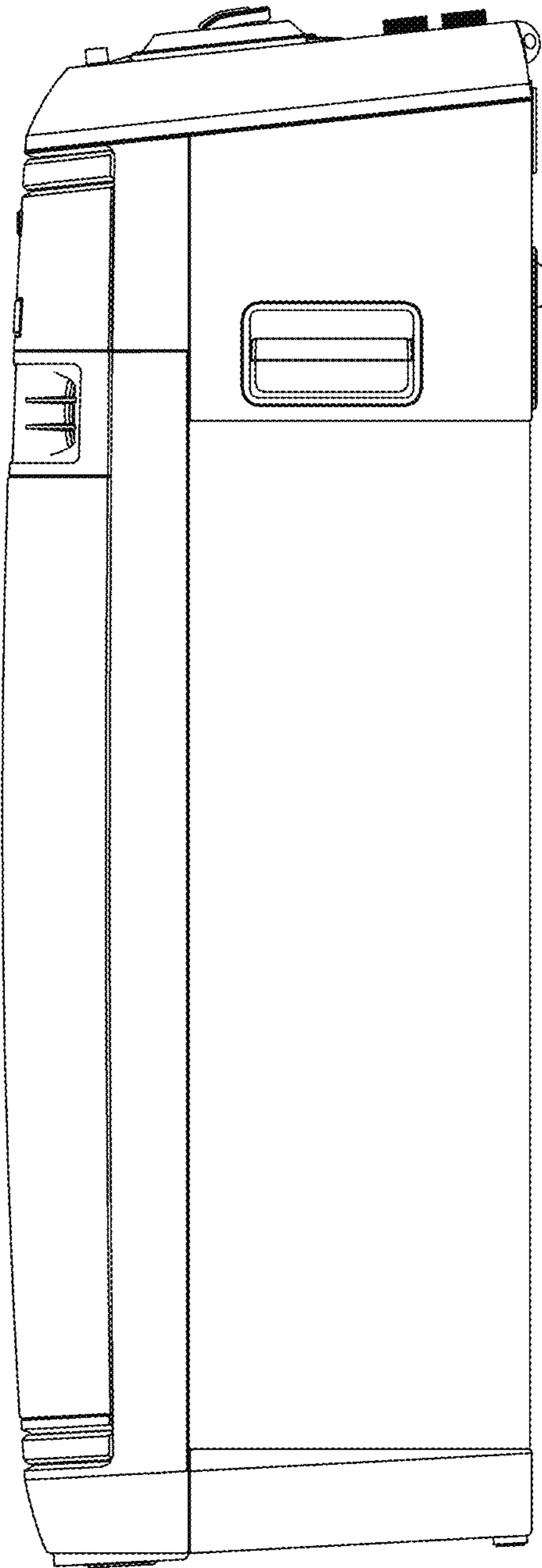
1.3



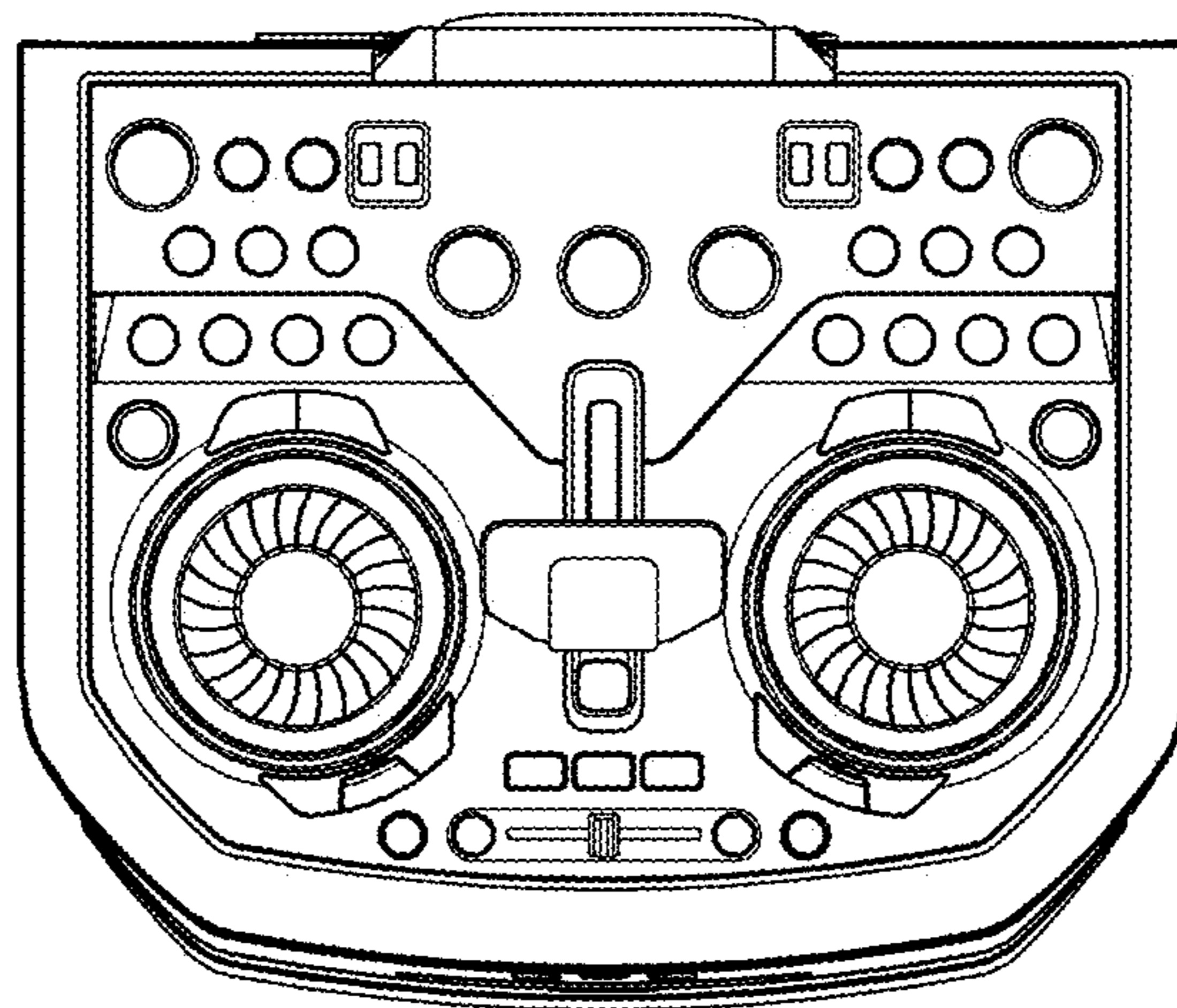
1.4



1.5



1.6





1.7

