



US00D915340S

(12) **United States Design Patent**
Vanbelle

(10) **Patent No.:** **US D915,340 S**

(45) **Date of Patent:** **** Apr. 6, 2021**

(54) **BABY MONITORING APPARATUS**

(71) Applicant: **Steven Vanbelle**, Oostkamp (BE)

(72) Inventor: **Steven Vanbelle**, Oostkamp (BE)

(73) Assignee: **AEROSLEEP NV** (BE)

(**) Term: **15 Years**

(21) Appl. No.: **29/690,537**

(22) Filed: **May 8, 2019**

(30) **Foreign Application Priority Data**

Nov. 8, 2018 (EM) 005820628-0001

Nov. 8, 2018 (EM) 005820628-0002

(51) **LOC (13) Cl.** **14-03**

(52) **U.S. Cl.**
USPC **D14/159**

(58) **Field of Classification Search**

USPC D14/167, 154, 168, 188, 496, 156, 160,
D14/161, 162, 163, 164, 165, 158, 253,
D14/192, 159, 155, 138 AB, 137, 104.1;
455/351, 350, 353; D10/104, 106, 65,
D10/78; 340/573.4, 573.1

CPC . G06F 3/16; G08B 3/00; H04M 11/00; H04N
7/14; H04N 7/26

See application file for complete search history.

(56) **References Cited**

U.S. PATENT DOCUMENTS

D430,546 S * 9/2000 Gibson D10/104.1

D666,575 S * 9/2012 Marsh D14/159

D681,600 S * 5/2013 Gebski D14/159
D692,847 S * 11/2013 Barley D14/159
D727,769 S * 4/2015 Scalisi D10/118.2
D794,599 S * 8/2017 Reed D14/159
D865,702 S * 11/2019 Yamada D14/159
D878,321 S * 3/2020 Sandberg D14/159
D878,322 S * 3/2020 Sandberg D14/159

* cited by examiner

Primary Examiner — Austin Murphy

(74) *Attorney, Agent, or Firm* — Fresh IP PLC; Clifford
D. Hyra; Aubrey Y. Chen

(57) **CLAIM**

The ornamental design for a baby monitoring apparatus, as shown and described.

DESCRIPTION

FIG. 1 is a perspective view showing the front, top and right side of a baby monitoring apparatus;

FIG. 2 is a top view thereof;

FIG. 3 is a perspective bottom view thereof;

FIG. 4 is a front side view thereof;

FIG. 5 is perspective view thereof showing the front, top, and right sides, with the monitor clip separated from the monitor base in a position of use;

FIG. 6 is a top, rear, right side perspective view of the monitor clip of FIG. 1;

FIG. 7 is a top view thereof;

FIG. 8 is a bottom view thereof;

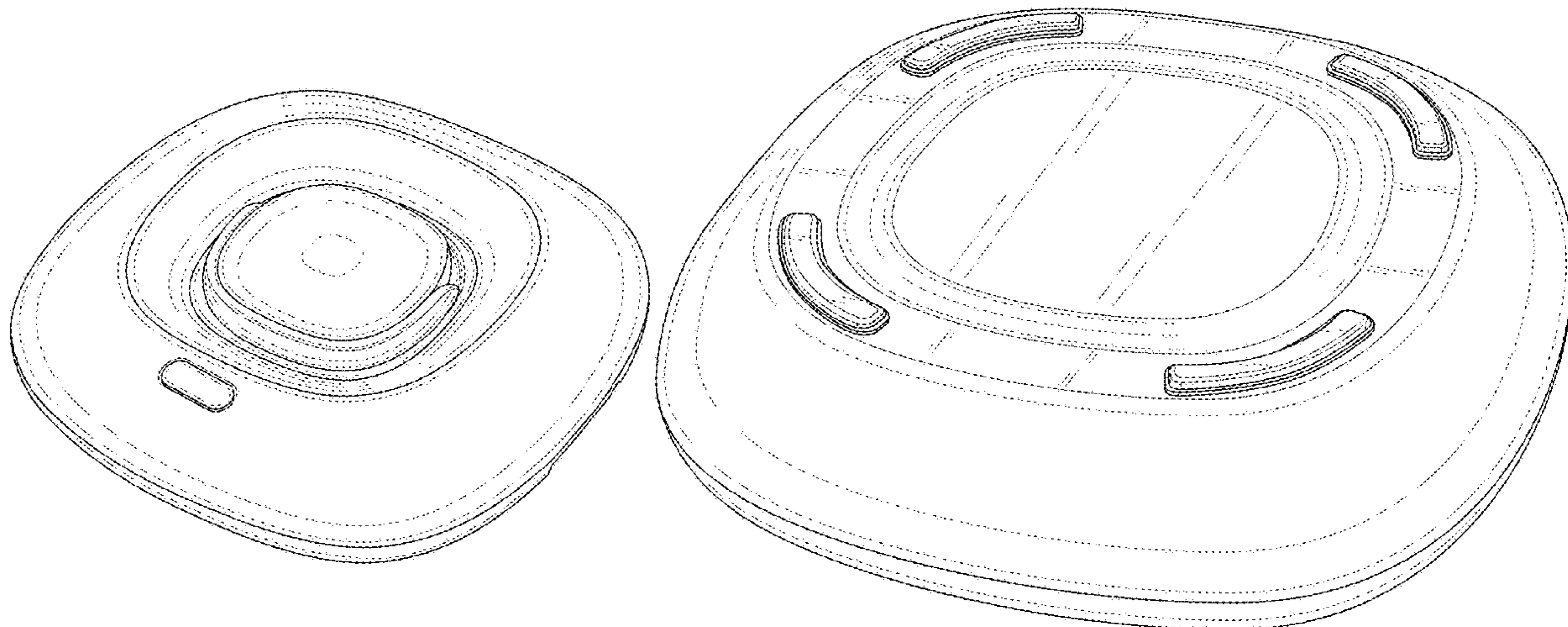
FIG. 9 is a rear view thereof;

FIG. 10 is a right side view thereof;

FIG. 11 is a front view thereof; and,

FIG. 12 is a front, top, left side perspective view thereof in a position of use.

1 Claim, 12 Drawing Sheets



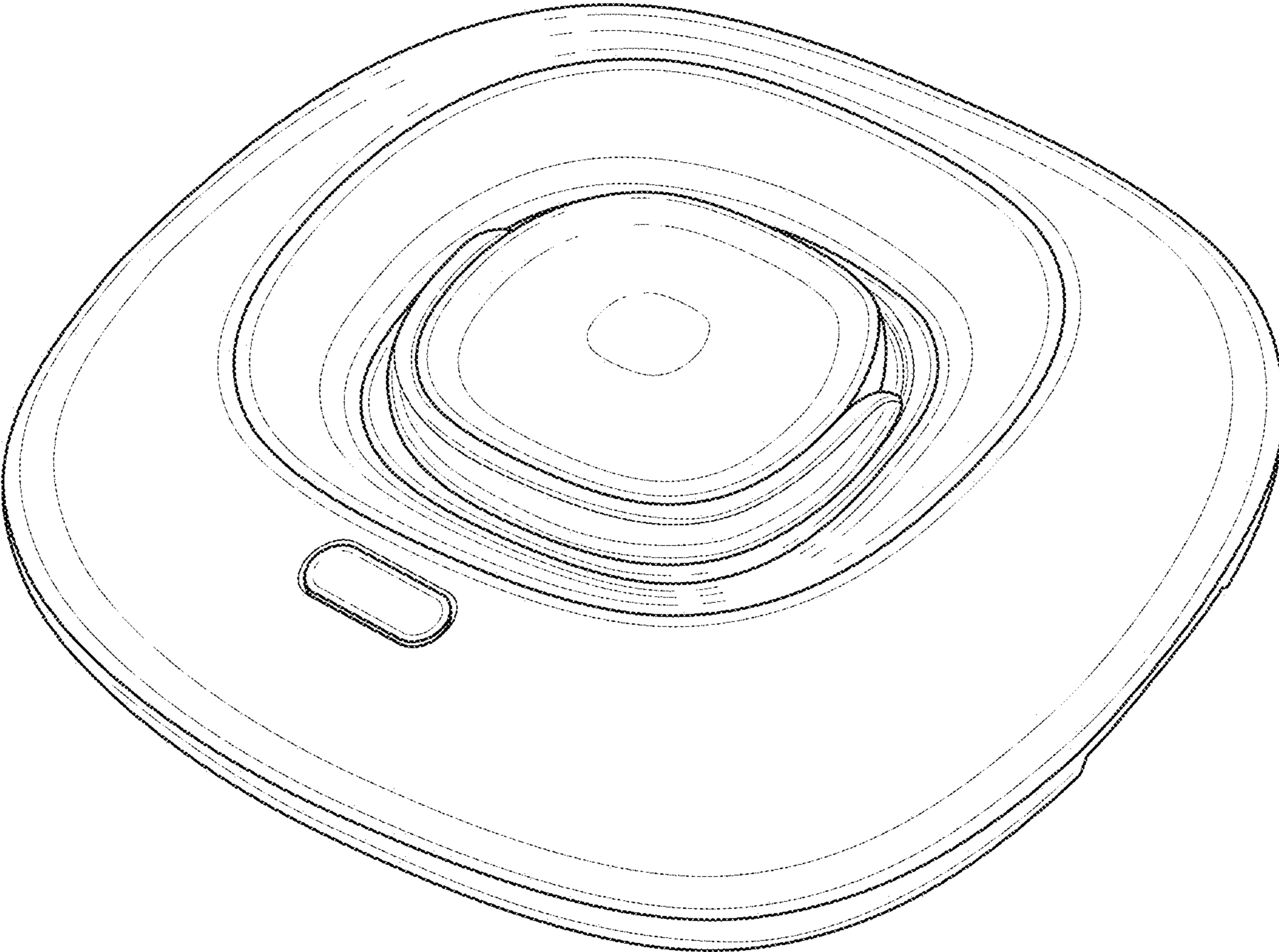


FIG. 1

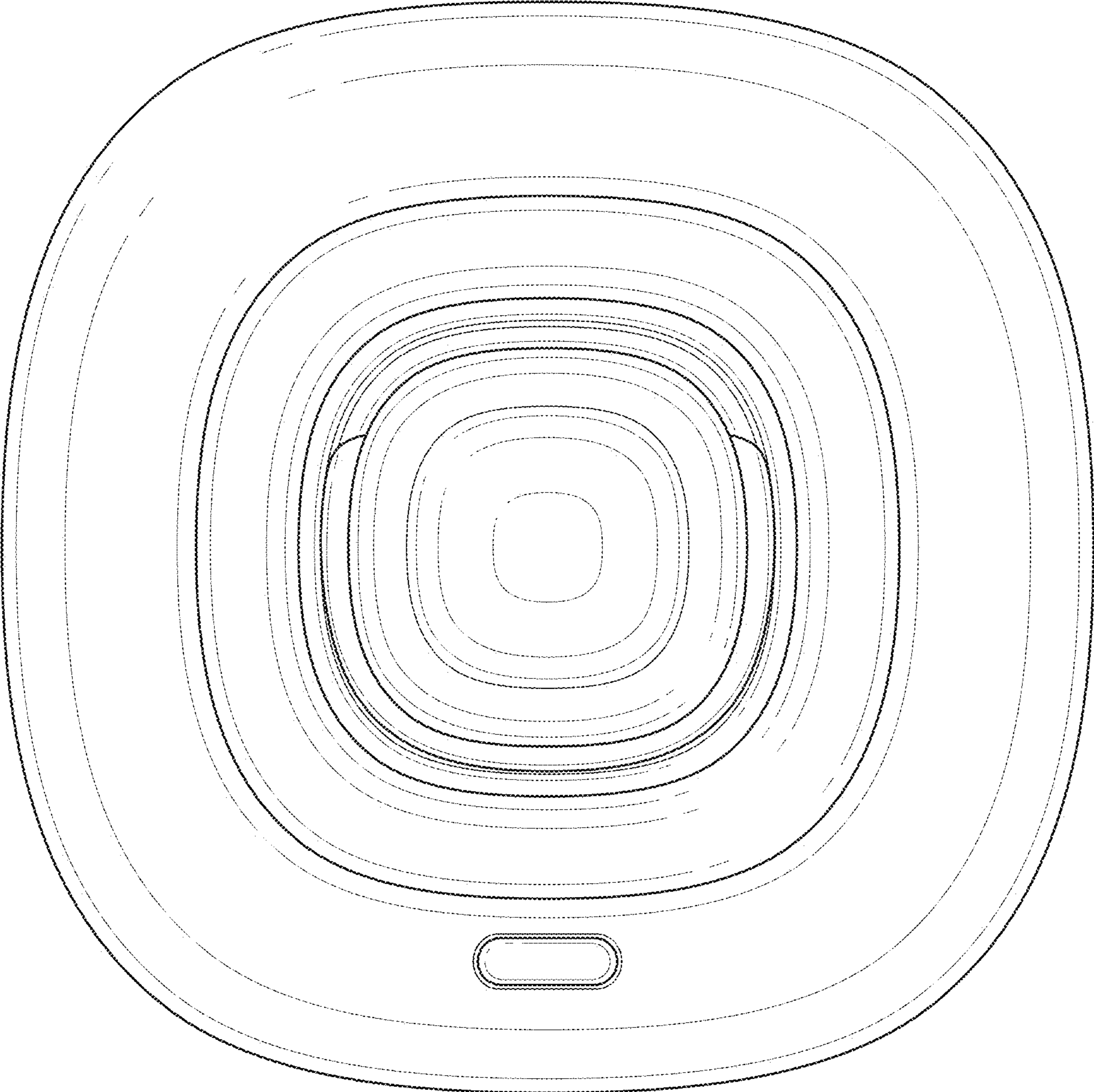


FIG. 2

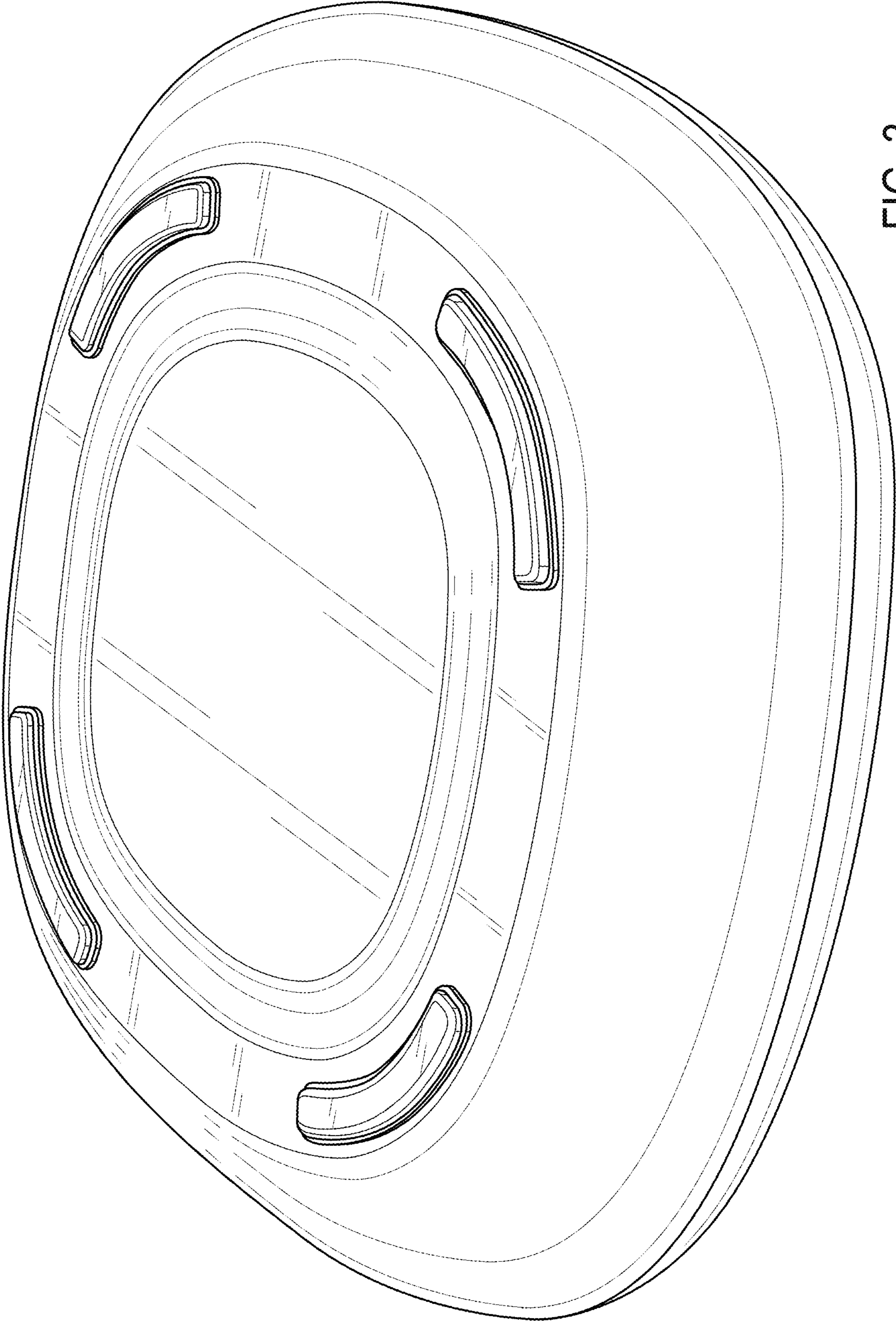


FIG. 3

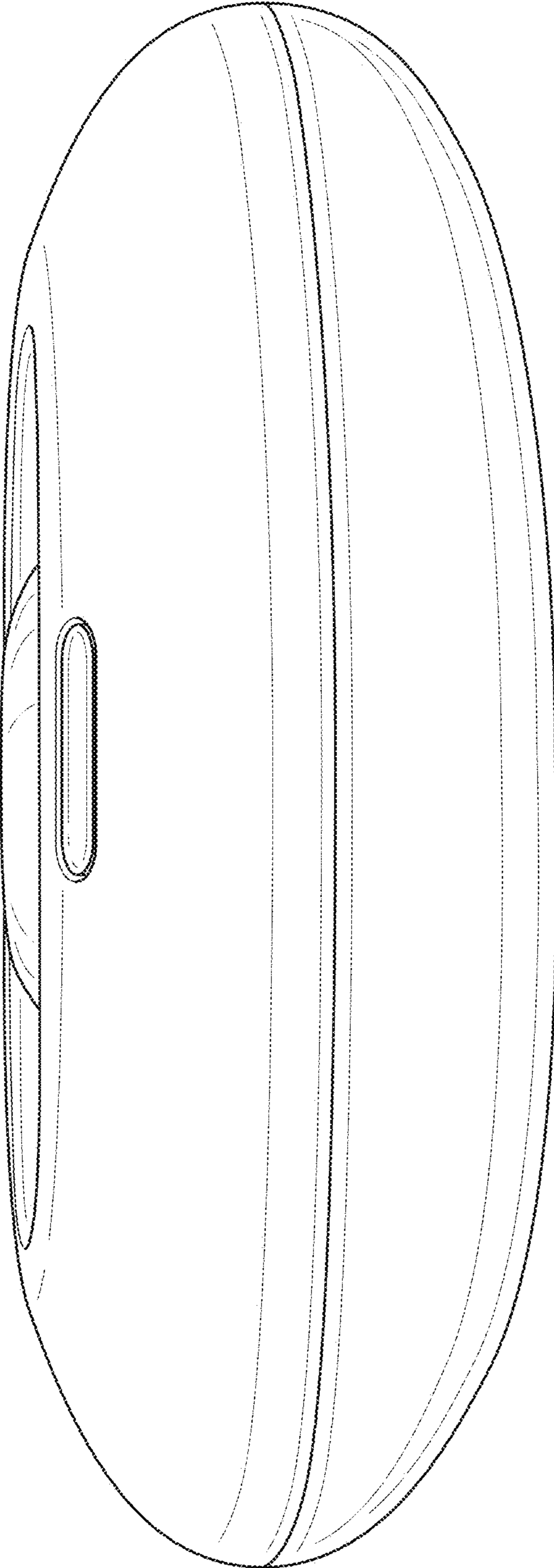


FIG. 4

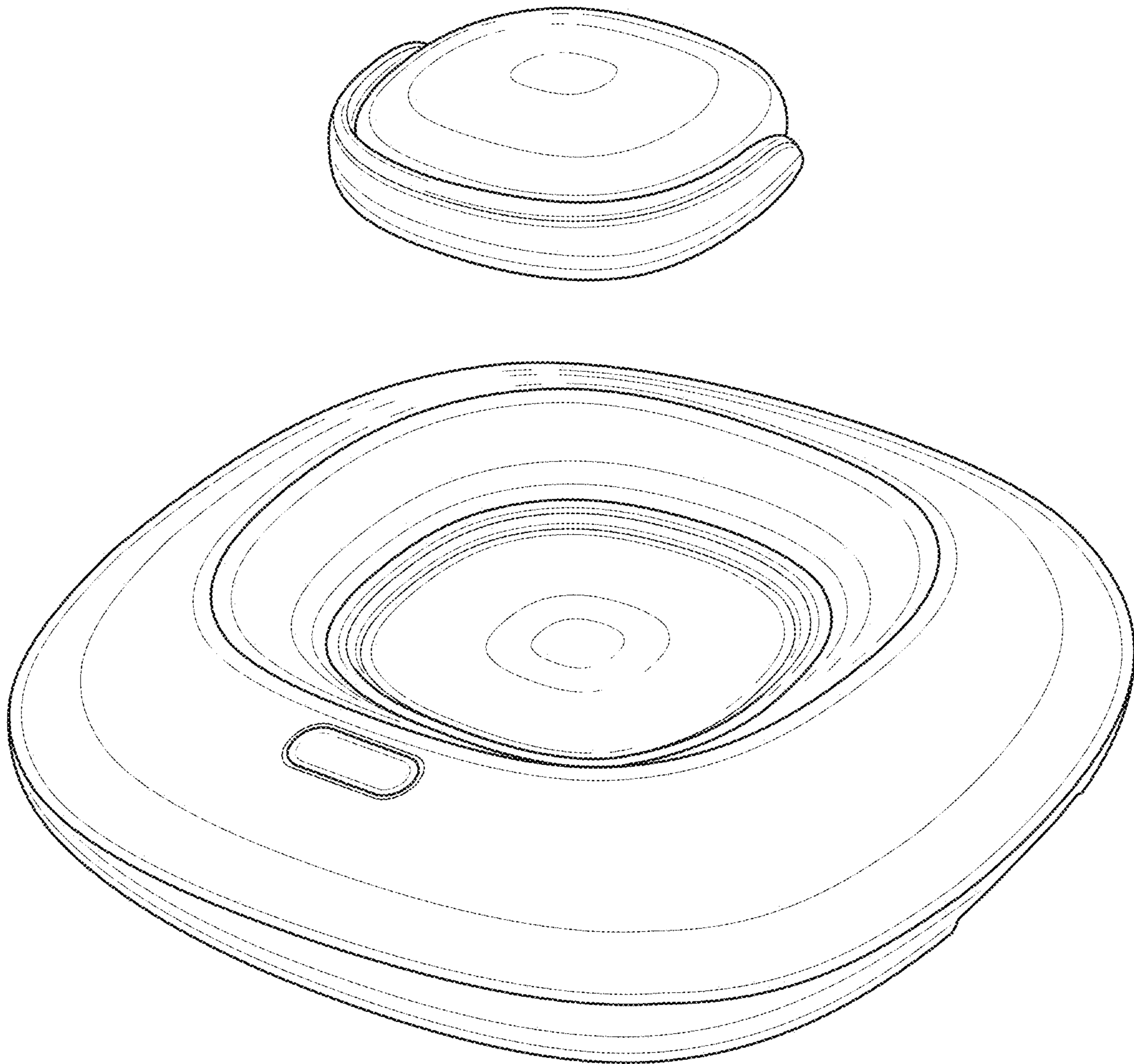


FIG. 5

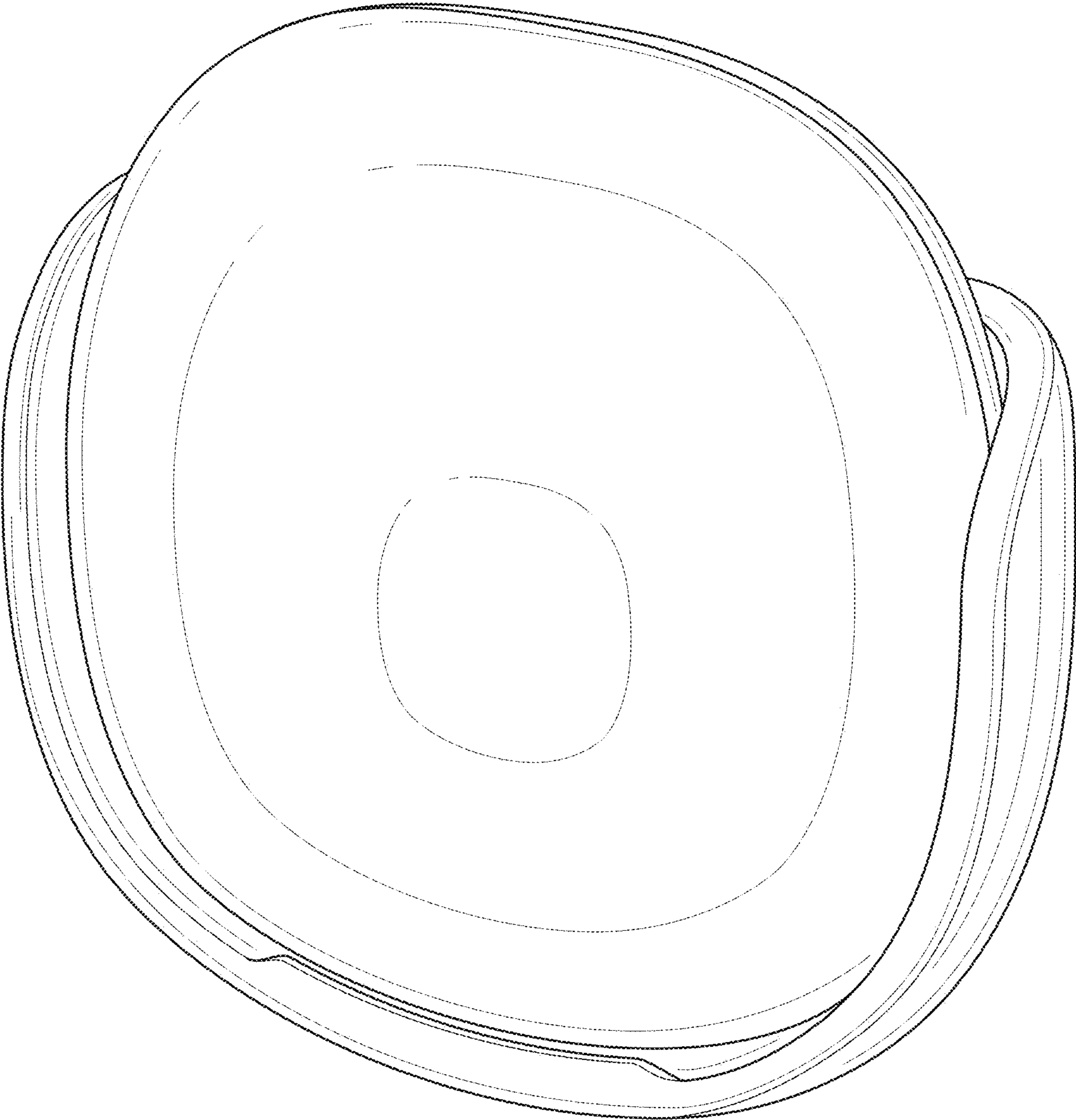


FIG. 6

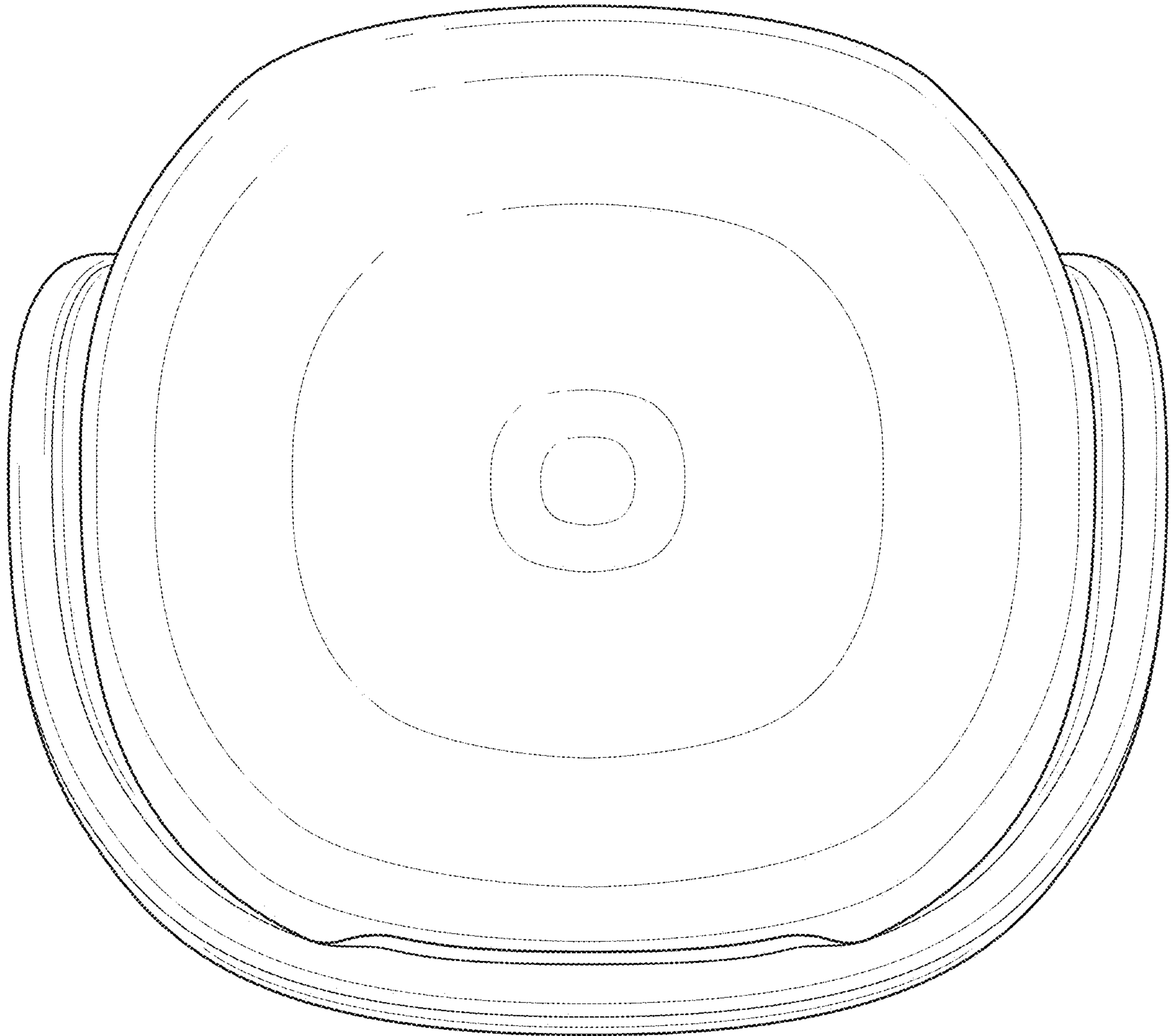


FIG. 7

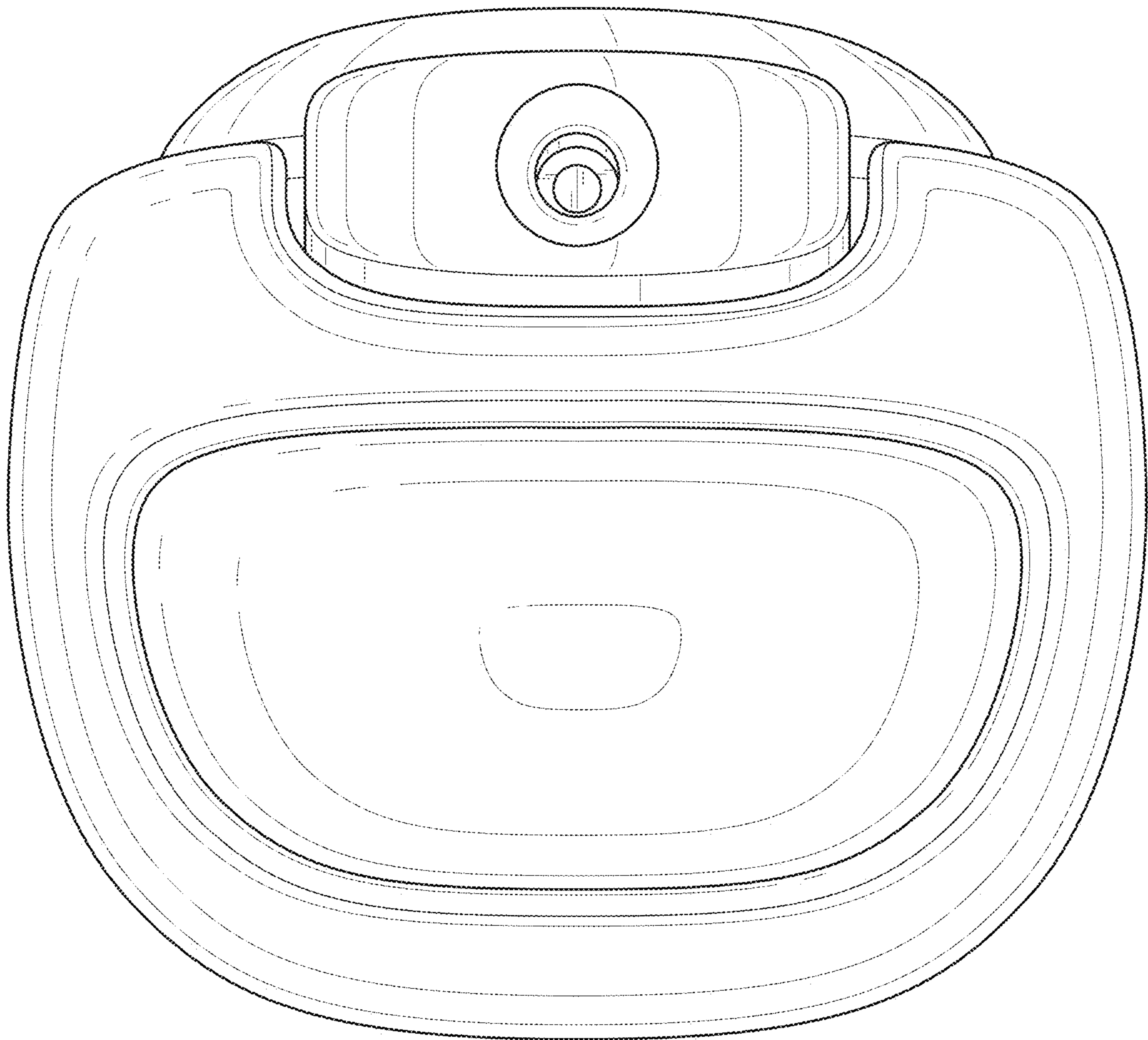


FIG. 8

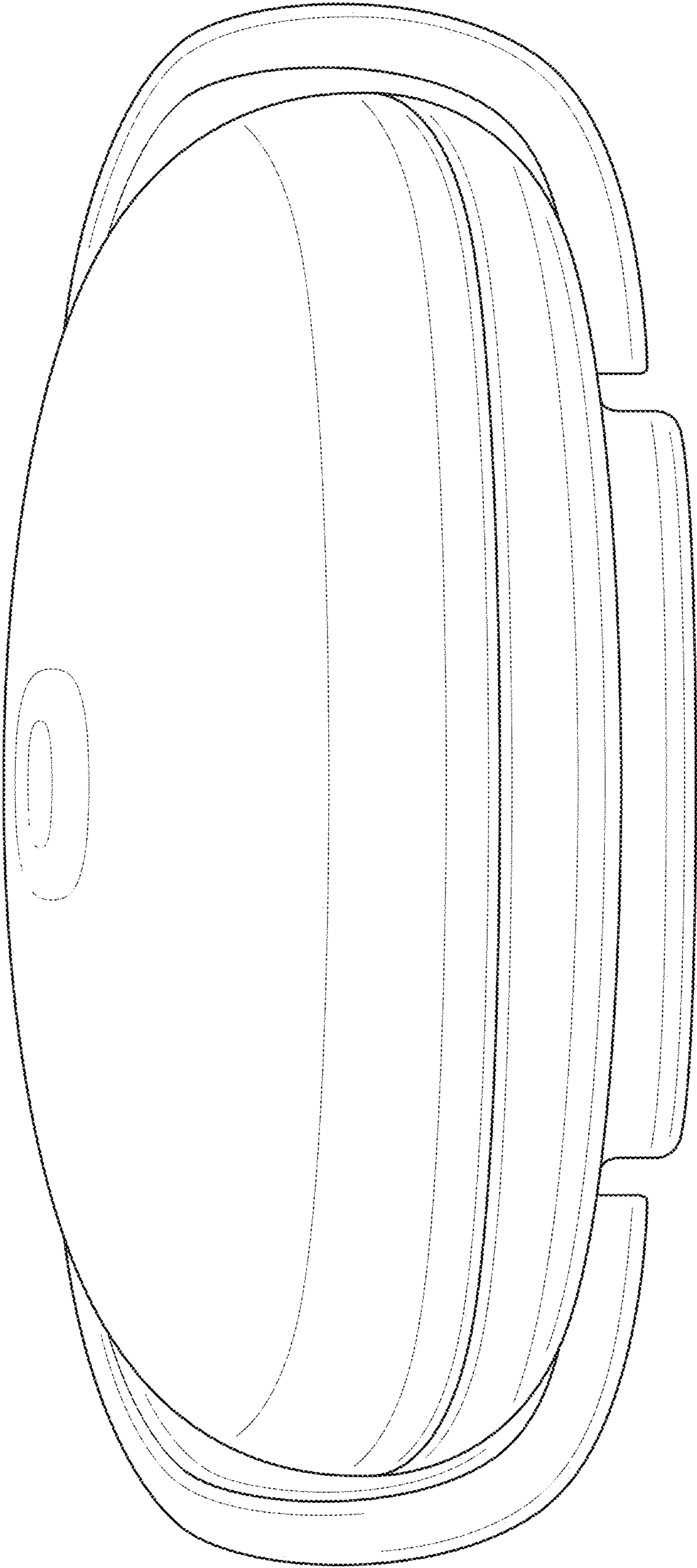


FIG. 9

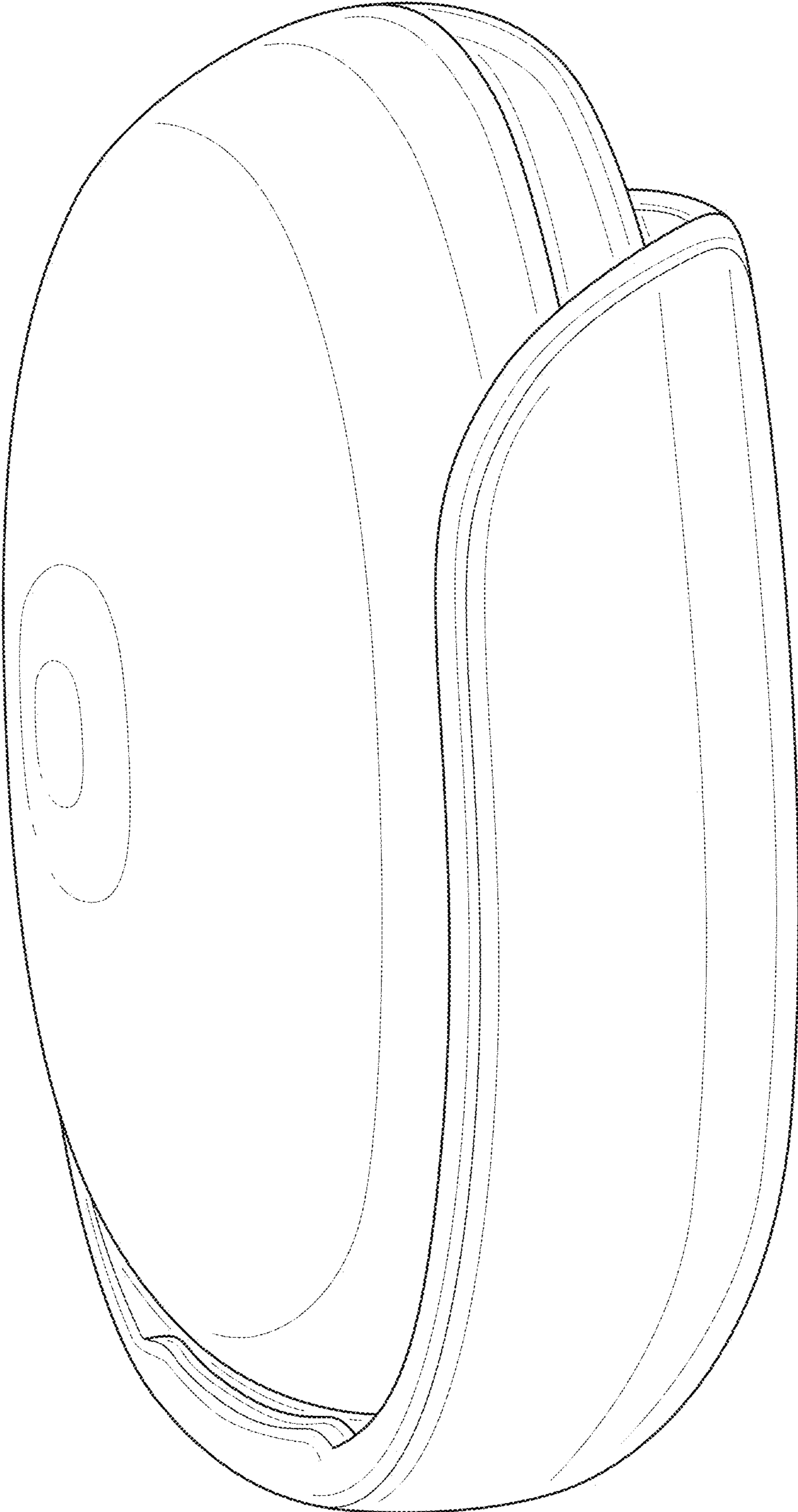


FIG. 10

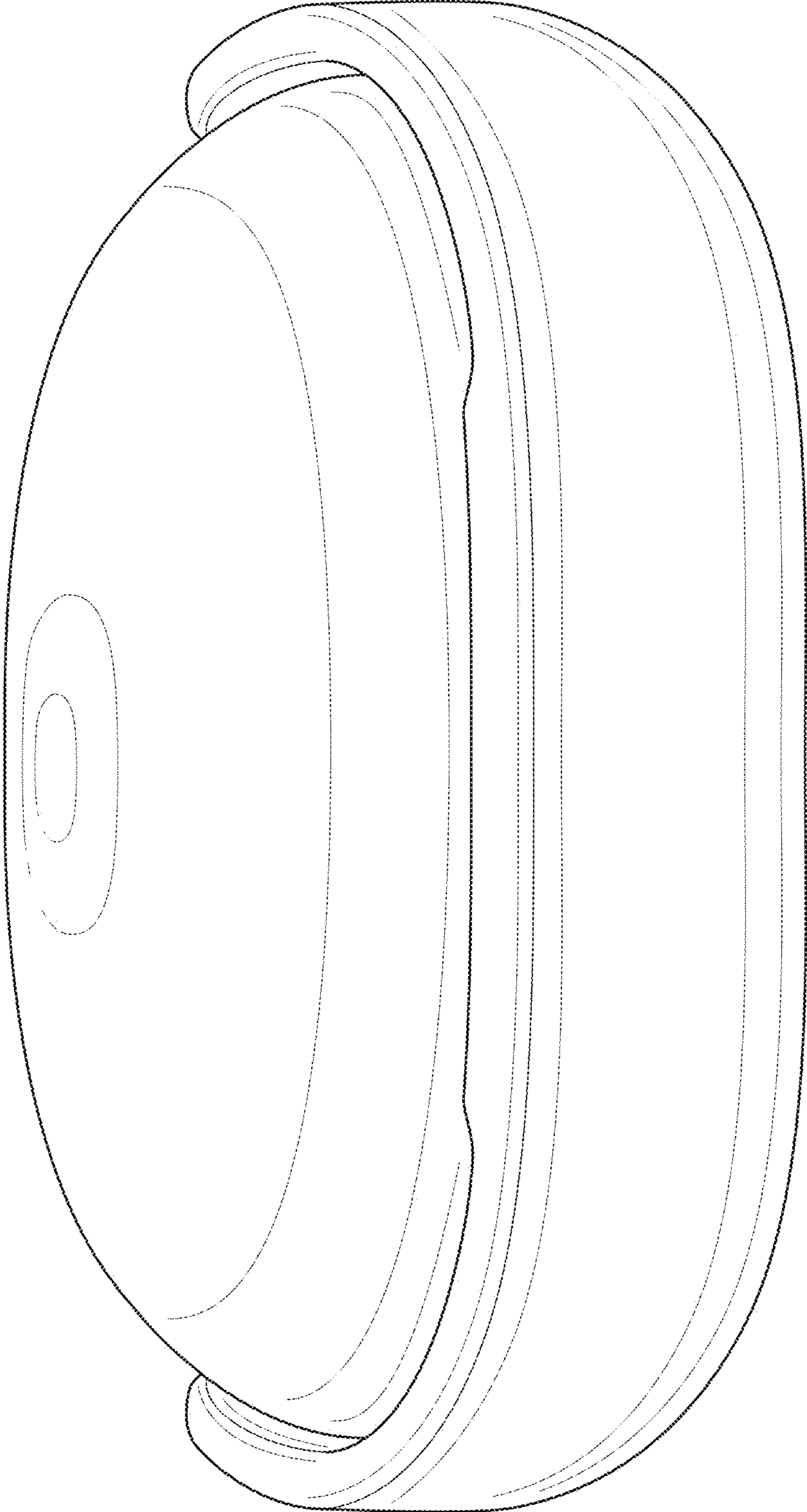


FIG. 11

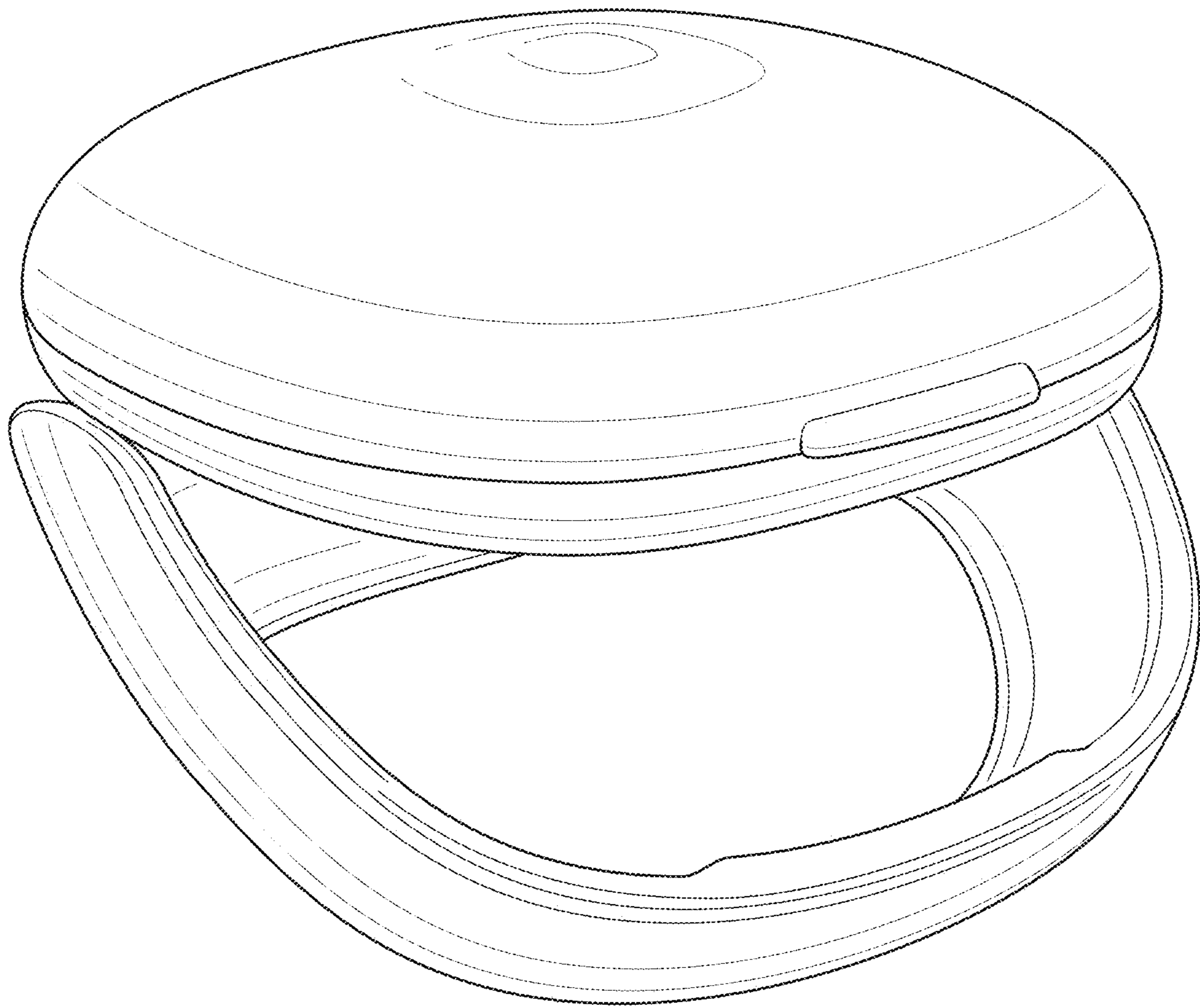


FIG. 12