



US00D915337S

(12) **United States Design Patent**  
**Lee et al.**

(10) **Patent No.:** **US D915,337 S**  
(45) **Date of Patent:** **\*\* Apr. 6, 2021**

(54) **MOBILE PHONE**

(71) Applicant: **LG Electronics Inc.**, Seoul (KR)

(72) Inventors: **Jonghak Lee**, Seoul (KR); **Kiyéal Seo**, Seoul (KR); **Joungyoung Joung**, Seoul (KR); **Jinwan Bae**, Seoul (KR)

(73) Assignee: **LG Electronics Inc.**, Seoul (KR)

(\*\*) Term: **15 Years**

(21) Appl. No.: **35/507,949**

(22) Filed: **May 27, 2019**

(80) **Hague Agreement Data**

Int. Filing Date: **May 27, 2019**  
Int. Reg. No.: **DM/203816**  
Int. Reg. Date: **May 27, 2019**  
Int. Reg. Pub. Date: **Nov. 29, 2019**

(30) **Foreign Application Priority Data**

Nov. 30, 2018 (KR) ..... 30-2018-0056416

(51) **LOC (13) Cl.** ..... **14-03**

(52) **U.S. Cl.**  
USPC ..... **D14/138 AD**; D14/345

(58) **Field of Classification Search**  
USPC ..... D14/138, 138 C, 138 AA, 138 G, 203.1, D14/203.3, 203.5, 203.7, 248, 341, 345, D14/496; D21/329, 517  
CPC . G06F 1/1626; H04M 1/0266; H04M 1/0202; H04M 1/026  
See application file for complete search history.

(56) **References Cited**

**U.S. PATENT DOCUMENTS**

D597,055 S \* 7/2009 Ladouceur ..... D14/138 AB  
D681,000 S \* 4/2013 Koh ..... D14/203.4

D708,180 S \* 7/2014 Lee ..... D14/345  
D716,751 S \* 11/2014 Lee ..... D14/138 AB  
D769,209 S \* 10/2016 Byun ..... D14/138 AB

(Continued)

**OTHER PUBLICATIONS**

Royole FlexPai—World’s First Foldable Tablet Announced, publication date Oct. 31, 2018, [online][site visited Aug. 21, 2020] URL: <https://tabletmonkeys.com/royole-flexpai-worlds-the-first-foldable-tablet-announced/> (Year : 2018).\*

(Continued)

*Primary Examiner* — L. A. Grabenstetter

(74) *Attorney, Agent, or Firm* — Birch, Stewart, Kolasch & Birch, LLP

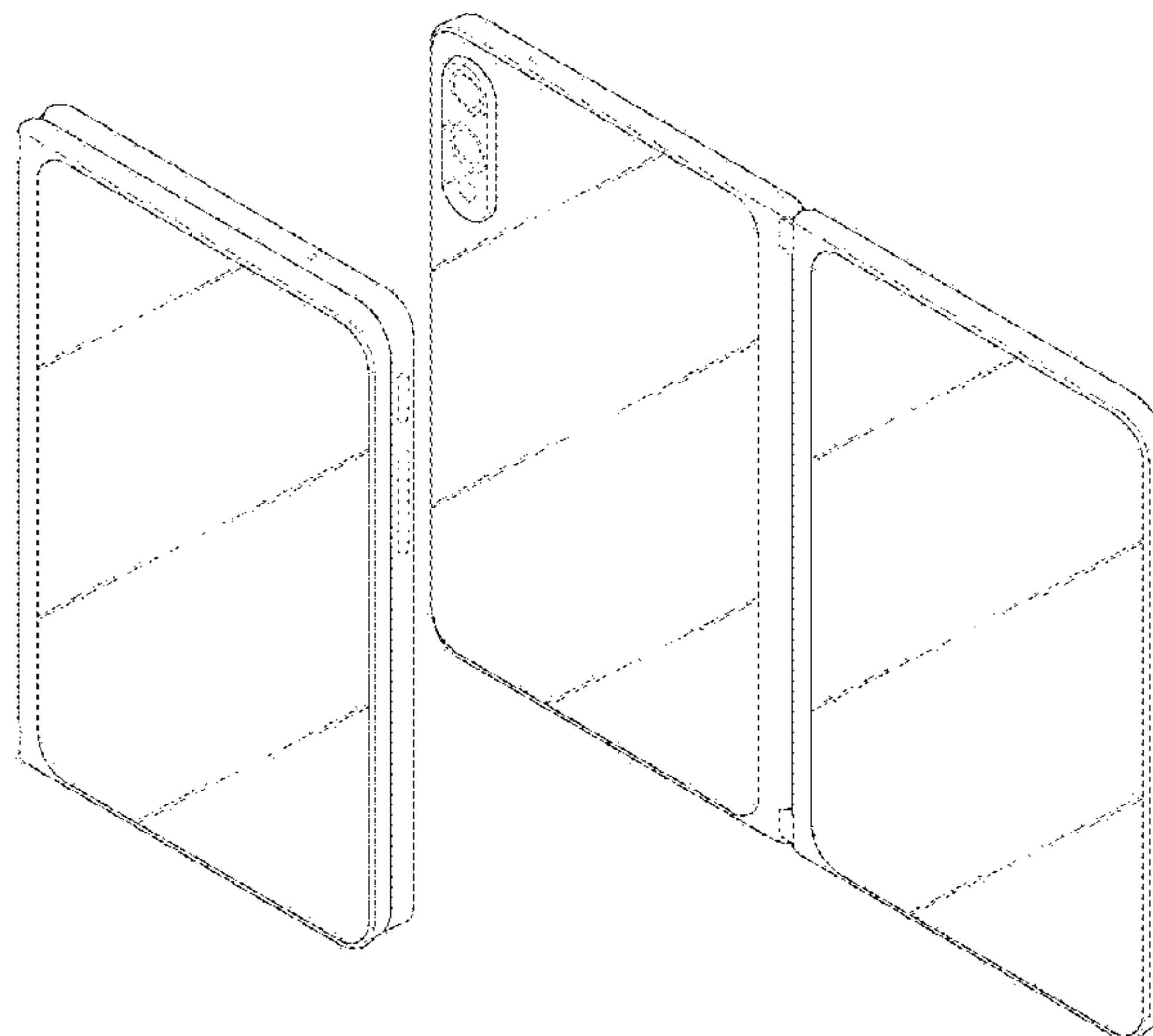
(57) **CLAIM**

The ornamental design for a mobile phone, as shown and described.

**DESCRIPTION**

- 1. Mobile phone
  - 1.1 : Front Perspective View shown in a folded state
  - 1.2 Front View shown in a folded state
  - 1.3 Back View shown in a folded state
  - 1.4 Left View shown in a folded state
  - 1.5 Right View shown in a folded state
  - 1.6 Top View shown in a folded state
  - 1.7 Bottom View shown in a folded state
  - 1.8 Back Perspective View shown in a folded state
  - 1.9 Front Perspective View shown in a fully unfolded state
  - 1.10 Front View shown in a fully unfolded state
  - 1.11 Back View shown in a fully unfolded state
  - 1.12 Left View shown in a fully unfolded state
  - 1.13 Right View shown in a fully unfolded state
  - 1.14 Top View shown in a fully unfolded state
  - 1.15 Bottom View shown in a fully unfolded state
  - 1.16 Back Perspective View shown in a fully unfolded state
- The broken lines depict portions of the mobile phone that form no part of the claimed design.

**1 Claim, 16 Drawing Sheets**



(56)

References Cited

U.S. PATENT DOCUMENTS

D770,448 S \* 11/2016 Endo ..... D14/371  
 D772,225 S \* 11/2016 Kim ..... D14/341  
 D786,210 S \* 5/2017 Lee ..... D14/138 AB  
 D788,726 S \* 6/2017 Lee ..... D14/138 AB  
 D788,774 S \* 6/2017 Seo ..... D14/345  
 D791,725 S \* 7/2017 Lee ..... D14/138 AB  
 D791,753 S \* 7/2017 Bae ..... D14/248  
 D795,861 S \* 8/2017 Seo ..... D14/341  
 D798,257 S \* 9/2017 Choo ..... D14/138 AB  
 D827,604 S \* 9/2018 Seo ..... D14/138 AB  
 D828,318 S \* 9/2018 Seo ..... D14/138 AB  
 D828,319 S \* 9/2018 Seo ..... D14/138 AB  
 D839,267 S \* 1/2019 Park ..... D14/345  
 D847,134 S \* 4/2019 Yamazaki ..... D14/345  
 D848,416 S \* 5/2019 Yamazaki ..... D14/345  
 D859,347 S \* 9/2019 Kwon ..... D14/138 AB  
 2014/0218321 A1 \* 8/2014 Lee ..... G06F 1/1643  
 345/173  
 2016/0132074 A1 \* 5/2016 Kim ..... G06F 1/1652  
 715/769  
 2017/0357289 A1 \* 12/2017 Ahn ..... G06F 1/1652  
 2018/0329460 A1 \* 11/2018 Song ..... G06F 1/1681  
 2018/0373297 A1 \* 12/2018 Liao ..... G06F 1/1601

OTHER PUBLICATIONS

TCL's folding phone prototypes leaked a little early, publication date Feb. 23, 2019, [online][site visited Aug. 20, 2020] URL:

<https://liliputing.com/2019/02/tcls-folding-phone-prototypes-leaked-a-little-early.html> (Year: 2019).\*

Android Circuit: Galaxy S11, Huawei Mate 30Pro , Razer Phone, publication date Aug. 30, 2019, [online][visited Aug. 20, 2020] URL: <https://www.forbes.com/sites/ewanspence/2019/08/30/android-google-news-galaxy-s11-galaxy-fold-nokia-update-fairphone-huawei-mate30pro-leak-rumor/#7265c946e4c4> (Year: 2019).\*

ZTE foldable smartphone likely to adopt a clamshell-style design, publication date Mar. 7, 2019, [online][site visited Aug. 20, 2020] URL: <https://www.gizmochina.com/2019/03/07/zte-foldable-smartphone-likely-to-adopt-a-clamshell-style-design/> (Year: 2019).\*

Samsung unveils new foldable flip-phone Galaxy Z fold, publication date Oct. 29, 2019, [online][site visited Aug. 21, 2020] URL: <https://www.youtube.com/watch?v=11w414OqrrE> (Year: 2019).\*

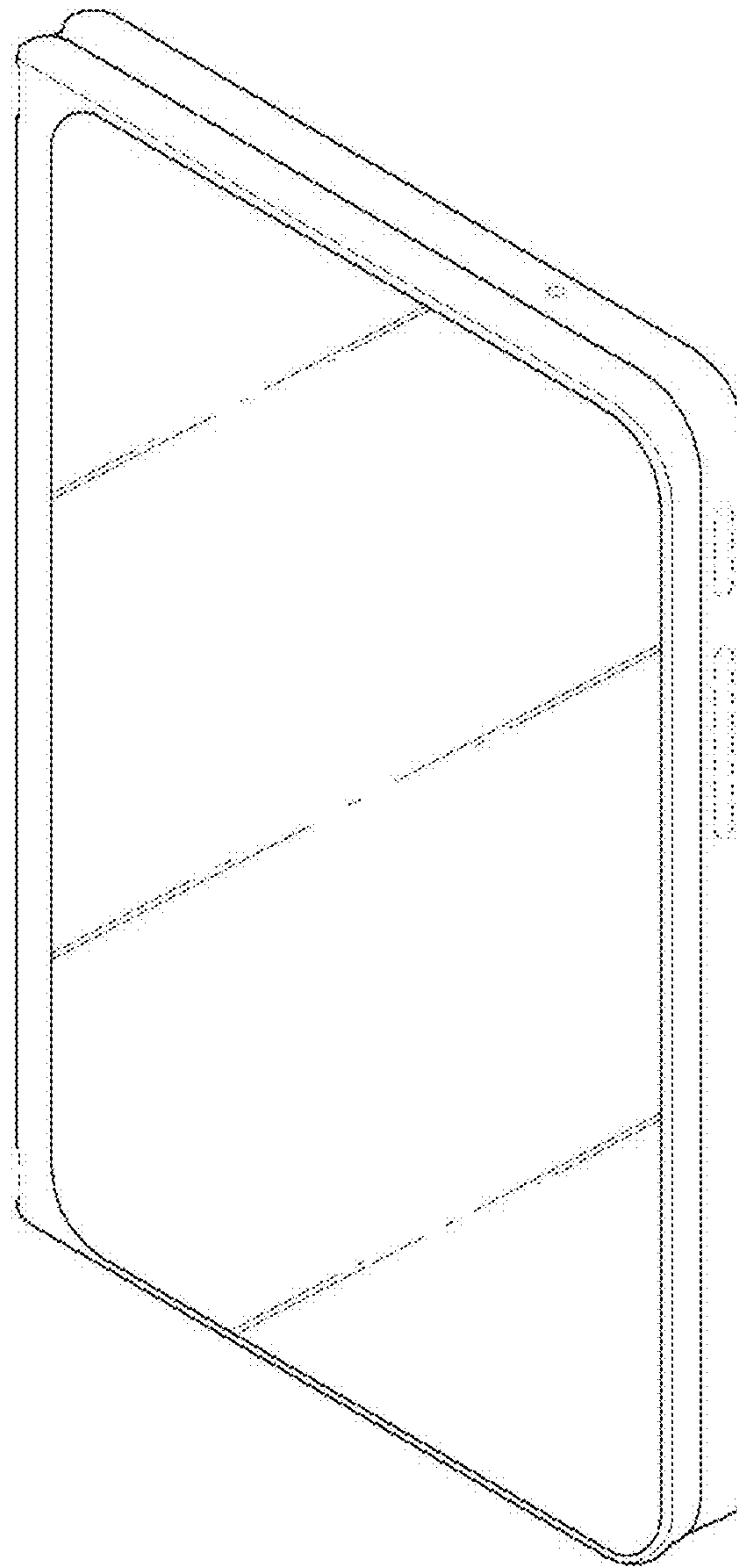
Wait, What? Deceased Colombian Drug Lord's Company Is Now Selling A Folding Smartphone?, publication date Dec. 4, 2019, [online][site visited Aug. 20, 2020] URL: <https://mikesouts.com/escobar-fold-1-folding-smartphone/> (Year: 2019).\*

Here's what a Samsung horizontal folding phone could look like, publication date Aug. 29, 2019, [online][site visited Oct. 21, 2020] URL: <https://www.pocket-lint.com/phones/news/samsung/149115-heres-what-a-samsung-horizontal-folding-phone-looks-like> (Year: 2019).\*

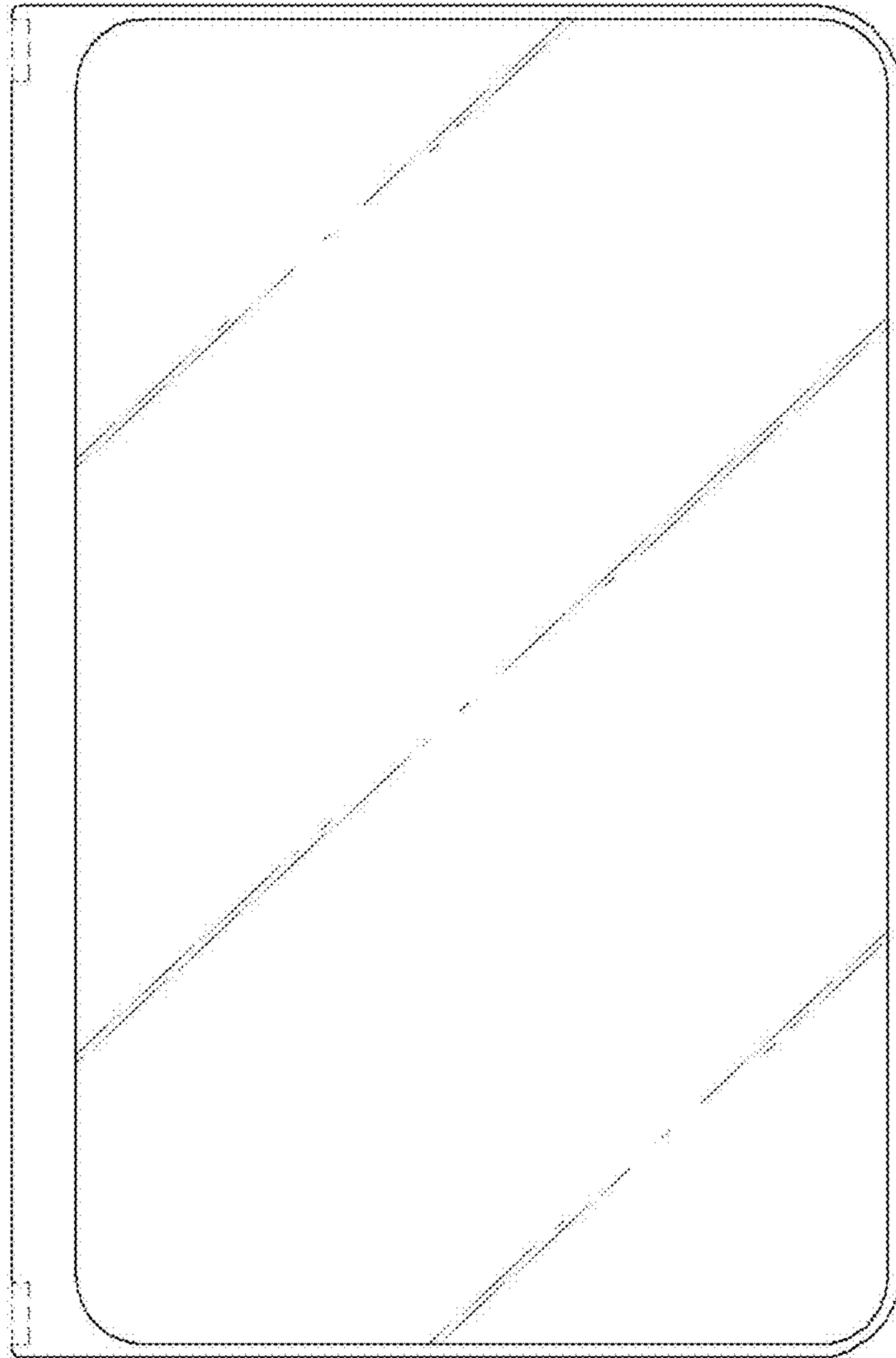
Xiaomi Alpha Flip, publication date Mar. 24, 2020, [online][site visited Oct. 21, 2020] URL: <https://www.concept-phones.com/xiaomi/xiaomi-mi-alpha-flip-is-finally-the-foldable-flip-phone-weve-been-waiting-for/> (Year: 2020).\*

\* cited by examiner

1.1

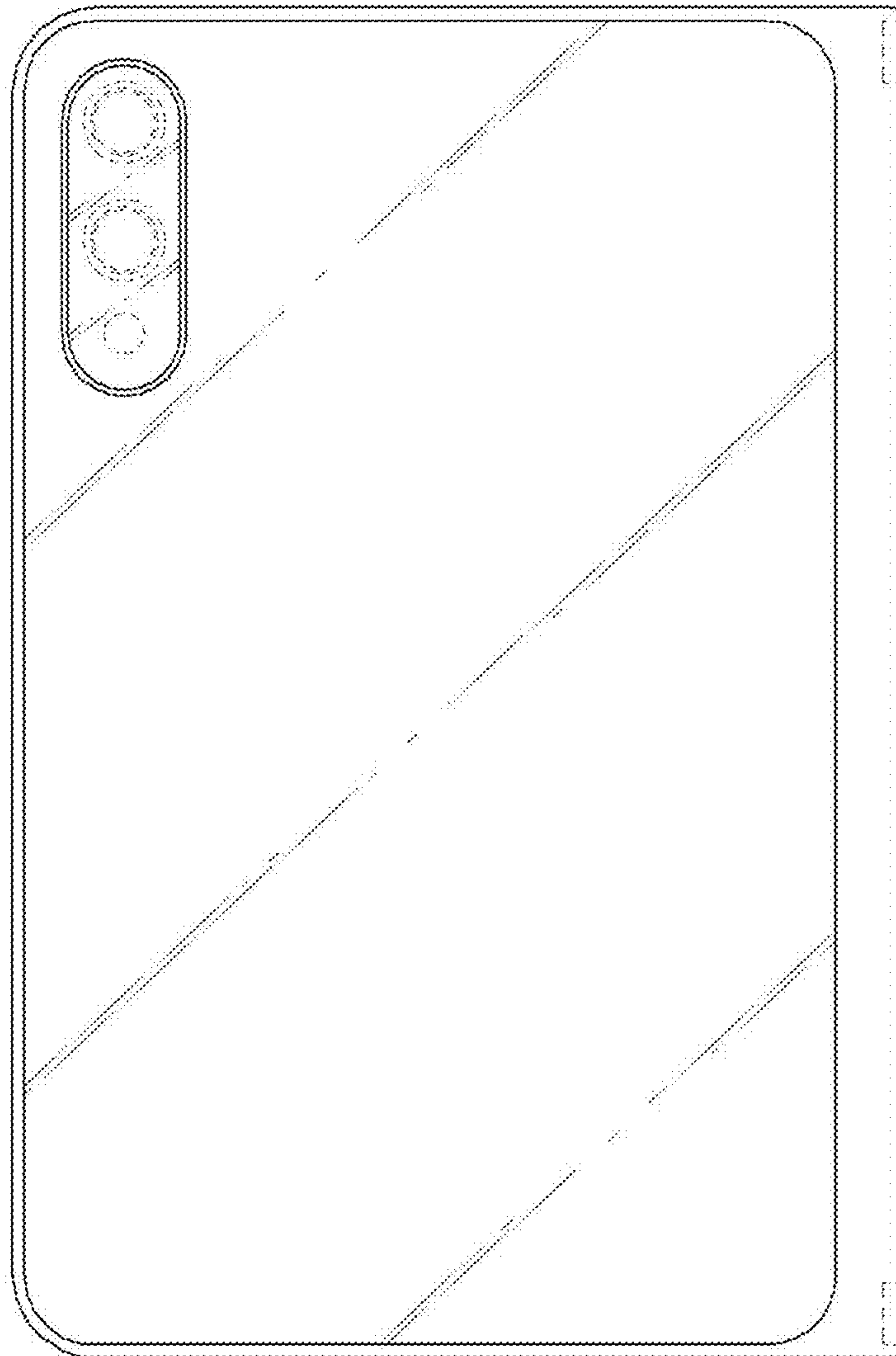


1.2

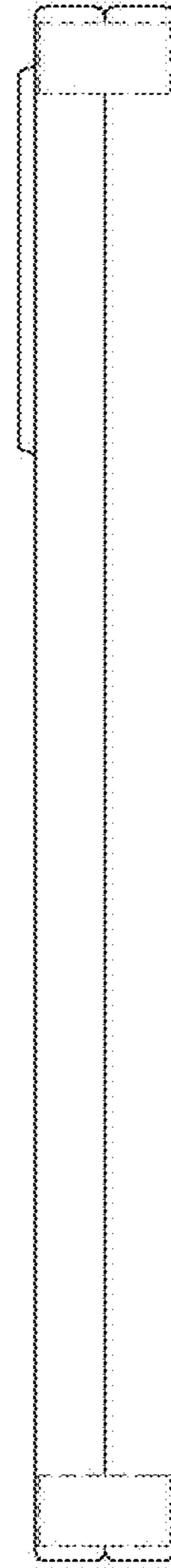




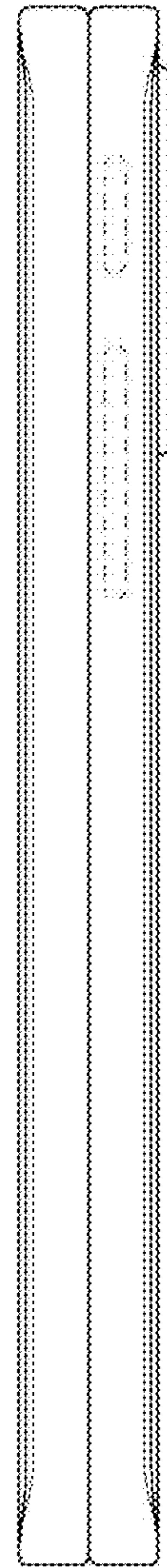
1.3



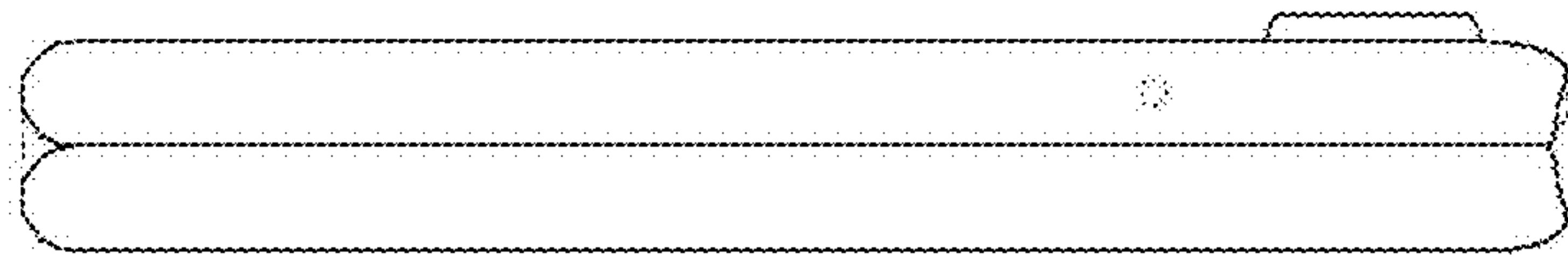
1.4



1.5

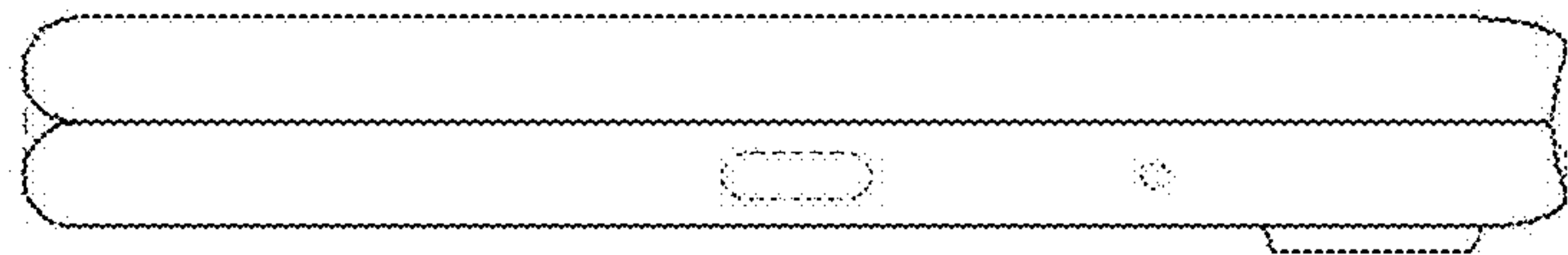


1.6

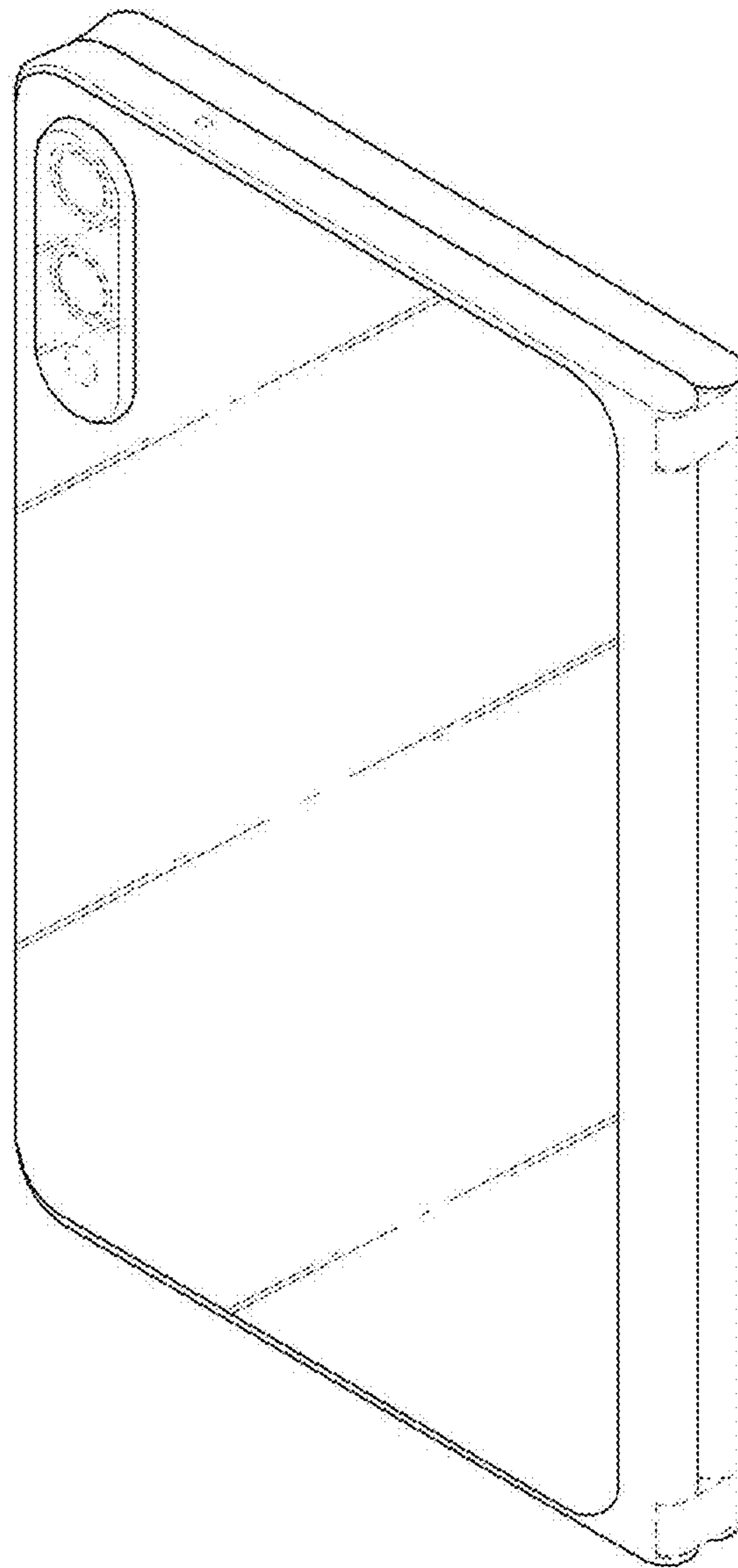




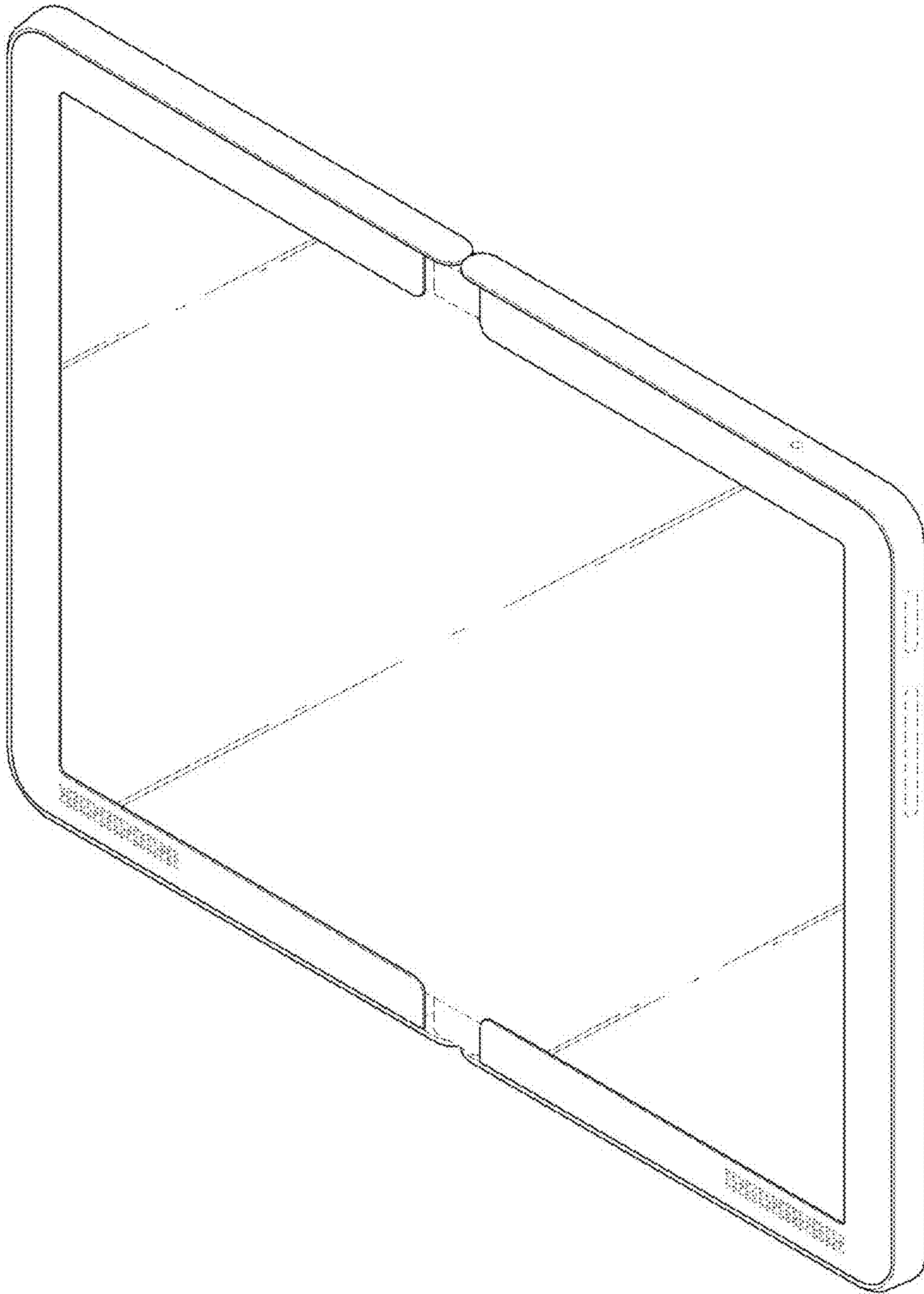
1.7



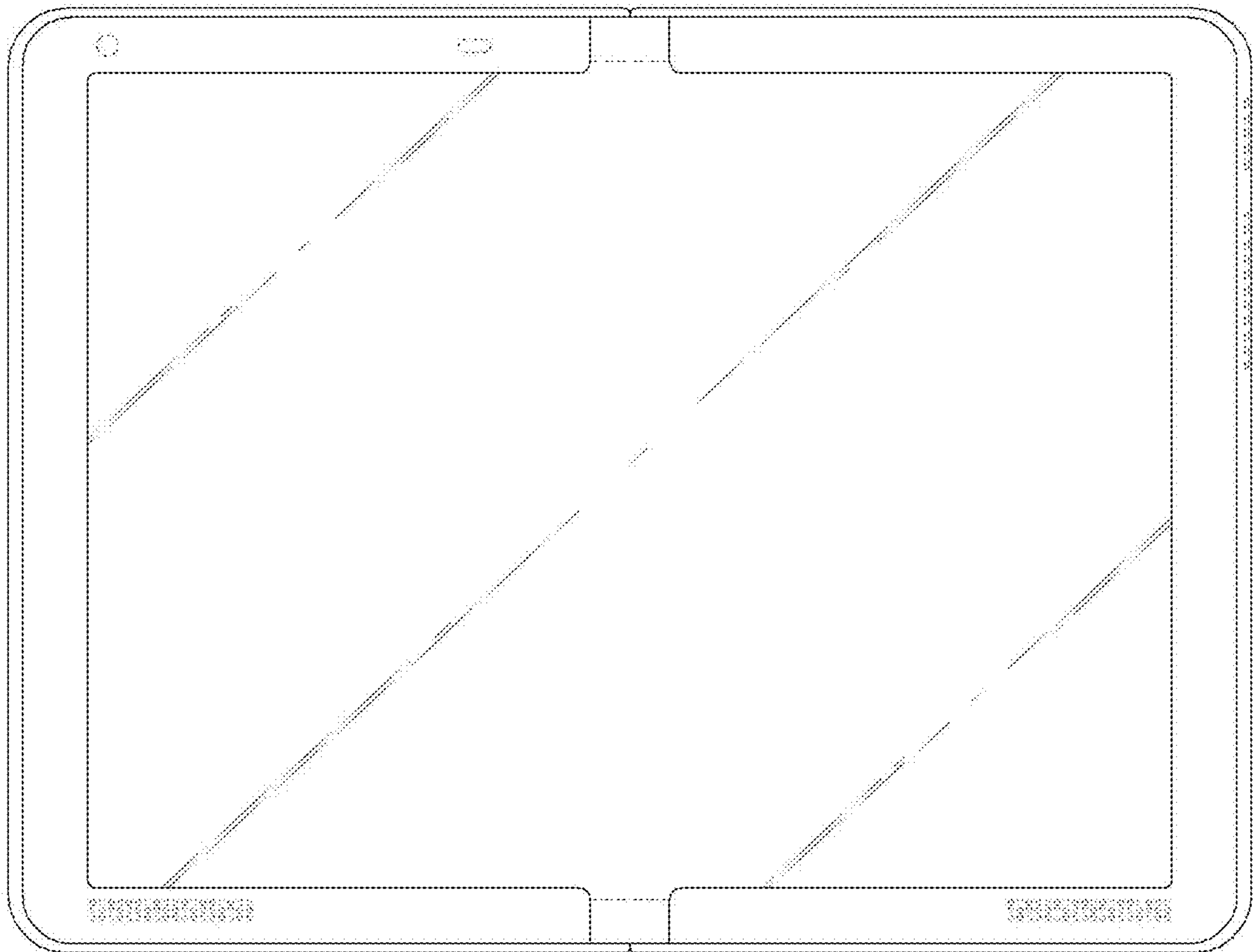
1.8



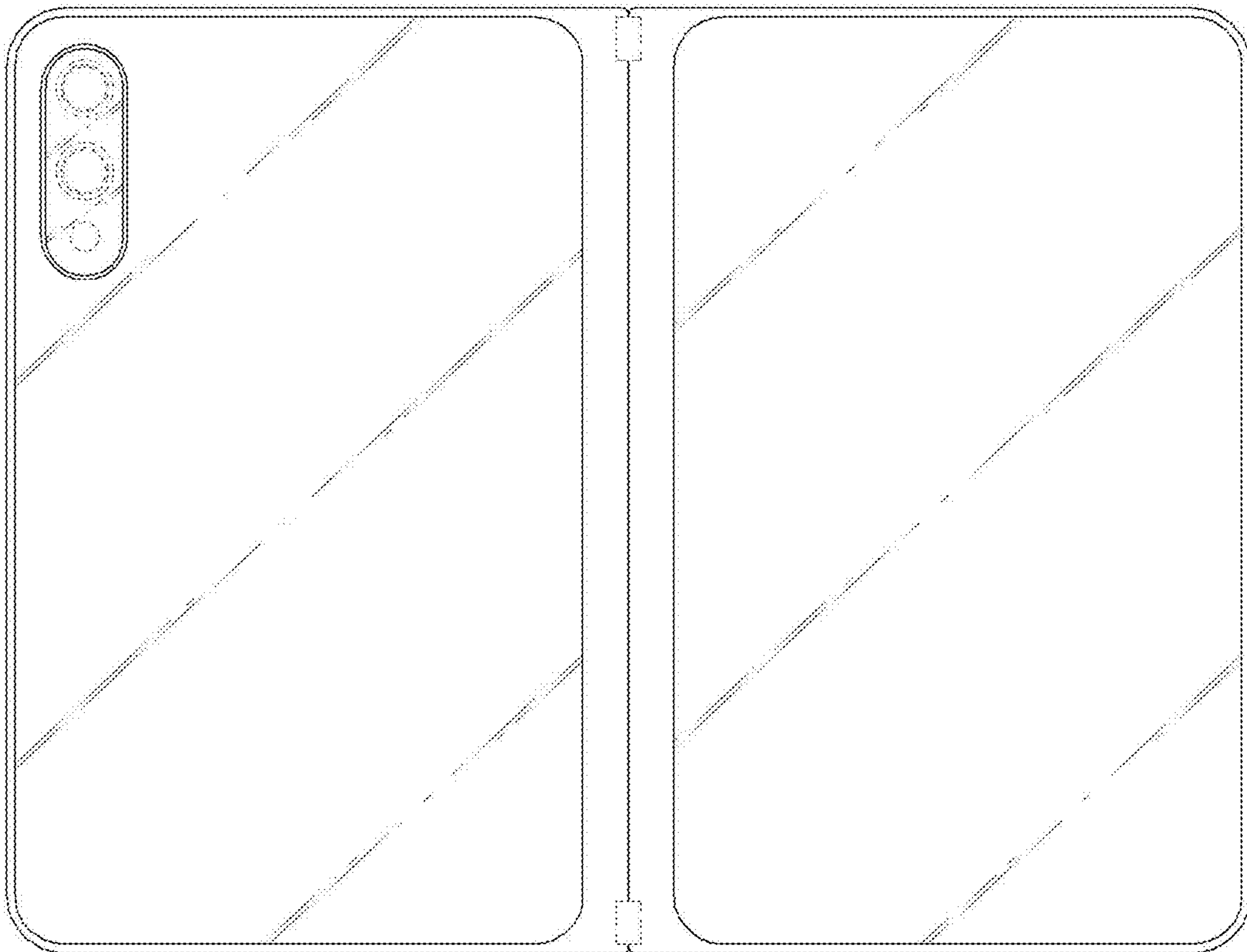
1.9



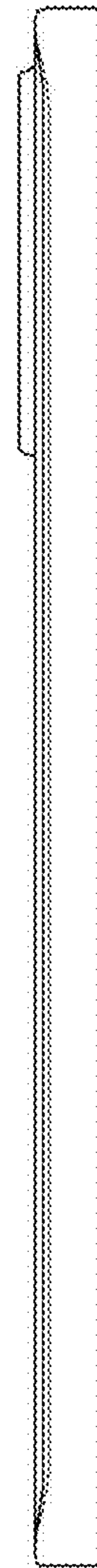
1.10



1.11

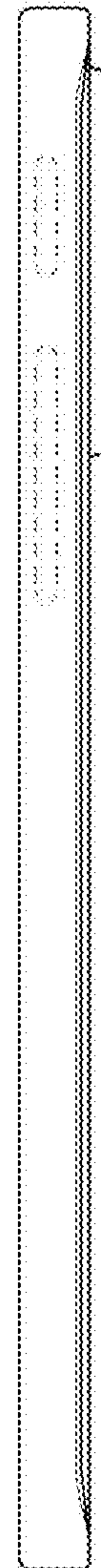


1.12





1.13



1.14



1.15



1.16

