



US00D915334S

(12) **United States Design Patent** (10) **Patent No.:** **US D915,334 S**
Lee et al. (45) **Date of Patent:** **** Apr. 6, 2021**

(54) **MOBILE PHONE**

(71) Applicant: **LG Electronics Inc.**, Seoul (KR)
(72) Inventors: **Jonghak Lee**, Seoul (KR); **Kiyeal Seo**, Seoul (KR); **Joungyoung Joung**, Seoul (KR); **Jinwan Bae**, Seoul (KR)
(73) Assignee: **LG ELECTRONICS INC.**, Seoul (KR)

(**) Term: **15 Years**

(21) Appl. No.: **35/507,925**

(22) Filed: **May 27, 2019**

(80) **Hague Agreement Data**

Int. Filing Date: **May 27, 2019**
Int. Reg. No.: **DM/203815**
Int. Reg. Date: **May 27, 2019**
Int. Reg. Pub. Date: **Nov. 29, 2019**

(30) **Foreign Application Priority Data**

Nov. 29, 2018 (KR) 30-2018-0055940

(51) **LOC (13) Cl.** **14-03**

(52) **U.S. Cl.**
USPC **D14/138 AD; D14/345**

(58) **Field of Classification Search**
USPC D14/138, 138 C, 138 AA, 138 G, 203.1, D14/203.3, 203.5, 203.7, 248, 341, 345, D14/496; D21/329, 517
CPC . G06F 1/1626; H04M 1/0266; H04M 1/0202; H04M 1/026
See application file for complete search history.

(56) **References Cited**

U.S. PATENT DOCUMENTS

D597,055 S * 7/2009 Ladouceur D14/138 AB
D681,000 S * 4/2013 Koh D14/203.4
D708,180 S * 7/2014 Lee D14/345
D716,751 S * 11/2014 Lee D14/138 AB

(Continued)

OTHER PUBLICATIONS

Royole FlexPai—World’s First Foldable Tablet Announced, publication date Oct. 31, 2018, [online][site visited Aug. 21, 2020] URL: <https://tabletmonkeys.com/royole-flexpai-worlds-the-first-foldable-tablet-announced/> (Year: 2018).* TCL’s folding phone prototypes leaked a little early, publication date Feb. 23, 2019, [online][site visited Aug. 20, 2020] URL: <https://liliputing.com/2019/02/tcls-folding-phone-prototypes-leaked-a-little-early.html> (Year: 2019).*

(Continued)

Primary Examiner — L. A. Grabenstetter

(74) *Attorney, Agent, or Firm* — Birch, Stewart, Kolasch & Birch, LLP

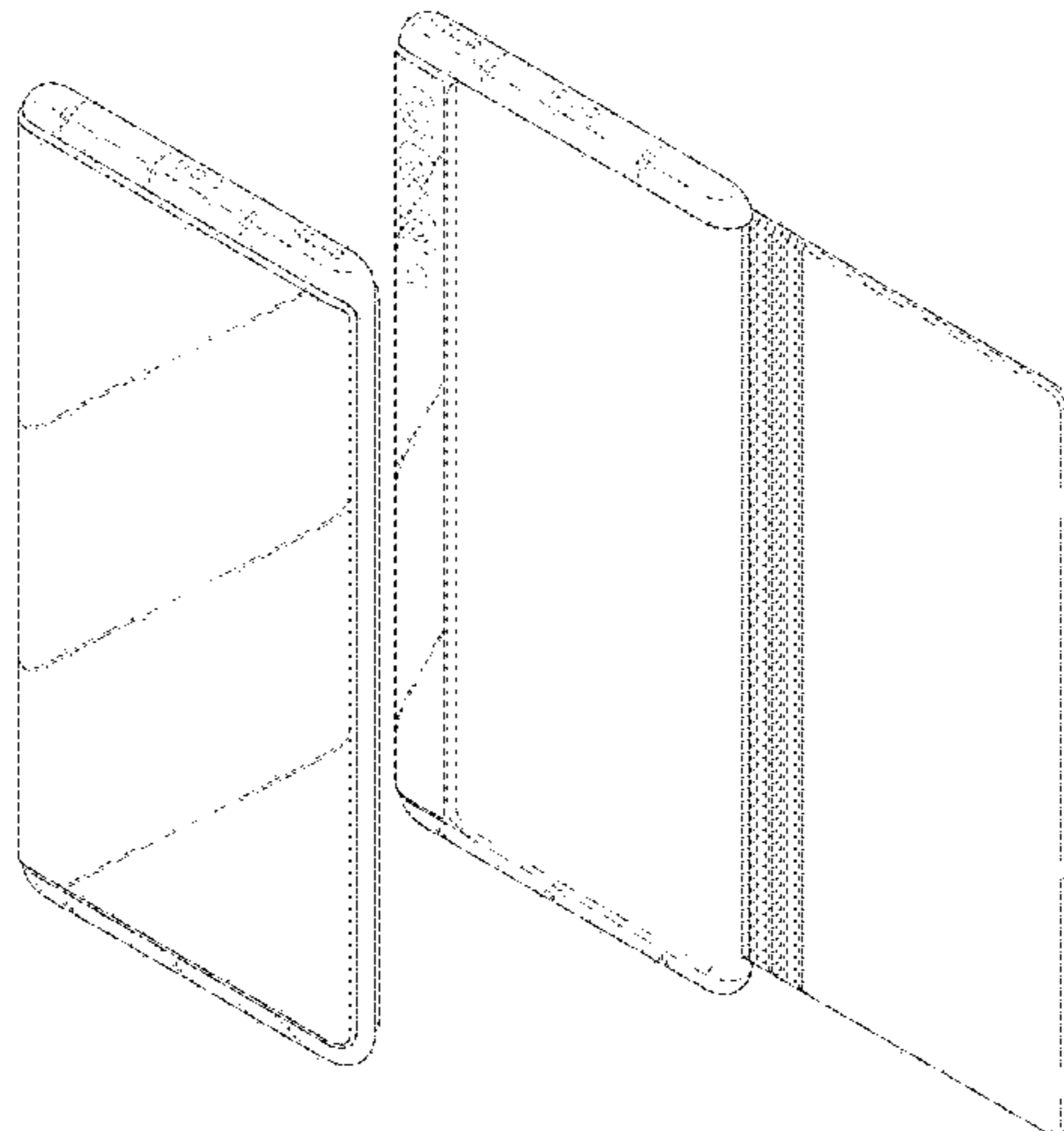
(57) **CLAIM**

The ornamental design for a mobile phone, as shown and described.

DESCRIPTION

1. Mobile phone
1.1 : Front Perspective View shown in a folded state
1.2 Front View shown in a folded state
1.3 Back View shown in a folded state
1.4 Left View shown in a folded state
1.5 Right View shown in a folded state
1.6 Top View shown in a folded state
1.7 Bottom View shown in a folded state
1.8 Back Perspective View shown in a folded state
1.9 Front Perspective View shown in a fully unfolded state
1.10 Front View shown in a fully unfolded state
1.11 Back View shown in a fully unfolded state
1.12 Left View shown in a fully unfolded state
1.13 Right View shown in a fully unfolded state
1.14 Top View shown in a fully unfolded state
1.15 Bottom View shown in a fully unfolded state
1.16 Back Perspective View shown in a fully unfolded state
The broken lines depict portions of the mobile phone that form no part of the claimed design.

1 Claim, 16 Drawing Sheets



(56)

References Cited

U.S. PATENT DOCUMENTS

D769,209 S * 10/2016 Byun D14/138 AB
 D770,448 S * 11/2016 Endo D14/371
 D772,225 S * 11/2016 Kim D14/341
 D786,210 S * 5/2017 Lee D14/138 AB
 D788,726 S * 6/2017 Lee D14/138 AB
 D788,774 S * 6/2017 Seo D14/345
 D791,725 S * 7/2017 Lee D14/138 AB
 D791,753 S * 7/2017 Bae D14/248
 D795,861 S * 8/2017 Seo D14/341
 D798,257 S * 9/2017 Choo D14/138 AB
 D827,604 S * 9/2018 Seo D14/138 AB
 D828,318 S * 9/2018 Seo D14/138 AB
 D828,319 S * 9/2018 Seo D14/138 AB
 D839,267 S * 1/2019 Park D14/345
 D847,134 S * 4/2019 Yamazaki D14/345
 D848,416 S * 5/2019 Yamazaki D14/345
 D859,347 S * 9/2019 Kwon D14/138 AB
 2014/0218321 A1 * 8/2014 Lee G06F 1/1643
 345/173
 2016/0132074 A1 * 5/2016 Kim G06F 1/1652
 715/769
 2017/0357289 A1 * 12/2017 Ahn G06F 1/1652
 2018/0329460 A1 * 11/2018 Song G06F 1/1681
 2018/0373297 A1 * 12/2018 Liao G06F 1/1601

OTHER PUBLICATIONS

Android Circuit: Galaxy 511, Huawei Mate 30Pro , Razer Phone, publication date Aug. 30, 2019, [online][visited Aug. 20, 2020] URL: <https://www.forbes.com/sites/ewanspence/2019/08/30/android-google-news-galaxy-s11-galaxy-fold-nokia-update-fairphone-huawei-mate30pro-leak-rumor/#7265c946e4c4> (Year: 2019).*

ZTE foldable smartphone likely to adopt a clamshell-style design, publication date Mar. 7, 2019, [online][site visited Aug. 20, 2020] URL: <https://www.gizmochina.com/2019/03/07/zte-foldable-smartphone-likely-to-adopt-a-clamshell-style-design/> (Year: 2019).*

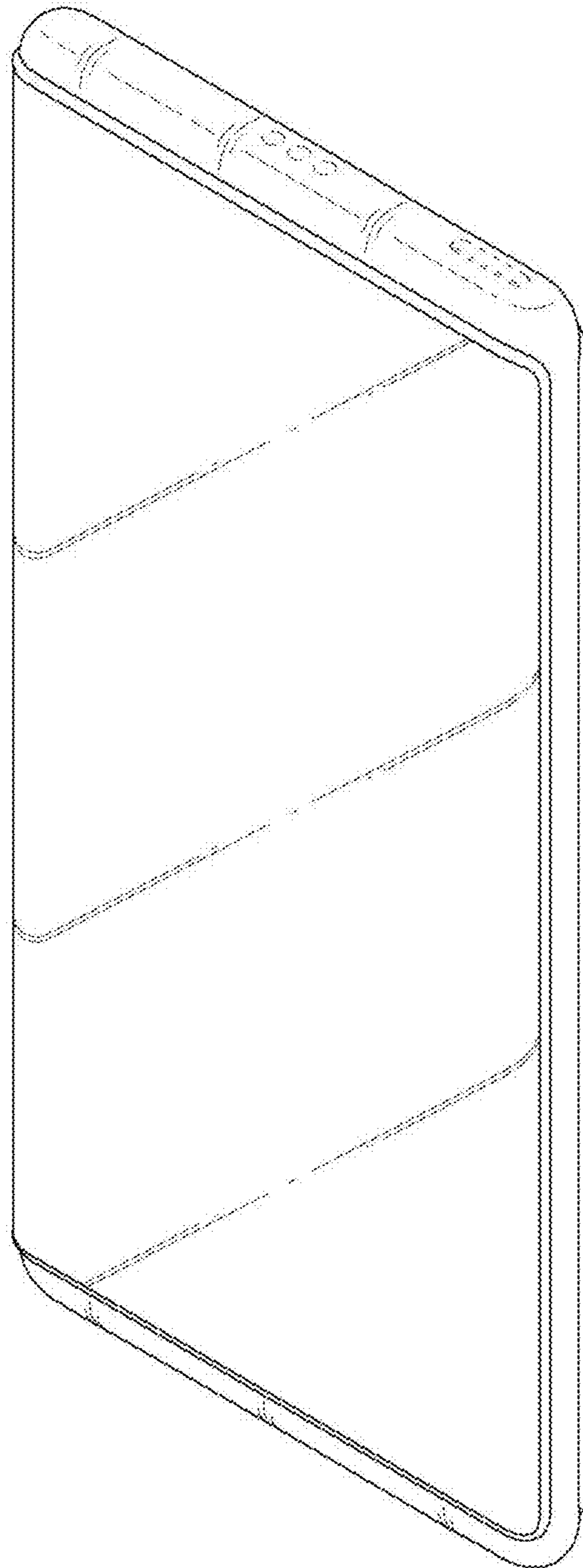
Samsung unveils new foldable flip-phone Galaxy Z fold, publication date Oct. 29, 2019, [online][site visited Aug. 21, 2020] URL: <https://www.youtube.com/watch?v=11w414OqrrE> (Year: 2019).*

Wait, What? Deceased Colombian Drug Lord's Company Is Now Selling A Folding Smartphone?, publication date Dec. 4, 2019, [online][site visited Aug. 20, 2020] URL: <https://mikesouts.com/escobar-fold-1-folding-smartphone/> (Year: 2019).*

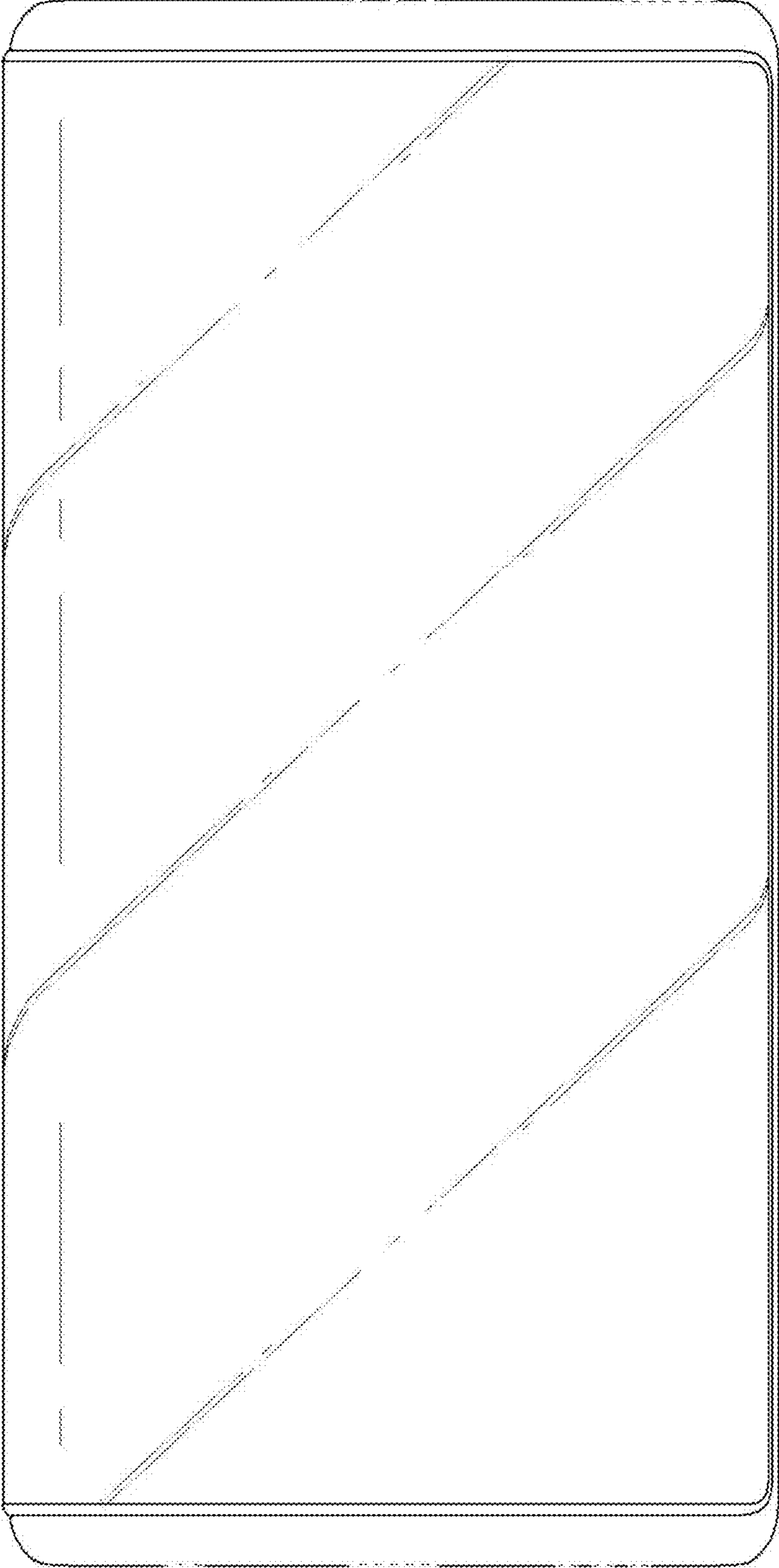
Here's what a Samsung horizontal folding phone could look like, publication date Aug. 29, 2019, [online][site visited Oct. 21, 2020] URL: <https://www.pocket-lint.com/phones/news/samsung/149115-heres-what-a-samsung-horizontal-folding-phone-looks-like> (Year: 2019).*

* cited by examiner

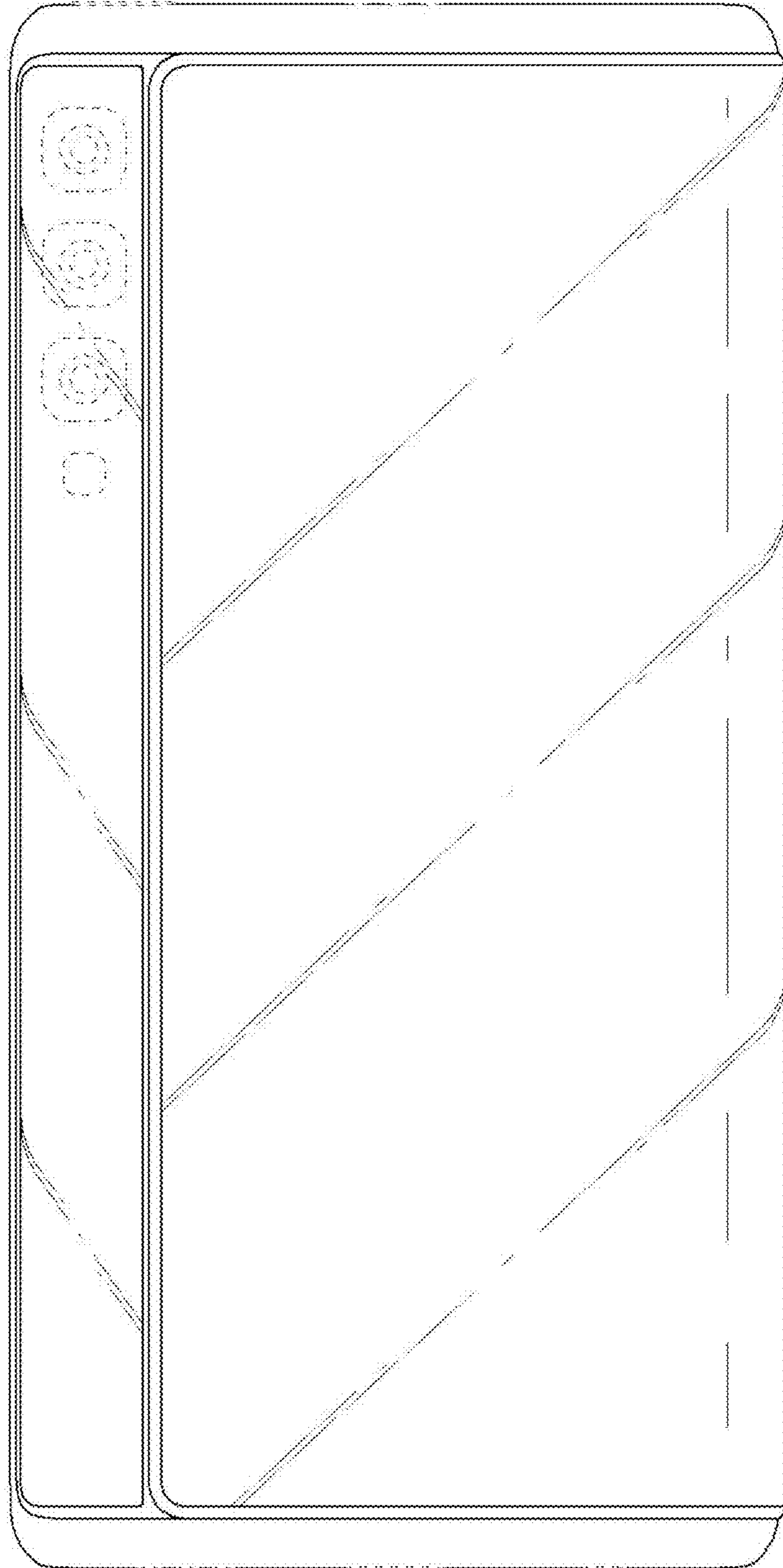
1.1



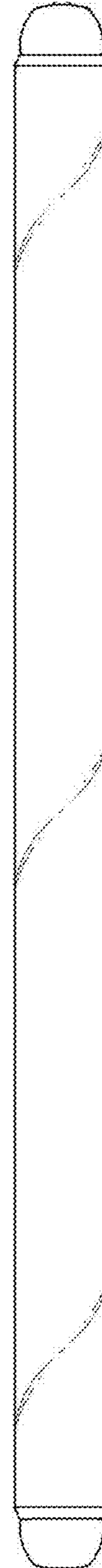
1.2



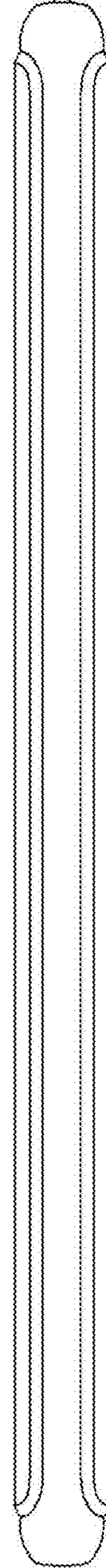
1.3



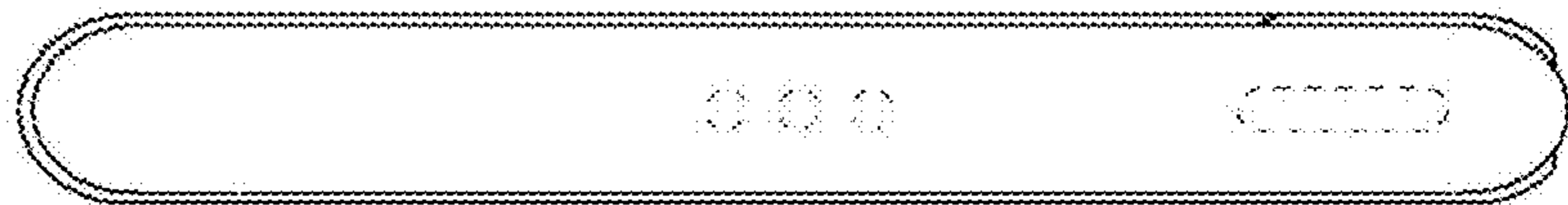
1.4



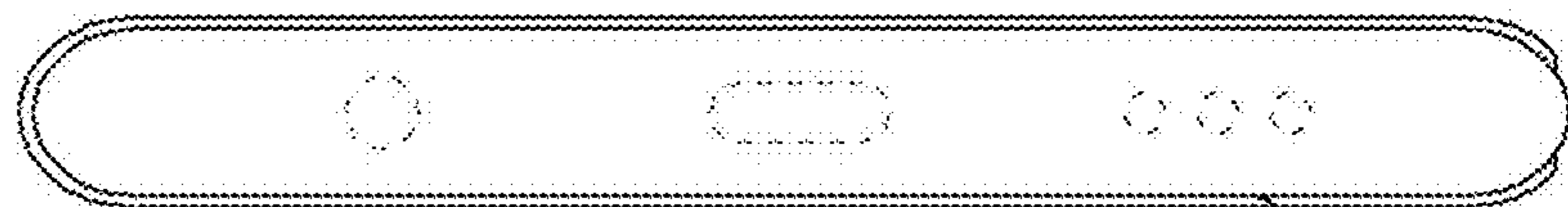
1.5



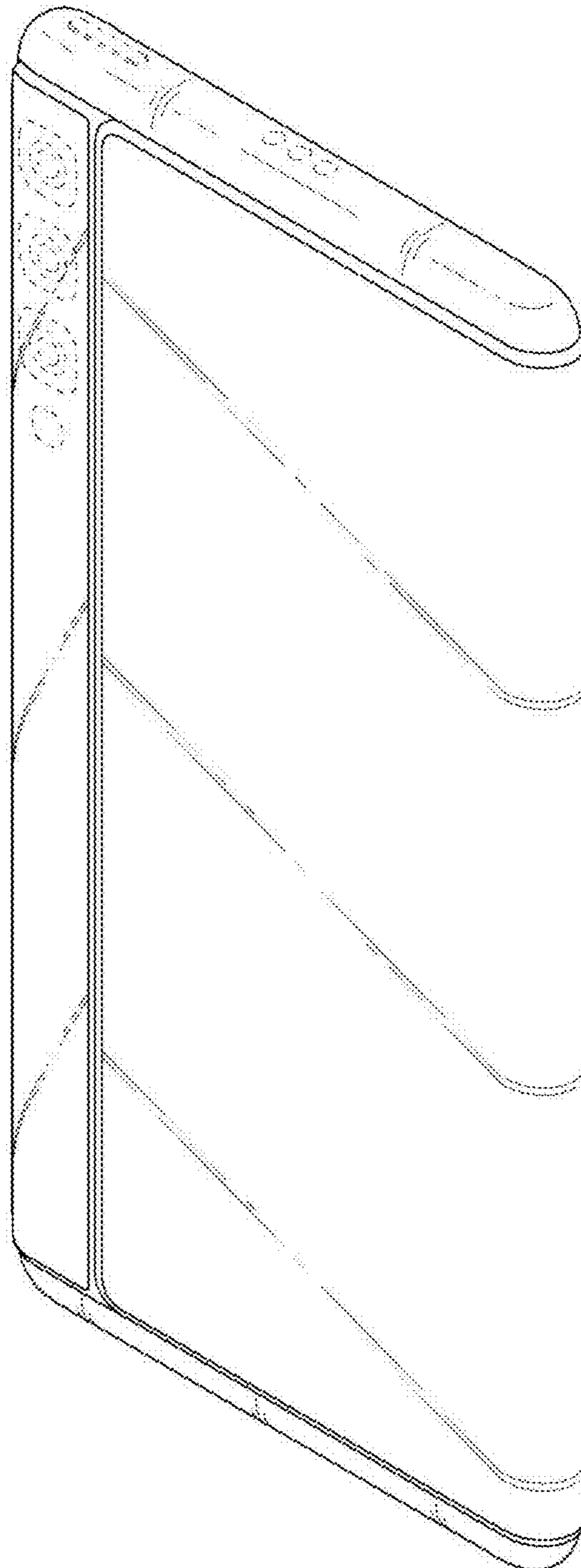
1.6



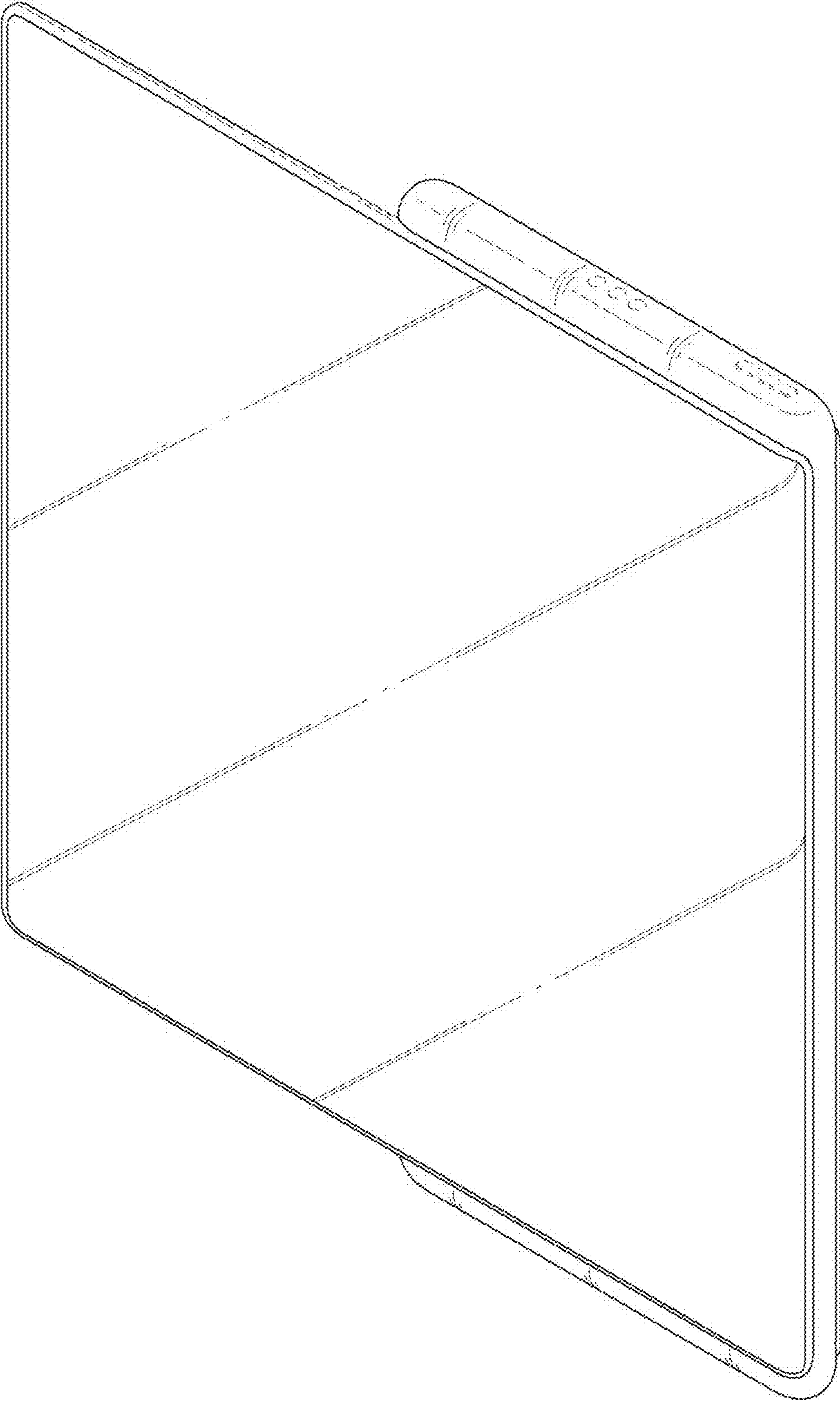
1.7



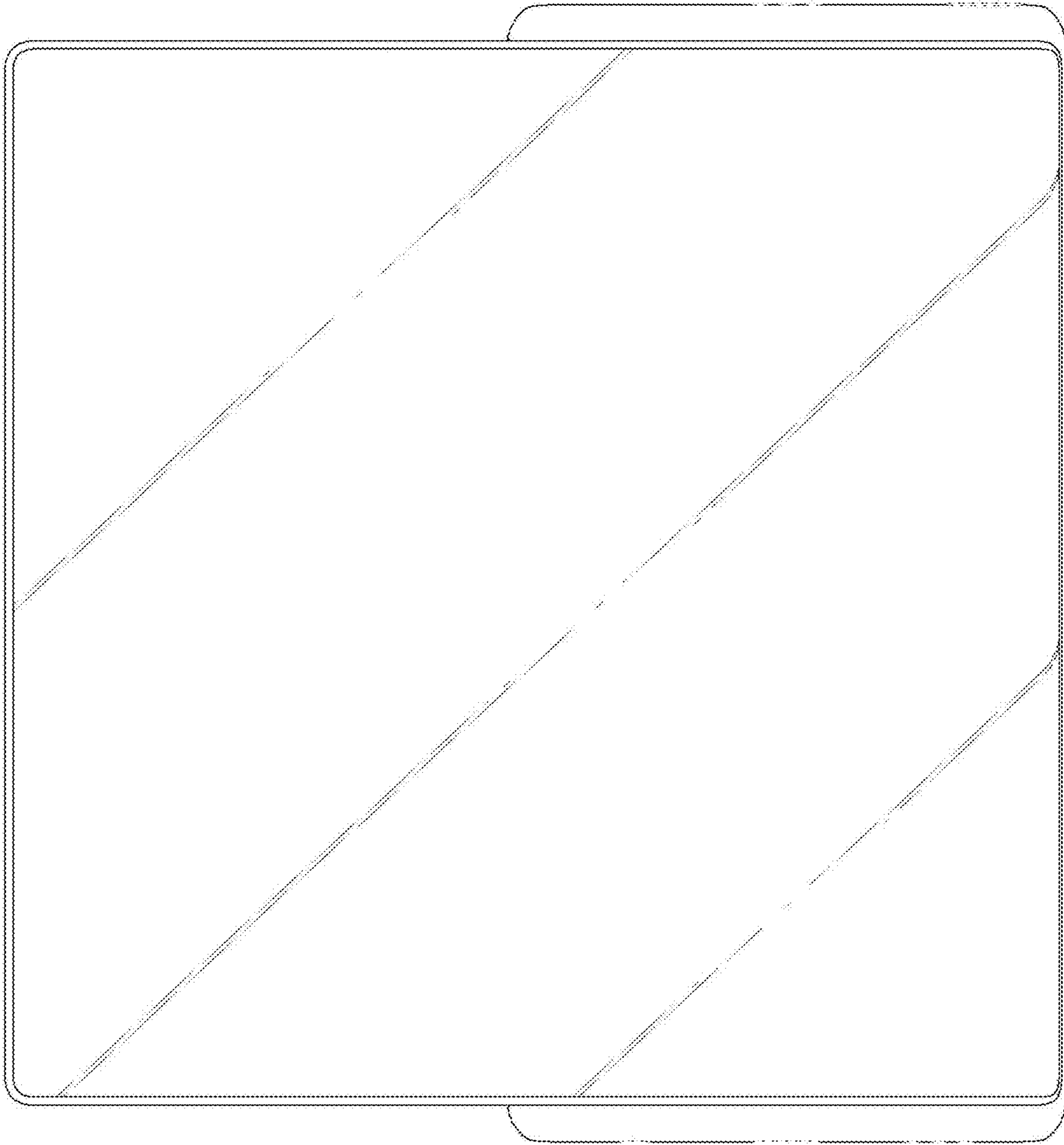
1.8



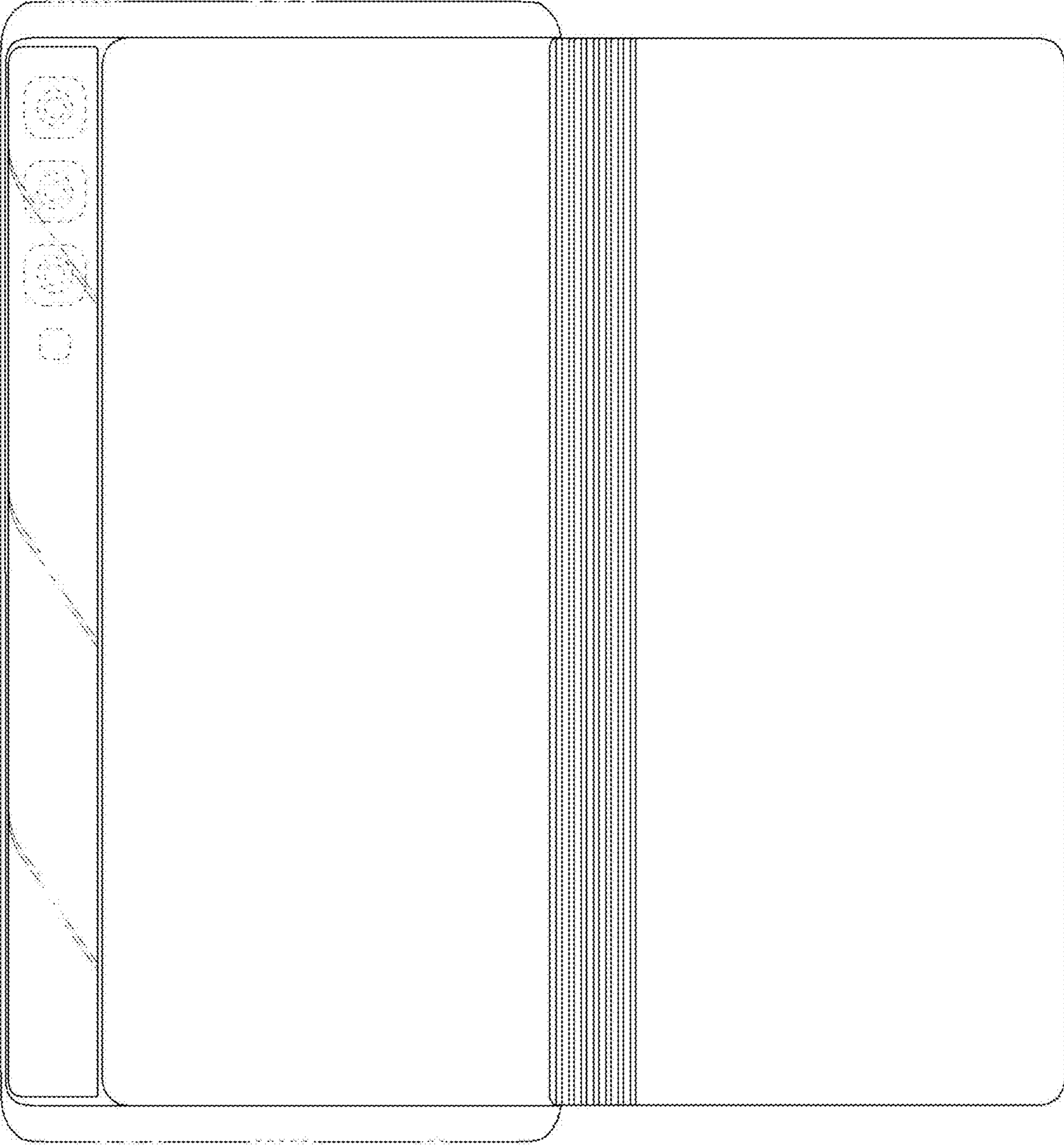
1.9



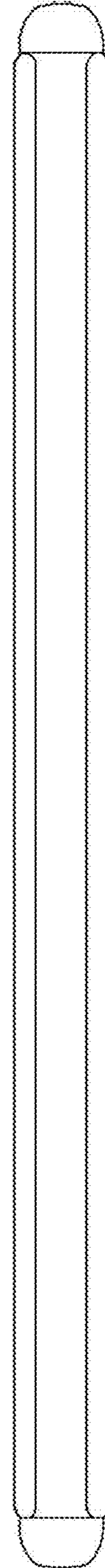
1.10



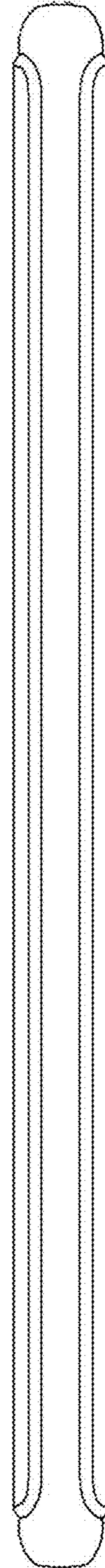
1.11



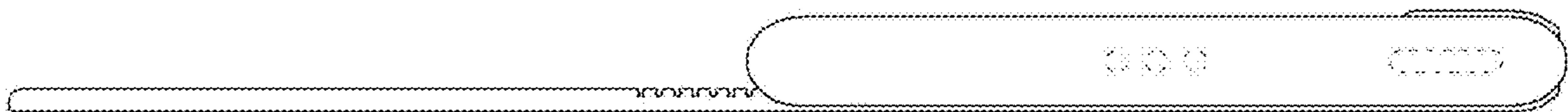
1.12



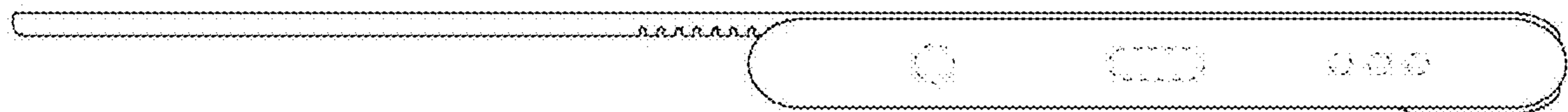
1.13



1.14



1.15



1.16

