



US00D915319S

(12) **United States Design Patent**  
**Tschopp**

(10) **Patent No.:** **US D915,319 S**

(45) **Date of Patent:** **\*\* Apr. 6, 2021**

(54) **COMMUNICATION DEVICE**

(71) Applicant: **Black & Decker Inc.**, New Britain, CT (US)

(72) Inventor: **Tylan A. Tschopp**, Baltimore, MD (US)

(73) Assignee: **BLACK & DECKER INC.**, New Britain, CT (US)

(\*\*) Term: **15 Years**

(21) Appl. No.: **29/659,753**

(22) Filed: **Aug. 11, 2018**

(51) **LOC (13) Cl.** ..... **14-03**

(52) **U.S. Cl.**  
USPC ..... **D14/137**

(58) **Field of Classification Search**  
USPC ..... D14/137, 138 AA, 147, 148, 218, 155,  
D14/159, 142, 225, 226, 191, 188, 192,  
D14/194-198; D21/517; D10/104.1,  
D10/104.2, 106.1, 65; D13/168;  
D30/199  
CPC ..... H04B 1/3833; H04B 1/3827; H04B  
2001/3861; H04M 1/0202; H04M 1/03;  
H04M 1/035; G08B 21/0202  
See application file for complete search history.

(56) **References Cited**

**U.S. PATENT DOCUMENTS**

D395,882 S *	7/1998	Oross	.....	D14/137
D412,501 S *	8/1999	Tyneski	.....	D14/137
D475,941 S *	6/2003	Williams	.....	D10/104.1
D486,806 S *	2/2004	Takayama	.....	D14/137
D514,527 S *	2/2006	DiPasquale	.....	D13/168
D564,998 S *	3/2008	Tran	.....	D14/137
D576,128 S *	9/2008	Tran	.....	D14/137
D607,847 S *	1/2010	Elliott	.....	D13/168
D677,230 S *	3/2013	Ooi	.....	D14/137

D700,148 S *	2/2014	Paul	.....	D13/168
D700,158 S *	2/2014	Kang	.....	D14/137
D719,708 S *	12/2014	Ye	.....	D30/199

(Continued)

**FOREIGN PATENT DOCUMENTS**

CN	303159693	*	4/2015
EM	0080009179-0001	*	7/2020
JP	D1619248	*	12/2018

**OTHER PUBLICATIONS**

Dewalt Heavy Duty Walkie-Talkies, by Rob Robillard, posted by Tool Box Buzz, Posted Nov. 9, 2018, [online], [site visited Sep. 20, 2020]. Internet URL: <https://www.toolboxbuzz.com/safety-work-wear/work-support/dewalt-heavy-duty-walkie-talkies/> (Year: 2018).\*

(Continued)

*Primary Examiner* — Jeffrey D Asch

(74) *Attorney, Agent, or Firm* — Adan Ayala

(57) **CLAIM**

The ornamental design for a communication device, as shown and described.

**DESCRIPTION**

FIG. 1 is a front perspective view of a communication device according to the invention.

FIG. 2 is a front view of the communication device of FIG. 1.

FIG. 3 is a rear view of the communication device of FIG. 1.

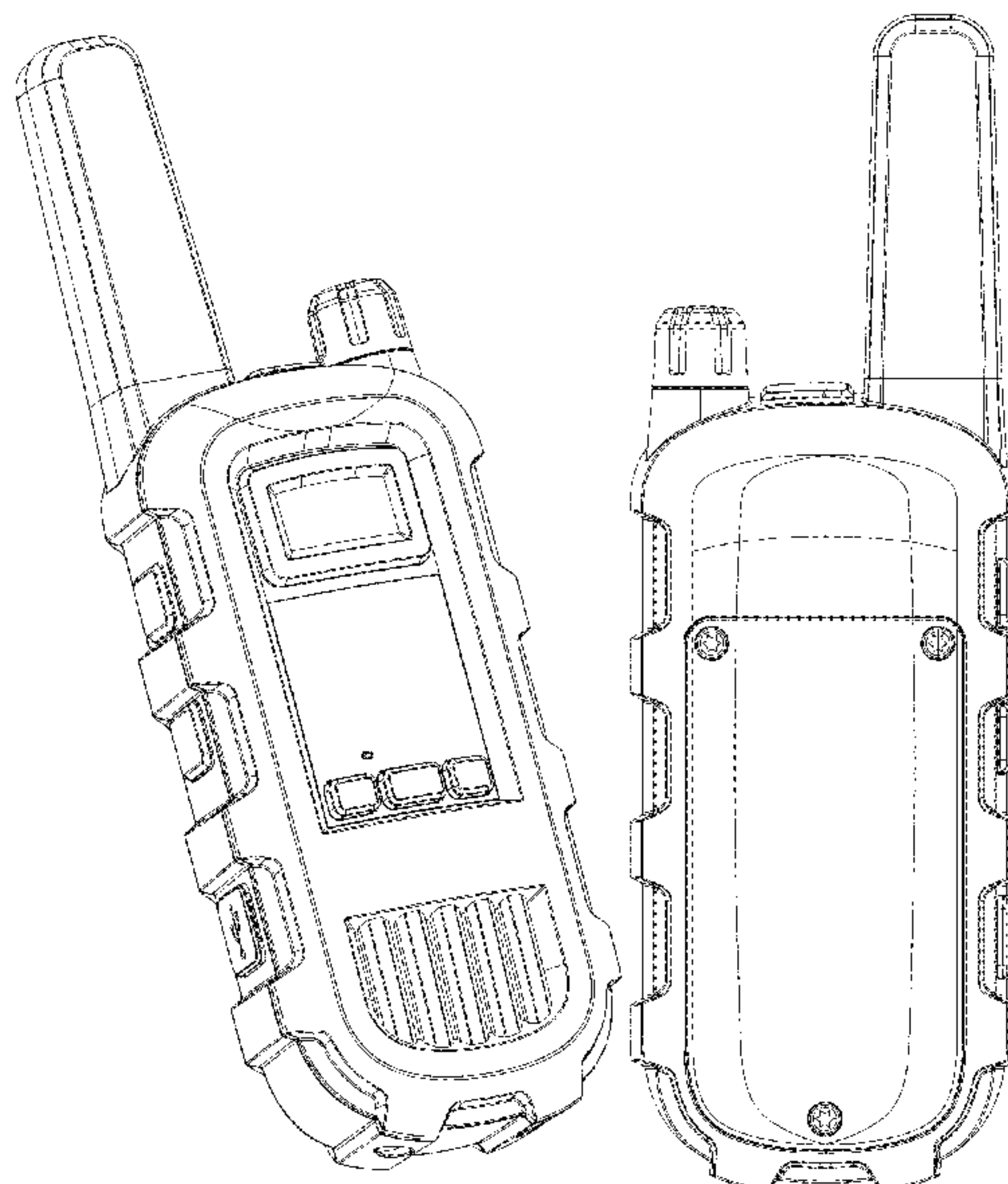
FIG. 4 is a left side view of the communication device of FIG. 1.

FIG. 5 is a right side view of the communication device of FIG. 1.

FIG. 6 is a top plan view of the communication device of FIG. 1; and,

FIG. 7 is a bottom plan view of the communication device of FIG. 1.

**1 Claim, 7 Drawing Sheets**



(56)

**References Cited**

## U.S. PATENT DOCUMENTS

D721,861 S \* 1/2015 Guo ..... D30/199  
D737,004 S \* 8/2015 Russell ..... D30/199  
D744,457 S \* 12/2015 Vuorio ..... D14/226  
D794,609 S \* 8/2017 Meyer ..... D14/218  
D795,214 S \* 8/2017 Tschopp ..... D14/138 G  
D805,701 S \* 12/2017 Li ..... D30/199  
D813,473 S \* 3/2018 Ni ..... D30/199  
D815,372 S \* 4/2018 Goetzl ..... D30/199  
D831,601 S \* 10/2018 Ooi ..... D14/137  
10,129,711 B1 \* 11/2018 Saadoun ..... H04L 65/4061  
D863,242 S \* 10/2019 Gordon ..... D14/137  
D878,315 S \* 3/2020 Zhou ..... D14/137  
D879,390 S \* 3/2020 Cai ..... D30/199  
D883,829 S \* 5/2020 Nytko ..... D10/104.1  
D884,995 S \* 5/2020 Ni ..... D30/199  
D900,048 S \* 10/2020 Huang ..... D14/137  
2019/0337132 A1 \* 11/2019 Curtis ..... B25C 1/188

## OTHER PUBLICATIONS

Motorola Talkabout T402 Rechargeable Two-way Radios (2-pack),  
posted on Amazon.com, first available Jun. 27, 2016, [online], [site  
visited Sep. 20, 2020]. Internet URL: [https://www.amazon.com/  
Motorola-Talkabout-T402-Rechargeable-Two-Way/dp/  
B01D6OAH61](https://www.amazon.com/Motorola-Talkabout-T402-Rechargeable-Two-Way/dp/B01D6OAH61) (Year: 2016).\*

\* cited by examiner

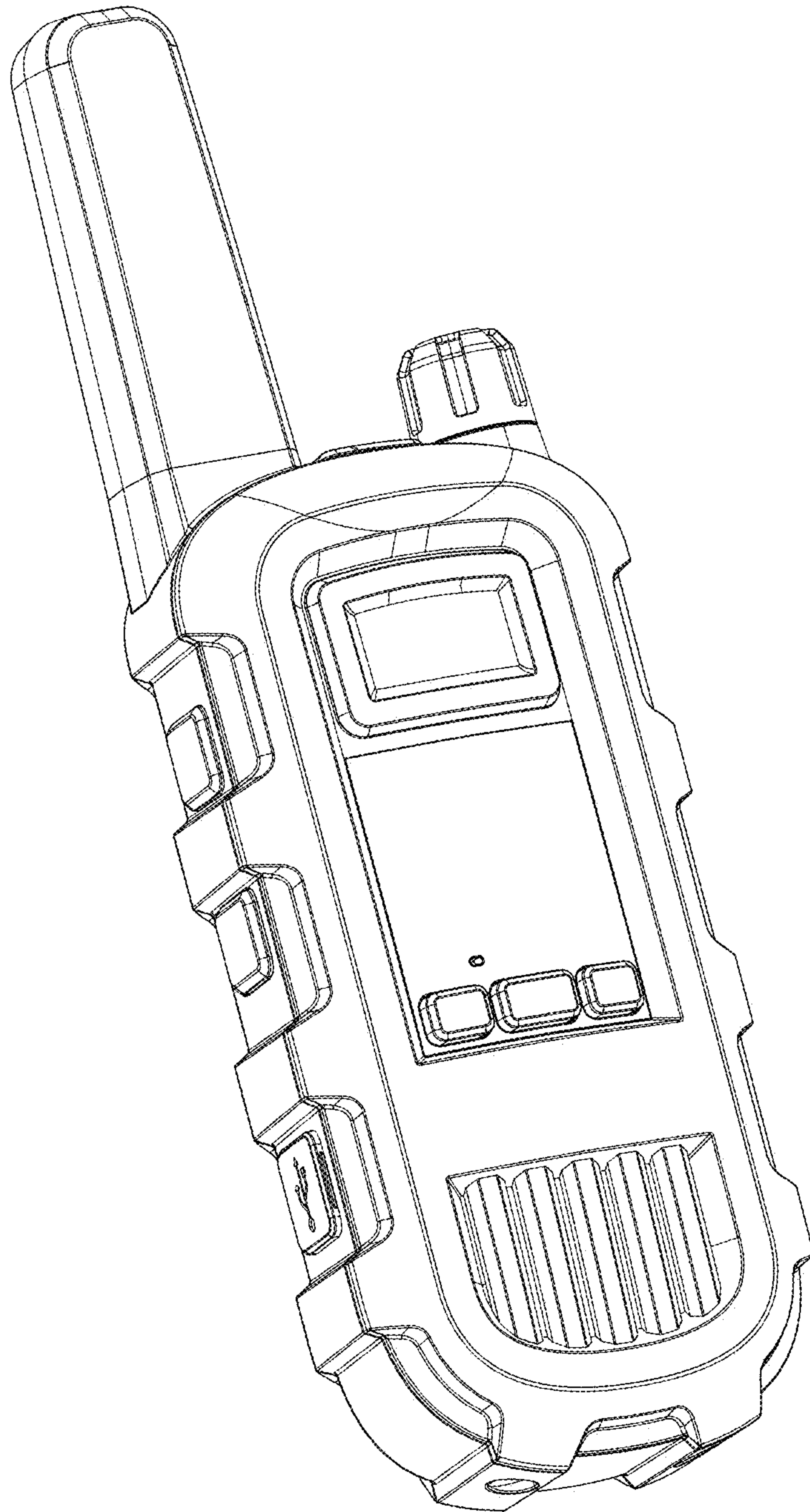


FIG. 1



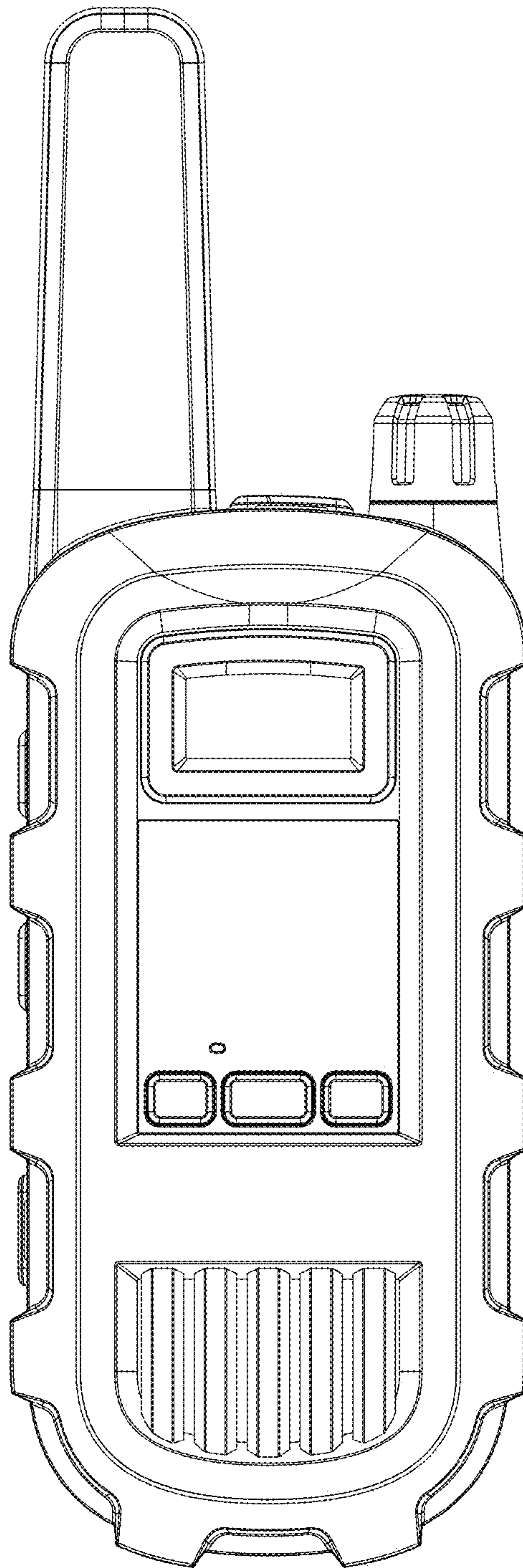


FIG. 2

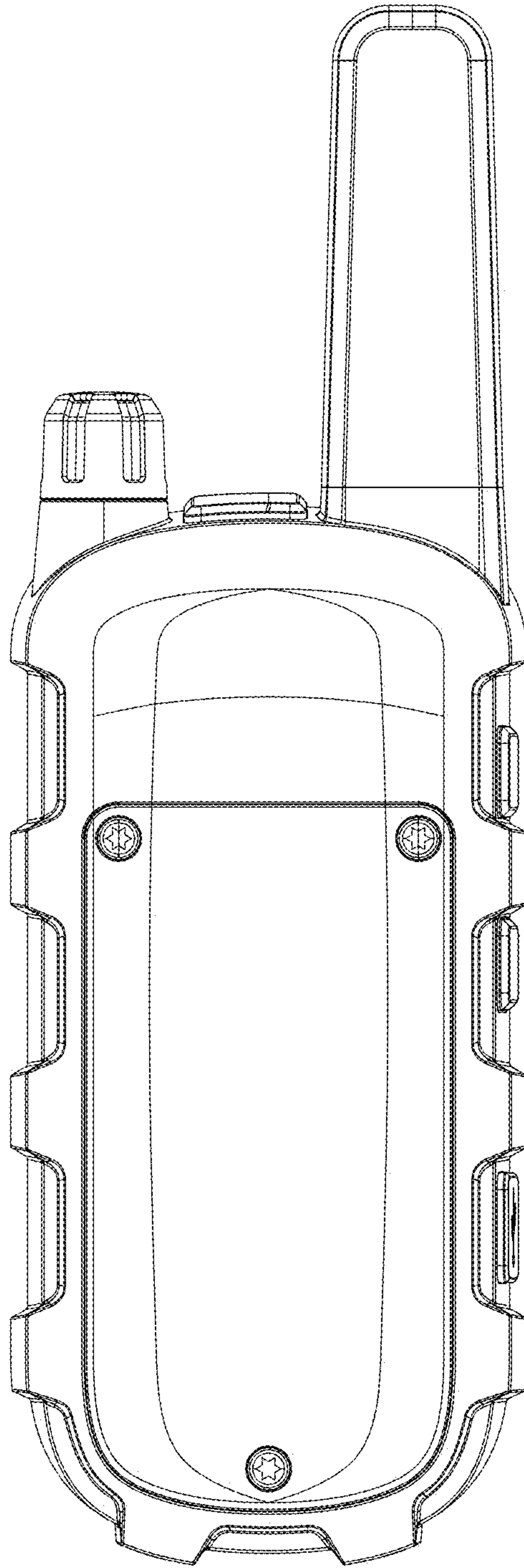


FIG. 3

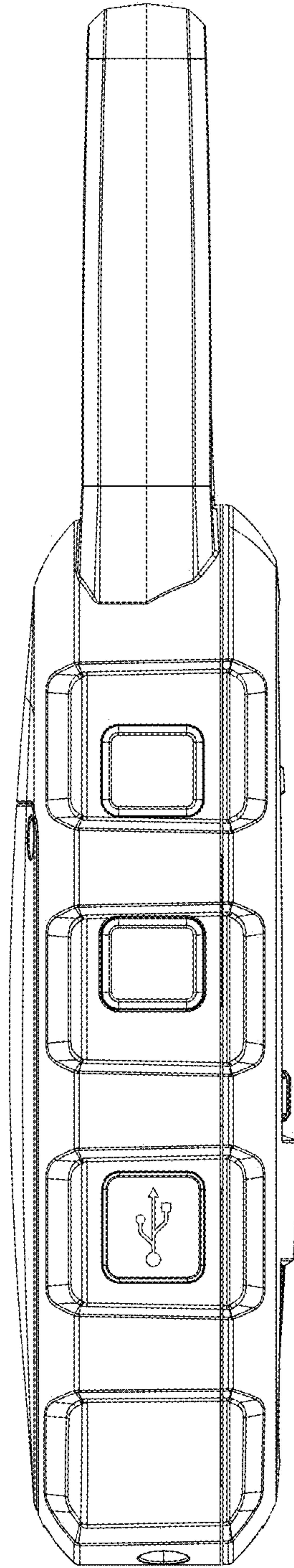


FIG. 4

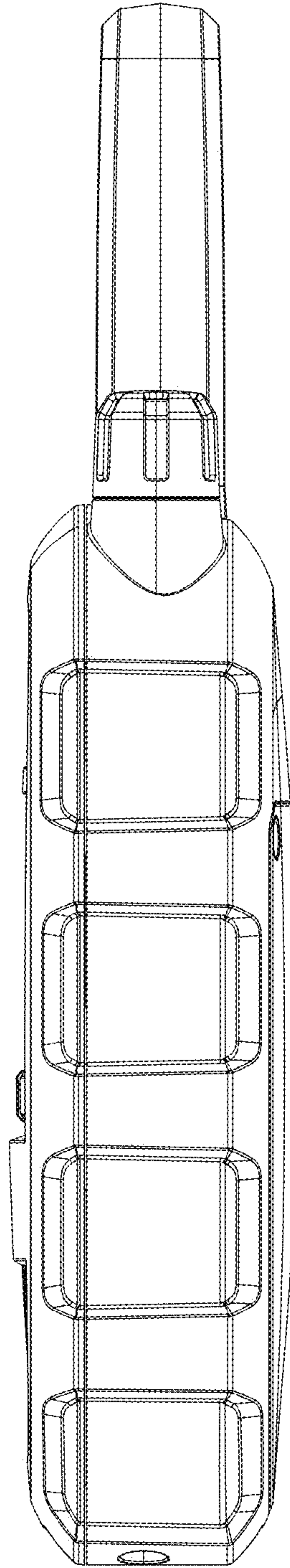


FIG. 5

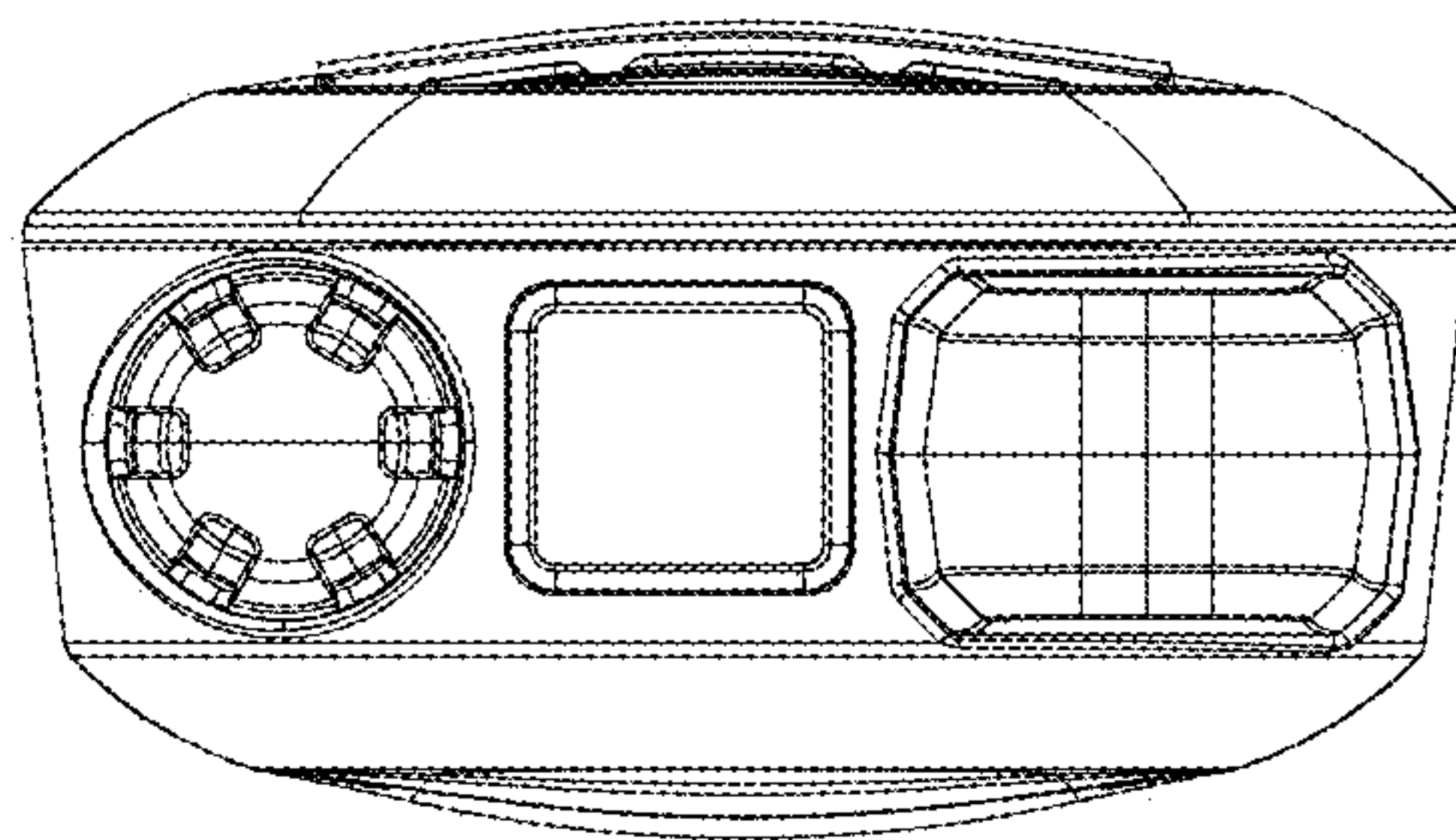


FIG. 6



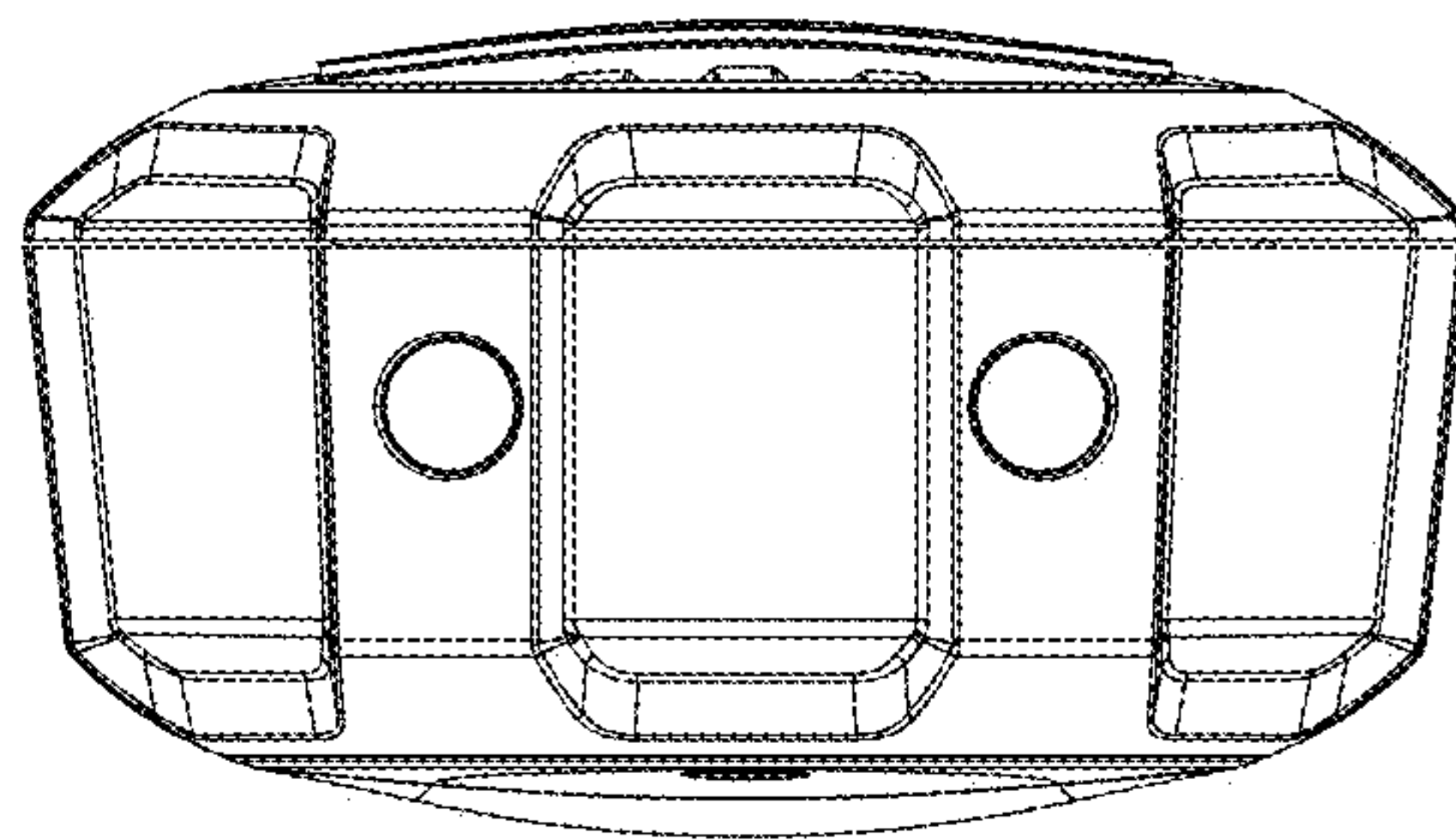


FIG. 7